

0CB10-M83600EN

Contents

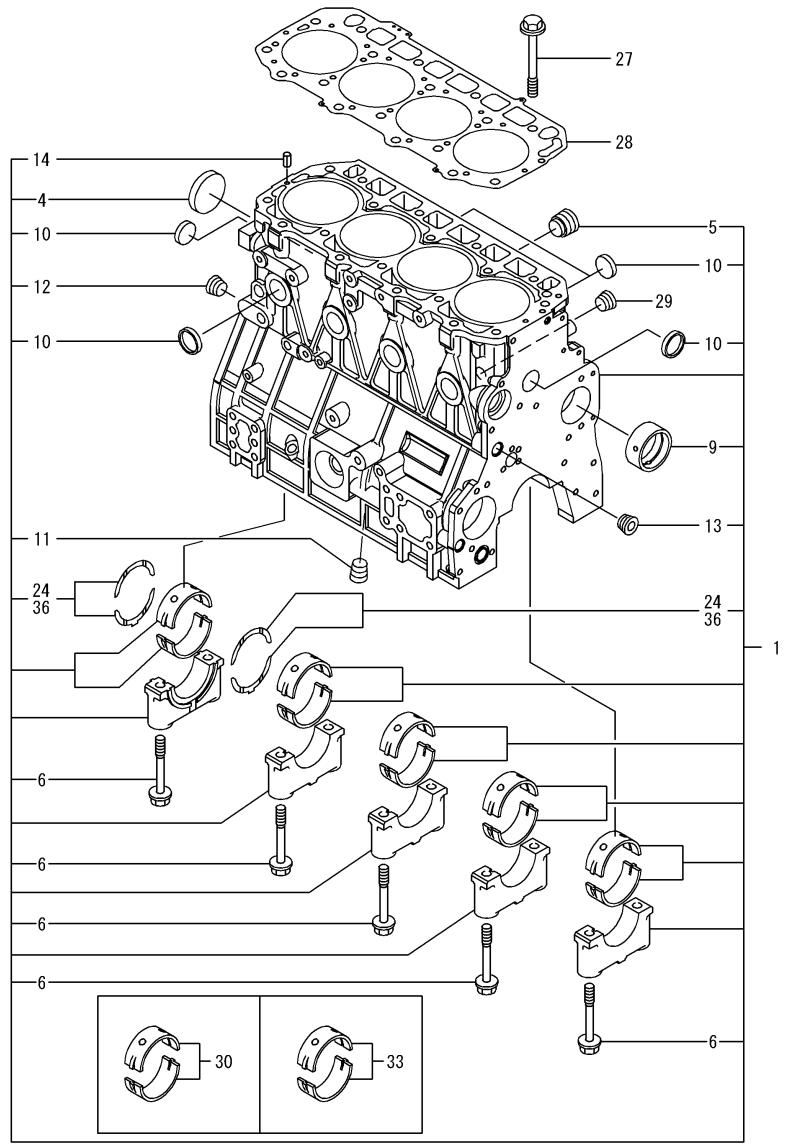
OCB10-M83600

Fig. No.	Fig. Name	Fig. No.	Fig. Name
4	TNV98T-ZSBV2		
1.	CYLINDER BLOCK		
2.	GEAR HOUSING		
3.	FLYWHEEL HOUSING & OIL SUMP		
4.	CYLINDER HEAD & BONNET		
5.	SUCTION MANIFOLD		
6.	EXHAUST MANIFOLD & SILENCER		
7.	CAMSHAFT & DRIVING GEAR		
8.	TURBINE		
9.	CRANKSHAFT & PISTON		
10.	LUB.OIL SYSTEM		
11.	LUB.OIL PIPING		
12.	COOLING WATER SYSTEM		
13.	FUEL INJECTION PUMP		
14.	GOVERNOR		
15.	FUEL INJECTION VALVE		
16.	FUEL OIL PIPING		
17.	STARTING MOTOR		
18.	GENERATOR		
19.	ELECTRONIC CONTROL UNIT(ECU)		
20.	GASKET SET & TOOLS		

Fig.1. CYLINDER BLOCK

(A)=4TNV98T-ZSBV2
(B)=
(C)=

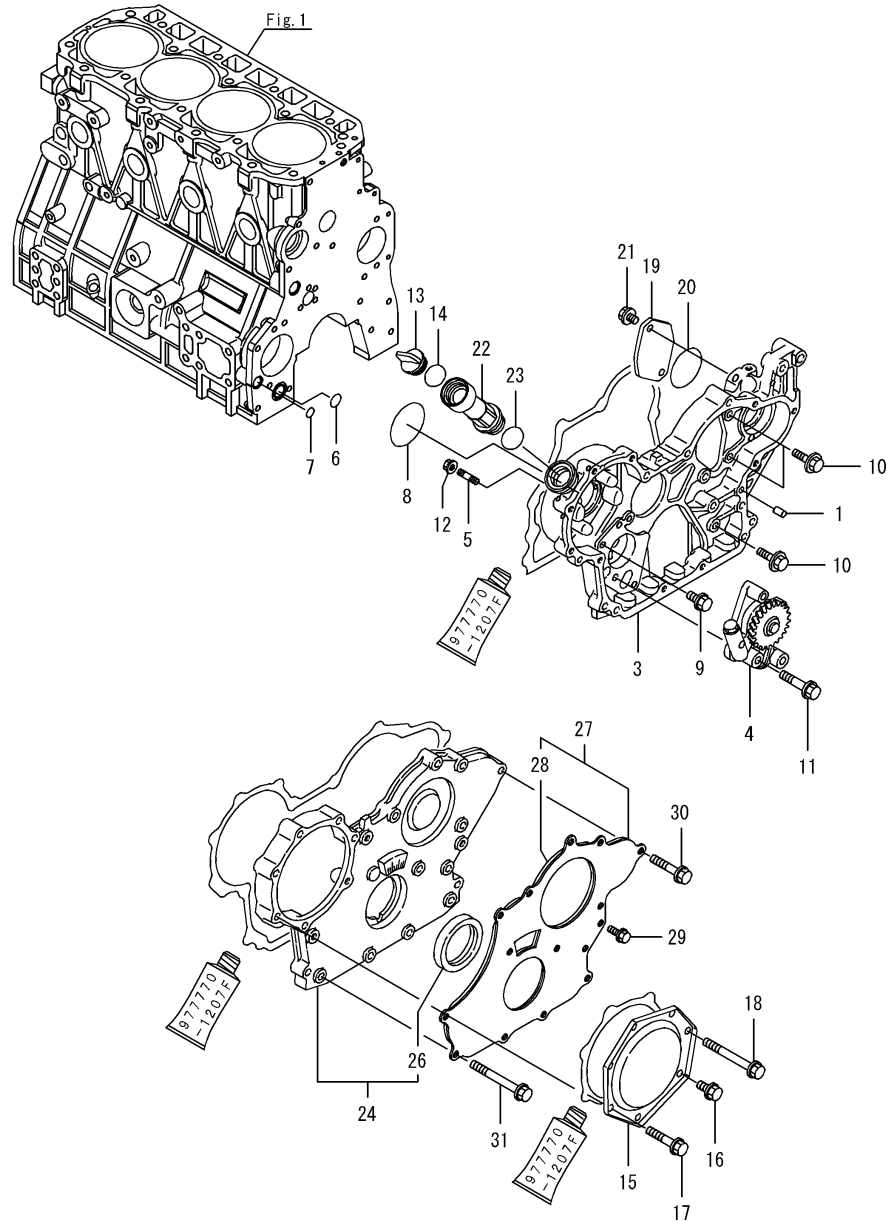
(D)=
(E)=
(F)=



No.	Lev.	Parts No.	Description	Q'ty						I	R
				(A)	(B)	(C)	(D)	(E)	(F)		
1	1	729928-01560	BLOCK ASSY, CYLINDER	1							
4	3	129900-01250	PLUG, 55	1							
5	3	171051-01921	PLUG, NPTF1	1							
6	3	129900-02020	BOLT, METAL CAP	10							
9	3	129900-02410	BUSH, CAMSHAFT	1							
10	3	27241-300000	PLUG 30	8							
11	2	23876-030000	PLUG, R03	1							
12	2	23876-030000	PLUG, R03	1							
13	2	23876-030000	PLUG, R03	1							
14	2	22351-060012	PIN, SPRING 6.0X12	2							
24	2	129900-02931	BEARING, THRUST	2							
27	1	129900-01200	BOLT, HEAD	18							
28	1	129907-01331	GASKET, HEAD	1							
29	1	23876-030000	PLUG, R03	1							
30	1	729900-02801	BEARING, MAIN	5							1
33	1	129900-02341	BEARING, 0.25 US	5							2
36	1	129900-02941	BEARING, THRUST 0.25	2							3

Remarks
 (1) Spare parts.
 (2) Under sized(U.S.=0.25)parts.
 (3) Over sized(U.S.=0.25)parts.

Fig.2. GEAR HOUSING



(A)=4TNV98T-ZSBV2

(B)=

(C)=

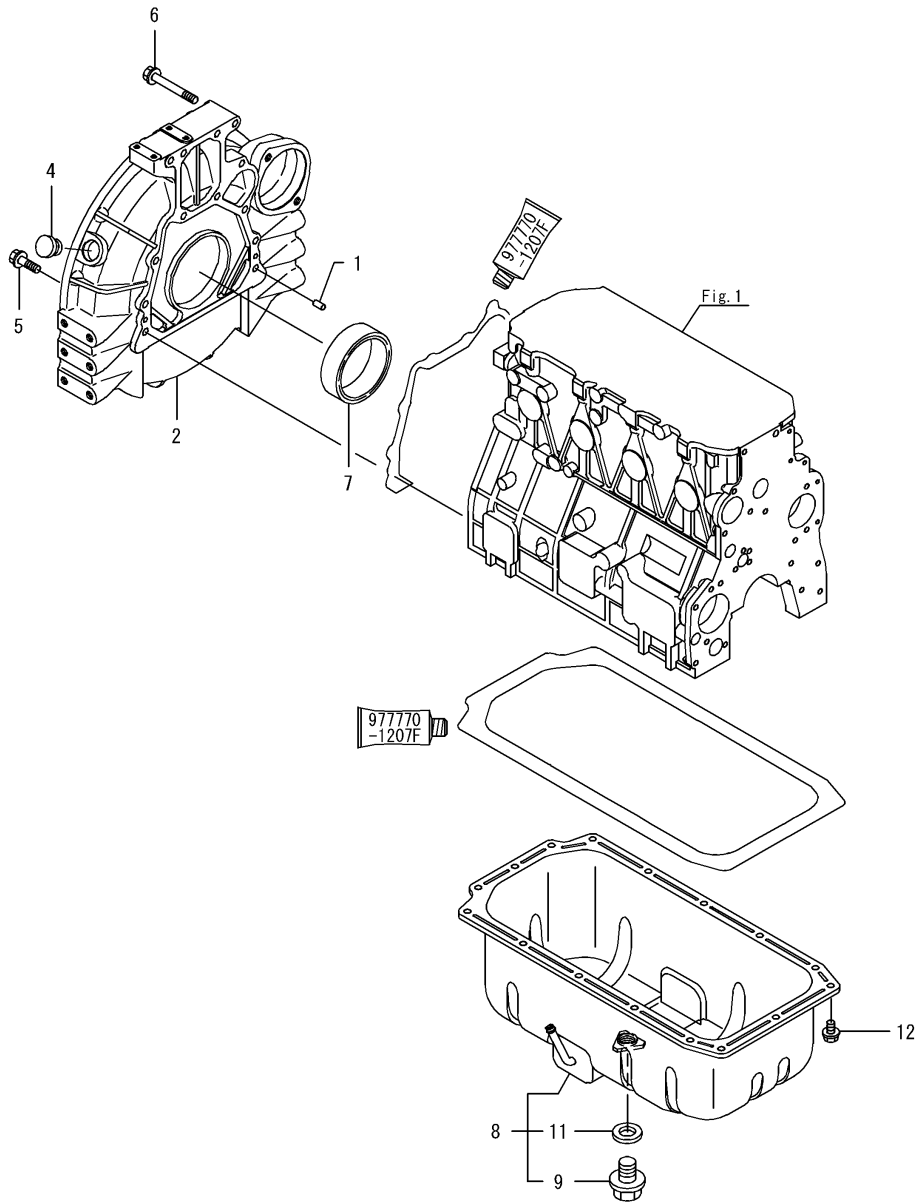
(D)=

(E)=

(F)=

No.	Lev.	Parts No.	Description	Q'ty						I	R
				(A)	(B)	(C)	(D)	(E)	(F)		
1	1	129100-01580	PIN, M8X16	4							
3	1	129972-01500	CASE, GEAR	1							
4	1	129908-32060	PUMP ASSY, OIL	1							
5	1	26216-100302	STUD, M10X 30	4							
6	1	129900-32030	O-RING, P20	1							
7	1	129900-32040	O-RING, P14	1							
8	1	24351-030750	O-RING, 1A3075	1							
9	1	26106-080162	BOLT, M8X 16 PLATED	1							
10	1	26106-080202	BOLT, M8X 20 PLATED	3							
11	1	26106-080452	BOLT, M8X 45 PLATED	3							
12	1	26306-100002	NUT, M10	4							
13	1	124160-01751	COVER, FILLER	1							
14	1	24311-000320	O-RING, 1AP32.0	1							
15	1	129951-01740	COVER	1							
16	1	26106-080202	BOLT, M8X 20 PLATED	1							
17	1	26106-080402	BOLT, M8X 40 PLATED	5							
18	1	26106-080752	BOLT, M8X 75 PLATED	1							
19	1	129930-01870	COVER	1							
20	1	24321-000850	O-RING, 1AG85.0	1							
21	1	26106-100202	BOLT, M10X 20 PLATED	2							
22	1	121027-11743	PIPE	1							
23	1	24311-000320	O-RING, 1AP32.0	1							
24	1	729906-01550	COVER ASSY,GEAR CASE	1							
26	2	129916-01800	SEAL, OIL	1							
27	1	129900-01850	COVER ASSY,GEAR CASE	1							
28	2	129900-01870	SPONGE	1							
29	1	26106-080162	BOLT, M8X 16 PLATED	3							
30	1	26106-080452	BOLT, M8X 45 PLATED	5							
31	1	26106-080702	BOLT, M8X 70 PLATED	6							

Fig.3. FLYWHEEL HOUSING & OIL SUMP

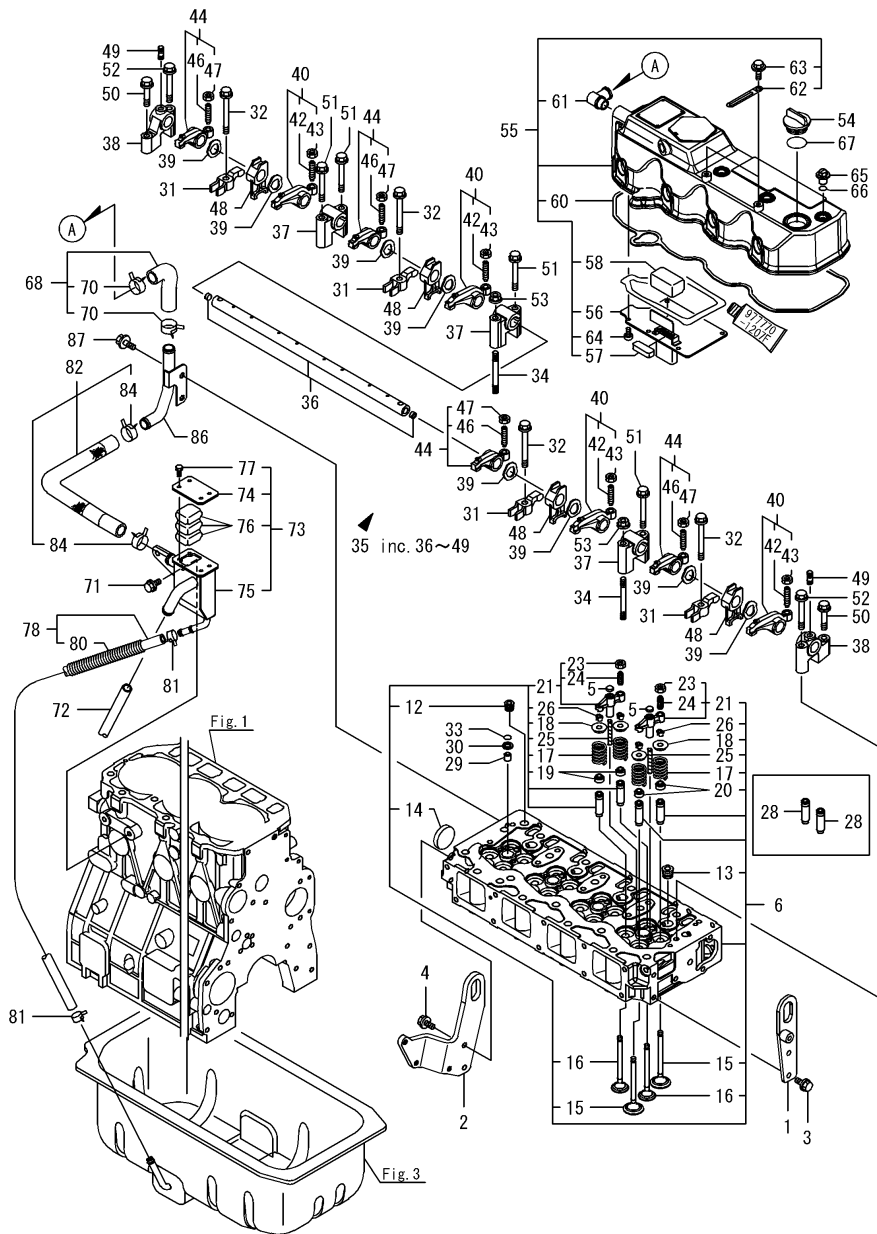


(A)=4TNV98T-ZSBV2
(B)=
(C)=

(D)=
(E)=
(F)=

No.	Lev.	Parts No.	Description	Q'ty						I	R
				(A)	(B)	(C)	(D)	(E)	(F)		
1	1	129100-01580	PIN, M8X16	2							
2	1	129953-01620	HOUSING, FLYWHEEL	1							
4	1	119620-01750	CAP	1							
5	1	26206-100352	BOLT, M10X 35 PLATED	9							
6	1	26206-100702	BOLT, M10X 70 PLATED	4							
7	1	129916-01790	SEAL, D115/95XT11	1							
8	1	129948-01740	SUMP ASSY, OIL	1							
9	2	119640-01640	PLUG, DRAIN M22	1							
11	2	22190-220002	WASHER, SEAL 22	1							
12	1	26106-080122	BOLT, M8X 12 PLATED	16							

Fig.4. CYLINDER HEAD & BONNET



(A)=4TNV98T-ZSBV2

(B)=

(C)=

(D)=

(E)=

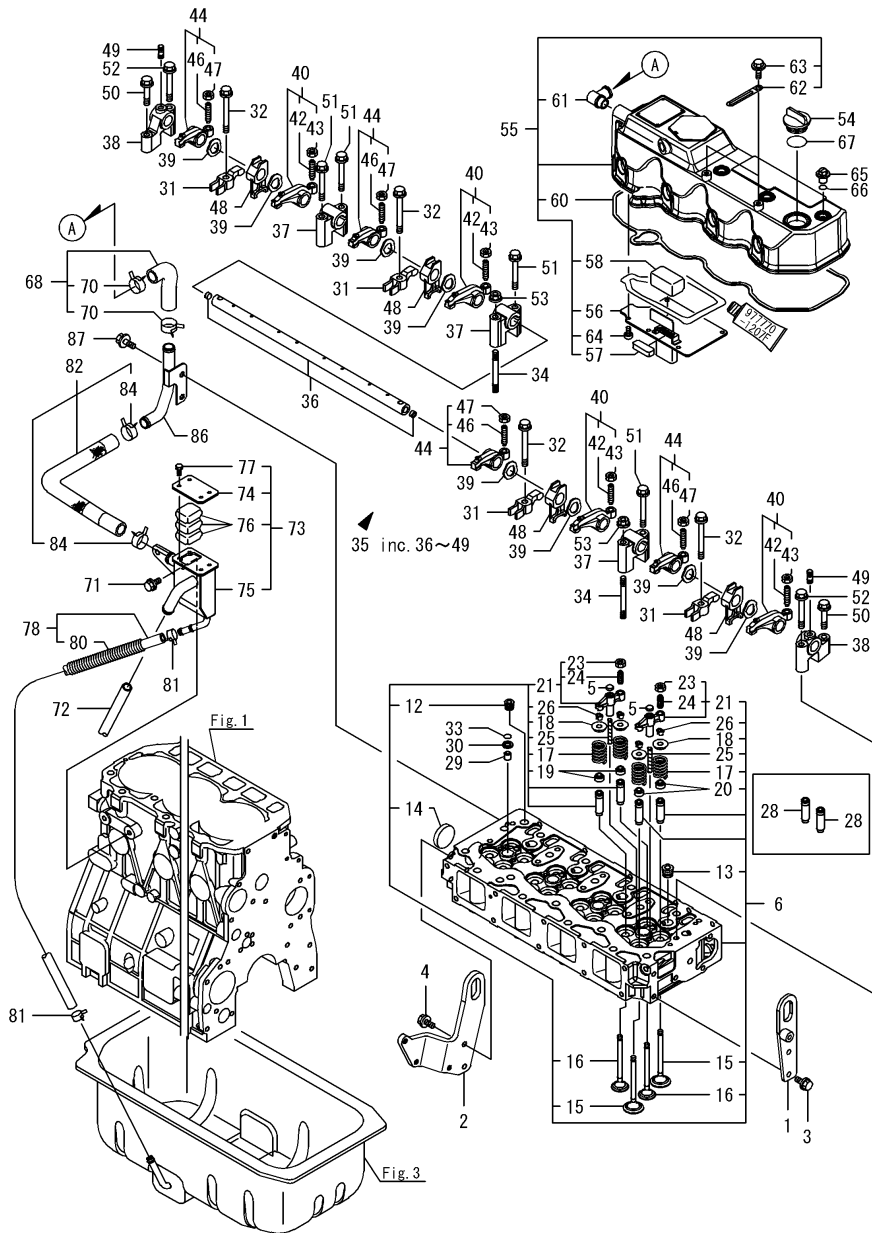
(F)=

No.	Lev.	Parts No.	Description	Qty						I	R
				(A)	(B)	(C)	(D)	(E)	(F)		
1	1	129648-07900	LIFTER	1							
2	1	129928-07900	LIFTER	1							
3	1	26106-080162	BOLT, M8X 16 PLATED	2							
4	1	26106-080202	BOLT, M8X 20 PLATED	2							
5	1	123907-11550	SEAT, VALVE BRIDGE	8							
6	1	129928-11700	HEAD ASSY, CYLINDER	1							
12	2	23876-020000	PLUG, R02	1							
13	2	23876-030000	PLUG, R03	4							
14	2	27241-400000	PLUG, 40	1							
15	2	129907-11100	VALVE, INTAKE	8							
16	2	129907-11110	VALVE, EXHAUST	8							
17	2	129907-11120	SPRING, VALVE	16							
18	2	119620-11180	RETAINER, SPRING	16							
19	2	119803-11340	SEAL, VALVE STEM	8							
20	2	124160-11340	SEAL, VALVE STEM	8							
21	2	129907-11510	BRIDGE ASSY, VALVE	8							
23	3	129150-11750	NUT, M8	8							
24	3	123907-11830	ADJUSTER	8							
25	2	123907-11820	GUIDE	8							
26	2	27310-070001	COTTER, 7	16							
28	1	129907-11800	GUIDE, VALVE	16							1
29	1	119802-11870	PROTECTOR, NOZZLE	4							
30	1	119625-11880	SEAT, NOZZLE	4							
31	1	129907-11910	RETAINER, NOZZLE	4							
32	1	129907-11950	BOLT, M8X75	4							
33	1	24311-000120	O-RING, 1AP12.0	4							
34	1	119593-11301	STUD, M8X80	2							
35	1	129907-11341	SHAFT ASSY, ROCKER	1							
36	2	129907-11250	SHAFT, ROCKER ARM	1							
37	2	129907-11260	SUPPORT, ROCKER ARM	3							
38	2	129907-11270	SUPPORT, ROCKER ARM	2							
39	2	123907-11280	WASHER	8							
40	2	129907-11650	ARM, ROCKER	4							
42	3	129150-11230	SCREW, VALVE ADJUST	4							
43	3	129150-11750	NUT, M8	4							
44	2	129907-11660	ARM, ROCKER	4							
46	3	129150-11230	SCREW, VALVE ADJUST	4							
47	3	129150-11750	NUT, M8	4							
48	2	129907-11920	RETAINER	4							
49	2	26226-080222	STUD, M8X 22	2							
50	1	26106-080402	BOLT, M8X 40 PLATED	2							
51	1	26106-080602	BOLT, M8X 60 PLATED	4							
52	1	26106-080602	BOLT, M8X 60 PLATED	2							
53	1	26306-080002	NUT, M8	2							
54	1	124160-01751	COVER, FILLER	1							
55	1	129928-11320	BONNET ASSY, HEAD	1							
56	2	129907-03011	PLATE	1							
57	2	129907-03061	BAFFLE, BREATHER	1							
58	2	129907-03070	BAFFLE, BREATHER	1							
60	2	129933-11310	GASKET, BONNET	1							
61	2	119100-11330	ELBOW	1							

Remarks

(1) Spare parts.

Fig.4. CYLINDER HEAD & BONNET



(A)=4TNV98T-ZSBV2

(B)=

(C)=

(D)=

(E)=

(F)=

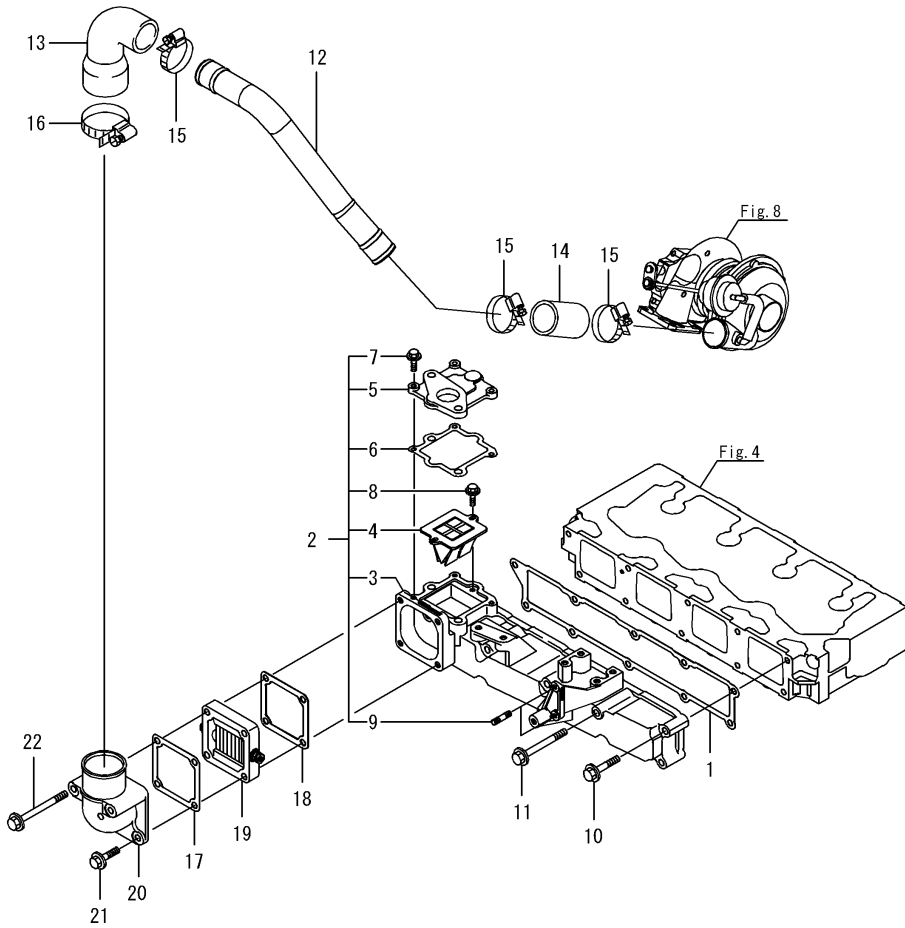
No.	Lev.	Parts No.	Description	Q'ty						I	R
				(A)	(B)	(C)	(D)	(E)	(F)		
62	2	129509-79700	CLIP	2							
63	2	26106-060122	BOLT, M6X 12 PLATED	2							
64	2	22857-500100	SCREW, 5X10	6							
65	1	124160-11360	KNOB	4							
66	1	24311-000120	O-RING, 1AP12.0	4							
67	1	24311-000320	O-RING, 1AP32.0	1							
68	1	129928-03060	HOSE ASSY, BREATHER	1							
70	2	129410-03990	CLIP	2							
71	1	26106-080142	BOLT, M8X 14 PLATED	2							
72	1	23065-160950	PIPE, 16X 950	1							
73	1	129972-03240	SEPARATOR ASSY, MIST	1							
74	2	129972-03220	COVER, SEPARATOR	1							
75	2	129972-03230	SEPARATOR, MIST	1							
76	2	123901-03240	FILTER	3							
77	2	26116-050102	BOLT, M5X 10 PLATED	4							
78	1	123912-03300	HOSE ASSY, RETURN	1							
80	2	123912-03270	TUBE, CORRUGATED	1							
81	1	23000-019000	CLAMP, 19	2							
82	1	129928-03080	HOSE ASSY, BREATHER	1							
84	2	129410-03990	CLIP	2							
86	1	129928-03050	PIPE, BREATHER	1							
87	1	26106-080122	BOLT, M8X 12 PLATED	2							

Remarks

(1) Spare parts.

N:Old $\begin{matrix} \text{Yes} \\ \text{No} \end{matrix}$ New, Q:Old $\begin{matrix} \text{No} \\ \text{Yes} \end{matrix}$ New, R:Old $\begin{matrix} \text{Yes} \\ \text{No} \end{matrix}$ New, S:Old $\begin{matrix} \text{No} \\ \text{Yes} \end{matrix}$ New, W:Add, Z:Discontinued, F:Interchangeable by set, K:Q'ty Change

Fig.5. SUCTION MANIFOLD



(A)=4TNV98T-ZSBV2
(B)=
(C)=

(D)=
(E)=
(F)=

No.	Lev.	Parts No.	Description	Q'ty						I	R
				(A)	(B)	(C)	(D)	(E)	(F)		
1	1	129907-12110	GASKET, MANIFOLD	1							
2	1	129928-12150	MANIFOLD ASSY,INTAKE	1							
3	2	129928-12100	MANIFOLD, AIR INTAKE	1							
4	2	129928-13700	VALVE	1							
5	2	129928-13710	SPACER	1							
6	2	129928-13720	GASKET	1							
7	2	26106-060202	BOLT, M6X 20 PLATED	3							
8	2	26106-060202	BOLT, M6X 20 PLATED	2							
9	2	26216-060202	STUD, M6X 20	2							
10	1	26106-080452	BOLT, M8X 45 PLATED	6							
11	1	26106-080802	BOLT, M8X 80 PLATED	4							
12	1	129948-18220	DUCT, SUCTION	1							
13	1	129949-18210	JOINT, RUBBER	1							
14	1	123951-18220	JOINT, RUBBER	1							
15	1	23000-054000	CLAMP, 54	3							
16	1	23000-070000	CLAMP, 70	1							
17	1	119129-77020	GASKET	1							
18	1	121850-77021	GASKET	1							
19	1	119005-77051	HEATER	1							
20	1	119129-77520	BEND	1							
21	1	26106-080402	BOLT, M8X 40 PLATED	2							
22	1	26106-080902	BOLT, M8X 90 PLATED	2							

Fig.6. EXHAUST MANIFOLD & SILENCER

(A)=4TNV98T-ZSBV2

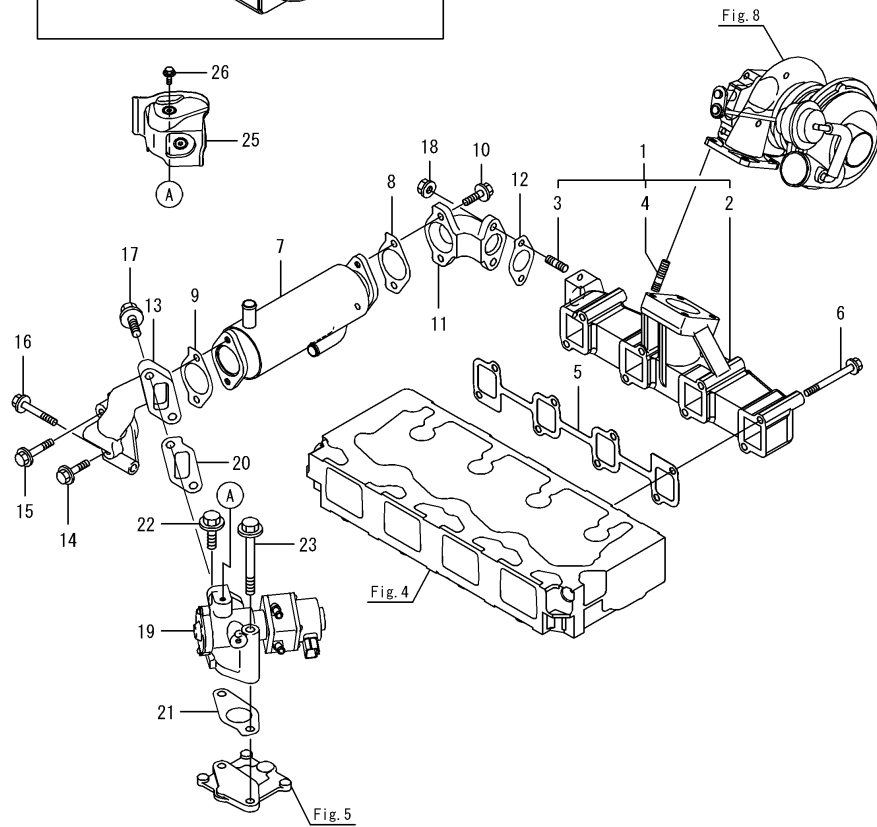
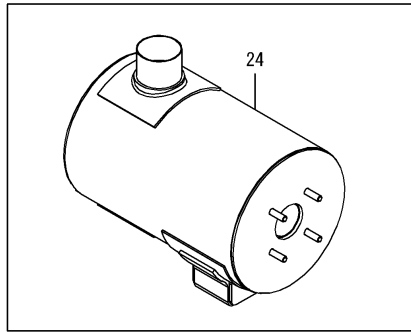
(B)=

(C)=

(D)=

(E)=

(F)=



No.	Lev.	Parts No.	Description	Q'ty						I	R
				(A)	(B)	(C)	(D)	(E)	(F)		
1	1	129948-13150	MANIFOLD ASSY	1							
2	2	129948-13100	MANIFOLD, EXHAUST	1							
3	2	129418-18320	STUD, M8X20	2							
4	2	119131-18320	STUD, M8X22	4							
5	1	129900-13251	GASKET	1							
6	1	123900-13630	BOLT, M8X80	8							
7	1	129928-13400	COOLER, EGR	1							
8	1	129928-13410	GASKET	1							
9	1	129928-13410	GASKET	1							
10	1	119802-13790	BOLT, M8X25 10.9T	2							
11	1	129928-13800	PIPE	1							
12	1	129927-13810	GASKET	1							
13	1	129928-13810	PIPE	1							
14	1	26106-080352	BOLT, M8X 35 PLATED	1							
15	1	26106-080452	BOLT, M8X 45 PLATED	1							
16	1	26106-080552	BOLT, M8X 55 PLATED	2							
17	1	26106-100252	BOLT, M10X 25 PLATED	2							
18	1	26306-080002	NUT, M8	2							
19	1	129927-13900	VALVE	1							
20	1	129927-13910	GASKET	1							
21	1	129927-13920	GASKET	1							
22	1	26106-100402	BOLT, M10X 40 PLATED	1							
23	1	26106-101052	BOLT, M10X105 PLATED	1							
24	1	129948-13540	SILENCER	1							1
25	1	129927-13960	COVER	1							
26	1	26106-060142	BOLT, M6X 14 PLATED	2							

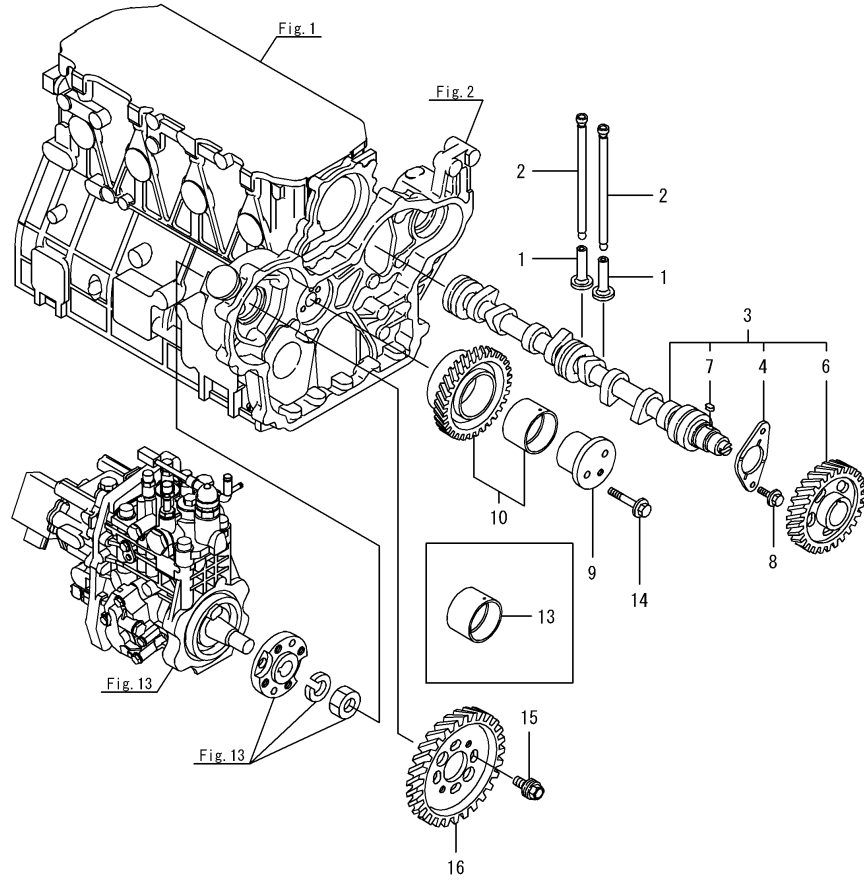
Remarks

(1) It is an accessory.

Fig.7. CAMSHAFT & DRIVING GEAR

(A)=4TNV98T-ZSBV2
(B)=
(C)=

(D)=
(E)=
(F)=



No.	Lev.	Parts No.	Description	Q'ty						I	R
				(A)	(B)	(C)	(D)	(E)	(F)		
1	1	129150-14200	TAPPET	8							
2	1	129907-14400	ROD, PUSH	8							
3	1	129908-14581	CAMSHAFT ASSY	1							
4	2	129150-02450	BEARING, THRUST	1							
6	2	129900-14100	GEAR, CAMSHAFT	1							
7	2	22512-070140	KEY, 7X 14	1							
8	1	26106-080162	BOLT, M8X 16 PLATED	2							
9	1	123900-25060	SHAFT, IDLE GEAR	1							
10	1	129900-25100	GEAR ASSY, IDLE	1							
13	1	129150-25920	BUSH, IDLE GEAR	1							1
14	1	26106-080552	BOLT, M8X 55 PLATED	3							
15	1	129953-25300	BOLT	4							
16	1	129907-25900	GEAR, PUMP	1							

Remarks

(1) Spare parts.

N:Old $\xrightarrow{\text{Yes}}$ New, Q:Old $\xrightarrow{\text{No}}$ New, R:Old $\xrightarrow{\text{Yes}}$ New, S:Old $\xrightarrow{\text{No}}$ New, W:Add, Z:Discontinued, F:Interchangeable by set, K:Q'ty Change

Fig.8. TURBINE

(A)=4TNV98T-ZSBV2

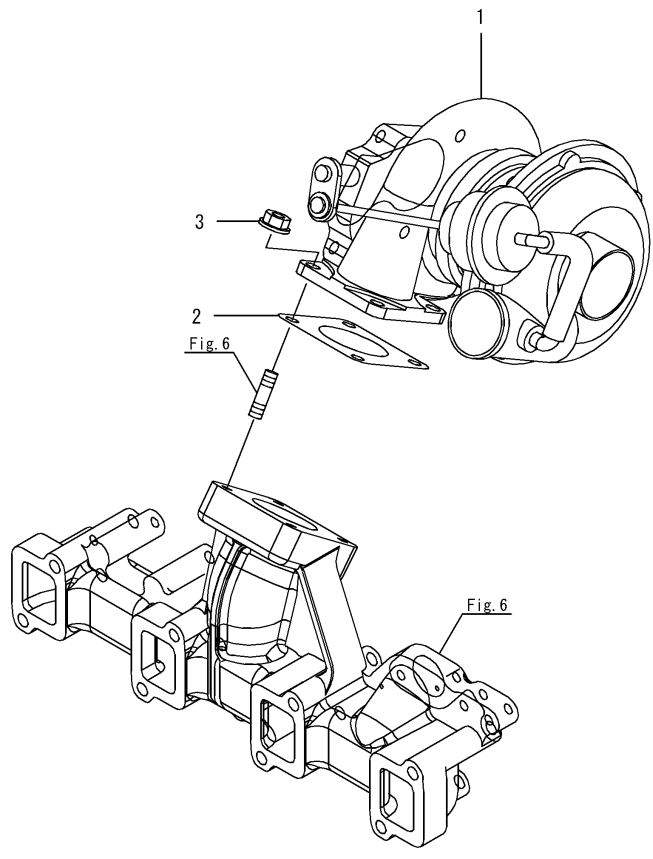
(B)=

(C)=

(D)=

(E)=

(F)=



No.	Lev.	Parts No.	Description	Q'ty							
				(A)	(B)	(C)	(D)	(E)	(F)		
1	1	129908-18010	TURBINE, RHF5	1							
2	1	129472-18090	GASKET	1							
3	1	26306-080002	NUT, M8	4							

Fig.9. CRANKSHAFT & PISTON

(A)=4TNV98T-ZSBV2

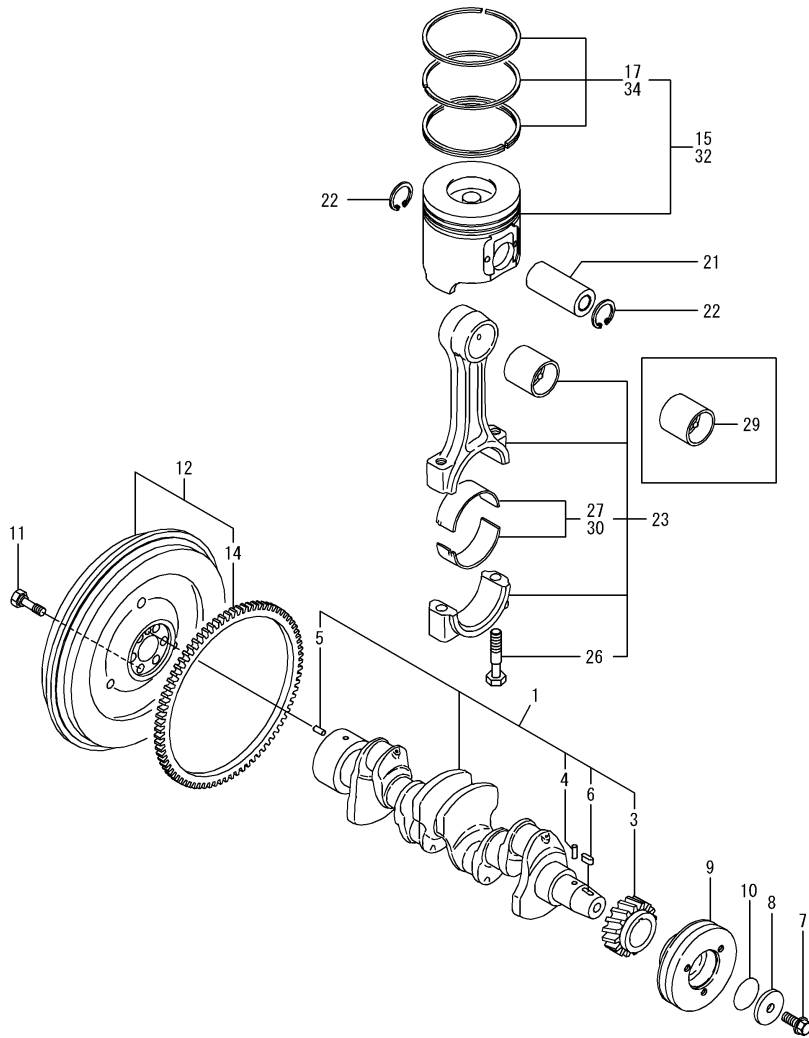
(B)=

(C)=

(D)=

(E)=

(F)=



No.	Lev.	Parts No.	Description	Q'ty						I	R
				(A)	(B)	(C)	(D)	(E)	(F)		
1	1	129908-21000	CRANKSHAFT ASSY	1							
3	2	129900-21200	GEAR, CRANKSHAFT	1							
4	2	121850-21290	PIN	1							
5	2	121850-21920	PIN, M10X22	1							
6	2	22512-070140	KEY, 7X 14	1							
7	1	129916-21610	BOLT	1							
8	1	129960-21940	WASHER, V-PULLEY	1							
9	1	129938-21650	V-PULLEY	1							
10	1	129960-21930	PACKING, WASHER	1							
11	1	121850-21130	BOLT, FLYWHEEL	6							
12	1	129953-21581	FLYWHEEL ASSY	1							
14	2	129900-21600	GEAR, RING	1							
15	1	129928-22080	PISTON ASSY	4							
17	2	129927-22050	RING SET, PISTON	4							
21	1	120130-22301	PIN, PISTON	4							
22	1	22252-000300	RING, 30	8							
23	1	129900-23001	ROD ASSY, CONNECTING	4							
26	2	129900-23200	BOLT, CONNECTING ROD	8							
27	2	129900-23601	BEARING, CRANK PIN	4							
29	1	129900-23911	BEARING, PISTON PIN	4							1
30	1	129900-23611	BEARING, 0.25 US	4							2
32	1	729928-22900	PISTON ASSY, 0.25 OS	4							3
34	2	729927-22950	RING SET, 0.25 OS	4							3

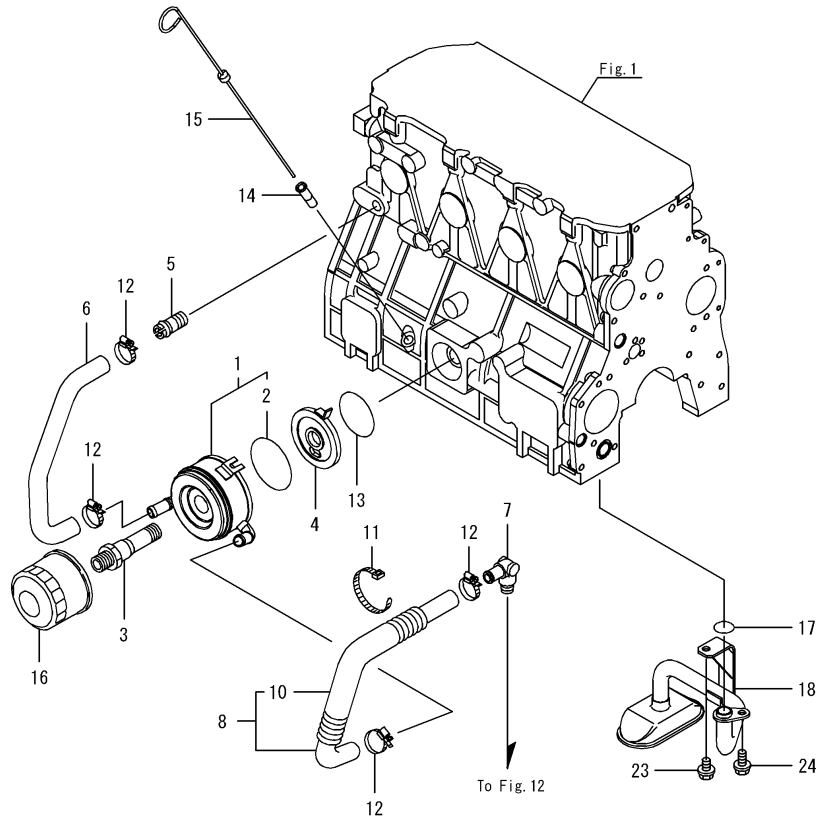
Remarks

- (1) Spare parts.
- (2) Under sized(U.S.=0.25)parts.
- (3) Over sized(U.S.=0.25)parts.

Fig.10. LUB.OIL SYSTEM

(A)=4TNV98T-ZSBV2
(B)=
(C)=

(D)=
(E)=
(F)=



No.	Lev.	Parts No.	Description	Q'ty						I	R
				(A)	(B)	(C)	(D)	(E)	(F)		
1	1	129908-33010	COOLER ASSY, OIL	1							
2	2	123912-33050	O-RING	1							
3	1	123912-33100	BOLT, COOLER	1							
4	1	129908-33101	BRACKET, COOLER	1							
5	1	129122-44480	JOINT	1							
6	1	129908-49060	PIPE, WATER	1							
7	1	129466-49300	ELBOW, PT3/8	1							
8	1	123910-49600	PIPE, WATER	1							
10	2	123910-49610	TUBE, CORRUGATED	1							
11	1	121750-59890	BAND, 140	1							
12	1	23000-025000	CLAMP, 25	4							
13	1	24321-000600	O-RING, 1AG60.0	1							
14	1	121520-34810	GUIDE, DIPSTICK	1							
15	1	129938-34820	DIPSTICK, LUB.OIL	1							
16	1	119005-35170	FILTER, D80X100	1							1
17	1	129900-32030	O-RING, P20	1							
18	1	129953-35000	PIPE ASSY, OIL INLET	1							
23	1	26106-080122	BOLT, M8X 12 PLATED	1							
24	1	26106-080162	BOLT, M8X 16 PLATED	1							

Remarks

(1)Spare parts.

Fig.11. LUB.OIL PIPING

(A)=4TNV98T-ZSBV2

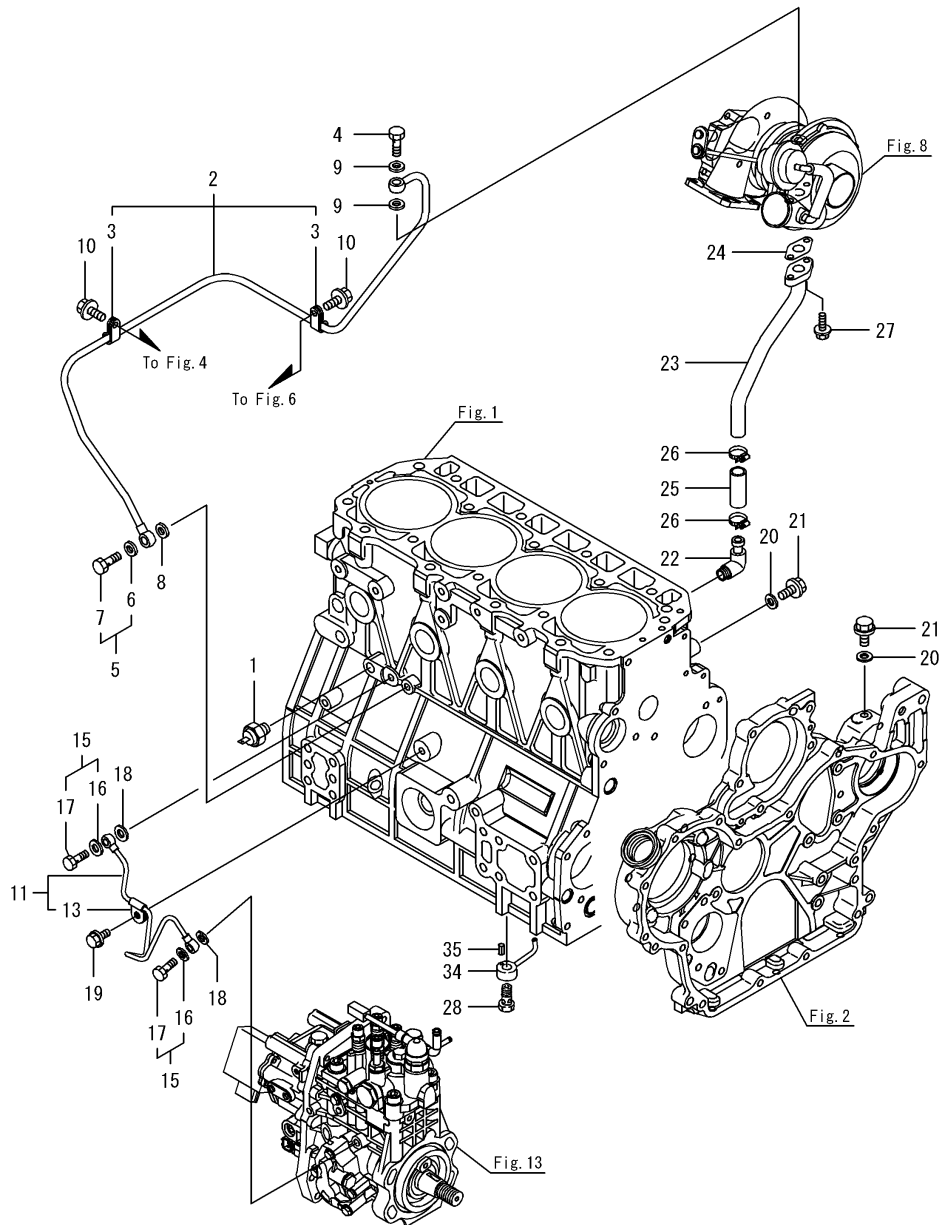
(B)=

(C)=

(D)=

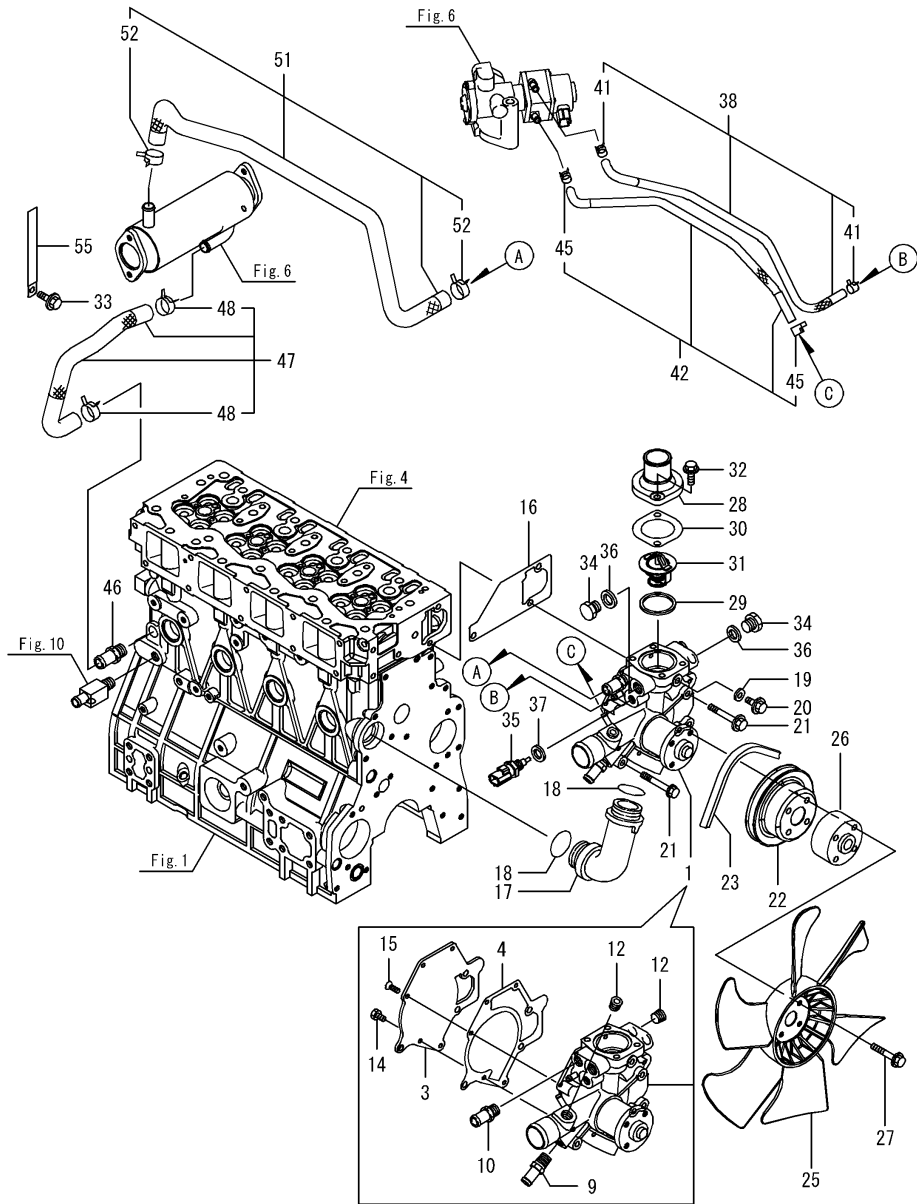
(E)=

(F)=



No.	Lev.	Parts No.	Description	Qty						I	R
				(A)	(B)	(C)	(D)	(E)	(F)		
1	1	119761-39450	SWITCH, 0.5KG	1							
2	1	129972-39080	PIPE ASSY, OIL	1							
3	2	124223-39900	RETAINER	2							
4	1	121252-39150	BOLT, JOINT M10X1.5	1							
5	1	129005-59830	BOLT ASSY, JOINT M8	1							
6	2	22190-080002	WASHER, SEAL 6	1							
7	2	23857-030000	BOLT, JOINT 3	1							
8	1	22190-080002	WASHER, SEAL 6	1							
9	1	23414-100000	GASKET, 10X1.0	2							
10	1	26106-080122	BOLT, M8X 12 PLATED	2							
11	1	129927-39060	PIPE ASSY, OIL	1							
13	2	123907-39500	RETAINER	1							
15	1	129005-59830	BOLT ASSY, JOINT M8	2							
16	2	22190-080002	WASHER, SEAL 6	2							
17	2	23857-030000	BOLT, JOINT 3	2							
18	1	22190-080002	WASHER, SEAL 6	2							
19	1	26106-080122	BOLT, M8X 12 PLATED	1							
20	1	22190-080002	WASHER, SEAL 6	2							
21	1	26106-080122	BOLT, M8X 12 PLATED	2							
22	1	124070-13300	ELBOW, PT3/8	1							
23	1	129908-39610	PIPE, OIL	1							
24	1	129908-39690	GASKET	1							
25	1	123901-39820	HOSE	1							
26	1	23000-025000	CLAMP, 25	2							
27	1	26106-060162	BOLT, M6X 16 PLATED	2							
28	1	129908-39410	VALVE ASSY, CHECK	4							
34	1	119000-39650	NOZZLE	4							
35	1	22351-030010	PIN, SPRING 3.0X10	4							

Fig.12. COOLING WATER SYSTEM



(A)=4TNV98T-ZSBV2

(B)=

(C)=

(D)=

(E)=

(F)=

No.	Lev.	Parts No.	Description	Q'ty						I	R
				(A)	(B)	(C)	(D)	(E)	(F)		
1	1	129949-42011	PUMP ASSY, WATER	1							
3	2	129900-42161	COVER	1							
4	2	129900-42170	GASKET	1							
9	2	129963-49300	JOINT, D14	1							
10	2	129928-49420	JOINT	1							
12	2	129916-49740	PLUG, R03	2							
14	2	26116-060162	BOLT, M6X 16 PLATED	2							
15	2	26577-060162	SCREW, M6X16	3							
16	1	129900-42061	GASKET, WATER PUMP	1							
17	1	129900-42070	PIPE, WATER	1							
18	1	129900-42140	O-RING, P36	2							
19	1	23414-080000	GASKET, 8X1.0	1							
20	1	26106-080122	BOLT, M8X 12 PLATED	1							
21	1	26106-080552	BOLT, M8X 55 PLATED	3							
22	1	129900-42462	V-PULLEY, CW PUMP	1							
23	1	123658-42280	V-BELT, A48	1							
25	1	129916-44740	FAN, COOLING D=430	1							
26	1	119005-44761	SPACER, FAN	1							
27	1	26106-080452	BOLT, M8X 45 PLATED	4							
28	1	129981-49531	COVER, THERMOSTAT	1							
29	1	121850-49550	GASKET, THERMOSTAT	1							
30	1	129900-49560	GASKET	1							
31	1	121850-49811	THERMOSTAT	1							
32	1	26106-080252	BOLT, M8X 25 PLATED	2							
33	1	26106-080122	BOLT, M8X 12 PLATED	1							
34	1	121450-42450	PLUG, M16	2							
35	1	129927-44900	SENSOR	1							
36	1	124465-44950	GASKET, 16	2							
37	1	22190-120002	WASHER, SEAL 12	1							
38	1	129938-49650	PIPE ASSY, WATER	1							
41	2	23080-012000	CLAMP, 12	2							
42	1	129938-49660	PIPE ASSY, WATER	1							
45	2	23080-012000	CLAMP, 12	2							
46	1	129928-49420	JOINT	1							
47	1	129948-49610	PIPE ASSY, WATER	1							
48	2	129960-03990	CLIP, HOSE 22	2							
51	1	129928-49620	PIPE ASSY, WATER	1							
52	2	129960-03990	CLIP, HOSE 22	2							
55	1	129928-79700	CLIP	1							

Fig.13. FUEL INJECTION PUMP

(A)=4TNV98T-ZSBV2

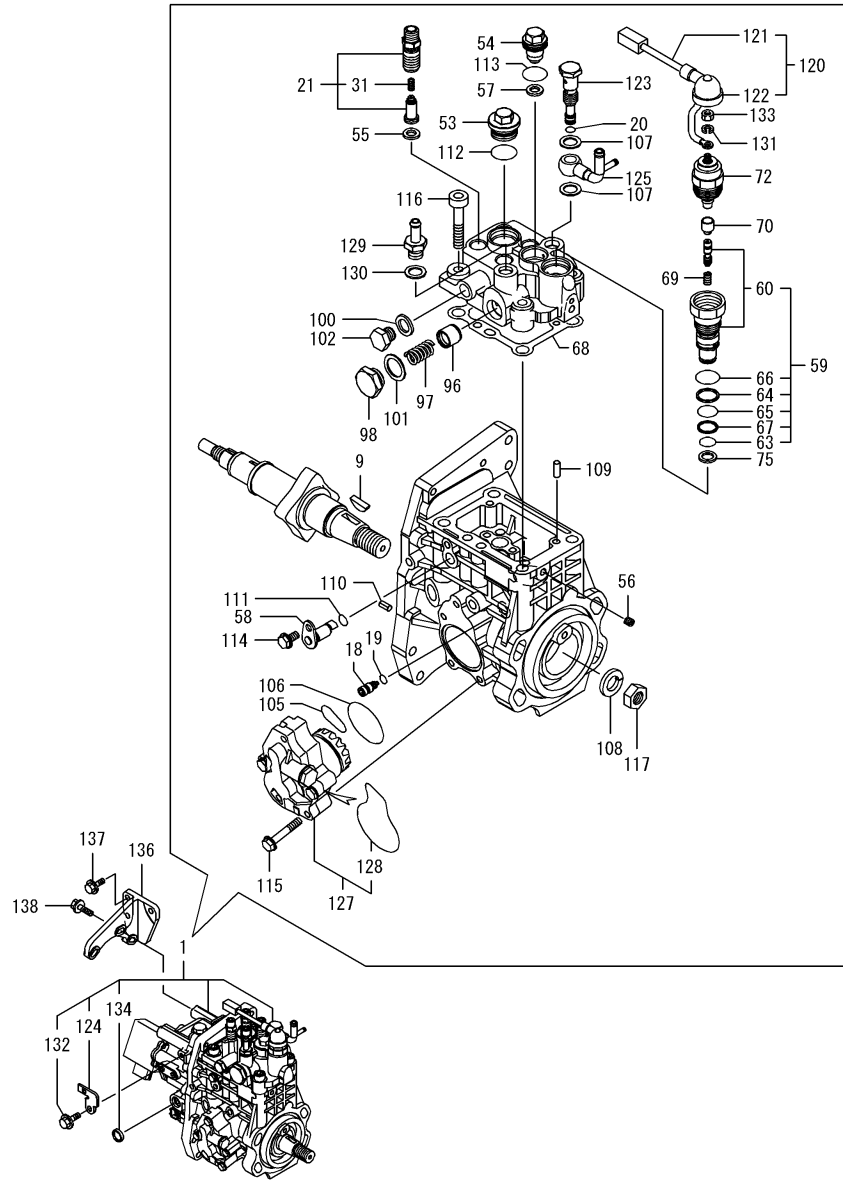
(B)=

(C)=

(D)=

(E)=

(F)=



No.	Lev.	Parts No.	Description	Q'ty						I	R
				(A)	(B)	(C)	(D)	(E)	(F)		
1	1	729948-51330	PUMP ASSY, INJECTION	1							1
9	3	144626-51090	KEY, 5X19	1							
18	3	158600-51270	STOPPER, TAPPET	1							
19	3	158563-51281	O-RING, 4D S6	1							
20	3	158563-51281	O-RING, 4D S6	1							
21	3	129928-51390	VALVE ASSY, DELIVERY	4							
31	4	158563-51330	SPRING, DELIVERY	4							
53	3	158601-51550	PLUG	1							
54	3	129907-51560	PLUG, BARREL	1							
55	3	158552-51571	GASKET	4							
56	3	158557-51570	PLUG	1							
57	3	129906-51580	GASKET	1							
58	3	158552-51580	LIFTER	1							
59	3	129657-51590	TIMER SET	1							
60	4	129657-51600	TIMER ASSY	1							
63	4	158553-51670	O-RING, 1011	1							
64	4	119802-51680	RING, BACK UP	1							
65	4	119802-51690	O-RING	1							
66	4	24356-190200	O-RING, 4D19020	1							
67	4	24372-000150	RING, BACK UP T2P15	1							
68	3	158560-51600	GASKET	1							
69	3	119852-51630	SPRING, TIMER	1							
70	3	119852-51640	CAP	1							
72	3	119852-51650	VALVE ASSY	1							
75	3	158553-51680	GASKET	1							
96	3	158601-51770	PISTON	1							
97	3	158552-51781	SPRING	1							
98	3	158601-51790	PLUG	1							
100	3	22190-120002	WASHER, SEAL 12	1							
101	3	22190-180002	WASHER, SEAL 18	1							
102	3	158553-51930	PLUG, M12	1							
105	3	158552-52311	O-RING	1							
106	3	158552-52400	O-RING, 4E S42	1							
107	3	22190-120002	WASHER, SEAL 12	2							
108	3	22217-180000	WASHER, SPRING 18	1							
109	3	22312-050140	PIN, PARALLEL M5X14	2							
110	3	22351-050010	PIN, SPRING 5.0X10	2							
111	3	24311-000070	O-RING, 1AP7.0	1							
112	3	24356-190200	O-RING, 4D19020	1							
113	3	24356-240210	O-RING, 4D24021	1							
114	3	26106-060102	BOLT, M6X 10 PLATED	1							
115	3	26106-060352	BOLT, M6X 35 PLATED	4							
116	3	26450-100452	BOLT, M10X 45	4							
117	3	26776-180002	NUT, LOCK M18	1							
120	2	129927-51650	HARNESS ASSY, WIRE	1							
121	3	129927-51660	HARNESS	1							
122	3	129263-77941	CAP, RUBBER	1							
123	2	158601-51650	JOINT, OVER FLOW	1							
124	2	129927-51670	BRACKET	1							
125	2	158552-51670	JOINT, OVER FLOW	1							
127	2	158552-52100	PUMP ASSY, FUEL FEED	1							

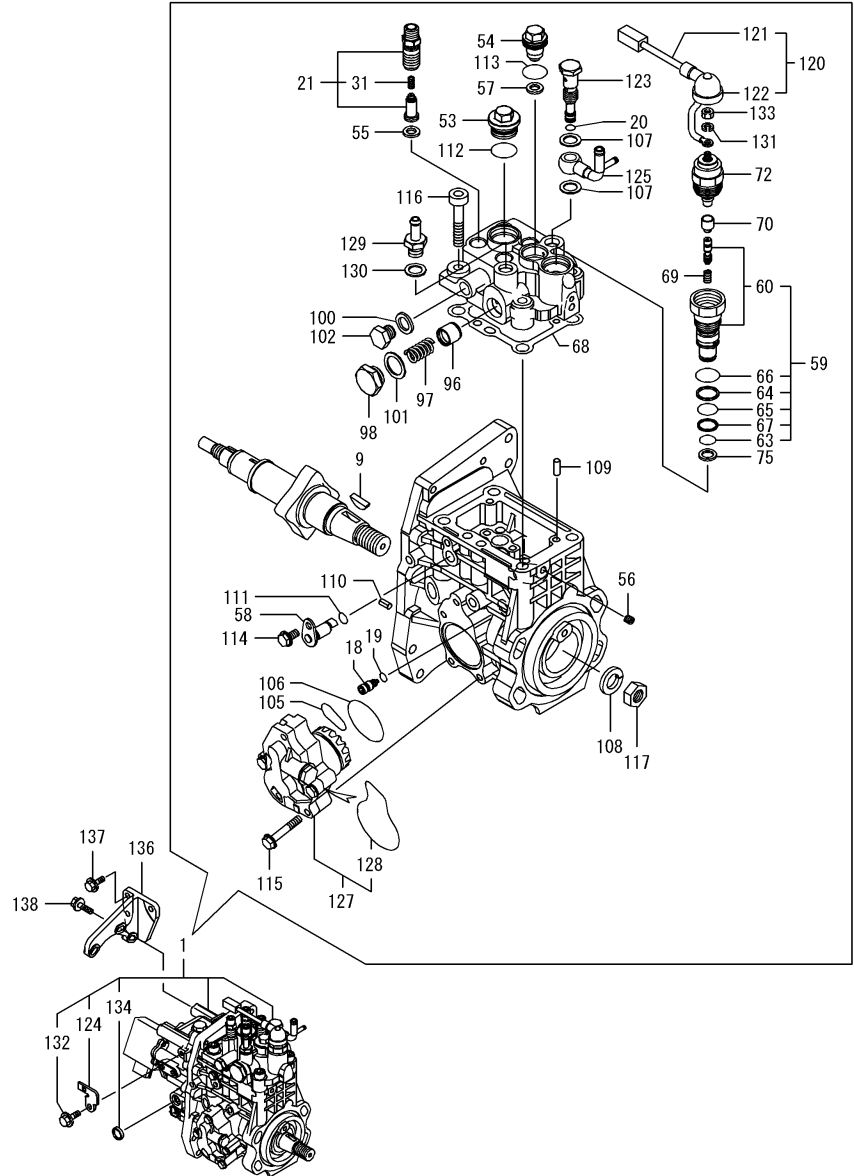
Remarks

(1)Governor assy(Fig.14) is incorporated in this fuel injection pump assy(Ref.No1).

Fig.13. FUEL INJECTION PUMP

(A)=4TNV98T-ZSBV2
(B)=
(C)=

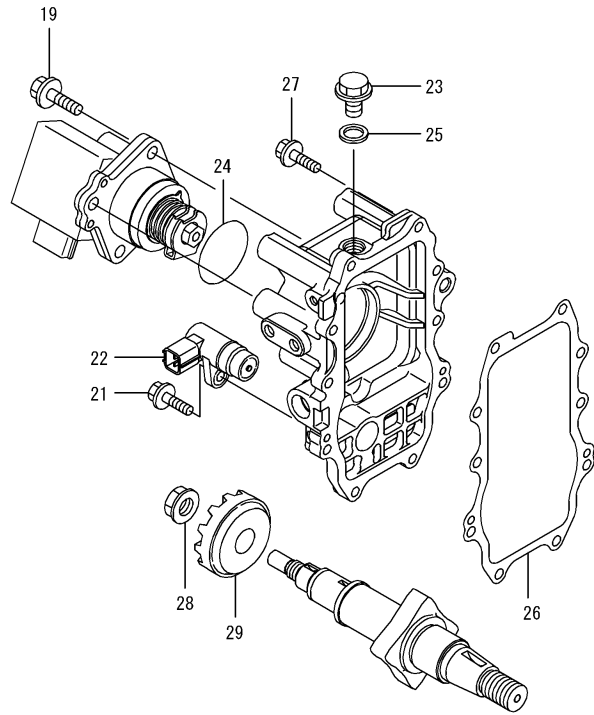
(D)=
(E)=
(F)=



No.	Lev.	Parts No.	Description	Q'ty						I	R
				(A)	(B)	(C)	(D)	(E)	(F)		
128	3	158552-52500	O-RING	1							
129	2	119934-59910	JOINT, PIPE	1							
130	2	22190-120002	WASHER, SEAL 12	1							
131	2	22217-050000	WASHER, SPRING 5	1							
132	2	26106-060122	BOLT, M6X 12 PLATED	1							
133	2	26716-050002	NUT, M5	1							
134	2	27241-160000	PLUG, 16	1							
136	1	129927-51250	RETAINER, PUMP	1							
137	1	26106-080202	BOLT, M8X 20 PLATED	3							
138	1	26106-080302	BOLT, M8X 30 PLATED	3							

Remarks
(1)Governor assy(Fig.14) is incorporated in this fuel injection pump assy(Ref.No1).

Fig.14. GOVERNOR



(A)=4TNV98T-ZSBV2
(B)=
(C)=

(D)=
(E)=
(F)=

No.	Lev.	Parts No.	Description	Q'ty						I	R
				(A)	(B)	(C)	(D)	(E)	(F)		
19	4	26106-080252	BOLT, M8X 25 PLATED	3							
21	4	26106-060162	BOLT, M6X 16 PLATED	1							
22	4	158557-61720	SENSOR	1							
23	4	158553-51930	PLUG, M12	1							
24	4	24341-000480	O-RING, 1AS48.0	1							
25	4	22190-120002	WASHER, SEAL 12	1							
26	3	158560-61050	GASKET	1							
27	3	26106-060252	BOLT, M6X 25 PLATED	10							
28	3	129008-61301	NUT	1							
29	3	158553-61780	GEAR, SENSOR	1							

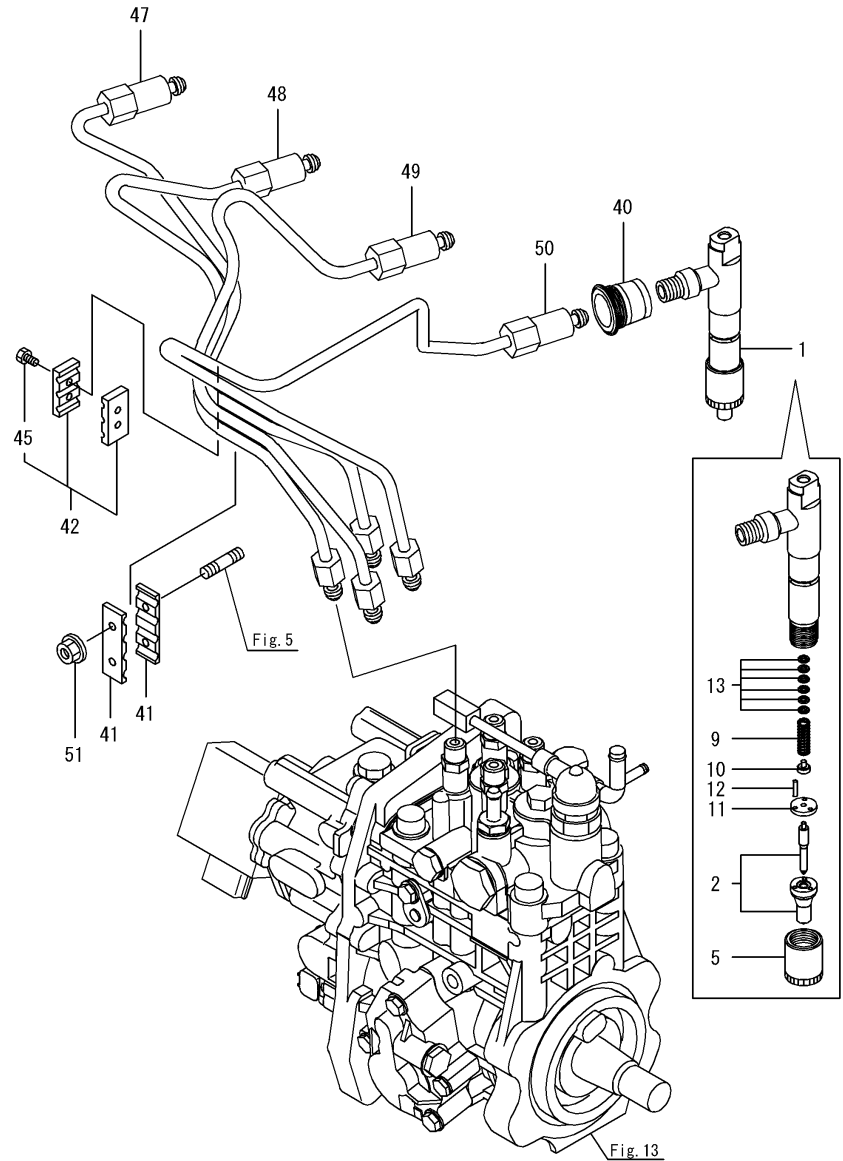
Remarks

*This figure(Governor assy) is incorporated in the fuel injection pump assy(Fig.13).

Fig.15. FUEL INJECTION VALVE

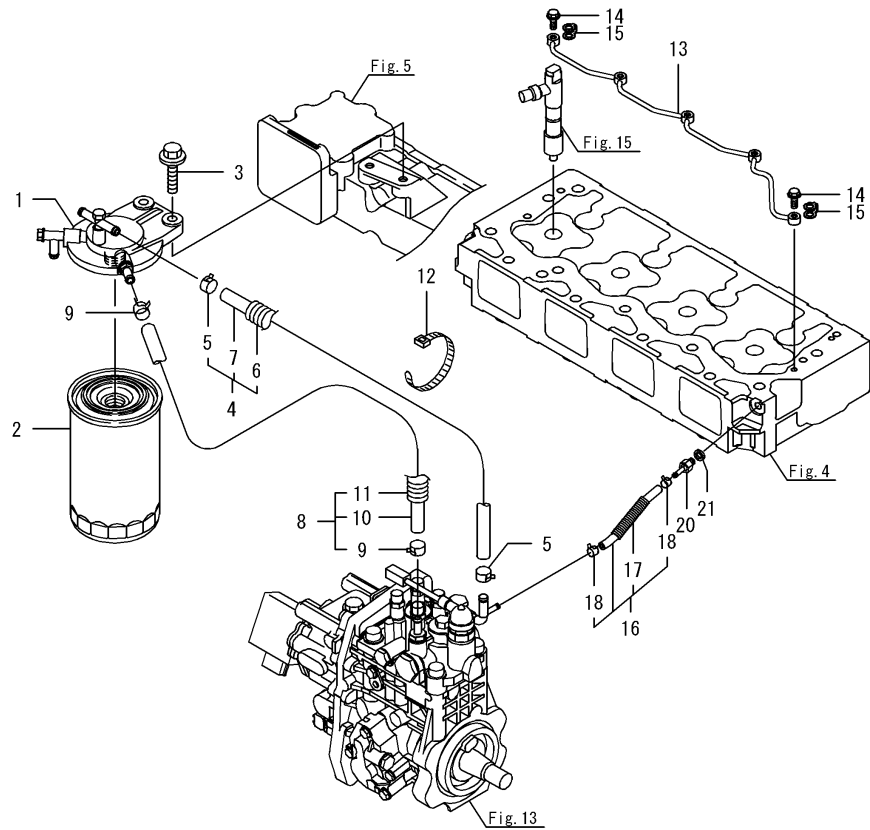
(A)=4TNV98T-ZSBV2
(B)=
(C)=

(D)=
(E)=
(F)=



No.	Lev.	Parts No.	Description	Q'ty						I	R
				(A)	(B)	(C)	(D)	(E)	(F)		
1	1	729928-53300	VALVE ASSY,INJECTION	4							
2	2	129672-53010	VALVE ASSY,INJECTION	4							
5	2	114250-53080	NUT, NOZZLE D16.95	4							
9	2	114250-53120	SPRING, NOZZLE	4							
10	2	114250-53130	SEAT, SPRING	4							
11	2	114250-53140	PLATE	4							
12	2	114250-53210	PIN	8							
13	2	119803-53400	SHIM SET	4							
40	1	123907-11601	SEAL	4							
41	1	123472-59120	RETAINER, PIPE	2							
42	1	129150-59120	RETAINER, PIPE	1							
45	2	129150-59131	BOLT, M4X14	2							
47	1	129927-59810	PIPE ASSY, INJECTION	1							
48	1	129927-59820	PIPE ASSY, INJECTION	1							
49	1	129927-59830	PIPE ASSY, INJECTION	1							
50	1	129927-59840	PIPE ASSY, INJECTION	1							
51	1	26366-060002	NUT, M6	2							

Fig.16. FUEL OIL PIPING



(A)=4TNV98T-ZSBV2

(B)=

(C)=

(D)=

(E)=

(F)=

No.	Lev.	Parts No.	Description	Q'ty						I	R
				(A)	(B)	(C)	(D)	(E)	(F)		
1	1	129004-55612	BRACKET, FILTER	1							
2	1	123907-55810	FILTER, FUEL	1							
3	1	26106-080302	BOLT, M8X 30 PLATED	2							
4	1	129457-59010	PIPE ASSY, FUEL	1							
5	2	124766-59050	CLIP, HOSE 12	2							
6	2	129957-59120	TUBE, CORRUGATED	1							
7	2	105025-59750	PIPE, FUEL	1							
8	1	129961-59310	PIPE ASSY, FUEL	1							
9	2	124766-59050	CLIP, HOSE 12	2							
10	2	129136-59110	PIPE, D13/7.5X270	1							
11	2	129961-59110	TUBE, CORRUGATED	1							
12	1	121750-59890	BAND, 140	1							
13	1	129907-59140	PIPE ASSY, RETURN	1							
14	1	123907-59540	BOLT, PIPE JOINT M6	5							
15	1	123907-59550	GASKET	5							
16	1	129927-59550	PIPE ASSY, RETURN	1							
17	2	129263-49750	TUBE, CORRUGATED	1							
18	2	124722-59050	CLIP, HOSE 9	2							
20	1	123907-59560	JOINT	1							
21	1	22190-080002	WASHER, SEAL 6	1							

Fig.17. STARTING MOTOR

(A)=4TNV98T-ZSBV2

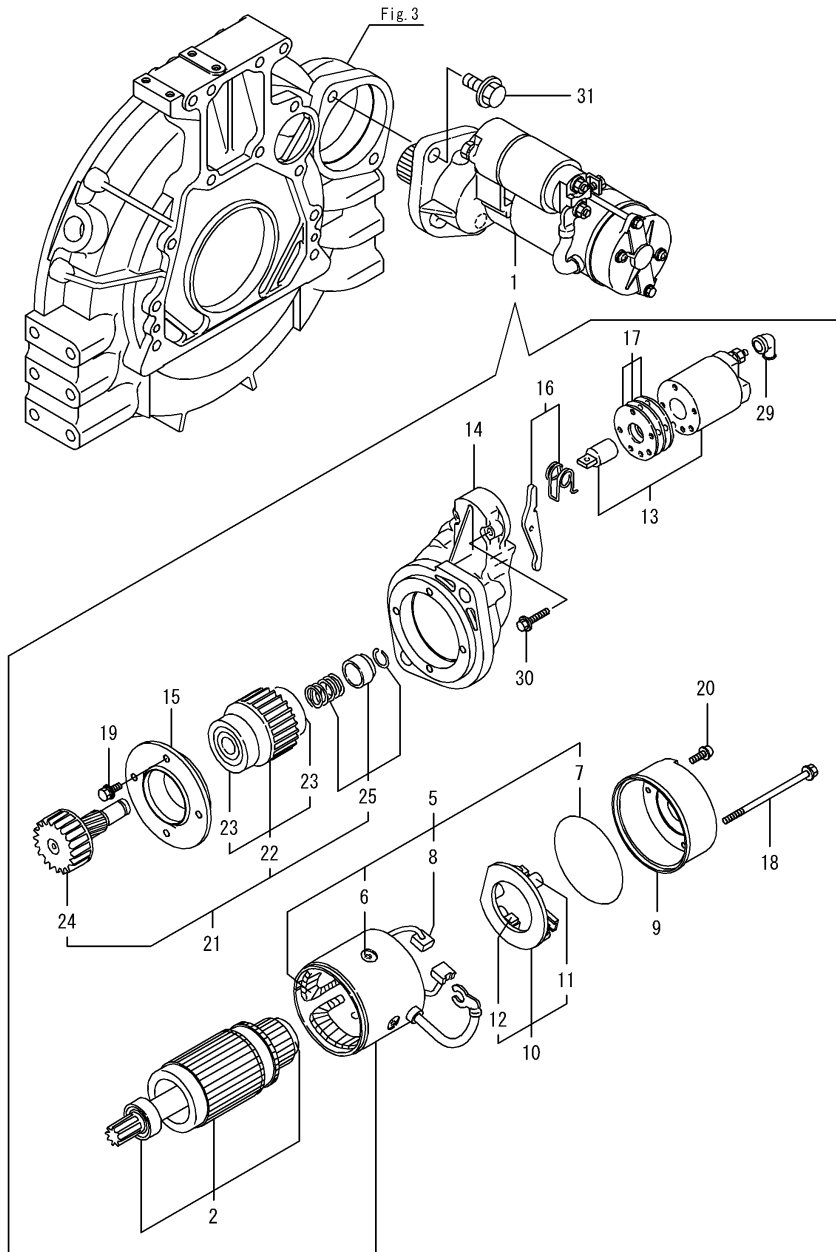
(B)=

(C)=

(D)=

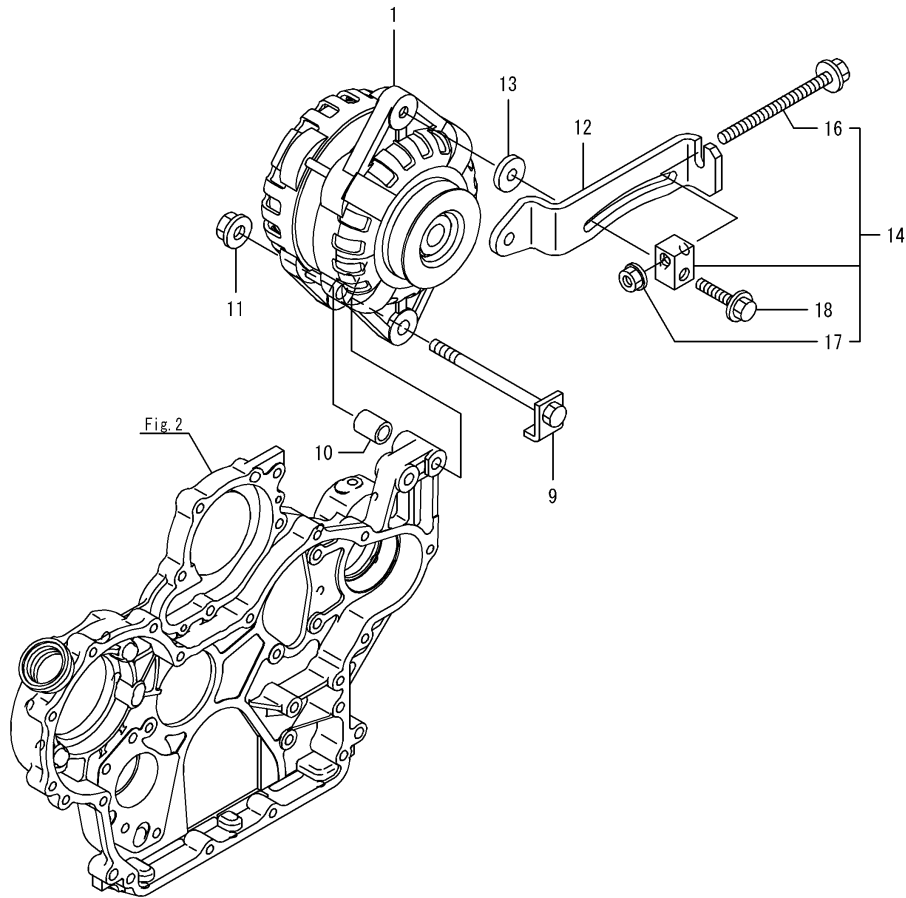
(E)=

(F)=



No.	Lev.	Parts No.	Description	Q'ty						I	R
				(A)	(B)	(C)	(D)	(E)	(F)		
1	1	129940-77011	STARTER	1							
2	2	129940-77100	ARMATURE ASSY	1							
5	2	129940-77130	COIL ASSY, FIELD	1							
6	3	129940-77140	SCREW	4							
7	3	129940-77150	O-RING	1							
8	3	129940-77160	BRUSH	2							
9	2	129940-77171	COVER	1							
10	2	129940-77181	HOLDER ASSY, BRUSH	1							
11	3	129940-77190	SPRING	1							
12	3	129940-77200	BRUSH	2							
13	2	129940-77210	SWITCH ASSY	1							
14	2	129940-77221	CASE, GEAR	1							
15	2	129940-77230	RETAINER	1							
16	2	129940-77240	LEVER SET	1							
17	2	129940-77250	COVER ASSY, DUST	1							
18	2	129940-77260	BOLT, THROUGH	2							
19	2	129940-77270	BOLT	4							
20	2	129940-77280	SCREW	2							
21	2	123900-77510	PINION ASSY	1							
22	3	123900-77520	CLUTCH ASSY	1							
23	4	X2240610100	BEARING, BALL	2							
24	3	123900-77540	SHAFT	1							
25	3	119131-77550	STOPPER KIT	1							
29	2	121254-77810	COVER, TERMINAL	1							
30	2	114371-79070	BOLT	2							
31	1	26116-120302	BOLT, M12X 30 PLATED	2							

Fig.18. GENERATOR



(A)=4TNV98T-ZSBV2
(B)=
(C)=

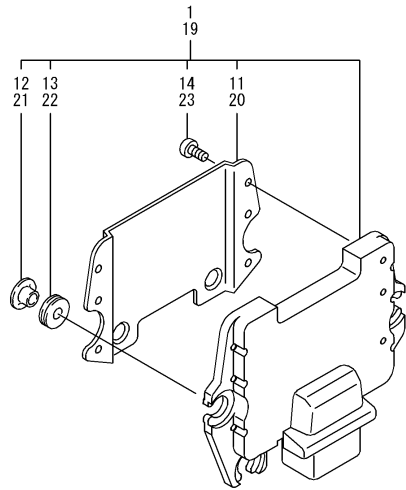
(D)=
(E)=
(F)=

No.	Lev.	Parts No.	Description	Q'ty						I	R
				(A)	(B)	(C)	(D)	(E)	(F)		
1	1	129908-77200	ALTERNATOR	1							
9	1	129908-77220	BOLT, STOPPER M10	1							
10	1	129908-77360	PIECE, DISTANCE	1							
11	1	26306-100002	NUT, M10	1							
12	1	129953-77300	ADJUSTER	1							
13	1	121236-77340	SPACER	1							
14	1	119624-77351	BLOCK ASSY, ADJUSTER	1							
16	2	26106-081004	BOLT, M8X100 PLATED	1							
17	2	26306-080002	NUT, M8	1							
18	1	26106-080452	BOLT, M8X 45 PLATED	1							

Fig.19. ELECTRONIC CONTROL UNIT(ECU)

(A)=4TNV98T-ZSBV2
(B)=
(C)=

(D)=
(E)=
(F)=



No.	Lev.	Parts No.	Description	Q'ty						I	R
				(A)	(B)	(C)	(D)	(E)	(F)		
1	1	129948-75250	ECU ASSY,4TNV98T-ZSB	1							1
11	2	129927-77600	SHIELD	1							
12	2	129927-77680	COLLAR	3							
13	2	119578-91351	ABSORBER	3							
14	2	22877-500080	SCREW, 5X 8	6							
19	1	129927-75900	CONTROLLER ASSY, EUC	1							2
20	2	129927-77600	SHIELD	1							
21	2	129927-77680	COLLAR	3							
22	2	119578-91351	ABSORBER	3							
23	2	22877-500080	SCREW, 5X 8	6							

Remarks

(1)Eco ECU

This part cannot be ordered. Replace the part using a Service ECU with the proper engine information installed.

(2)Service ECU

If the proper information is not installed, the engine will not operate.

To install proper information, go to an authorized Distributor.

Fig.20. GASKET SET & TOOLS

(A)=4TNV98T-ZSBV2

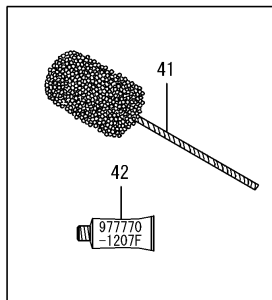
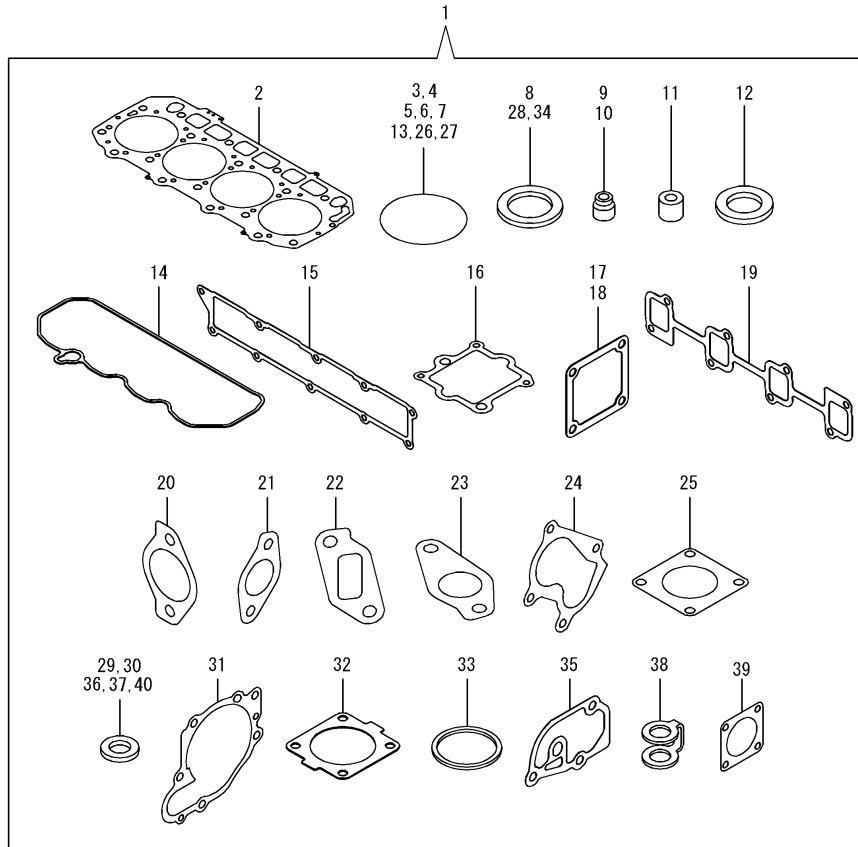
(B)=

(C)=

(D)=

(E)=

(F)=



No.	Lev.	Parts No.	Description	Q'ty						I	R
				(A)	(B)	(C)	(D)	(E)	(F)		
1	1	729928-92610	GASKET SET	1							1
2	2	129907-01331	GASKET, HEAD	1							
3	2	129900-32030	O-RING, P20	2							
4	2	129900-32040	O-RING, P14	1							
5	2	24311-000070	O-RING, 1AP7.0	1							
6	2	24351-030750	O-RING, 1A3075	1							
7	2	24311-000320	O-RING, 1AP32.0	3							
8	2	22190-220002	WASHER, SEAL 22	1							
9	2	119803-11340	SEAL, VALVE STEM	8							
10	2	124160-11340	SEAL, VALVE STEM	8							
11	2	119802-11870	PROTECTOR, NOZZLE	4							
12	2	119625-11880	SEAT, NOZZLE	4							
13	2	24311-000120	O-RING, 1AP12.0	8							
14	2	129933-11310	GASKET, BONNET	1							
15	2	129907-12110	GASKET, MANIFOLD	1							
16	2	129928-13720	GASKET	1							
17	2	119129-77020	GASKET	1							
18	2	121850-77021	GASKET	1							
19	2	129900-13251	GASKET	1							
20	2	129928-13410	GASKET	2							
21	2	129927-13810	GASKET	1							
22	2	129927-13910	GASKET	1							
23	2	129927-13920	GASKET	1							
24	2	123901-18080	GASKET	1							
25	2	129472-18090	GASKET	1							
26	2	24341-000530	O-RING, 1AS53.0	1							
27	2	24321-000600	O-RING, 1AG60.0	1							
28	2	22190-080002	WASHER, SEAL 6	9							
29	2	23414-100000	GASKET, 10X1.0	2							
30	2	129908-39690	GASKET	1							
31	2	129900-42020	GASKET, WATER PUMP	1							
32	2	121850-49540	GASKET, THERMOSTAT	1							
33	2	121850-49550	GASKET, THERMOSTAT	1							
34	2	22190-120002	WASHER, SEAL 12	1							
35	2	129900-49870	GASKET	1							
36	2	23414-080000	GASKET, 8X1.0	1							
37	2	124465-44950	GASKET, 16	1							
38	2	123907-59550	GASKET	5							
39	2	124240-01883	GASKET	1							
40	2	129150-49360	GASKET	1							
41	1	129400-92450	HONE	1							1
42	1	977770-1207F	GASKET.LIQUID	1							1

Remarks

(1)Option parts.

N:Old $\begin{matrix} \leftarrow \text{Yes} \\ \text{No} \end{matrix}$ New, Q:Old $\begin{matrix} \leftarrow \text{No} \\ \text{Yes} \end{matrix}$ New, R:Old $\begin{matrix} \leftarrow \text{Yes} \\ \text{Yes} \end{matrix}$ New, S:Old $\begin{matrix} \leftarrow \text{No} \\ \text{No} \end{matrix}$ New, W:Add, Z:Discontinued, F:Interchangeable by set, K:Q'ty Change

Parts No. Index

Parts No.	Fig. No.	Ref. No.
105025-59750	16	7
114250-53080	15	5
114250-53120	15	9
114250-53130	15	10
114250-53140	15	11
114250-53210	15	12
114371-79070	17	30
119000-39650	11	34
119005-35170	10	16
119005-44761	12	26
119005-77051	5	19
119100-11330	4	61
119129-77020	5	17
	20	17
119129-77520	5	20
119131-18320	6	4
119131-77550	17	25
119578-91351	19	13
	22	
119593-11301	4	34
119620-01750	3	4
119620-11180	4	18
119624-77351	18	14
119625-11880	4	30
	20	12
119640-01640	3	9
119761-39450	11	1
119802-11870	4	29
	20	11
119802-13790	6	10
119802-51680	13	64
119802-51690	13	65
119803-11340	4	19
	20	9
119803-53400	15	13
119852-51630	13	69
119852-51640	13	70
119852-51650	13	72
119934-59910	13	129
120130-22301	9	21
121027-11743	2	22
121236-77340	18	13
121252-39150	11	4
121254-77810	17	29
121450-42450	12	34
121520-34810	10	14
121750-59890	10	11
	16	12
121850-21130	9	11
121850-21290	9	4

Parts No.	Fig. No.	Ref. No.
121850-21920	9	5
121850-49540	20	32
121850-49550	12	29
	20	33
121850-49811	12	31
121850-77021	5	18
	20	18
123472-59120	15	41
123658-42280	12	23
123900-13630	6	6
123900-25060	7	9
123900-77510	17	21
123900-77520	17	22
123900-77540	17	24
123901-03240	4	76
123901-18080	20	24
123901-39820	11	25
123907-11280	4	39
123907-11550	4	5
123907-11601	15	40
123907-11820	4	25
123907-11830	4	24
123907-39500	11	13
123907-55810	16	2
123907-59540	16	14
123907-59550	16	15
	20	38
123907-59560	16	20
123910-49600	10	8
123910-49610	10	10
123912-03270	4	80
123912-03300	4	78
123912-33050	10	2
123912-33100	10	3
123951-18220	5	14
124070-13300	11	22
124160-01751	2	13
	4	54
124160-11340	4	20
	20	10
124160-11360	4	65
124223-39900	11	3
124240-01883	20	39
124465-44950	12	36
	20	37
124722-59050	16	18
124766-59050	16	5
		9
129004-55612	16	1
129005-59830	11	5

Parts No.	Fig. No.	Ref. No.
129005-59830	11	15
129008-61301	14	28
129100-01580	2	1
	3	1
129122-44480	10	5
129136-59110	16	10
129150-02450	7	4
129150-11230	4	42
		46
129150-11750	4	23
		43
		47
129150-14200	7	1
129150-25920	7	13
129150-49360	20	40
129150-59120	15	42
129150-59131	15	45
129263-49750	16	17
129263-77941	13	122
129400-92450	20	41
129410-03990	4	70
		84
129418-18320	6	3
129457-59010	16	4
129466-49300	10	7
129472-18090	8	2
	20	25
129509-79700	4	62
129648-07900	4	1
129657-51590	13	59
129657-51600	13	60
129672-53010	15	2
129900-01200	1	27
129900-01250	1	4
129900-01850	2	27
129900-01870	2	28
129900-02020	1	6
129900-02341	1	33
129900-02410	1	9
129900-02931	1	24
129900-02941	1	36
129900-13251	6	5
	20	19
129900-14100	7	6
129900-21200	9	3
129900-21600	9	14
129900-23001	9	23
129900-23200	9	26
129900-23601	9	27
129900-23611	9	30

Parts No.	Fig. No.	Ref. No.
129900-23911	9	29
129900-25100	7	10
129900-32030	2	6
	10	17
	20	3
129900-32040	2	7
	20	4
129900-42020	20	31
129900-42061	12	16
129900-42070	12	17
129900-42140	12	18
129900-42161	12	3
129900-42170	12	4
129900-42462	12	22
129900-49560	12	30
129900-49870	20	35
129906-51580	13	57
129907-01331	1	28
	20	2
129907-03011	4	56
129907-03061	4	57
129907-03070	4	58
129907-11100	4	15
129907-11110	4	16
129907-11120	4	17
129907-11250	4	36
129907-11260	4	37
129907-11270	4	38
129907-11341	4	35
129907-11510	4	21
129907-11650	4	40
129907-11660	4	44
129907-11800	4	28
129907-11910	4	31
129907-11920	4	48
129907-11950	4	32
129907-12110	5	1
	20	15
129907-14400	7	2
129907-25900	7	16
129907-51560	13	54
129907-59140	16	13
129908-14581	7	3
129908-18010	8	1
129908-21000	9	1
129908-32060	2	4
129908-33010	10	1
129908-33101	10	4
129908-39410	11	28
129908-39610	11	23

Parts No. Index

Parts No.	Fig. No.	Ref. No.
129908-39690	11	24
	20	30
129908-49060	10	6
129908-77200	18	1
129908-77220	18	9
129908-77360	18	10
129916-01790	3	7
129916-01800	2	26
129916-21610	9	7
129916-44740	12	25
129916-49740	12	12
129927-13810	6	12
	20	21
129927-13900	6	19
129927-13910	6	20
	20	22
129927-13920	6	21
	20	23
129927-13960	6	25
129927-22050	9	17
129927-39060	11	11
129927-44900	12	35
129927-51250	13	136
129927-51650	13	120
129927-51660	13	121
129927-51670	13	124
129927-59550	16	16
129927-59810	15	47
129927-59820	15	48
129927-59830	15	49
129927-59840	15	50
129927-75900	19	19
129927-77600	19	11
		20
129927-77680	19	12
		21
129928-03050	4	86
129928-03060	4	68
129928-03080	4	82
129928-07900	4	2
129928-11320	4	55
129928-11700	4	6
129928-12100	5	3
129928-12150	5	2
129928-13400	6	7
129928-13410	6	8
		9
	20	20
129928-13700	5	4
129928-13710	5	5

Parts No.	Fig. No.	Ref. No.
129928-13720	5	6
	20	16
129928-13800	6	11
129928-13810	6	13
129928-22080	9	15
129928-49420	12	10
		46
129928-49620	12	51
129928-51390	13	21
129928-79700	12	55
129930-01870	2	19
129933-11310	4	60
	20	14
129938-21650	9	9
129938-34820	10	15
129938-49650	12	38
129938-49660	12	42
129940-77011	17	1
129940-77100	17	2
129940-77130	17	5
129940-77140	17	6
129940-77150	17	7
129940-77160	17	8
129940-77171	17	9
129940-77181	17	10
129940-77190	17	11
129940-77200	17	12
129940-77210	17	13
129940-77221	17	14
129940-77230	17	15
129940-77240	17	16
129940-77250	17	17
129940-77260	17	18
129940-77270	17	19
129940-77280	17	20
129948-01740	3	8
129948-13100	6	2
129948-13150	6	1
129948-13540	6	24
129948-18220	5	12
129948-49610	12	47
129948-75250	19	1
129949-18210	5	13
129949-42011	12	1
129951-01740	2	15
129953-01620	3	2
129953-21581	9	12
129953-25300	7	15
129953-35000	10	18
129953-77300	18	12

Parts No.	Fig. No.	Ref. No.
129957-59120	16	6
129960-03990	12	48
		52
129960-21930	9	10
129960-21940	9	8
129961-59110	16	11
129961-59310	16	8
129963-49300	12	9
129972-01500	2	3
129972-03220	4	74
129972-03230	4	75
129972-03240	4	73
129972-39080	11	2
129981-49531	12	28
144626-51090	13	9
158552-51571	13	55
158552-51580	13	58
158552-51670	13	125
158552-51781	13	97
158552-52100	13	127
158552-52311	13	105
158552-52400	13	106
158552-52500	13	128
158553-51670	13	63
158553-51680	13	75
158553-51930	13	102
	14	23
	14	29
158553-61780	14	29
158557-51570	13	56
158557-61720	14	22
158560-51600	13	68
158560-61050	14	26
158563-51281	13	19
		20
158563-51330	13	31
158600-51270	13	18
158601-51550	13	53
158601-51650	13	123
158601-51770	13	96
158601-51790	13	98
171051-01921	1	5
22190-080002	11	6
		8
		16
		18
		20
	16	21
	20	28
22190-120002	12	37
	13	100

Parts No.	Fig. No.	Ref. No.
22190-120002	13	107
		130
	14	25
	20	34
22190-180002	13	101
22190-220002	3	11
	20	8
22217-050000	13	131
22217-180000	13	108
22252-000300	9	22
22312-050140	13	109
22351-030010	11	35
22351-050010	13	110
22351-060012	1	14
22512-070140	7	7
	9	6
22857-500100	4	64
22877-500080	19	14
		23
23000-019000	4	81
23000-025000	10	12
	11	26
23000-054000	5	15
23000-070000	5	16
23065-160950	4	72
23080-012000	12	41
		45
23414-080000	12	19
	20	36
23414-100000	11	9
	20	29
23857-030000	11	7
		17
23876-020000	4	12
23876-030000	1	11
		12
		13
		29
	4	13
24311-000070	13	111
	20	5
24311-000120	4	33
		66
	20	13
24311-000320	2	14
		23
	4	67
	20	7
24321-000600	10	13
	20	27

Parts No. Index

Parts No.	Fig. No.	Ref. No.
24321-000850	2	20
24341-000480	14	24
24341-000530	20	26
24351-030750	2	8
	20	6
24356-190200	13	66
		112
24356-240210	13	113
24372-000150	13	67
26106-060102	13	114
26106-060122	4	63
	13	132
26106-060142	6	26
26106-060162	11	27
	14	21
26106-060202	5	7
		8
26106-060252	14	27
26106-060352	13	115
26106-080122	3	12
	4	87
	10	23
	11	10
		19
		21
	12	20
		33
26106-080142	4	71
26106-080162	2	9
		29
	4	3
	7	8
	10	24
26106-080202	2	10
		16
	4	4
	13	137
26106-080252	12	32
	14	19
26106-080302	13	138
	16	3
26106-080352	6	14
26106-080402	2	17
	4	50
	5	21
26106-080452	2	11
		30
	5	10
	6	15
	12	27

Parts No.	Fig. No.	Ref. No.
26106-080452	18	18
26106-080552	6	16
	7	14
	12	21
26106-080602	4	51
		52
26106-080702	2	31
26106-080752	2	18
26106-080802	5	11
26106-080902	5	22
26106-081004	18	16
26106-100202	2	21
26106-100252	6	17
26106-100402	6	22
26106-101052	6	23
26116-050102	4	77
26116-060162	12	14
26116-120302	17	31
26206-100352	3	5
26206-100702	3	6
26216-060202	5	9
26216-100302	2	5
26226-080222	4	49
26306-080002	4	53
	6	18
	8	3
	18	17
26306-100002	2	12
	18	11
26366-060002	15	51
26450-100452	13	116
26577-060162	12	15
26716-050002	13	133
26776-180002	13	117
27241-160000	13	134
27241-300000	1	10
27241-400000	4	14
27310-070001	4	26
729900-02801	1	30
729906-01550	2	24
729927-22950	9	34
729928-01560	1	1
729928-22900	9	32
729928-53300	15	1
729928-92610	20	1
729948-51330	13	1
977770-1207F	20	42
X2240610100	17	23

Parts No.	Fig. No.	Ref. No.
-----------	----------	----------

Parts No.	Fig. No.	Ref. No.
-----------	----------	----------