

0CB10-M80500EN

Contents

OCB10-M80500

Fig. No.	Fig. Name	Fig. No.	Fig. Name
ENGINE			
1.	CYLINDER BLOCK		
2.	GEAR HOUSING		
3.	FLYWHEEL HOUSING & OIL SUMP		
4.	CYLINDER HEAD & BONNET		
5.	SUCTION MANIFOLD		
6.	EXHAUST MANIFOLD & SILENCER		
7.	CAMSHAFT & DRIVING GEAR		
8.	CRANKSHAFT & PISTON		
9.	LUB. OIL SYSTEM		
10.	COOLING WATER SYSTEM		
11.	FUEL INJECTION PUMP		
12.	GOVERNOR		
13.	FUEL INJECTION VALVE		
14.	STARTER MOTOR		
15.	GENERATOR		
16.	ELECTRONIC CONTROL UNIT(ECU)		
17.	GASKET SET		

Fig.1. CYLINDER BLOCK

(A)=3TNV88F-ESBV

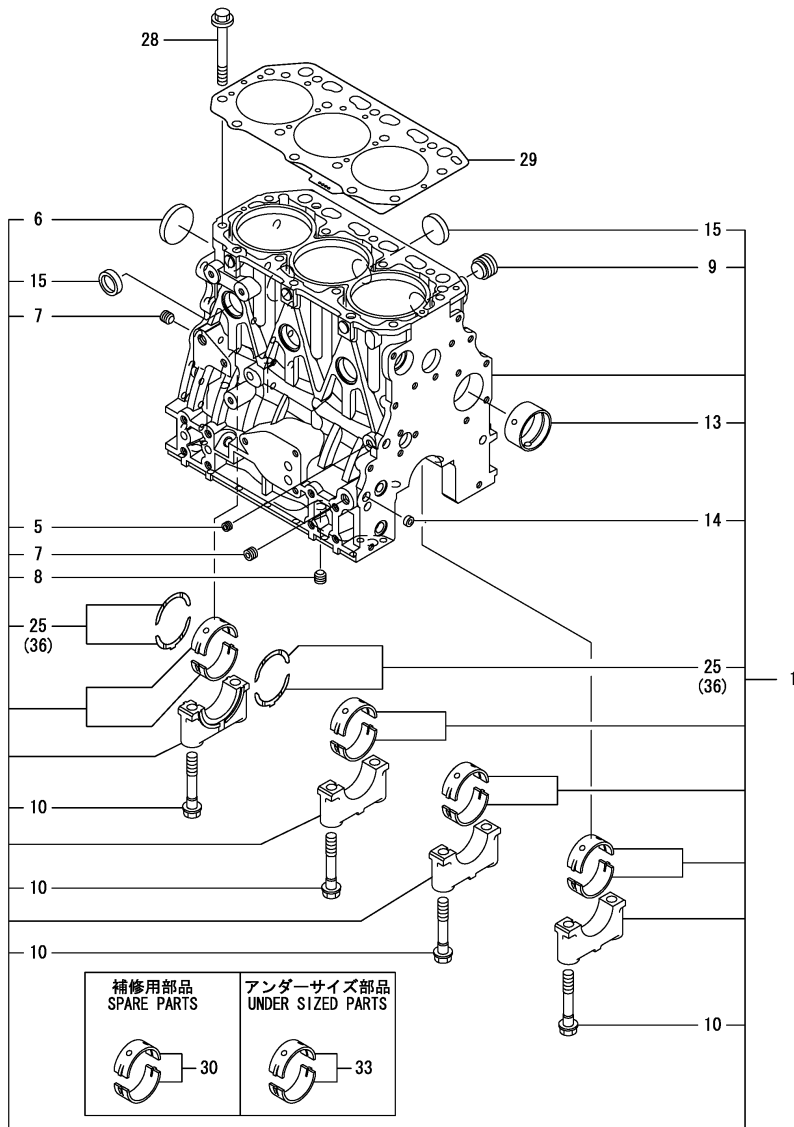
(B)=

(C)=

(D)=

(E)=

(F)=



No.	Lev.	Parts No.	Description	Q'ty						I	R
				(A)	(B)	(C)	(D)	(E)	(F)		
1	1	729005-01560	BLOCK ASSY, CYLINDER	1							
5	2	124060-01050	PLUG, PT1/8	1							
6	2	129001-01250	PLUG, 50	1							
7	2	124160-01910	PLUG, PT1/4	2							
8	2	124160-01910	PLUG, PT1/4	1							
9	2	171051-01921	PLUG, NPTF1	1							
10	2	129150-02020	BOLT, METAL CAP	8							
13	2	129795-02412	BUSH, CAMSHAFT	1							
14	2	27241-120000	PLUG, 12	2							
15	2	27241-300000	PLUG 30	6							
25	2	129150-02931	BEARING, THRUST	2							
28	1	129150-01200	BOLT, HEAD	14							
29	1	129001-01340	GASKET, HEAD	1							
30	1	129001-02931	BEARING, MAIN	4							1
33	1	129150-02871	BEARING, 0.25 US	4							2
36	1	129150-02941	BEARING, THRUST 0.25	1							3

Remarks

- (1) Spare parts.
- (2) Under-sized(U.S.=0.25) parts.
- (3) Over-sized(O.S.=0.25) parts.

Fig.2. GEAR HOUSING

(A)=3TNV88F-ESBV

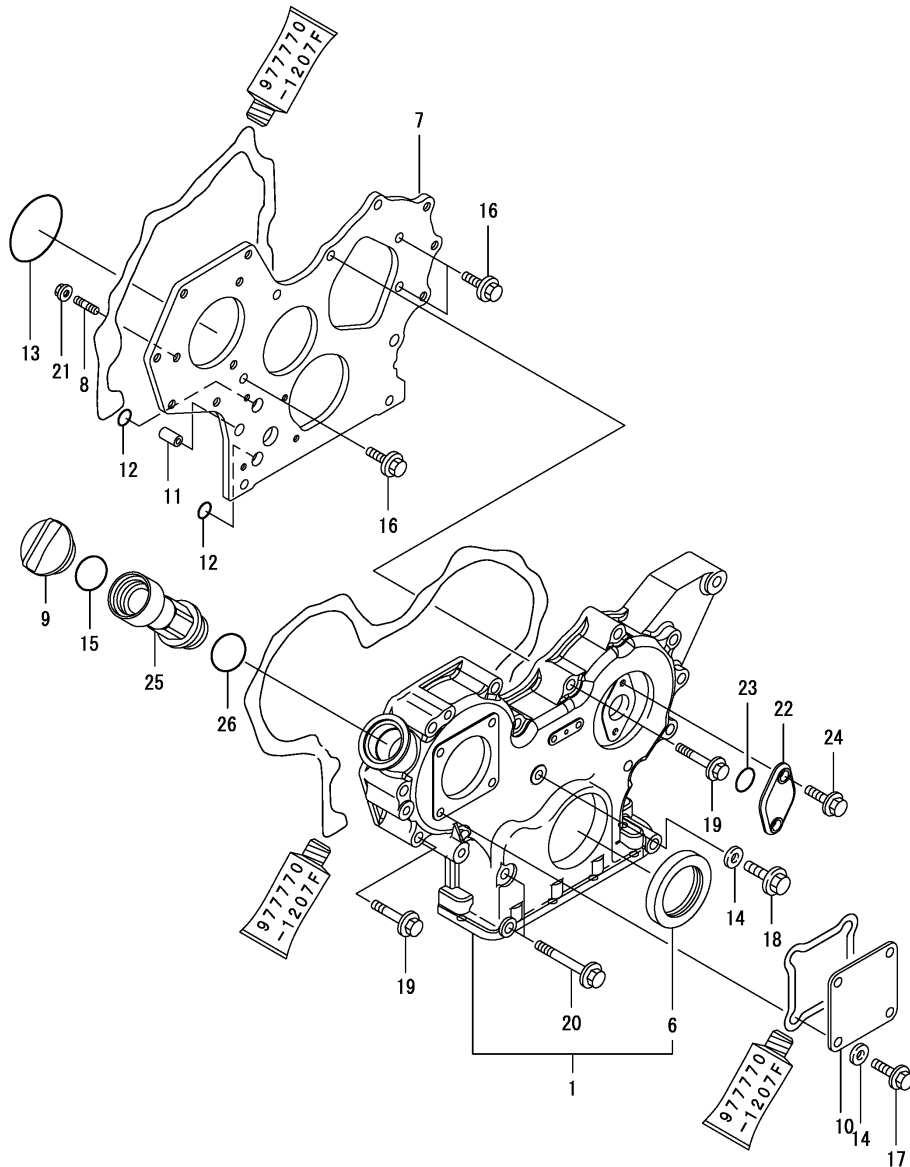
(B)=

(C)=

(D)=

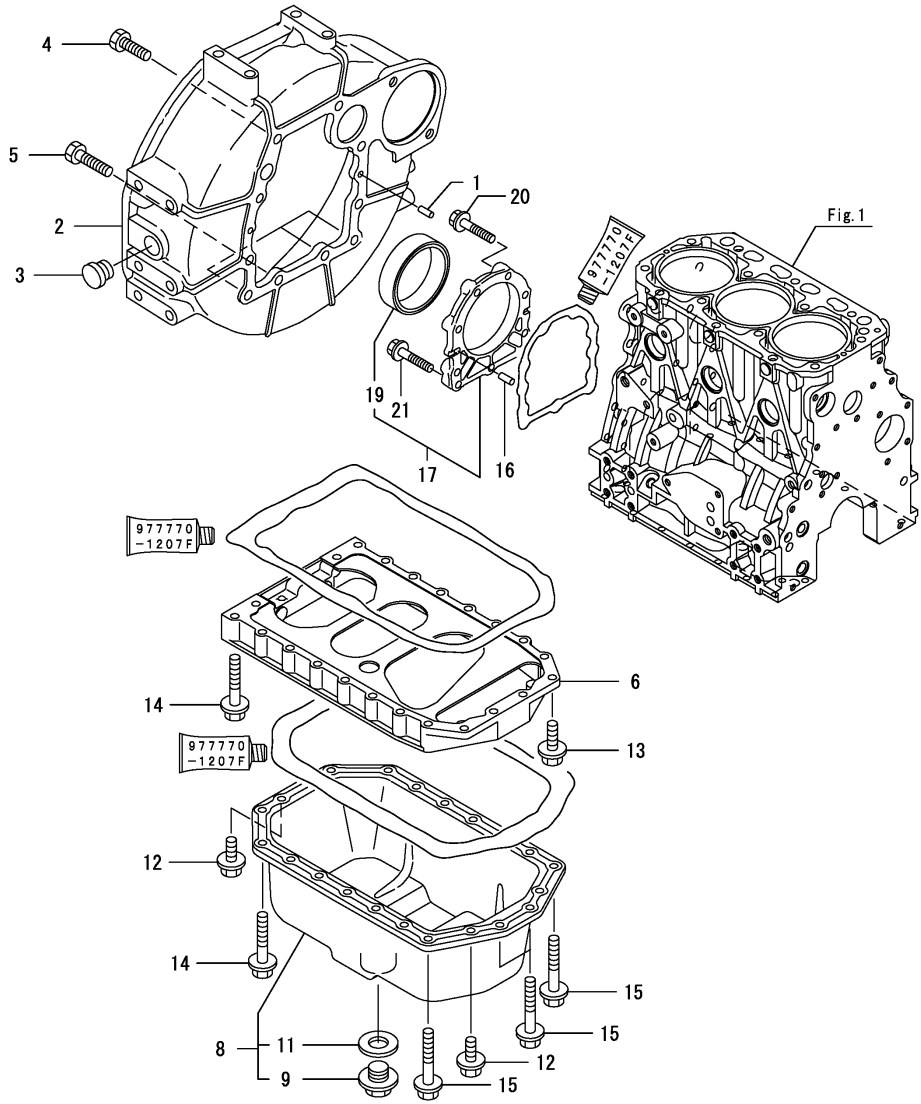
(E)=

(F)=



No.	Lev.	Parts No.	Description	Q'ty						I	R
				(A)	(B)	(C)	(D)	(E)	(F)		
1	1	729630-01500	CASE ASSY, GEAR	1							
6	2	119934-01800	SEAL, OIL	1							
7	1	119803-01520	FLANGE, GEAR CASE	1							
8	1	119802-01561	STUD, M8X25	3							
9	1	124160-01751	COVER, FILLER	1							
10	1	124240-01871	COVER	1							
11	1	129795-01950	PIPE, KNOCK L=18	2							
12	1	119609-32040	O-RING, P16	2							
13	1	121850-51960	O-RING	1							
14	1	22190-080002	WASHER, SEAL 6	5							
15	1	24311-000320	O-RING, 1AP32.0	1							
16	1	26106-080162	BOLT, M8X 16 PLATED	3							
17	1	26106-080162	BOLT, M8X 16 PLATED	4							
18	1	26106-080302	BOLT, M8X 30 PLATED	1							
19	1	26106-080552	BOLT, M8X 55 PLATED	12							
20	1	26106-080852	BOLT, M8X 85 PLATED	3							
21	1	26306-080002	NUT, M8	3							
22	1	121023-01551	COVER	1							
23	1	24341-000240	O-RING, 1AS24.0	1							
24	1	26106-060162	BOLT, M6X 16 PLATED	2							
25	1	171031-11741	PIPE	1							
26	1	24311-000320	O-RING, 1AP32.0	1							

Fig.3. FLYWHEEL HOUSING & OIL SUMP

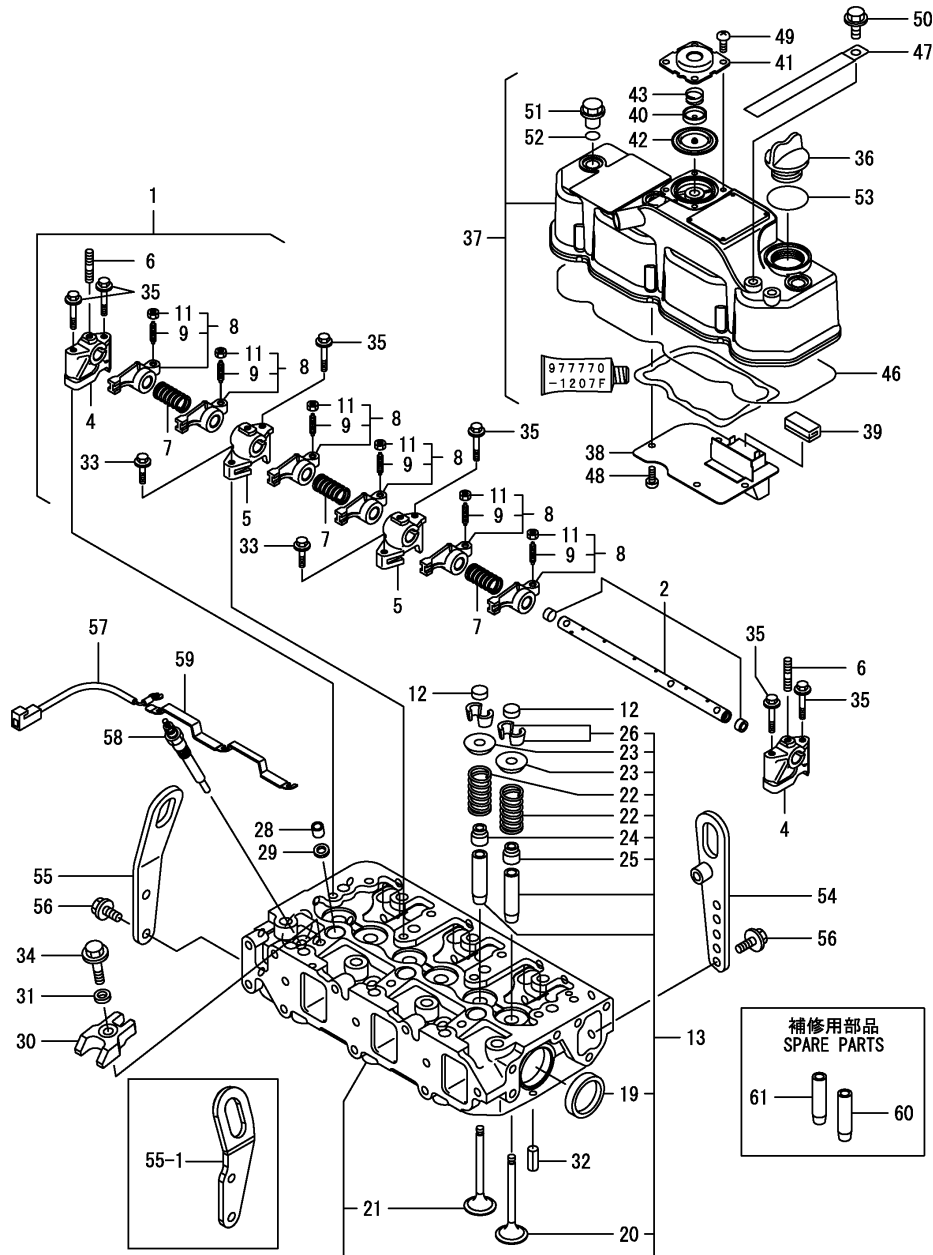


(A)=3TNV88F-ESBV
(B)=
(C)=

(D)=
(E)=
(F)=

No.	Lev.	Parts No.	Description	Q'ty						I	R
				(A)	(B)	(C)	(D)	(E)	(F)		
1	1	129100-01580	PIN, M8X16	2							
2	1	129612-01600	HOUSING, FLYWHEEL	1							
3	1	119620-01750	CAP	1							
4	1	26206-100252	BOLT, M10X 25 PLATED	6							
5	1	26206-100302	BOLT, M10X 30 PLATED	4							
6	1	129100-01730	SPACER, OIL SUMP	1							
8	1	129136-01780	SUMP ASSY, OIL	1							
9	2	119640-01640	PLUG, DRAIN M22	1							
11	2	22190-220002	WASHER, SEAL 22	1							
12	1	26106-080162	BOLT, M8X 16 PLATED	4							
13	1	26106-080252	BOLT, M8X 25 PLATED	2							
14	1	26106-080452	BOLT, M8X 45 PLATED	16							
15	1	26106-080502	BOLT, M8X 50 PLATED	4							
16	1	129100-01580	PIN, M8X16	2							
17	1	129100-01640	CASE ASSY, OIL SEAL	1							
19	2	129795-01780	SEAL, OIL	1							
20	1	129486-01670	BOLT, M8X30	6							
21	1	26106-080352	BOLT, M8X 35 PLATED	3							

Fig.4. CYLINDER HEAD & BONNET



(A)=3TNV88F-ESBV

(B)=

(C)=

(D)=

(E)=

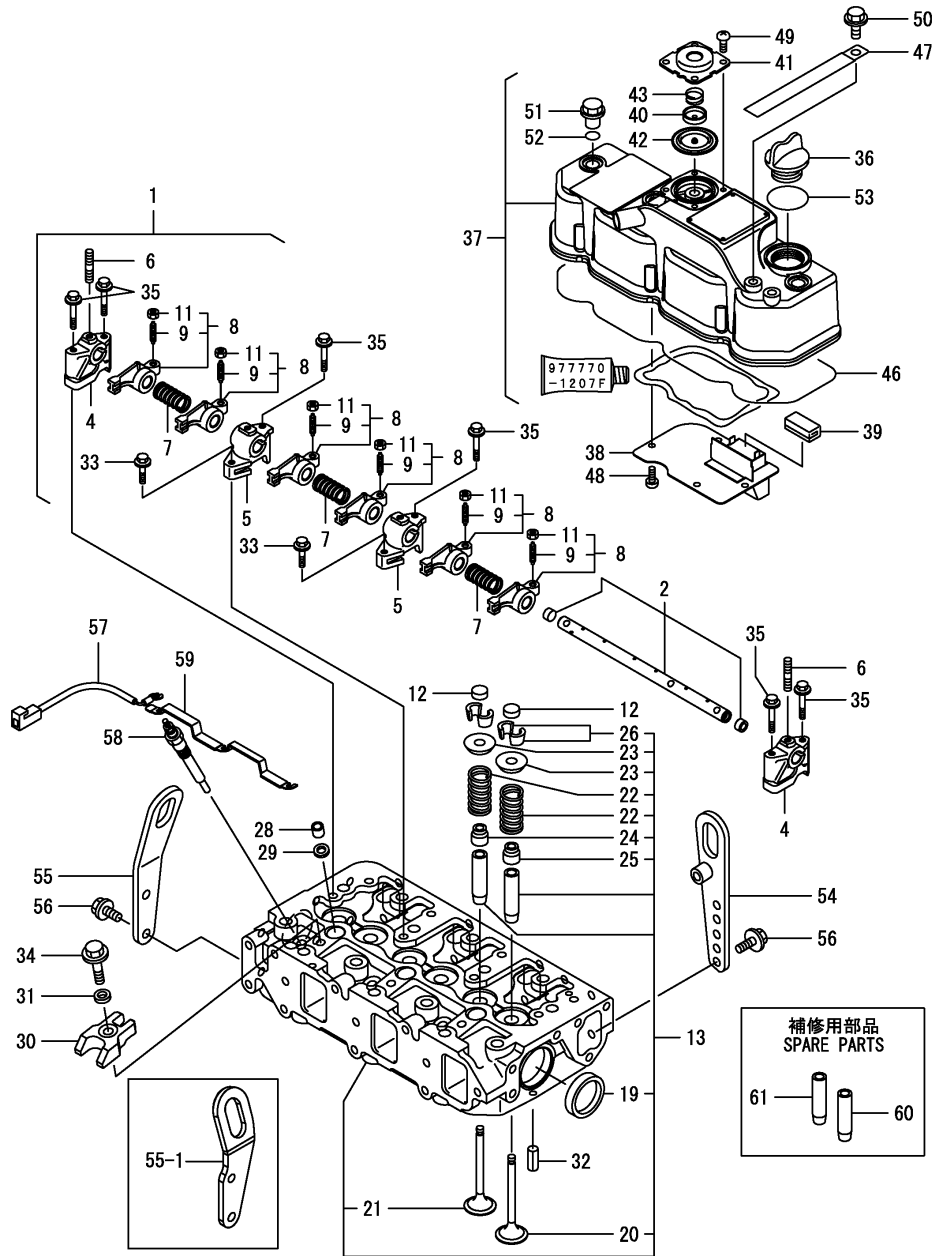
(F)=

No.	Lev.	Parts No.	Description	Q'ty						I	R
				(A)	(B)	(C)	(D)	(E)	(F)		
1	1	129004-11241	SHAFT ASSY, ROCKER	1							
2	2	129004-11251	SHAFT, ROCKER ARM	1							
4	2	119802-11260	SUPPORT, ROCKER ARM	2							
5	2	119802-11270	SUPPORT, ROCKER ARM	2							
6	2	119802-11280	STUD	3							
7	2	129150-11280	SPRING	3							
8	2	129004-11650	ARM, ROCKER	6							
9	3	129150-11230	SCREW, VALVE ADJUST	6							
11	3	129150-11750	NUT, M8	6							
12	1	129150-11370	CAP, VALVE	6							
13	1	129017-11700	HEAD ASSY, CYLINDER	1							
19	2	27241-400000	PLUG, 40	2							
20	2	129005-11100	VALVE, INTAKE	3							
21	2	129100-11112	VALVE, EXHAUST	3							
22	2	129795-11120	SPRING, VALVE	6							
23	2	129795-11180	RETAINER, SPRING	6							
24	2	121400-11340	SEAL, VALVE STEM	3							
25	2	124460-11340	SEAL, VALVE STEM	3							
26	2	27310-080001	COTTER, 8	6							
28	1	119802-11870	PROTECTOR, NOZZLE	3							
29	1	119625-11880	SEAT, NOZZLE	3							
30	1	129004-11900	RETAINER, NOZZLE	3							
31	1	120270-54410	WASHER, INJECTOR	3							
32	1	22351-060012	PIN, SPRING 6.0X12	2							
33	1	26106-080252	BOLT, M8X 25 PLATED	2							
34	1	26106-080352	BOLT, M8X 35 PLATED	3							
35	1	26106-080502	BOLT, M8X 50 PLATED	6							
36	1	124160-01751	COVER, FILLER	1							
37	1	129017-11350	BONNET ASSY	1							
38	2	129004-03010	PLATE	1							
39	2	129150-03070	BAFFLE, BREATHER	1							
40	2	119802-03110	PLATE	1							
41	2	119802-03121	COVER, DIAPHRAGM	1							
42	2	119802-03130	DIAPHRAGM	1							
43	2	119802-03141	SPRING, DIAPHRAGM	1							
46	2	129004-11310	GASKET, BONNET	1							
47	2	129928-79700	CLIP	1							
48	2	22857-500100	SCREW, 5X10	4							
49	2	22857-500100	SCREW, 5X10	4							
50	2	26106-080102	BOLT, M8X 10 PLATED	1							
51	1	124160-11360	KNOB	3							
52	1	24311-000120	O-RING, 1AP12.0	3							
53	1	24311-000320	O-RING, 1AP32.0	1							
54	1	129648-07900	LIFTER	1							
55	1	129930-07910	LIFTER	1							
55-1	1	129017-07910	LIFTER, ENGINE	1							N
(A=EXXXXX)											
56	1	26106-080162	BOLT, M8X 16 PLATED	4							
57	1	119803-77830	HARNES, WIRE	1							
58	1	129008-77800	PLUG, GLOW	3							
59	1	129008-77820	CONNECTOR, GLOW PLUG	1							

Remarks

(1) Spare parts.

Fig.4. CYLINDER HEAD & BONNET



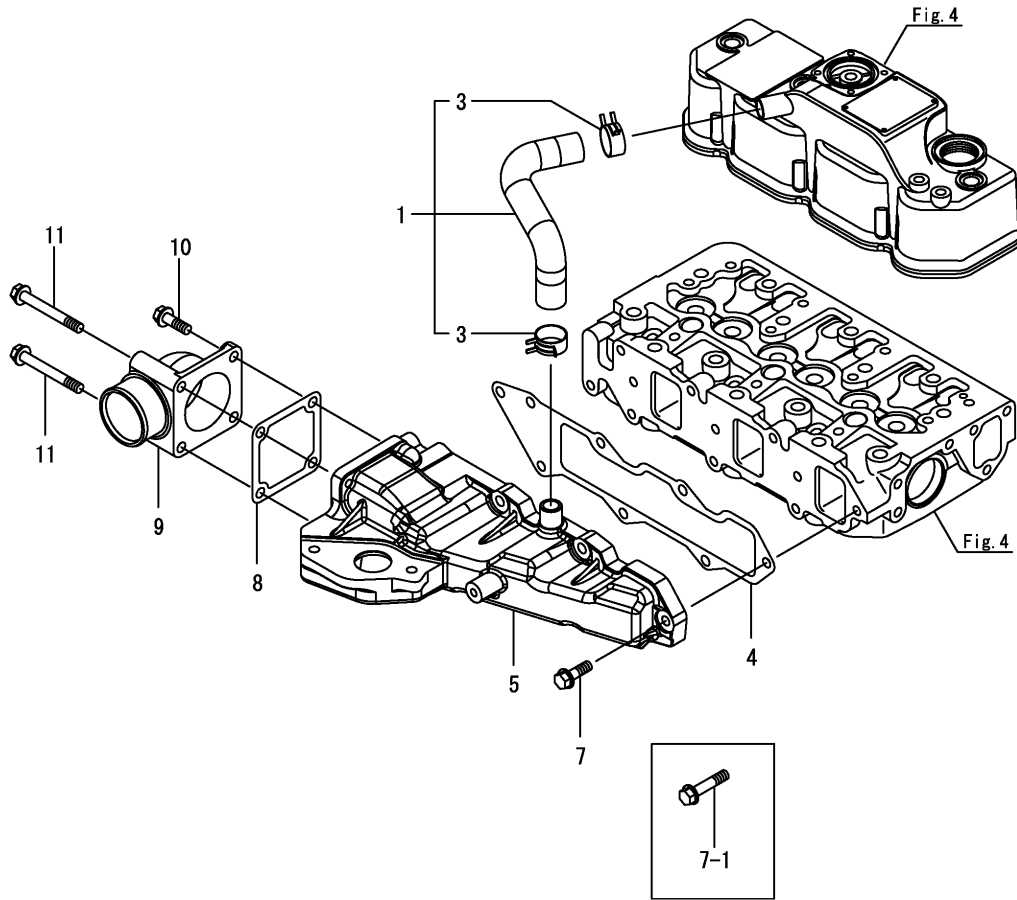
(A)=3TNV88F-ESBV
(B)=
(C)=

(D)=
(E)=
(F)=

No.	Lev.	Parts No.	Description	Q'ty						I	R
				(A)	(B)	(C)	(D)	(E)	(F)		
60	1	120130-11860	GUIDE, VALVE	3							1
61	1	129150-11810	GUIDE, VALVE	3							1

Remarks
(1) Spare parts.

Fig.5. SUCTION MANIFOLD

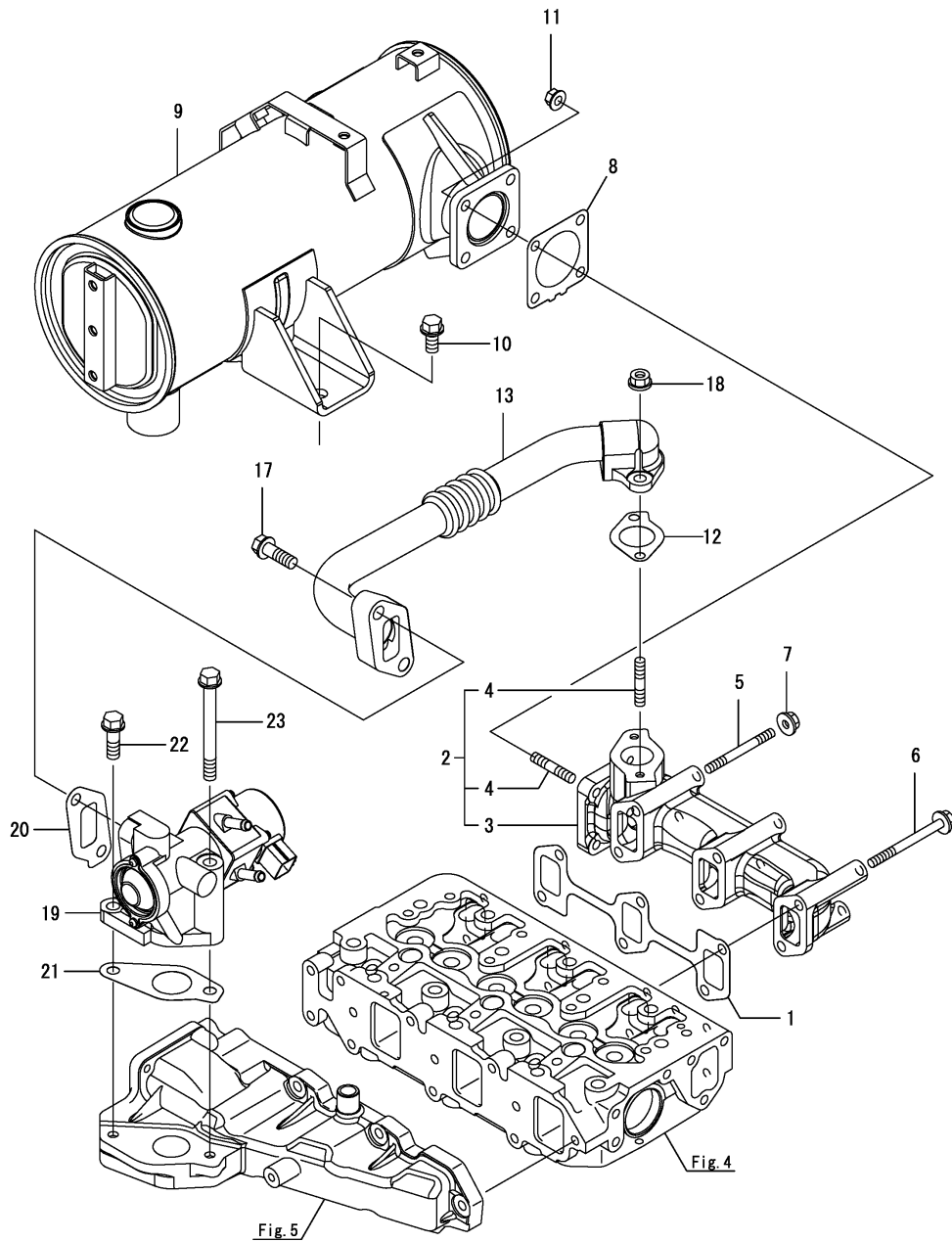


(A)=3TNV88F-ESBV
(B)=
(C)=

(D)=
(E)=
(F)=

No.	Lev.	Parts No.	Description	Q'ty						I	R
				(A)	(B)	(C)	(D)	(E)	(F)		
1	1	129017-03120	PIPE ASSY,BREATHER	1							
3	2	129410-03990	CLIP	2							
4	1	129017-12110	GASKET,INT.MANIFOLD	1							
5	1	129017-12170	MANIFOLD,INTAKE	1							
7	1	26106-080202	BOLT, M8X 20 PLATED	7							
7-1	1	26106-080252	BOLT, M8X 25 PLATED	7							S
(A=EXXXXX)											
8	1	129150-77511	GASKET	1							
9	1	171340-77520	BEND	1							
10	1	26106-080252	BOLT, M8X 25 PLATED	2							
11	1	26106-080652	BOLT, M8X 65 PLATED	2							

Fig.6. EXHAUST MANIFOLD & SILENCER



(A)=3TNV88F-ESBV

(B)=

(C)=

(D)=

(E)=

(F)=

No.	Lev.	Parts No.	Description	Q'ty						I	R
				(A)	(B)	(C)	(D)	(E)	(F)		
1	1	129150-13110	GASKET	1							
2	1	129017-13150	MANIFOLD ASSY,EXH	1							
3	2	129017-13100	MANIFOLD, EXHAUST								
4	2	129418-18320	STUD, M8X20	6							
5	1	123900-13610	STUD, M8X80	2							
6	1	123900-13630	BOLT, M8X80	4							
7	1	26306-080002	NUT, M8	2							
8	1	129004-13200	GASKET, SILENCER	1							
9	1	129237-13500	SILENCER	1							
10	1	26106-100202	BOLT, M10X 20 PLATED	2							
11	1	26306-080002	NUT, M8	4							
12	1	129927-13810	GASKET	1							
13	1	129017-13880	PIPE ASSY, EGR	1							
17	1	26106-100302	BOLT, M10X 30 PLATED	2							
18	1	26306-080002	NUT, M8	2							
19	1	129017-13900	VALVE, EGR	1							
20	1	129927-13910	GASKET	1							
21	1	129927-13920	GASKET	1							
22	1	26106-100302	BOLT, M10X 30 PLATED	1							
23	1	26106-100952	BOLT, M10X 95 PLATED	1							

Fig.7. CAMSHAFT & DRIVING GEAR

(A)=3TNV88F-ESBV

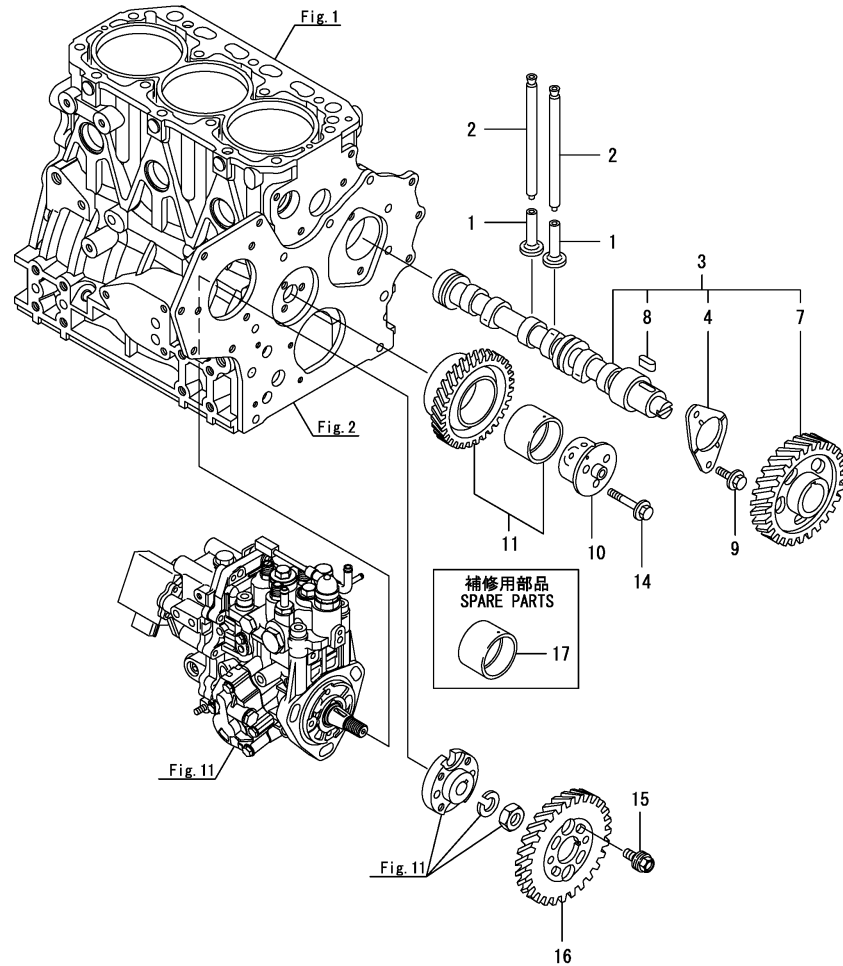
(B)=

(C)=

(D)=

(E)=

(F)=



No.	Lev.	Parts No.	Description	Q'ty						I	R
				(A)	(B)	(C)	(D)	(E)	(F)		
1	1	129150-14200	TAPPET	6							
2	1	129150-14400	ROD, PUSH L=178	6							
3	1	129129-14580	CAMSHAFT ASSY	1							
4	2	129150-02450	BEARING, THRUST	1							
7	2	129150-14101	GEAR, CAMSHAFT	1							
8	2	22512-070140	KEY, 7X 14	1							
9	1	26106-080142	BOLT, M8X 14 PLATED	2							
10	1	119803-25050	SHAFT, IDLE	1							
11	1	119802-25101	GEAR ASSY, IDLE	1							
14	1	26106-080402	BOLT, M8X 40 PLATED	3							
15	1	129150-25301	BOLT	4							
16	1	119802-25901	GEAR, PUMP	1							
17	1	119802-25071	BUSH, IDLE GEAR	1							1

Remarks

(1) Spare parts.

N:Old $\xrightarrow{\text{Yes}}$ New, Q:Old $\xrightarrow{\text{No}}$ New, R:Old $\xrightarrow{\text{Yes}}$ New, S:Old $\xrightarrow{\text{No}}$ New, W:Add, Z:Discontinued, F:Interchangeable by set, K:Q'ty Change

Fig.8. CRANKSHAFT & PISTON

(A)=3TNV88F-ESBV

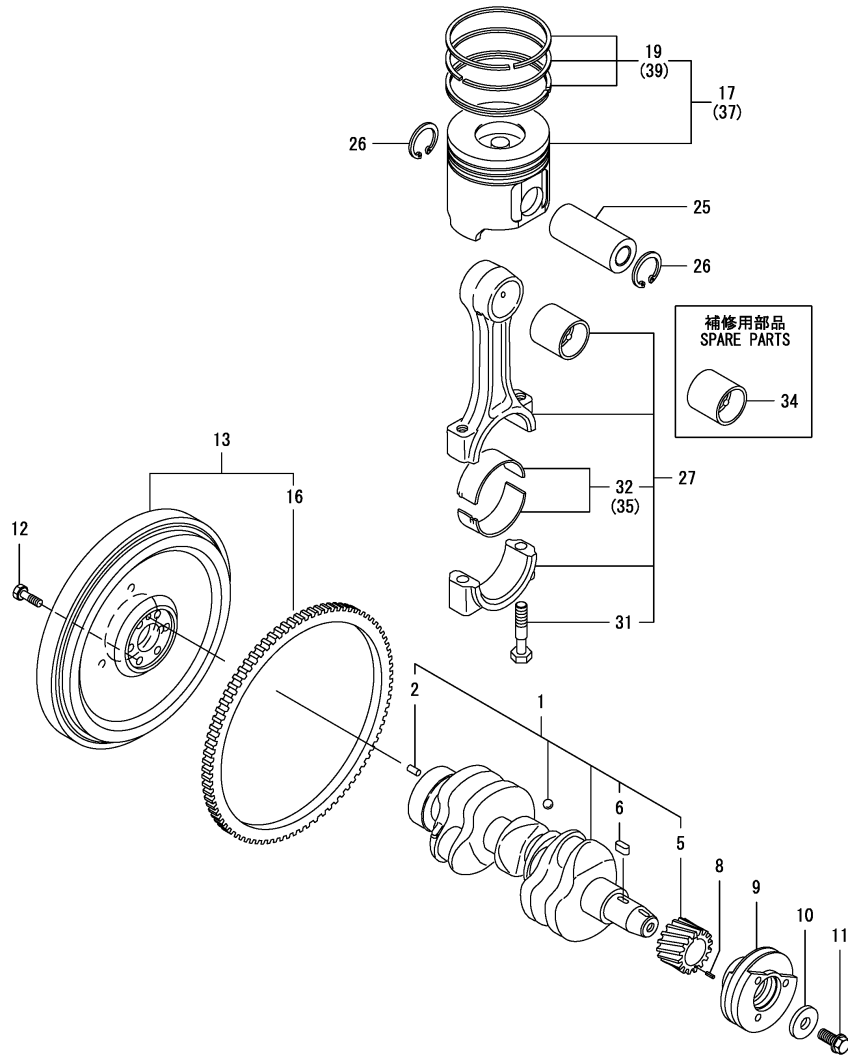
(B)=

(C)=

(D)=

(E)=

(F)=



No.	Lev.	Parts No.	Description	Q'ty						I	R
				(A)	(B)	(C)	(D)	(E)	(F)		
1	1	129008-21000	CRANKSHAFT ASSY	1							
2	2	129100-01580	PIN, M8X16	1							
5	2	119803-21200	GEAR, CRANKSHAFT	1							
6	2	22512-070140	KEY, 7X 14	1							
8	1	22351-030010	PIN, SPRING 3.0X10	1							
9	1	129004-21650	V-PULLEY, 110	1							
10	1	129795-21661	WASHER	1							
11	1	121850-21680	BOLT	1							
12	1	121111-21501	BOLT, FLYWHEEL	6							
13	1	129128-21590	FLYWHEEL ASSY	1							
16	2	119865-21600	GEAR, RING	1							
17	1	129005-22080	PISTON ASSY	3							
19	2	129005-22500	RING SET, PISTON	3							
25	1	129202-22300	PIN, PISTON D26 L70	3							
26	1	22252-000260	RING, 26	6							
27	1	729402-23100	ROD ASSY, CONNECTING	3							
31	2	121550-23200	BOLT, CONNECTING ROD	6							
32	2	129150-23601	BEARING, CRANK PIN	3							
34	1	129100-23910	BEARING, PISTON PIN	3							1
35	1	129150-23611	BEARING, 0.25 US	3							2
37	1	129005-22900	PISTON ASSY, 0.25 OS	3							3
39	2	129005-22950	RING SET, 0.25 OS	3							3

Remarks

- (1) Spare parts.
- (2) Under-sized (U.S.=0.25) parts.
- (3) Over-sized (O.S.=0.25) parts.

Fig.9. LUB. OIL SYSTEM

(A)=3TNV88F-ESBV

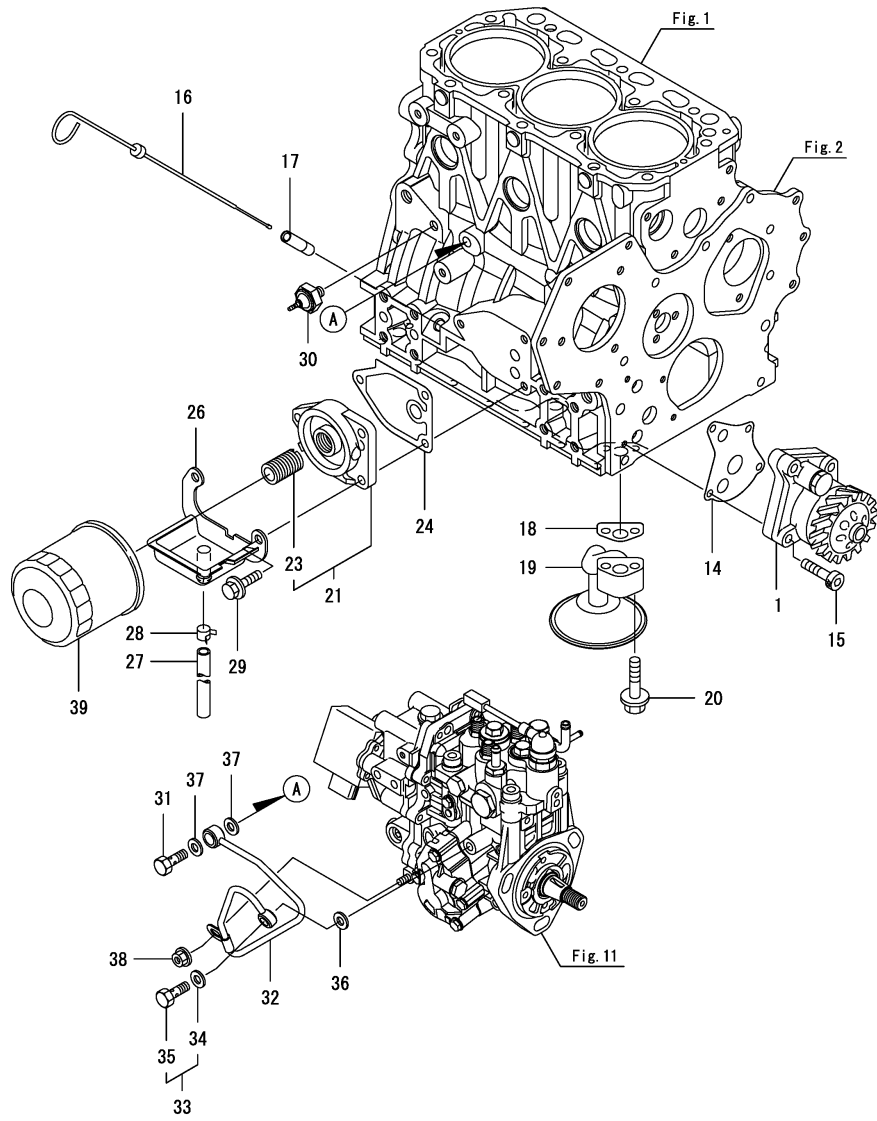
(B)=

(C)=

(D)=

(E)=

(F)=



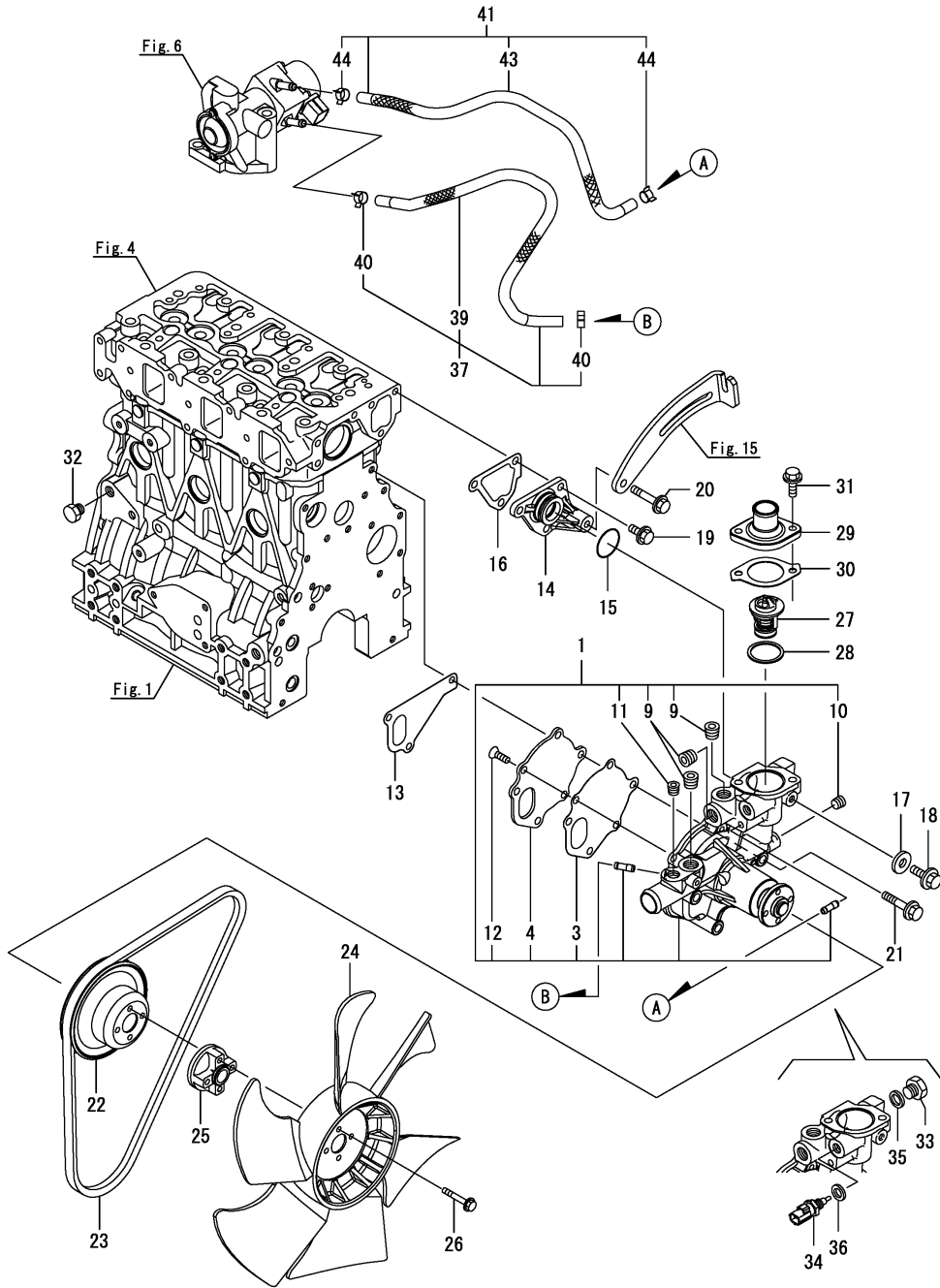
No.	Lev.	Parts No.	Description	Q'ty						I	R
				(A)	(B)	(C)	(D)	(E)	(F)		
1	1	129001-32001	PUMP ASSY, OIL	1							
14	1	129150-32020	GASKET, PUMP	1							
15	1	26450-060252	BOLT, M6X 25	4							
16	1	129004-34802	DIPSTICK, OIL	1							
17	1	121520-34810	GUIDE, DIPSTICK	1							
18	1	129150-35042	GASKET	1							
19	1	129100-35301	PIPE ASSY, OIL INLET	1							
20	1	26106-080352	BOLT, M8X 35 PLATED	2							
21	1	119802-35100	BRACKET ASSY, FILTER	1							
23	2	129100-35140	STUD	1							
24	1	129150-35111	GASKET	1							
26	1	129240-35800	OIL PAN	1							
27	1	23065-120230	PIPE, 12X 230	1							
28	1	23080-014000	CLAMP, 14	1							
29	1	26106-080202	BOLT, M8X 20 PLATED	3							
30	1	114250-39450	SWITCH, 0.5KG	1							
31	1	124160-39140	BOLT, PIPE JOINT M10	1							
32	1	119802-39450	PIPE ASSY, OIL	1							
33	1	129005-59830	BOLT ASSY, JOINT M8	1							
34	2	22190-080002	WASHER, SEAL 6	1							
35	2	23857-030000	BOLT, JOINT 3	1							
36	1	22190-080002	WASHER, SEAL 6	1							
37	1	22190-100002	WASHER, SEAL 10	2							
38	1	26366-060002	NUT, M6	1							
39	1	129150-35170	FILTER, LO	1							1

Remarks

(1) Spare parts.

N:Old $\xrightarrow{\text{Yes}}$ New, Q:Old $\xrightarrow{\text{No}}$ New, R:Old $\xrightarrow{\text{Yes}}$ New, S:Old $\xrightarrow{\text{No}}$ New, W:Add, Z:Discontinued, F:Interchangeable by set, K:Q'ty Change

Fig.10. COOLING WATER SYSTEM



(A)=3TNV88F-ESBV

(B)=

(C)=

(D)=

(E)=

(F)=

No.	Lev.	Parts No.	Description	Q'ty						I	R
				(A)	(B)	(C)	(D)	(E)	(F)		
1	1	129017-42000	PUMP ASSY, CW	1							
3	2	129100-42051	GASKET, WATER PUMP	1							
4	2	129100-42121	PLATE	1							
9	2	129916-49740	PLUG, R03	3							
10	2	23876-010000	PLUG, R01	1							
11	2	23876-020000	PLUG, R02	1							
11-1	2	23875-020000	PLUG, R02	1							N
(A=EXXXXX)											
12	2	26577-060142	SCREW M 6X 14	3							
13	1	129486-42021	GASKET, WATER PUMP	1							
14	1	129004-42040	JOINT	1							
15	1	129486-42140	O-RING, G30	1							
16	1	124395-49840	GASKET	1							
17	1	23414-080000	GASKET, 8X1.0	1							
18	1	26106-080122	BOLT, M8X 12 PLATED	1							
19	1	26106-080162	BOLT, M8X 16 PLATED	3							
20	1	26106-080452	BOLT, M8X 45 PLATED	1							
21	1	26106-080602	BOLT, M8X 60 PLATED	3							
22	1	129550-42350	V-PULLEY, D=120	1							
23	1	129612-42350	V-BELT, A38	1							
24	1	129030-44740	FAN, COOLING D360XUG	1							
25	1	171353-44760	SPACER, FAN	1							
26	1	26106-060402	BOLT, M6X 40 PLATED	4							
27	1	129155-49801	THERMOSTAT, 71	1							
28	1	129150-49811	GASKET, THERMOSTAT	1							
29	1	129350-49530-1	COVER, THERMOSTAT	1							
30	1	129795-49551	GASKET	1							
31	1	26106-080222	BOLT, M8X 22 PLATED	2							
32	1	171056-49120	PLUG, DRAIN	1							
33	1	121450-42450	PLUG, M16	1							
34	1	129927-44900	SENSOR	1							
35	1	124465-44950	GASKET, 16	1							
36	1	22190-120002	WASHER, SEAL 12	1							
37	1	129017-49650	PIPE ASSY, A CW EGR	1							
39	2	129931-59560	PROTECTOR	1							
40	2	23080-012000	CLAMP, 12	2							
41	1	129017-49660	PIPE ASSY, B CW EGR	1							
43	2	129931-59560	PROTECTOR	1							
44	2	23080-012000	CLAMP, 12	2							

Fig.11. FUEL INJECTION PUMP

(A)=3TNV88F-ESBV

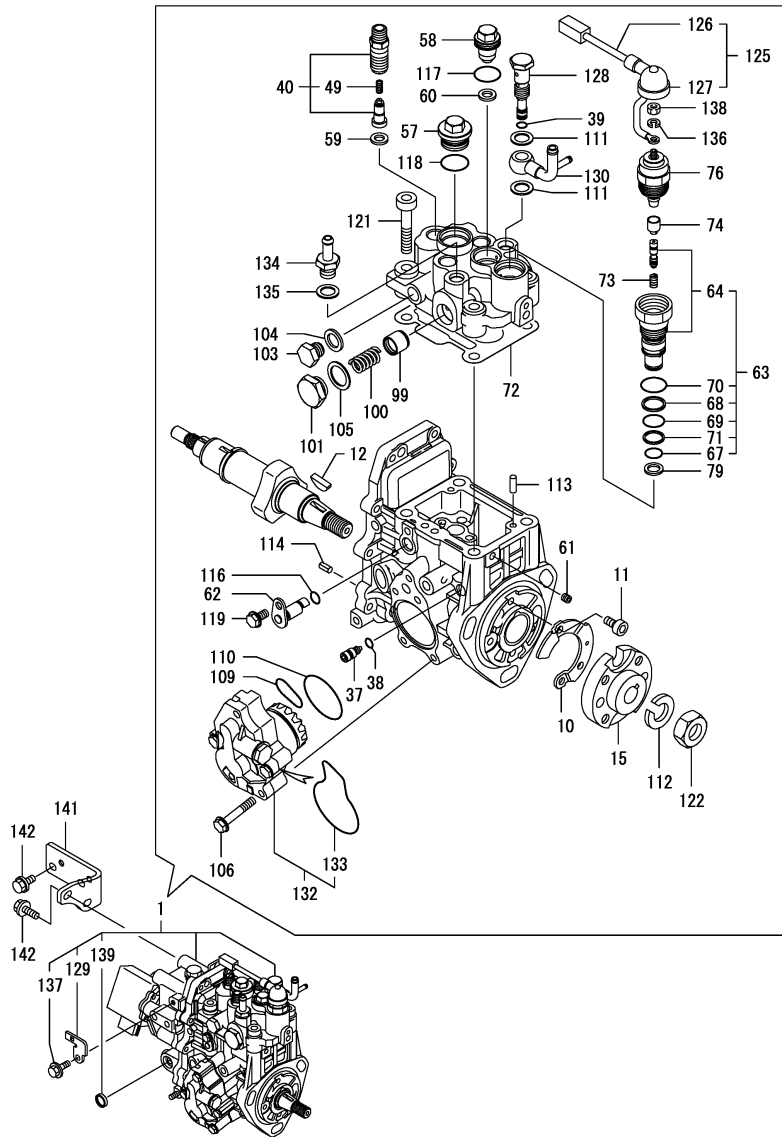
(B)=

(C)=

(D)=

(E)=

(F)=



No.	Lev.	Parts No.	Description	Q'ty						I	R
				(A)	(B)	(C)	(D)	(E)	(F)		
1	1	729017-51310	FIE ASSY	1							1
10	2	129008-51900	COVER, GEAR CASE	1							
11	2	129008-51920	BOLT, M6X10	2							
12	2	119802-51090	KEY, 4X16	1							
15	2	158552-51151	FLANGE	1							
37	2	158600-51270	STOPPER, TAPPET	1							
38	2	158563-51281	O-RING, 4D S6	1							
39	2	158563-51281	O-RING, 4D S6	1							
40	2	129008-51390	VALVE ASSY, DELIVERY	3							
49	3	158563-51330	SPRING, DELIVERY	3							
57	2	158601-51550	PLUG	1							
58	2	119802-51560	PLUG, BARREL	1							
59	2	158552-51571	GASKET	3							
60	2	158552-51571	GASKET	1							
61	2	158557-51570	PLUG	1							
62	2	158552-51580	LIFTER	1							
63	2	129657-51590	TIMER SET	1							
64	3	129657-51600	TIMER ASSY	1							
67	3	158553-51670	O-RING, 1011	1							
68	3	119802-51680	RING, BACK UP	1							
69	3	119802-51690	O-RING	1							
70	3	24356-190200	O-RING, 4D19020	1							
71	3	24372-000150	RING, BACK UP T2P15	1							
72	2	158552-51600	GASKET	1							
73	2	119852-51630	SPRING, TIMER	1							
74	2	119852-51640	CAP	1							
76	2	119852-51650	VALVE ASSY	1							
79	2	158553-51680	GASKET	1							
99	2	158601-51770	PISTON	1							
100	2	158552-51781	SPRING	1							
101	2	158601-51790	PLUG	1							
103	2	158553-51930	PLUG, M12	1							
104	2	22190-120002	WASHER, SEAL 12	1							
105	2	22190-180002	WASHER, SEAL 18	1							
106	2	158553-51770	BOLT	4							
109	2	158552-52311	O-RING	1							
110	2	158552-52400	O-RING, 4E S42	1							
111	2	22190-120002	WASHER, SEAL 12	2							
112	2	22217-140000	WASHER, SPRING 14	1							
113	2	22312-050140	PIN, PARALLEL M5X14	2							
114	2	22351-050010	PIN, SPRING 5.0X10	2							
116	2	24311-000070	O-RING, 1AP7.0	1							
117	2	24356-190180	O-RING, 4D19018	1							
118	2	24356-190200	O-RING, 4D19020	1							
119	2	26106-060102	BOLT, M6X 10 PLATED	1							
121	2	26450-080452	BOLT, M8X 45	4							
122	2	26776-140002	NUT, LOCK M14	1							
125	2	129927-51650	HARNESS ASSY, WIRE	1							
126	3	129927-51660	HARNESS	1							
127	3	129263-77941	CAP, RUBBER	1							
128	2	158601-51650	JOINT, OVER FLOW	1							

Remarks

(1)Governor(Fig.12) is incorporated in this Fuel Injection Pump(No.1).

(1)Eco pump

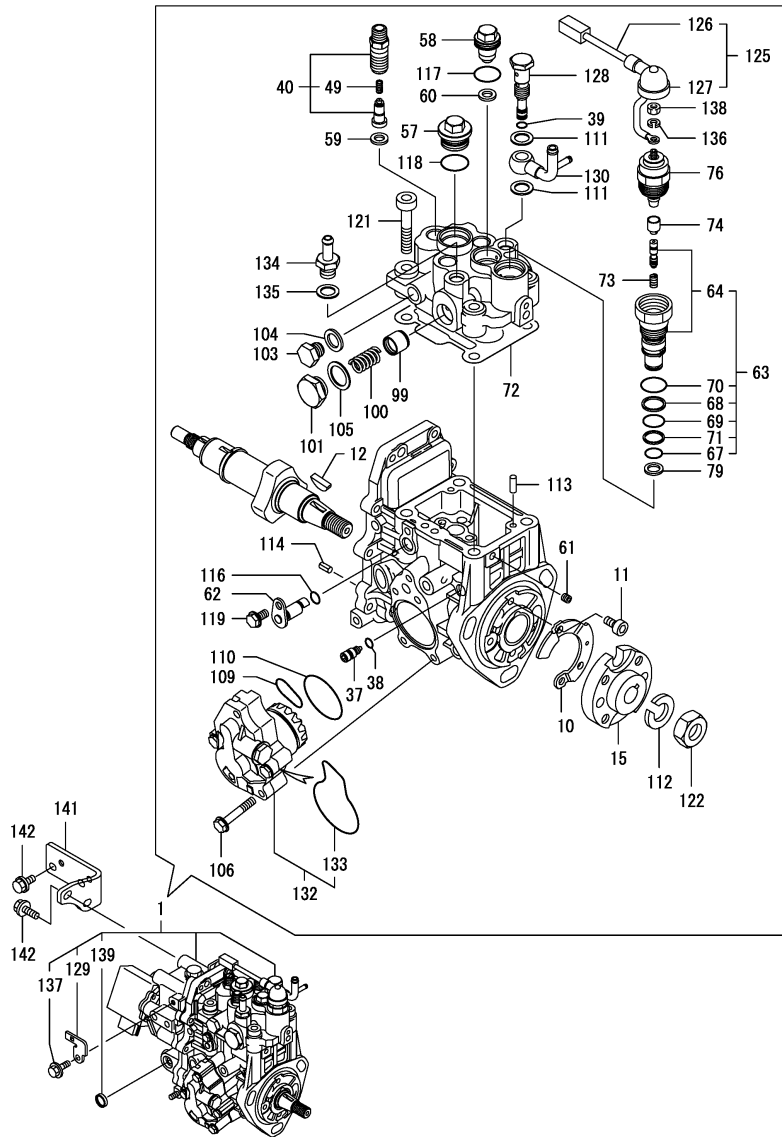
Make sure to update the engines ECU information when replacing the Eco pump.

Failing to do so will result in engine malfunction.

Fig.11. FUEL INJECTION PUMP

(A)=3TNV88F-ESBV
(B)=
(C)=

(D)=
(E)=
(F)=



No.	Lev.	Parts No.	Description	Q'ty						I	R
				(A)	(B)	(C)	(D)	(E)	(F)		
129	2	129927-51670	BRACKET	1							
130	2	158552-51670	JOINT, OVER FLOW	1							
132	2	158552-52100	PUMP ASSY, FUEL FEED	1							
133	3	158552-52500	O-RING	1							
134	2	119934-59910	JOINT, PIPE	1							
135	2	22190-120002	WASHER, SEAL 12	1							
136	2	22217-050000	WASHER, SPRING 5	1							
137	2	26106-060142	BOLT, M6X 14 PLATED	1							
138	2	26716-050002	NUT, M5	1							
139	2	27241-160000	PLUG, 16	1							
141	1	129263-51251	RETAINER, PUMP	1							
142	1	26106-080162	BOLT, M8X 16 PLATED	4							

Remarks

(1)Governor(Fig.12) is incorporated in this Fuel Injection Pump(No.1).

(1)Eco pump

Make sure to update the engines ECU information when replacing the Eco pump.

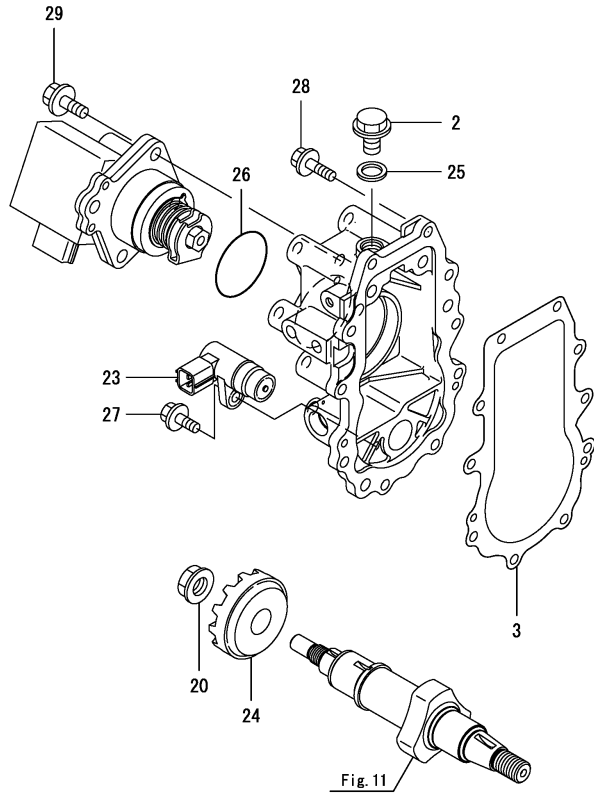
Failing to do so will result in engine malfunction.

N:Old $\xrightarrow{\text{Yes}}$ New, Q:Old $\xrightarrow{\text{No}}$ New, R:Old $\xrightarrow{\text{Yes}}$ New, S:Old $\xrightarrow{\text{No}}$ New, W:Add, Z:Discontinued, F:Interchangeable by set, K:Q'ty Change

Fig.12. GOVERNOR

(A)=3TNV88F-ESBV
(B)=
(C)=

(D)=
(E)=
(F)=



No.	Lev.	Parts No.	Description	Q'ty						I	R
				(A)	(B)	(C)	(D)	(E)	(F)		
2	2	158553-51930	PLUG, M12	1							
3	2	158553-61050	GASKET	1							
20	2	129008-61301	NUT	1							
23	2	158557-61720	SENSOR	1							
24	2	158553-61780	GEAR, SENSOR	1							
25	2	22190-120002	WASHER, SEAL 12	1							
26	2	24341-000480	O-RING, 1AS48.0	1							
27	2	26106-060162	BOLT, M6X 16 PLATED	1							
28	2	26106-060202	BOLT, M6X 20 PLATED	10							
29	2	26106-080252	BOLT, M8X 25 PLATED	3							

Remarks

* This figure(Governor) is incorporated in the Fuel Injection Pump(Fig.11).

Fig.13. FUEL INJECTION VALVE

(A)=3TNV88F-ESBV

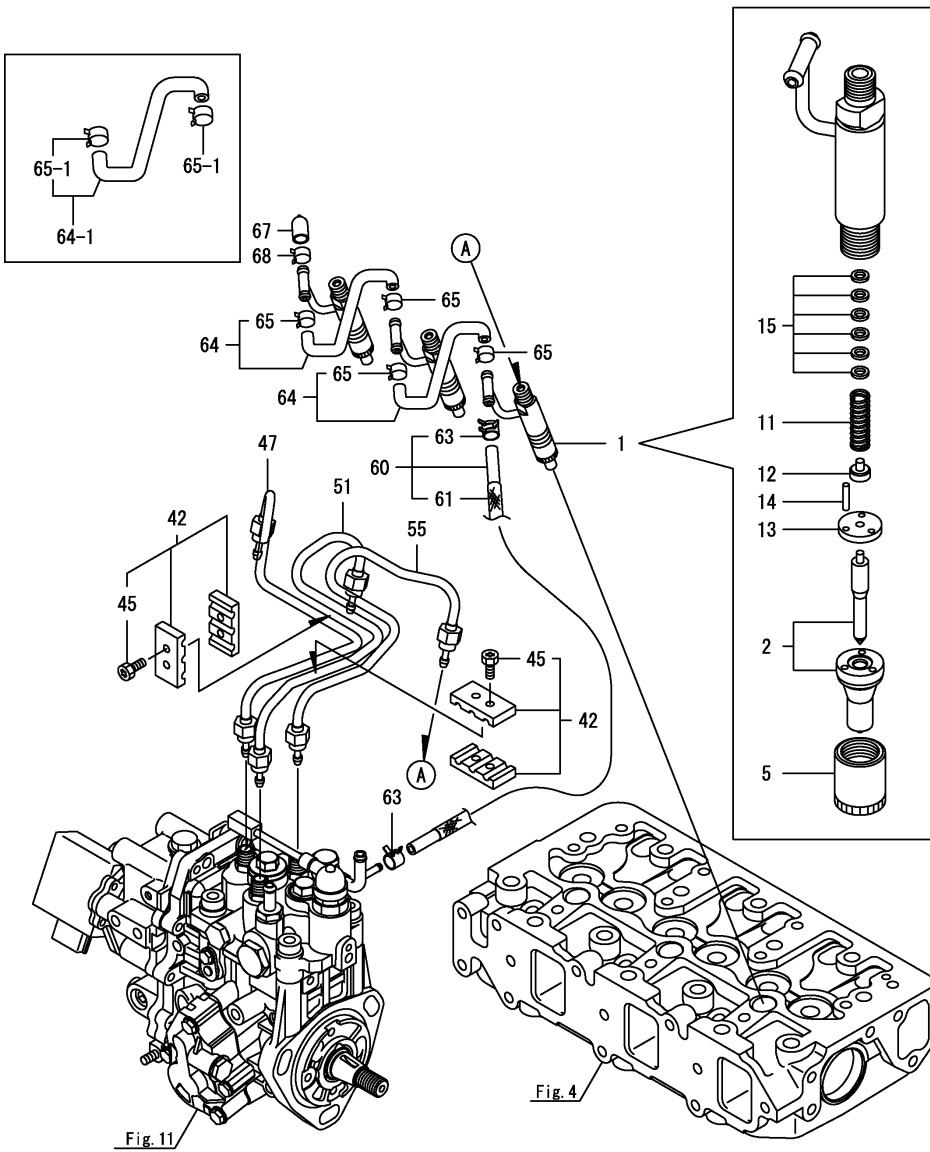
(B)=

(C)=

(D)=

(E)=

(F)=



No.	Lev.	Parts No.	Description	Q'ty						I	R
				(A)	(B)	(C)	(D)	(E)	(F)		
1	1	729017-53100	FUEL INJECTOR ASSY	3							
2	2	129017-53000	NOZZLE ASSY	3							
5	2	114250-53080	NUT, NOZZLE D16.95	3							
11	2	114250-53120	SPRING, NOZZLE	3							
12	2	114250-53130	SEAT, SPRING	3							
13	2	114250-53140	PLATE	3							
14	2	114250-53210	PIN	6							
15	2	119803-53400	SHIM SET	3							
42	1	129150-59120	RETAINER, PIPE	2							
45	2	129150-59131	BOLT, M4X14	4							
47	1	129017-59810	PIPE	1							
51	1	129017-59820	PIPE	1							
55	1	129017-59830	PIPE	1							
60	1	129268-59551	PIPE ASSY, RETURN	1							
61	2	129237-59120	PROTECTOR, HOSE	1							
63	2	124060-77680	CLIP, HOSE 10	2							
64	1	129486-59551	PIPE ASSY, RETURN	2							
64-1	1	129486-59581	HOSE, FUEL	2							F
(A=EXXXXX)											
65	2	124722-59050	CLIP, HOSE 9	4							
65-1	2	124060-77680	CLIP, HOSE 10	4							S
(A=EXXXXX)											
67	1	119593-59581	CAP	1							
68	1	124060-77680	CLIP, HOSE 10	1							

Fig.14. STARTER MOTOR

(A)=3TNV88F-ESBV

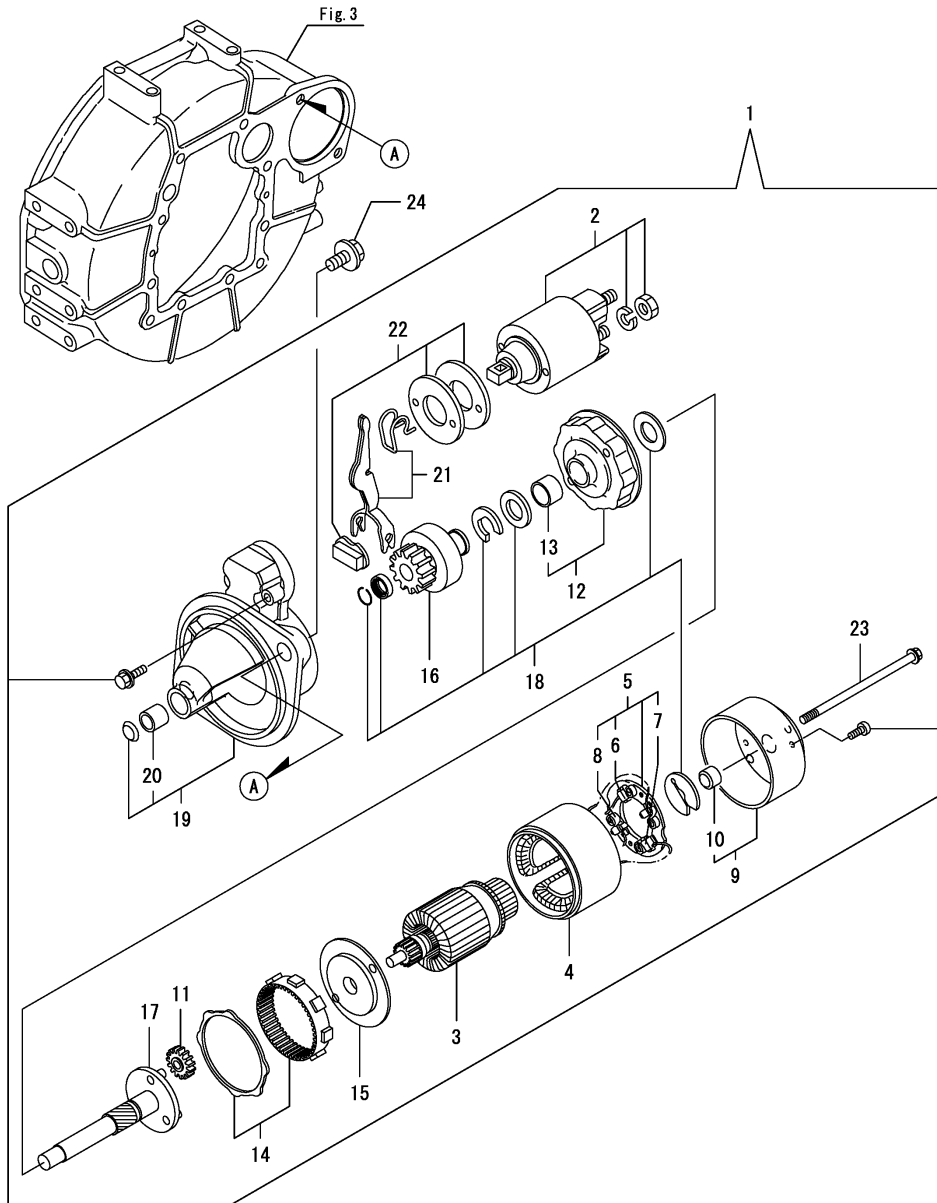
(B)=

(C)=

(D)=

(E)=

(F)=



No.	Lev.	Parts No.	Description	Q'ty						I	R
				(A)	(B)	(C)	(D)	(E)	(F)		
1	1	129242-77010	STARTER, 1.7	1							
2	2	129698-77020	SWITCH ASSY	1							
3	2	129242-77100	ARMATURE ASSY	1							
4	2	129242-77110	YOKE ASSY	1							
5	2	129242-77120	HOLDER ASSY, BRUSH	1							
6	3	129242-77130	BRUSH	2							
7	3	129242-77140	BRUSH SET	1							
8	3	129242-77150	SPRING	4							
9	2	129242-77160	COVER ASSY	1							
10	3	129242-77170	METAL	1							
11	2	118400-77170	GEAR	3							
12	2	129242-77180	BRACKET	1							
13	3	129698-77190	BRACKET	1							
14	2	129698-77200	GEAR, INTERNAL	1							
15	2	129242-77210	BRACKET	1							
16	2	129698-77220	PINION ASSY	1							
17	2	129698-77230	SHAFT	1							
18	2	129698-77250	WASHER SET	1							
19	2	129242-77260	CASE ASSY	1							
20	3	X2114535200	METAL, STARTER	1							
21	2	129242-77270	LEVER SET	1							
22	2	129242-77280	COVER ASSY, DUST	1							
23	2	124195-77770	BOLT, THROUGH	2							
24	1	26106-120252	BOLT, M12X 25 PLATED	2							

Fig.15. GENERATOR

(A)=3TNV88F-ESBV

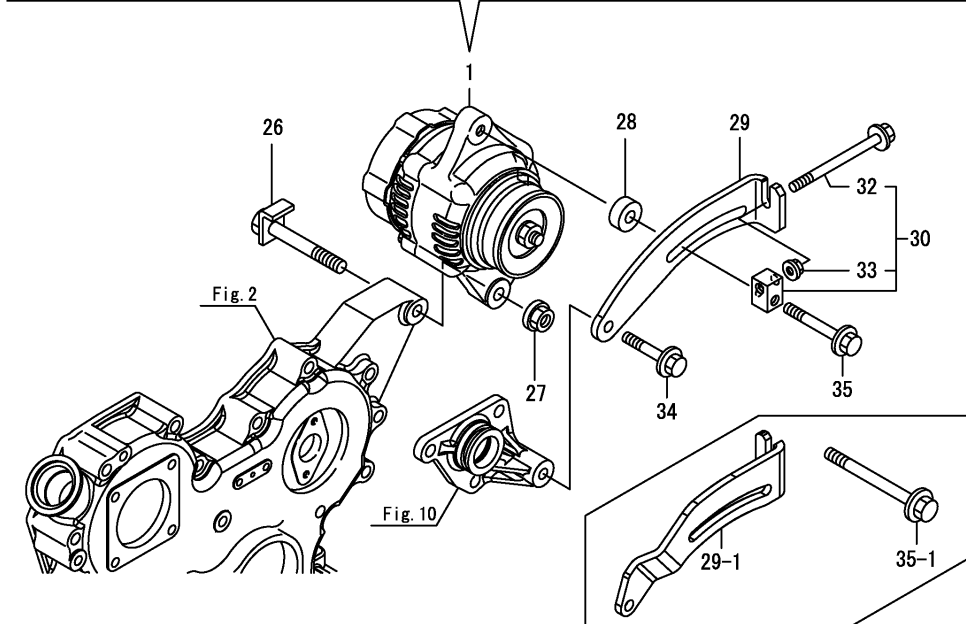
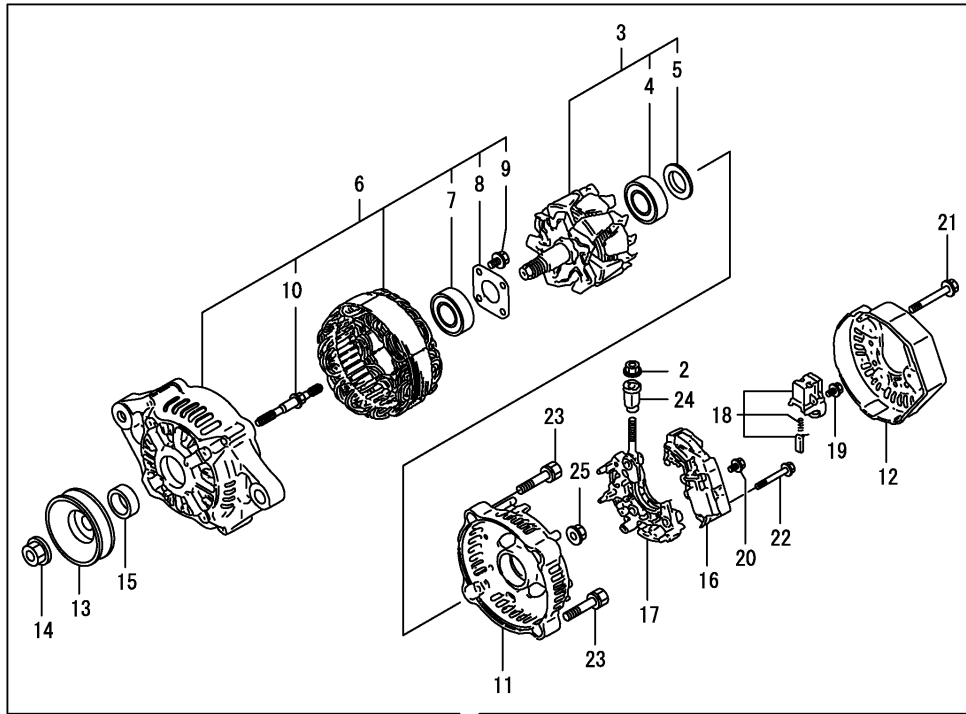
(B)=

(C)=

(D)=

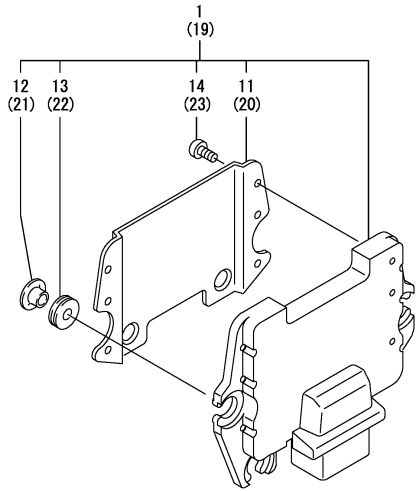
(E)=

(F)=



No.	Lev.	Parts No.	Description	Q'ty						I	R
				(A)	(B)	(C)	(D)	(E)	(F)		
1	1	119626-77210	ALTERNATOR, 12V-55A	1							
2	2	X9490561001	NUT	1							
3	2	129052-77380	ROTOR ASSY	1							
4	3	123501-79240	BEARING, BALL	1							
5	3	119620-79250	COVER	1							
6	2	129052-77422	FRAME ASSY	1							
7	3	119620-79200	BEARING, BALL	1							
8	3	119620-79210	PLATE, RETAINER	1							
9	3	119620-79220	SCREW	4							
10	3	119620-79230	STUD	2							
11	2	128401-77440	FRAME	1							
12	2	119626-77450	COVER	1							
13	2	119620-77461	PULLEY	1							
14	2	119620-77471	NUT	1							
15	2	119620-77490	COLLAR	1							
16	2	129423-77710	REGULATOR ASSY	1							
17	2	129052-79260	HOLDER	1							
18	2	129052-79270	HOLDER, BRUSH	1							
19	2	119620-79290	SCREW	6							
20	2	119620-79300	SCREW	1							
21	2	119620-79310	BOLT	3							
22	2	119620-79320	SCREW	2							
23	2	119620-79330	BOLT	2							
24	2	119620-79340	BUSH, INSULATION	1							
25	2	119620-79350	NUT	2							
26	1	119740-77251	BOLT, M10X80	1							
27	1	26306-100002	NUT, M10	1							
28	1	119940-77270	SPACER, GENERATOR	1							Z
(A=EXXXXX)											
29	1	119940-77310	ADJUSTER	1							
29-1	1	129017-77320	ADJUSTER, BELT	1							S
(A=EXXXXX)											
30	1	119624-77351	BLOCK ASSY, ADJUSTER	1							
32	2	26106-081004	BOLT, M8X100 PLATED	1							
33	2	26306-080002	NUT, M8	1							
34	1	26106-080452	BOLT, M8X 45 PLATED	1							
35	1	26106-080552	BOLT, M8X 55 PLATED	1							
35-1	1	129972-77341	BOLT, ADJUSTER L=50	1							S
(A=EXXXXX)											

Fig.16. ELECTRONIC CONTROL UNIT(ECU)



(A)=3TNV88F-ESBV
(B)=
(C)=

(D)=
(E)=
(F)=

No.	Lev.	Parts No.	Description	Q'ty						I	R
				(A)	(B)	(C)	(D)	(E)	(F)		
1	1	129017-75020	ECU ASSY	1							1
11	2	129927-77600	SHIELD	1							
12	2	129927-77680	COLLAR	3							
13	2	119578-91351	ABSORBER	3							
14	2	22877-500080	SCREW, 5X 8	6							
19	1	129927-75900	ECU ASSY(SERVICE YMR	1							2
20	2	129927-77600	SHIELD	1							
21	2	129927-77680	COLLAR	3							
22	2	119578-91351	ABSORBER	3							
23	2	22877-500080	SCREW, 5X 8	6							

Remarks

(1)Eco ECU

This part cannot be ordered.

Replace the part using a Service ECU with the proper engine information installed.

(2)Service ECU

If the proper information is not installed, the engine will not operate.

To install proper information, go to an authorized distributor.

Fig.17. GASKET SET

(A)=3TNV88F-ESBV

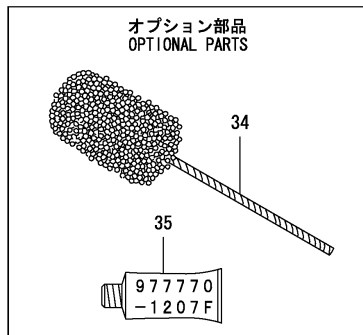
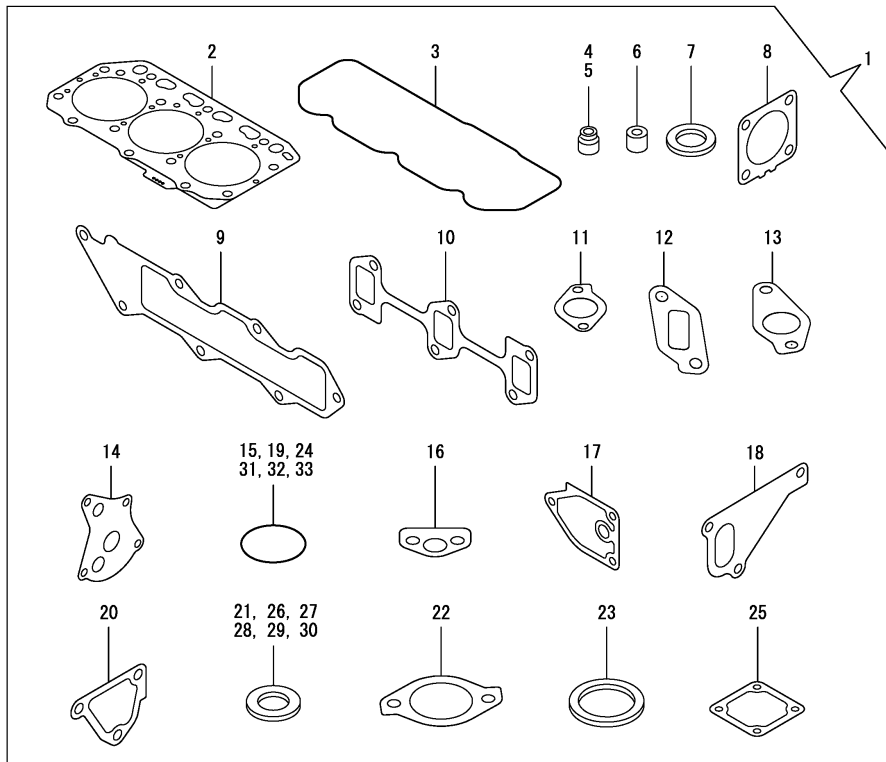
(B)=

(C)=

(D)=

(E)=

(F)=



No.	Lev.	Parts No.	Description	Q'ty						I	R
				(A)	(B)	(C)	(D)	(E)	(F)		
1	1	129017-92610	PACKING	1							1
2	2	129001-01340	GASKET, HEAD	1							
3	2	129004-11310	GASKET, BONNET	1							
4	2	121400-11340	SEAL, VALVE STEM	3							
5	2	124460-11340	SEAL, VALVE STEM	3							
6	2	119802-11870	PROTECTOR, NOZZLE	3							
7	2	119625-11880	SEAT, NOZZLE	3							
8	2	129004-13200	GASKET, SILENCER	1							
9	2	129017-12110	GASKET,INT.MANIFOLD	1							
10	2	129150-13110	GASKET	1							
11	2	129927-13810	GASKET	1							
12	2	129927-13910	GASKET	1							
13	2	129927-13920	GASKET	1							
14	2	129150-32020	GASKET, PUMP	1							
15	2	119609-32040	O-RING, P16	2							
16	2	129150-35042	GASKET	1							
17	2	129150-35111	GASKET	1							
18	2	129486-42021	GASKET, WATER PUMP	1							
19	2	129486-42140	O-RING, G30	1							
20	2	124395-49840	GASKET	1							
21	2	124465-44950	GASKET, 16	1							
22	2	129795-49551	GASKET	1							
23	2	129150-49811	GASKET, THERMOSTAT	1							
24	2	121850-51960	O-RING	1							
25	2	129150-77511	GASKET	1							
26	2	22190-080002	WASHER, SEAL 6	7							
27	2	22190-100002	WASHER, SEAL 10	2							
28	2	22190-120002	WASHER, SEAL 12	1							
29	2	22190-220002	WASHER, SEAL 22	1							
30	2	23414-080000	GASKET, 8X1.0	1							
31	2	24311-000120	O-RING, 1AP12.0	3							
32	2	24311-000320	O-RING, 1AP32.0	3							
33	2	24341-000240	O-RING, 1AS24.0	1							
34	1	129400-92430	HONE	1							1
35	1	977770-1207F	GASKET.LIQUID	1							1

Remarks

(1)Optional parts.

N:Old $\xrightarrow{\text{Yes}}$ New, Q:Old $\xrightarrow{\text{No}}$ New, R:Old $\xrightarrow{\text{Yes}}$ New, S:Old $\xrightarrow{\text{No}}$ New, W:Add, Z:Discontinued, F:Interchangeable by set, K:Q'ty Change

Parts No. Index

Parts No.	Fig. No.	Ref. No.
114250-39450	9	30
114250-53080	13	5
114250-53120	13	11
114250-53130	13	12
114250-53140	13	13
114250-53210	13	14
118400-77170	14	11
119578-91351	16	13
		22
119593-59581	13	67
119609-32040	2	12
	17	15
119620-01750	3	3
119620-77461	15	13
119620-77471	15	14
119620-77490	15	15
119620-79200	15	7
119620-79210	15	8
119620-79220	15	9
119620-79230	15	10
119620-79250	15	5
119620-79290	15	19
119620-79300	15	20
119620-79310	15	21
119620-79320	15	22
119620-79330	15	23
119620-79340	15	24
119620-79350	15	25
119624-77351	15	30
119625-11880	4	29
	17	7
119626-77210	15	1
119626-77450	15	12
119640-01640	3	9
119740-77251	15	26
119802-01561	2	8
119802-03110	4	40
119802-03121	4	41
119802-03130	4	42
119802-03141	4	43
119802-11260	4	4
119802-11270	4	5
119802-11280	4	6
119802-11870	4	28
	17	6
119802-25071	7	17
119802-25101	7	11
119802-25901	7	16
119802-35100	9	21
119802-39450	9	32

Parts No.	Fig. No.	Ref. No.
119802-51090	11	12
119802-51560	11	58
119802-51680	11	68
119802-51690	11	69
119803-01520	2	7
119803-21200	8	5
119803-25050	7	10
119803-53400	13	15
119803-77830	4	57
119852-51630	11	73
119852-51640	11	74
119852-51650	11	76
119865-21600	8	16
119934-01800	2	6
119934-59910	11	134
119940-77270	15	28
119940-77310	15	29
120130-11860	4	60
120270-54410	4	31
121023-01551	2	22
121111-21501	8	12
121400-11340	4	24
	17	4
121450-42450	10	33
121520-34810	9	17
121550-23200	8	31
121850-21680	8	11
121850-51960	2	13
	17	24
123501-79240	15	4
123900-13610	6	5
123900-13630	6	6
124060-01050	1	5
124060-77680	13	63
		65 -1
		68
124160-01751	2	9
	4	36
124160-01910	1	7
		8
124160-11360	4	51
124160-39140	9	31
124195-77770	14	23
124240-01871	2	10
124395-49840	10	16
	17	20
124460-11340	4	25
	17	5
124465-44950	10	35
	17	21

Parts No.	Fig. No.	Ref. No.
124722-59050	13	65
128401-77440	15	11
129001-01250	1	6
129001-01340	1	29
	17	2
129001-02931	1	30
129001-32001	9	1
129004-03010	4	38
129004-11241	4	1
129004-11251	4	2
129004-11310	4	46
	17	3
129004-11650	4	8
129004-11900	4	30
129004-13200	6	8
	17	8
129004-21650	8	9
129004-34802	9	16
129004-42040	10	14
129005-11100	4	20
129005-22080	8	17
129005-22500	8	19
129005-22900	8	37
129005-22950	8	39
129005-59830	9	33
129008-21000	8	1
129008-51390	11	40
129008-51900	11	10
129008-51920	11	11
129008-61301	12	20
129008-77800	4	58
129008-77820	4	59
129017-03120	5	1
129017-07910	4	55 -1
129017-11350	4	37
129017-11700	4	13
129017-12110	5	4
	17	9
129017-12170	5	5
129017-13100	6	3
129017-13150	6	2
129017-13880	6	13
129017-13900	6	19
129017-42000	10	1
129017-49650	10	37
129017-49660	10	41
129017-53000	13	2
129017-59810	13	47
129017-59820	13	51
129017-59830	13	55

Parts No.	Fig. No.	Ref. No.
129017-75020	16	1
129017-77320	15	29 -1
129017-92610	17	1
129030-44740	10	24
129052-77380	15	3
129052-77422	15	6
129052-79260	15	17
129052-79270	15	18
129100-01580	3	1
		16
	8	2
129100-01640	3	17
129100-01730	3	6
129100-11112	4	21
129100-23910	8	34
129100-35140	9	23
129100-35301	9	19
129100-34051	10	3
129100-42121	10	4
129128-21590	8	13
129129-14580	7	3
129136-01780	3	8
129150-01200	1	28
129150-02020	1	10
129150-02450	7	4
129150-02871	1	33
129150-02931	1	25
129150-02941	1	36
129150-03070	4	39
129150-11230	4	9
129150-11280	4	7
129150-11370	4	12
129150-11750	4	11
129150-11810	4	61
129150-13110	6	1
	17	10
129150-14101	7	7
129150-14200	7	1
129150-14400	7	2
129150-23601	8	32
129150-23611	8	35
129150-25301	7	15
129150-32020	9	14
	17	14
129150-35042	9	18
	17	16
129150-35111	9	24
	17	17
129150-35170	9	39
129150-49811	10	28

Parts No. Index

Parts No.	Fig. No.	Ref. No.
129150-49811	17	23
129150-59120	13	42
129150-59131	13	45
129150-77511	5	8
	17	25
129155-49801	10	27
129202-22300	8	25
129237-13500	6	9
129237-59120	13	61
129240-35800	9	26
129242-77010	14	1
129242-77100	14	3
129242-77110	14	4
129242-77120	14	5
129242-77130	14	6
129242-77140	14	7
129242-77150	14	8
129242-77160	14	9
129242-77170	14	10
129242-77180	14	12
129242-77210	14	15
129242-77260	14	19
129242-77270	14	21
129242-77280	14	22
129263-51251	11	141
129263-77941	11	127
129268-59551	13	60
129350-49530-1	10	29
129400-92430	17	34
129410-03990	5	3
129418-18320	6	4
129423-77710	15	16
129486-01670	3	20
129486-42021	10	13
	17	18
129486-42140	10	15
	17	19
129486-59551	13	64
129486-59581	13	64 -1
129550-42350	10	22
129612-01600	3	2
129612-42350	10	23
129648-07900	4	54
129657-51590	11	63
129657-51600	11	64
129698-77020	14	2
129698-77190	14	13
129698-77200	14	14
129698-77220	14	16
129698-77230	14	17

Parts No.	Fig. No.	Ref. No.
129698-77250	14	18
129795-01780	3	19
129795-01950	2	11
129795-02412	1	13
129795-11120	4	22
129795-11180	4	23
129795-21661	8	10
129795-49551	10	30
	17	22
129916-49740	10	9
129927-13810	6	12
	17	11
129927-13910	6	20
	17	12
129927-13920	6	21
	17	13
129927-44900	10	34
129927-51650	11	125
129927-51660	11	126
129927-51670	11	129
129927-75900	16	19
129927-77600	16	11
		20
129927-77680	16	12
		21
129928-79700	4	47
129930-07910	4	55
129931-59560	10	39
		43
129972-77341	15	35 -1
158552-51151	11	15
158552-51571	11	59
		60
158552-51580	11	62
158552-51600	11	72
158552-51670	11	130
158552-51781	11	100
158552-52100	11	132
158552-52311	11	109
158552-52400	11	110
158552-52500	11	133
158553-51670	11	67
158553-51680	11	79
158553-51770	11	106
158553-51930	11	103
	12	2
158553-61050	12	3
158553-61780	12	24
158557-51570	11	61
158557-61720	12	23

Parts No.	Fig. No.	Ref. No.
158563-51281	11	38
		39
158563-51330	11	49
158600-51270	11	37
158601-51550	11	57
158601-51650	11	128
158601-51770	11	99
158601-51790	11	101
171031-11741	2	25
171051-01921	1	9
171056-49120	10	32
171340-77520	5	9
171353-44760	10	25
22190-080002	2	14
	9	34
		36
	17	26
22190-100002	9	37
	17	27
22190-120002	10	36
	11	104
		111
		135
	12	25
	17	28
22190-180002	11	105
22190-220002	3	11
	17	29
22217-050000	11	136
22217-140000	11	112
22252-000260	8	26
22312-050140	11	113
22351-030010	8	8
22351-050010	11	114
22351-060012	4	32
22512-070140	7	8
	8	6
22857-500100	4	48
		49
22877-500080	16	14
		23
23065-120230	9	27
23080-012000	10	40
		44
23080-014000	9	28
23414-080000	10	17
	17	30
23857-030000	9	35
23875-020000	10	11 -1
23876-010000	10	10

Parts No.	Fig. No.	Ref. No.
23876-020000	10	11
24311-000070	11	116
24311-000120	4	52
	17	31
24311-000320	2	15
		26
	4	53
	17	32
24341-000240	2	23
	17	33
24341-000480	12	26
24356-190180	11	117
24356-190200	11	70
		118
24372-000150	11	71
26106-060102	11	119
26106-060142	11	137
26106-060162	2	24
	12	27
26106-060202	12	28
26106-060402	10	26
26106-080102	4	50
26106-080122	10	18
26106-080142	7	9
26106-080162	2	16
		17
	3	12
	4	56
	10	19
	11	142
26106-080202	5	7
	9	29
26106-080222	10	31
26106-080252	3	13
	4	33
	5	7 -1
		10
	12	29
26106-080302	2	18
26106-080352	3	21
	4	34
	9	20
26106-080402	7	14
26106-080452	3	14
	10	20
	15	34
26106-080502	3	15
	4	35
26106-080552	2	19
	15	35

Parts No. Index

Parts No.	Fig. No.	Ref. No.
26106-080602	10	21
26106-080652	5	11
26106-080852	2	20
26106-081004	15	32
26106-100202	6	10
26106-100302	6	17
		22
26106-100952	6	23
26106-120252	14	24
26206-100252	3	4
26206-100302	3	5
26306-080002	2	21
	6	7
		11
		18
	15	33
26306-100002	15	27
26366-060002	9	38
26450-060252	9	15
26450-080452	11	121
26577-060142	10	12
26716-050002	11	138
26776-140002	11	122
27241-120000	1	14
27241-160000	11	139
27241-300000	1	15
27241-400000	4	19
27310-080001	4	26
729005-01560	1	1
729017-51310	11	1
729017-53100	13	1
729402-23100	8	27
729630-01500	2	1
977770-1207F	17	35
X2114535200	14	20
X9490561001	15	2

Parts No.	Fig. No.	Ref. No.
-----------	----------	----------

Parts No.	Fig. No.	Ref. No.
-----------	----------	----------

Parts No.	Fig. No.	Ref. No.
-----------	----------	----------