

0CB10-M78600EN

P R E F A C E

1. This parts catalog is the 1st edition of L100N6-PYT export engine for pump Model "YDP40TN".

Pub.No. : 0CB10-G78600
Published : August, 2009

2. Model name

Engine model	Vehicle		Vehicle made by
	Products	Model name	
L100N6-PYT	WATER PUMP	YDP40TN	DAISHIN INDUSTRIES LTD.

Directions for the Parts Catalog.

1. The parts stipulated in this Parts Catalog are not necessarily standard equipped parts.
2. Parts may change without prior notice.
3. The following is an example of the Parts Catalog format.

REF.	LEV.	PARTS NO.	DESCRIPTION	Q'TY						I	R
				(A)	(B)	(C)	(D)	(E)	(F)		
1	1	729595-51390	FUEL INJECTION PUMP	1	1	1	1	1			1
1-1	1	729595-51391	FUEL INJECTION PUMP	1	1	1	1	1		N	1
		(A=E00185) (B=E00200)									
3	2	26022-060162	SCREW M 6X 16	9	9	9	9	9			
3-1	2	26022-060162	SCREW M 6X 16	4	4	4	4	4		K	
		(A=E00156) (B=E00156) (C=E00156) (D=E00156) (E=E00156)									
4	2	129470-51040	CAMSHAFT	1	1	1	1	1			
5	2	122710-51050	BEARING, ROLLER	2	2	2	2	2			
6	2	129470-51060	RETAINER	1	1	1	1	1			

Remarks
(1) BOOST COMPEMSATOR TYPE. OPTIONAL PART, TO E00155,(4JH-DT, 4JH-DTZ

① Ref. No.

The Ref. No. listed may not be in accordance with the illustration Ref. No.

(Ex.) Illustration No.

List Ref No.

1

1

(Before change)

1-1

(After change)

For interchangeable symbols N, R and K, illustrations for new parts may be abbreviated.

② Lev. (Level)

Level indication

The numbers below indicate the level of relativity towards the main part.

1 ----- Main parts (Assembly parts)

2 ----- Sub component included in " 1 ".

3 ----- Sub component included in " 2 ".

Note) Parts that are not for sale are partially illustrated but not listed.

③ Interchangeability Mark

When a part change takes place, one of the following interchangeability symbols is indicated beside the part.

Symbol	Interchangeability	Contents note
N	Old $\begin{matrix} \leftarrow \text{Yes} \\ \text{No} \rightarrow \end{matrix}$ New	New Part is interchangeable for Old Part but Old Part is not interchangeable for New Part.
Q	Old $\begin{matrix} \leftarrow \text{No} \\ \text{Yes} \rightarrow \end{matrix}$ New	New Part is not interchangeable for Old Part but Old Part is interchangeable for New Part.
R	Old $\begin{matrix} \leftarrow \text{Yes} \\ \text{Yes} \rightarrow \end{matrix}$ New	New/ Old Parts are both interchangeable.
S	Old $\begin{matrix} \leftarrow \text{No} \\ \text{No} \rightarrow \end{matrix}$ New	New/ Old Parts are both not interchangeable.
W		Part discontinued.
Z		Part newly added.
F		Not interchangeable by a single part but interchangeable together with related parts.
K		Changes only for used parts quantities.

④ Effective Machine No.

When a part changes, the effective Machine No. will be indicated in the (A)-(F) column.

Product Symbol	Product No.	Product Symbol	Product No.
C	Clutch No. Compressor No.	F	Machine No. (Agricultural Equip.)
D	Drive No.	M	Machine No.
E	Engine No.	Note 1)	Date

Note 1) A date may follow the symbol. (Ex.) 1996.01

Note 2) " XXX " are for parts that could not be predicted or for engine models that could not be identified.

Note 3) (A=E00185) is the E (Engine Serial Number) for the column (A) model (in this case 4JH-DT) after the parts design change.

⑤ Remarks Mark

Figures or alphabets (symbols) are entered in the remarks column.

The comments (remarks) on parts that are indicated at the bottom of the illustration are the same symbols as those stated above.

Contents

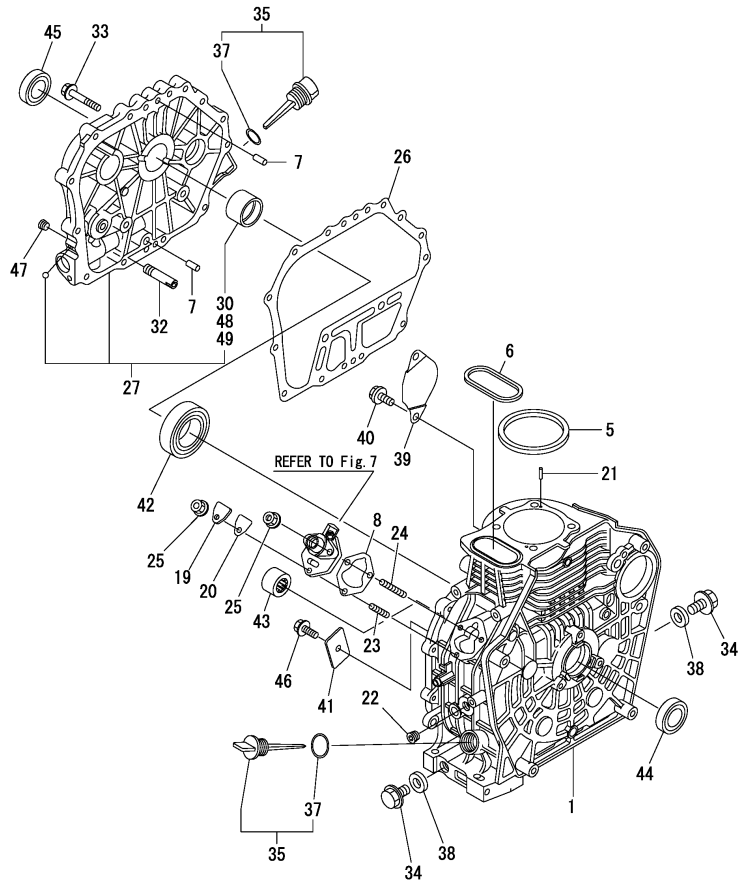
Fig. No. Fig. Name

L100N6-PYT

1. CYLINDERBLOCK
2. CYLINDERHEAD&BONNET
3. AIRCLEANER&MUFFLER
4. CRANKSHAFT,PISTON&CAMSHAFT
5. LUB.OILPUMP&GOVERNOR
6. COOLING&STARTINGDEVICE
7. F.I.PUMP&F.I.VALVE
8. TOOL,LABEL&GASKETSET
9. PARTS,ACCESSORY

Fig. No. Fig. Name

Fig.1. CYLINDERBLOCK



(A)=L100N6-PYT

(B)=

(C)=

(D)=

(E)=

(F)=

No.	Lev.	Parts No.	Description	Q'ty						I	R
				(A)	(B)	(C)	(D)	(E)	(F)		
1	1	11431C-01020	BLOCK ASSY, CYLINDER	1							
5	1	114651-01340	GASKET, HEAD T=0.5	1							
6	1	114650-01380	O-RING	1							
7	1	114270-01600	PIN, M8X12	2							
8	1	114250-01800	SHIM SET	1							
19	1	114250-01830	COVER	1							
20	1	114250-01841	GASKET	1							
21	1	22312-040080	PIN, PARALLEL M4X 8	2							
22	1	23875-020000	PLUG, R02	1							
23	1	26226-060182	STUD, M6X 18	1							
24	1	26226-060222	STUD, M6X 22	2							
25	1	26366-060002	NUT, M6	3							
26	1	114650-01412	GASKET, CRANK CASE	1							
27	1	11431C-01450	COVER, CRANK CASE	1							
30	2	114650-02100	BEARING, MAIN	1							1
32	1	114250-35150	PIPE, OIL INLET	1							
33	1	26106-080352	BOLT, M8X 35 PLATED	16							
34	1	105425-01690	PLUG, 16	2							
35	1	114699-01760	CAP ASSY	2							
37	2	114299-01950	O-RING, 18	2							
38	1	22190-160002	WASHER, SEAL 16	2							
39	1	114350-01700	COVER	1							
40	1	26106-100122	BOLT, M10X 12 PLATED	2							
41	1	114299-02030	RETAINER, BEARING	1							
42	1	114650-02150	BEARING, HR6308G3C3	1							
43	1	24162-152220	BEARING, 152220	1							
44	1	24423-355008	SEAL, OIL TC355008	1							
45	1	24423-355008	SEAL, OIL TC355008	1							
46	1	26106-080122	BOLT, M8X 12 PLATED	1							
47	1	23876-010000	PLUG, R01	1							
48	1	114650-02200	BEARING, 0.25 US	1							2
49	1	114650-02210	BEARING, 0.50 US	1							3

Remarks

- (1)REPAIR PART.
- (2)UNDER SIZED(U.S.=0.25)PART.
- (3)UNDER SIZED(U.S.=0.50)PART.

Fig.2. CYLINDERHEAD&BONNET

(A)=L100N6-PYT

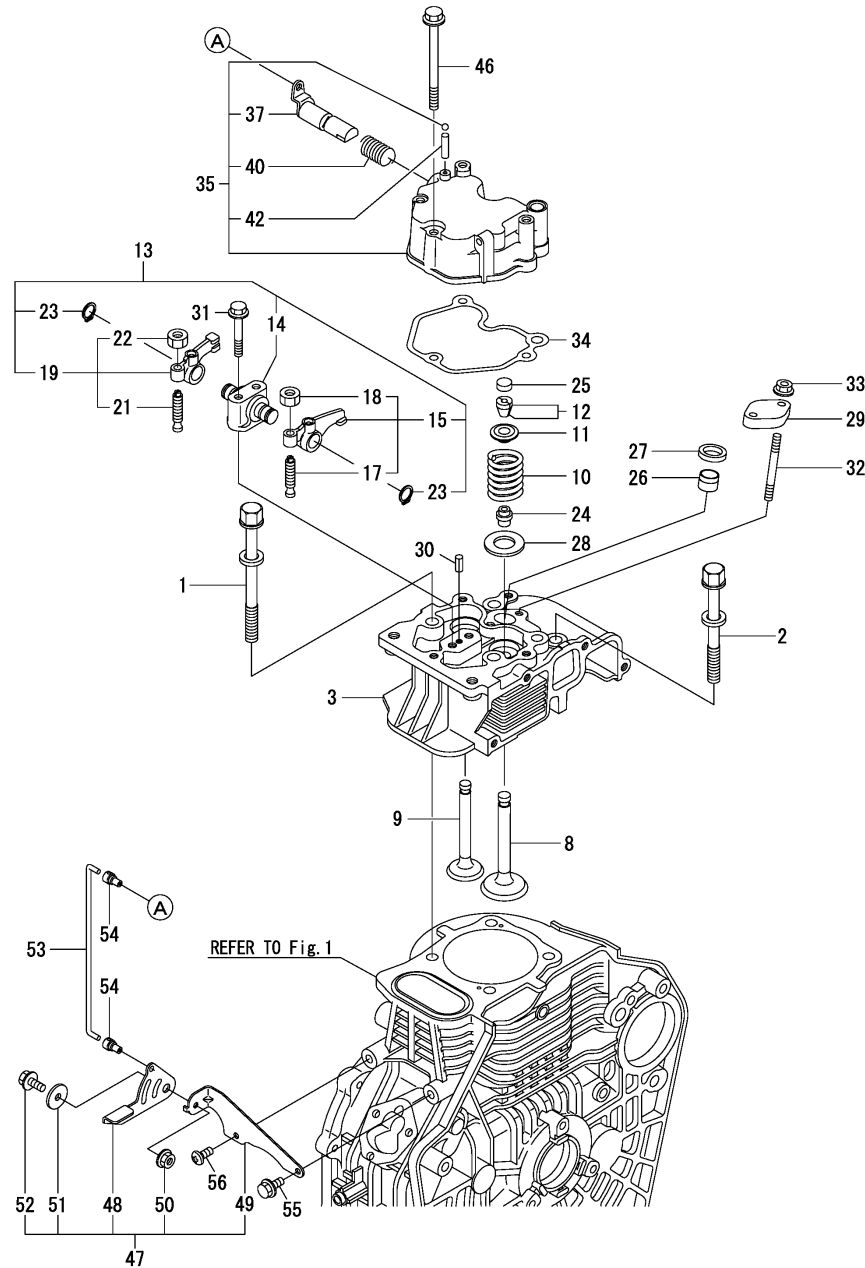
(B)=

(C)=

(D)=

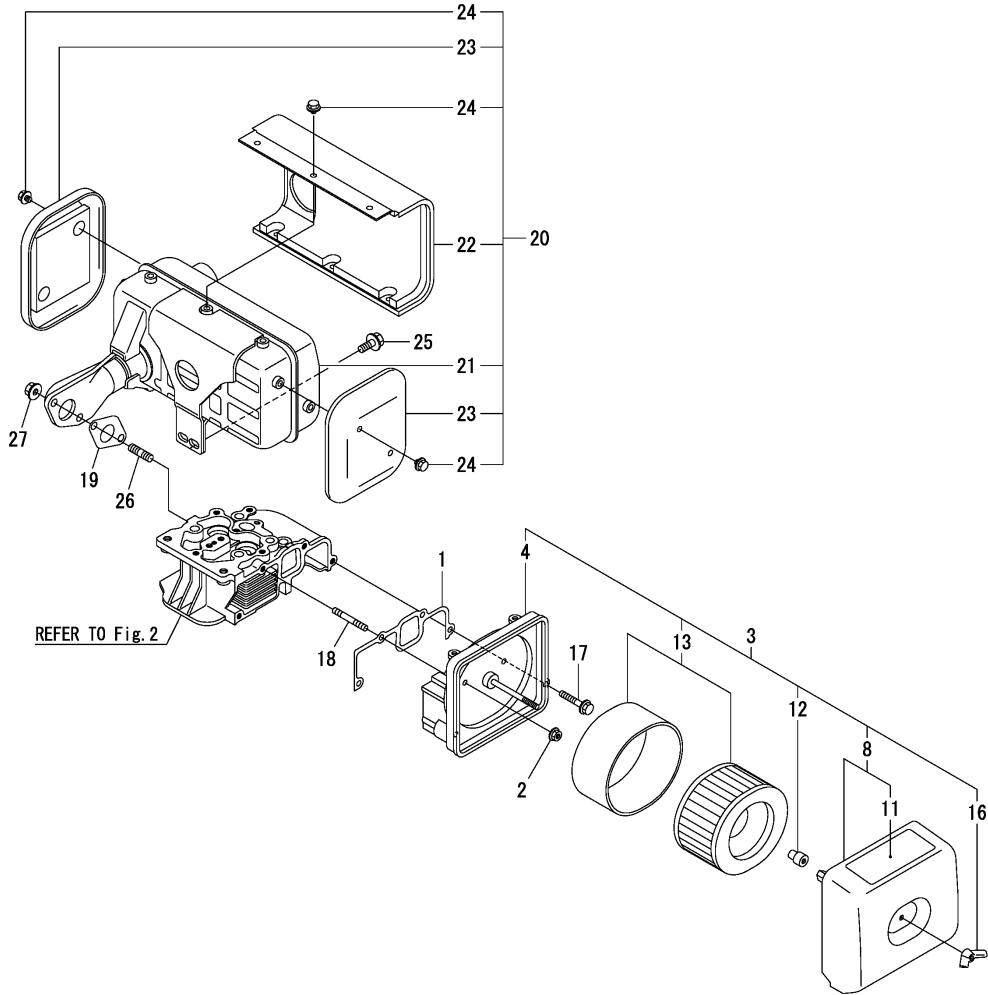
(E)=

(F)=



No.	Lev.	Parts No.	Description	Qty						I	R
				(A)	(B)	(C)	(D)	(E)	(F)		
1	1	114310-01200	BOLT, CYL.HEAD A	2							
2	1	114310-01210	BOLT, CYL.HEAD B	2							
3	1	11432C-11020	HEAD ASSY, CYLINDER	1							
8	1	11431C-11100	VALVE, INTAKE	1							
9	1	11431C-11110	VALVE, EXHAUST	1							
10	1	114310-11120	SPRING, VALVE	2							
11	1	114310-11180	RETAINER, SPRING	2							
12	1	114310-11190	COTTER	4							
13	1	11431C-11250	SUPPORT ASSY, ARM	1							
14	2	11431C-11260	SUPPORT, ROCKER ARM	1							
15	2	11431C-11650	ARM, ROCKER	1							
17	3	114250-11240	SCREW, VALVE ADJUST	1							
18	3	26856-060002	NUT, M6	1							
19	2	11431C-11660	ARM, ROCKER	1							
21	3	114250-11240	SCREW, VALVE ADJUST	1							
22	3	26856-060002	NUT, M6	1							
23	2	22243-000150	RING, 15	2							
24	1	114650-11340	SEAL, VALVE STEM	2							
25	1	104211-11370	CAP, VALVE	2							
26	1	114339-11451	PROTECTOR, NOZZLE	1							
27	1	114339-11551	SEAT, NOZZLE	1							
28	1	114650-11600	WASHER	2							
29	1	114210-11901	RETAINER, NOZZLE	1							
30	1	22351-040008	PIN, SPRING 4.0X 8	1							
31	1	26106-080502	BOLT, M8X 50 PLATED	2							
32	1	26226-060552	STUD, M6X 55	2							
33	1	26366-060002	NUT, M6	2							
34	1	114310-11310	GASKET, BONNET	1							
35	1	11431C-11960	BONNET ASSY, HEAD	1							
37	2	114210-03580	DECOMPRESSION ASSY	1							
40	2	114250-03640	SPRING, DECOMPRESSION	1							
42	2	22312-030160	PIN, PARALLEL M3X16	1							
46	1	26106-060652	BOLT, M6X 65 PLATED	3							
47	1	114239-03400	LEVER ASSY	1							
48	2	183250-03410	LEVER, DECOMPRESSION	1							
49	2	114210-03450	BRACKET, LEVER	1							
50	2	114250-12300	NUT	1							
51	2	160670-66350	COLLAR	1							
52	2	26106-060142	BOLT, M6X 14 PLATED	1							
53	1	183650-03510	LINK	1							
54	1	183250-03550	JOINT	2							
55	1	26106-060142	BOLT, M6X 14 PLATED	1							
56	1	26557-060142	SCREW M 6X 14	1							

Fig.3. AIRCLEANER&MUFFLER

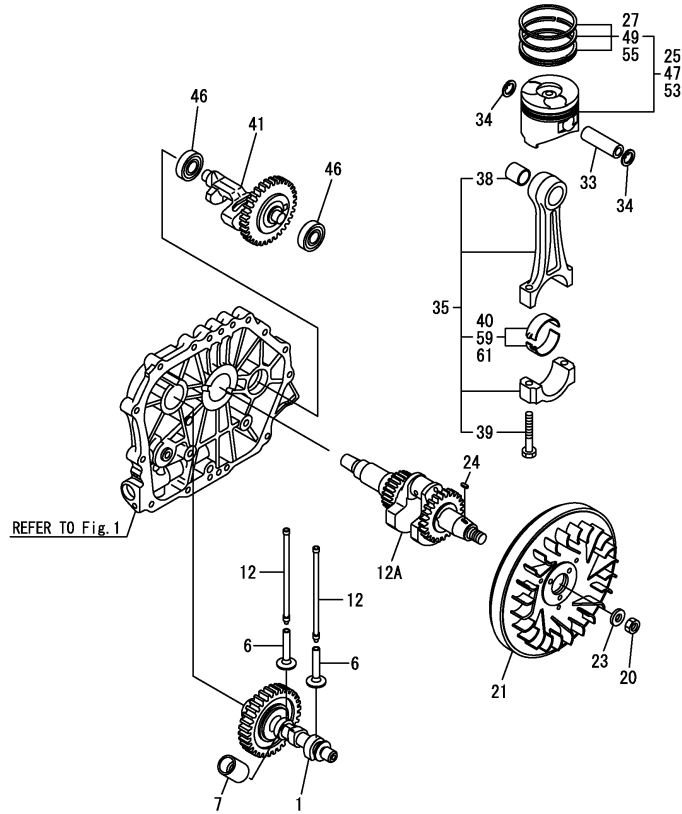


(A)=L100N6-PYT
(B)=
(C)=

(D)=
(E)=
(F)=

No.	Lev.	Parts No.	Description	Q'ty						I	R
				(A)	(B)	(C)	(D)	(E)	(F)		
1	1	114310-12210	GASKET, AIR CLEANER	1							
2	1	114250-12300	NUT	3							
3	1	114310-12511	CLEANER ASSY, AIR	1							
4	2	114310-12010	BODY ASSY, AIR CLNR	1							
8	2	114210-12500	COVER ASSY, AIR CLNR	1							
11	3	114210-12610	LABEL, AIR CLEANER	1							
12	2	114210-12560	NUT, WING	1							
13	2	114210-12590	ELEMENT ASSY	1							
16	2	114210-12600	LOCKING KNOB	1							
17	1	26106-060352	BOLT, M6X 35 PLATED	1							
18	1	26226-060352	STUD, M6X 35	3							
19	1	114310-13200	GASKET, MUFFLER	1							
20	1	11431C-13550	MUFFLER ASSY	1							
21	2	11431C-13560	MUFFLER	1							
22	2	11431C-13700	COVER	1							
23	2	11431C-13710	COVER	2							
24	2	11431C-13720	BOLT, M6	10							
25	1	26106-080202	BOLT, M8X 20 PLATED	2							
26	1	26216-080182	STUD, M8X 18	2							
27	1	26306-080002	NUT, M8	2							

Fig.4. CRANKSHAFT,PISTON&CAMSHAFT



(A)=L100N6-PYT

(B)=

(C)=

(D)=

(E)=

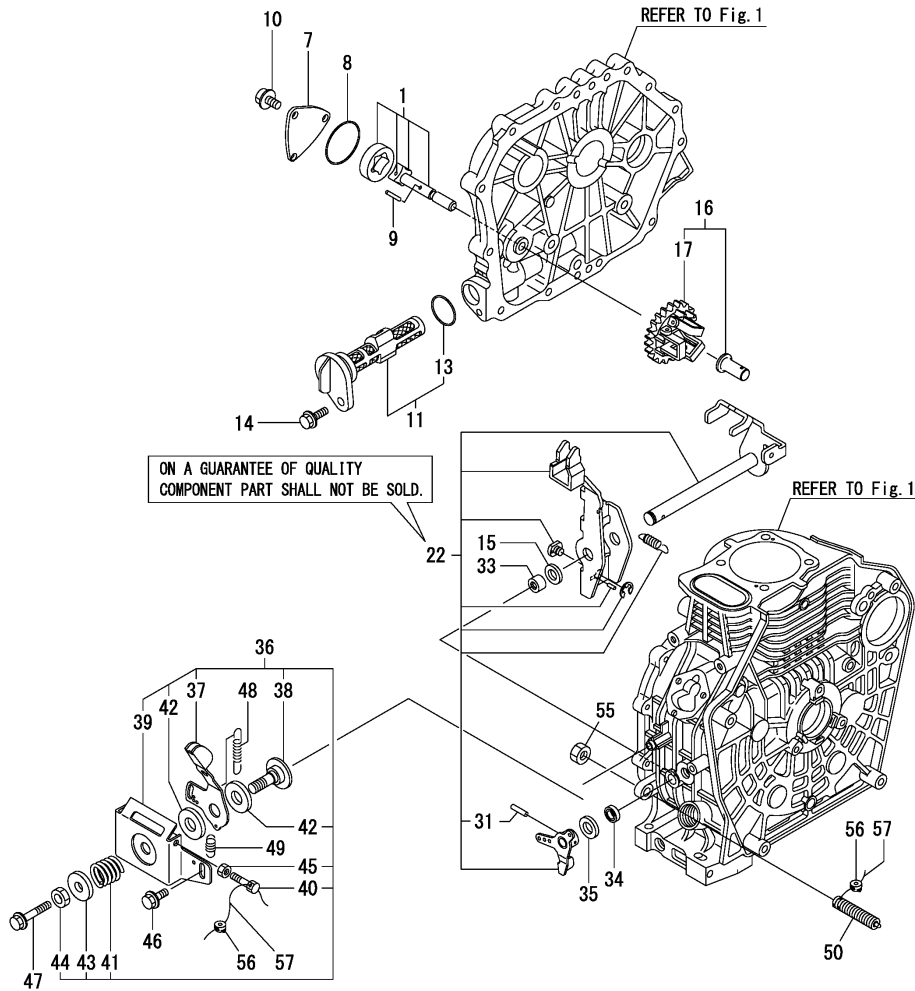
(F)=

No.	Lev.	Parts No.	Description	Q'ty						I	R
				(A)	(B)	(C)	(D)	(E)	(F)		
1	1	71432C-14010	CAMSHAFT ASSY	1							
6	1	114310-14200	TAPPET	2							
7	1	114210-14300	TAPPET ASSY, ROLLER	1							
12	1	114310-14400	ROD ASSY, PUSH	2							
12A	1	71431C-21050	CRANKSHAFT ASSY	1							
20	1	122710-01220	NUT, CYLINDER HEAD	1							
21	1	11431C-21420	FLYWHEEL	1							
23	1	114650-21551	WASHER	1							
24	1	22512-050140	KEY, 5X 14	1							
25	1	714320-22720	PISTON W/RINGS (D)	1							
27	2	714310-22500	RING SET, PISTON	1							
33	1	114699-22300	PIN, PISTON D=23	1							
34	1	129792-22400	CIRCLIP, 23	2							
35	1	71431C-23010	ROD ASSY, CONNECTING	1							
38	3	124060-23100	BEARING, PISTON PIN	1							
39	3	119810-23200	BOLT, CONNECTING ROD	2							
40	2	114650-23320	BEARING, CRANK PIN	2							
41	1	71431C-28510	SHAFT ASSY, BALANCER	1							
46	1	24101-063040	BEARING, BALL 6304C3	2							
47	1	714320-22620	PISTON W/RING .25OS	1							1
49	2	714310-22540	RING SET O.S=0.25	1							1
53	1	714320-22580	PISTON W/RING .50OS	1							2
55	2	714310-22550	RING SET O.S=0.50	1							2
59	1	714650-23610	BEARING ASSY, 0.25	1							3
61	1	714650-23620	BEARING, 0.50 US	1							4

Remarks

- (1)OVER SIZED(O.S.=0.25)PART.
- (2)OVER SIZED(O.S.=0.50)PART.
- (3)UNDER SIZED(U.S.=0.25)PART.
- (4)UNDER SIZED(U.S.=0.50)PART.

Fig.5. LUB.OILPUMP&GOVERNOR



(A)=L100N6-PYT

(B)=

(C)=

(D)=

(E)=

(F)=

No.	Lev.	Parts No.	Description	Qty						I	R
				(A)	(B)	(C)	(D)	(E)	(F)		
1	1	114650-32010	PUMP ASSY, OIL	1							
7	1	114250-32070	COVER	1							
8	1	103338-32570	O-RING	1							
9	1	22312-030160	PIN, PARALLEL M3X16	1							
10	1	26106-060122	BOLT, M6X 12 PLATED	3							
11	1	114250-35110	FILTER ASSY, OIL	1							
13	2	24341-000224	O-RING, 1AS22.4	1							
14	1	26106-060162	BOLT, M6X 16 PLATED	1							
15	1	114770-61190	WASHER	1							
16	1	714210-61700	GOVERNOR ASSY	1							
17	2	114210-61290	WEIGHT ASSY, GOVERNOR	1							
22	1	114311-61500	LEVER ASSY, GOVERNOR	1							
31	2	22322-030200	PIN, TAPER 3X20	1							
33	1	114770-61520	BEARING, NEEDLE	2							
34	1	114770-61600	SEAL, OIL	1							
35	1	114770-61610	WASHER, THRUST	1							
36	1	114210-66550	BRACKET ASSY	1							
37	2	114210-66070	HANDLE, REGULATOR	1							
38	2	183250-66070	SHAFT, HANDLE	1							
39	2	114210-66400	BRACKET, HANDLE	1							
40	2	114250-66440	BOLT, ADJUSTING	1							
41	2	104200-66820	SPRING	1							
42	2	104200-66831	PLATE, FRICTION	2							
43	2	104200-66850	WASHER	1							
44	2	26696-100002	NUT, LOCK M10	1							
45	2	26757-060002	NUT, LOCK M6	1							
46	1	26106-060142	BOLT, M6X 14 PLATED	1							
47	1	26106-060452	BOLT, M6X 45 PLATED	1							
48	1	114320-66010	SPRING, REGULATOR	1							
49	1	114250-66200	SPRING, RETURN	1							
50	1	114320-66600	LIMITER ASSY, FUEL	1							
55	1	26776-100002	NUT, LOCK M10	1							
56	1	114780-61090	TIN	2							
57	1	22451-060000	WIRE, 0.6	2							

Fig.6. COOLING&STARTINGDEVICE

(A)=L100N6-PYT

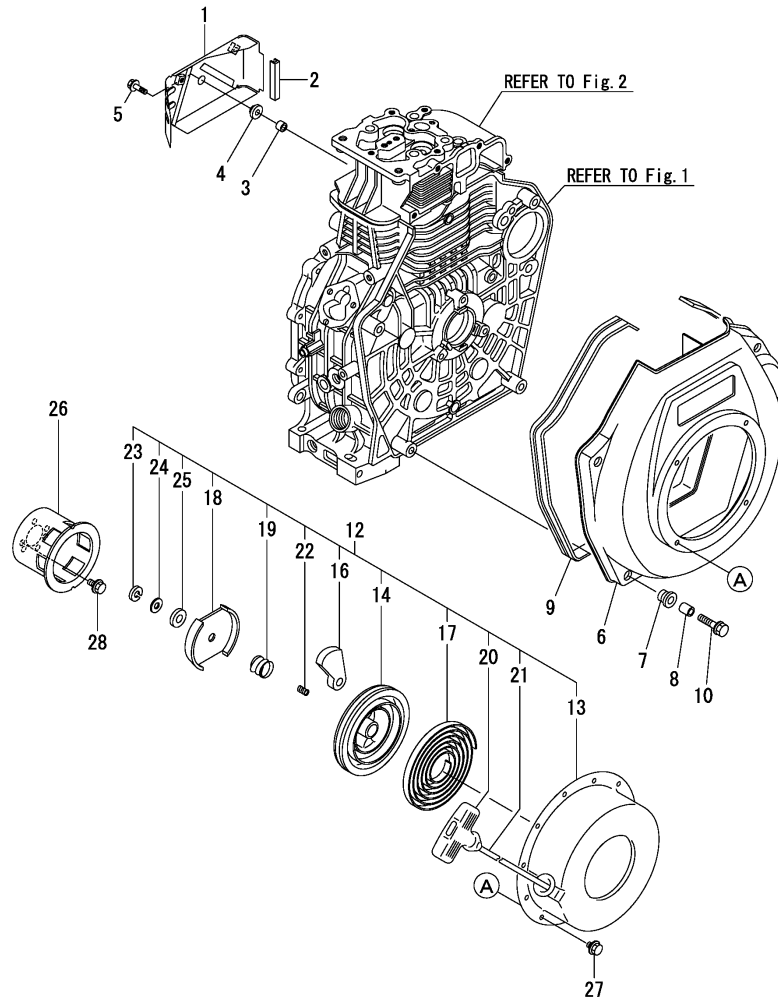
(B)=

(C)=

(D)=

(E)=

(F)=



No.	Lev.	Parts No.	Description	Q'ty						I	R
				(A)	(B)	(C)	(D)	(E)	(F)		
1	1	11431C-45260	COVER	1							
2	1	114350-45320	RUBBER, SEAL	1							
3	1	114350-45340	COLLAR	1							
4	1	183720-55210	GROMMET	1							
5	1	26106-060202	BOLT, M6X 20 PLATED	1							
6	1	11431C-45100	CASE, COOLING FAN	1							
7	1	114250-45301	ABSORBER	4							
8	1	114250-45310	COLLAR	4							
9	1	114650-45330	SEAL, FAN CASE L=950	1							
10	1	114370-45351	BOLT	4							
12	2	114699-76251	RECOIL ASSY	1							
13	3	114699-76510	CASE, STARTER	1							
14	3	114699-76521	REEL, RECOIL	1							
16	3	114699-76531	RATCHET	2							
17	3	114399-76540	SPRING, SPIRAL	1							
18	3	114699-76551	GUIDE, RATCHET	1							
19	3	114699-76560	SPRING, FRICTION	1							
20	3	114399-76620	KNOB, STARTER	1							
21	3	114699-76630	ROPE, STARTER	1							
22	3	114699-76650	SPRING, RETURN	1							
23	3	114699-76660	CIRCLIP	1							
24	3	114699-76670	WASHER	1							
25	3	114699-76680	WASHER	1							
26	2	114699-76592	PULLEY, STARTER	1							
27	1	26106-060082	BOLT, M6X 8 PLATED	4							
28	1	26106-060122	BOLT, M6X 12 PLATED	3							

Fig.7. F.I.PUMP&F.I.VALVE

(A)=L100N6-PYT

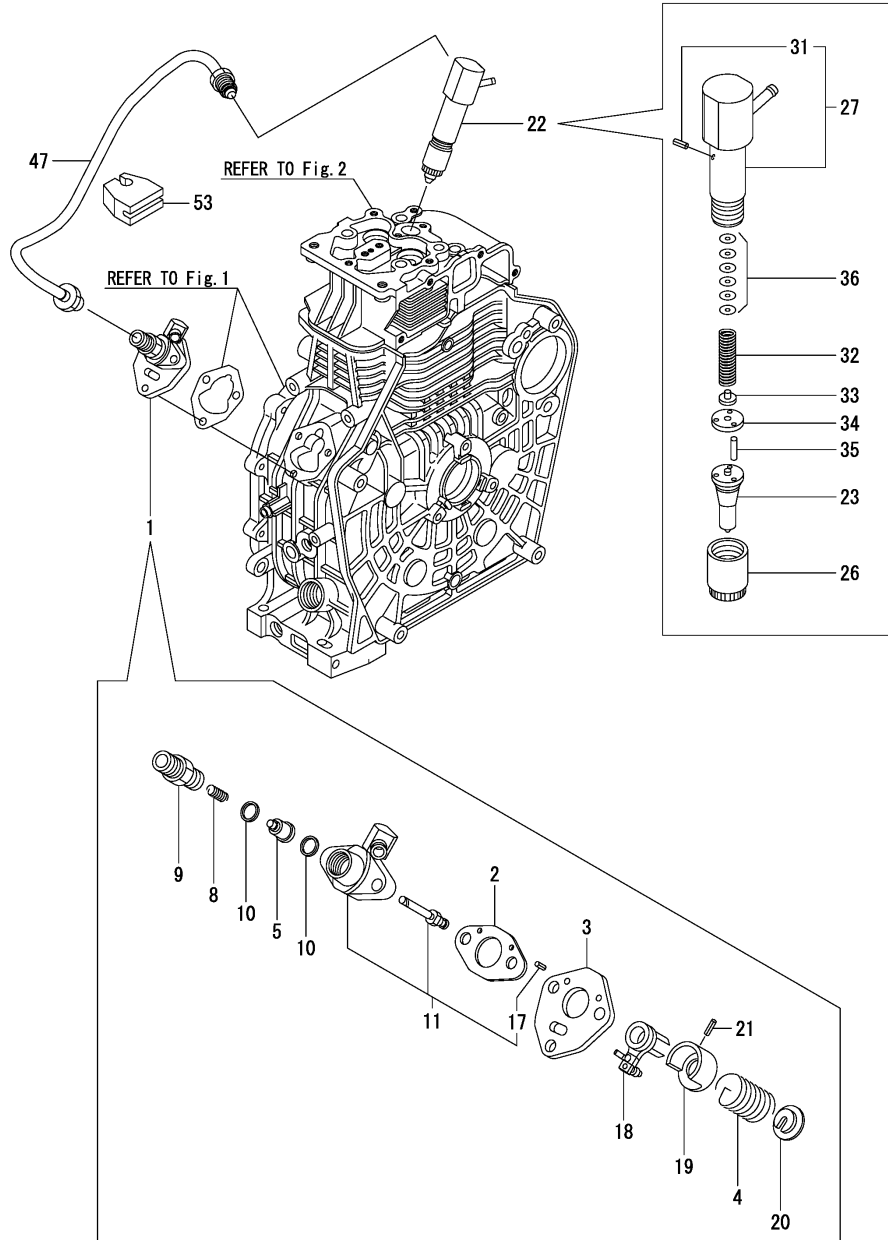
(B)=

(C)=

(D)=

(E)=

(F)=



No.	Lev.	Parts No.	Description	Q'ty						I	R
				(A)	(B)	(C)	(D)	(E)	(F)		
1	1	714339-51400	PUMP ASSY, INJECTION	1							
2	2	105546-51020	GASKET	1							
3	2	114250-51080	PLATE	1							
4	2	114250-51160	SPRING, PLUNGER	1							
5	2	114650-51300	VALVE ASSY, DELIVERY	1							
8	2	105546-51330	SPRING, DELIVERY	1							
9	2	114250-51340	HOLDER, DELIVERY	1							
10	2	124550-51350	GASKET, DELIVERY	2							
11	2	114339-51400	BODY ASSY, PUMP	1							
17	4	22351-020006	PIN, SPRING 2.0X 6	2							
18	2	114250-51600	LEVER ASSY, CONTROL	1							
19	2	114250-51640	SEAT, SPRING A	1							
20	2	114250-51650	SEAT, SPRING B	1							
21	2	22351-030008	PIN, SPRING 3.0X 8	1							
22	1	714339-53100	VALVE ASSY,INJECTION	1							
23	2	114339-53050	VALVE ASSY,INJECTION	1							
26	2	114250-53080	NUT, NOZZLE D16.95	1							
27	2	114339-53100	HOLDER ASSY, NOZZLE	1							
31	3	22351-025005	PIN, SPRING 2.5X 6	1							
32	2	114250-53120	SPRING, NOZZLE	1							
33	2	114250-53130	SEAT, SPRING	1							
34	2	114250-53140	PLATE	1							
35	2	114250-53210	PIN	2							
36	2	114250-53400	SHIM SET	1							
47	1	114310-59820	PIPE ASSY, INJECTION	1							
53	1	114699-59850	SUPPORT, PIPE	1							

Fig.8. TOOL,LABEL&GASKETSET

(A)=L100N6-PYT

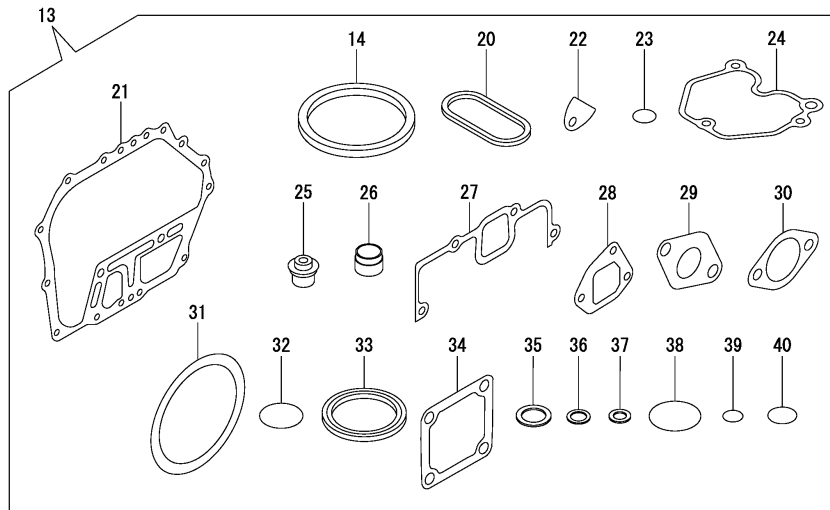
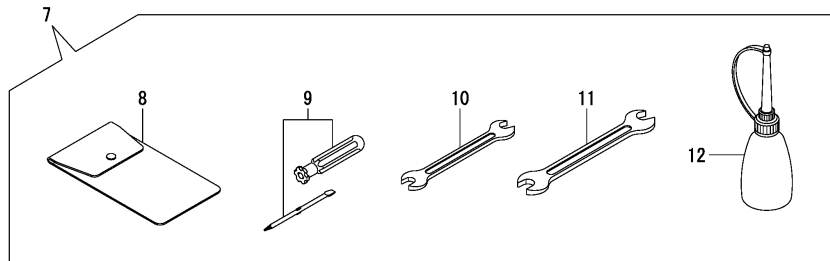
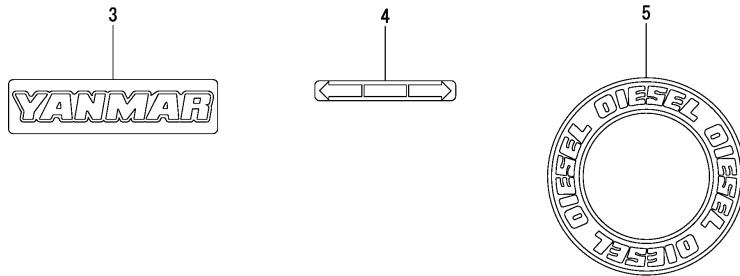
(B)=

(C)=

(D)=

(E)=

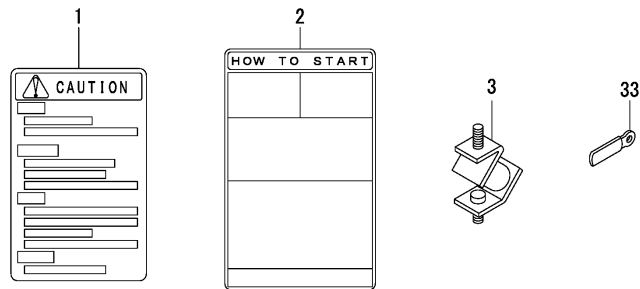
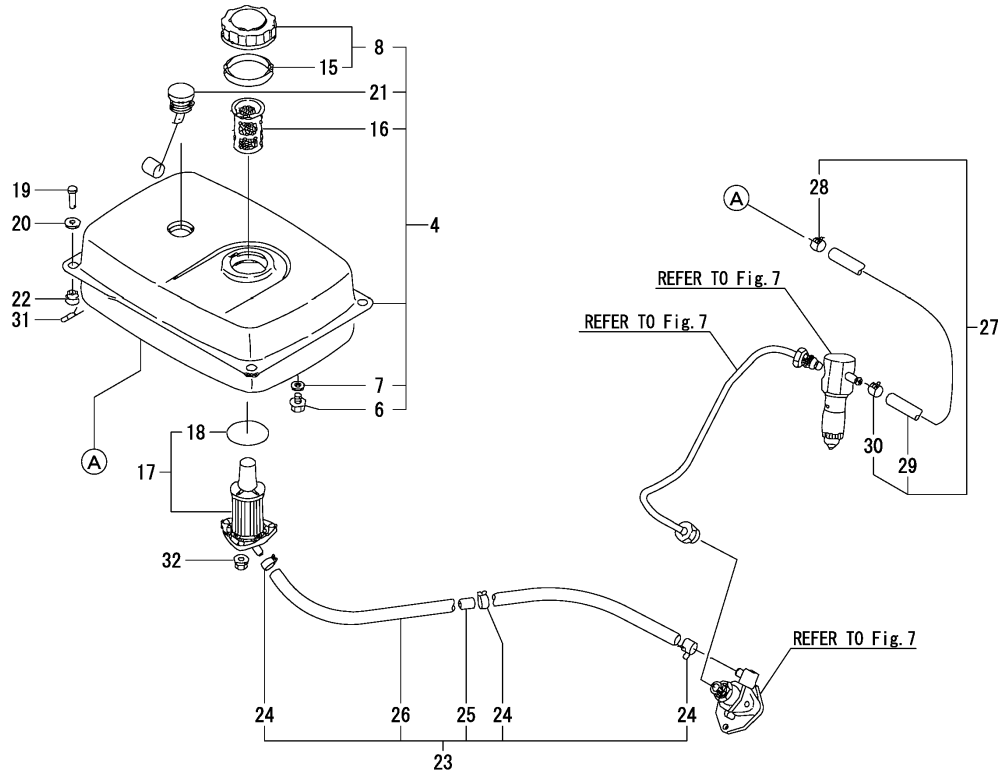
(F)=



No.	Lev.	Parts No.	Description	Q'ty						I	R
				(A)	(B)	(C)	(D)	(E)	(F)		
3	1	114250-07111	LABEL, YANMAR	1							
4	1	183250-07230	LABEL, OPERATION	1							
5	1	114261-07350	LABEL, DIESEL	1							
7	1	714250-92100	BOX ASSY, TOOL	1							
8	2	114250-92600	BAG, TOOL	1							
9	2	160330-92730	DRIVE, SCREW	1							
10	2	28110-100120	SPANNER, 10X12	1							
11	2	28110-140170	SPANNER, 14X17	1							
12	2	28210-000150	OILER	1							
13	1	114320-92600	GASKET SET	1							1
14	2	114695-01331	GASKET, HEAD	1							
20	2	114699-01380	O-RING	1							
21	2	114699-01410	GASKET, CRANK CASE	1							
22	2	114250-01841	GASKET	1							
23	2	114299-01950	O-RING, 18	2							
24	2	114310-11310	GASKET, BONNET	1							
25	2	114650-11340	SEAL, VALVE STEM	2							
26	2	114771-11461	GASKET, NOZZLE	1							
27	2	114310-12210	GASKET, AIR CLEANER	1							
28	2	114699-12210	GASKET, AIR CLEANER	2							
29	2	114310-13200	GASKET, MUFFLER	1							
30	2	183671-13211	GASKET, EXH.PIPE	1							
31	2	114399-21980	GASKET	1							
32	2	114299-32570	O-RING	1							
33	2	160393-55050	GASKET	4							
34	2	129100-77510	GASKET, AIR HEATER	3							
35	2	22190-160002	WASHER, SEAL 16	2							
36	2	23414-080000	GASKET, 8X1.0	1							
37	2	23414-120000	GASKET, 12X1.0	1							
38	2	24311-000400	O-RING, 1AP40.0	1							
39	2	24341-000150	O-RING, 1AS15.0	2							
40	2	24341-000224	O-RING, 1AS22.4	1							

Remarks
(1)OPTIONAL

Fig.9. PARTS,ACCESSORY



(A)=L100N6-PYT
(B)=
(C)=

(D)=
(E)=
(F)=

No.	Lev.	Parts No.	Description	Q'ty						I	R
				(A)	(B)	(C)	(D)	(E)	(F)		
1	1	114268-07240	LABEL, CAUTION	1							
2	1	114268-07350	LABEL, HOW TO START	1							
3	1	183279-08210	DAMPER	4							
4	1	783277-55701-R	TANK ASSY, FUEL	1							
6	2	104200-55080	PLUG, DRAIN	1							
7	2	22190-120002	WASHER, SEAL 12	1							
8	1	160710-55061	CAP ASSY	1							
15	2	160393-55050	GASKET	1							
16	1	160710-55100	FILTER, FUEL	1							
17	1	183254-55120	FILTER, FUEL	1							
18	2	24341-000450	O-RING, 1AS45.0	1							
19	1	183350-55120	PIN, 6X14	4							
20	1	183350-55130	WASHER	4							
21	1	183621-55150	GAUGE	1							
22	1	183720-55210	GROMMET	4							
23	1	114239-59010	PIPE ASSY, FUEL OIL	1							
24	2	106990-44660	CLIP, HOSE 12.5	3							
25	2	183250-59040	PIECE	1							
26	2	114239-59050	PIPE, FUEL OIL	1							
27	1	114339-59150	PIPE ASSY, RETURN	1							
28	2	124722-59050	CLIP, HOSE 9	1							
29	2	114353-59060	HOSE, RUBBER	1							
30	2	124066-59100	CLIP, HOSE 8	1							
31	1	22360-060000	PIN, SNAP 6	4							
32	1	26366-060002	NUT, M6	3							
33	1	160710-78710	CLAMP, CORD	1							

Parts No. Index

Parts No.	Fig. No.	Ref. No.
103338-32570	5	8
104200-55080	9	6
104200-66820	5	41
104200-66831	5	42
104200-66850	5	43
104211-11370	2	25
105425-01690	1	34
105546-51020	7	2
105546-51330	7	8
106990-44660	9	24
114210-03450	2	49
114210-03580	2	37
114210-11901	2	29
114210-12500	3	8
114210-12560	3	12
114210-12590	3	13
114210-12600	3	16
114210-12610	3	11
114210-14300	4	7
114210-61290	5	17
114210-66070	5	37
114210-66400	5	39
114210-66550	5	36
114239-03400	2	47
114239-59010	9	23
114239-59050	9	26
114250-01800	1	8
114250-01830	1	19
114250-01841	1	20
	8	22
114250-03640	2	40
114250-07111	8	3
114250-11240	2	17
	21	
114250-12300	2	50
	3	2
114250-32070	5	7
114250-35110	5	11
114250-35150	1	32
114250-45301	6	7
114250-45310	6	8
114250-51080	7	3
114250-51160	7	4
114250-51340	7	9
114250-51600	7	18
114250-51640	7	19
114250-51650	7	20
114250-53080	7	26
114250-53120	7	32
114250-53130	7	33

Parts No.	Fig. No.	Ref. No.
114250-53140	7	34
114250-53210	7	35
114250-53400	7	36
114250-66200	5	49
114250-66440	5	40
114250-92600	8	8
114261-07350	8	5
114268-07240	9	1
114268-07350	9	2
114270-01600	1	7
114299-01950	1	37
	8	23
114299-02030	1	41
114299-32570	8	32
114310-01200	2	1
114310-01210	2	2
114310-11120	2	10
114310-11180	2	11
114310-11190	2	12
114310-11310	2	34
	8	24
114310-12010	3	4
114310-12210	3	1
	8	27
114310-12511	3	3
114310-13200	3	19
	8	29
114310-14200	4	6
114310-14400	4	12
114310-59820	7	47
114311-61500	5	22
11431C-01020	1	1
11431C-01450	1	27
11431C-11100	2	8
11431C-11110	2	9
11431C-11250	2	13
11431C-11260	2	14
11431C-11650	2	15
11431C-11660	2	19
11431C-11960	2	35
11431C-13550	3	20
11431C-13560	3	21
11431C-13700	3	22
11431C-13710	3	23
11431C-13720	3	24
11431C-21420	4	21
11431C-45100	6	6
11431C-45260	6	1
114320-66010	5	48
114320-66600	5	50

Parts No.	Fig. No.	Ref. No.
114320-92600	8	13
11432C-11020	2	3
114339-11451	2	26
114339-11551	2	27
114339-51400	7	11
114339-53050	7	23
114339-53100	7	27
114339-59150	9	27
114350-01700	1	39
114350-45320	6	2
114350-45340	6	3
114353-59060	9	29
114370-45351	6	10
114399-21980	8	31
114399-76540	6	17
114399-76620	6	20
114650-01380	1	6
114650-01412	1	26
114650-02100	1	30
114650-02150	1	42
114650-02200	1	48
114650-02210	1	49
114650-11340	2	24
	8	25
114650-11600	2	28
114650-21551	4	23
114650-23320	4	40
114650-32010	5	1
114650-45330	6	9
114650-51300	7	5
114651-01340	1	5
114695-01331	8	14
114699-01380	8	20
114699-01410	8	21
114699-01760	1	35
114699-12210	8	28
114699-22300	4	33
114699-59850	7	53
114699-76251	6	12
114699-76510	6	13
114699-76521	6	14
114699-76531	6	16
114699-76551	6	18
114699-76560	6	19
114699-76592	6	26
114699-76630	6	21
114699-76650	6	22
114699-76660	6	23
114699-76670	6	24
114699-76680	6	25

Parts No.	Fig. No.	Ref. No.
114770-61190	5	15
114770-61520	5	33
114770-61600	5	34
114770-61610	5	35
114771-11461	8	26
114780-61090	5	56
119810-23200	4	39
122710-01220	4	20
124060-23100	4	38
124066-59100	9	30
124550-51350	7	10
124722-59050	9	28
129100-77510	8	34
129792-22400	4	34
160330-92730	8	9
160393-55050	8	33
	9	15
160670-66350	2	51
160710-55061	9	8
160710-55100	9	16
160710-78710	9	33
183250-03410	2	48
183250-03550	2	54
183250-07230	8	4
183250-59040	9	25
183250-66070	5	38
183254-55120	9	17
183279-08210	9	3
183350-55120	9	19
183350-55130	9	20
183621-55150	9	21
183650-03510	2	53
183671-13211	8	30
183720-55210	6	4
	9	22
22190-120002	9	7
22190-160002	1	38
	8	35
22243-000150	2	23
22312-030160	2	42
	5	9
22312-040080	1	21
22322-030200	5	31
22351-020006	7	17
22351-025005	7	31
22351-030008	7	21
22351-040008	2	30
22360-060000	9	31
22451-060000	5	57
22512-050140	4	24

Parts No. Index

Parts No.	Fig. No.	Ref. No.
23414-080000	8	36
23414-120000	8	37
23875-020000	1	22
23876-010000	1	47
24101-063040	4	46
24162-152220	1	43
24311-000400	8	38
24341-000150	8	39
24341-000224	5	13
	8	40
24341-000450	9	18
24423-355008	1	44
		45
26106-060082	6	27
26106-060122	5	10
	6	28
26106-060142	2	52
		55
	5	46
26106-060162	5	14
26106-060202	6	5
26106-060352	3	17
26106-060452	5	47
26106-060652	2	46
26106-080122	1	46
26106-080202	3	25
26106-080352	1	33
26106-080502	2	31
26106-100122	1	40
26216-080182	3	26
26226-060182	1	23
26226-060222	1	24
26226-060352	3	18
26226-060552	2	32
26306-080002	3	27
26366-060002	1	25
	2	33
	9	32
26557-060142	2	56
26696-100002	5	44
26757-060002	5	45
26776-100002	5	55
26856-060002	2	18
		22
28110-100120	8	10
28110-140170	8	11
28210-000150	8	12
714210-61700	5	16
714250-92100	8	7
714310-22500	4	27

Parts No.	Fig. No.	Ref. No.
714310-22540	4	49
714310-22550	4	55
71431C-21050	4	12 A
71431C-23010	4	35
71431C-28510	4	41
714320-22580	4	53
714320-22620	4	47
714320-22720	4	25
71432C-14010	4	1
714339-51400	7	1
714339-53100	7	22
714650-23610	4	59
714650-23620	4	61
783277-55701-R	9	4

Parts No.	Fig. No.	Ref. No.
-----------	----------	----------

Parts No.	Fig. No.	Ref. No.
-----------	----------	----------