

0CB10-M78000EN

P R E F A C E

1. This parts catalog is the 1st edition of L48N6-PYT export engine for pump Model "YDP20TN".

Pub.No. : 0CB10-G78000
Published : August, 2009

2. Model name

Engine model	Vehicle		Vehicle made by
	Products	Model name	
L48N6-PYT	WATER PUMP	YDP20TN	DAISHIN INDUSTRIES LTD.

Directions for the Parts Catalog.

1. The parts stipulated in this Parts Catalog are not necessarily standard equipped parts.
2. Parts may change without prior notice.
3. The following is an example of the Parts Catalog format.

REF.	LEV.	PARTS NO.	DESCRIPTION	Q'TY						I	R
				(A)	(B)	(C)	(D)	(E)	(F)		
1	1	729595-51390	FUEL INJECTION PUMP	1	1	1	1	1			1
1-1	1	729595-51391	FUEL INJECTION PUMP	1	1	1	1	1		N	1
		(A=E00185) (B=E00200)									
3	2	26022-060162	SCREW M 6X 16	9	9	9	9	9			
3-1	2	26022-060162	SCREW M 6X 16	4	4	4	4	4		K	
		(A=E00156) (B=E00156) (C=E00156) (D=E00156) (E=E00156)									
4	2	129470-51040	CAMSHAFT	1	1	1	1	1			
5	2	122710-51050	BEARING, ROLLER	2	2	2	2	2			
6	2	129470-51060	RETAINER	1	1	1	1	1			

Remarks
(1) BOOST COMPEMSATOR TYPE. OPTIONAL PART, TO E00155,(4JH-DT, 4JH-DTZ

① Ref. No.

The Ref. No. listed may not be in accordance with the illustration Ref. No.

(Ex.) Illustration No.

List Ref No.

1

1

(Before change)

1-1

(After change)

For interchangeable symbols N, R and K, illustrations for new parts may be abbreviated.

② Lev. (Level)

Level indication

The numbers below indicate the level of relativity towards the main part.

1 ----- Main parts (Assembly parts)

2 ----- Sub component included in " 1 ".

3 ----- Sub component included in " 2 ".

Note) Parts that are not for sale are partially illustrated but not listed.

③ Interchangeability Mark

When a part change takes place, one of the following interchangeability symbols is indicated beside the part.

Symbol	Interchangeability	Contents note
N	Old $\begin{matrix} \leftarrow \text{Yes} \\ \text{No} \rightarrow \end{matrix}$ New	New Part is interchangeable for Old Part but Old Part is not interchangeable for New Part.
Q	Old $\begin{matrix} \leftarrow \text{No} \\ \text{Yes} \rightarrow \end{matrix}$ New	New Part is not interchangeable for Old Part but Old Part is interchangeable for New Part.
R	Old $\begin{matrix} \leftarrow \text{Yes} \\ \text{Yes} \rightarrow \end{matrix}$ New	New/ Old Parts are both interchangeable.
S	Old $\begin{matrix} \leftarrow \text{No} \\ \text{No} \rightarrow \end{matrix}$ New	New/ Old Parts are both not interchangeable.
W		Part discontinued.
Z		Part newly added.
F		Not interchangeable by a single part but interchangeable together with related parts.
K		Changes only for used parts quantities.

④ Effective Machine No.

When a part changes, the effective Machine No. will be indicated in the (A)-(F) column.

Product Symbol	Product No.	Product Symbol	Product No.
C	Clutch No. Compressor No.	F	Machine No. (Agricultural Equip.)
D	Drive No.	M	Machine No.
E	Engine No.	Note 1)	Date

Note 1) A date may follow the symbol. (Ex.) 1996.01

Note 2) " XXX " are for parts that could not be predicted or for engine models that could not be identified.

Note 3) (A=E00185) is the E (Engine Serial Number) for the column (A) model (in this case 4JH-DT) after the parts design change.

⑤ Remarks Mark

Figures or alphabets (symbols) are entered in the remarks column.

The comments (remarks) on parts that are indicated at the bottom of the illustration are the same symbols as those stated above.

Contents

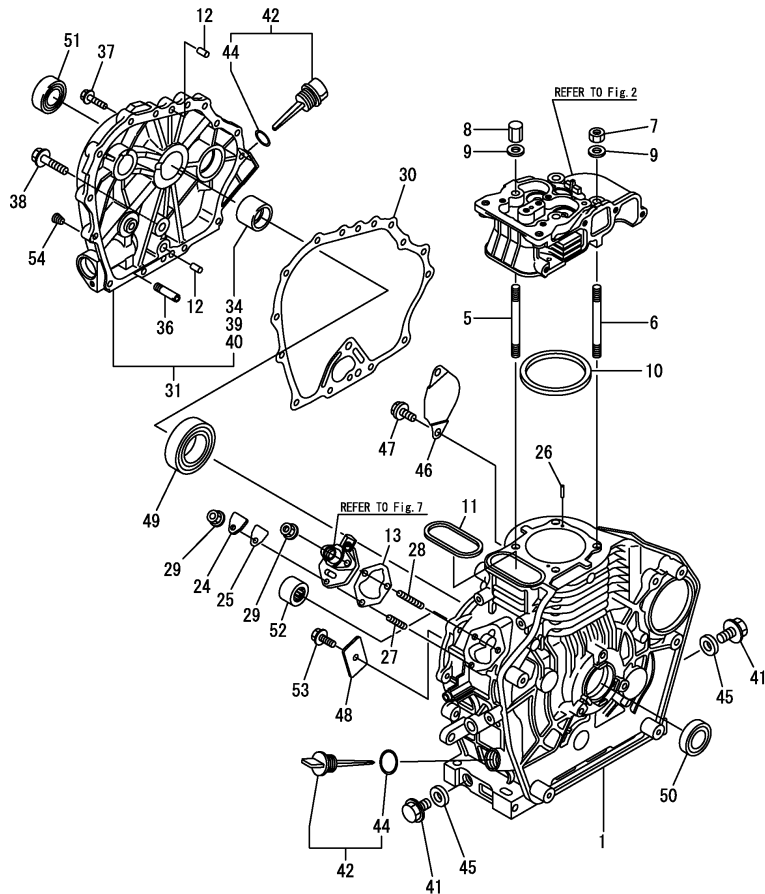
Fig. No. Fig. Name

L48N6-PYT

1. CYLINDER BLOCK
2. CYLINDER HEAD & BONNET
3. AIR CLEANER & MUFFLER
4. CRANKSHAFT, PISTON & CAMSHAFT
5. LUB.OIL PUMP & GOVERNOR
6. COOLING & STARTING DEVICE
7. F.I.PUMP & F.I.VALVE
8. TOOL,LABEL & GASKET SET
9. PARTS ,ACCESSORY

Fig. No. Fig. Name

Fig.1. CYLINDER BLOCK



(A)=L48N6-PYT
(B)=
(C)=

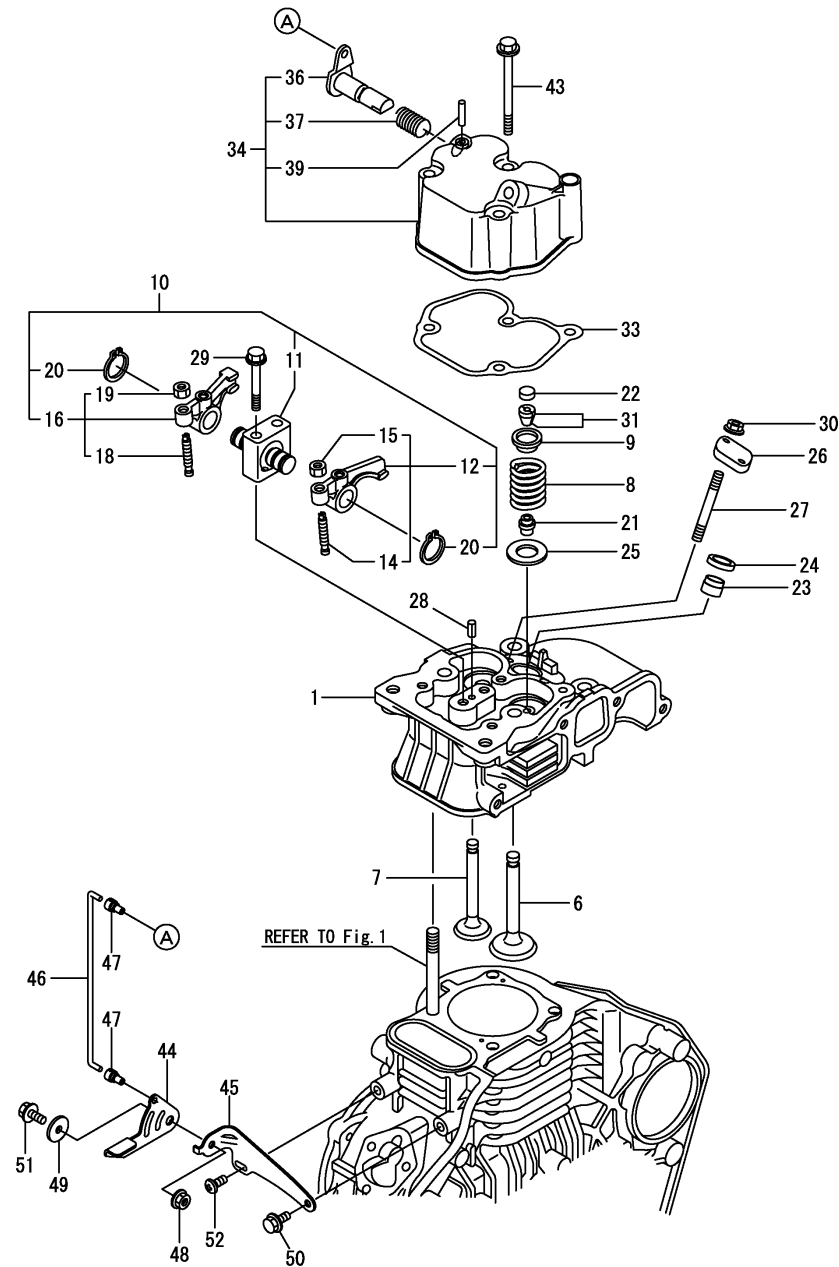
(D)=
(E)=
(F)=

No.	Lev.	Parts No.	Description	Q'ty						I	R
				(A)	(B)	(C)	(D)	(E)	(F)		
1	1	11429C-01020	BLOCK ASSY, CYLINDER	1							
5	1	114250-01200	BOLT, HEAD	2							
6	1	114250-01210	BOLT, HEAD	2							
7	1	114250-01221	NUT, CYLINDER HEAD	2							
8	1	114250-01251	NUT, CAP	2							
9	1	124950-01250	WASHER	4							
10	1	114771-01340	GASKET, HEAD T=0.5	1							
11	1	114250-01380	O-RING	1							
12	1	114270-01600	PIN, M8X12	2							
13	1	114250-01800	SHIM SET	1							
24	1	114250-01830	COVER	1							
25	1	114250-01841	GASKET	1							
26	1	22312-040080	PIN, PARALLEL M4X 8	2							
27	1	26226-060182	STUD, M6X 18	1							
28	1	26226-060222	STUD, M6X 22	2							
29	1	26366-060002	NUT, M6	3							
30	1	114250-01412	GASKET, CRANK CASE	1							
31	1	11429C-01450	COVER, CRANK CASE D	1							
34	2	114250-02100	BEARING, MAIN	1							1
36	1	114250-35150	PIPE, OIL INLET	1							
37	1	26106-060252	BOLT, M6X 25 PLATED	14							
38	1	26106-080352	BOLT, M8X 35 PLATED	1							
39	1	114250-02200	BEARING, 0.25 US	1							2
40	1	114250-02210	BEARING, 0.50 US	1							3
41	1	105425-01690	PLUG, 16	2							
42	1	114299-01760	CAP ASSY	2							
44	2	114299-01950	O-RING, 18	2							
45	1	22190-160002	WASHER, SEAL 16	2							
46	1	114350-01700	COVER	1							
47	1	26106-100122	BOLT, M10X 12 PLATED	2							
48	1	114299-02030	RETAINER, BEARING	1							
49	1	114250-02113	BEARING, HR6306G3C3	1							
50	1	160110-02220	SEAL, OIL	1							
51	1	160210-02220	SEAL, 25X41.2X8	1							
52	1	24162-152112	BEARING, 152112	1							
53	1	26106-080122	BOLT, M8X 12 PLATED	1							
54	1	23876-010000	PLUG, R01	1							

Remarks

- (1)REPAIR PART.
- (2)UNDER SIZED(U.S.=0.25)PART.
- (3)UNDER SIZED(U.S.=0.50)PART.

Fig.2. CYLINDER HEAD & BONNET



(A)=L48N6-PYT

(B)=

(C)=

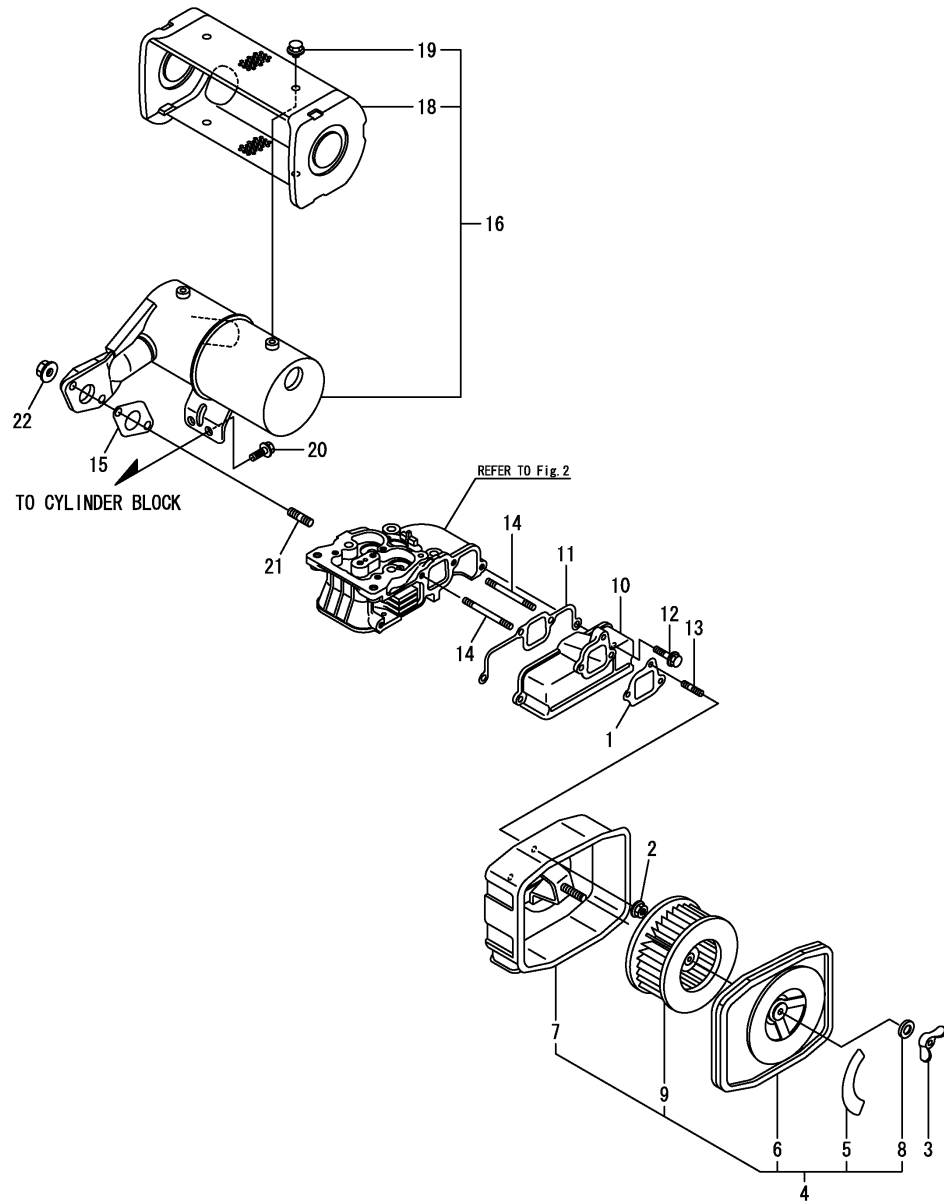
(D)=

(E)=

(F)=

No.	Lev.	Parts No.	Description	Q'ty						I	R
				(A)	(B)	(C)	(D)	(E)	(F)		
1	1	114120-11030	HEAD, CYLINDER	1							
6	1	11429C-11100	VALVE, INTAKE	1							
7	1	11429C-11110	VALVE, EXHAUST	1							
8	1	114250-11120	SPRING, VALVE	2							
9	1	114250-11180	RETAINER, SPRING	2							
10	1	11429C-11250	SUPPORT ASSY, ARM	1							
11	2	11429C-11260	SUPPORT, ROCKER ARM	1							
12	2	11429C-11650	ARM ASSY, ROCKER	1							
14	3	114250-11240	SCREW, VALVE ADJUST	1							
15	3	26856-060002	NUT, M6	1							
16	2	11429C-11660	ARM ASSY, ROCKER	1							
18	3	114250-11240	SCREW, VALVE ADJUST	1							
19	3	26856-060002	NUT, M6	1							
20	2	22242-000120	RING, 12	2							
21	1	114250-11340	SEAL, VALVE STEM	2							
22	1	119260-11370	CAP, VALVE	2							
23	1	114339-11451	PROTECTOR, NOZZLE	1							
24	1	114339-11551	SEAT, NOZZLE	1							
25	1	114250-11600	WASHER	2							
26	1	114250-11901	RETAINER, NOZZLE	1							
27	1	114718-11910	STUD, M6X65	2							
28	1	22351-040008	PIN, SPRING 4.0X 8	1							
29	1	26106-060452	BOLT, M6X 45 PLATED	2							
30	1	26366-060002	NUT, M6	2							
31	1	27310-055001	COTTER, 5.5	2							
33	1	114771-11310	GASKET, BONNET	1							
34	1	11429C-11980	BONNET ASSY, HEAD	1							
36	2	183250-03601	SHAFT, DECOMPRESSION	1							
37	2	114250-03640	SPRING, DECOMPRESSION	1							
39	2	22312-030160	PIN, PARALLEL M3X16	1							
43	1	26106-060552	BOLT, M6X 55 PLATED	3							
44	1	183250-03410	LEVER, DECOMPRESSION	1							
45	1	183250-03450	BRACKET, LEVER	1							
46	1	183250-03510	LINK	1							
47	1	183250-03550	JOINT	2							
48	1	114250-12300	NUT	1							
49	1	160670-66350	COLLAR	1							
50	1	26106-060142	BOLT, M6X 14 PLATED	1							
51	1	26106-060142	BOLT, M6X 14 PLATED	1							
52	1	26557-060142	SCREW M 6X 14	1							

Fig.3. AIR CLEANER & MUFFLER



(A)=L48N6-PYT

(B)=

(C)=

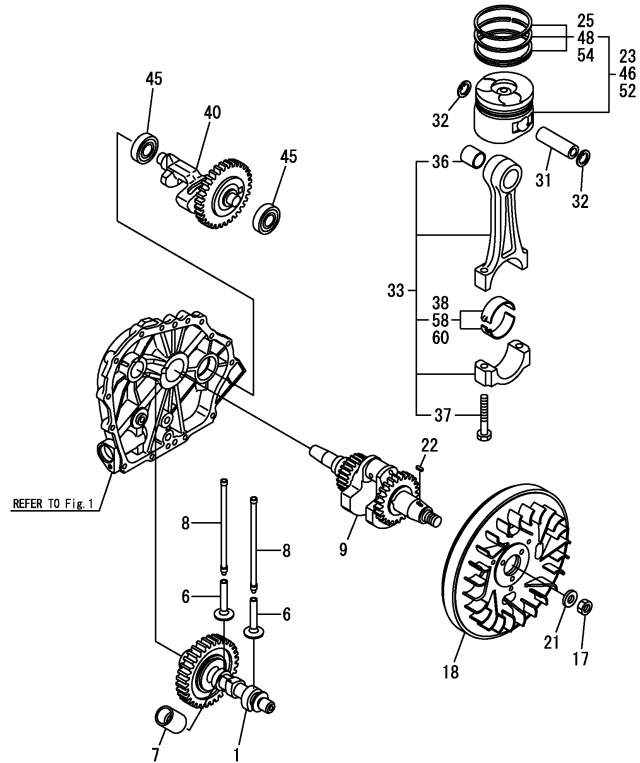
(D)=

(E)=

(F)=

No.	Lev.	Parts No.	Description	Q'ty						I	R
				(A)	(B)	(C)	(D)	(E)	(F)		
1	1	114250-12211	GASKET, AIR CLEANER	1							
2	1	114250-12300	NUT	3							
3	1	114250-12550	NUT, WING M6	1							
4	1	114250-12570	CLEANER, AIR	1							
5	2	114770-07450	LABEL, AIR CLEANER	1							
6	2	114250-12520	COVER, AIR CLEANER	1							
7	2	114250-12530	CASE ASSY, CLEANER	1							
8	2	114250-12560	WASHER, SEAL M6	1							
9	2	114250-12581	ELEMENT	1							
10	1	114771-12010	PIPE, AIR INTAKE	1							
11	1	114771-12200	GASKET	1							
12	1	26106-060252	BOLT, M6X 25 PLATED	2							
13	1	26226-060142	STUD, M6X 14	1							
14	1	26226-060552	STUD, M6X 55	2							
15	1	114250-13201	GASKET, MUFFLER	1							
16	1	11429C-13500	MUFFLER ASSY	1							
18	2	11429C-13700	COVER	1							
19	2	11431C-13720	BOLT, M6	4							
20	1	26106-060122	BOLT, M6X 12 PLATED	2							
21	1	26216-080182	STUD, M8X 18	2							
22	1	26306-080002	NUT, M8	2							

Fig.4. CRANKSHAFT, PISTON & CAMSHAFT



(A)=L48N6-PYT

(B)=

(C)=

(D)=

(E)=

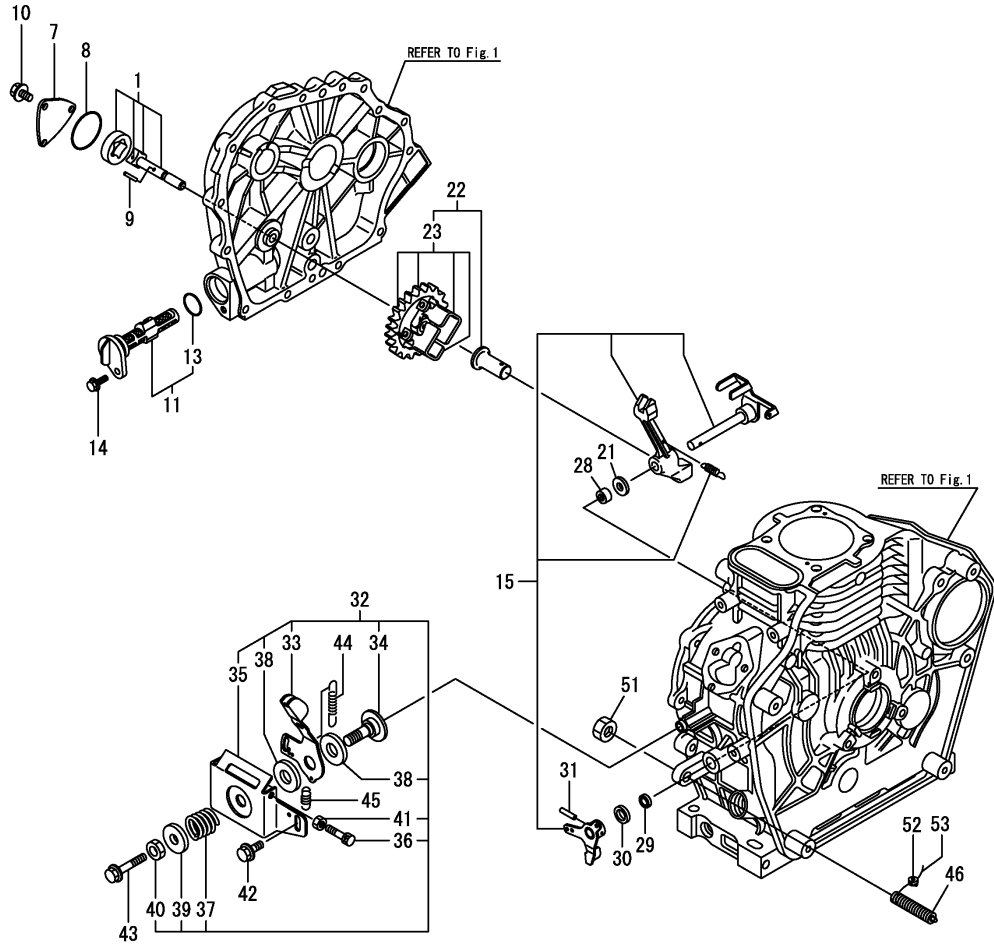
(F)=

No.	Lev.	Parts No.	Description	Q'ty						I	R
				(A)	(B)	(C)	(D)	(E)	(F)		
1	1	71429C-14010	CAMSHAFT ASSY	1							
6	1	114250-14200	TAPPET	2							
7	1	114771-14260	TAPPET	1							
8	1	114250-14451	ROD ASSY, PUSH	2							
9	1	714139-21170	CRANKSHAFT(E-DP ASSY	1							
17	1	103854-01221	NUT, CYLINDER HEAD	1							
18	1	11429C-21590	FLYWHEEL ASSY	1							
21	1	114250-21550	WASHER	1							
22	1	22512-040120	KEY, 4X 12	1							
23	1	714120-22720	PISTON W/RINGS (D	1							
25	2	714295-22500	RING SET, PISTON	1							
31	1	114299-22300	PIN, PISTON D=19	1							
32	1	22252-000190	RING, 19	2							
33	1	71429C-23010	ROD ASSY, CONNECTING	1							
36	3	114770-23100	BEARING, PISTON PIN	1							
37	3	119265-23200	BOLT, CONNECTING ROD	2							
38	2	714770-23600	BEARING, CRANK PIN	1							
40	1	11429C-28510	SHAFT ASSY, BALANCER	1							
45	1	24101-062020	BEARING, BALL 6202C3	2							
46	1	714120-22620	PISTON W/RING .25OS	1							1
48	2	714295-22540	RING SET O.S=0.25	1							1
52	1	714120-22580	PISTON W/RING .50OS	1							2
54	2	714295-22550	RING SET O.S=0.50	1							2
58	1	714770-23610	BEARING ASSY, 0.25	1							3
60	1	714770-23620	BEARING, 0.50 US	1							4

Remarks

- (1)OVER SIZED(O.S.=0.25)PART.
- (2)OVER SIZED(O.S.=0.50)PART.
- (3)UNDER SIZED(U.S.=0.25)PART.
- (4)UNDER SIZED(U.S.=0.50)PART.

Fig.5. LUB.OIL PUMP & GOVERNOR



(A)=L48N6-PYT

(B)=

(C)=

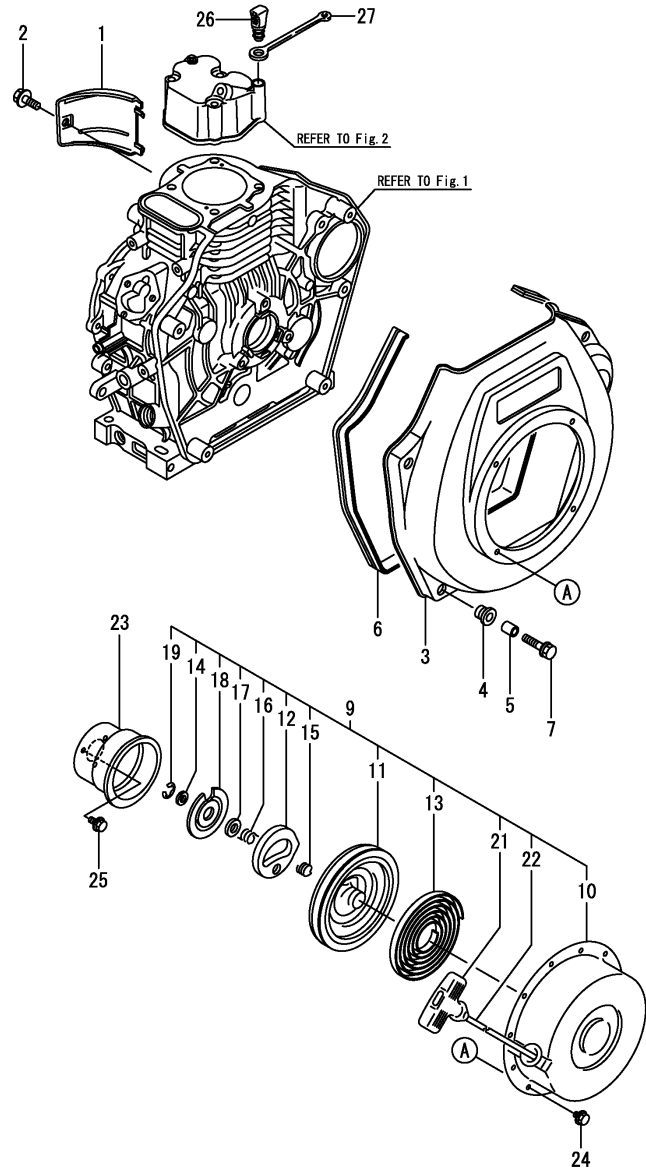
(D)=

(E)=

(F)=

No.	Lev.	Parts No.	Description	Q'ty						I	R
				(A)	(B)	(C)	(D)	(E)	(F)		
1	1	114250-32010	PUMP ASSY, OIL	1							
7	1	114250-32070	COVER	1							
8	1	103338-32570	O-RING	1							
9	1	22312-030160	PIN, PARALLEL M3X16	1							
10	1	26106-060122	BOLT, M6X 12 PLATED	3							
11	1	114250-35110	FILTER ASSY, OIL	1							
13	2	24341-000224	O-RING, 1AS22.4	1							
14	1	26106-060162	BOLT, M6X 16 PLATED	1							
15	1	114771-61170	LEVER ASSY, GOVERNOR	1							
21	1	114770-61190	WASHER	1							
22	1	714299-61700	GOVERNOR ASSY	1							
23	1	114299-61210	WEIGHT ASSY, GOVERNOR	1							
28	1	114770-61520	BEARING, NEEDLE	2							
29	1	114770-61600	SEAL, OIL	1							
30	1	114770-61610	WASHER, THRUST	1							
31	1	22322-030200	PIN, TAPER 3X20	1							
32	1	114210-66550	BRACKET ASSY	1							
33	2	114210-66070	HANDLE, REGULATOR	1							
34	2	183250-66070	SHAFT, HANDLE	1							
35	2	114210-66400	BRACKET, HANDLE	1							
36	2	114250-66440	BOLT, ADJUSTING	1							
37	2	104200-66820	SPRING	1							
38	2	104200-66831	PLATE, FRICTION	2							
39	2	104200-66850	WASHER	1							
40	2	26696-100002	NUT, LOCK M10	1							
41	2	26757-060002	NUT, LOCK M6	1							
42	1	26106-060142	BOLT, M6X 14 PLATED	1							
43	1	26106-060452	BOLT, M6X 45 PLATED	1							
44	1	114770-66010	SPRING, REGULATOR	1							
45	1	114250-66200	SPRING, RETURN	1							
46	1	114211-66600	LIMITER ASSY, FUEL	1							
51	1	26776-100002	NUT, LOCK M10	1							
52	1	114780-61090	TIN	2							
53	1	22451-060000	WIRE, 0.6	2							

Fig.6. COOLING & STARTING DEVICE



(A)=L48N6-PYT

(B)=

(C)=

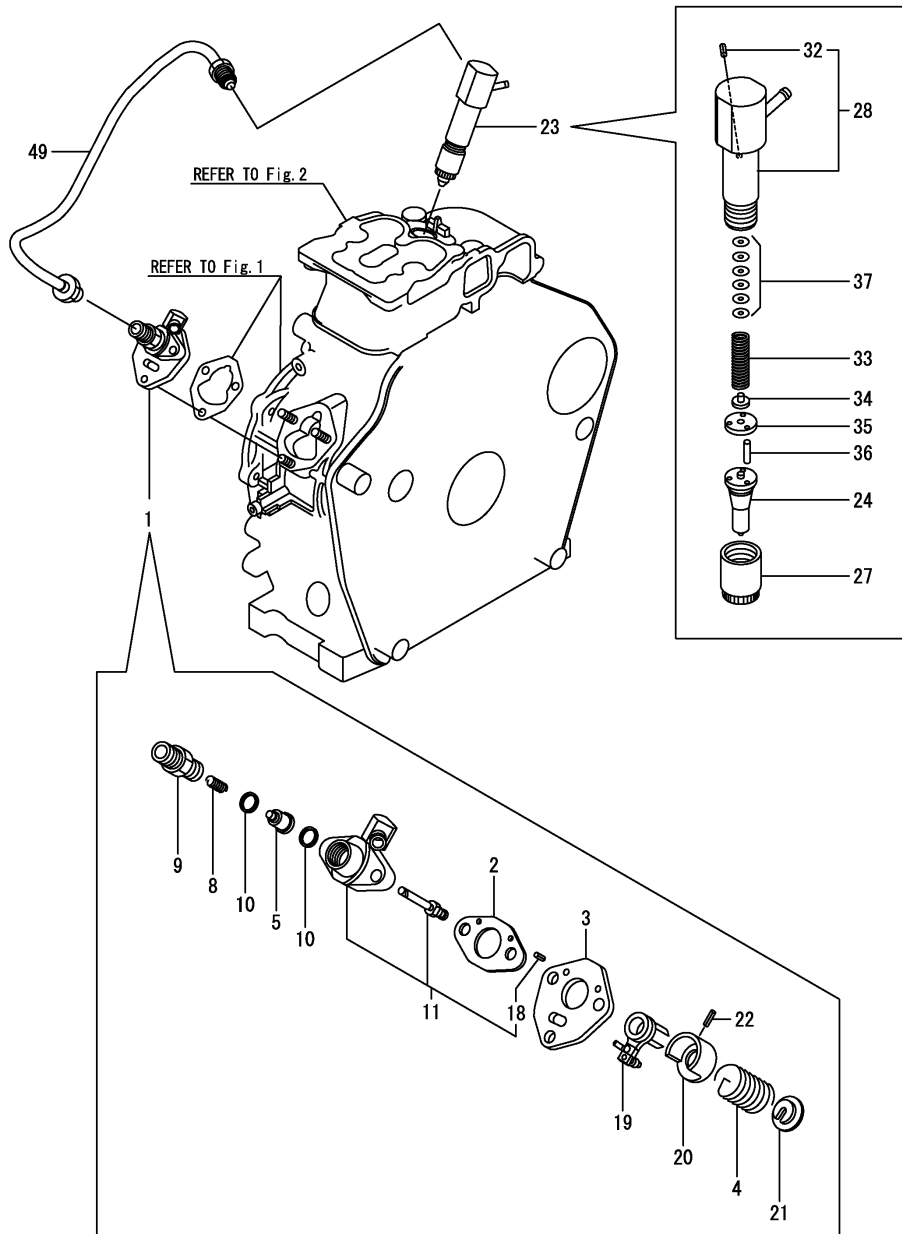
(D)=

(E)=

(F)=

No.	Lev.	Parts No.	Description	Q'ty						I	R
				(A)	(B)	(C)	(D)	(E)	(F)		
1	1	114299-45210	COVER	1							
2	1	26106-060122	BOLT, M6X 12 PLATED	1							
3	1	11429C-45100	CASE, COOLING FAN	1							
4	1	114250-45301	ABSORBER	4							
5	1	114250-45310	COLLAR	4							
6	1	114250-45330	SEAL, FAN CASE L=875	1							
7	1	114370-45351	BOLT	4							
9	2	114260-76251	STARTER ASSY, RECOIL	1							
10	3	114260-76520	CASE, STARTER	1							
11	3	160260-76520	REEL	1							
12	3	160260-76530	RATCHET	1							
13	3	160260-76540	SPRING, SPIRAL	1							
14	3	160260-76550	WASHER, THRUST	1							
15	3	160260-76560	SPRING, FRICTION	1							
16	3	160290-76570	SPRING, RETURN	1							
17	3	160260-76580	COVER	1							
18	3	160260-76590	PLATE, FRICTION	1							
19	3	160260-76600	CIRCLIP	1							
21	4	114250-76620	KNOB, STARTER	1							
22	4	160260-76630	ROPE, STARTER	1							
23	2	114250-76590	PULLEY, STARTER	1							
24	1	26106-060082	BOLT, M6X 8 PLATED	4							
25	1	26106-060122	BOLT, M6X 12 PLATED	3							
26	1	114250-76600	PLUNGER	1							
27	1	114250-76610	HOLDER, PLUNGER	1							

Fig.7. F.I.PUMP & F.I.VALVE



(A)=L48N6-PYT

(B)=

(C)=

(D)=

(E)=

(F)=

No.	Lev.	Parts No.	Description	Q'ty						I	R
				(A)	(B)	(C)	(D)	(E)	(F)		
1	1	714139-51400	PUMP ASSY, INJECTION	1							
2	2	105546-51020	GASKET	1							
3	2	114250-51080	PLATE	1							
4	2	114250-51160	SPRING, PLUNGER	1							
5	2	114250-51300	VALVE ASSY, DELIVERY	1							
8	2	105546-51330	SPRING, DELIVERY	1							
9	2	114250-51340	HOLDER, DELIVERY	1							
10	2	124550-51350	GASKET, DELIVERY	2							
11	2	114350-51400	BODY ASSY, PUMP	1							
18	4	22351-020006	PIN, SPRING 2.0X 6	2							
19	2	114250-51600	LEVER ASSY, CONTROL	1							
20	2	114250-51640	SEAT, SPRING A	1							
21	2	114250-51650	SEAT, SPRING B	1							
22	2	22351-030008	PIN, SPRING 3.0X 8	1							
23	1	714139-53100	VALVE ASSY,INJECTION	1							
24	2	114139-53050	VALVE ASSY,INJECTION	1							
27	2	114250-53080	NUT, NOZZLE D16.95	1							
28	2	114139-53100	HOLDER ASSY, NOZZLE	1							
32	3	22351-025005	PIN, SPRING 2.5X 6	1							
33	2	114250-53120	SPRING, NOZZLE	1							
34	2	114250-53130	SEAT, SPRING	1							
35	2	114250-53140	PLATE	1							
36	2	114250-53210	PIN	2							
37	2	114250-53400	SHIM SET	1							
49	1	114110-59820	PIPE ASSY, INJECTION	1							

Fig.8. TOOL,LABEL & GASKET SET

(A)=L48N6-PYT

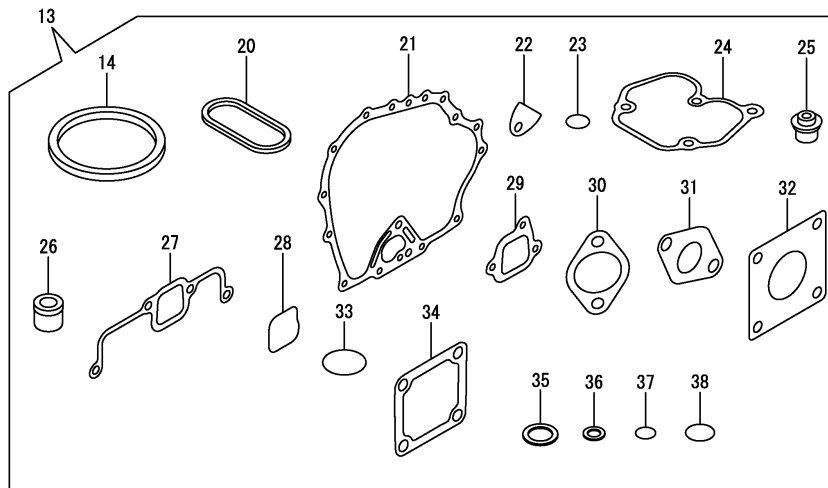
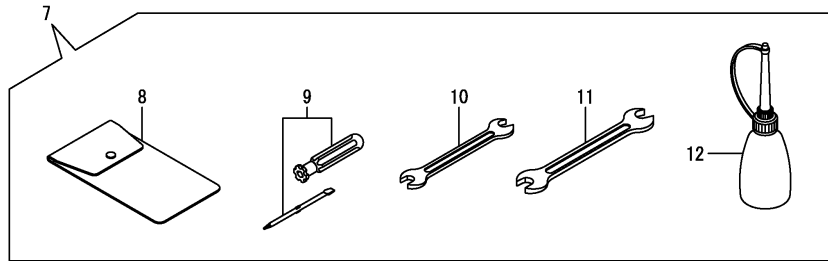
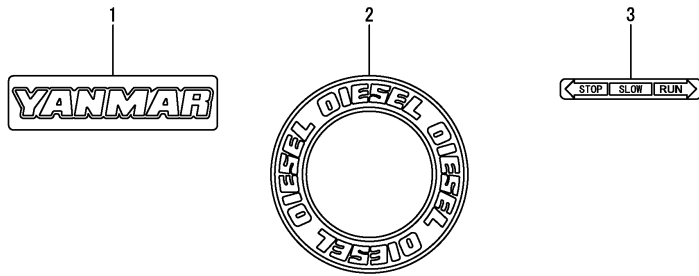
(B)=

(C)=

(D)=

(E)=

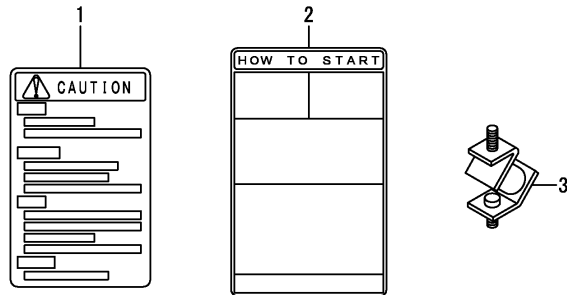
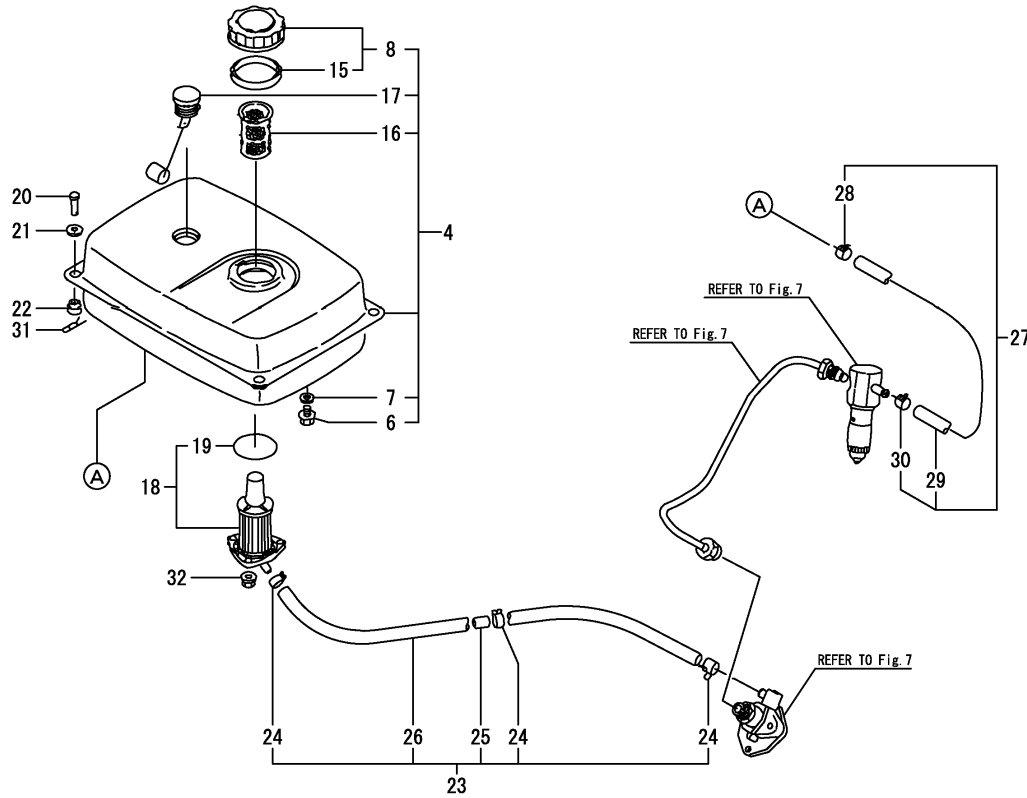
(F)=



No.	Lev.	Parts No.	Description	Q'ty						I	R
				(A)	(B)	(C)	(D)	(E)	(F)		
1	1	114250-07111	LABEL, YANMAR	1							
2	1	114261-07350	LABEL, DIESEL	1							
3	1	183250-07230	LABEL, OPERATION	1							
7	1	714250-92100	BOX ASSY, TOOL	1							
8	2	114250-92600	BAG, TOOL	1							
9	2	160330-92730	DRIVE, SCREW	1							
10	2	28110-100120	SPANNER, 10X12	1							
11	2	28110-140170	SPANNER, 14X17	1							
12	2	28210-000150	OILER	1							
13	1	114120-92600	GASKET SET	1							1
14	2	114295-01330	GASKET, HEAD	1							
20	2	114299-01380	O-RING	1							
21	2	114299-01410	GASKET, CRANK CASE	1							
22	2	114250-01841	GASKET	1							
23	2	114299-01950	O-RING, 18	2							
24	2	114771-11310	GASKET, BONNET	1							
25	2	114250-11340	SEAL, VALVE STEM	2							
26	2	114771-11461	GASKET, NOZZLE	1							
27	2	114771-12200	GASKET	1							
28	2	114288-12210	O-RING	1							
29	2	114299-12210	GASKET, AIR CLEANER	2							
30	2	114299-12920	GASKET, AIR CLEANER	1							
31	2	114299-13200	GASKET, MUFFLER	1							
32	2	114299-21980	GASKET	1							
33	2	114299-32570	O-RING	1							
34	2	129100-77510	GASKET, AIR HEATER	3							
35	2	22190-160002	WASHER, SEAL 16	2							
36	2	23414-080000	GASKET, 8X1.0	1							
37	2	24341-000150	O-RING, 1AS15.0	1							
38	2	24341-000224	O-RING, 1AS22.4	1							

Remarks
(1)OPTIONAL PART.

Fig.9. PARTS ,ACCESSORY



(A)=L48N6-PYT
(B)=
(C)=

(D)=
(E)=
(F)=

No.	Lev.	Parts No.	Description	Q'ty						I	R
				(A)	(B)	(C)	(D)	(E)	(F)		
1	1	114268-07240	LABEL, CAUTION	1							
2	1	114268-07350	LABEL, HOW TO START	1							
3	1	183250-08220	DAMPER	4							
4	1	783277-55701-R	TANK ASSY, FUEL	1							
6	3	104200-55080	PLUG, DRAIN	1							
7	3	22190-120002	WASHER, SEAL 12	1							
8	2	160710-55061	CAP ASSY	1							
15	3	160393-55050	GASKET	1							
16	2	160710-55100	FILTER, FUEL	1							
17	2	183925-55150	GAUGE	1							
18	1	183254-55120	FILTER, FUEL	1							
19	2	24341-000450	O-RING, 1AS45.0	1							
20	1	183350-55120	PIN, 6X14	4							
21	1	183350-55130	WASHER	4							
22	1	183720-55210	GROMMET	4							
23	1	183366-59011	PIPE ASSY, FUEL	1							
24	2	106990-44660	CLIP, HOSE 12.5	3							
25	2	183250-59040	PIECE	1							
26	2	183366-59371	PIPE, FUEL L=270	1							
27	1	114139-59160	PIPE ASSY, RETURN	1							
28	2	124722-59050	CLIP, HOSE 9	1							
29	2	114260-59070	PIPE, FUEL RETURN	1							
30	2	124066-59100	CLIP, HOSE 8	1							
31	1	22360-060000	PIN, SNAP 6	4							
32	1	26366-060002	NUT, M6	3							

Parts No. Index

Parts No.	Fig. No.	Ref. No.
103338-32570	5	8
103854-01221	4	17
104200-55080	9	6
104200-66820	5	37
104200-66831	5	38
104200-66850	5	39
105425-01690	1	41
105546-51020	7	2
105546-51330	7	8
106990-44660	9	24
114110-59820	7	49
114120-11030	2	1
114120-92600	8	13
114139-53050	7	24
114139-53100	7	28
114139-59160	9	27
114210-66070	5	33
114210-66400	5	35
114210-66550	5	32
114211-66600	5	46
114250-01200	1	5
114250-01210	1	6
114250-01221	1	7
114250-01251	1	8
114250-01380	1	11
114250-01412	1	30
114250-01800	1	13
114250-01830	1	24
114250-01841	1	25
	8	22
114250-02100	1	34
114250-02113	1	49
114250-02200	1	39
114250-02210	1	40
114250-03640	2	37
114250-07111	8	1
114250-11120	2	8
114250-11180	2	9
114250-11240	2	14
		18
114250-11340	2	21
	8	25
114250-11600	2	25
114250-11901	2	26
114250-12211	3	1
114250-12300	2	48
	3	2
114250-12520	3	6
114250-12530	3	7
114250-12550	3	3

Parts No.	Fig. No.	Ref. No.
114250-12560	3	8
114250-12570	3	4
114250-12581	3	9
114250-13201	3	15
114250-14200	4	6
114250-14451	4	8
114250-21550	4	21
114250-32010	5	1
114250-32070	5	7
114250-35110	5	11
114250-35150	1	36
114250-45301	6	4
114250-45310	6	5
114250-45330	6	6
114250-51080	7	3
114250-51160	7	4
114250-51300	7	5
114250-51340	7	9
114250-51600	7	19
114250-51640	7	20
114250-51650	7	21
114250-53080	7	27
114250-53120	7	33
114250-53130	7	34
114250-53140	7	35
114250-53210	7	36
114250-53400	7	37
114250-66200	5	45
114250-66440	5	36
114250-76590	6	23
114250-76600	6	26
114250-76610	6	27
114250-76620	6	21
114250-92600	8	8
114260-59070	9	29
114260-76251	6	9
114260-76520	6	10
114261-07350	8	2
114268-07240	9	1
114268-07350	9	2
114270-01600	1	12
114288-12210	8	28
114295-01330	8	14
114299-01380	8	20
114299-01410	8	21
114299-01760	1	42
114299-01950	1	44
	8	23
114299-02030	1	48
114299-12210	8	29

Parts No.	Fig. No.	Ref. No.
114299-12920	8	30
114299-13200	8	31
114299-21980	8	32
114299-22300	4	31
114299-32570	8	33
114299-45210	6	1
114299-61210	5	23
11429C-01020	1	1
11429C-01450	1	31
11429C-11100	2	6
11429C-11110	2	7
11429C-11250	2	10
11429C-11260	2	11
11429C-11650	2	12
11429C-11660	2	16
11429C-11980	2	34
11429C-13500	3	16
11429C-13700	3	18
11429C-21590	4	18
11429C-28510	4	40
11429C-45100	6	3
11431C-13720	3	19
114339-11451	2	23
114339-11551	2	24
114350-01700	1	46
114350-51400	7	11
114370-45351	6	7
114718-11910	2	27
114770-07450	3	5
114770-23100	4	36
114770-61190	5	21
114770-61520	5	28
114770-61600	5	29
114770-61610	5	30
114770-66010	5	44
114771-01340	1	10
114771-11310	2	33
	8	24
114771-11461	8	26
114771-12010	3	10
114771-12200	3	11
	8	27
114771-14260	4	7
114771-61170	5	15
114780-61090	5	52
119260-11370	2	22
119265-23200	4	37
124066-59100	9	30
124550-51350	7	10
124722-59050	9	28

Parts No.	Fig. No.	Ref. No.
124950-01250	1	9
129100-77510	8	34
160110-02220	1	50
160210-02220	1	51
160260-76520	6	11
160260-76530	6	12
160260-76540	6	13
160260-76550	6	14
160260-76560	6	15
160260-76580	6	17
160260-76590	6	18
160260-76600	6	19
160260-76630	6	22
160290-76570	6	16
160330-92730	8	9
160393-55050	9	15
160670-66350	2	49
160710-55061	9	8
160710-55100	9	16
183250-03410	2	44
183250-03450	2	45
183250-03510	2	46
183250-03550	2	47
183250-03601	2	36
183250-07230	8	3
183250-08220	9	3
183250-59040	9	25
183250-66070	5	34
183254-55120	9	18
183350-55120	9	20
183350-55130	9	21
183366-59011	9	23
183366-59371	9	26
183720-55210	9	22
183925-55150	9	17
22190-120002	9	7
22190-160002	1	45
	8	35
22242-000120	2	20
22252-000190	4	32
22312-030160	2	39
	5	9
22312-040080	1	26
22322-030200	5	31
22351-020006	7	18
22351-025005	7	32
22351-030008	7	22
22351-040008	2	28
22360-060000	9	31
22451-060000	5	53

Parts No. Index

Parts No.	Fig. No.	Ref. No.
22512-040120	4	22
23414-080000	8	36
23876-010000	1	54
24101-062020	4	45
24162-152112	1	52
24341-000150	8	37
24341-000224	5	13
	8	38
24341-000450	9	19
26106-060082	6	24
26106-060122	3	20
	5	10
	6	2
		25
26106-060142	2	50
		51
	5	42
26106-060162	5	14
26106-060252	1	37
	3	12
26106-060452	2	29
	5	43
26106-060552	2	43
26106-080122	1	53
26106-080352	1	38
26106-100122	1	47
26216-080182	3	21
26226-060142	3	13
26226-060182	1	27
26226-060222	1	28
26226-060552	3	14
26306-080002	3	22
26366-060002	1	29
	2	30
	9	32
26557-060142	2	52
26696-100002	5	40
26757-060002	5	41
26776-100002	5	51
26856-060002	2	15
		19
27310-055001	2	31
28110-100120	8	10
28110-140170	8	11
28210-000150	8	12
714120-22580	4	52
714120-22620	4	46
714120-22720	4	23
714139-21170	4	9
714139-51400	7	1

Parts No.	Fig. No.	Ref. No.
714139-53100	7	23
714250-92100	8	7
714295-22500	4	25
714295-22540	4	48
714295-22550	4	54
714299-61700	5	22
71429C-14010	4	1
71429C-23010	4	33
714770-23600	4	38
714770-23610	4	58
714770-23620	4	60
783277-55701-R	9	4

Parts No.	Fig. No.	Ref. No.
-----------	----------	----------

Parts No.	Fig. No.	Ref. No.
-----------	----------	----------