

0CB10-M76300EN

## Directions for the Parts Catalog.

1. This Parts Catalog shows both standard and optional parts.
2. Parts may change without prior notice.
3. The following is an example of the Parts Catalog format.

REF.	LEV.	PARTS NO.	DESCRIPTION	Q'TY						I	R
				(A)	(B)	(C)	(D)	(E)	(F)		
1	1	729595-51390	FUEL INJECTION PUMP	1	1	1	1	1			1
1-1	1	729595-51391	FUEL INJECTION PUMP	1	1	1	1	1		N	1
		(A=E00185) (B=E00200)									
3	2	26022-060162	SCREW M 6X 16	9	9	9	9	9			
3-1	2	26022-060162	SCREW M 6X 16	4	4	4	4	4		K	
		(A=E00156) (B=E00156) (C=E00156) (D=E00156) (E=E00156)									
4	2	129470-51040	CAMSHAFT	1	1	1	1	1			
5	2	122710-51050	BEARING, ROLLER	2	2	2	2	2			
6	2	129470-51060	RETAINER	1	1	1	1	1			

Remarks
(1) BOOST COMPEMSATOR TYPE. OPTIONAL PART, TO E00155,(4JH-DT, 4JH-DTZ

### ① Ref. No.

The Ref. No. listed may not be in accordance with the illustration Ref. No.

(Ex.) Illustration No.

List Ref No.

1

1

(Before change)

1-1

(After change)

For interchangeable symbols N, R and K, illustrations for new parts may be abbreviated.

### ② Lev. (Level)

Level indication

The numbers below indicate the level of relativity towards the main part.

1 ----- Main parts (Assembly parts)

2 ----- Sub component included in " 1 ".

3 ----- Sub component included in " 2 ".

Note) Parts that are not for sale are partially illustrated but not listed.

### ③ Interchangeability Symbol

When a part change takes place, one of the following interchangeability symbols is indicated beside the part.

Symbol	Interchangeability	Contents note
N	Old $\begin{matrix} \leftarrow \text{Yes} \\ \text{No} \rightarrow \end{matrix}$ New	New Part is interchangeable for Old Part but Old Part is not interchangeable for New Part.
Q	Old $\begin{matrix} \leftarrow \text{No} \\ \text{Yes} \rightarrow \end{matrix}$ New	New Part is not interchangeable for Old Part but Old Part is interchangeable for New Part.
R	Old $\begin{matrix} \leftarrow \text{Yes} \\ \text{Yes} \rightarrow \end{matrix}$ New	New/ Old Parts are both interchangeable.
S	Old $\begin{matrix} \leftarrow \text{No} \\ \text{No} \rightarrow \end{matrix}$ New	New/ Old Parts are both not interchangeable.
W		Part newly added.
Z		Part discontinued.
F		Not interchangeable by a single part but interchangeable together with related parts.
K		Changes only for used parts quantities.

### ④ Effective Machine No.

When a part changes, the effective Machine No. will be indicated in the (A)-(F) column.

Product Symbol	Product No.	Product Symbol	Product No.
C	Clutch No. Compressor No.	F	Machine No. (Agricultural Equip.)
D	Drive No.	M	Machine No.
E	Engine No.		

Note 1) A date may follow the symbol. (Ex.) 1996.01

Note 2) "XXXXX" and "ZZZZZ" are for parts that could not be predicted or for engine models that could not be identified.

Note 3) (A=E00185) is the E (Engine Serial Number) for the column (A) model (in this case 4JH-DT) after the parts design change.

### ⑤ Remarks

Figures or alphabets (symbols) are entered in the remarks column.

The comments (remarks) on parts that are indicated at the bottom of the illustration are the same symbols as those stated above.

# Contents

0CB10-M76300

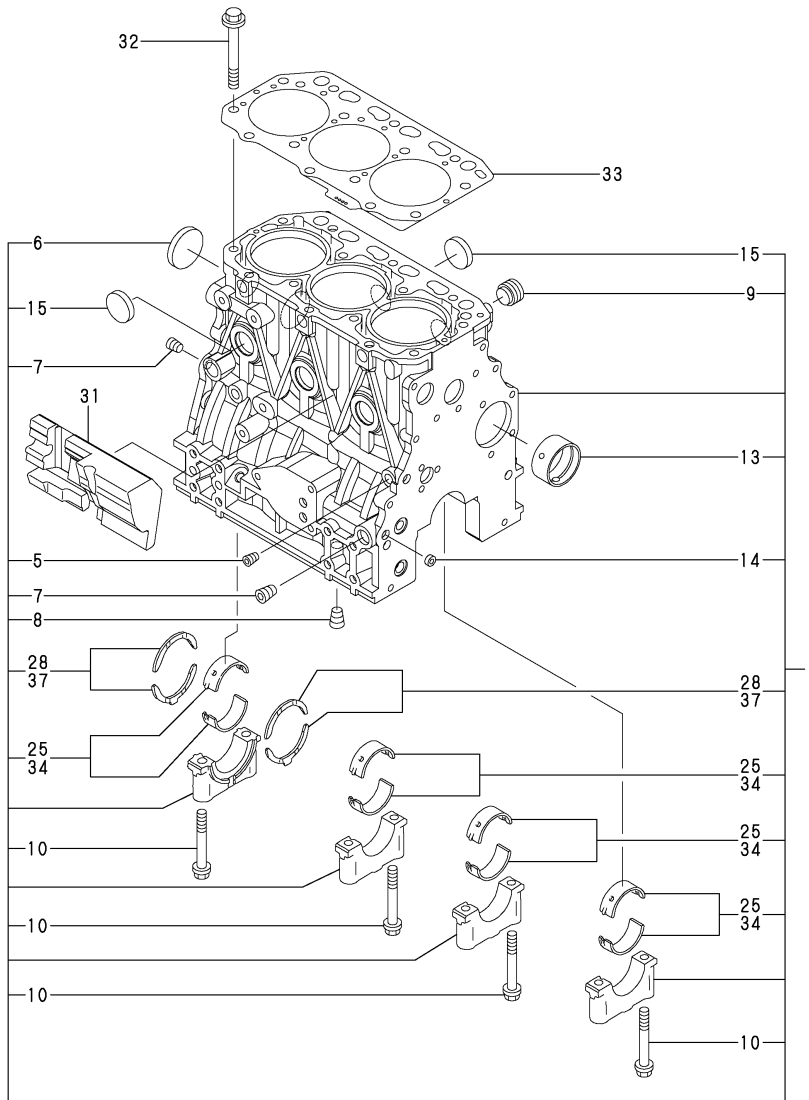
Fig. No.	Fig. Name
ENGINE SECTION (3TNV88-BDFW)	
1.	CYLINDER BLOCK
2.	GEAR HOUSING
3.	FLYWHEEL HOUSING & OIL SUMP
4.	CYLINDER HEAD & BONNET
5.	SUCTION MANIFOLD
6.	EXHAUST MANIFOLD
7.	CAMSHAFT & DRIVING GEAR
8.	CRANKSHAFT & PISTON
9.	LUB.OIL SYSTEM
10.	COOLING WATER SYSTEM
11.	FUEL INJECTION PUMP
12.	GOVERNOR
13.	FUEL INJECTION VALVE
14.	STARTING MOTOR
15.	GENERATOR
16.	GASKET SET & TOOLS

Fig. No.	Fig. Name
----------	-----------

Fig.1. CYLINDER BLOCK

(A)=3TNV88-BDFW  
(B)=  
(C)=

(D)=  
(E)=  
(F)=



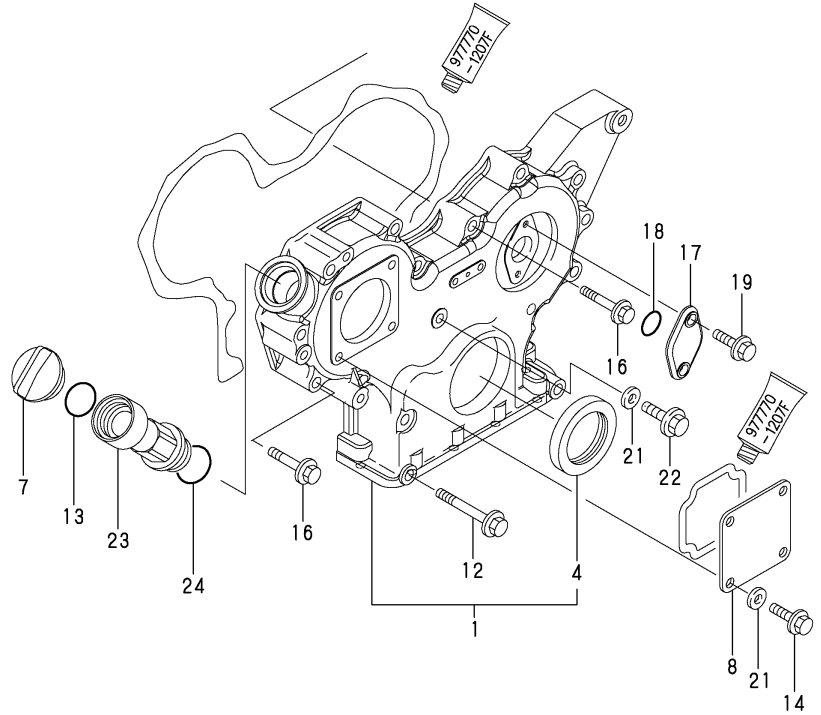
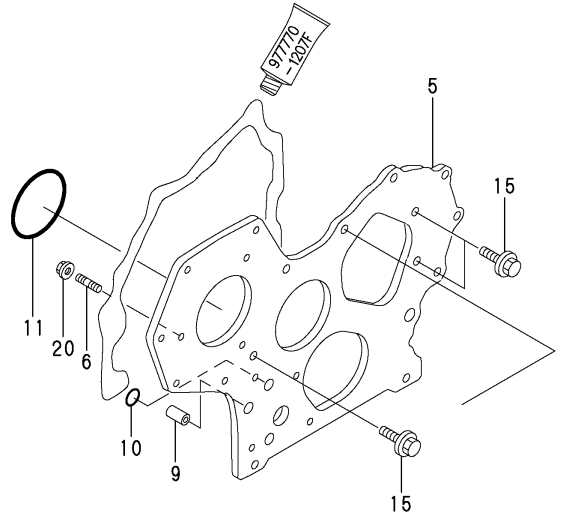
No.	Lev.	Parts No.	Description	Q'ty						I	R
				(A)	(B)	(C)	(D)	(E)	(F)		
1	1	729005-01562	BLOCK ASSY, CYLINDER	1							
5	2	124060-01050	PLUG, PT1/8	1							
6	2	129001-01250	PLUG, 50	1							
7	2	124160-01910	PLUG, PT1/4	2							
8	2	124160-01910	PLUG, PT1/4	1							
9	2	171051-01921	PLUG, NPTF1	1							
10	2	129150-02020	BOLT, METAL CAP	8							
13	2	129795-02412	BUSH, CAMSHAFT	1							
14	2	27241-120000	PLUG, 12	2							
15	2	27241-300000	PLUG 30	6							
25	2	129001-02931	BEARING, MAIN	4							3
28	2	129150-02931	BEARING, THRUST	2							3
31	1	129004-01190	SPACER	1							
32	1	129150-01200	BOLT, HEAD	14							
33	1	129001-01340	GASKET, HEAD	1							
34	1	129150-02871	BEARING, 0.25 US	4							1
37	1	129150-02941	BEARING, THRUST 0.25	1							2

Remarks  
(1) UNDER SIZED (U.S.=0.25) PART.  
(2) OVER SIZED (O.S.=0.25) PART.  
(3) REPAIR PART.

Fig.2. GEAR HOUSING

(A)=3TNV88-BDFW  
(B)=  
(C)=

(D)=  
(E)=  
(F)=

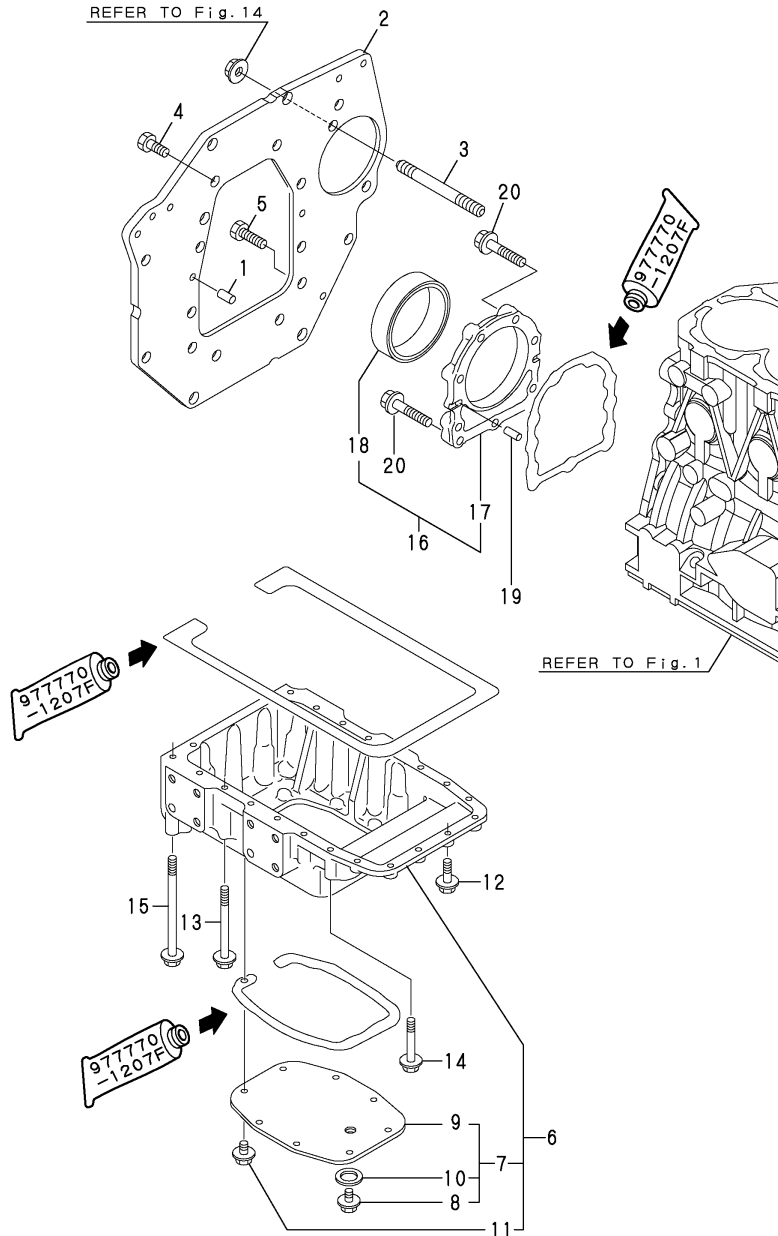


No.	Lev.	Parts No.	Description	Q'ty						I	R
				(A)	(B)	(C)	(D)	(E)	(F)		
1	1	719803-01500	CASE ASSY, GEAR	1							
4	2	119934-01800	SEAL, OIL	1							
5	1	119803-01520	FLANGE, GEAR CASE	1							
6	1	119802-01561	STUD, M8X25	3							
7	1	124160-01751	COVER, FILLER	1							
8	1	124240-01871	COVER	1							
9	1	129795-01950	PIPE, KNOCK L=18	2							
10	1	119609-32040	O-RING, P16	2							
11	1	121850-51960	O-RING	1							
12	1	129001-91841	BOLT, M8X85	3							
13	1	24311-000320	O-RING, 1AP32.0	1							
14	1	26106-080162	BOLT, M8X 16 PLATED	4							
15	1	26106-080162	BOLT, M8X 16 PLATED	3							
16	1	26106-080552	BOLT, M8X 55 PLATED	12							
17	1	121023-01551	COVER	1							
18	1	24341-000240	O-RING, 1AS24.0	1							
19	1	26106-060162	BOLT, M6X 16 PLATED	2							
20	1	26306-080002	NUT, M8	3							
21	1	22190-080002	WASHER, SEAL 6	5							
22	1	26106-080302	BOLT, M8X 30 PLATED	1							
23	1	121027-11743	PIPE	1							
24	1	24311-000320	O-RING, 1AP32.0	1							

Fig.3. FLYWHEEL HOUSING & OIL SUMP

(A)=3TNV88-BDFW  
(B)=  
(C)=

(D)=  
(E)=  
(F)=



No.	Lev.	Parts No.	Description	Qty						I	R
				(A)	(B)	(C)	(D)	(E)	(F)		
1	1	129100-01580	PIN, M8X16	2							
2	1	129129-01600	FLANGE, MOUNTING	1							
3	1	129030-01610	BOLT	1							
4	1	26206-100202	BOLT, M10X 20 PLATED	6							
5	1	26206-100252	BOLT, M10X 25 PLATED	4							
6	1	129030-01770	SUMP ASSY, OIL	1							
7	2	129030-01550	COVER ASSY, OIL SUMP	1							
8	3	105425-01690	PLUG, 16	1							
9	3	129030-01720	COVER, OIL SUMP	1							
10	3	22190-160002	WASHER, SEAL 16	1							
11	2	26106-080122	BOLT, M8X 12 PLATED	8							
12	1	26106-080252	BOLT, M8X 25 PLATED	6							
13	1	129001-91841	BOLT, M8X85	8							
14	1	26106-080502	BOLT, M8X 50 PLATED	4							
15	1	129001-91910	BOLT, M8X120	4							
16	1	129100-01640	CASE ASSY, OIL SEAL	1							
17	2	129150-01650	CASE, OIL SEAL	1							
18	2	129795-01780	SEAL, OIL	1							
19	1	129100-01580	PIN, M8X16	2							
20	1	129486-01670	BOLT, M8X30	9							

Fig.4. CYLINDER HEAD & BONNET

(A)=3TNV88-BDFW

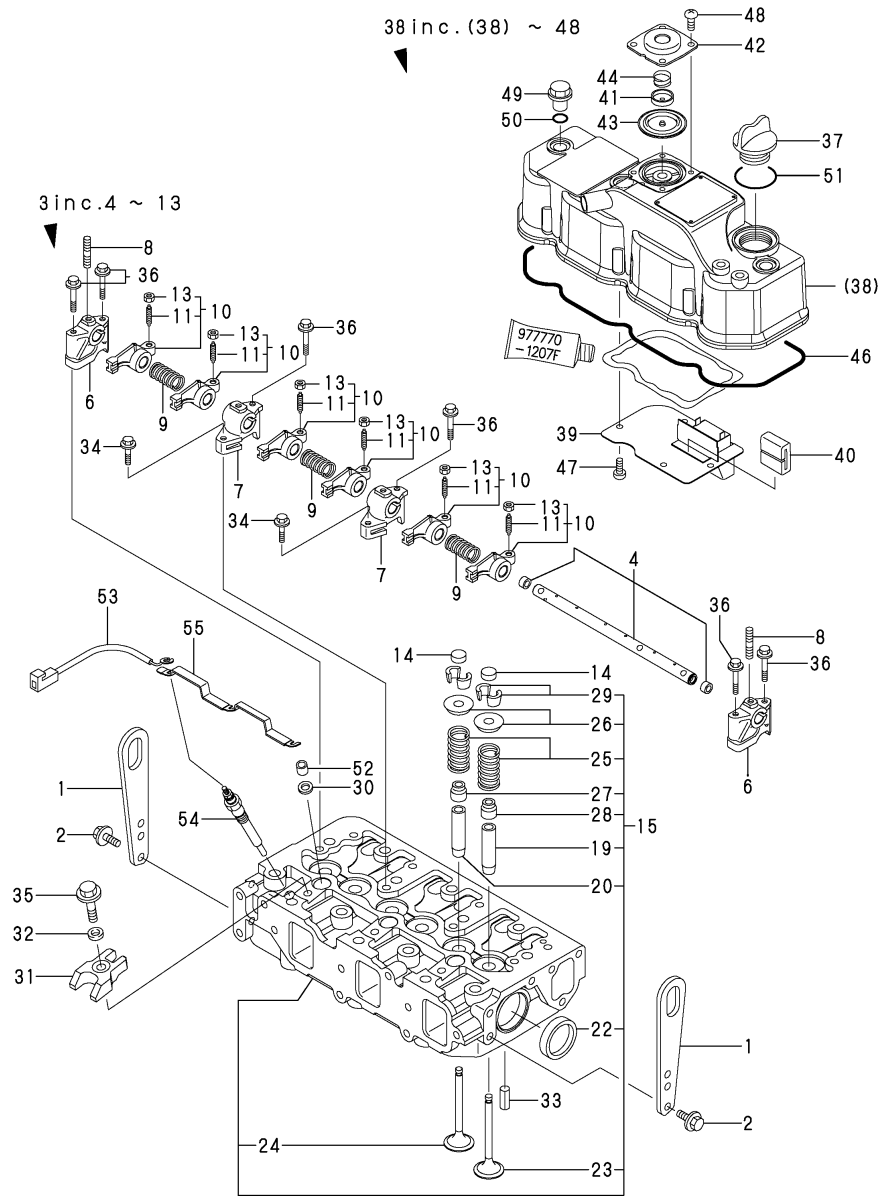
(B)=

(C)=

(D)=

(E)=

(F)=



No.	Lev.	Parts No.	Description	Q'ty						I	R
				(A)	(B)	(C)	(D)	(E)	(F)		
1	1	129900-07900	LIFTER	2							
2	1	26106-080162	BOLT, M8X 16 PLATED	4							
3	1	129004-11241	SHAFT ASSY, ROCKER	1							
4	2	129004-11251	SHAFT, ROCKER ARM	1							
6	2	119802-11260	SUPPORT, ROCKER ARM	2							
7	2	119802-11270	SUPPORT, ROCKER ARM	2							
8	2	119802-11280	STUD	3							
9	2	129150-11280	SPRING	3							
10	2	129004-11650	ARM, ROCKER	6							
11	3	129150-11230	SCREW, VALVE ADJUST	6							
13	3	129150-11750	NUT, M8	6							
14	1	129150-11370	CAP, VALVE	6							
15	1	129008-11710	HEAD ASSY, CYLINDER	1							
19	3	120130-11860	GUIDE, VALVE	3							1
20	3	129150-11810	GUIDE, VALVE	3							1
22	3	27241-400000	PLUG, 40	2							
23	2	129005-11100	VALVE, INTAKE	3							
24	2	129100-11112	VALVE, EXHAUST	3							
25	2	129795-11120	SPRING, VALVE	6							
26	2	129795-11180	RETAINER, SPRING	6							
27	2	121400-11340	SEAL, VALVE STEM	3							
28	2	124460-11340	SEAL, VALVE STEM	3							
29	2	27310-080001	COTTER, 8	6							
30	1	119625-11880	SEAT, NOZZLE	3							
31	1	129004-11900	RETAINER, NOZZLE	3							
32	1	120270-54410	WASHER, INJECTOR	3							
33	1	22351-060012	PIN, SPRING 6.0X12	2							
34	1	26106-080252	BOLT, M8X 25 PLATED	2							
35	1	26106-080352	BOLT, M8X 35 PLATED	3							
36	1	26106-080502	BOLT, M8X 50 PLATED	6							
37	1	124160-01751	COVER, FILLER	1							
38	1	129004-11350	BONNET ASSY, HEAD	1							
39	2	129004-03010	PLATE	1							
40	2	129150-03070	BAFFLE, BREATHER	1							
41	2	119802-03110	PLATE	1							
42	2	119802-03121	COVER, DIAPHRAGM	1							
43	2	119802-03130	DIAPHRAGM	1							
44	2	119802-03141	SPRING, DIAPHRAGM	1							
46	2	129004-11310	GASKET, BONNET	1							
47	2	22857-500100	SCREW, 5X10	4							
48	2	22857-500100	SCREW, 5X10	4							
49	1	124160-11360	KNOB	3							
50	1	24311-000120	O-RING, 1AP12.0	3							
51	1	24311-000320	O-RING, 1AP32.0	1							
52	1	119802-11870	PROTECTOR, NOZZLE	3							
53	1	119803-77830	HARNES, WIRE	1							
54	1	129008-77800	PLUG, GLOW	3							
55	1	129008-77820	CONNECTOR, GLOW PLUG	1							

Remarks

(1)REPAIR PART.

N:Old  $\xrightarrow{\text{Yes}}$  New, Q:Old  $\xrightarrow{\text{No}}$  New, R:Old  $\xrightarrow{\text{Yes}}$  New, S:Old  $\xrightarrow{\text{No}}$  New, W:Add, Z:Discontinued, F:Interchangeable by set, K:Q'ty Change

Fig.5. SUCTION MANIFOLD

(A)=3TNV88-BDFW  
(B)=  
(C)=

(D)=  
(E)=  
(F)=

No.	Lev.	Parts No.	Description	Q'ty						I	R
				(A)	(B)	(C)	(D)	(E)	(F)		
1	1	129004-03080	PIPE , BREATHER	1							
2	2	129410-03990	CLIP	2							
3	1	129004-12100	MANIFOLD, AIR INTAKE	1							
4	1	129001-12110	GASKET, MANIFOLD	1							
5	1	26106-080202	BOLT, M8X 20 PLATED	4							
6	1	26106-080802	BOLT, M8X 80 PLATED	1							
7	1	119803-77520	BEND, AIR HEATER	1							
8	1	129150-77511	GASKET	1							
9	1	26106-080202	BOLT, M8X 20 PLATED	2							
10	1	26106-080802	BOLT, M8X 80 PLATED	2							

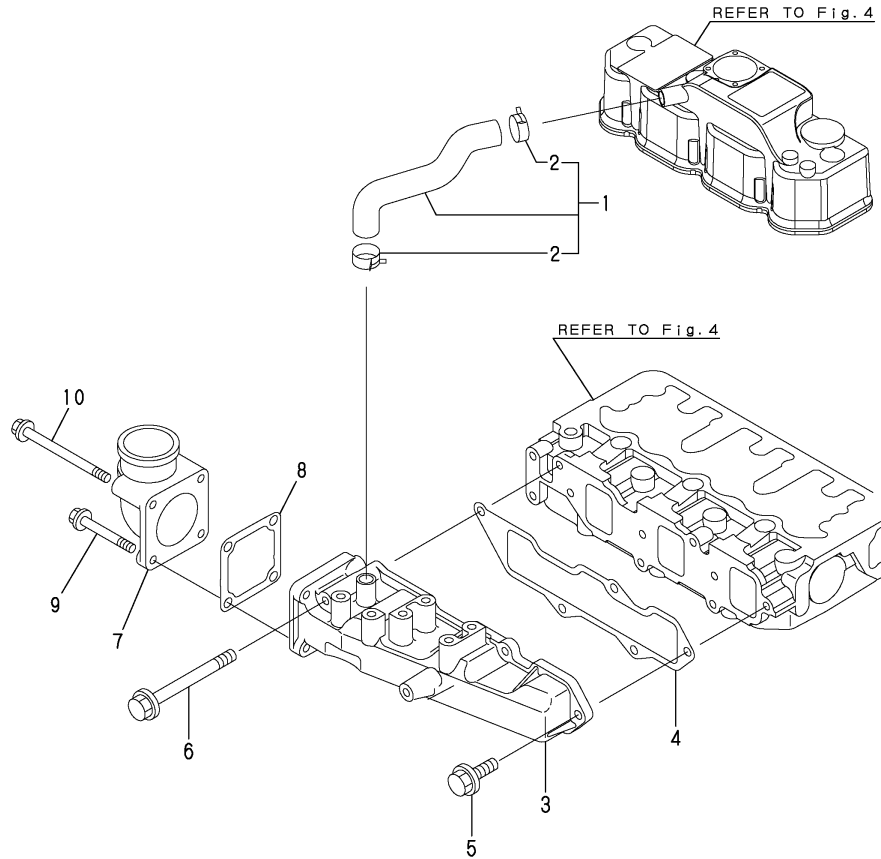




Fig.6. EXHAUST MANIFOLD

(A)=3TNV88-BDFW  
(B)=  
(C)=

(D)=  
(E)=  
(F)=

No.	Lev.	Parts No.	Description	Q'ty						I	R
				(A)	(B)	(C)	(D)	(E)	(F)		
1	1	129100-13110	MANIFOLD, EXHAUST	1							
2	1	129150-13110	GASKET	1							
3	1	119131-18320	STUD, M8X22	4							
4	1	123900-13630	BOLT, M8X80	4							
5	1	123900-13610	STUD, M8X80	2							
6	1	26306-080002	NUT, M8	2							

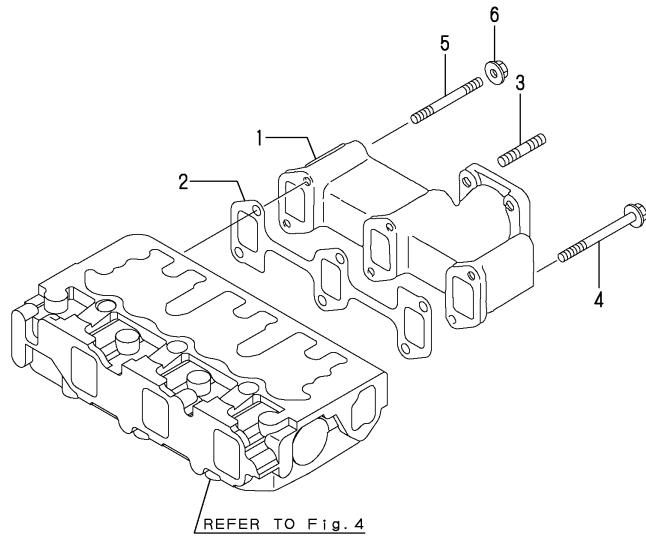


Fig.7. CAMSHAFT & DRIVING GEAR

(A)=3TNV88-BDFW

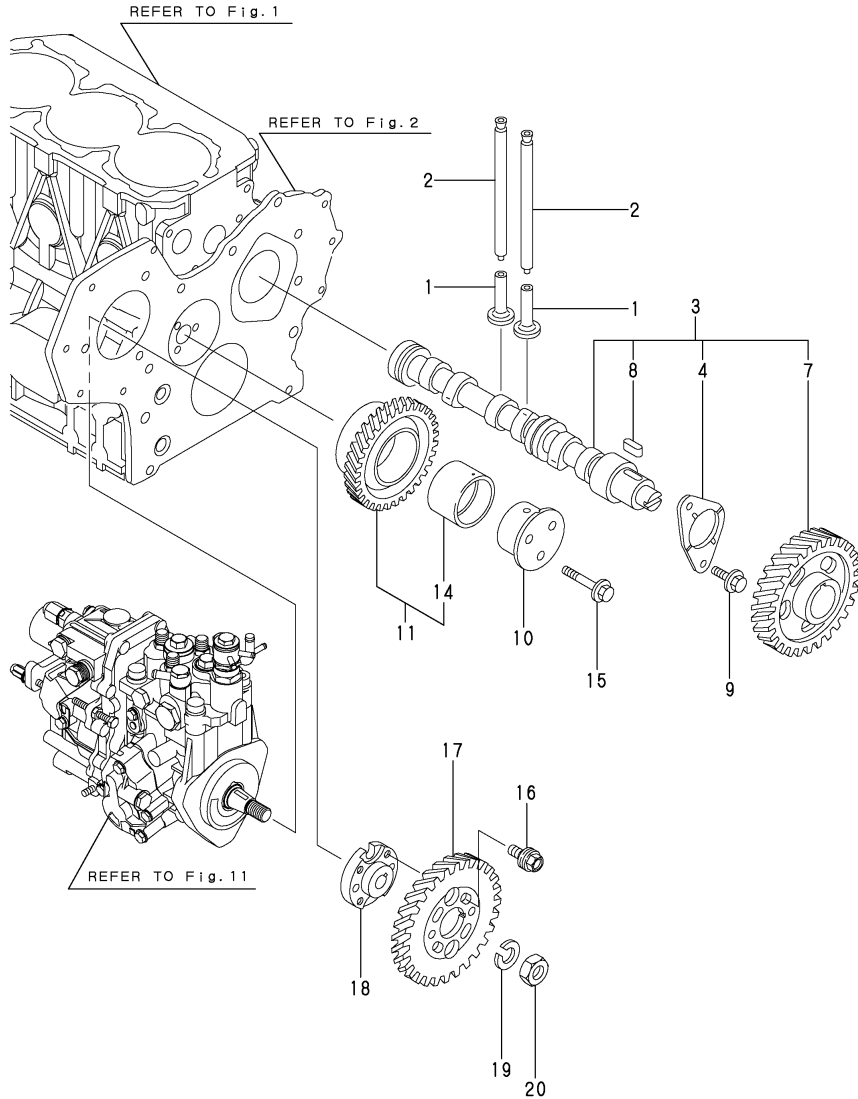
(B)=

(C)=

(D)=

(E)=

(F)=



No.	Lev.	Parts No.	Description	Qty						I	R
				(A)	(B)	(C)	(D)	(E)	(F)		
1	1	129150-14200	TAPPET	6							
2	1	129150-14400	ROD, PUSH L=178	6							
3	1	129129-14580	CAMSHAFT ASSY	1							
4	2	129150-02450	BEARING, THRUST	1							
7	2	129150-14101	GEAR, CAMSHAFT	1							
8	2	22512-070140	KEY, 7X 14	1							
9	1	26106-080142	BOLT, M8X 14 PLATED	2							
10	1	119803-25050	SHAFT, IDLE	1							
11	1	119802-25101	GEAR ASSY, IDLE	1							
14	2	119802-25071	BUSH, IDLE GEAR	1							1
15	1	26106-080402	BOLT, M8X 40 PLATED	3							
16	1	129150-25301	BOLT	4							
17	1	119802-25901	GEAR, PUMP	1							
18	1	158552-51151	FLANGE	1							
19	1	22217-140000	WASHER, SPRING 14	1							
20	1	26776-140002	NUT, LOCK M14	1							

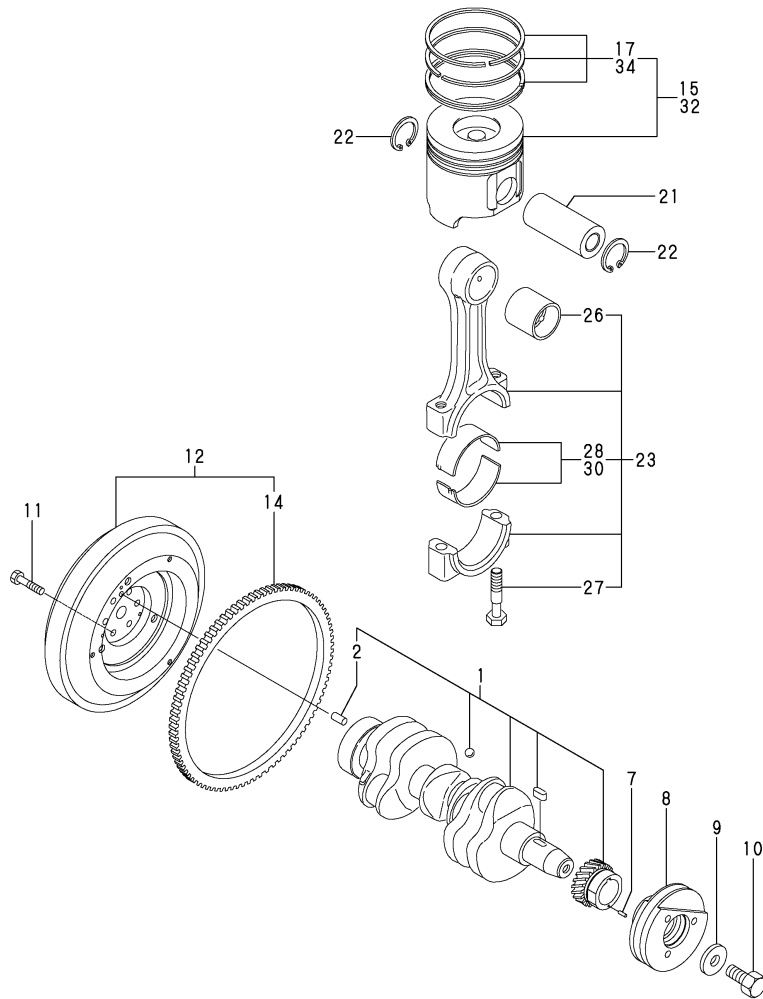
Remarks

(1)REPAIR PART.

Fig.8. CRANKSHAFT & PISTON

(A)=3TNV88-BDFW  
(B)=  
(C)=

(D)=  
(E)=  
(F)=

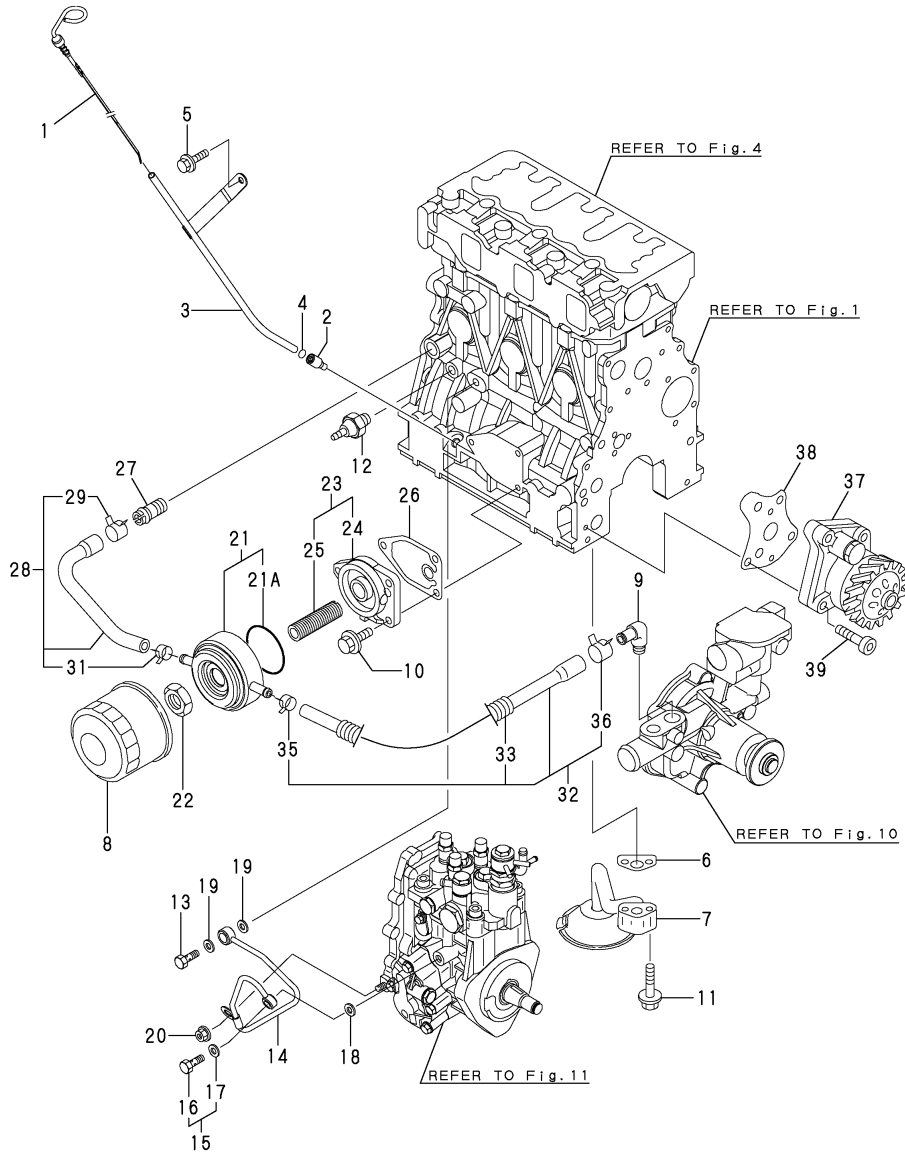


No.	Lev.	Parts No.	Description	Q'ty						I	R
				(A)	(B)	(C)	(D)	(E)	(F)		
1	1	129008-21000	CRANKSHAFT ASSY	1							
2	2	129100-01580	PIN, M8X16	1							
7	1	22351-030010	PIN, SPRING 3.0X10	1							
8	1	129005-21650	V-PULLEY, 120	1							
9	1	129795-21661	WASHER	1							
10	1	121850-21680	BOLT	1							
11	1	121111-21501	BOLT, FLYWHEEL	6							
12	1	129240-21590	FLYWHEEL ASSY	1							
14	2	119865-21600	GEAR, RING	1							
15	1	129005-22080	PISTON ASSY	3							
17	2	129005-22500	RING SET, PISTON	3							
21	1	129202-22300	PIN, PISTON D26 L70	3							
22	1	22252-000260	RING, 26	6							
23	1	729402-23100	ROD ASSY, CONNECTING	3							
26	2	129100-23910	BEARING, PISTON PIN	3							1
27	2	121550-23200	BOLT, CONNECTING ROD	6							
28	2	129150-23601	BEARING, CRANK PIN	3							1
30	1	129150-23611	BEARING, 0.25 US	3							2
32	1	129005-22900	PISTON ASSY, 0.25 OS	3							3
34	2	129005-22950	RING SET, 0.25 OS	3							3

Remarks

- (1)REPAIR PART.
- (2)UNDER SIZED(U.S.=0.25)PART.
- (3)OVER SIZED(O.S.=0.25)PART.

Fig.9. LUB.OIL SYSTEM



(A)=3TNV88-BDFW

(B)=

(C)=

(D)=

(E)=

(F)=

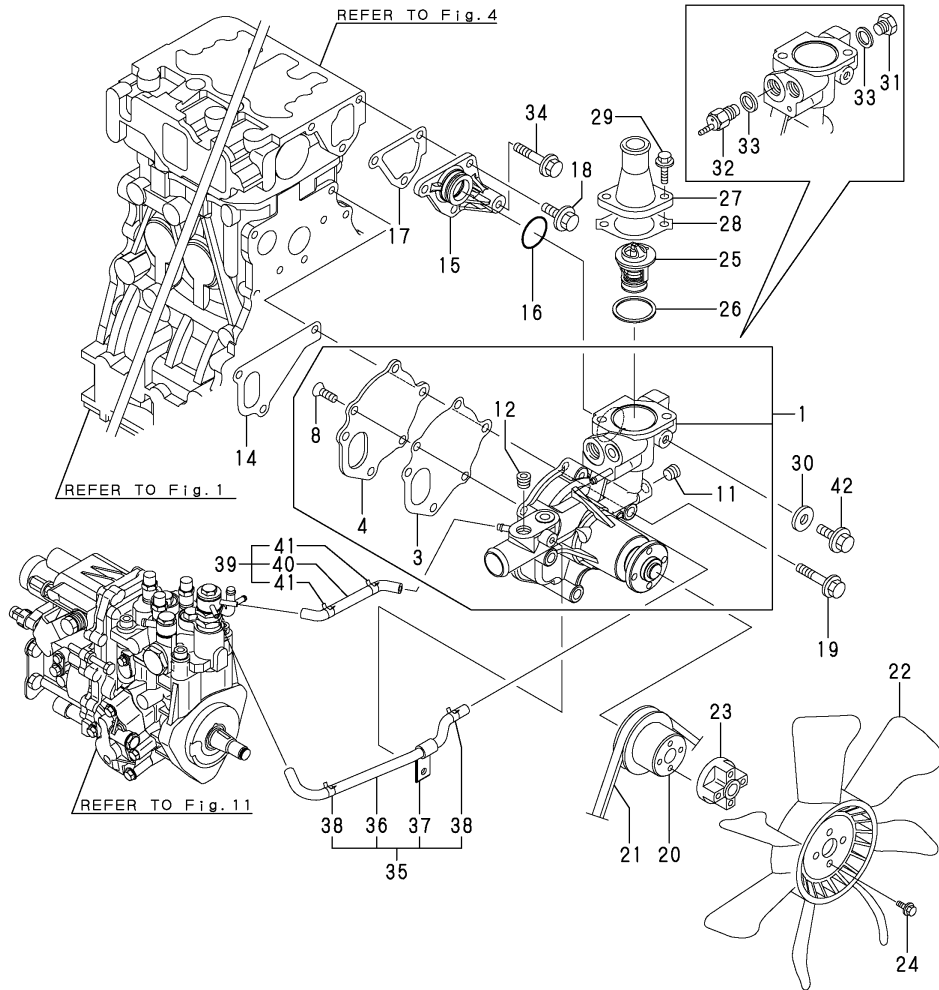
No.	Lev.	Parts No.	Description	Q'ty						I	R
				(A)	(B)	(C)	(D)	(E)	(F)		
1	1	119560-34810	DIPSTICK, OIL	1							
2	1	119260-34810	GUIDE, DIPSTICK	1							
3	1	129238-34860	GUIDE, DIPSTICK	1							
4	1	24311-240100	O-RING, 1AP10A	1							
5	1	26106-080252	BOLT, M8X 25 PLATED	1							
6	1	129150-35042	GASKET	1							
7	1	129150-35091	PIPE ASSY, OIL INLET	1							
8	1	129150-35170	FILTER, LO	1							1
9	1	129103-49301	ELBOW, PT1/4	1							
10	1	26106-080202	BOLT, M8X 20 PLATED	3							
11	1	26106-080352	BOLT, M8X 35 PLATED	2							
12	1	114250-39450	SWITCH, 0.5KG	1							
13	1	124160-39140	BOLT, PIPE JOINT M10	1							
14	1	119802-39450	PIPE ASSY, OIL	1							
15	1	129005-59830	BOLT ASSY, JOINT M8	1							
16	2	23857-030000	BOLT, JOINT 3	1							
17	2	22190-080002	WASHER, SEAL 6	1							
18	1	22190-080002	WASHER, SEAL 6	1							
19	1	22190-100002	WASHER, SEAL 10	2							
20	1	26366-060002	NUT, M6	1							
21	1	129508-33010	COOLER ASSY, OIL	1							
21A	2	129508-33050	O-RING	1							
22	1	129417-33110	NUT	1							
23	1	129006-35100	BRACKET ASSY, FILTER	1							
24	2	119802-35110	BRACKET, FILTER	1							
25	2	129417-35150	STUD, L=67	1							
26	1	129150-35111	GASKET	1							
27	1	129122-44480	JOINT	1							
28	1	129508-49030	PIPE ASSY, WATER	1							
29	2	171008-03990	CLIP, HOSE 18.5	1							
31	2	23080-015000	CLAMP, 15	1							
32	1	129006-49040	PIPE ASSY, WATER	1							
33	2	129642-49180	TUBE, CORRUGATED	1							
35	2	23080-015000	CLAMP, 15	1							
36	2	171008-03990	CLIP, HOSE 18.5	1							
37	1	129001-32001	PUMP ASSY, OIL	1							
38	1	129150-32020	GASKET, PUMP	1							
39	1	26450-060252	BOLT, M6X 25	4							

Remarks

(1)REPAIR PART.

N:Old  $\xrightarrow{\text{Yes}}$  New, Q:Old  $\xrightarrow{\text{No}}$  New, R:Old  $\xrightarrow{\text{Yes}}$  New, S:Old  $\xrightarrow{\text{No}}$  New, W:Add, Z:Discontinued, F:Interchangeable by set, K:Q'ty Change

Fig.10. COOLING WATER SYSTEM



(A)=3TNV88-BDFW

(B)=

(C)=

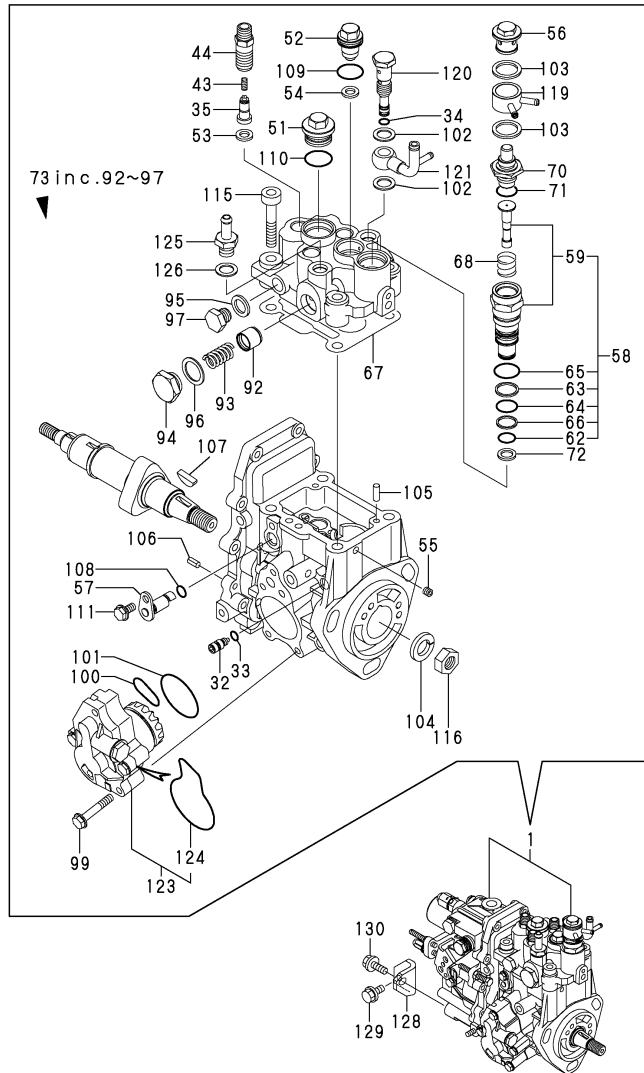
(D)=

(E)=

(F)=

No.	Lev.	Parts No.	Description	Q'ty						I	R
				(A)	(B)	(C)	(D)	(E)	(F)		
1	1	129004-42001	PUMP ASSY, WATER	1							
3	2	129100-42051	GASKET, WATER PUMP	1							
4	2	129100-42121	PLATE	1							
8	2	26577-060162	SCREW, M6X16	3							
11	2	23876-010000	PLUG, R01	1							
12	2	23876-020000	PLUG, R02	1							
14	1	129486-42021	GASKET, WATER PUMP	1							
15	1	129004-42040	JOINT	1							
16	1	129486-42140	O-RING, G30	1							
17	1	124395-49840	GASKET	1							
18	1	26106-080162	BOLT, M8X 16 PLATED	3							
19	1	26106-080602	BOLT, M8X 60 PLATED	3							
20	1	129155-42350	V-PULLEY	1							
21	1	25132-003800	V-BELT, A38	1							
22	1	121267-44741	FAN, COOLING D=360	1							
23	1	129030-44760	SPACER, FAN L38.5	1							
24	1	26106-060502	BOLT, M6X 50 PLATED	4							
25	1	129155-49801	THERMOSTAT, 71	1							
26	1	129150-49811	GASKET, THERMOSTAT	1							
27	1	129350-49560	COVER, THERMOSTAT	1							
28	1	129795-49551	GASKET	1							
29	1	26106-080202	BOLT, M8X 20 PLATED	2							
30	1	23414-080000	GASKET, 8X1.0	1							
31	1	121450-42450	PLUG, M16	1							
32	1	121250-44901	SWITCH, 110	1							
33	1	124465-44950	GASKET, 16	2							
34	1	26106-080452	BOLT, M8X 45 PLATED	1							
35	1	129004-49610	PIPE ASSY, WATER	1							
36	2	129004-49711	PIPE ASSY, WATER	1							
37	2	119802-49730	RETAINER, PIPE	1							
38	2	124722-59050	CLIP, HOSE 9	2							
39	1	129004-49620	PIPE ASSY, WATER	1							
40	2	129004-49721	PIPE ASSY, WATER	1							
41	2	124722-59050	CLIP, HOSE 9	2							
42	1	26106-080122	BOLT, M8X 12 PLATED	1							

Fig.11. FUEL INJECTION PUMP



(A)=3TNV88-BDFW  
(B)=  
(C)=

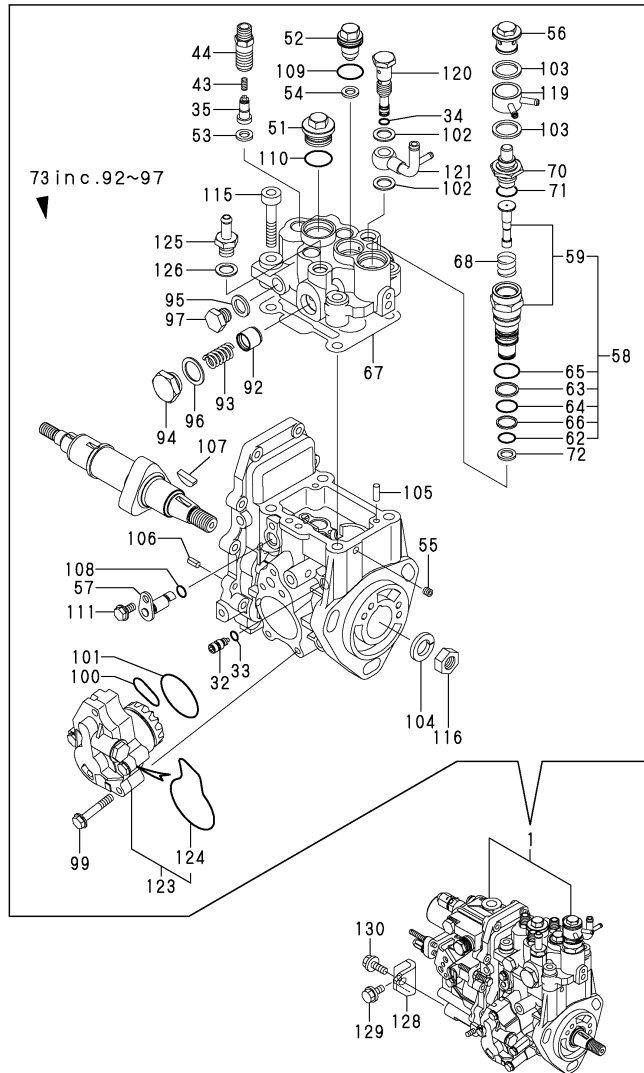
(D)=  
(E)=  
(F)=

No.	Lev.	Parts No.	Description	Q'ty						I	R
				(A)	(B)	(C)	(D)	(E)	(F)		
1	1	729538-51300	PUMP ASSY, INJECTION	1							1
1-1	1	729538-51301	PUMP ASSY, INJECTION	1							N 1
		(A=E,XXX)									
1-2	1	729538-51320	PUMP ASSY, INJECTION	1							S 2
		(A=E_A6521)									
32	3	158600-51270	STOPPER, TAPPET	1							
33	3	158563-51281	O-RING, 4D S6	1							
34	3	158563-51281	O-RING, 4D S6	1							
35	3	129008-51300	VALVE ASSY, DELIVERY	3							
43	3	158563-51330	SPRING, DELIVERY	3							
44	3	129008-51340	HOLDER, DELIVERY	3							
51	3	158601-51550	PLUG	1							
52	3	119802-51560	PLUG, BARREL	1							
53	3	158552-51570	GASKET	3							
54	3	158552-51570	GASKET	1							
55	3	158557-51570	PLUG	1							
56	3	158601-51570	PLUG	1							
57	3	158552-51580	LIFTER	1							
58	3	119802-51590	TIMER SET	1							
59	4	119802-51600	TIMER ASSY	1							
62	4	158553-51670	O-RING, 1011	1							
63	4	119802-51680	RING, BACK UP	1							
64	4	119802-51690	O-RING	1							
65	4	24356-010200	O-RING, 4D1020	1							
66	4	24372-000150	RING, BACK UP T2P15	1							
67	3	158552-51600	GASKET	1							
68	3	158553-51630	SPRING, TIMER	1							
70	3	158553-51640	ELEMENT	1							
71	3	158553-51660	O-RING, P14	1							
72	3	158553-51680	GASKET	1							
73	3	129008-51740	HEAD ASSY	1							
92	4	158601-51770	PISTON	1							
93	4	158552-51781	SPRING	1							
94	4	158601-51790	PLUG	1							
95	4	22190-120002	WASHER, SEAL 12	1							
96	4	22190-180002	WASHER, SEAL 18	1							
97	4	23887-120002	PLUG, 12	1							
99	3	158553-51770	BOLT	4							
100	3	158552-52310	O-RING	1							
101	3	158552-52400	O-RING, 4E S42	1							
102	3	22190-120002	WASHER, SEAL 12	2							
103	3	22190-180002	WASHER, SEAL 18	2							
104	3	22217-140000	WASHER, SPRING 14	1							
105	3	22312-050140	PIN, PARALLEL M5X14	2							
106	3	22351-050010	PIN, SPRING 5.0X10	2							
107	3	119802-51090	KEY, 4X16	1							
108	3	24311-000070	O-RING, 1AP7.0	1							
109	3	24356-010180	O-RING, 4D1018	1							
110	3	24356-010200	O-RING, 4D1020	1							
111	3	26106-060102	BOLT, M6X 10 PLATED	1							
115	3	26450-080452	BOLT, M8X 45	4							

Remarks

(1) GOVERNOR ASSY(FIG.12) IS INCORPORATED IN THIS FUEL INJECTION PUMP.(REF.NO.1).  
(2) REF.NO.1-2 & FIG.NO.13 REF.NO.1-1 INTERCHANGEABLE BY SET.

Fig.11. FUEL INJECTION PUMP



(A)=3TNV88-BDFW  
(B)=  
(C)=

(D)=  
(E)=  
(F)=

No.	Lev.	Parts No.	Description	Q'ty						I	R
				(A)	(B)	(C)	(D)	(E)	(F)		
116	3	26776-140002	NUT, LOCK M14	1							
119	2	158553-51551	JOINT	1							
120	2	158601-51650	JOINT, OVER FLOW	1							
121	2	158552-51670	JOINT, OVER FLOW	1							
123	2	158552-52100	PUMP ASSY, FUEL FEED	1							
124	3	158552-52500	O-RING	1							
125	2	119934-59910	JOINT, PIPE	1							
126	2	22190-120002	WASHER, SEAL 12	1							
128	1	119802-51250	RETAINER, PUMP	1							
129	1	26106-080162	BOLT, M8X 16 PLATED	1							
130	1	26106-080202	BOLT, M8X 20 PLATED	1							

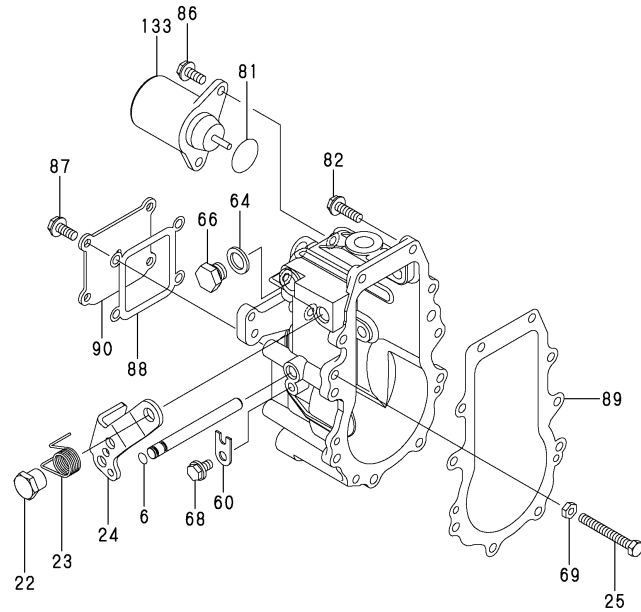
Remarks

(1) GOVERNOR ASSY(FIG.12) IS INCORPORATED IN THIS FUEL INJECTION PUMP.(REF.NO.1).  
(2) REF.NO.1-2 & FIG.NO.13 REF.NO.1-1 INTERCHANGEABLE BY SET.

Fig.12. GOVERNOR

(A)=3TNV88-BDFW  
(B)=  
(C)=

(D)=  
(E)=  
(F)=



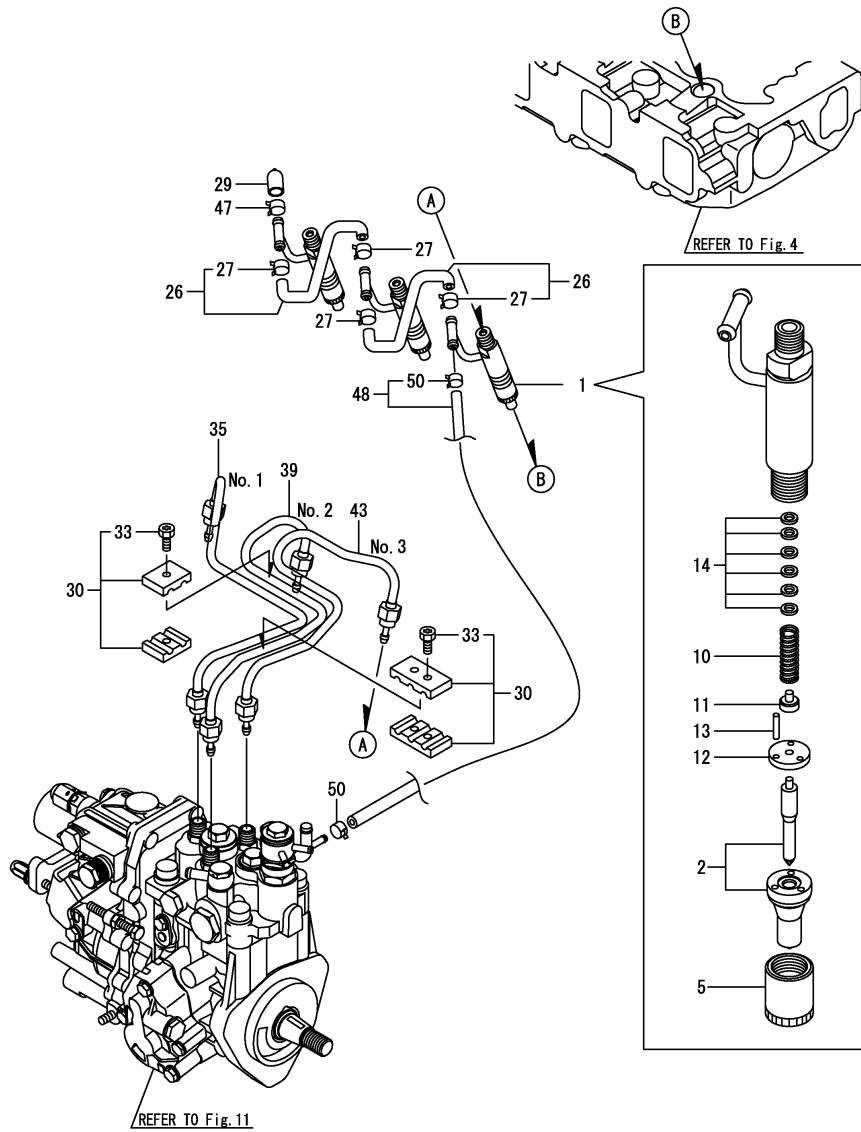
No.	Lev.	Parts No.	Description	Q'ty						I	R
				(A)	(B)	(C)	(D)	(E)	(F)		
6	4	129155-51280	O-RING, S6	1							
22	4	129255-61410	NUT, LOCK	1							
23	4	119807-61420	SPRING, RETURN	1							
24	4	158552-61441	LEVER, REGULATOR	1							
25	4	129155-61460	BOLT, IDLE	1							
60	4	119660-61901	RETAINER, SHAFT	1							
64	4	22190-120000	WASHER, SEAL 12	1							
66	4	23887-120002	PLUG, 12	1							
68	4	26106-060102	BOLT, M6X 10 PLATED	1							
69	4	26756-060002	NUT, LOCK M6	1							
81	3	158552-61900	O-RING	1							
82	3	26106-060202	BOLT, M6X 20 PLATED	10							
86	3	26106-060142	BOLT, M6X 14 PLATED	2							
87	3	26106-060142	BOLT, M6X 14 PLATED	4							
88	3	158553-61070	GASKET	1							
89	3	158553-61050	GASKET	1							
90	2	129642-61060	COVER, GOVERNOR CASE	1							
133	2	119233-77932	SOLENOID, STOP	1							

Remarks

\* THIS FIGURE(GOVERNOR ASSY)IS INCORPORATED IN THE FUEL INJECTION PUMP ASSY(FIG.11).



Fig.13. FUEL INJECTION VALVE



(A)=3TNV88-BDFW  
(B)=  
(C)=

(D)=  
(E)=  
(F)=

No.	Lev.	Parts No.	Description	Q'ty						I	R
				(A)	(B)	(C)	(D)	(E)	(F)		
1	1	729604-53200	VALVE ASSY,INJECTION	3							
1-1	1	729604-53400	VALVE ASSY,INJECTION	3							S 1
(A=E_A6521)											
2	2	129604-53000	VALVE ASSY,INJECTION	3							
2-1	2	129604-53300	VALVE ASSY,INJECTION	3							S
(A=E_A6521)											
5	2	114250-53080	NUT, NOZZLE D16.95	3							
10	2	114250-53120	SPRING, NOZZLE	3							
11	2	114250-53130	SEAT, SPRING	3							
12	2	114250-53140	PLATE	3							
13	2	114250-53210	PIN	6							
14	2	119803-53400	SHIM SET	3							
26	1	129486-59551	PIPE ASSY, RETURN	2							
27	2	124722-59050	CLIP, HOSE 9	4							
29	1	119593-59581	CAP	1							
30	1	129150-59120	RETAINER, PIPE	2							
33	2	129150-59131	BOLT, M4X14	4							
35	1	129004-59811	PIPE ASSY, INJECTION	1							
39	1	129004-59821	PIPE ASSY, INJECTION	1							
43	1	129004-59831	PIPE ASSY, INJECTION	1							
47	1	124060-77680	CLIP, HOSE 10	1							
48	1	119802-59550	PIPE ASSY, RETURN	1							
50	2	124722-59050	CLIP, HOSE 9	2							

Remarks

(1) REF.NO.1-1 & FIG.NO.11 REF.NO.1-2  
INTERCHANGEABLE BY SET.

Fig.14. STARTING MOTOR

(A)=3TNV88-BDFW

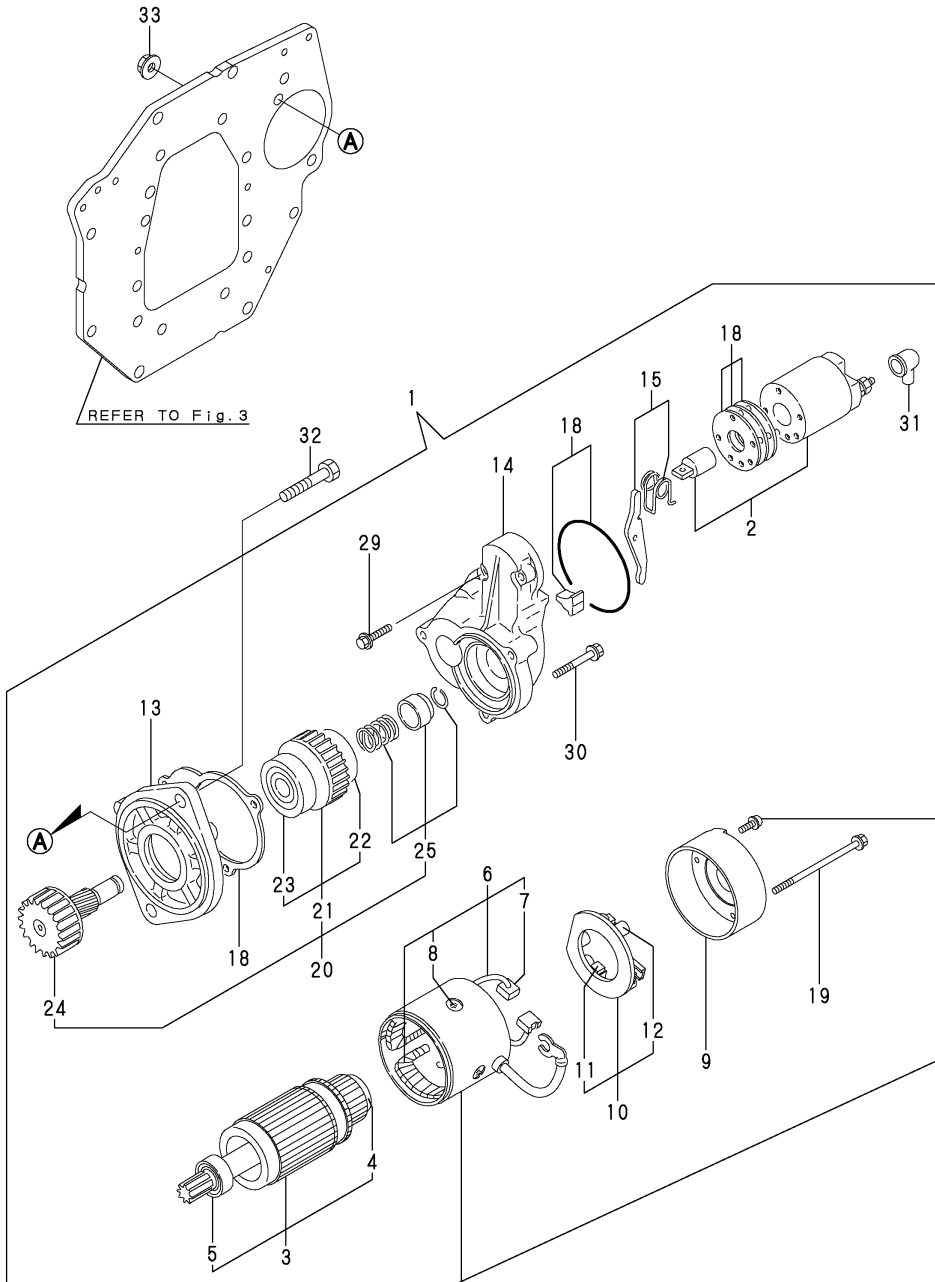
(B)=

(C)=

(D)=

(E)=

(F)=

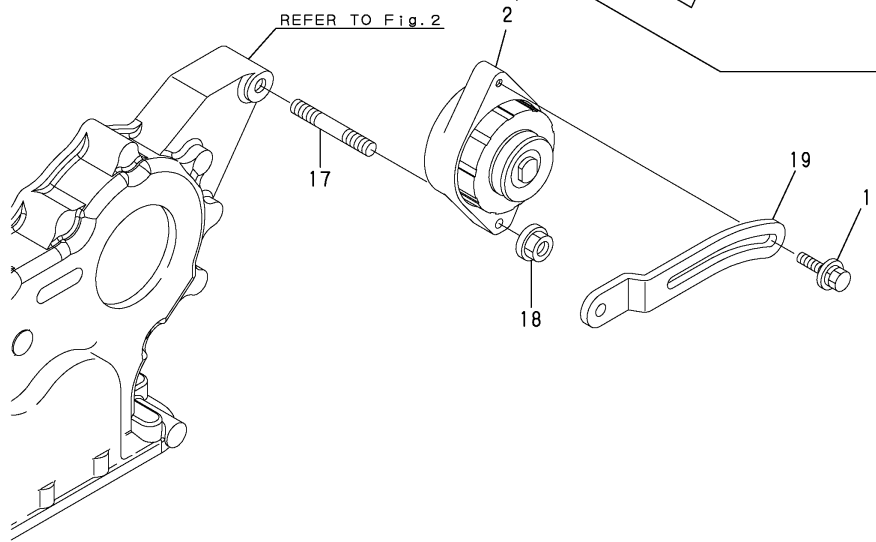
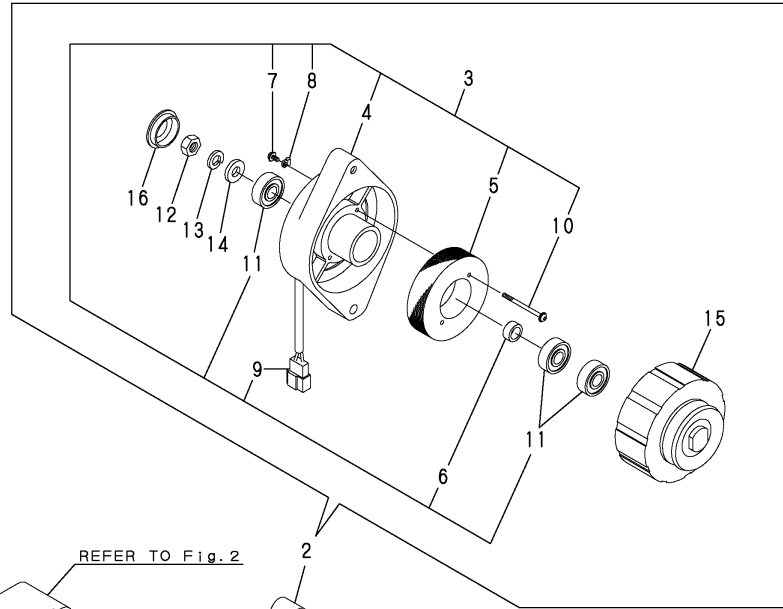


No.	Lev.	Parts No.	Description	Q'ty						I	R
				(A)	(B)	(C)	(D)	(E)	(F)		
1	1	129136-77011	STARTER	1							
2	2	129136-77310	SWITCH ASSY	1							
3	2	129900-77400	ARMATURE ASSY	1							
4	3	X2130350900	BEARING, BALL	1							
5	3	X2114255110	BEARING, BALL	1							
6	2	129900-77440	COIL ASSY, FIELD	1							
7	3	129900-77450	BRUSH	2							
8	3	171008-77450	SCREW	4							
9	2	129900-77460	COVER	1							
10	2	129900-77480	HOLDER ASSY, BRUSH	1							
11	3	129900-77450	BRUSH	2							
12	3	129400-77490	SPRING	4							
13	2	171008-77510	CASE, GEAR	1							
14	2	129136-77520	HOUSING	1							
15	2	171008-77540	LEVER SET	1							
18	2	129400-77571	COVER ASSY, DUST	1							
19	2	129900-77640	BOLT, THROUGH	2							
20	2	171008-77650	PINION ASSY	1							
21	3	X2114555500	CLUTCH ASSY	1							
22	4	X2114955020	BEARING, BALL	1							
23	4	X2240410100	BEARING, BALL	1							
24	3	171008-77660	SHAFT	1							
25	3	171008-77670	STOPPER SET	1							
29	2	26106-060322	BOLT, M6X 32 PLATED	2							
30	2	26106-060402	BOLT, M6X 40 PLATED	3							
31	2	171008-77750	COVER	1							
32	1	26116-120252	BOLT, M12X 25 PLATED	1							
33	1	26366-120002	NUT, M12	1							

Fig.15. GENERATOR

(A)=3TNV88-BDFW  
(B)=  
(C)=

(D)=  
(E)=  
(F)=

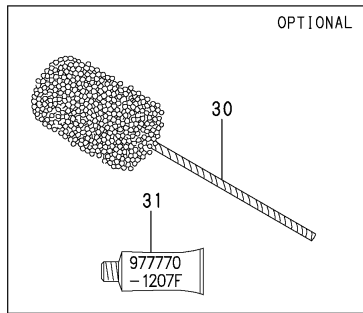
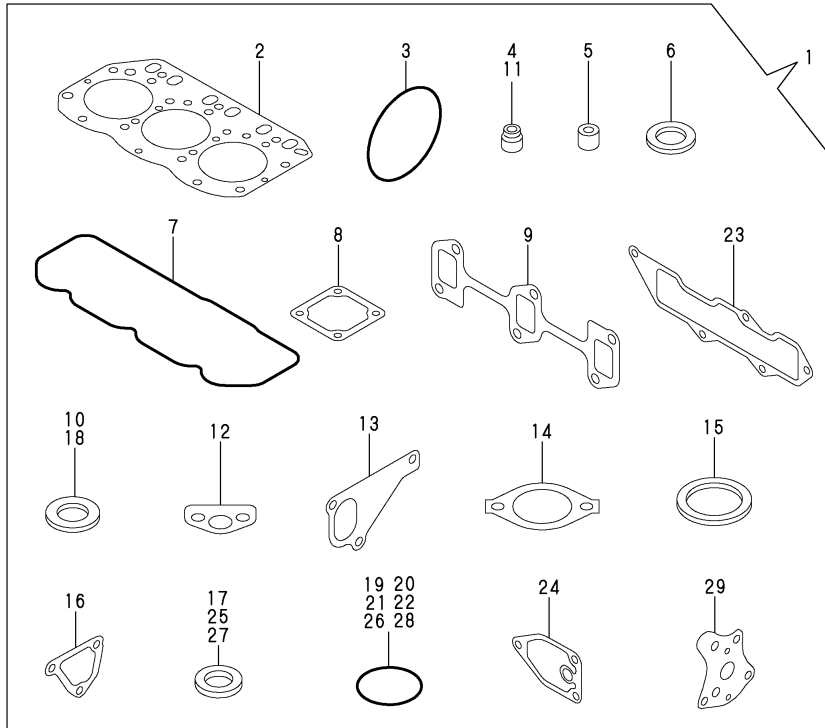


No.	Lev.	Parts No.	Description	Q'ty						I	R
				(A)	(B)	(C)	(D)	(E)	(F)		
1	1	119810-77340	BOLT, ADJUSTER	1							
2	1	119910-77200	DYNAMO ASSY	1							
3	2	X2A10592KA	PLATE ASSY	1							
4	3	X2A07075KB	PLATE, COIL	1							
5	3	X3A02982KC	STATOR ASSY	1							
6	3	X4A10092KA	COLLAR	1							
7	3	XYSPS400800	SCREW	1							
8	3	XM069000000	CLAMP	1							
9	3	XM771860000	COUPLER	1							
10	3	119259-77250	SCREW	2							
11	3	24104-062010	BEARING, 6201UUC3	3							
12	2	XM863720000	NUT	1							
13	2	XM219230000	WASHER	1							
14	2	XM860250000	WASHER	1							
15	2	X3A08863KA	FLYWHEEL ASSY	1							
16	2	XM771870000	CAP	1							
17	1	129795-01900	STUD	1							
18	1	26306-100002	NUT, M10	1							
19	1	129004-77320	ADJUSTER	1							

Fig.16. GASKET SET & TOOLS

(A)=3TNV88-BDFW  
(B)=  
(C)=

(D)=  
(E)=  
(F)=



No.	Lev.	Parts No.	Description	Q'ty						I	R
				(A)	(B)	(C)	(D)	(E)	(F)		
1	1	729150-92990	GASKET SET	1							1
2	2	129001-01340	GASKET, HEAD	1							
3	2	121850-51960	O-RING	1							
4	2	124460-11340	SEAL, VALVE STEM	3							
5	2	119802-11870	PROTECTOR, NOZZLE	3							
6	2	119625-11880	SEAT, NOZZLE	3							
7	2	129004-11310	GASKET, BONNET	1							
8	2	129150-77511	GASKET	1							
9	2	129150-13110	GASKET	1							
10	2	23414-080000	GASKET, 8X1.0	1							
11	2	121400-11340	SEAL, VALVE STEM	3							
12	2	129150-35042	GASKET	1							
13	2	129486-42021	GASKET, WATER PUMP	1							
14	2	129795-49551	GASKET	1							
15	2	129150-49811	GASKET, THERMOSTAT	1							
16	2	124395-49840	GASKET	1							
17	2	22190-080002	WASHER, SEAL 6	2							
18	2	124465-44950	GASKET, 16	2							
19	2	24311-000120	O-RING, 1AP12.0	3							
20	2	24311-000320	O-RING, 1AP32.0	2							
21	2	24341-000240	O-RING, 1AS24.0	1							
22	2	129486-42140	O-RING, G30	1							
23	2	129001-12110	GASKET, MANIFOLD	1							
24	2	129150-35111	GASKET	1							
25	2	22190-160002	WASHER, SEAL 16	1							
26	2	119609-32040	O-RING, P16	2							
27	2	22190-100002	WASHER, SEAL 10	2							
28	2	24311-240100	O-RING, 1AP10A	1							
29	2	129150-32020	GASKET, PUMP	1							
30	1	129400-92430	HONE	1							1
31	1	977770-1207F	GASKET.LIQUID	1							1

Remarks  
(1)OPTIONAL

## Parts No. Index

Parts No.	Fig. No.	Ref. No.
105425-01690	3	8
114250-39450	9	12
114250-53080	13	5
114250-53120	13	10
114250-53130	13	11
114250-53140	13	12
114250-53210	13	13
119131-18320	6	3
119233-77932	12	133
119259-77250	15	10
119260-34810	9	2
119560-34810	9	1
119593-59581	13	29
119609-32040	2	10
	16	26
119625-11880	4	30
	16	6
119660-61901	12	60
119802-01561	2	6
119802-03110	4	41
119802-03121	4	42
119802-03130	4	43
119802-03141	4	44
119802-11260	4	6
119802-11270	4	7
119802-11280	4	8
119802-11870	4	52
	16	5
119802-25071	7	14
119802-25101	7	11
119802-25901	7	17
119802-35110	9	24
119802-39450	9	14
119802-49730	10	37
119802-51090	11	107
119802-51250	11	128
119802-51560	11	52
119802-51590	11	58
119802-51600	11	59
119802-51680	11	63
119802-51690	11	64
119802-59550	13	48
119803-01520	2	5
119803-25050	7	10
119803-53400	13	14
119803-77520	5	7
119803-77830	4	53
119807-61420	12	23
119810-77340	15	1
119865-21600	8	14

Parts No.	Fig. No.	Ref. No.
119910-77200	15	2
119934-01800	2	4
119934-59910	11	125
120130-11860	4	19
120270-54410	4	32
121023-01551	2	17
121027-11743	2	23
121111-21501	8	11
121250-44901	10	32
121267-44741	10	22
121400-11340	4	27
	16	11
121450-42450	10	31
121550-23200	8	27
121850-21680	8	10
121850-51960	2	11
	16	3
123900-13610	6	5
123900-13630	6	4
124060-01050	1	5
124060-77680	13	47
124160-01751	2	7
	4	37
124160-01910	1	7
		8
124160-11360	4	49
124160-39140	9	13
124240-01871	2	8
124395-49840	10	17
	16	16
124460-11340	4	28
	16	4
124465-44950	10	33
	16	18
124722-59050	10	38
		41
	13	27
		50
129001-01250	1	6
129001-01340	1	33
	16	2
129001-02931	1	25
129001-12110	5	4
	16	23
129001-32001	9	37
129001-91841	2	12
	3	13
129001-91910	3	15
129004-01190	1	31
129004-03010	4	39

Parts No.	Fig. No.	Ref. No.
129004-03080	5	1
129004-11241	4	3
129004-11251	4	4
129004-11310	4	46
	16	7
129004-11350	4	38
129004-11650	4	10
129004-11900	4	31
129004-12100	5	3
129004-42001	10	1
129004-42040	10	15
129004-49610	10	35
129004-49620	10	39
129004-49711	10	36
129004-49721	10	40
129004-59811	13	35
129004-59821	13	39
129004-59831	13	43
129004-77320	15	19
129005-11100	4	23
129005-21650	8	8
129005-22080	8	15
129005-22500	8	17
129005-22900	8	32
129005-22950	8	34
129005-59830	9	15
129006-35100	9	23
129006-49040	9	32
129008-11710	4	15
129008-21000	8	1
129008-51300	11	35
129008-51340	11	44
129008-51740	11	73
129008-77800	4	54
129008-77820	4	55
129030-01550	3	7
129030-01610	3	3
129030-01720	3	9
129030-01770	3	6
129030-44760	10	23
129100-01580	3	1
		19
	8	2
129100-01640	3	16
129100-11112	4	24
129100-13110	6	1
129100-23910	8	26
129100-42051	10	3
129100-42121	10	4
129103-49301	9	9

Parts No.	Fig. No.	Ref. No.
129122-44480	9	27
129129-01600	3	2
129129-14580	7	3
129136-77011	14	1
129136-77310	14	2
129136-77520	14	14
129150-01200	1	32
129150-01650	3	17
129150-02020	1	10
129150-02450	7	4
129150-02871	1	34
129150-02931	1	28
129150-02941	1	37
129150-03070	4	40
129150-11230	4	11
129150-11280	4	9
129150-11370	4	14
129150-11750	4	13
129150-11810	4	20
129150-13110	6	2
	16	9
129150-14101	7	7
129150-14200	7	1
129150-14400	7	2
129150-23601	8	28
129150-23611	8	30
129150-25301	7	16
129150-32020	9	38
	16	29
129150-35042	9	6
	16	12
129150-35091	9	7
129150-35111	9	26
	16	24
129150-35170	9	8
129150-49811	10	26
	16	15
129150-59120	13	30
129150-59131	13	33
129150-77511	5	8
	16	8
129155-42350	10	20
129155-49801	10	25
129155-51280	12	6
129155-61460	12	25
129202-22300	8	21
129238-34860	9	3
129240-21590	8	12
129255-61410	12	22
129350-49560	10	27

## Parts No. Index

Parts No.	Fig. No.	Ref. No.
129400-77490	14	12
129400-77571	14	18
129400-92430	16	30
129410-03990	5	2
129417-33110	9	22
129417-35150	9	25
129486-01670	3	20
129486-42021	10	14
	16	13
129486-42140	10	16
	16	22
129486-59551	13	26
129508-33010	9	21
129508-33050	9	21 A
129508-49030	9	28
129604-53000	13	2
129604-53300	13	2 -1
129642-49180	9	33
129642-61060	12	90
129795-01780	3	18
129795-01900	15	17
129795-01950	2	9
129795-02412	1	13
129795-11120	4	25
129795-11180	4	26
129795-21661	8	9
129795-49551	10	28
	16	14
129900-07900	4	1
129900-77400	14	3
129900-77440	14	6
129900-77450	14	7
		11
129900-77460	14	9
129900-77480	14	10
129900-77640	14	19
158552-51151	7	18
158552-51570	11	53
		54
158552-51580	11	57
158552-51600	11	67
158552-51670	11	121
158552-51781	11	93
158552-52100	11	123
158552-52310	11	100
158552-52400	11	101
158552-52500	11	124
158552-61441	12	24
158552-61900	12	81
158553-51551	11	119

Parts No.	Fig. No.	Ref. No.
158553-51630	11	68
158553-51640	11	70
158553-51660	11	71
158553-51670	11	62
158553-51680	11	72
158553-51770	11	99
158553-61050	12	89
158553-61070	12	88
158557-51570	11	55
158563-51281	11	33
		34
158563-51330	11	43
158600-51270	11	32
158601-51550	11	51
158601-51570	11	56
158601-51650	11	120
158601-51770	11	92
158601-51790	11	94
171008-03990	9	29
		36
171008-77450	14	8
171008-77510	14	13
171008-77540	14	15
171008-77650	14	20
171008-77660	14	24
171008-77670	14	25
171008-77750	14	31
171051-01921	1	9
22190-080002	2	21
	9	17
		18
	16	17
22190-100002	9	19
	16	27
22190-120000	12	64
22190-120002	11	95
		102
		126
22190-160002	3	10
	16	25
22190-180002	11	96
		103
22217-140000	7	19
	11	104
22252-000260	8	22
22312-050140	11	105
22351-030010	8	7
22351-050010	11	106
22351-060012	4	33
22512-070140	7	8

Parts No.	Fig. No.	Ref. No.
22857-500100	4	47
		48
23080-015000	9	31
		35
23414-080000	10	30
	16	10
23857-030000	9	16
23876-010000	10	11
23876-020000	10	12
23887-120002	11	97
	12	66
24104-062010	15	11
24311-000070	11	108
24311-000120	4	50
	16	19
24311-000320	2	13
		24
	4	51
	16	20
24311-240100	9	4
	16	28
24341-000240	2	18
	16	21
24356-010180	11	109
24356-010200	11	65
		110
24372-000150	11	66
25132-003800	10	21
26106-060102	11	111
	12	68
26106-060142	12	86
		87
26106-060162	2	19
26106-060202	12	82
26106-060322	14	29
26106-060402	14	30
26106-060502	10	24
26106-080122	3	11
	10	42
26106-080142	7	9
26106-080162	2	14
		15
	4	2
	10	18
	11	129
26106-080202	5	5
		9
	9	10
	10	29
	11	130

Parts No.	Fig. No.	Ref. No.
26106-080252	3	12
	4	34
	9	5
26106-080302	2	22
26106-080352	4	35
	9	11
26106-080402	7	15
26106-080452	10	34
26106-080502	3	14
	4	36
26106-080552	2	16
26106-080602	10	19
26106-080802	5	6
		10
26116-120252	14	32
26206-100202	3	4
26206-100252	3	5
26306-080002	2	20
	6	6
26306-100002	15	18
26366-060002	9	20
26366-120002	14	33
26450-060252	9	39
26450-080452	11	115
26577-060162	10	8
26756-060002	12	69
26776-140002	7	20
	11	116
27241-120000	1	14
27241-300000	1	15
27241-400000	4	22
27310-080001	4	29
719803-01500	2	1
729005-01562	1	1
729150-92990	16	1
729402-23100	8	23
729538-51300	11	1
729538-51301	11	1 -1
729538-51320	11	1 -2
729604-53200	13	1
729604-53400	13	1 -1
977770-1207F	16	31
X2114255110	14	5
X2114555500	14	21
X2114955020	14	22
X2130350900	14	4
X2240410100	14	23
X2A07075KB	15	4
X2A10592KA	15	3
X3A02982KC	15	5

# Parts No. Index

Parts No.	Fig. No.	Ref. No.
X3A08863KA	15	15
X4A10092KA	15	6
XM069000000	15	8
XM219230000	15	13
XM771860000	15	9
XM771870000	15	16
XM860250000	15	14
XM863720000	15	12
XYSPS400800	15	7

Parts No.	Fig. No.	Ref. No.
-----------	----------	----------

Parts No.	Fig. No.	Ref. No.
-----------	----------	----------

Parts No.	Fig. No.	Ref. No.
-----------	----------	----------