

0CB10-M76100EN

Contents

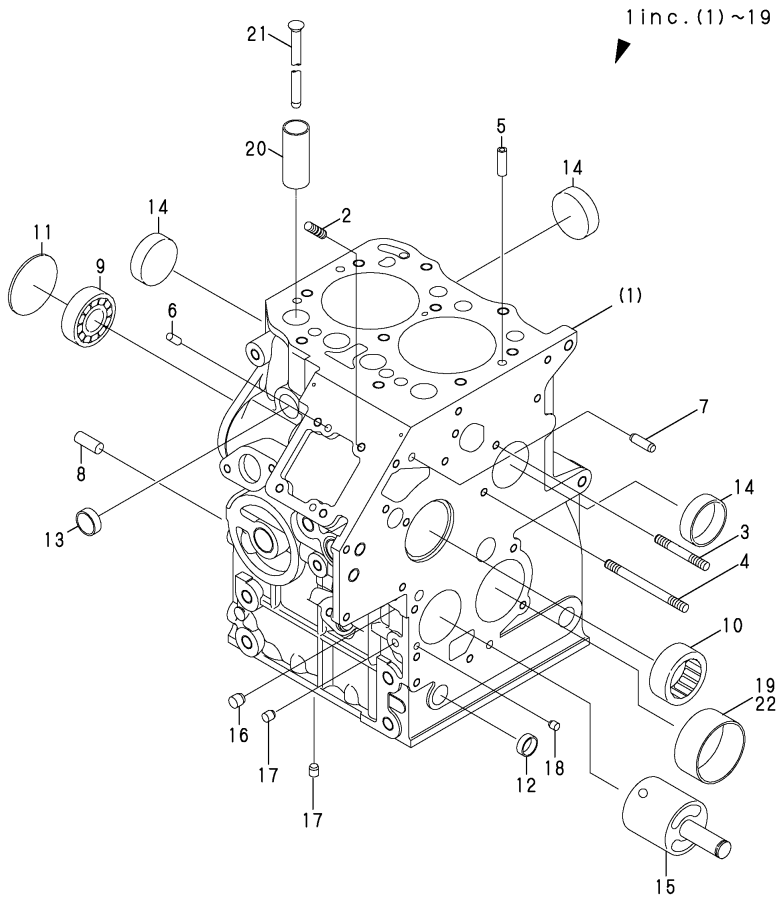
0CB10-M76100

Fig. No.	Fig. Name	Fig. No.	Fig. Name
ENGINE			
1.	CYLINDER BLOCK		
2.	GEAR HOUSING & GOVERNOR		
3.	OIL SUMP		
4.	ROCKER ARM		
5.	CYLINDER HEAD		
6.	CAMSHAFT		
7.	IDOL GEAR		
8.	CRANK SHAFT & PISTON		
9.	SOLENOID & GAUGE		
10.	WATER PUMP		
11.	INJECTION PUMP & INJECTOR		
12.	FUEL FILTER		
13.	STARTER MOTOR & FLYWHEEL		
14.	ALTERNATOR		
15.	GASKET SET		

Fig.1. CYLINDER BLOCK

(A)=2TE67L-BV3
(B)=
(C)=

(D)=
(E)=
(F)=

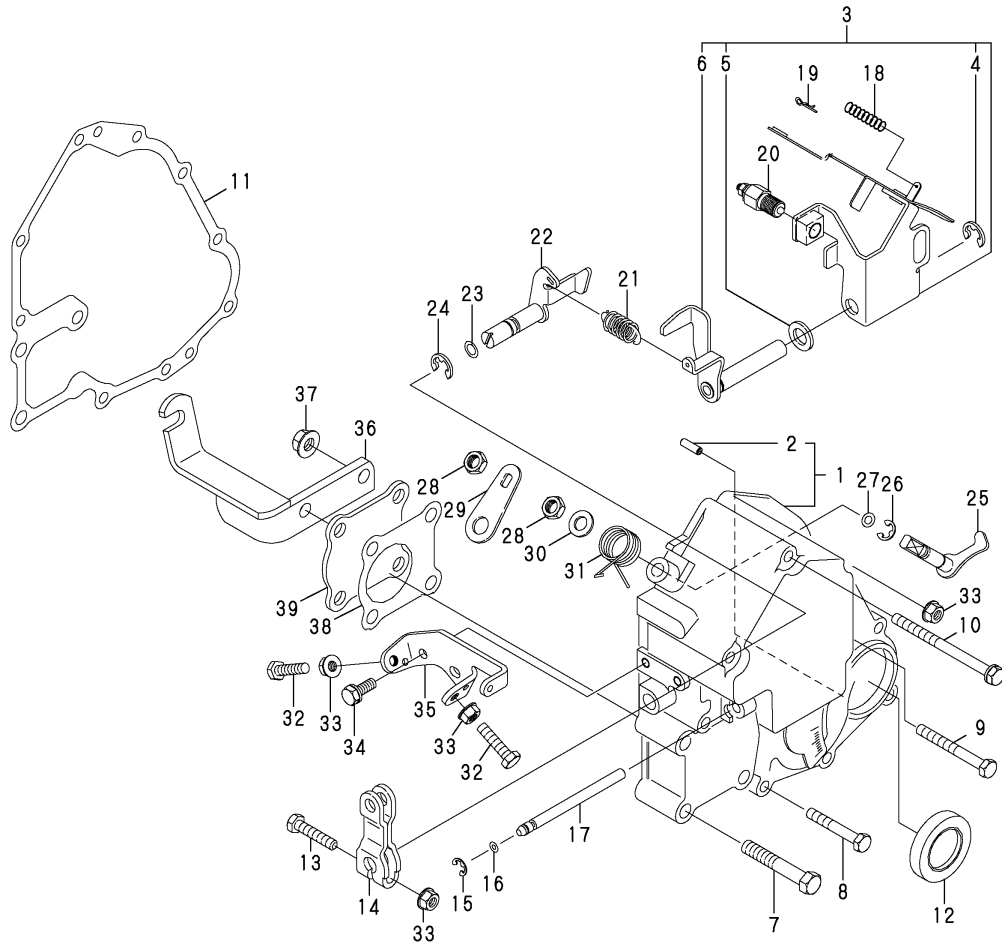


No.	Lev.	Parts No.	Description	Q'ty						I	R
				(A)	(B)	(C)	(D)	(E)	(F)		
1	1	165000-47460	CYLINDER BLOCK COMPL	1							
2	2	26216-060202	STUD, M6X 20	2							
3	2	165000-23220	STUD BOLT	1							
4	2	165000-14430	STUD BOLD	1							
5	2	165000-23270	SPRING PIN	2							
6	2	1W0305-00512	DOWEL PIN	2							
7	2	22312-060160	PIN, PARALLEL M6X16	2							
8	2	1W0305-00825	PIN,KNOCK	2							
9	2	24101-062034	BEARING, BALL 6203	1							
10	2	165000-23310	NEEDLE BEARING	1							
11	2	119623-01250	PLUG, DISH TYPE 45	1							
12	2	165000-14490	SEALING CAP	1							
13	2	165000-14500	SEALING CAP	1							
14	2	165000-14520	SEALING CAP	3							
15	2	165000-15540	IDLE GEAR SHAFT COMP	1							
16	2	165000-23340	BLANK PLUG	4							
17	2	165000-15790	BLANK PLUG	2							
18	2	165000-15780	BLANK PLUG	3							
19	2	165000-73630	BUSH	1							
20	1	165000-14920	TAPPET	4							
21	1	165000-47500	PUSH ROD COMPL	4							
22	1	165001-18980	BUSH;U.S.0.25	1							1

Remarks

(1)Under-sized(U.S.=0.25) parts.

Fig.2. GEAR HOUSING & GOVERNOR



(A)=2TE67L-BV3
(B)=
(C)=

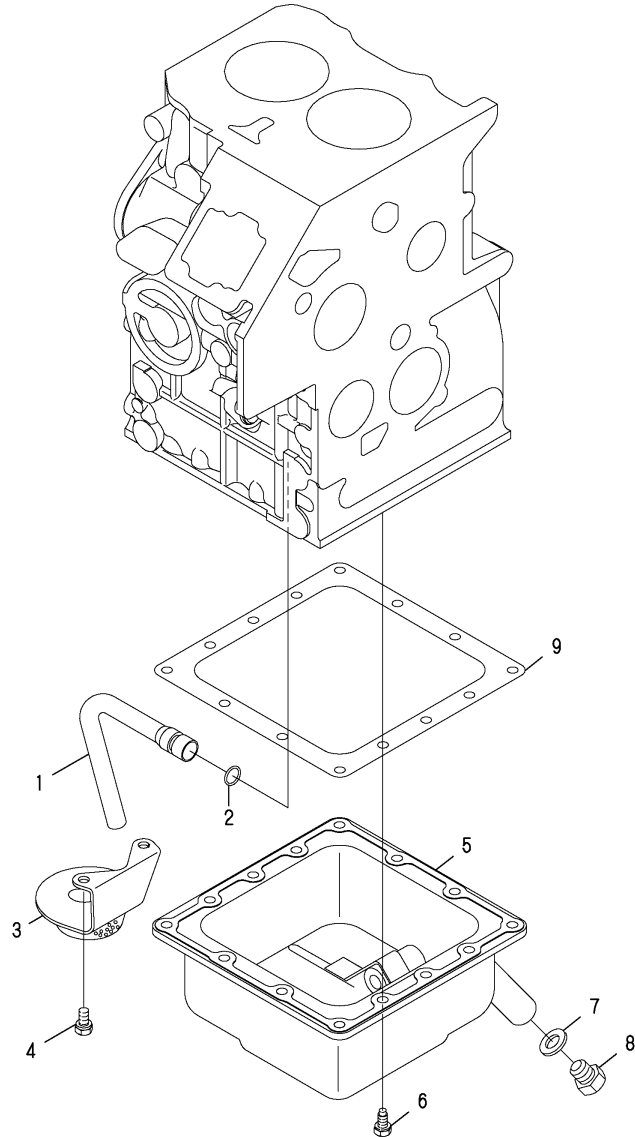
(D)=
(E)=
(F)=

No.	Lev.	Parts No.	Description	Q'ty						I	R
				(A)	(B)	(C)	(D)	(E)	(F)		
1	1	165000-15510	TIMING GEAR CASE COM	1							
2	2	1W0303-00414	PIN	1							
3	1	165001-28330	GOVERNOR LEVER CMP	1							
4	2	22272-000080	RING, E- 8	1							
5	2	22117-100000	WASHER, 10	1							
6	2	165000-15110	GOVERNOR LEVER ASSY	1							
7	1	26116-080552	BOLT, M8X 55 PLATED	4							
8	1	26013-060402	BOLT, SPRING M6X 40	4							
9	1	165000-14410	BOLT	2							
10	1	165000-14420	BOLT	2							
11	1	165000-15560	GASKET	1							
12	1	165000-15940	OIL SEAL	1							
13	1	1W0101-10630	BOLT	1							
14	1	165000-15120	GOVERNOR LEVER	1							
15	1	22272-000050	RING, E- 5	1							
16	1	165000-14450	O-RING	2							
17	1	165000-15060	SHAFT	1							
18	1	165000-47910	SPRING	1							
19	1	22372-040000	PIN, SNAP 4	1							
20	1	165001-28350	ANGLEICH CMP	1							
21	1	165000-47930	SPRING	1							
22	1	165000-15070	ARM COMPL	1							
23	1	165000-14470	O-RING	1							
24	1	22272-000080	RING, E- 8	1							
25	1	165000-15080	ARM COMPL	1							
26	1	22272-000060	RING, E- 6	1							
27	1	165000-14460	O-RING	1							
28	1	26756-080002	NUT, LOCK M8	2							
29	1	165000-15090	ATOP LEVER	1							
30	1	22117-080000	WASHER, 8	1							
31	1	165000-15680	SPRING	1							
32	1	165000-23170	BOLT	2							
33	1	26366-060002	NUT, M6	4							
34	1	1W0113-10614	BOLT	2							
35	1	165000-15130	ATAY	1							
36	1	165000-48470	STAY,CABLE SUPPORT	1							
37	1	26366-080002	NUT, M8	4							
38	1	165000-15530	COVER	1							
39	1	165000-15570	GASKET	1							

Fig.3. OIL SUMP

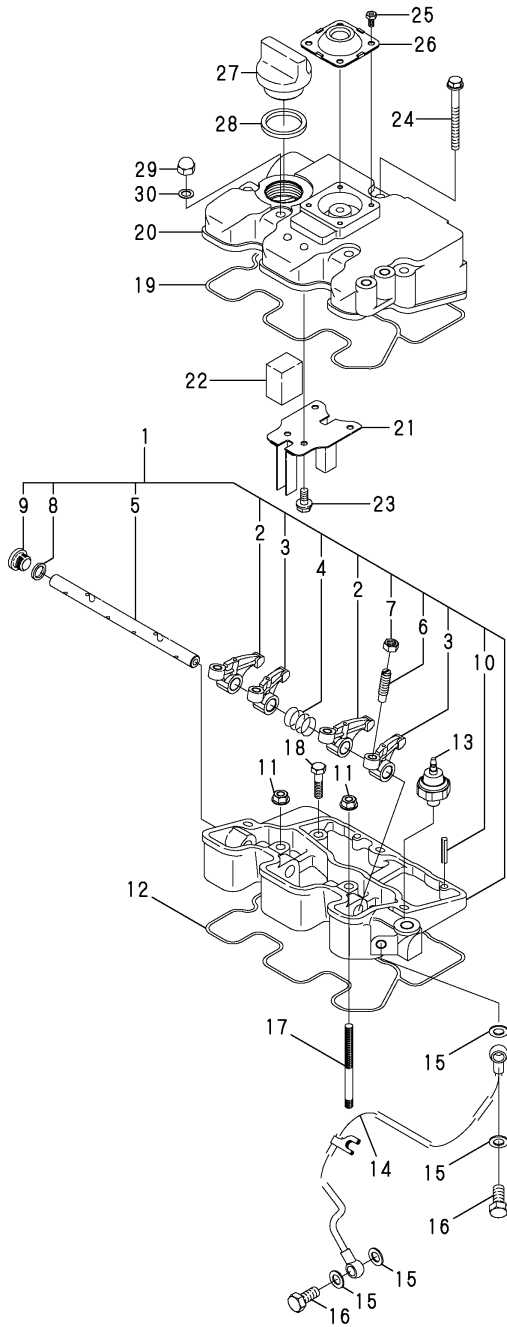
(A)=2TE67L-BV3
(B)=
(C)=

(D)=
(E)=
(F)=



No.	Lev.	Parts No.	Description	Q'ty						I	R
				(A)	(B)	(C)	(D)	(E)	(F)		
1	1	165000-47470	OIL PIPE	1							
2	1	1W0521-09076	O-RING 1A P-11.0	1							
3	1	165000-47480	SUCTION FILTER COMPL	1							
4	1	26013-060122	BOLT, SPRING M6X 12	2							
5	1	165000-47490	OIL PAN COMPL	1							
6	1	165000-23160	BOLT	14							
7	1	22190-120000	WASHER, SEAL 12	1							
8	1	1W0104-11212	BOLT	1							
9	1	165000-14670	GASKET	1							

Fig.4. ROCKER ARM



(A)=2TE67L-BV3
(B)=
(C)=

(D)=
(E)=
(F)=

No.	Lev.	Parts No.	Description	Q'ty						I	R
				(A)	(B)	(C)	(D)	(E)	(F)		
1	1	165000-49720	ROCKER ARM ASSY	1							
2	2	165000-47620	ROCKER ARM COMPL;EX	2							
3	2	165000-47630	ROCKER ARM COMPL;IN	2							
4	2	165000-47640	SPRING	1							
5	2	165000-47650	ROCKER ARM SHAFT	1							
6	2	165000-16010	SCREW	4							
7	2	165000-23240	NUT	4							
8	2	24311-000100	O-RING, 1AP10.0	1							
9	2	165000-47660	PLUG	1							
10	2	22351-010016	PIN, SPRING 1.0X16	2							
11	1	26366-060002	NUT, M6	2							
12	1	165000-47670	GASKET	1							
13	1	165000-15610	OIL PRESSURE SWITCH	1							
14	1	165000-47680	OIL PIPE COMPL	1							
15	1	165000-15400	GASKET;M8	4							
16	1	165000-15810	BOLT	2							
17	1	165000-48270	STUD BOLT	2							
18	1	26013-060252	BOLT, SPRING M6X 25	1							
19	1	165000-47700	GASKET	1							
20	1	165000-47710	HEAD COVER	1							
21	1	165000-47720	PLATE	1							
22	1	165000-47730	FILTER	1							
23	1	22857-400061	SCREW, 4X 6	4							
24	1	1W0113-10670	BOLT	3							
25	1	165000-48320	BOLT	4							
26	1	165000-47760	VALVE	1							
27	1	1W3984-30560	PLUG	1							
28	1	24311-000280	O-RING, 1AP28.0	1							
29	1	26657-060002	NUT, CAP M6	2							
30	1	165000-47780	GASKET;M6	2							

Fig.5. CYLINDER HEAD

(A)=2TE67L-BV3

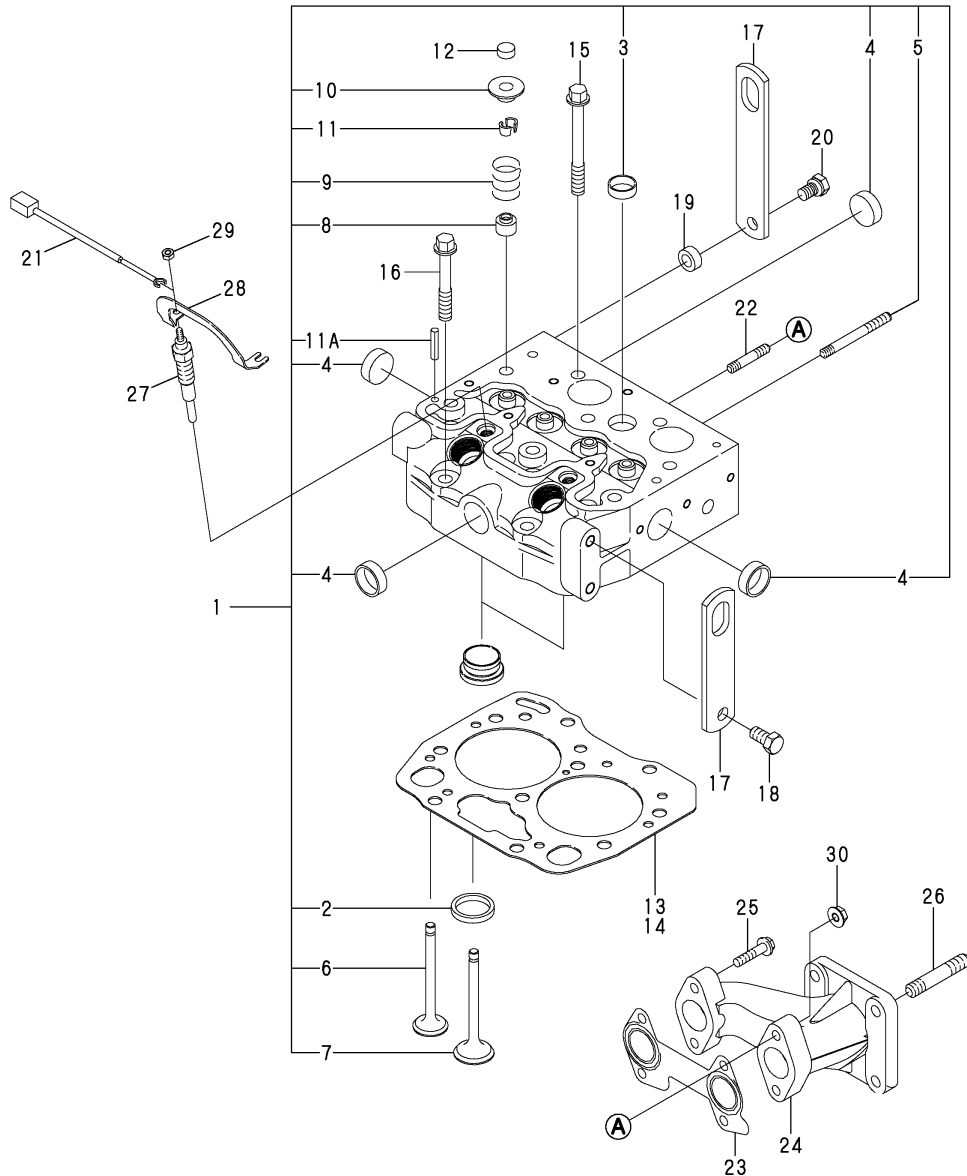
(B)=

(C)=

(D)=

(E)=

(F)=

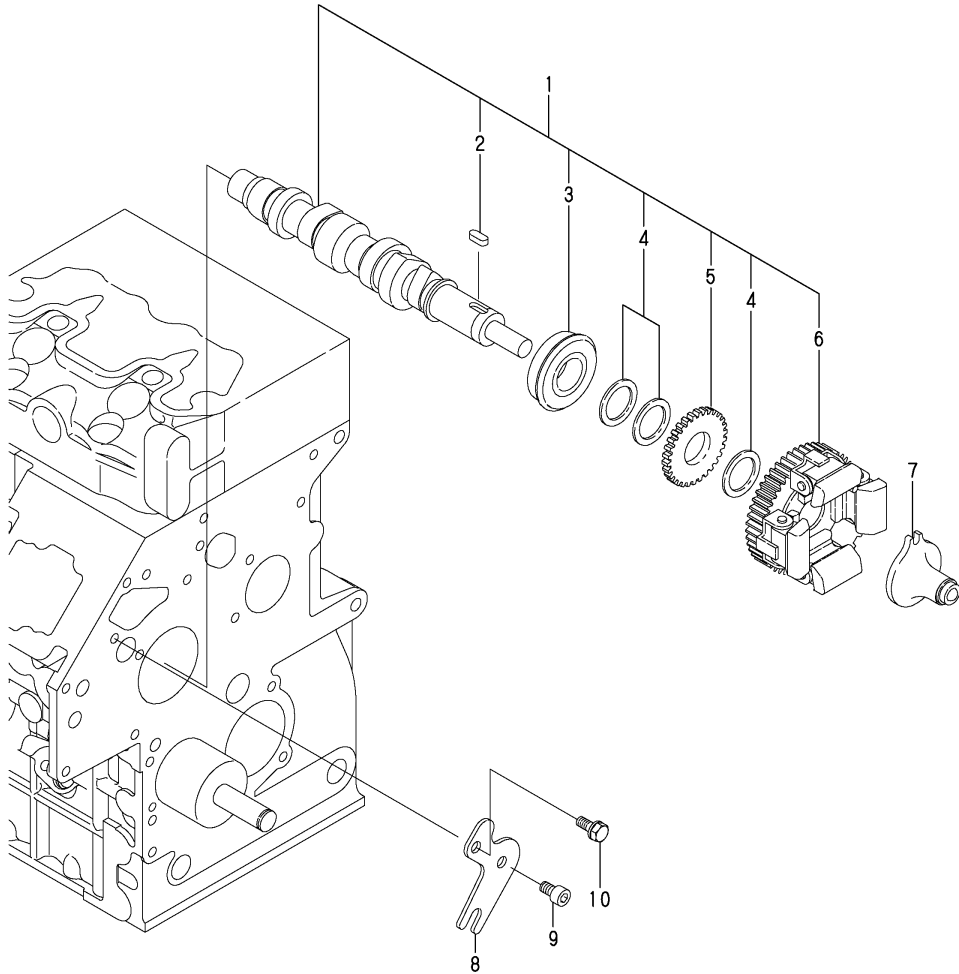


No.	Lev.	Parts No.	Description	Q'ty						I	R
				(A)	(B)	(C)	(D)	(E)	(F)		
1	1	165001-28320	CYLINDER HEAD CMP	1							
2	2	165000-47800	VALVE SEAT;IN	2							
3	2	165000-14500	SEALING CAP	1							
4	2	165000-14510	SEALING CAP	4							
5	2	165000-23200	STUD BOLT	1							
6	2	165000-47810	VALVE;IN	2							
7	2	165000-14940	VALVE;EX	2							
8	2	165000-15020	VALVE GUIDE SEAL	4							
9	2	165000-15700	SPRING	4							
10	2	165000-14950	RERAINER	4							
11	2	165000-14970	COTTER	8							
11A	2	165000-49740	SPRING PIN	2							
12	1	165000-14960	VALVE CAP	4							
13	1	165000-47820	HEAD GASKET;1,2	1							
14	1	165000-47830	HEAD GASKET;1,3	1							
15	1	165000-14710	HEAD BOLT	8							
16	1	165000-14720	HEAD BOLT	2							
17	1	165000-47840	HANGER	2							
18	1	26013-080162	BOLT, SPRING M8X 16	1							
19	1	165000-47850	COLLAR	1							
20	1	26013-080202	BOLT, SPRING M8X 20	1							
21	1	165000-15640	WIRE HARNESS	1							
22	1	26216-060252	STUD, M6X 25	2							
23	1	165000-15300	GASKET;EX MANIFOLD	1							
24	1	165000-47860	EXHAUST MANIFOLD	1							
25	1	26013-060252	BOLT, SPRING M6X 25	2							
26	1	26216-080202	STUD, M8X 20	4							
27	1	165000-47870	GLOW PLUG	2							
28	1	165000-47880	CONNECTER	1							
29	1	26367-040002	NUT, M4	2							
30	1	26366-060002	NUT, M6	2							

Fig.6. CAMSHAFT

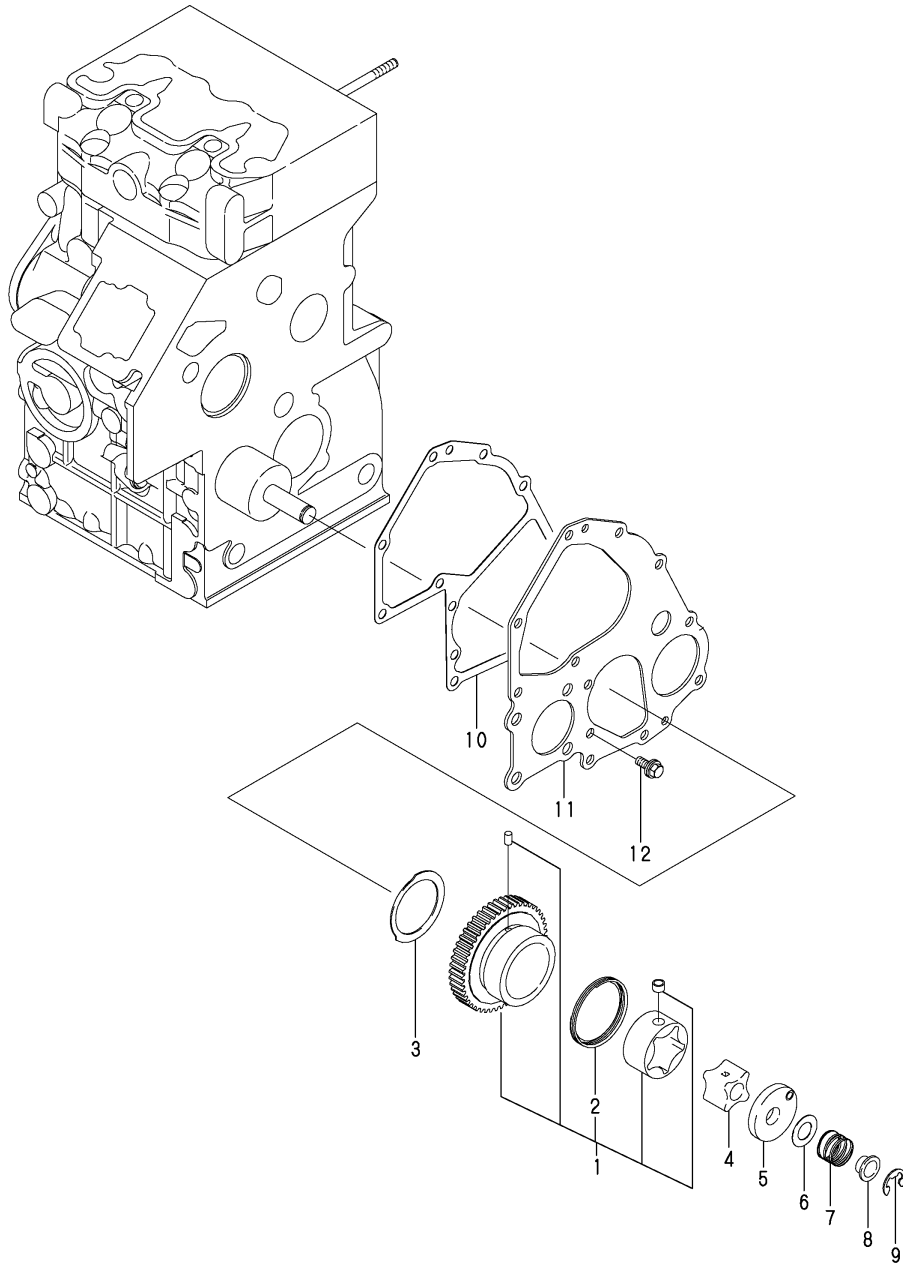
(A)=2TE67L-BV3
(B)=
(C)=

(D)=
(E)=
(F)=



No.	Lev.	Parts No.	Description	Q'ty						I	R
				(A)	(B)	(C)	(D)	(E)	(F)		
1	1	165000-47890	CAMSHAFT ASSY	1							
2	2	1W0341-00508	KEY	1							
3	2	1W0401-09059	BEARING	1							
4	2	165000-15960	APACER	3							
5	2	165000-15040	GEAR	1							
6	2	165000-14890	CAMGEAR COMPL	1							
7	1	165000-15100	SLIDER COMPL	1							
8	1	165000-16020	PLATE	1							
9	1	26450-060102	BOLT, M6X 10	1							
10	1	26013-060122	BOLT, SPRING M6X 12	1							

Fig.7. IDOL GEAR

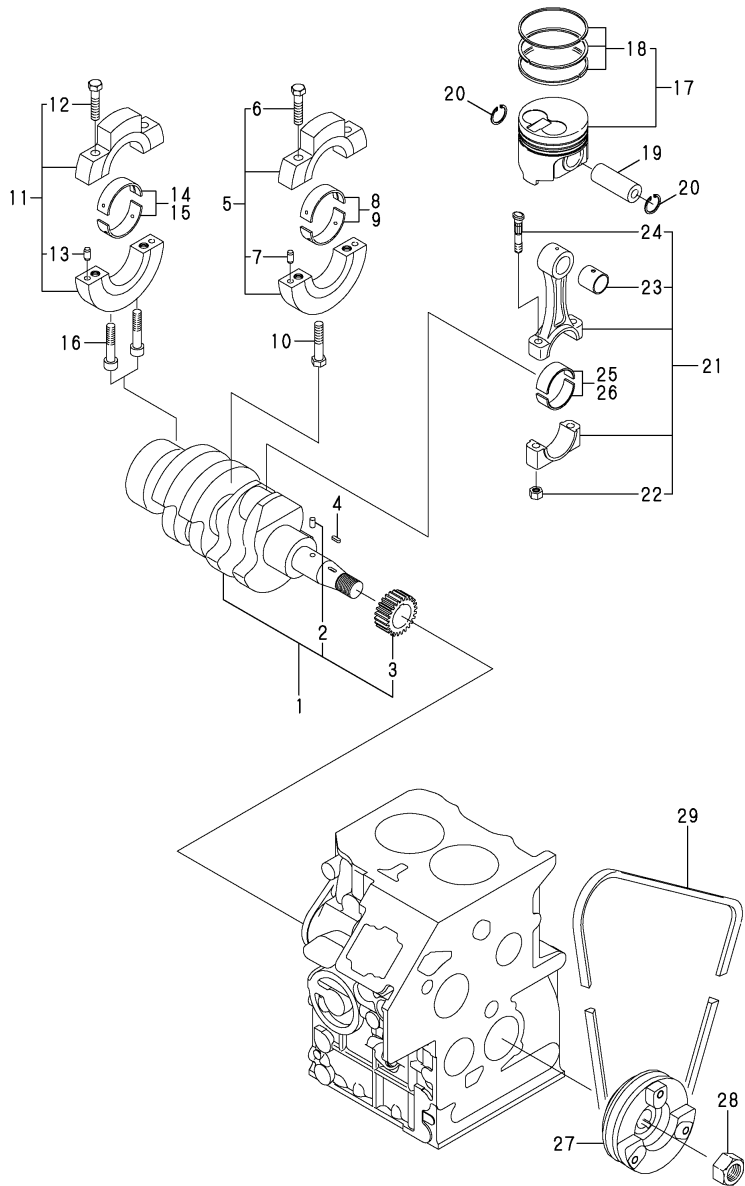


(A)=2TE67L-BV3
(B)=
(C)=

(D)=
(E)=
(F)=

No.	Lev.	Parts No.	Description	Q'ty						I	R
				(A)	(B)	(C)	(D)	(E)	(F)		
1	1	165000-15500	IDLE GEAR ASSY	1							
1-1	1	165002-12170	IDLE GEAR ASSY	1							N
(A=E138833)											
2	2	165000-15690	SPRING	1							
3	1	165000-15980	THRUST WASHER	1							
4	1	165000-15340	ROTOR	1							
4-1	1	165002-12180	ROTOR	1							N
(A=E138833)											
5	1	165000-15320	OIL PUMP COVER	1							
6	1	165000-16000	SHIM SET	1							
7	1	165000-15670	SPRING	1							
8	1	165000-15970	COLLAR	1							
9	1	22272-000100	RING, E-10	1							
10	1	165000-15550	GASKET	1							
11	1	165000-15520	FRONT PLATE	1							
12	1	26013-060122	BOLT, SPRING M6X 12	3							

Fig.8. CRANK SHAFT & PISTON



(A)=2TE67L-BV3

(B)=

(C)=

(D)=

(E)=

(F)=

No.	Lev.	Parts No.	Description	Q'ty						I	R
				(A)	(B)	(C)	(D)	(E)	(F)		
1	1	165000-47520	CRANK SHAFT COMPL	1							
2	2	165000-23290	DOWEL PIN	1							
3	2	165000-14840	CRANK GEAR	1							
4	1	1W0341-00508	KEY	1							
5	1	165000-47530	BEARING HOLDER ASSY	1							
6	2	26106-080450	BOLT, M8X 45 PLATED	2							
7	2	165000-23280	DOWEL PIN	2							
8	1	165001-18970	METAL KIT;S.T.D	1							
9	1	165001-18960	METAL KIT;U.S 0.25	1							1
10	1	26013-080502	BOLT, SPRING M8X 50	1							
11	1	165000-47540	BEARING HOLDER ASSY	1							
12	2	26106-080502	BOLT, M8X 50 PLATED	2							
13	2	165000-23280	DOWEL PIN	2							
14	1	165000-15890	METAL KIT;S.T.D	1							
15	1	165000-15900	METAL KIT;U.S 0.25	1							1
16	1	26450-080452	BOLT, M8X 45	2							
17	1	165000-47550	PISTON KIT;S.T.D	2							
18	2	165000-47560	PISTON RING KIT;S.T.	2							
19	1	165000-14850	PISTON PIN	2							
20	1	22252-000190	RING, 19	4							
21	1	165000-47570	CONNECTING ROD ASSY	2							
22	2	165000-23250	NUT	4							
23	2	165000-15880	BUSH	2							
24	2	165000-14820	BOLT	4							
25	1	165001-18950	METAL;S.T.D	4							
26	1	165001-18940	METAL U.S=0.25	4							1
27	1	165000-47600	CRANK SHAFT PULLEY	1							
28	1	1W0208-00018	NUT	1							
29	1	165000-23330	V-BELT	1							

Remarks

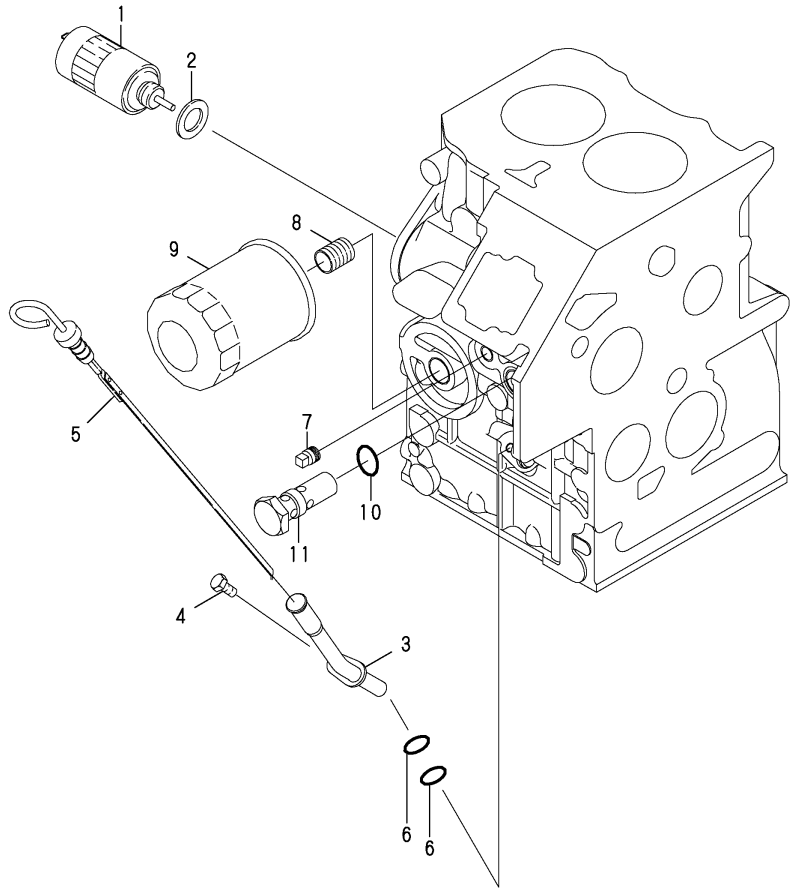
(1)Under-sized(U.S.=0.25) parts.

N:Old $\begin{matrix} \leftarrow \text{Yes} \\ \text{No} \end{matrix}$ New, Q:Old $\begin{matrix} \leftarrow \text{No} \\ \text{Yes} \end{matrix}$ New, R:Old $\begin{matrix} \leftarrow \text{Yes} \\ \text{Yes} \end{matrix}$ New, S:Old $\begin{matrix} \leftarrow \text{No} \\ \text{No} \end{matrix}$ New, W:Add, Z:Discontinued, F:Interchangeable by set, K:Q'ty Change

Fig.9. SOLENOID & GAUGE

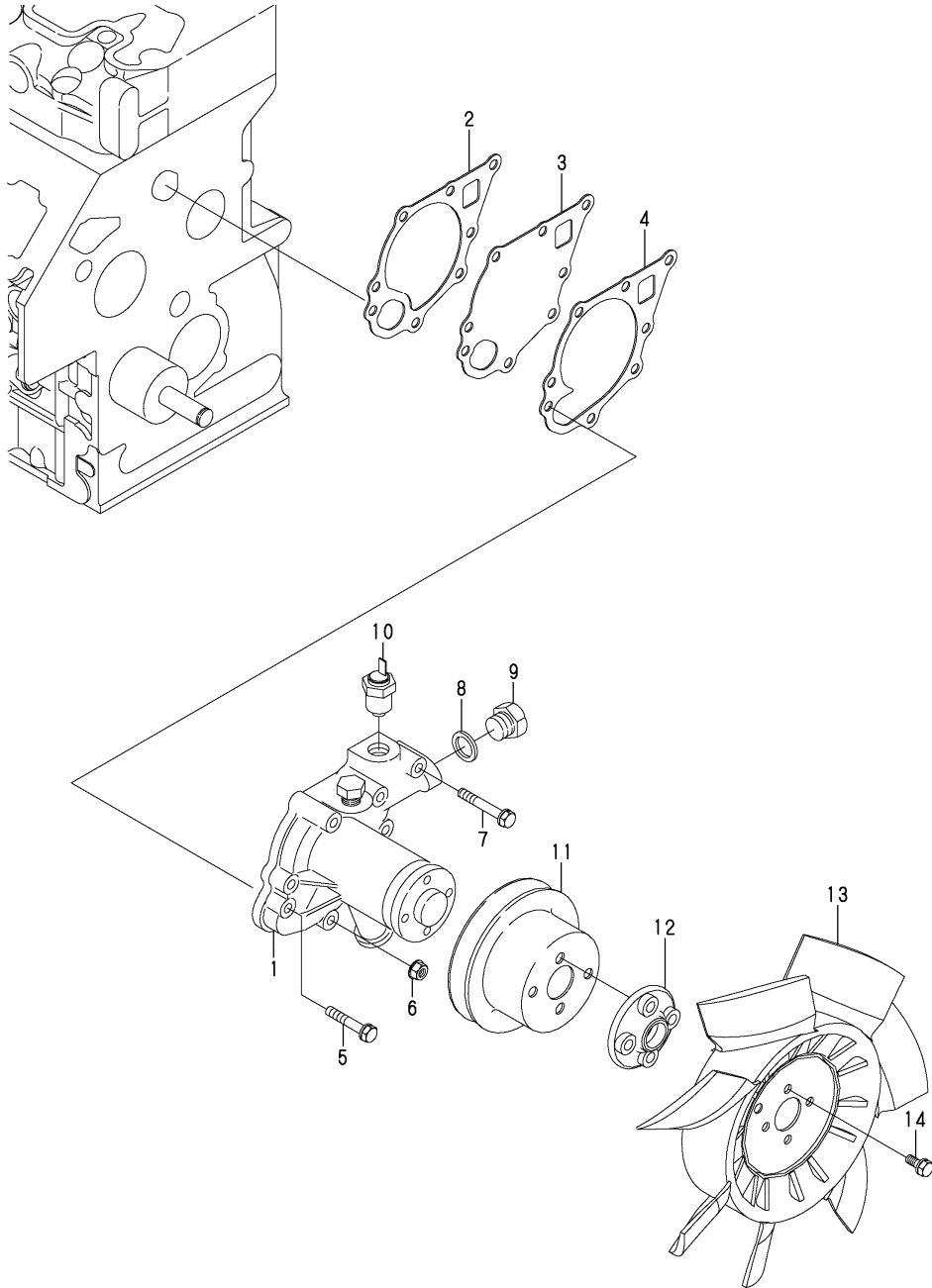
(A)=2TE67L-BV3
(B)=
(C)=

(D)=
(E)=
(F)=



No.	Lev.	Parts No.	Description	Q'ty						I	R
				(A)	(B)	(C)	(D)	(E)	(F)		
1	1	165000-59670	STOP SOLENOID	1							
2	1	22190-160000	WASHER, SEAL 16	1							
3	1	165000-47510	GAUGE GUIDE COMPL	1							
4	1	26013-060122	BOLT, SPRING M6X 12	1							
5	1	165000-15750	GAUGE COMPL	1							
6	1	165000-14480	O-RING	2							
7	1	1W0645-00020	PLUG	1							
8	1	165000-15370	JOINT	1							
9	1	165000-15360	OIL FILTER COMPL	1							
10	1	165000-48510	O-RING	1							
11	1	165000-15310	RELIEF VALVE ASSY	1							

Fig.10. WATER PUMP



(A)=2TE67L-BV3
(B)=
(C)=

(D)=
(E)=
(F)=

No.	Lev.	Parts No.	Description	Q'ty						I	R
				(A)	(B)	(C)	(D)	(E)	(F)		
1	1	165000-15410	WATER PUMP ASSY	1							
2	1	165000-15470	GASKET;WATER PUMP	1							
3	1	165000-15420	SET PLATE	1							
4	1	165000-15480	GASKET;SET PLATE	1							
5	1	26013-060352	BOLT, SPRING M6X 35	3							
6	1	26366-060002	NUT, M6	2							
7	1	26013-060502	BOLT, SPRING M6X 50	6							
8	1	22190-160000	WASHER, SEAL 16	1							
9	1	165000-16040	BOLT	1							
10	1	165000-16030	SENSOR;THERMO SWITCH	1							
11	1	165000-15460	FAN PULLEY	1							
12	1	165000-48040	SPEICER	1							
13	1	165000-48050	COOLING FAN COMPL	1							
14	1	26013-060252	BOLT, SPRING M6X 25	4							

Fig.11. INJECTION PUMP & INJECTOR

(A)=2TE67L-BV3

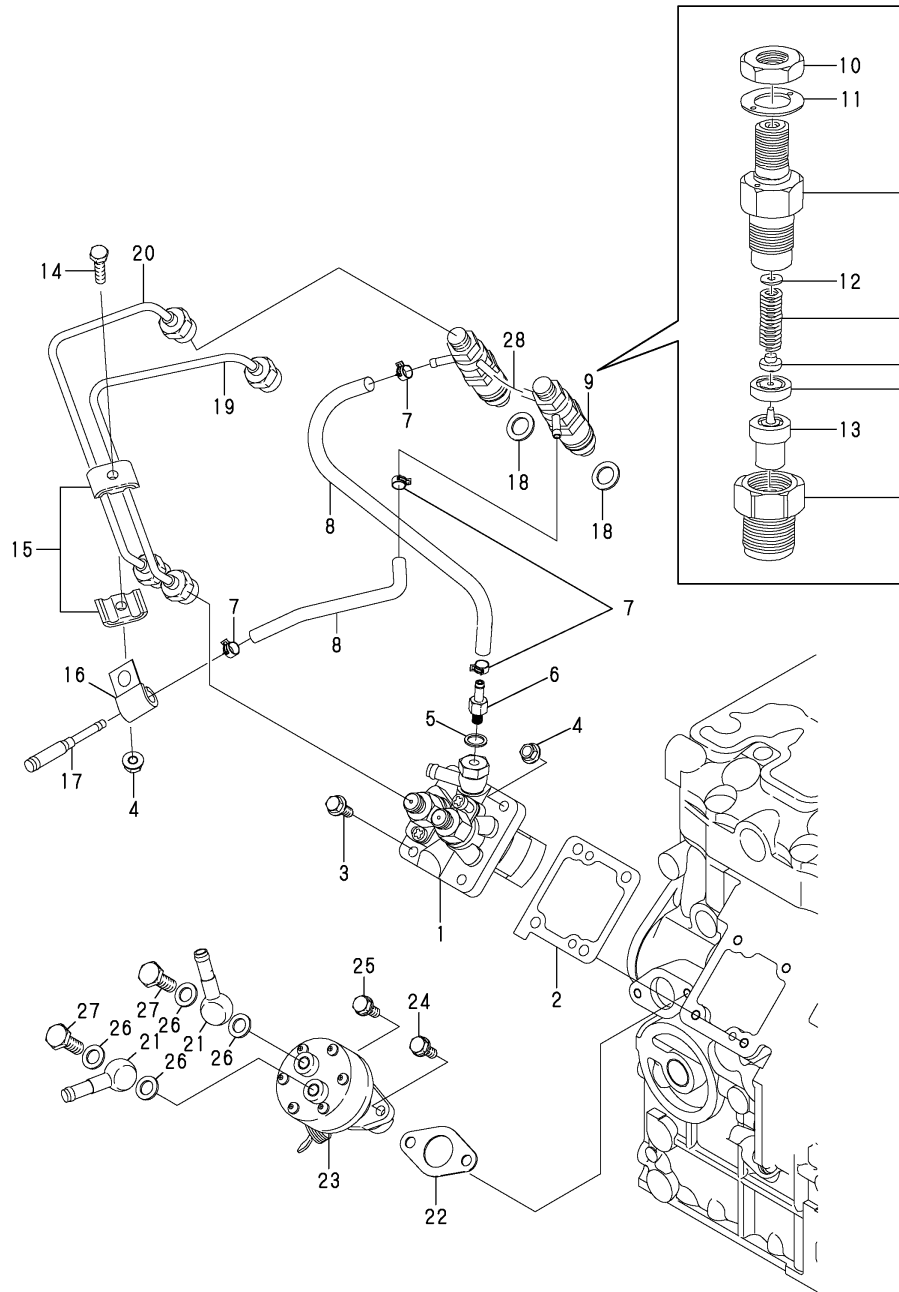
(B)=

(C)=

(D)=

(E)=

(F)=

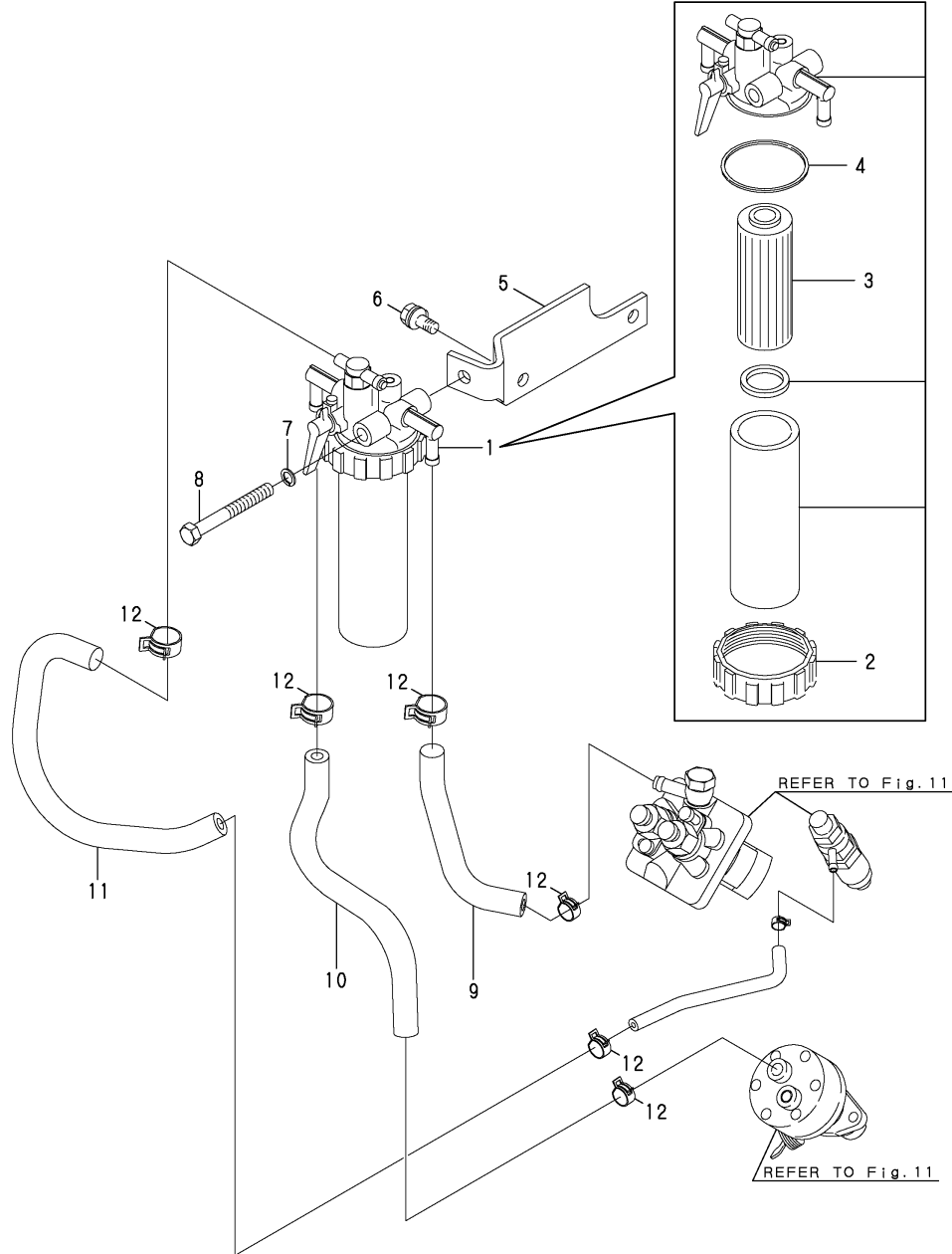


No.	Lev.	Parts No.	Description	Q'ty						I	R
				(A)	(B)	(C)	(D)	(E)	(F)		
1	1	165001-28340	PUMP ASSY,F.I.	1							
2	1	165000-15250	SIM SET	1							
3	1	26013-060202	BOLT, SPRING M6X 20	2							
4	1	26366-060002	NUT, M6	3							
5	1	1W0251-00006	SEAL WASHER	1							
6	1	165000-47950	CONNECTOR	1							
7	1	1W0672-00078	HOSE CLIP	4							
8	1	165000-48290	HOSE	2							
9	1	165000-47980	INJECTOR ASSY	2							
10	2	165000-48220	NUT	2							
11	2	165000-48230	GASKET	2							
12	2	165000-48240	SHIM KIT	2							
13	2	165000-48250	NOZZLE ASSY	2							
14	1	26116-060252	BOLT, M6X 25 PLATED	1							
15	1	165000-59800	CLAMP ASSY	1							
16	1	1W3991-11970	CLAMP	1							
17	1	165000-15830	PIPE COMPL	1							
18	1	165000-15240	GASKET	2							
19	1	165000-47990	INJECTION PIPE	1							
20	1	165000-48000	INJECTION PIPE	1							
21	1	165000-15820	EYE CPMPL	2							
22	1	165000-15200	GASKET;FEED PUMP	1							
23	1	165000-15160	FEED PUMP ASSY	1							
24	1	1W0111-40614	BOLT	1							
25	1	165000-23190	BOLT	1							
26	1	165000-15170	GASKET	4							
27	1	165000-15180	JOINT BOLT	2							
28	1	165000-47970	RETURN PIPE COMPL	1							

Fig.12. FUEL FILTER

(A)=2TE67L-BV3
(B)=
(C)=

(D)=
(E)=
(F)=

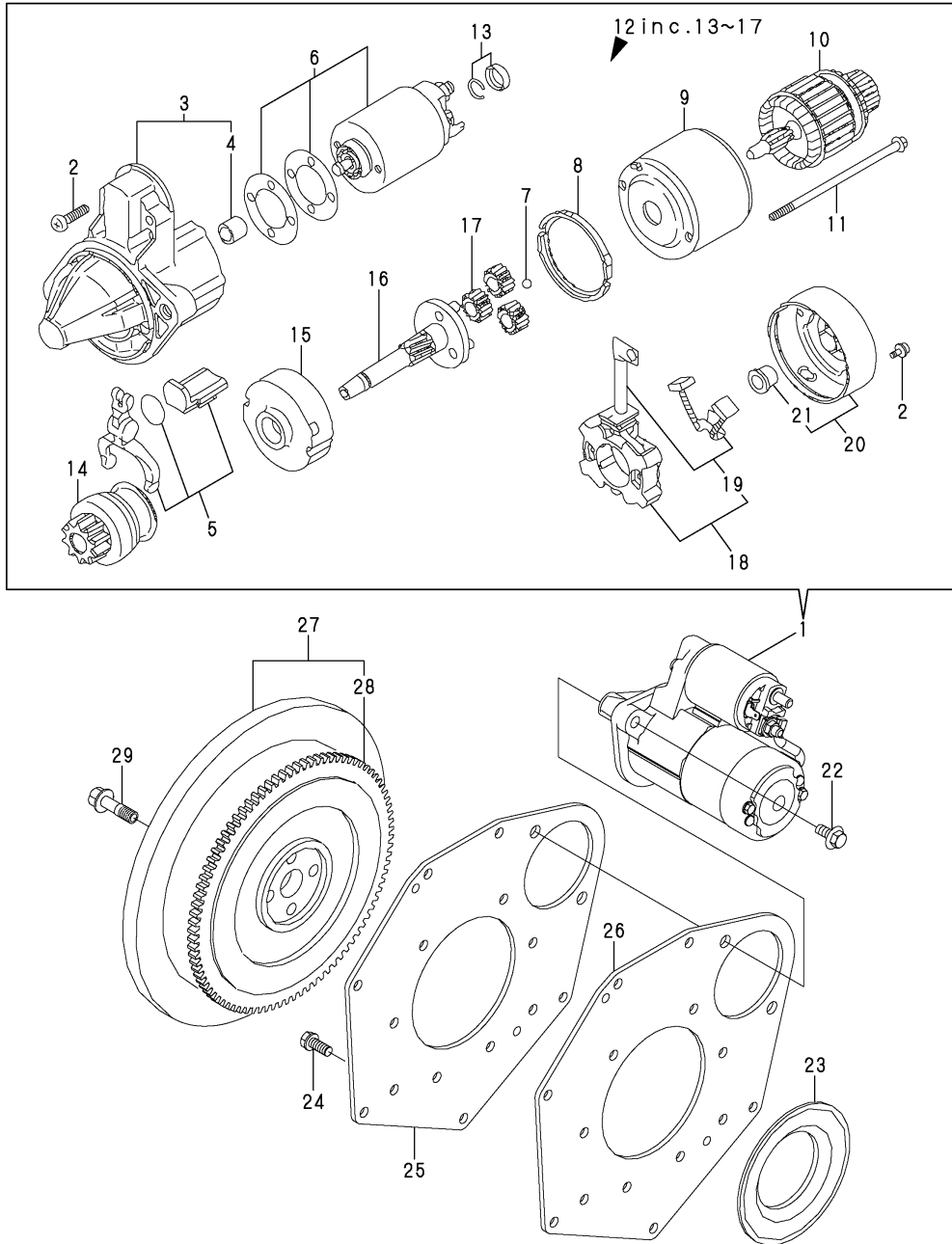


No.	Lev.	Parts No.	Description	Q'ty						I	R
				(A)	(B)	(C)	(D)	(E)	(F)		
1	1	165000-15140	FUEL FILTER ASSY	1							
2	2	165000-15150	RING NUT	1							
3	2	1W3607-20060	ELEMENT	1							
4	2	24311-000440	O-RING, 1AP44.0	1							
5	1	165000-48030	STAY;FUEL FILTER	1							
6	1	26013-080162	BOLT, SPRING M8X 16	2							
7	1	22117-080000	WASHER, 8	1							
8	1	165000-16910	BOLT	1							
9	1	165000-14530	HOSE	1							
10	1	165000-48340	HOSE	1							
11	1	165000-48330	HOSE	1							
12	1	1W0672-00130	CLIP	6							

Fig.13. STARTER MOTOR & FLYWHEEL

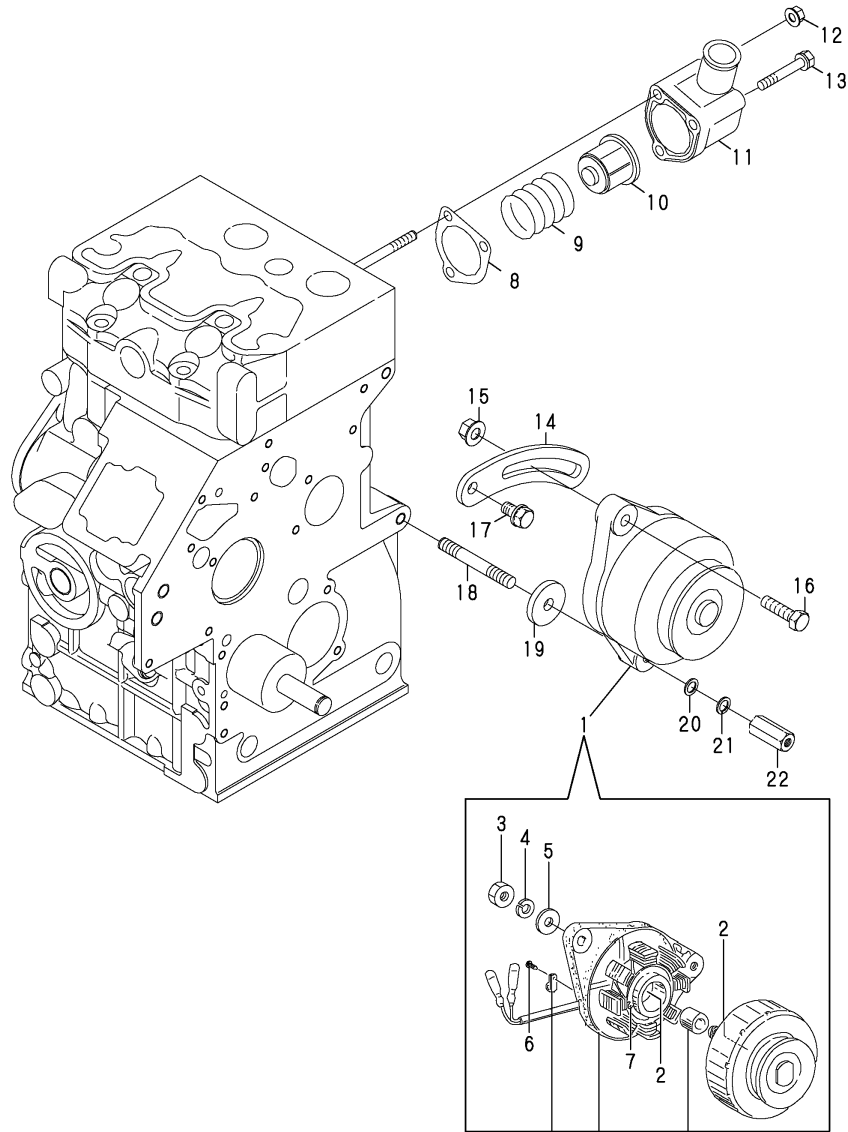
(A)=2TE67L-BV3
(B)=
(C)=

(D)=
(E)=
(F)=



No.	Lev.	Parts No.	Description	Qty						I	R
				(A)	(B)	(C)	(D)	(E)	(F)		
1	1	165000-47590	STARTING MOTOR ASSY	1							
2	2	165000-16100	SET-SCREW	1							
3	2	165000-48060	FRONT BRACKET	1							
4	3	165000-16050	BUSHING-FRONT	1							
5	2	165000-48070	LEVER SET	1							
6	2	165000-48080	SWITCH ASSY	1							
7	2	1W1858-46616	BALL,STEEL	1							
8	2	165000-48090	PACKING	1							
9	2	165000-48100	YOKE ASSY	1							
10	2	165000-48110	ARMATURE	1							
11	2	165000-16090	THROUGH BOLT	2							
12	2	165000-48120	SHAFT ASSY CLUTCH SE	1							
13	3	165000-48130	STOPPER	1							
14	3	165000-48140	OVERRUNNING CLUTCH	1							
15	3	165000-48150	INTERNAL GEAR	1							
16	3	165000-48160	GEAR SHAFT	1							
17	3	165000-48170	GEAR ASSY	3							
18	2	165000-48180	BRUSHES HOLDER	1							
19	3	165000-48190	BRUSHES SET	1							
20	2	165000-48200	REAR BRACKET	1							
21	3	165000-48210	BUSHING-REAR	1							
22	1	1W0108-10830	BOLT	2							
23	1	165000-15930	OIL SEAL	1							
24	1	26013-080202	BOLT, SPRING M8X 20	8							
25	1	165000-14610	REAR PLATE	1							
26	1	165000-14600	REAR PLATE	1							
27	1	165000-47580	FLYWHEEL COMPL	1							
28	2	165000-14870	RING GEAR	1							
29	1	165000-23180	BOLT	4							

Fig.14. ALTERNATOR



(A)=2TE67L-BV3
(B)=
(C)=

(D)=
(E)=
(F)=

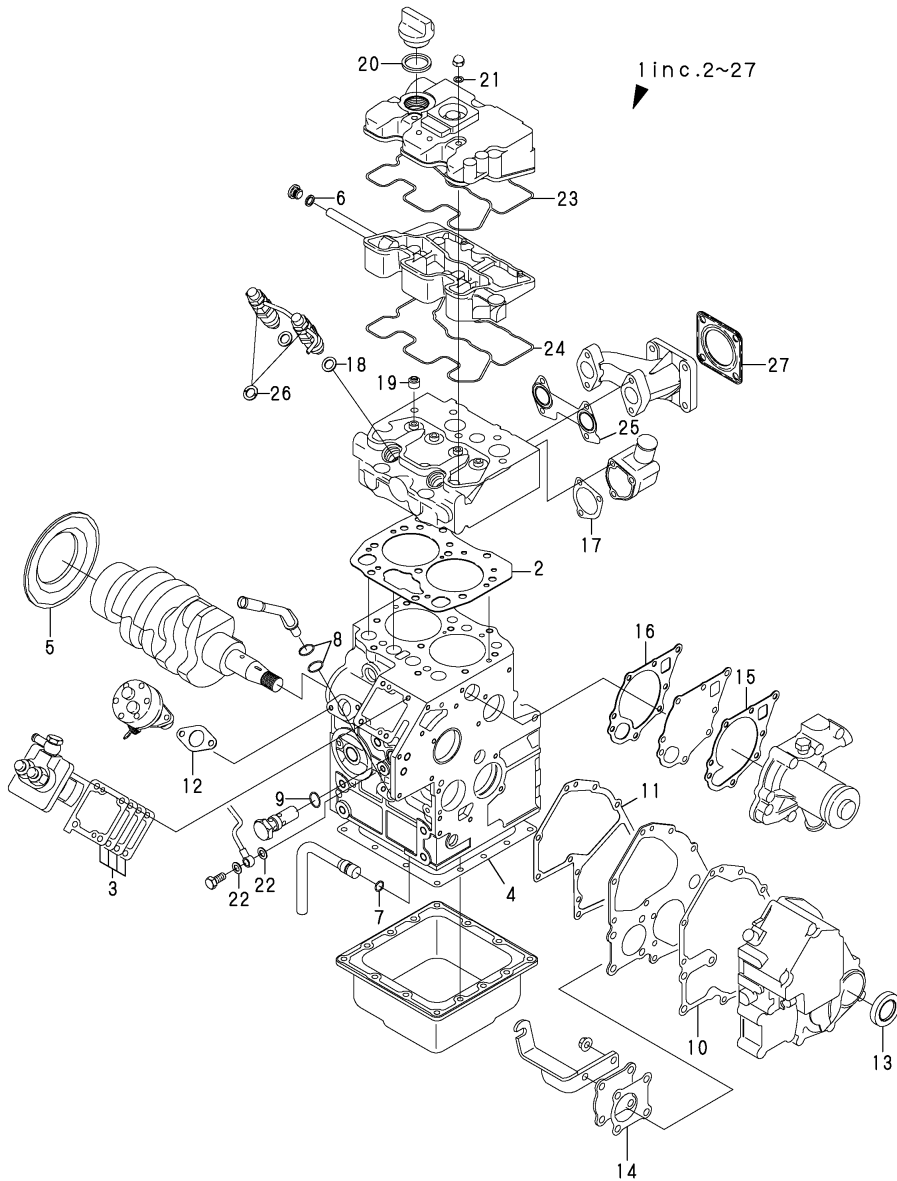
No.	Lev.	Parts No.	Description	Q'ty						I	R
				(A)	(B)	(C)	(D)	(E)	(F)		
1	1	165000-15580	ALTERNATOR ASSY	1							
2	2	24107-062014	BEARING, BALL 6201ZZ	2							
3	2	165000-23260	NUT	1							
4	2	22217-100000	WASHER, SPRING 10	1							
5	2	22137-100000	WASHER, 10	1							
6	2	26022-040082	SCREW, M4X 8	1							
7	2	26022-040252	SCREW, M4X25	2							
8	1	165000-15490	GASKET;THERMO CASE	1							
9	1	165000-15730	SPRING	1							
10	1	165000-15430	THERMOSTAT	1							
11	1	165000-15440	THERMOSTAT CASE	1							
12	1	26366-060002	NUT, M6	2							
13	1	26013-060502	BOLT, SPRING M6X 50	6							
14	1	165000-15650	ADJUSTING PLATE	1							
15	1	26366-080002	NUT, M8	1							
16	1	26116-080304	BOLT, M8X 30 PLATED	1							
17	1	26013-080162	BOLT, SPRING M8X 16	1							
18	1	165000-23230	STUD BOLT	1							
19	1	1W0261-09011	WASHER	1							
20	1	22137-080000	WASHER, 8	1							
21	1	22217-080000	WASHER, SPRING 8	1							
22	1	165000-14440	NUT	1							

Fig.15. GASKET SET

(A)=2TE67L-BV3
(B)=
(C)=

(D)=
(E)=
(F)=

No.	Lev.	Parts No.	Description	Q'ty						I	R
				(A)	(B)	(C)	(D)	(E)	(F)		
1	1	165000-48260	GASKET SET	1							1
2	2	165000-47830	HEAD GASKET;1.3	1							
3	2	165000-15250	SIM SET	1							
4	2	165000-14670	GASKET	1							
5	2	165000-15930	OIL SEAL	1							
6	2	24311-000100	O-RING, 1AP10.0	1							
7	2	1W0521-09076	O-RING 1A P-11.0	1							
8	2	165000-14480	O-RING	2							
9	2	165000-48510	O-RING	1							
10	2	165000-15560	GASKET	1							
11	2	165000-15550	GASKET	1							
12	2	165000-15200	GASKET;FEED PUMP	1							
13	2	165000-15940	OIL SEAL	1							
14	2	165000-15570	GASKET	1							
15	2	165000-15480	GASKET;SET PLATE	1							
16	2	165000-15470	GASKET;WATER PUMP	1							
17	2	165000-15490	GASKET;THERMO CASE	1							
18	2	165000-15240	GASKET	2							
19	2	165000-15020	VALVE GUIDE SEAL	4							
20	2	24311-000280	O-RING, 1AP28.0	1							
21	2	165000-47780	GASKET;M6	2							
22	2	165000-15400	GASKET;M8	4							
23	2	165000-47700	GASKET	1							
24	2	165000-47670	GASKET	1							
25	2	165000-15300	GASKET;EX MANIFOLD	1							
26	2	165000-48230	GASKET	2							
27	2	165000-23350	GASKET	1							



Remarks

(1)Optional parts.

Parts No. Index

Parts No.	Fig. No.	Ref. No.
119623-01250	1	11
165000-14410	2	9
165000-14420	2	10
165000-14430	1	4
165000-14440	14	22
165000-14450	2	16
165000-14460	2	27
165000-14470	2	23
165000-14480	9	6
	15	8
165000-14490	1	12
165000-14500	1	13
	5	3
165000-14510	5	4
165000-14520	1	14
165000-14530	12	9
165000-14600	13	26
165000-14610	13	25
165000-14670	3	9
	15	4
165000-14710	5	15
165000-14720	5	16
165000-14820	8	24
165000-14840	8	3
165000-14850	8	19
165000-14870	13	28
165000-14890	6	6
165000-14920	1	20
165000-14940	5	7
165000-14950	5	10
165000-14960	5	12
165000-14970	5	11
165000-15020	5	8
	15	19
165000-15040	6	5
165000-15060	2	17
165000-15070	2	22
165000-15080	2	25
165000-15090	2	29
165000-15100	6	7
165000-15110	2	6
165000-15120	2	14
165000-15130	2	35
165000-15140	12	1
165000-15150	12	2
165000-15160	11	23
165000-15170	11	26
165000-15180	11	27
165000-15200	11	22
	15	12

Parts No.	Fig. No.	Ref. No.
165000-15240	11	18
	15	18
165000-15250	11	2
	15	3
165000-15300	5	23
	15	25
165000-15310	9	11
165000-15320	7	5
165000-15340	7	4
165000-15360	9	9
165000-15370	9	8
165000-15400	4	15
	15	22
165000-15410	10	1
165000-15420	10	3
165000-15430	14	10
165000-15440	14	11
165000-15460	10	11
165000-15470	10	2
	15	16
165000-15480	10	4
	15	15
165000-15490	14	8
	15	17
165000-15500	7	1
165000-15510	2	1
165000-15520	7	11
165000-15530	2	38
165000-15540	1	15
165000-15550	7	10
	15	11
165000-15560	2	11
	15	10
165000-15570	2	39
	15	14
165000-15580	14	1
165000-15610	4	13
165000-15640	5	21
165000-15650	14	14
165000-15670	7	7
165000-15680	2	31
165000-15690	7	2
165000-15700	5	9
165000-15730	14	9
165000-15750	9	5
165000-15780	1	18
165000-15790	1	17
165000-15810	4	16
165000-15820	11	21
165000-15830	11	17

Parts No.	Fig. No.	Ref. No.
165000-15880	8	23
165000-15890	8	14
165000-15900	8	15
165000-15930	13	23
	15	5
165000-15940	2	12
	15	13
165000-15960	6	4
165000-15970	7	8
165000-15980	7	3
165000-16000	7	6
165000-16010	4	6
165000-16020	6	8
165000-16030	10	10
165000-16040	10	9
165000-16050	13	4
165000-16090	13	11
165000-16100	13	2
165000-16910	12	8
165000-23160	3	6
165000-23170	2	32
165000-23180	13	29
165000-23190	11	25
165000-23200	5	5
165000-23220	1	3
165000-23230	14	18
165000-23240	4	7
165000-23250	8	22
165000-23260	14	3
165000-23270	1	5
165000-23280	8	7
		13
165000-23290	8	2
165000-23310	1	10
165000-23330	8	29
165000-23340	1	16
165000-23350	15	27
165000-47460	1	1
165000-47470	3	1
165000-47480	3	3
165000-47490	3	5
165000-47500	1	21
165000-47510	9	3
165000-47520	8	1
165000-47530	8	5
165000-47540	8	11
165000-47550	8	17
165000-47560	8	18
165000-47570	8	21
165000-47580	13	27

Parts No.	Fig. No.	Ref. No.
165000-47590	13	1
165000-47600	8	27
165000-47620	4	2
165000-47630	4	3
165000-47640	4	4
165000-47650	4	5
165000-47660	4	9
165000-47670	4	12
	15	24
165000-47680	4	14
165000-47700	4	19
	15	23
165000-47710	4	20
165000-47720	4	21
165000-47730	4	22
165000-47760	4	26
165000-47780	4	30
	15	21
165000-47800	5	2
165000-47810	5	6
165000-47820	5	13
165000-47830	5	14
	15	2
165000-47840	5	17
165000-47850	5	19
165000-47860	5	24
165000-47870	5	27
165000-47880	5	28
165000-47890	6	1
165000-47910	2	18
165000-47930	2	21
165000-47950	11	6
165000-47970	11	28
165000-47980	11	9
165000-47990	11	19
165000-48000	11	20
165000-48030	12	5
165000-48040	10	12
165000-48050	10	13
165000-48060	13	3
165000-48070	13	5
165000-48080	13	6
165000-48090	13	8
165000-48100	13	9
165000-48110	13	10
165000-48120	13	12
165000-48130	13	13
165000-48140	13	14
165000-48150	13	15
165000-48160	13	16

Parts No. Index

Parts No.	Fig. No.	Ref. No.
165000-48170	13	17
165000-48180	13	18
165000-48190	13	19
165000-48200	13	20
165000-48210	13	21
165000-48220	11	10
165000-48230	11	11
	15	26
165000-48240	11	12
165000-48250	11	13
165000-48260	15	1
165000-48270	4	17
165000-48290	11	8
165000-48320	4	25
165000-48330	12	11
165000-48340	12	10
165000-48470	2	36
165000-48510	9	10
	15	9
165000-49720	4	1
165000-49740	5	11 A
165000-59670	9	1
165000-59800	11	15
165000-73630	1	19
165001-18940	8	26
165001-18950	8	25
165001-18960	8	9
165001-18970	8	8
165001-18980	1	22
165001-28320	5	1
165001-28330	2	3
165001-28340	11	1
165001-28350	2	20
165002-12170	7	1 -1
165002-12180	7	4 -1
1W0101-10630	2	13
1W0104-11212	3	8
1W0108-10830	13	22
1W0111-40614	11	24
1W0113-10614	2	34
1W0113-10670	4	24
1W0208-00018	8	28
1W0251-00006	11	5
1W0261-09011	14	19
1W0303-00414	2	2
1W0305-00512	1	6
1W0305-00825	1	8
1W0341-00508	6	2
	8	4
1W0401-09059	6	3

Parts No.	Fig. No.	Ref. No.
1W0521-09076	3	2
	15	7
1W0645-00020	9	7
1W0672-00078	11	7
1W0672-00130	12	12
1W1858-46616	13	7
1W3607-20060	12	3
1W3984-30560	4	27
1W3991-11970	11	16
22117-080000	2	30
	12	7
22117-100000	2	5
22137-080000	14	20
22137-100000	14	5
22190-120000	3	7
22190-160000	9	2
	10	8
22217-080000	14	21
22217-100000	14	4
22252-000190	8	20
22272-000050	2	15
22272-000060	2	26
22272-000080	2	4
		24
22272-000100	7	9
22312-060160	1	7
22351-010016	4	10
22372-040000	2	19
22857-400061	4	23
24101-062034	1	9
24107-062014	14	2
24311-000100	4	8
	15	6
24311-000280	4	28
	15	20
24311-000440	12	4
26013-060122	3	4
	6	10
	7	12
	9	4
26013-060202	11	3
26013-060252	4	18
	5	25
	10	14
26013-060352	10	5
26013-060402	2	8
26013-060502	10	7
	14	13
26013-080162	5	18
	12	6

Parts No.	Fig. No.	Ref. No.
26013-080162	14	17
26013-080202	5	20
	13	24
26013-080502	8	10
26022-040082	14	6
26022-040252	14	7
26106-080450	8	6
26106-080502	8	12
26116-060252	11	14
26116-080304	14	16
26116-080552	2	7
26216-060202	1	2
26216-060252	5	22
26216-080202	5	26
26366-060002	2	33
	4	11
	5	30
	10	6
	11	4
	14	12
26366-080002	2	37
	14	15
26367-040002	5	29
26450-060102	6	9
26450-080452	8	16
26657-060002	4	29
26756-080002	2	28

Parts No.	Fig. No.	Ref. No.
-----------	----------	----------