

0CB10-M75900EN

Directions for the Parts Catalog.

1. This Parts Catalog shows both standard and optional parts.
2. Parts may change without prior notice.
3. The following is an example of the Parts Catalog format.

| REF. | LEV. | PARTS NO. | DESCRIPTION | Q'TY | | | | | | I | R |
|------|------|--|---------------------|------|-----|-----|-----|-----|-----|---|---|
| | | | | (A) | (B) | (C) | (D) | (E) | (F) | | |
| 1 | 1 | 729595-51390 | FUEL INJECTION PUMP | 1 | 1 | 1 | 1 | 1 | | | 1 |
| 1-1 | 1 | 729595-51391 | FUEL INJECTION PUMP | 1 | 1 | 1 | 1 | 1 | | N | 1 |
| | | (A=E00185) (B=E00200) | | | | | | | | | |
| 3 | 2 | 26022-060162 | SCREW M 6X 16 | 9 | 9 | 9 | 9 | 9 | | | |
| 3-1 | 2 | 26022-060162 | SCREW M 6X 16 | 4 | 4 | 4 | 4 | 4 | | K | |
| | | (A=E00156) (B=E00156) (C=E00156) (D=E00156) (E=E00156) | | | | | | | | | |
| 4 | 2 | 129470-51040 | CAMSHAFT | 1 | 1 | 1 | 1 | 1 | | | |
| 5 | 2 | 122710-51050 | BEARING, ROLLER | 2 | 2 | 2 | 2 | 2 | | | |
| 6 | 2 | 129470-51060 | RETAINER | 1 | 1 | 1 | 1 | 1 | | | |

| |
|---|
| Remarks |
| (1) BOOST COMPEMSATOR TYPE. OPTIONAL PART, TO E00155,(4JH-DT, 4JH-DTZ |

① Ref. No.

The Ref. No. listed may not be in accordance with the illustration Ref. No.

(Ex.) Illustration No.

List Ref No.

1

1

(Before change)

1-1

(After change)

For interchangeable symbols N, R and K, illustrations for new parts may be abbreviated.

② Lev. (Level)

Level indication

The numbers below indicate the level of relativity towards the main part.

1 ----- Main parts (Assembly parts)

2 ----- Sub component included in " 1 ".

3 ----- Sub component included in " 2 ".

Note) Parts that are not for sale are partially illustrated but not listed.

③ Interchangeability Symbol

When a part change takes place, one of the following interchangeability symbols is indicated beside the part.

| Symbol | Interchangeability | Contents note |
|--------|---|--|
| N | Old $\begin{matrix} \leftarrow \text{Yes} \\ \text{No} \rightarrow \end{matrix}$ New | New Part is interchangeable for Old Part but Old Part is not interchangeable for New Part. |
| Q | Old $\begin{matrix} \leftarrow \text{No} \\ \text{Yes} \rightarrow \end{matrix}$ New | New Part is not interchangeable for Old Part but Old Part is interchangeable for New Part. |
| R | Old $\begin{matrix} \leftarrow \text{Yes} \\ \text{Yes} \rightarrow \end{matrix}$ New | New/ Old Parts are both interchangeable. |
| S | Old $\begin{matrix} \leftarrow \text{No} \\ \text{No} \rightarrow \end{matrix}$ New | New/ Old Parts are both not interchangeable. |
| W | | Part newly added. |
| Z | | Part discontinued. |
| F | | Not interchangeable by a single part but interchangeable together with related parts. |
| K | | Changes only for used parts quantities. |

④ Effective Machine No.

When a part changes, the effective Machine No. will be indicated in the (A)-(F) column.

| Product Symbol | Product No. | Product Symbol | Product No. |
|----------------|---------------------------|----------------|-----------------------------------|
| C | Clutch No. Compressor No. | F | Machine No. (Agricultural Equip.) |
| D | Drive No. | M | Machine No. |
| E | Engine No. | | |

Note 1) A date may follow the symbol. (Ex.) 1996.01

Note 2) "XXXXX" and "ZZZZZ" are for parts that could not be predicted or for engine models that could not be identified.

Note 3) (A=E00185) is the E (Engine Serial Number) for the column (A) model (in this case 4JH-DT) after the parts design change.

⑤ Remarks

Figures or alphabets (symbols) are entered in the remarks column.

The comments (remarks) on parts that are indicated at the bottom of the illustration are the same symbols as those stated above.

Contents

0CB10-M75900

Fig. No. Fig. Name

3TNV88-BQBV

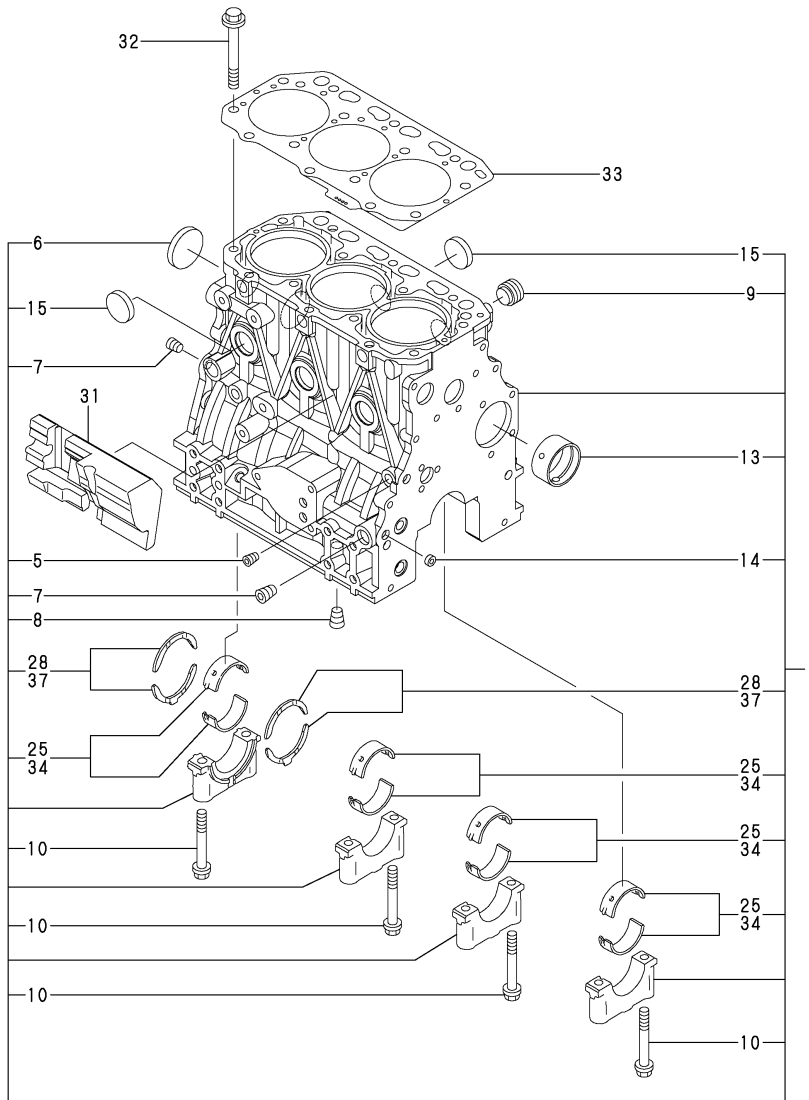
1. CYLINDER BLOCK
2. GEAR HOUSING
3. FLYWHEEL HOUSING & OIL SUMP
4. CYLINDER HEAD & BONNET
5. SUCTION MANIFOLD
6. EXHAUST MANIFOLD
7. CAMSHAFT & DRIVING GEAR
8. CRANKSHAFT & PISTON
9. LUB.OIL SYSTEM
10. COOLING WATER SYSTEM
11. FUEL INJECTION PUMP
12. GOVERNOR
13. FUEL INJECTION VALVE
14. FUEL LINE
15. STARTING MOTOR
16. GENERATOR
17. GASKET SET & TOOLS

Fig. No. Fig. Name

Fig.1. CYLINDER BLOCK

(A)=3TNV88-BQBV
(B)=
(C)=

(D)=
(E)=
(F)=



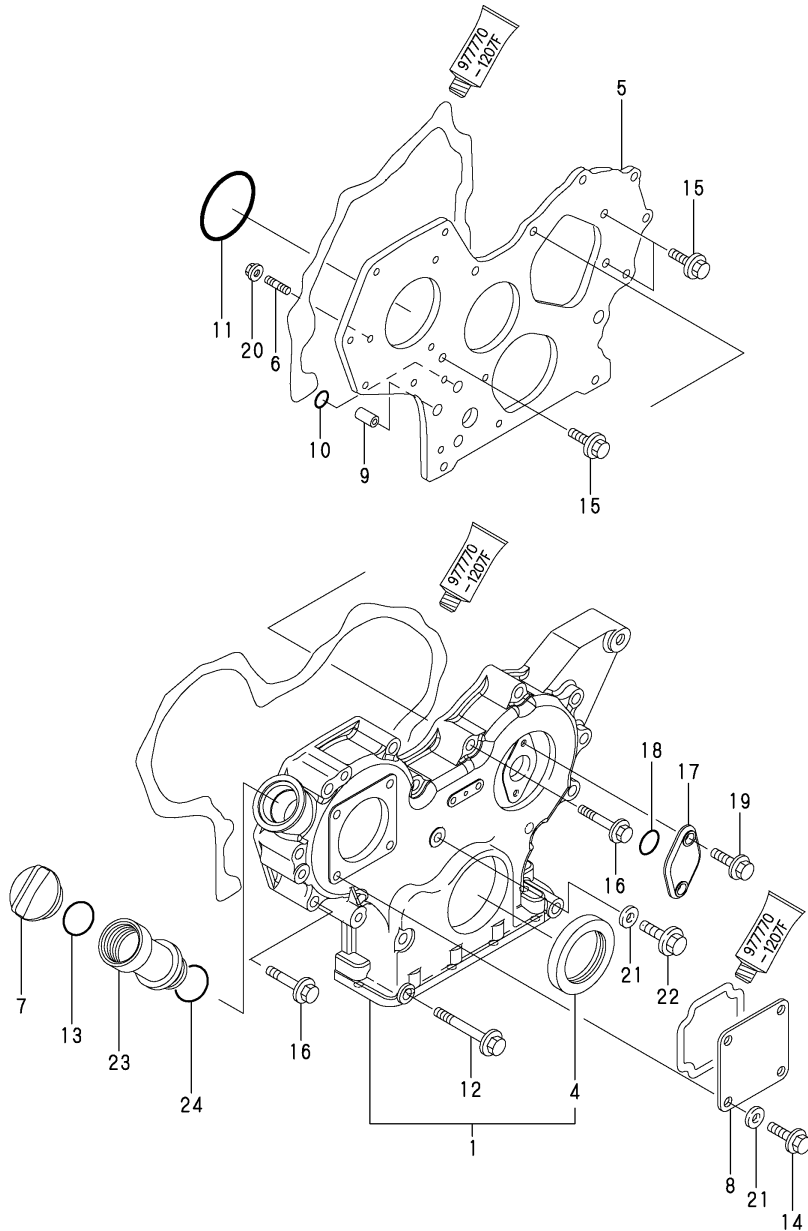
| No. | Lev. | Parts No. | Description | Q'ty | | | | | | I | R |
|-----|------|--------------|----------------------|------|-----|-----|-----|-----|-----|---|---|
| | | | | (A) | (B) | (C) | (D) | (E) | (F) | | |
| 1 | 1 | 729005-01562 | BLOCK ASSY, CYLINDER | 1 | | | | | | | |
| 5 | 2 | 124060-01050 | PLUG, PT1/8 | 1 | | | | | | | |
| 6 | 2 | 129001-01250 | PLUG, 50 | 1 | | | | | | | |
| 7 | 2 | 124160-01910 | PLUG, PT1/4 | 2 | | | | | | | |
| 8 | 2 | 124160-01910 | PLUG, PT1/4 | 1 | | | | | | | |
| 9 | 2 | 171051-01921 | PLUG, NPTF1 | 1 | | | | | | | |
| 10 | 2 | 129150-02020 | BOLT, METAL CAP | 8 | | | | | | | |
| 13 | 2 | 129795-02412 | BUSH, CAMSHAFT | 1 | | | | | | | |
| 14 | 2 | 27241-120000 | PLUG, 12 | 2 | | | | | | | |
| 15 | 2 | 27241-300000 | PLUG 30 | 6 | | | | | | | |
| 25 | 2 | 129001-02931 | BEARING, MAIN | 4 | | | | | | | 3 |
| 28 | 2 | 129150-02931 | BEARING, THRUST | 2 | | | | | | | 3 |
| 31 | 1 | 129004-01190 | SPACER | 1 | | | | | | | |
| 32 | 1 | 129150-01200 | BOLT, HEAD | 14 | | | | | | | |
| 33 | 1 | 129001-01340 | GASKET, HEAD | 1 | | | | | | | |
| 34 | 1 | 129150-02871 | BEARING, 0.25 US | 4 | | | | | | | 1 |
| 37 | 1 | 129150-02941 | BEARING, THRUST 0.25 | 1 | | | | | | | 2 |

Remarks
(1) UNDER SIZED (U.S.=0.25) PART.
(2) OVER SIZED (O.S.=0.25) PART.
(3) REPAIR PART.

Fig.2. GEAR HOUSING

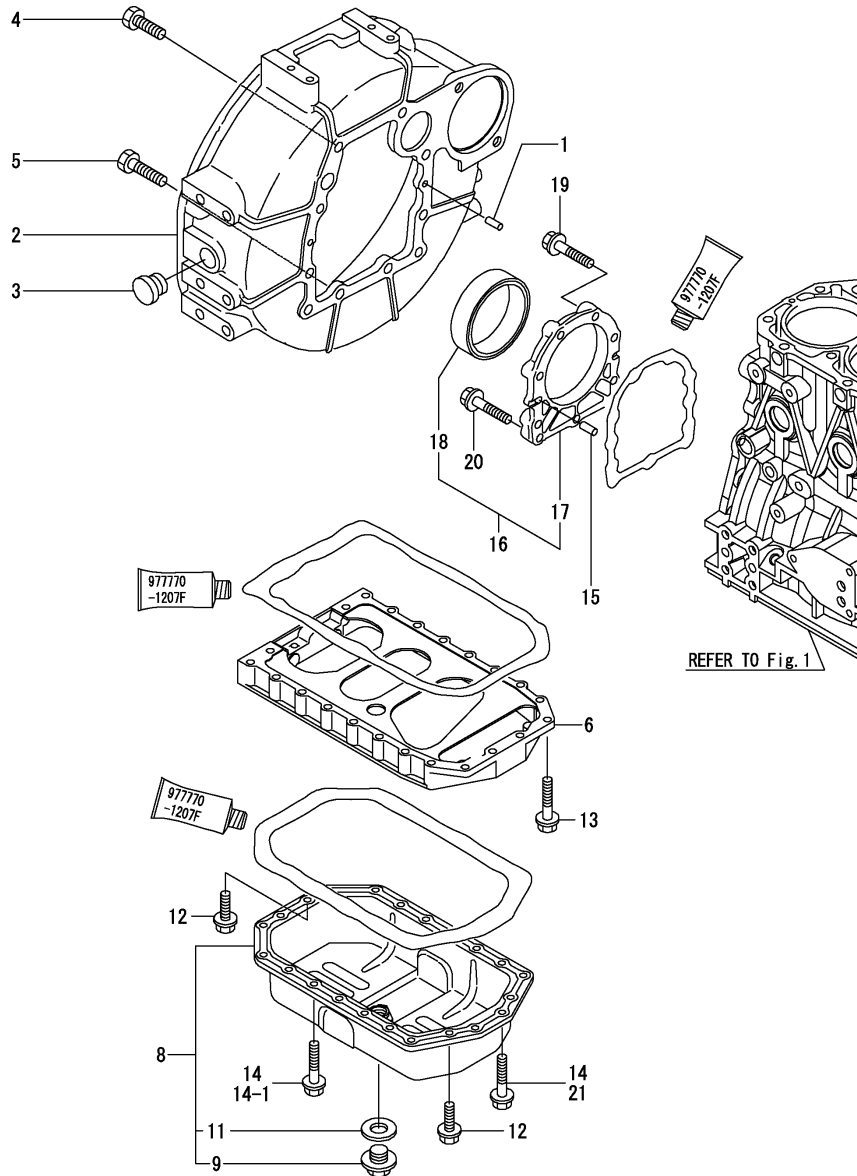
(A)=3TNV88-BQBV
(B)=
(C)=

(D)=
(E)=
(F)=



| No. | Lev. | Parts No. | Description | Q'ty | | | | | | I | R |
|-----|------|--------------|---------------------|------|-----|-----|-----|-----|-----|---|---|
| | | | | (A) | (B) | (C) | (D) | (E) | (F) | | |
| 1 | 1 | 729630-01500 | CASE ASSY, GEAR | 1 | | | | | | | |
| 4 | 2 | 119934-01800 | SEAL, OIL | 1 | | | | | | | |
| 5 | 1 | 119803-01520 | FLANGE, GEAR CASE | 1 | | | | | | | |
| 6 | 1 | 119802-01561 | STUD, M8X25 | 3 | | | | | | | |
| 7 | 1 | 124160-01751 | COVER, FILLER | 1 | | | | | | | |
| 8 | 1 | 124240-01871 | COVER | 1 | | | | | | | |
| 9 | 1 | 129795-01950 | PIPE, KNOCK L=18 | 2 | | | | | | | |
| 10 | 1 | 119609-32040 | O-RING, P16 | 2 | | | | | | | |
| 11 | 1 | 121850-51960 | O-RING | 1 | | | | | | | |
| 12 | 1 | 129001-91841 | BOLT, M8X85 | 3 | | | | | | | |
| 13 | 1 | 24311-000320 | O-RING, 1AP32.0 | 1 | | | | | | | |
| 14 | 1 | 26106-080162 | BOLT, M8X 16 PLATED | 4 | | | | | | | |
| 15 | 1 | 26106-080162 | BOLT, M8X 16 PLATED | 3 | | | | | | | |
| 16 | 1 | 26106-080552 | BOLT, M8X 55 PLATED | 12 | | | | | | | |
| 17 | 1 | 121023-01551 | COVER | 1 | | | | | | | |
| 18 | 1 | 24341-000240 | O-RING, 1AS24.0 | 1 | | | | | | | |
| 19 | 1 | 26106-060162 | BOLT, M6X 16 PLATED | 2 | | | | | | | |
| 20 | 1 | 26306-080002 | NUT, M8 | 3 | | | | | | | |
| 21 | 1 | 22190-080002 | WASHER, SEAL 6 | 5 | | | | | | | |
| 22 | 1 | 26106-080302 | BOLT, M8X 30 PLATED | 1 | | | | | | | |
| 23 | 1 | 171031-11741 | PIPE | 1 | | | | | | | |
| 24 | 1 | 24311-000320 | O-RING, 1AP32.0 | 1 | | | | | | | |

Fig.3. FLYWHEEL HOUSING & OIL SUMP

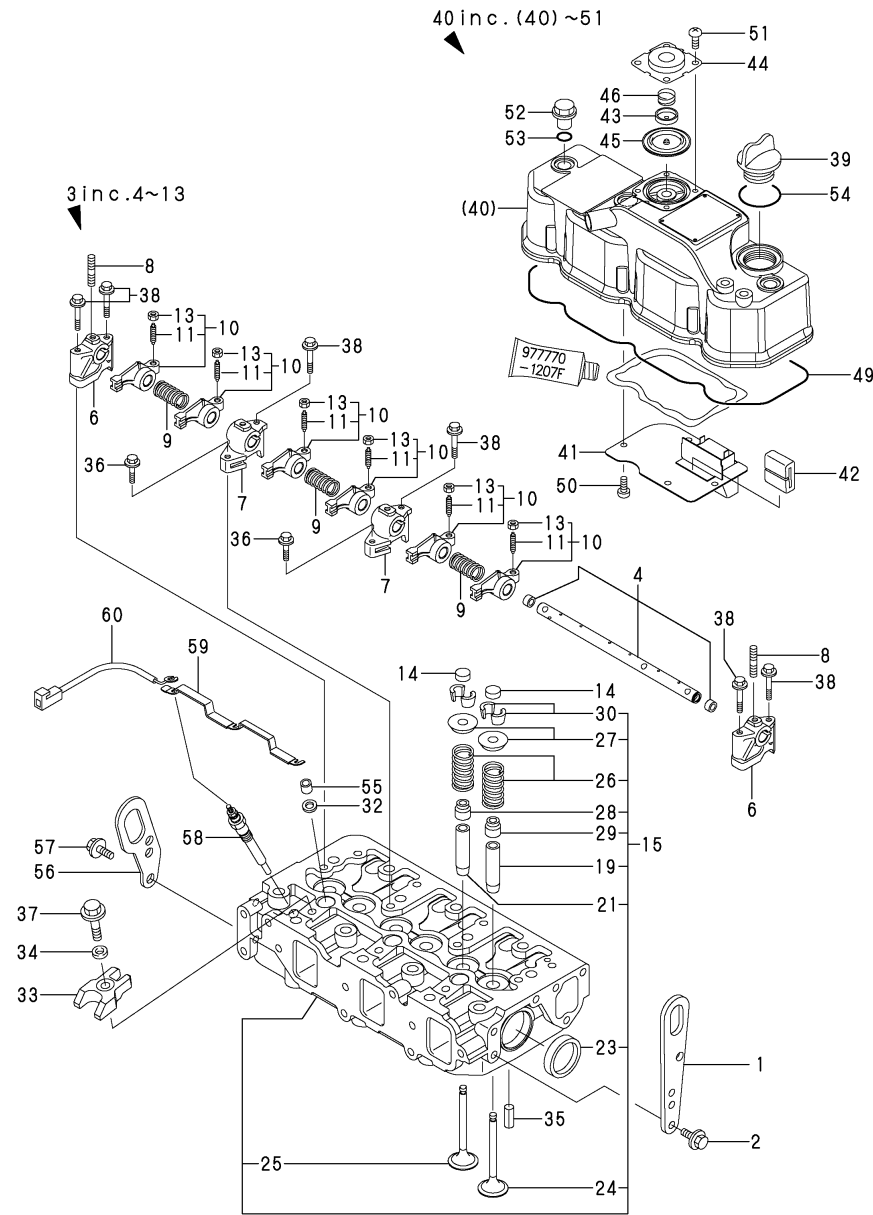


(A)=3TNV88-BQBV
(B)=
(C)=

(D)=
(E)=
(F)=

| No. | Lev. | Parts No. | Description | Q'ty | | | | | | I | R |
|--------------|------|--------------|----------------------|------|-----|-----|-----|-----|-----|---|---|
| | | | | (A) | (B) | (C) | (D) | (E) | (F) | | |
| 1 | 1 | 129100-01580 | PIN, M8X16 | 2 | | | | | | | |
| 2 | 1 | 129612-01600 | HOUSING, FLYWHEEL | 1 | | | | | | | |
| 3 | 1 | 119620-01750 | CAP | 1 | | | | | | | |
| 4 | 1 | 26206-100252 | BOLT, M10X 25 PLATED | 6 | | | | | | | |
| 5 | 1 | 26206-100302 | BOLT, M10X 30 PLATED | 4 | | | | | | | |
| 6 | 1 | 129100-01730 | SPACER, OIL SUMP | 1 | | | | | | | |
| 8 | 1 | 129136-01780 | SUMP ASSY, OIL | 1 | | | | | | | |
| 9 | 2 | 119640-01640 | PLUG, DRAIN M22 | 1 | | | | | | | |
| 11 | 2 | 22190-220002 | WASHER, SEAL 22 | 1 | | | | | | | |
| 12 | 1 | 26106-080162 | BOLT, M8X 16 PLATED | 4 | | | | | | | |
| 13 | 1 | 26106-080252 | BOLT, M8X 25 PLATED | 2 | | | | | | | |
| 14 | 1 | 26106-080452 | BOLT, M8X 45 PLATED | 20 | | | | | | | |
| 14-1 | 1 | 26106-080452 | BOLT, M8X 45 PLATED | 16 | | | | | | | K |
| (A=FROM 1ST) | | | | | | | | | | | |
| 15 | 1 | 129100-01580 | PIN, M8X16 | 2 | | | | | | | |
| 16 | 1 | 129100-01640 | CASE ASSY, OIL SEAL | 1 | | | | | | | |
| 17 | 2 | 129150-01650 | CASE, OIL SEAL | 1 | | | | | | | |
| 18 | 2 | 129795-01780 | SEAL, OIL | 1 | | | | | | | |
| 19 | 1 | 129486-01670 | BOLT, M8X30 | 6 | | | | | | | |
| 20 | 1 | 26106-080352 | BOLT, M8X 35 PLATED | 3 | | | | | | | |
| 21 | 1 | 26106-080502 | BOLT, M8X 50 PLATED | 4 | | | | | | | W |
| (A=FROM 1ST) | | | | | | | | | | | |

Fig.4. CYLINDER HEAD & BONNET



(A)=3TNV88-BQBV
(B)=
(C)=

(D)=
(E)=
(F)=

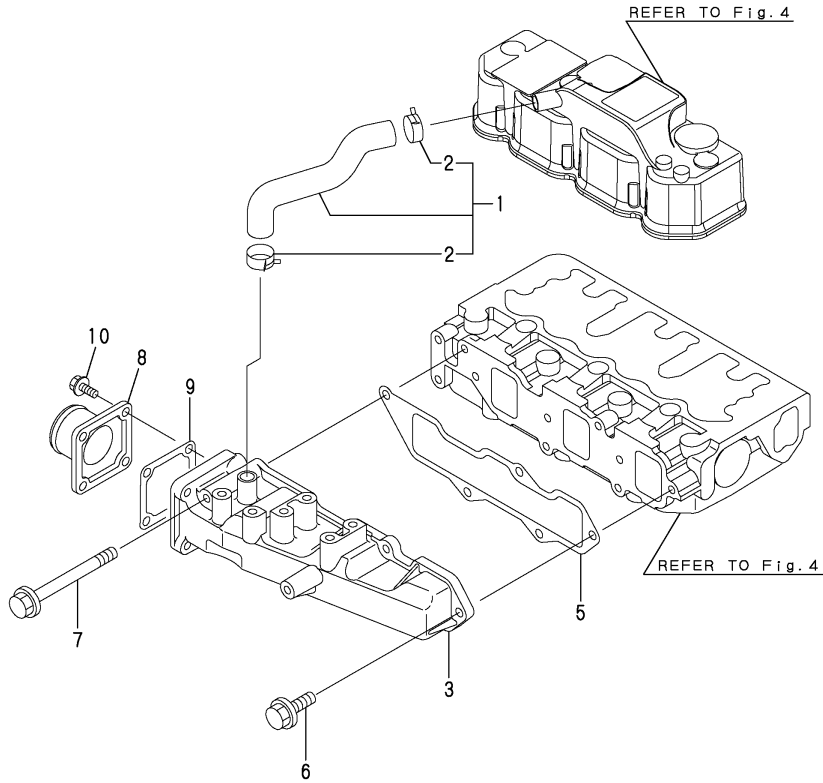
| No. | Lev. | Parts No. | Description | Q'ty | | | | | | I | R |
|-----|------|--------------|----------------------|------|-----|-----|-----|-----|-----|---|---|
| | | | | (A) | (B) | (C) | (D) | (E) | (F) | | |
| 1 | 1 | 119940-07900 | LIFTER | 1 | | | | | | | |
| 2 | 1 | 26106-080162 | BOLT, M8X 16 PLATED | 2 | | | | | | | |
| 3 | 1 | 129004-11241 | SHAFT ASSY, ROCKER | 1 | | | | | | | |
| 4 | 2 | 129004-11251 | SHAFT, ROCKER ARM | 1 | | | | | | | |
| 6 | 2 | 119802-11260 | SUPPORT, ROCKER ARM | 2 | | | | | | | |
| 7 | 2 | 119802-11270 | SUPPORT, ROCKER ARM | 2 | | | | | | | |
| 8 | 2 | 119802-11280 | STUD | 3 | | | | | | | |
| 9 | 2 | 129150-11280 | SPRING | 3 | | | | | | | |
| 10 | 2 | 129004-11650 | ARM, ROCKER | 6 | | | | | | | |
| 11 | 3 | 129150-11230 | SCREW, VALVE ADJUST | 6 | | | | | | | |
| 13 | 3 | 129150-11750 | NUT, M8 | 6 | | | | | | | |
| 14 | 1 | 129150-11370 | CAP, VALVE | 6 | | | | | | | |
| 15 | 1 | 129008-11700 | HEAD ASSY, CYLINDER | 1 | | | | | | | |
| 19 | 2 | 120130-11860 | GUIDE, VALVE | 3 | | | | | | | 1 |
| 21 | 2 | 129150-11810 | GUIDE, VALVE | 3 | | | | | | | 1 |
| 23 | 2 | 27241-400000 | PLUG, 40 | 2 | | | | | | | |
| 24 | 2 | 129005-11100 | VALVE, INTAKE | 3 | | | | | | | |
| 25 | 2 | 129100-11112 | VALVE, EXHAUST | 3 | | | | | | | |
| 26 | 2 | 129795-11120 | SPRING, VALVE | 6 | | | | | | | |
| 27 | 2 | 129795-11180 | RETAINER, SPRING | 6 | | | | | | | |
| 28 | 2 | 121400-11340 | SEAL, VALVE STEM | 3 | | | | | | | |
| 29 | 2 | 124460-11340 | SEAL, VALVE STEM | 3 | | | | | | | |
| 30 | 2 | 27310-080001 | COTTER, 8 | 6 | | | | | | | |
| 32 | 1 | 119625-11880 | SEAT, NOZZLE | 3 | | | | | | | |
| 33 | 1 | 129004-11900 | RETAINER, NOZZLE | 3 | | | | | | | |
| 34 | 1 | 120270-54410 | WASHER, INJECTOR | 3 | | | | | | | |
| 35 | 1 | 22351-060012 | PIN, SPRING 6.0X12 | 2 | | | | | | | |
| 36 | 1 | 26106-080252 | BOLT, M8X 25 PLATED | 2 | | | | | | | |
| 37 | 1 | 26106-080352 | BOLT, M8X 35 PLATED | 3 | | | | | | | |
| 38 | 1 | 26106-080502 | BOLT, M8X 50 PLATED | 6 | | | | | | | |
| 39 | 1 | 124160-01751 | COVER, FILLER | 1 | | | | | | | |
| 40 | 1 | 129004-11350 | BONNET ASSY, HEAD | 1 | | | | | | | |
| 41 | 2 | 129004-03010 | PLATE | 1 | | | | | | | |
| 42 | 2 | 129150-03070 | BAFFLE, BREATHER | 1 | | | | | | | |
| 43 | 2 | 119802-03110 | PLATE | 1 | | | | | | | |
| 44 | 2 | 119802-03121 | COVER, DIAPHRAGM | 1 | | | | | | | |
| 45 | 2 | 119802-03130 | DIAPHRAGM | 1 | | | | | | | |
| 46 | 2 | 119802-03141 | SPRING, DIAPHRAGM | 1 | | | | | | | |
| 49 | 2 | 129004-11310 | GASKET, BONNET | 1 | | | | | | | |
| 50 | 2 | 22857-500100 | SCREW, 5X10 | 4 | | | | | | | |
| 51 | 2 | 22857-500100 | SCREW, 5X10 | 4 | | | | | | | |
| 52 | 1 | 124160-11360 | KNOB | 3 | | | | | | | |
| 53 | 1 | 24311-000120 | O-RING, 1AP12.0 | 3 | | | | | | | |
| 54 | 1 | 24311-000320 | O-RING, 1AP32.0 | 1 | | | | | | | |
| 55 | 1 | 119802-11870 | PROTECTOR, NOZZLE | 3 | | | | | | | |
| 56 | 1 | 119626-07900 | LIFTER | 1 | | | | | | | |
| 57 | 1 | 26106-080142 | BOLT, M8X 14 PLATED | 2 | | | | | | | |
| 58 | 1 | 129008-77800 | PLUG, GLOW | 3 | | | | | | | |
| 59 | 1 | 129008-77820 | CONNECTOR, GLOW PLUG | 1 | | | | | | | |
| 60 | 1 | 119803-77830 | HARNES, WIRE | 1 | | | | | | | |

Remarks
(1)REPAIR PART.

Fig.5. SUCTION MANIFOLD

(A)=3TNV88-BQBV
(B)=
(C)=

(D)=
(E)=
(F)=



| No. | Lev. | Parts No. | Description | Q'ty | | | | | | I | R |
|-----|------|--------------|----------------------|------|-----|-----|-----|-----|-----|---|---|
| | | | | (A) | (B) | (C) | (D) | (E) | (F) | | |
| 1 | 1 | 129004-03080 | PIPE , BREATHER | 1 | | | | | | | |
| 2 | 2 | 129410-03990 | CLIP | 2 | | | | | | | |
| 3 | 1 | 129004-12100 | MANIFOLD, AIR INTAKE | 1 | | | | | | | |
| 5 | 1 | 129001-12110 | GASKET, MANIFOLD | 1 | | | | | | | |
| 6 | 1 | 26106-080202 | BOLT, M8X 20 PLATED | 4 | | | | | | | |
| 7 | 1 | 26106-080802 | BOLT, M8X 80 PLATED | 1 | | | | | | | |
| 8 | 1 | 129486-12581 | JOINT, MANIFOLD | 1 | | | | | | | |
| 9 | 1 | 129150-77511 | GASKET | 1 | | | | | | | |
| 10 | 1 | 26106-080202 | BOLT, M8X 20 PLATED | 4 | | | | | | | |

Fig.6. EXHAUST MANIFOLD

(A)=3TNV88-BQBV
(B)=
(C)=

(D)=
(E)=
(F)=

| No. | Lev. | Parts No. | Description | Q'ty | | | | | | I | R |
|-----|------|--------------|-------------------|------|-----|-----|-----|-----|-----|---|---|
| | | | | (A) | (B) | (C) | (D) | (E) | (F) | | |
| 1 | 1 | 129100-13110 | MANIFOLD, EXHAUST | 1 | | | | | | | |
| 2 | 1 | 129150-13110 | GASKET | 1 | | | | | | | |
| 3 | 1 | 119131-18320 | STUD, M8X22 | 4 | | | | | | | |
| 4 | 1 | 123900-13630 | BOLT, M8X80 | 4 | | | | | | | |
| 5 | 1 | 123900-13610 | STUD, M8X80 | 2 | | | | | | | |
| 6 | 1 | 26306-080002 | NUT, M8 | 2 | | | | | | | |

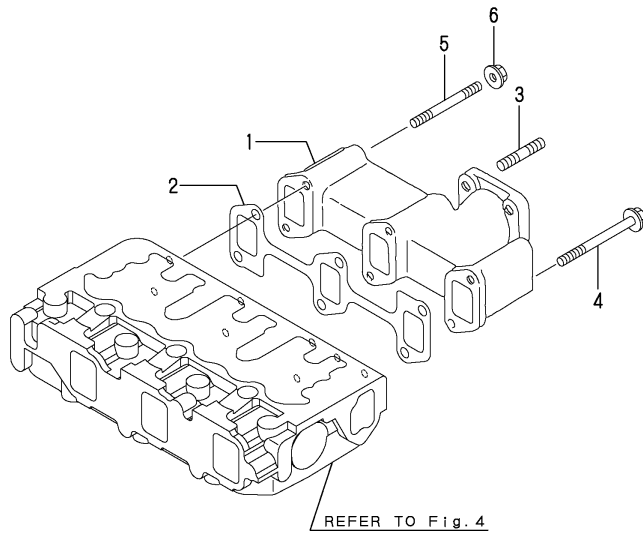
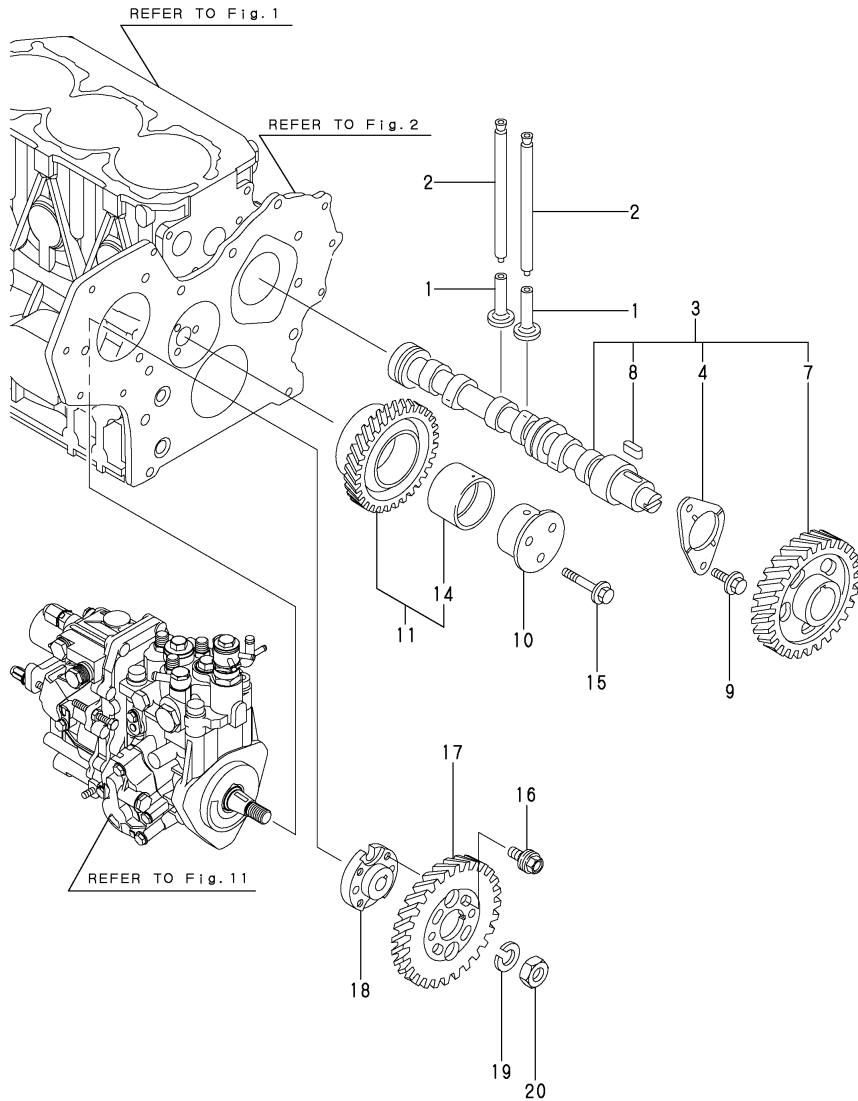


Fig.7. CAMSHAFT & DRIVING GEAR

(A)=3TNV88-BQBV
(B)=
(C)=

(D)=
(E)=
(F)=



| No. | Lev. | Parts No. | Description | Q'ty | | | | | | I | R |
|-----|------|--------------|---------------------|------|-----|-----|-----|-----|-----|---|---|
| | | | | (A) | (B) | (C) | (D) | (E) | (F) | | |
| 1 | 1 | 129150-14200 | TAPPET | 6 | | | | | | | |
| 2 | 1 | 129150-14400 | ROD, PUSH L=178 | 6 | | | | | | | |
| 3 | 1 | 129129-14580 | CAMSHAFT ASSY | 1 | | | | | | | |
| 4 | 2 | 129150-02450 | BEARING, THRUST | 1 | | | | | | | |
| 7 | 2 | 129150-14101 | GEAR, CAMSHAFT | 1 | | | | | | | |
| 8 | 2 | 22512-070140 | KEY, 7X 14 | 1 | | | | | | | |
| 9 | 1 | 26106-080142 | BOLT, M8X 14 PLATED | 2 | | | | | | | |
| 10 | 1 | 119803-25050 | SHAFT, IDLE | 1 | | | | | | | |
| 11 | 1 | 119802-25101 | GEAR ASSY, IDLE | 1 | | | | | | | |
| 14 | 2 | 119802-25071 | BUSH, IDLE GEAR | 1 | | | | | | | 1 |
| 15 | 1 | 26106-080402 | BOLT, M8X 40 PLATED | 3 | | | | | | | |
| 16 | 1 | 129150-25301 | BOLT | 4 | | | | | | | |
| 17 | 1 | 119802-25901 | GEAR, PUMP | 1 | | | | | | | |
| 18 | 1 | 158552-51151 | FLANGE | 1 | | | | | | | |
| 19 | 1 | 22217-140000 | WASHER, SPRING 14 | 1 | | | | | | | |
| 20 | 1 | 26776-140002 | NUT, LOCK M14 | 1 | | | | | | | |

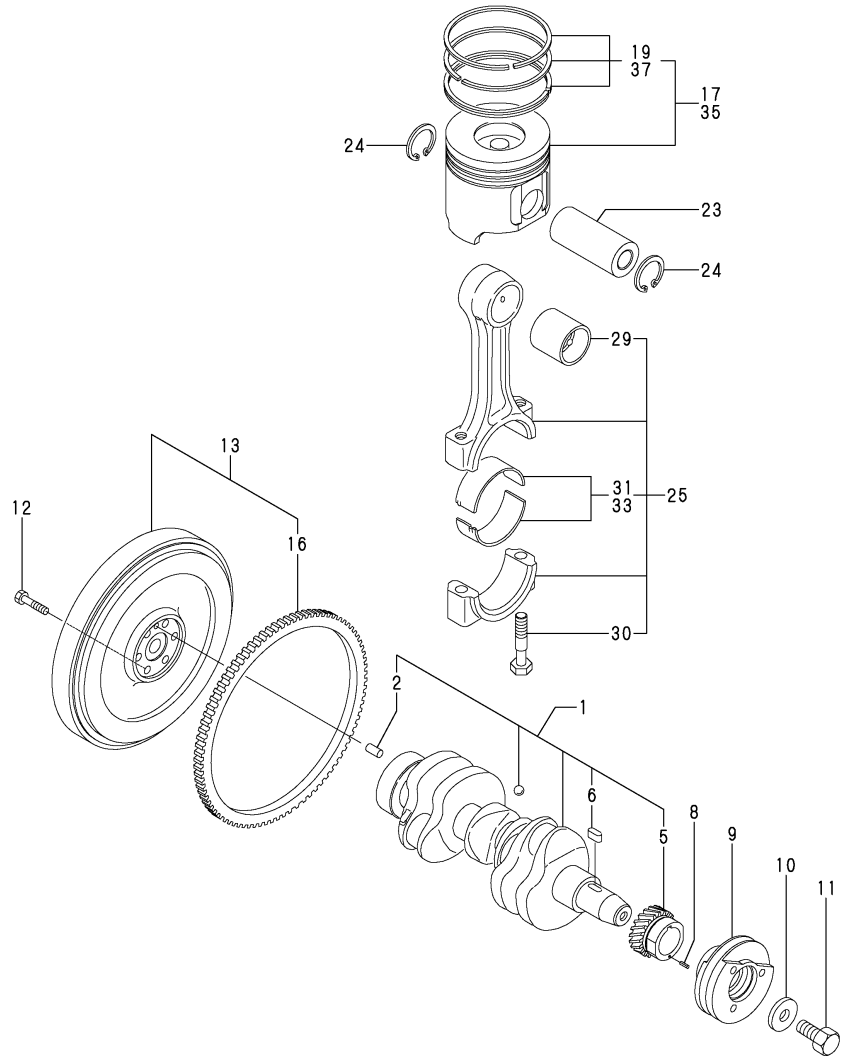
Remarks

(1)REPAIR PART.

Fig.8. CRANKSHAFT & PISTON

(A)=3TNV88-BQBV
(B)=
(C)=

(D)=
(E)=
(F)=



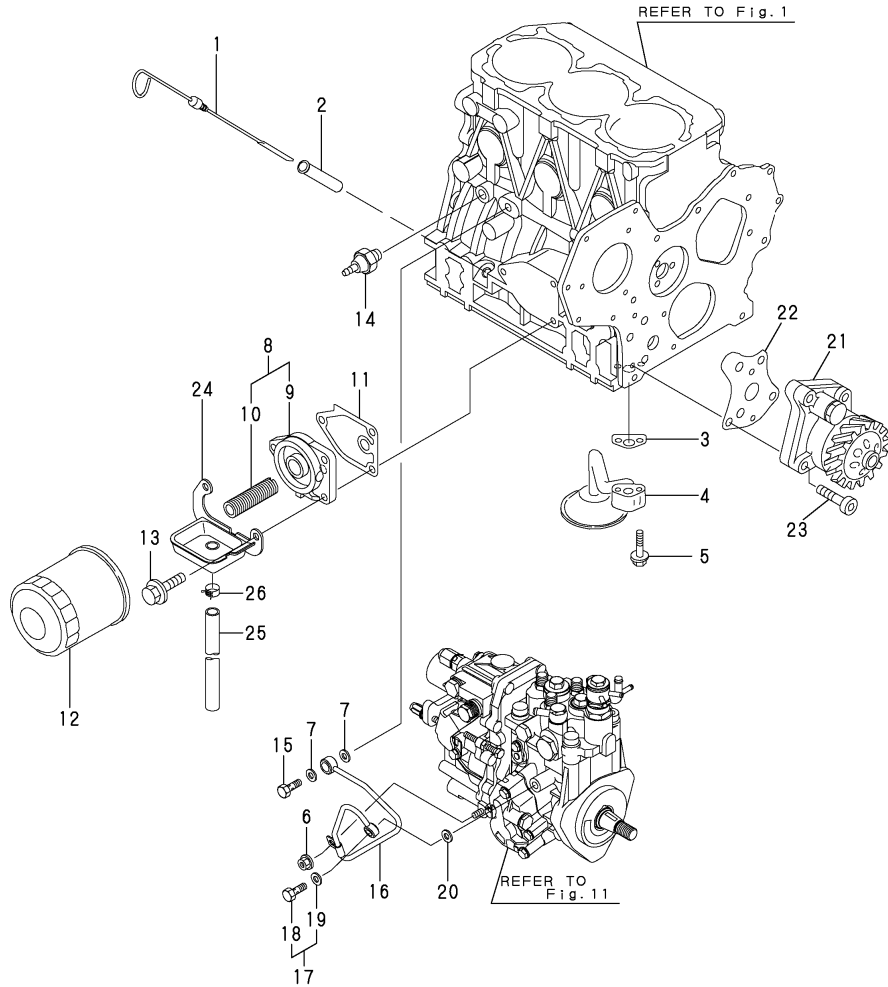
| No. | Lev. | Parts No. | Description | Q'ty | | | | | | I | R |
|-----|------|--------------|----------------------|------|-----|-----|-----|-----|-----|---|---|
| | | | | (A) | (B) | (C) | (D) | (E) | (F) | | |
| 1 | 1 | 129008-21000 | CRANKSHAFT ASSY | 1 | | | | | | | |
| 2 | 2 | 129100-01580 | PIN, M8X16 | 1 | | | | | | | |
| 5 | 2 | 119803-21200 | GEAR, CRANKSHAFT | 1 | | | | | | | |
| 6 | 2 | 22512-070140 | KEY, 7X 14 | 1 | | | | | | | |
| 8 | 1 | 22351-030010 | PIN, SPRING 3.0X10 | 1 | | | | | | | |
| 9 | 1 | 129004-21650 | V-PULLEY, 110 | 1 | | | | | | | |
| 10 | 1 | 129795-21661 | WASHER | 1 | | | | | | | |
| 11 | 1 | 121850-21680 | BOLT | 1 | | | | | | | |
| 12 | 1 | 121111-21501 | BOLT, FLYWHEEL | 6 | | | | | | | |
| 13 | 1 | 129002-21590 | FLYWHEEL ASSY | 1 | | | | | | | |
| 16 | 2 | 119865-21600 | GEAR, RING | 1 | | | | | | | |
| 17 | 1 | 129005-22080 | PISTON ASSY | 3 | | | | | | | |
| 19 | 2 | 129005-22500 | RING SET, PISTON | 3 | | | | | | | |
| 23 | 1 | 129202-22300 | PIN, PISTON D26 L70 | 3 | | | | | | | |
| 24 | 1 | 22252-000260 | RING, 26 | 6 | | | | | | | |
| 25 | 1 | 729402-23100 | ROD ASSY, CONNECTING | 3 | | | | | | | |
| 29 | 2 | 129100-23910 | BEARING, PISTON PIN | 3 | | | | | | | 1 |
| 30 | 2 | 121550-23200 | BOLT, CONNECTING ROD | 6 | | | | | | | |
| 31 | 2 | 129150-23601 | BEARING, CRANK PIN | 3 | | | | | | | 1 |
| 33 | 1 | 129150-23611 | BEARING, 0.25 US | 3 | | | | | | | 2 |
| 35 | 1 | 129005-22900 | PISTON ASSY, 0.25 OS | 3 | | | | | | | 3 |
| 37 | 2 | 129005-22950 | RING SET, 0.25 OS | 3 | | | | | | | 3 |

Remarks
 (1)REPAIR PART.
 (2)UNDER SIZED(U.S.=0.25)PART.
 (3)OVER SIZED(O.S.=0.25)PART.

Fig.9. LUB.OIL SYSTEM

(A)=3TNV88-BQBV
(B)=
(C)=

(D)=
(E)=
(F)=



| No. | Lev. | Parts No. | Description | Q'ty | | | | | | I | R |
|-----|------|--------------|----------------------|------|-----|-----|-----|-----|-----|---|---|
| | | | | (A) | (B) | (C) | (D) | (E) | (F) | | |
| 1 | 1 | 129004-34802 | DIPSTICK, OIL | 1 | | | | | | | |
| 2 | 1 | 121520-34810 | GUIDE, DIPSTICK | 1 | | | | | | | |
| 3 | 1 | 129150-35042 | GASKET | 1 | | | | | | | |
| 4 | 1 | 129100-35301 | PIPE ASSY, OIL INLET | 1 | | | | | | | |
| 5 | 1 | 26106-080352 | BOLT, M8X 35 PLATED | 2 | | | | | | | |
| 6 | 1 | 26366-060002 | NUT, M6 | 1 | | | | | | | |
| 7 | 1 | 22190-100002 | WASHER, SEAL 10 | 2 | | | | | | | |
| 8 | 1 | 119802-35100 | BRACKET ASSY, FILTER | 1 | | | | | | | |
| 9 | 2 | 119802-35110 | BRACKET, FILTER | 1 | | | | | | | |
| 10 | 2 | 129100-35140 | STUD | 1 | | | | | | | |
| 11 | 1 | 129150-35111 | GASKET | 1 | | | | | | | |
| 12 | 1 | 129150-35170 | FILTER,LO | 1 | | | | | | | 1 |
| 13 | 1 | 26106-080202 | BOLT, M8X 20 PLATED | 3 | | | | | | | |
| 14 | 1 | 114250-39450 | SWITCH, 0.5KG | 1 | | | | | | | |
| 15 | 1 | 124160-39140 | BOLT, PIPE JOINT M10 | 1 | | | | | | | |
| 16 | 1 | 119802-39450 | PIPE ASSY, OIL | 1 | | | | | | | |
| 17 | 1 | 129005-59830 | BOLT ASSY, JOINT M8 | 1 | | | | | | | |
| 18 | 2 | 23857-030000 | BOLT, JOINT 3 | 1 | | | | | | | |
| 19 | 2 | 22190-080002 | WASHER, SEAL 6 | 1 | | | | | | | |
| 20 | 1 | 22190-080002 | WASHER, SEAL 6 | 1 | | | | | | | |
| 21 | 1 | 129001-32001 | PUMP ASSY, OIL | 1 | | | | | | | |
| 22 | 1 | 129150-32020 | GASKET, PUMP | 1 | | | | | | | |
| 23 | 1 | 26450-060252 | BOLT, M6X 25 | 4 | | | | | | | |
| 24 | 1 | 129240-35800 | OIL PAN | 1 | | | | | | | |
| 25 | 1 | 23065-120230 | PIPE, 12X 230 | 1 | | | | | | | |
| 26 | 1 | 23080-014000 | CLAMP, 14 | 1 | | | | | | | |

Remarks

(1)REPAIR PART.

N:Old $\begin{matrix} \leftarrow \text{Yes} \\ \text{No} \end{matrix}$ New, Q:Old $\begin{matrix} \leftarrow \text{No} \\ \text{Yes} \end{matrix}$ New, R:Old $\begin{matrix} \leftarrow \text{Yes} \\ \text{Yes} \end{matrix}$ New, S:Old $\begin{matrix} \leftarrow \text{No} \\ \text{No} \end{matrix}$ New, W:Add, Z:Discontinued, F:Interchangeable by set, K:Q'ty Change

Fig.10. COOLING WATER SYSTEM

(A)=3TNV88-BQBV

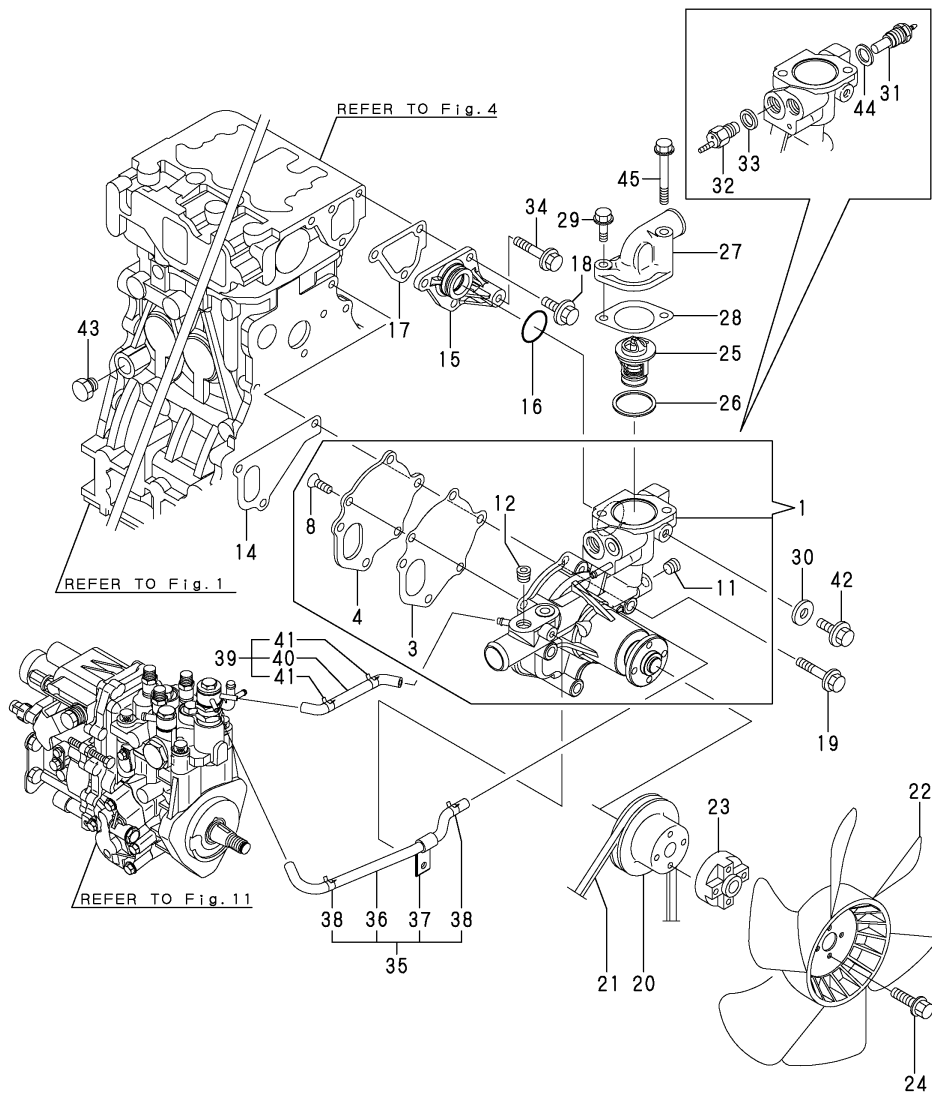
(B)=

(C)=

(D)=

(E)=

(F)=



| No. | Lev. | Parts No. | Description | Q'ty | | | | | | I | R |
|-----|------|--------------|----------------------|------|-----|-----|-----|-----|-----|---|---|
| | | | | (A) | (B) | (C) | (D) | (E) | (F) | | |
| 1 | 1 | 129004-42001 | PUMP ASSY, WATER | 1 | | | | | | | |
| 3 | 2 | 129100-42051 | GASKET, WATER PUMP | 1 | | | | | | | |
| 4 | 2 | 129100-42121 | PLATE | 1 | | | | | | | |
| 8 | 2 | 121850-42410 | SCREW | 3 | | | | | | | |
| 11 | 2 | 23876-010000 | PLUG, R01 | 1 | | | | | | | |
| 12 | 2 | 23876-020000 | PLUG, R02 | 1 | | | | | | | |
| 14 | 1 | 129486-42021 | GASKET, WATER PUMP | 1 | | | | | | | |
| 15 | 1 | 129004-42040 | JOINT | 1 | | | | | | | |
| 16 | 1 | 129486-42140 | O-RING, G30 | 1 | | | | | | | |
| 17 | 1 | 124395-49840 | GASKET | 1 | | | | | | | |
| 18 | 1 | 26106-080162 | BOLT, M8X 16 PLATED | 3 | | | | | | | |
| 19 | 1 | 26106-080602 | BOLT, M8X 60 PLATED | 3 | | | | | | | |
| 20 | 1 | 129556-42350 | V-PULLEY, 96 | 1 | | | | | | | |
| 21 | 1 | 119831-42290 | V-BELT, A37.5 | 1 | | | | | | | |
| 22 | 1 | 119831-44740 | FAN, COOLING D322XUC | 1 | | | | | | | |
| 23 | 1 | 121267-44760 | SPACER | 1 | | | | | | | |
| 24 | 1 | 26106-060302 | BOLT, M6X 30 PLATED | 4 | | | | | | | |
| 25 | 1 | 129155-49801 | THERMOSTAT, 71 | 1 | | | | | | | |
| 26 | 1 | 129150-49811 | GASKET, THERMOSTAT | 1 | | | | | | | |
| 27 | 1 | 124101-49531 | COVER, THERMOSTAT | 1 | | | | | | | |
| 28 | 1 | 129795-49551 | GASKET | 1 | | | | | | | |
| 29 | 1 | 26106-080252 | BOLT, M8X 25 PLATED | 1 | | | | | | | |
| 30 | 1 | 23414-080000 | GASKET, 8X1.0 | 1 | | | | | | | |
| 31 | 1 | 171056-49351 | SENSOR | 1 | | | | | | | |
| 32 | 1 | 121250-44901 | SWITCH, 110 | 1 | | | | | | | |
| 33 | 1 | 124465-44950 | GASKET, 16 | 1 | | | | | | | |
| 34 | 1 | 26106-080452 | BOLT, M8X 45 PLATED | 1 | | | | | | | |
| 35 | 1 | 129004-49610 | PIPE ASSY, WATER | 1 | | | | | | | |
| 36 | 2 | 129004-49711 | PIPE ASSY, WATER | 1 | | | | | | | |
| 37 | 2 | 119802-49730 | RETAINER, PIPE | 1 | | | | | | | |
| 38 | 2 | 124722-59050 | CLIP, HOSE 9 | 2 | | | | | | | |
| 39 | 1 | 129004-49620 | PIPE ASSY, WATER | 1 | | | | | | | |
| 40 | 2 | 129004-49721 | PIPE ASSY, WATER | 1 | | | | | | | |
| 41 | 2 | 124722-59050 | CLIP, HOSE 9 | 2 | | | | | | | |
| 42 | 1 | 26106-080122 | BOLT, M8X 12 PLATED | 1 | | | | | | | |
| 43 | 1 | 171056-49120 | PLUG, DRAIN | 1 | | | | | | | |
| 44 | 1 | 129150-49360 | GASKET | 1 | | | | | | | |
| 45 | 1 | 26106-080652 | BOLT, M8X 65 PLATED | 1 | | | | | | | |

Fig.11. FUEL INJECTION PUMP

(A)=3TNV88-BQBV

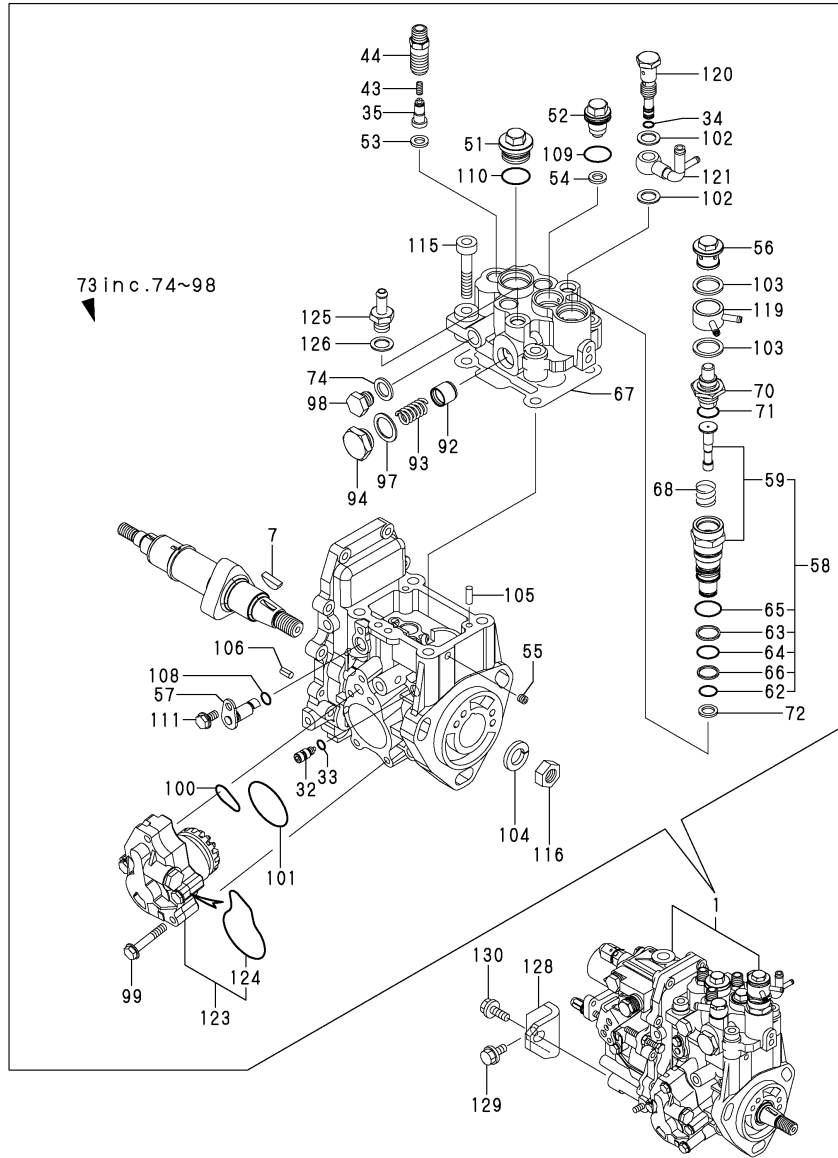
(B)=

(C)=

(D)=

(E)=

(F)=



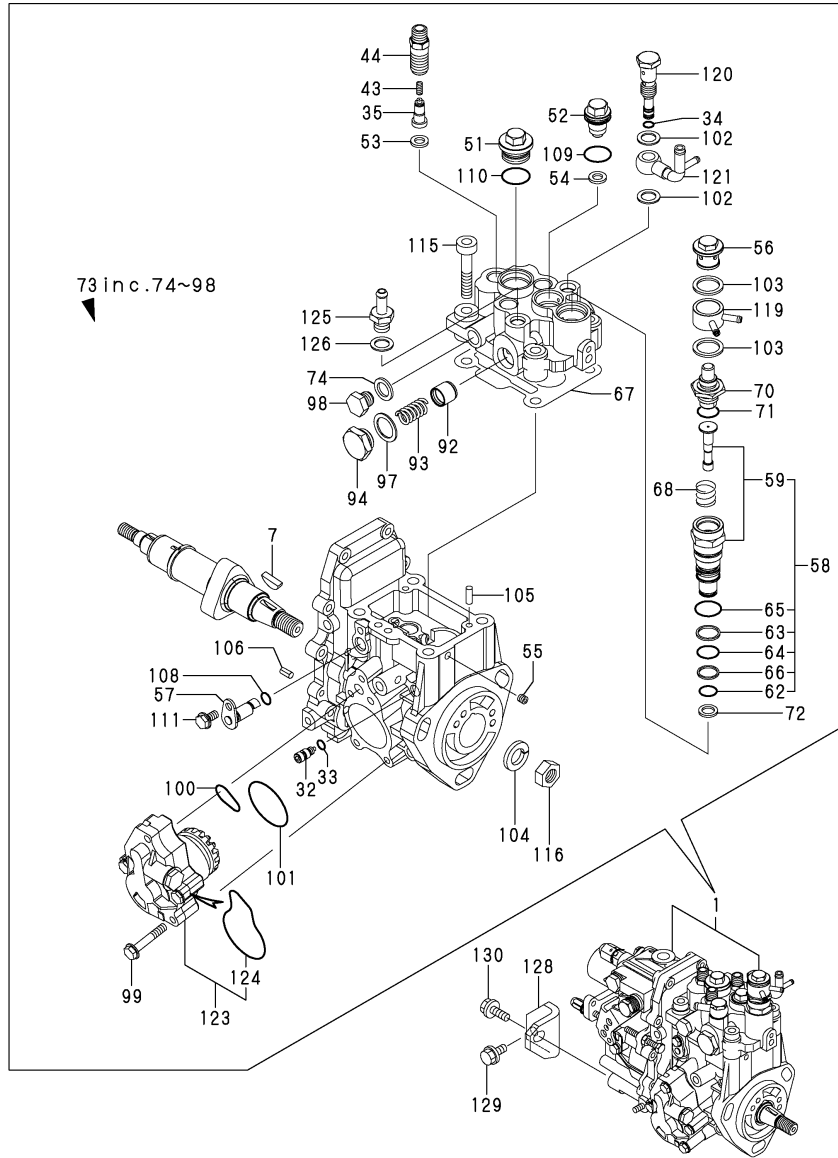
| No. | Lev. | Parts No. | Description | Q'ty | | | | | | I | R |
|-----|------|--------------|----------------------|------|-----|-----|-----|-----|-----|---|---|
| | | | | (A) | (B) | (C) | (D) | (E) | (F) | | |
| 1 | 1 | 729236-51400 | PUMP ASSY, INJECTION | 1 | | | | | | | 1 |
| 7 | 3 | 119802-51090 | KEY, 4X16 | 1 | | | | | | | |
| 32 | 3 | 158600-51270 | STOPPER, TAPPET | 1 | | | | | | | |
| 33 | 3 | 158563-51281 | O-RING, 4D S6 | 1 | | | | | | | |
| 34 | 3 | 158563-51281 | O-RING, 4D S6 | 1 | | | | | | | |
| 35 | 3 | 129008-51300 | VALVE ASSY, DELIVERY | 3 | | | | | | | |
| 43 | 3 | 158563-51330 | SPRING, DELIVERY | 3 | | | | | | | |
| 44 | 3 | 129008-51340 | HOLDER, DELIVERY | 3 | | | | | | | |
| 51 | 3 | 158601-51550 | PLUG | 1 | | | | | | | |
| 52 | 3 | 119802-51560 | PLUG, BARREL | 1 | | | | | | | |
| 53 | 3 | 158552-51570 | GASKET | 3 | | | | | | | |
| 54 | 3 | 158552-51570 | GASKET | 1 | | | | | | | |
| 55 | 3 | 158557-51570 | PLUG | 1 | | | | | | | |
| 56 | 3 | 158601-51570 | PLUG | 1 | | | | | | | |
| 57 | 3 | 158552-51580 | LIFTER | 1 | | | | | | | |
| 58 | 3 | 119802-51590 | TIMER SET | 1 | | | | | | | |
| 59 | 4 | 119802-51600 | TIMER ASSY | 1 | | | | | | | |
| 62 | 4 | 158553-51670 | O-RING, 1011 | 1 | | | | | | | |
| 63 | 4 | 119802-51680 | RING, BACK UP | 1 | | | | | | | |
| 64 | 4 | 119802-51690 | O-RING | 1 | | | | | | | |
| 65 | 4 | 24356-010200 | O-RING, 4D1020 | 1 | | | | | | | |
| 66 | 4 | 24372-000150 | RING, BACK UP T2P15 | 1 | | | | | | | |
| 67 | 3 | 158552-51600 | GASKET | 1 | | | | | | | |
| 68 | 3 | 158553-51630 | SPRING, TIMER | 1 | | | | | | | |
| 70 | 3 | 158553-51640 | ELEMENT | 1 | | | | | | | |
| 71 | 3 | 158553-51660 | O-RING, P14 | 1 | | | | | | | |
| 72 | 3 | 158553-51680 | GASKET | 1 | | | | | | | |
| 73 | 3 | 129008-51740 | HEAD ASSY | 1 | | | | | | | |
| 74 | 4 | 22190-120002 | WASHER, SEAL 12 | 1 | | | | | | | |
| 92 | 4 | 158601-51770 | PISTON | 1 | | | | | | | |
| 93 | 4 | 158552-51781 | SPRING | 1 | | | | | | | |
| 94 | 4 | 158601-51790 | PLUG | 1 | | | | | | | |
| 97 | 4 | 22190-180002 | WASHER, SEAL 18 | 1 | | | | | | | |
| 98 | 4 | 23887-120002 | PLUG, 12 | 1 | | | | | | | |
| 99 | 3 | 158553-51770 | BOLT | 4 | | | | | | | |
| 100 | 3 | 158552-52310 | O-RING | 1 | | | | | | | |
| 101 | 3 | 158552-52400 | O-RING, 4E S42 | 1 | | | | | | | |
| 102 | 3 | 22190-120002 | WASHER, SEAL 12 | 2 | | | | | | | |
| 103 | 3 | 22190-180002 | WASHER, SEAL 18 | 2 | | | | | | | |
| 104 | 3 | 22217-140000 | WASHER, SPRING 14 | 1 | | | | | | | |
| 105 | 3 | 22312-050140 | PIN, PARALLEL M5X14 | 2 | | | | | | | |
| 106 | 3 | 22351-050010 | PIN, SPRING 5.0X10 | 2 | | | | | | | |
| 108 | 3 | 24311-000070 | O-RING, 1AP7.0 | 1 | | | | | | | |
| 109 | 3 | 24356-010180 | O-RING, 4D1018 | 1 | | | | | | | |
| 110 | 3 | 24356-010200 | O-RING, 4D1020 | 1 | | | | | | | |
| 111 | 3 | 26106-060102 | BOLT, M6X 10 PLATED | 1 | | | | | | | |
| 115 | 3 | 26450-080452 | BOLT, M8X 45 | 4 | | | | | | | |
| 116 | 3 | 26776-140002 | NUT, LOCK M14 | 1 | | | | | | | |
| 119 | 2 | 158553-51551 | JOINT | 1 | | | | | | | |
| 120 | 2 | 158601-51650 | JOINT, OVER FLOW | 1 | | | | | | | |
| 121 | 2 | 158552-51670 | JOINT, OVER FLOW | 1 | | | | | | | |

Remarks
 (1)GOVERNOR ASSY(FIG.12) IS
 INCORPORATED IN THIS FOP.CMP
 (REF.NO.1).

Fig.11. FUEL INJECTION PUMP

(A)=3TNV88-BQBV
(B)=
(C)=

(D)=
(E)=
(F)=



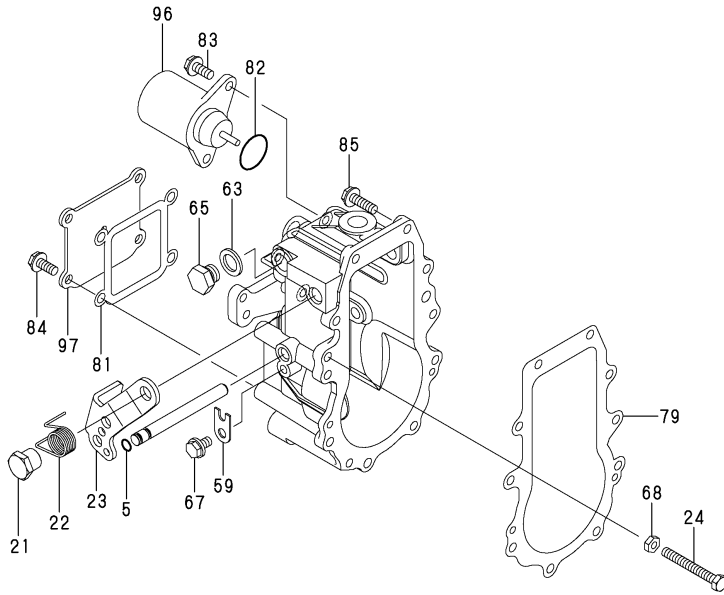
| No. | Lev. | Parts No. | Description | Q'ty | | | | | | I | R |
|-----|------|--------------|----------------------|------|-----|-----|-----|-----|-----|---|---|
| | | | | (A) | (B) | (C) | (D) | (E) | (F) | | |
| 123 | 2 | 158552-52100 | PUMP ASSY, FUEL FEED | 1 | | | | | | | |
| 124 | 3 | 158552-52500 | O-RING | 1 | | | | | | | |
| 125 | 2 | 119934-59910 | JOINT, PIPE | 1 | | | | | | | |
| 126 | 2 | 22190-120002 | WASHER, SEAL 12 | 1 | | | | | | | |
| 128 | 1 | 119802-51250 | RETAINER, PUMP | 1 | | | | | | | |
| 129 | 1 | 26106-080162 | BOLT, M8X 16 PLATED | 1 | | | | | | | |
| 130 | 1 | 26106-080202 | BOLT, M8X 20 PLATED | 1 | | | | | | | |

Remarks
(1)GOVERNOR ASSY(FIG.12) IS
INCORPORATED IN THIS FOP.CMP
(REF.NO.1).

Fig.12. GOVERNOR

(A)=3TNV88-BQBV
(B)=
(C)=

(D)=
(E)=
(F)=



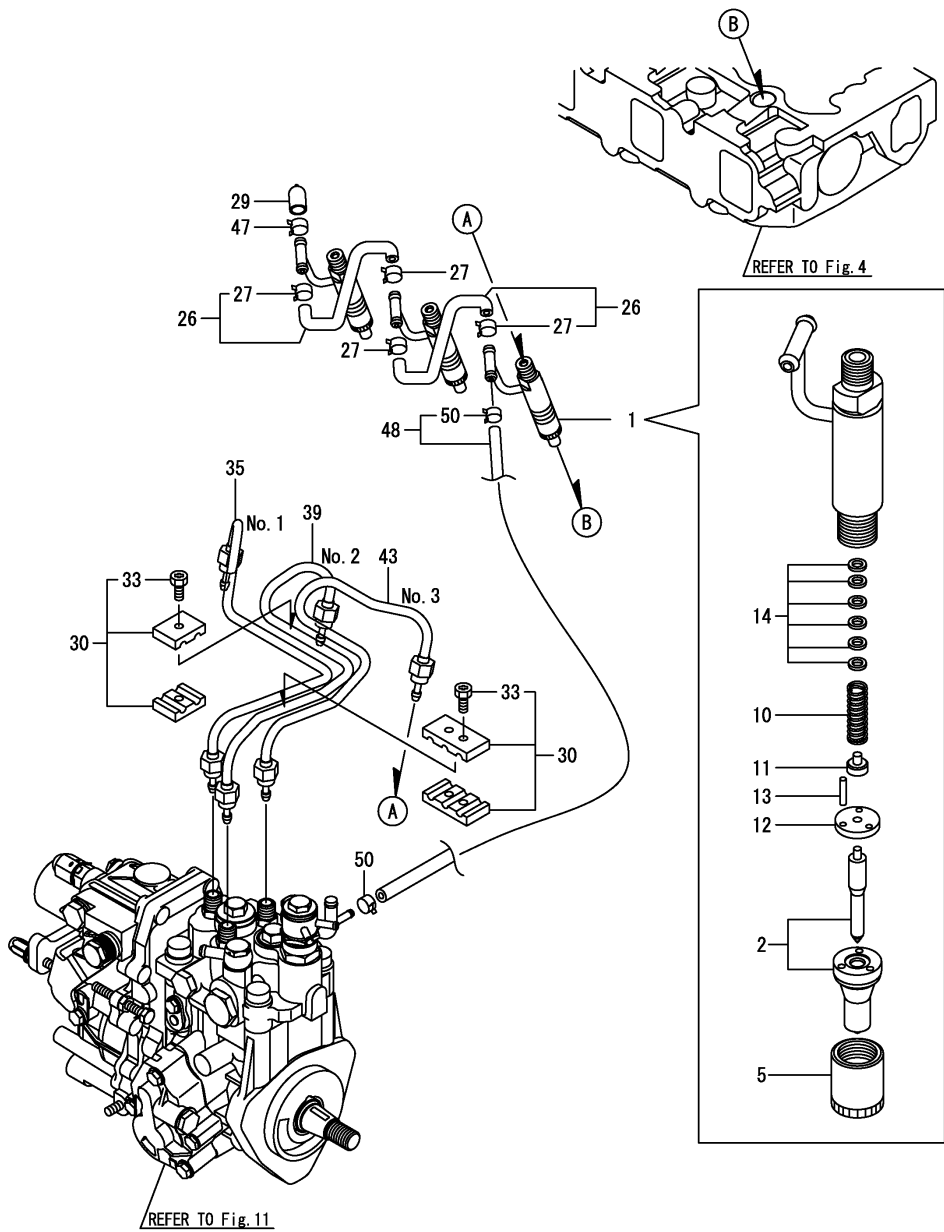
| No. | Lev. | Parts No. | Description | Q'ty | | | | | | I | R |
|-----|------|--------------|----------------------|------|-----|-----|-----|-----|-----|---|---|
| | | | | (A) | (B) | (C) | (D) | (E) | (F) | | |
| 5 | 4 | 129155-51280 | O-RING, S6 | 1 | | | | | | | |
| 21 | 4 | 129255-61410 | NUT, LOCK | 1 | | | | | | | |
| 22 | 4 | 119807-61420 | SPRING, RETURN | 1 | | | | | | | |
| 23 | 4 | 158552-61441 | LEVER, REGULATOR | 1 | | | | | | | |
| 24 | 4 | 129155-61460 | BOLT, IDLE | 1 | | | | | | | |
| 59 | 4 | 119660-61901 | RETAINER, SHAFT | 1 | | | | | | | |
| 63 | 4 | 22190-120000 | WASHER, SEAL 12 | 1 | | | | | | | |
| 65 | 4 | 23887-120002 | PLUG, 12 | 1 | | | | | | | |
| 67 | 4 | 26106-060102 | BOLT, M6X 10 PLATED | 1 | | | | | | | |
| 68 | 4 | 26756-060002 | NUT, LOCK M6 | 1 | | | | | | | |
| 79 | 3 | 158553-61050 | GASKET | 1 | | | | | | | |
| 81 | 3 | 158553-61070 | GASKET | 1 | | | | | | | |
| 82 | 3 | 158552-61900 | O-RING | 1 | | | | | | | |
| 83 | 3 | 26106-060142 | BOLT, M6X 14 PLATED | 2 | | | | | | | |
| 84 | 3 | 26106-060142 | BOLT, M6X 14 PLATED | 4 | | | | | | | |
| 85 | 3 | 26106-060202 | BOLT, M6X 20 PLATED | 10 | | | | | | | |
| 96 | 2 | 119233-77932 | SOLENOID, STOP | 1 | | | | | | | |
| 97 | 2 | 129642-61060 | COVER, GOVERNOR CASE | 1 | | | | | | | |

Remarks
*THIS FIGURE(GOVERNOR ASSY)IS
INCORPORATED IN THE FUEL INJECTION
PUMP ASSY(FIG.11).

Fig.13. FUEL INJECTION VALVE

(A)=3TNV88-BQBV
(B)=
(C)=

(D)=
(E)=
(F)=

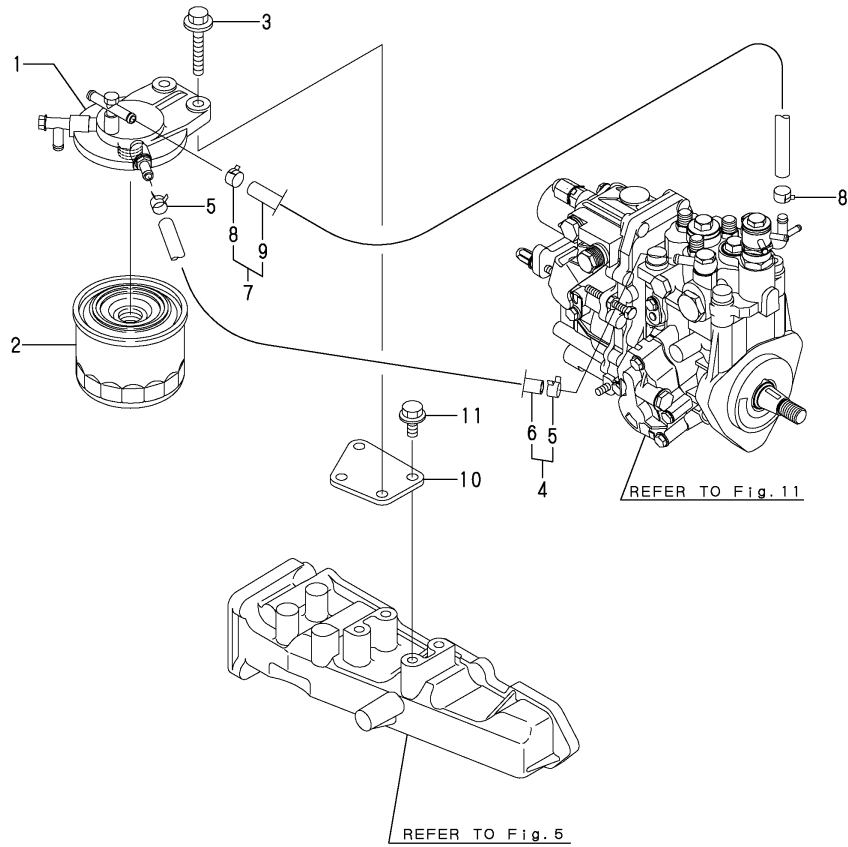


| No. | Lev. | Parts No. | Description | Q'ty | | | | | | I | R |
|-----|------|--------------|----------------------|------|-----|-----|-----|-----|-----|---|---|
| | | | | (A) | (B) | (C) | (D) | (E) | (F) | | |
| 1 | 1 | 729236-53100 | VALVE ASSY,INJECTION | 3 | | | | | | | |
| 2 | 2 | 129236-53000 | VALVE ASSY,INJECTION | 3 | | | | | | | |
| 5 | 2 | 114250-53080 | NUT, NOZZLE D16.95 | 3 | | | | | | | |
| 10 | 2 | 114250-53120 | SPRING, NOZZLE | 3 | | | | | | | |
| 11 | 2 | 114250-53130 | SEAT, SPRING | 3 | | | | | | | |
| 12 | 2 | 114250-53140 | PLATE | 3 | | | | | | | |
| 13 | 2 | 114250-53210 | PIN | 6 | | | | | | | |
| 14 | 2 | 119803-53400 | SHIM SET | 3 | | | | | | | |
| 26 | 1 | 129486-59551 | PIPE ASSY, RETURN | 2 | | | | | | | |
| 27 | 2 | 124722-59050 | CLIP, HOSE 9 | 4 | | | | | | | |
| 29 | 1 | 119593-59581 | CAP | 1 | | | | | | | |
| 30 | 1 | 129150-59120 | RETAINER, PIPE | 2 | | | | | | | |
| 33 | 2 | 129150-59131 | BOLT, M4X14 | 4 | | | | | | | |
| 35 | 1 | 129004-59811 | PIPE ASSY, INJECTION | 1 | | | | | | | |
| 39 | 1 | 129004-59821 | PIPE ASSY, INJECTION | 1 | | | | | | | |
| 43 | 1 | 129004-59831 | PIPE ASSY, INJECTION | 1 | | | | | | | |
| 47 | 1 | 124060-77680 | CLIP, HOSE 10 | 1 | | | | | | | |
| 48 | 1 | 119802-59550 | PIPE ASSY, RETURN | 1 | | | | | | | |
| 50 | 2 | 124722-59050 | CLIP, HOSE 9 | 2 | | | | | | | |

Fig.14. FUEL LINE

(A)=3TNV88-BQBV
(B)=
(C)=

(D)=
(E)=
(F)=



| No. | Lev. | Parts No. | Description | Q'ty | | | | | | I | R |
|-----|------|--------------|---------------------|------|-----|-----|-----|-----|-----|---|---|
| | | | | (A) | (B) | (C) | (D) | (E) | (F) | | |
| 1 | 1 | 129004-55612 | BRACKET, FILTER | 1 | | | | | | | |
| 2 | 1 | 119802-55810 | FILTER,FO | 1 | | | | | | | |
| 3 | 1 | 26106-080302 | BOLT, M8X 30 PLATED | 2 | | | | | | | |
| 4 | 1 | 129210-59030 | PIPE ASSY, FUEL | 1 | | | | | | | |
| 5 | 2 | 124766-59050 | CLIP, HOSE 12 | 2 | | | | | | | |
| 6 | 2 | 129150-59511 | PIPE, FUEL | 1 | | | | | | | |
| 7 | 1 | 129210-59050 | PIPE ASSY, FUEL | 1 | | | | | | | |
| 8 | 2 | 124766-59050 | CLIP, HOSE 12 | 2 | | | | | | | |
| 9 | 2 | 105312-59510 | PIPE, FUEL | 1 | | | | | | | |
| 10 | 1 | 129642-55901 | BRACKET, FILTER | 1 | | | | | | | |
| 11 | 1 | 26106-080182 | BOLT, M8X 18 PLATED | 2 | | | | | | | |

Fig.15. STARTING MOTOR

(A)=3TNV88-BQBV

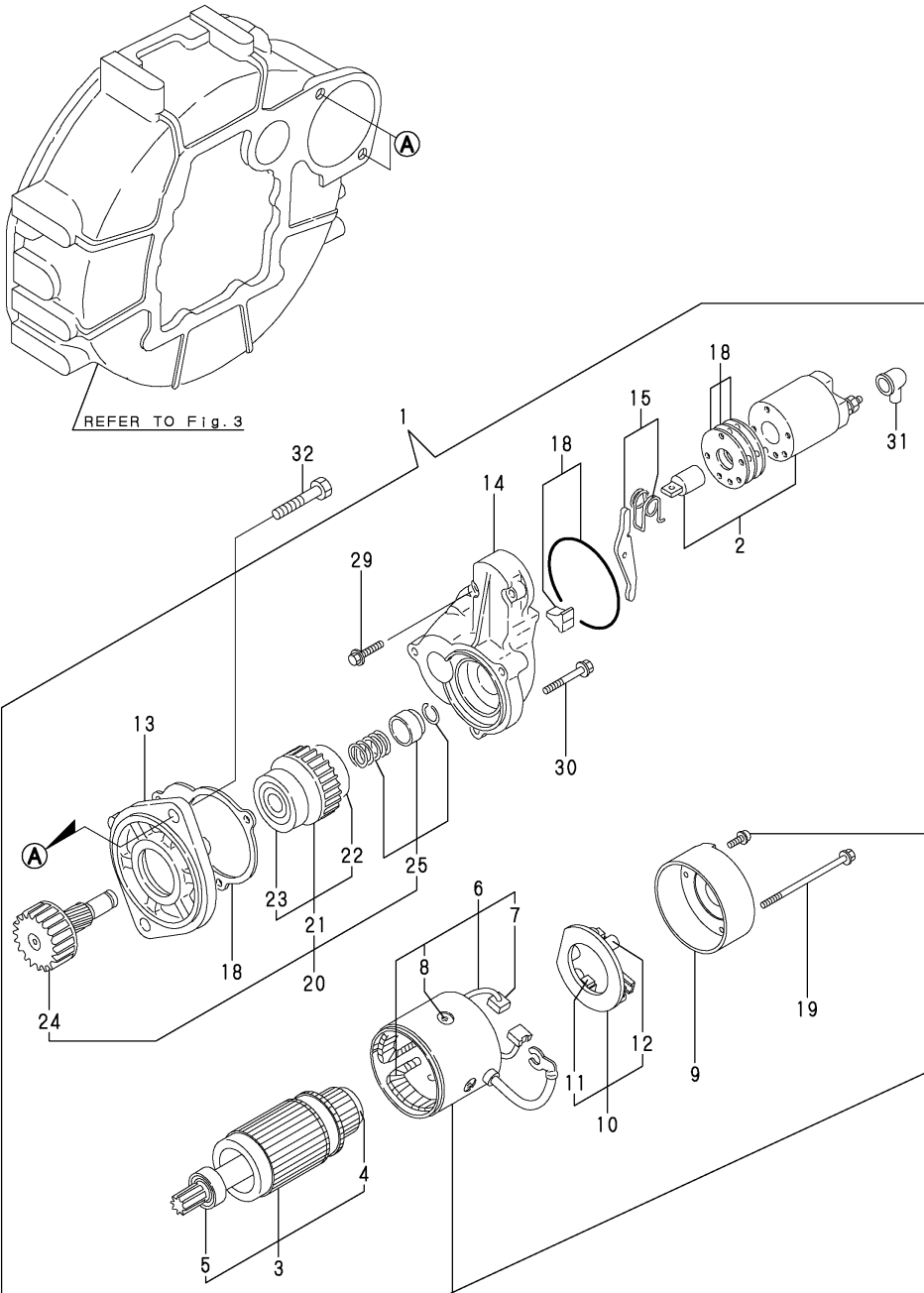
(B)=

(C)=

(D)=

(E)=

(F)=



| No. | Lev. | Parts No. | Description | Q'ty | | | | | | I | R |
|-----|------|--------------|----------------------|------|-----|-----|-----|-----|-----|---|---|
| | | | | (A) | (B) | (C) | (D) | (E) | (F) | | |
| 1 | 1 | 129136-77011 | STARTER | 1 | | | | | | | |
| 2 | 2 | 129136-77310 | SWITCH ASSY | 1 | | | | | | | |
| 3 | 2 | 129900-77400 | ARMATURE ASSY | 1 | | | | | | | |
| 4 | 3 | X2130350900 | BEARING, BALL | 1 | | | | | | | |
| 5 | 3 | X2114255110 | BEARING, BALL | 1 | | | | | | | |
| 6 | 2 | 129900-77440 | COIL ASSY, FIELD | 1 | | | | | | | |
| 7 | 3 | 129900-77450 | BRUSH | 2 | | | | | | | |
| 8 | 3 | 171008-77450 | SCREW | 4 | | | | | | | |
| 9 | 2 | 129900-77460 | COVER | 1 | | | | | | | |
| 10 | 2 | 129900-77480 | HOLDER ASSY, BRUSH | 1 | | | | | | | |
| 11 | 3 | 129900-77450 | BRUSH | 2 | | | | | | | |
| 12 | 3 | 129400-77490 | SPRING | 4 | | | | | | | |
| 13 | 2 | 171008-77510 | CASE, GEAR | 1 | | | | | | | |
| 14 | 2 | 129136-77520 | HOUSING | 1 | | | | | | | |
| 15 | 2 | 171008-77540 | LEVER SET | 1 | | | | | | | |
| 18 | 2 | 129400-77571 | COVER ASSY, DUST | 1 | | | | | | | |
| 19 | 2 | 129900-77640 | BOLT, THROUGH | 2 | | | | | | | |
| 20 | 2 | 171008-77650 | PINION ASSY | 1 | | | | | | | |
| 21 | 3 | X2114555500 | CLUTCH ASSY | 1 | | | | | | | |
| 22 | 4 | X2114955020 | BEARING, BALL | 1 | | | | | | | |
| 23 | 4 | X2240410100 | BEARING, BALL | 1 | | | | | | | |
| 24 | 3 | 171008-77660 | SHAFT | 1 | | | | | | | |
| 25 | 3 | 171008-77670 | STOPPER SET | 1 | | | | | | | |
| 29 | 2 | 26106-060322 | BOLT, M6X 32 PLATED | 2 | | | | | | | |
| 30 | 2 | 26106-060402 | BOLT, M6X 40 PLATED | 3 | | | | | | | |
| 31 | 2 | 171008-77750 | COVER | 1 | | | | | | | |
| 32 | 1 | 26116-120252 | BOLT, M12X 25 PLATED | 2 | | | | | | | |

Fig.16. GENERATOR

(A)=3TNV88-BQBV

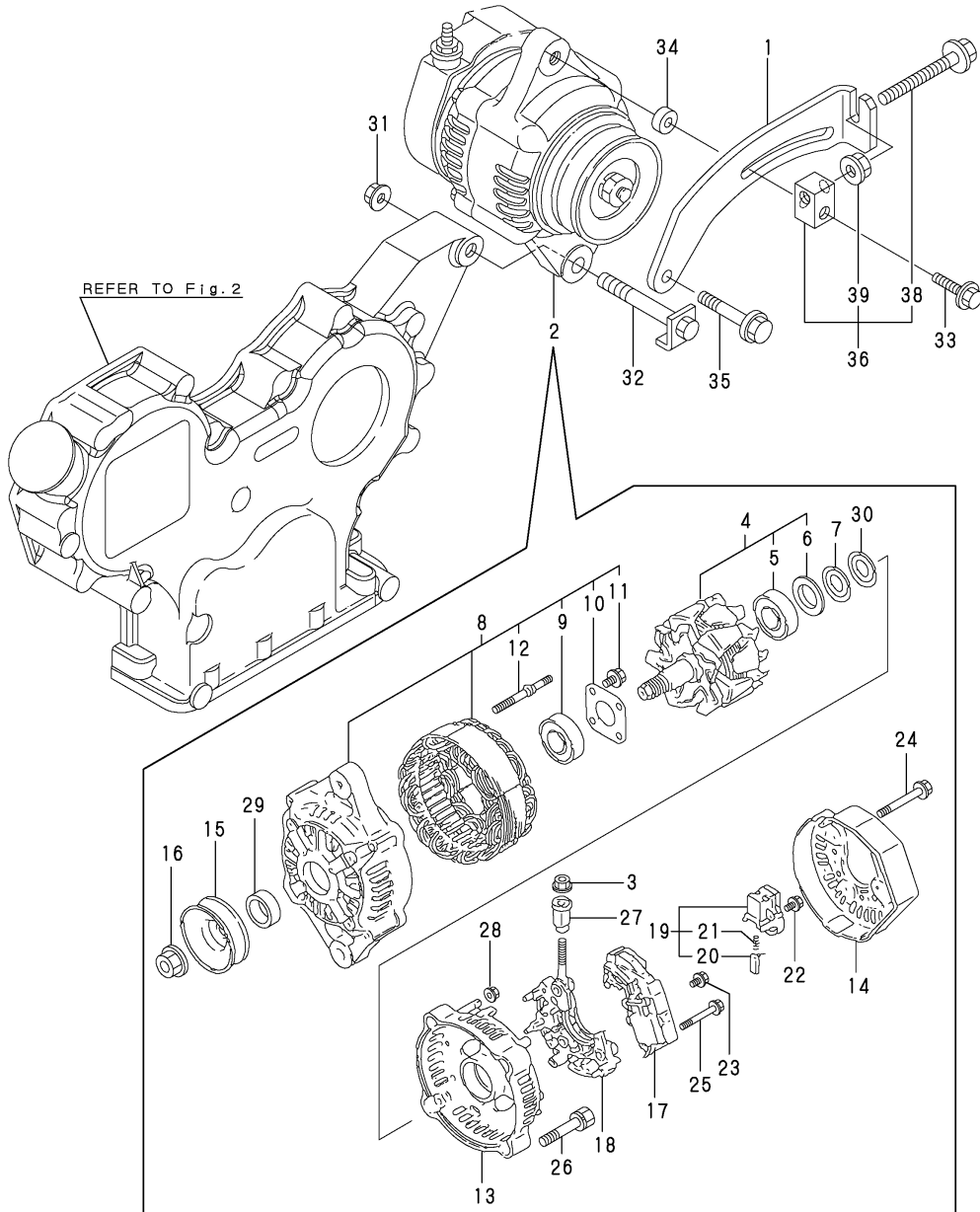
(B)=

(C)=

(D)=

(E)=

(F)=

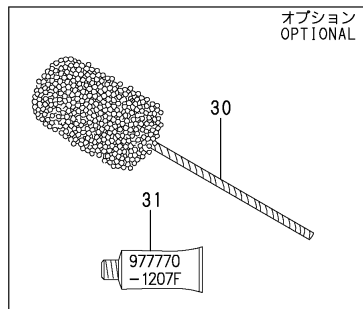
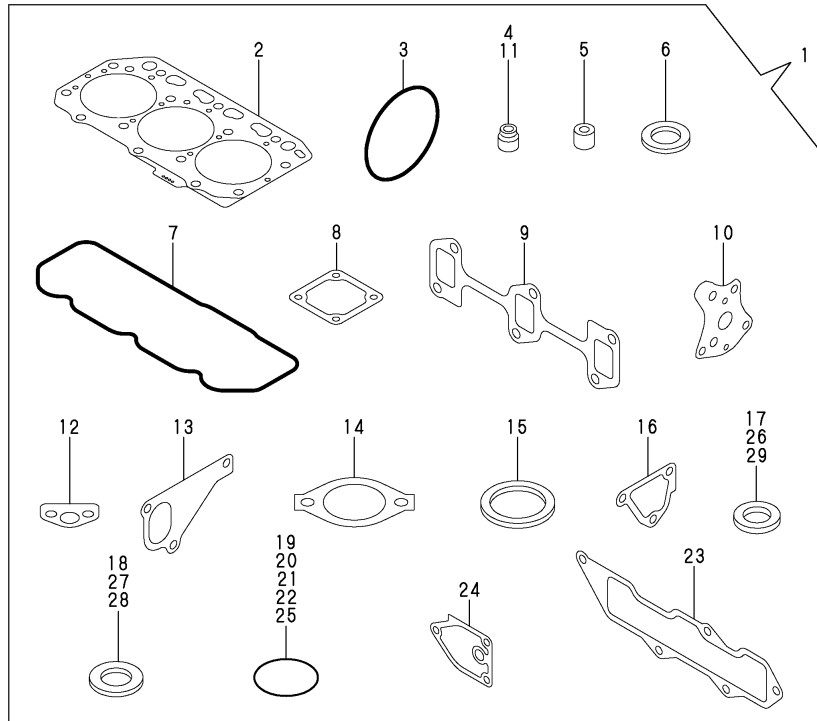


| No. | Lev. | Parts No. | Description | Q'ty | | | | | | I | R |
|-----|------|--------------|----------------------|------|-----|-----|-----|-----|-----|---|---|
| | | | | (A) | (B) | (C) | (D) | (E) | (F) | | |
| 1 | 1 | 119940-77310 | ADJUSTER | 1 | | | | | | | |
| 2 | 1 | 129423-77200 | GENERATOR, 12V-40A | 1 | | | | | | | |
| 3 | 2 | X9490561001 | NUT | 1 | | | | | | | |
| 4 | 2 | 119620-77380 | ROTOR ASSY | 1 | | | | | | | |
| 5 | 3 | 123501-79240 | BEARING, BALL | 1 | | | | | | | |
| 6 | 3 | 119620-79250 | COVER | 1 | | | | | | | |
| 7 | 2 | 119620-79360 | WASHER, THRUST | 1 | | | | | | | |
| 8 | 2 | 119620-77421 | FRAME ASSY, DRIVE | 1 | | | | | | | |
| 9 | 3 | 119620-79200 | BEARING, BALL | 1 | | | | | | | |
| 10 | 3 | 119620-79210 | PLATE, RETAINER | 1 | | | | | | | |
| 11 | 3 | 119620-79220 | SCREW | 4 | | | | | | | |
| 12 | 3 | 119620-79230 | STUD | 2 | | | | | | | |
| 13 | 2 | 119620-77440 | FRAME ASSY | 1 | | | | | | | |
| 14 | 2 | 129240-79300 | COVER | 1 | | | | | | | |
| 15 | 2 | 119620-77461 | PULLEY | 1 | | | | | | | |
| 16 | 2 | 119620-77471 | NUT | 1 | | | | | | | |
| 17 | 2 | 129423-77710 | REGULATOR ASSY | 1 | | | | | | | |
| 18 | 2 | 119620-79260 | HOLDER | 1 | | | | | | | |
| 19 | 2 | 129052-79270 | HOLDER, BRUSH | 1 | | | | | | | |
| 20 | 3 | 119620-77480 | BRUSH ASSY | 2 | | | | | | | |
| 21 | 3 | 119620-79280 | SPRING | 2 | | | | | | | |
| 22 | 2 | 119620-79290 | SCREW | 1 | | | | | | | |
| 23 | 2 | 119620-79300 | SCREW | 1 | | | | | | | |
| 24 | 2 | 119620-79310 | BOLT | 3 | | | | | | | |
| 25 | 2 | 119620-79320 | SCREW | 2 | | | | | | | |
| 26 | 2 | 119620-79330 | BOLT | 2 | | | | | | | |
| 27 | 2 | 119620-79340 | BUSH, INSULATION | 1 | | | | | | | |
| 28 | 2 | 119620-79350 | NUT | 2 | | | | | | | |
| 29 | 2 | 119620-77490 | COLLAR | 1 | | | | | | | |
| 30 | 2 | 119620-79360 | WASHER, THRUST | 1 | | | | | | | |
| 31 | 1 | 26306-100002 | NUT, M10 | 1 | | | | | | | |
| 32 | 1 | 119740-77250 | BOLT, M10X76 | 1 | | | | | | | |
| 33 | 1 | 26106-080552 | BOLT, M8X 55 PLATED | 1 | | | | | | | |
| 34 | 1 | 119940-77270 | SPACER, GENERATOR | 1 | | | | | | | |
| 35 | 1 | 26106-080452 | BOLT, M8X 45 PLATED | 1 | | | | | | | |
| 36 | 1 | 119624-77351 | BLOCK ASSY, ADJUSTER | 1 | | | | | | | |
| 38 | 2 | 26106-081004 | BOLT, M8X100 PLATED | 1 | | | | | | | |
| 39 | 2 | 26306-080002 | NUT, M8 | 1 | | | | | | | |

Fig.17. GASKET SET & TOOLS

(A)=3TNV88-BQBV
(B)=
(C)=

(D)=
(E)=
(F)=



| No. | Lev. | Parts No. | Description | Q'ty | | | | | | I | R |
|-----|------|--------------|--------------------|------|-----|-----|-----|-----|-----|---|---|
| | | | | (A) | (B) | (C) | (D) | (E) | (F) | | |
| 1 | 1 | 729005-92640 | GASKET SET | 1 | | | | | | | 1 |
| 2 | 2 | 129001-01340 | GASKET, HEAD | 1 | | | | | | | |
| 3 | 2 | 121850-51960 | O-RING | 1 | | | | | | | |
| 4 | 2 | 124460-11340 | SEAL, VALVE STEM | 3 | | | | | | | |
| 5 | 2 | 119802-11870 | PROTECTOR, NOZZLE | 3 | | | | | | | |
| 6 | 2 | 119625-11880 | SEAT, NOZZLE | 3 | | | | | | | |
| 7 | 2 | 129004-11310 | GASKET, BONNET | 1 | | | | | | | |
| 8 | 2 | 129150-77511 | GASKET | 1 | | | | | | | |
| 9 | 2 | 129150-13110 | GASKET | 1 | | | | | | | |
| 10 | 2 | 129150-32020 | GASKET, PUMP | 1 | | | | | | | |
| 11 | 2 | 121400-11340 | SEAL, VALVE STEM | 3 | | | | | | | |
| 12 | 2 | 129150-35042 | GASKET | 1 | | | | | | | |
| 13 | 2 | 129486-42021 | GASKET, WATER PUMP | 1 | | | | | | | |
| 14 | 2 | 129795-49551 | GASKET | 1 | | | | | | | |
| 15 | 2 | 129150-49811 | GASKET, THERMOSTAT | 1 | | | | | | | |
| 16 | 2 | 124395-49840 | GASKET | 1 | | | | | | | |
| 17 | 2 | 22190-080002 | WASHER, SEAL 6 | 2 | | | | | | | |
| 18 | 2 | 124465-44950 | GASKET, 16 | 1 | | | | | | | |
| 19 | 2 | 24311-000120 | O-RING, 1AP12.0 | 3 | | | | | | | |
| 20 | 2 | 24311-000320 | O-RING, 1AP32.0 | 2 | | | | | | | |
| 21 | 2 | 24341-000240 | O-RING, 1AS24.0 | 1 | | | | | | | |
| 22 | 2 | 129486-42140 | O-RING, G30 | 1 | | | | | | | |
| 23 | 2 | 129001-12110 | GASKET, MANIFOLD | 1 | | | | | | | |
| 24 | 2 | 129150-35111 | GASKET | 1 | | | | | | | |
| 25 | 2 | 119609-32040 | O-RING, P16 | 4 | | | | | | | |
| 26 | 2 | 22190-100002 | WASHER, SEAL 10 | 2 | | | | | | | |
| 27 | 2 | 23414-080000 | GASKET, 8X1.0 | 1 | | | | | | | |
| 28 | 2 | 129150-49360 | GASKET | 1 | | | | | | | |
| 29 | 2 | 22190-220002 | WASHER, SEAL 22 | 1 | | | | | | | |
| 30 | 1 | 129400-92430 | HONE | 1 | | | | | | | 1 |
| 31 | 1 | 977770-1207F | GASKET.LIQUID | 1 | | | | | | | 1 |

Remarks
(1)OPTIONAL PART.

Parts No. Index

| Parts No. | Fig. No. | Ref. No. |
|--------------|----------|----------|
| 105312-59510 | 14 | 9 |
| 114250-39450 | 9 | 14 |
| 114250-53080 | 13 | 5 |
| 114250-53120 | 13 | 10 |
| 114250-53130 | 13 | 11 |
| 114250-53140 | 13 | 12 |
| 114250-53210 | 13 | 13 |
| 119131-18320 | 6 | 3 |
| 119233-77932 | 12 | 96 |
| 119593-59581 | 13 | 29 |
| 119609-32040 | 2 | 10 |
| | 17 | 25 |
| 119620-01750 | 3 | 3 |
| 119620-77380 | 16 | 4 |
| 119620-77421 | 16 | 8 |
| 119620-77440 | 16 | 13 |
| 119620-77461 | 16 | 15 |
| 119620-77471 | 16 | 16 |
| 119620-77480 | 16 | 20 |
| 119620-77490 | 16 | 29 |
| 119620-79200 | 16 | 9 |
| 119620-79210 | 16 | 10 |
| 119620-79220 | 16 | 11 |
| 119620-79230 | 16 | 12 |
| 119620-79250 | 16 | 6 |
| 119620-79260 | 16 | 18 |
| 119620-79280 | 16 | 21 |
| 119620-79290 | 16 | 22 |
| 119620-79300 | 16 | 23 |
| 119620-79310 | 16 | 24 |
| 119620-79320 | 16 | 25 |
| 119620-79330 | 16 | 26 |
| 119620-79340 | 16 | 27 |
| 119620-79350 | 16 | 28 |
| 119620-79360 | 16 | 7 |
| | | 30 |
| 119624-77351 | 16 | 36 |
| 119625-11880 | 4 | 32 |
| | 17 | 6 |
| 119626-07900 | 4 | 56 |
| 119640-01640 | 3 | 9 |
| 119660-61901 | 12 | 59 |
| 119740-77250 | 16 | 32 |
| 119802-01561 | 2 | 6 |
| 119802-03110 | 4 | 43 |
| 119802-03121 | 4 | 44 |
| 119802-03130 | 4 | 45 |
| 119802-03141 | 4 | 46 |
| 119802-11260 | 4 | 6 |
| 119802-11270 | 4 | 7 |

| Parts No. | Fig. No. | Ref. No. |
|--------------|----------|----------|
| 119802-11280 | 4 | 8 |
| 119802-11870 | 4 | 55 |
| | 17 | 5 |
| 119802-25071 | 7 | 14 |
| 119802-25101 | 7 | 11 |
| 119802-25901 | 7 | 17 |
| 119802-35100 | 9 | 8 |
| 119802-35110 | 9 | 9 |
| 119802-39450 | 9 | 16 |
| 119802-49730 | 10 | 37 |
| 119802-51090 | 11 | 7 |
| 119802-51250 | 11 | 128 |
| 119802-51560 | 11 | 52 |
| 119802-51590 | 11 | 58 |
| 119802-51600 | 11 | 59 |
| 119802-51680 | 11 | 63 |
| 119802-51690 | 11 | 64 |
| 119802-55810 | 14 | 2 |
| 119802-59550 | 13 | 48 |
| 119803-01520 | 2 | 5 |
| 119803-21200 | 8 | 5 |
| 119803-25050 | 7 | 10 |
| 119803-53400 | 13 | 14 |
| 119803-77830 | 4 | 60 |
| 119807-61420 | 12 | 22 |
| 119831-42290 | 10 | 21 |
| 119831-44740 | 10 | 22 |
| 119865-21600 | 8 | 16 |
| 119934-01800 | 2 | 4 |
| 119934-59910 | 11 | 125 |
| 119940-07900 | 4 | 1 |
| 119940-77270 | 16 | 34 |
| 119940-77310 | 16 | 1 |
| 120130-11860 | 4 | 19 |
| 120270-54410 | 4 | 34 |
| 121023-01551 | 2 | 17 |
| 121111-21501 | 8 | 12 |
| 121250-44901 | 10 | 32 |
| 121267-44760 | 10 | 23 |
| 121400-11340 | 4 | 28 |
| | 17 | 11 |
| 121520-34810 | 9 | 2 |
| 121550-23200 | 8 | 30 |
| 121850-21680 | 8 | 11 |
| 121850-42410 | 10 | 8 |
| 121850-51960 | 2 | 11 |
| | 17 | 3 |
| 123501-79240 | 16 | 5 |
| 123900-13610 | 6 | 5 |
| 123900-13630 | 6 | 4 |

| Parts No. | Fig. No. | Ref. No. |
|--------------|----------|----------|
| 124060-01050 | 1 | 5 |
| 124060-77680 | 13 | 47 |
| 124101-49531 | 10 | 27 |
| 124160-01751 | 2 | 7 |
| | 4 | 39 |
| 124160-01910 | 1 | 7 |
| | | 8 |
| 124160-11360 | 4 | 52 |
| 124160-39140 | 9 | 15 |
| 124240-01871 | 2 | 8 |
| 124395-49840 | 10 | 17 |
| | 17 | 16 |
| 124460-11340 | 4 | 29 |
| | 17 | 4 |
| 124465-44950 | 10 | 33 |
| | 17 | 18 |
| 124722-59050 | 10 | 38 |
| | | 41 |
| | 13 | 27 |
| | | 50 |
| 124766-59050 | 14 | 5 |
| | | 8 |
| 129001-01250 | 1 | 6 |
| 129001-01340 | 1 | 33 |
| | 17 | 2 |
| 129001-02931 | 1 | 25 |
| 129001-12110 | 5 | 5 |
| | 17 | 23 |
| 129001-32001 | 9 | 21 |
| 129001-91841 | 2 | 12 |
| 129002-21590 | 8 | 13 |
| 129004-01190 | 1 | 31 |
| 129004-03010 | 4 | 41 |
| 129004-03080 | 5 | 1 |
| 129004-11241 | 4 | 3 |
| 129004-11251 | 4 | 4 |
| 129004-11310 | 4 | 49 |
| | 17 | 7 |
| 129004-11350 | 4 | 40 |
| 129004-11650 | 4 | 10 |
| 129004-11900 | 4 | 33 |
| 129004-12100 | 5 | 3 |
| 129004-21650 | 8 | 9 |
| 129004-34802 | 9 | 1 |
| 129004-42001 | 10 | 1 |
| 129004-42040 | 10 | 15 |
| 129004-49610 | 10 | 35 |
| 129004-49620 | 10 | 39 |
| 129004-49711 | 10 | 36 |
| 129004-49721 | 10 | 40 |

| Parts No. | Fig. No. | Ref. No. |
|--------------|----------|----------|
| 129004-55612 | 14 | 1 |
| 129004-59811 | 13 | 35 |
| 129004-59821 | 13 | 39 |
| 129004-59831 | 13 | 43 |
| 129005-11100 | 4 | 24 |
| 129005-22080 | 8 | 17 |
| 129005-22500 | 8 | 19 |
| 129005-22900 | 8 | 35 |
| 129005-22950 | 8 | 37 |
| 129005-59830 | 9 | 17 |
| 129008-11700 | 4 | 15 |
| 129008-21000 | 8 | 1 |
| 129008-51300 | 11 | 35 |
| 129008-51340 | 11 | 44 |
| 129008-51740 | 11 | 73 |
| 129008-77800 | 4 | 58 |
| 129008-77820 | 4 | 59 |
| 129052-79270 | 16 | 19 |
| 129100-01580 | 3 | 1 |
| | | 15 |
| | 8 | 2 |
| 129100-01640 | 3 | 16 |
| 129100-01730 | 3 | 6 |
| 129100-11112 | 4 | 25 |
| 129100-13110 | 6 | 1 |
| 129100-23910 | 8 | 29 |
| 129100-35140 | 9 | 10 |
| 129100-35301 | 9 | 4 |
| 129100-42051 | 10 | 3 |
| 129100-42121 | 10 | 4 |
| 129129-14580 | 7 | 3 |
| 129136-01780 | 3 | 8 |
| 129136-77011 | 15 | 1 |
| 129136-77310 | 15 | 2 |
| 129136-77520 | 15 | 14 |
| 129150-01200 | 1 | 32 |
| 129150-01650 | 3 | 17 |
| 129150-02020 | 1 | 10 |
| 129150-02450 | 7 | 4 |
| 129150-02871 | 1 | 34 |
| 129150-02931 | 1 | 28 |
| 129150-02941 | 1 | 37 |
| 129150-03070 | 4 | 42 |
| 129150-11230 | 4 | 11 |
| 129150-11280 | 4 | 9 |
| 129150-11370 | 4 | 14 |
| 129150-11750 | 4 | 13 |
| 129150-11810 | 4 | 21 |
| 129150-13110 | 6 | 2 |
| | 17 | 9 |

Parts No. Index

| Parts No. | Fig. No. | Ref. No. |
|--------------|----------|----------|
| 129150-14101 | 7 | 7 |
| 129150-14200 | 7 | 1 |
| 129150-14400 | 7 | 2 |
| 129150-23601 | 8 | 31 |
| 129150-23611 | 8 | 33 |
| 129150-25301 | 7 | 16 |
| 129150-32020 | 9 | 22 |
| | 17 | 10 |
| 129150-35042 | 9 | 3 |
| | 17 | 12 |
| 129150-35111 | 9 | 11 |
| | 17 | 24 |
| 129150-35170 | 9 | 12 |
| 129150-49360 | 10 | 44 |
| | 17 | 28 |
| 129150-49811 | 10 | 26 |
| | 17 | 15 |
| 129150-59120 | 13 | 30 |
| 129150-59131 | 13 | 33 |
| 129150-59511 | 14 | 6 |
| 129150-77511 | 5 | 9 |
| | 17 | 8 |
| 129155-49801 | 10 | 25 |
| 129155-51280 | 12 | 5 |
| 129155-61460 | 12 | 24 |
| 129202-22300 | 8 | 23 |
| 129210-59030 | 14 | 4 |
| 129210-59050 | 14 | 7 |
| 129236-53000 | 13 | 2 |
| 129240-35800 | 9 | 24 |
| 129240-79300 | 16 | 14 |
| 129255-61410 | 12 | 21 |
| 129400-77490 | 15 | 12 |
| 129400-77571 | 15 | 18 |
| 129400-92430 | 17 | 30 |
| 129410-03990 | 5 | 2 |
| 129423-77200 | 16 | 2 |
| 129423-77710 | 16 | 17 |
| 129486-01670 | 3 | 19 |
| 129486-12581 | 5 | 8 |
| 129486-42021 | 10 | 14 |
| | 17 | 13 |
| 129486-42140 | 10 | 16 |
| | 17 | 22 |
| 129486-59551 | 13 | 26 |
| 129556-42350 | 10 | 20 |
| 129612-01600 | 3 | 2 |
| 129642-55901 | 14 | 10 |
| 129642-61060 | 12 | 97 |
| 129795-01780 | 3 | 18 |

| Parts No. | Fig. No. | Ref. No. |
|--------------|----------|----------|
| 129795-01950 | 2 | 9 |
| 129795-02412 | 1 | 13 |
| 129795-11120 | 4 | 26 |
| 129795-11180 | 4 | 27 |
| 129795-21661 | 8 | 10 |
| 129795-49551 | 10 | 28 |
| | 17 | 14 |
| 129900-77400 | 15 | 3 |
| 129900-77440 | 15 | 6 |
| 129900-77450 | 15 | 7 |
| | | 11 |
| 129900-77460 | 15 | 9 |
| 129900-77480 | 15 | 10 |
| 129900-77640 | 15 | 19 |
| 158552-51151 | 7 | 18 |
| 158552-51570 | 11 | 53 |
| | | 54 |
| 158552-51580 | 11 | 57 |
| 158552-51600 | 11 | 67 |
| 158552-51670 | 11 | 121 |
| 158552-51781 | 11 | 93 |
| 158552-52100 | 11 | 123 |
| 158552-52310 | 11 | 100 |
| 158552-52400 | 11 | 101 |
| 158552-52500 | 11 | 124 |
| 158552-61441 | 12 | 23 |
| 158552-61900 | 12 | 82 |
| 158553-51551 | 11 | 119 |
| 158553-51630 | 11 | 68 |
| 158553-51640 | 11 | 70 |
| 158553-51660 | 11 | 71 |
| 158553-51670 | 11 | 62 |
| 158553-51680 | 11 | 72 |
| 158553-51770 | 11 | 99 |
| 158553-61050 | 12 | 79 |
| 158553-61070 | 12 | 81 |
| 158557-51570 | 11 | 55 |
| 158563-51281 | 11 | 33 |
| | | 34 |
| 158563-51330 | 11 | 43 |
| 158600-51270 | 11 | 32 |
| 158601-51550 | 11 | 51 |
| 158601-51570 | 11 | 56 |
| 158601-51650 | 11 | 120 |
| 158601-51770 | 11 | 92 |
| 158601-51790 | 11 | 94 |
| 171008-77450 | 15 | 8 |
| 171008-77510 | 15 | 13 |
| 171008-77540 | 15 | 15 |
| 171008-77650 | 15 | 20 |

| Parts No. | Fig. No. | Ref. No. |
|--------------|----------|----------|
| 171008-77660 | 15 | 24 |
| 171008-77670 | 15 | 25 |
| 171008-77750 | 15 | 31 |
| 171031-11741 | 2 | 23 |
| 171051-01921 | 1 | 9 |
| 171056-49120 | 10 | 43 |
| 171056-49351 | 10 | 31 |
| 22190-080002 | 2 | 21 |
| | 9 | 19 |
| | | 20 |
| | 17 | 17 |
| 22190-100002 | 9 | 7 |
| | 17 | 26 |
| 22190-120000 | 12 | 63 |
| 22190-120002 | 11 | 74 |
| | | 102 |
| | | 126 |
| 22190-180002 | 11 | 97 |
| | | 103 |
| 22190-220002 | 3 | 11 |
| | 17 | 29 |
| 22217-140000 | 7 | 19 |
| | 11 | 104 |
| 22252-000260 | 8 | 24 |
| 22312-050140 | 11 | 105 |
| 22351-030010 | 8 | 8 |
| 22351-050010 | 11 | 106 |
| 22351-060012 | 4 | 35 |
| 22512-070140 | 7 | 8 |
| | 8 | 6 |
| 22857-500100 | 4 | 50 |
| | | 51 |
| 23065-120230 | 9 | 25 |
| 23080-014000 | 9 | 26 |
| 23414-080000 | 10 | 30 |
| | 17 | 27 |
| 23857-030000 | 9 | 18 |
| 23876-010000 | 10 | 11 |
| 23876-020000 | 10 | 12 |
| 23887-120002 | 11 | 98 |
| | 12 | 65 |
| 24311-000070 | 11 | 108 |
| 24311-000120 | 4 | 53 |
| | 17 | 19 |
| 24311-000320 | 2 | 13 |
| | | 24 |
| | 4 | 54 |
| | 17 | 20 |
| 24341-000240 | 2 | 18 |
| | 17 | 21 |

| Parts No. | Fig. No. | Ref. No. |
|--------------|----------|----------|
| 24356-010180 | 11 | 109 |
| 24356-010200 | 11 | 65 |
| | | 110 |
| 24372-000150 | 11 | 66 |
| 26106-060102 | 11 | 111 |
| | 12 | 67 |
| 26106-060142 | 12 | 83 |
| | | 84 |
| 26106-060162 | 2 | 19 |
| 26106-060202 | 12 | 85 |
| 26106-060302 | 10 | 24 |
| 26106-060322 | 15 | 29 |
| 26106-060402 | 15 | 30 |
| 26106-080122 | 10 | 42 |
| 26106-080142 | 4 | 57 |
| | 7 | 9 |
| 26106-080162 | 2 | 14 |
| | | 15 |
| | 3 | 12 |
| | 4 | 2 |
| | 10 | 18 |
| | 11 | 129 |
| 26106-080182 | 14 | 11 |
| 26106-080202 | 5 | 6 |
| | | 10 |
| | 9 | 13 |
| | 11 | 130 |
| 26106-080252 | 3 | 13 |
| | 4 | 36 |
| | 10 | 29 |
| 26106-080302 | 2 | 22 |
| | 14 | 3 |
| 26106-080352 | 3 | 20 |
| | 4 | 37 |
| | 9 | 5 |
| 26106-080402 | 7 | 15 |
| 26106-080452 | 3 | 14 |
| | | 14 -1 |
| | 10 | 34 |
| | 16 | 35 |
| 26106-080502 | 3 | 21 |
| | 4 | 38 |
| 26106-080552 | 2 | 16 |
| | 16 | 33 |
| 26106-080602 | 10 | 19 |
| 26106-080652 | 10 | 45 |
| 26106-080802 | 5 | 7 |
| 26106-081004 | 16 | 38 |
| 26116-120252 | 15 | 32 |
| 26206-100252 | 3 | 4 |

Parts No. Index

| Parts No. | Fig. No. | Ref. No. |
|--------------|----------|----------|
| 26206-100302 | 3 | 5 |
| 26306-080002 | 2 | 20 |
| | 6 | 6 |
| | 16 | 39 |
| 26306-100002 | 16 | 31 |
| 26366-060002 | 9 | 6 |
| 26450-060252 | 9 | 23 |
| 26450-080452 | 11 | 115 |
| 26756-060002 | 12 | 68 |
| 26776-140002 | 7 | 20 |
| | 11 | 116 |
| 27241-120000 | 1 | 14 |
| 27241-300000 | 1 | 15 |
| 27241-400000 | 4 | 23 |
| 27310-080001 | 4 | 30 |
| 729005-01562 | 1 | 1 |
| 729005-92640 | 17 | 1 |
| 729236-51400 | 11 | 1 |
| 729236-53100 | 13 | 1 |
| 729402-23100 | 8 | 25 |
| 729630-01500 | 2 | 1 |
| 977770-1207F | 17 | 31 |
| X2114255110 | 15 | 5 |
| X2114555500 | 15 | 21 |
| X2114955020 | 15 | 22 |
| X2130350900 | 15 | 4 |
| X2240410100 | 15 | 23 |
| X9490561001 | 16 | 3 |

| Parts No. | Fig. No. | Ref. No. |
|-----------|----------|----------|
|-----------|----------|----------|

| Parts No. | Fig. No. | Ref. No. |
|-----------|----------|----------|
|-----------|----------|----------|

| Parts No. | Fig. No. | Ref. No. |
|-----------|----------|----------|
|-----------|----------|----------|