

0CB10-M75600EN

Directions for the Parts Catalog.

1. This Parts Catalog shows both standard and optional parts.
2. Parts may change without prior notice.
3. The following is an example of the Parts Catalog format.

REF.	LEV.	PARTS NO.	DESCRIPTION	Q'TY						I	R
				(A)	(B)	(C)	(D)	(E)	(F)		
1	1	729595-51390	FUEL INJECTION PUMP	1	1	1	1	1			1
1-1	1	729595-51391	FUEL INJECTION PUMP	1	1	1	1	1		N	1
		(A=E00185) (B=E00200)									
3	2	26022-060162	SCREW M 6X 16	9	9	9	9	9			
3-1	2	26022-060162	SCREW M 6X 16	4	4	4	4	4		K	
		(A=E00156) (B=E00156) (C=E00156) (D=E00156) (E=E00156)									
4	2	129470-51040	CAMSHAFT	1	1	1	1	1			
5	2	122710-51050	BEARING, ROLLER	2	2	2	2	2			
6	2	129470-51060	RETAINER	1	1	1	1	1			

Remarks
(1) BOOST COMPEMSATOR TYPE. OPTIONAL PART, TO E00155,(4JH-DT, 4JH-DTZ

① Ref. No.

The Ref. No. listed may not be in accordance with the illustration Ref. No.

(Ex.) Illustration No.

List Ref No.

1

1

(Before change)

1-1

(After change)

For interchangeable symbols N, R and K, illustrations for new parts may be abbreviated.

② Lev. (Level)

Level indication

The numbers below indicate the level of relativity towards the main part.

1 ----- Main parts (Assembly parts)

2 ----- Sub component included in " 1 ".

3 ----- Sub component included in " 2 ".

Note) Parts that are not for sale are partially illustrated but not listed.

③ Interchangeability Symbol

When a part change takes place, one of the following interchangeability symbols is indicated beside the part.

Symbol	Interchangeability	Contents note
N	Old $\begin{matrix} \leftarrow \text{Yes} \\ \text{No} \rightarrow \end{matrix}$ New	New Part is interchangeable for Old Part but Old Part is not interchangeable for New Part.
Q	Old $\begin{matrix} \leftarrow \text{No} \\ \text{Yes} \rightarrow \end{matrix}$ New	New Part is not interchangeable for Old Part but Old Part is interchangeable for New Part.
R	Old $\begin{matrix} \leftarrow \text{Yes} \\ \text{Yes} \rightarrow \end{matrix}$ New	New/ Old Parts are both interchangeable.
S	Old $\begin{matrix} \leftarrow \text{No} \\ \text{No} \rightarrow \end{matrix}$ New	New/ Old Parts are both not interchangeable.
W		Part newly added.
Z		Part discontinued.
F		Not interchangeable by a single part but interchangeable together with related parts.
K		Changes only for used parts quantities.

④ Effective Machine No.

When a part changes, the effective Machine No. will be indicated in the (A)-(F) column.

Product Symbol	Product No.	Product Symbol	Product No.
C	Clutch No. Compressor No.	F	Machine No. (Agricultural Equip.)
D	Drive No.	M	Machine No.
E	Engine No.		

Note 1) A date may follow the symbol. (Ex.) 1996.01

Note 2) "XXXXX" and "ZZZZZ" are for parts that could not be predicted or for engine models that could not be identified.

Note 3) (A=E00185) is the E (Engine Serial Number) for the column (A) model (in this case 4JH-DT) after the parts design change.

⑤ Remarks

Figures or alphabets (symbols) are entered in the remarks column.

The comments (remarks) on parts that are indicated at the bottom of the illustration are the same symbols as those stated above.

Contents

0CB10-M75600

Fig. No. Fig. Name

Fig. No. Fig. Name

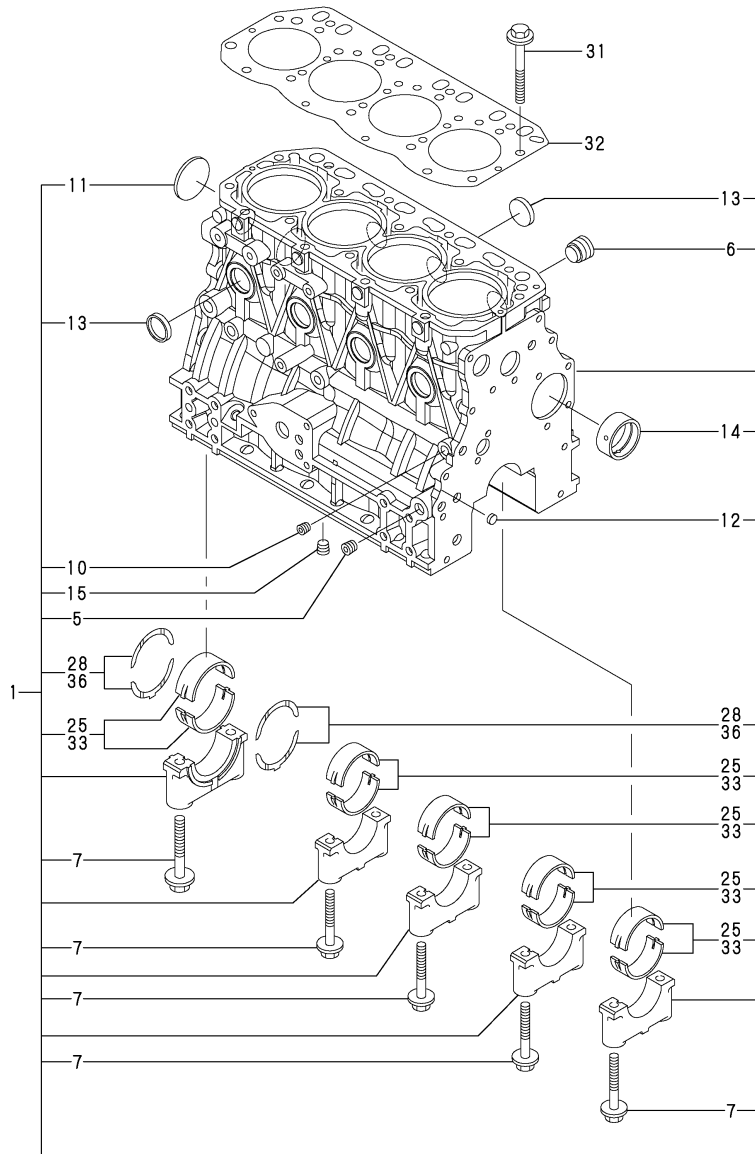
ENGINE

1. CYLINDER BLOCK
2. GEAR HOUSING
3. FLYWHEEL HOUSING & OIL SUMP
4. CYLINDER HEAD & BONNET
5. SUCTION MANIFOLD
6. EXHAUST MANIFOLD
7. CAMSHAFT & DRIVING GEAR
8. CRANKSHAFT & PISTON
9. LUB. OIL SYSTEM
10. COOLING WATER SYSTEM
11. FUEL INJECTION PUMP
12. GOVERNOR
13. FUEL INJECTION VALVE
14. FUEL PIPE
15. STARTER MOTOR
16. GENERATOR
17. GASKET SET & TOOL

Fig.1. CYLINDER BLOCK

(A)=4TNV88-BXBV
(B)=
(C)=

(D)=
(E)=
(F)=

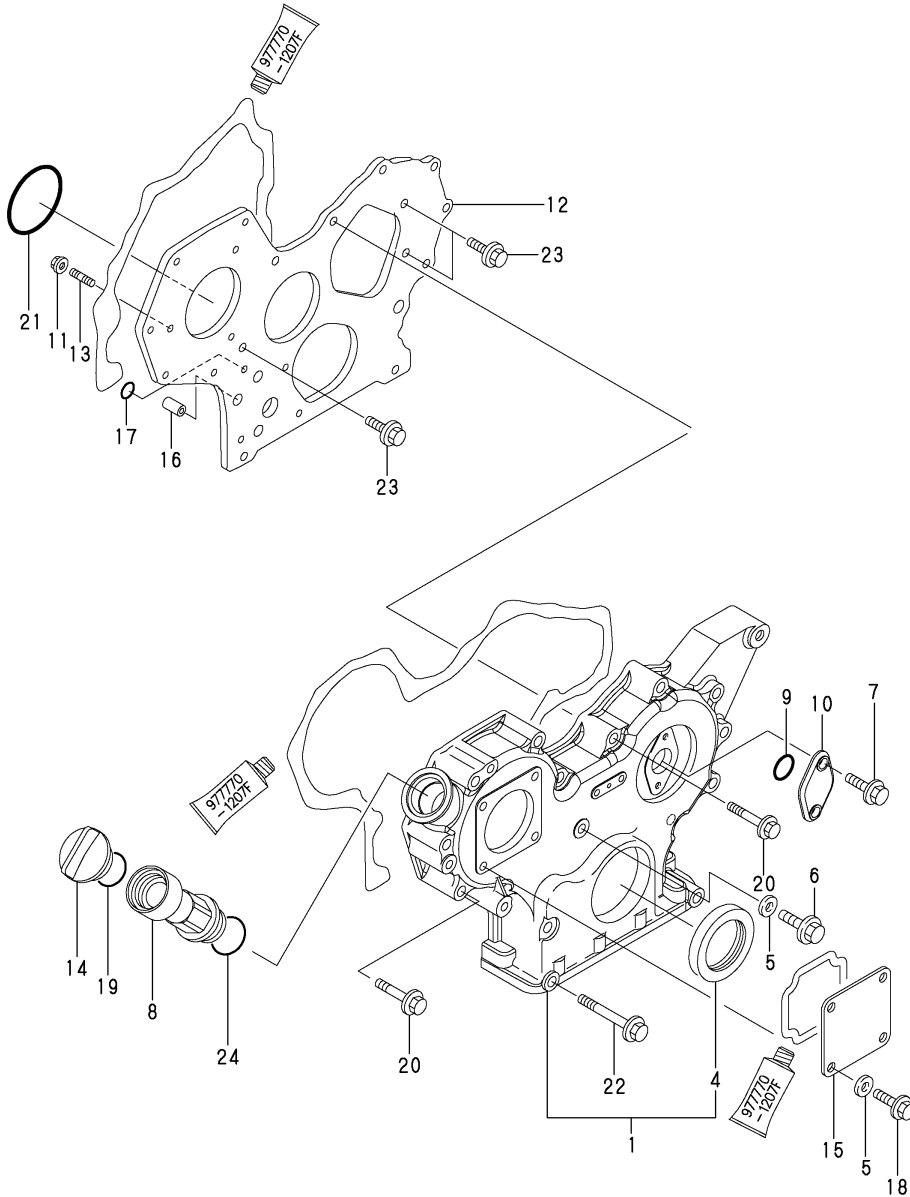


No.	Lev.	Parts No.	Description	Q'ty						I	R
				(A)	(B)	(C)	(D)	(E)	(F)		
1	1	729602-01561	BLOCK ASSY, CYLINDER	1							
5	3	124160-01910	PLUG, PT1/4	2							
6	3	171051-01921	PLUG, NPTF1	1							
7	3	129150-02020	BOLT, METAL CAP	10							
10	3	124060-01050	PLUG, PT1/8	1							
11	3	129001-01250	PLUG, DISH TYPE 50	1							
12	3	27241-120000	PLUG, 12	2							
13	3	27241-300000	PLUG 30	8							
14	3	129795-02412	BUSH, CAMSHAFT	1							
15	3	124160-01910	PLUG, PT1/4	1							
25	2	129001-02931	BEARING ASSY, MAIN	5							3
28	2	129150-02931	BEARING ASSY, THRUST	2							3
31	1	129150-01200	BOLT, CYLINDER HEAD	18							
32	1	129407-01340	GASKET, HEAD	1							
33	1	129150-02871	BEARING ASSY, MAIN	5							1
36	1	129150-02941	BEARING, THRUST 0.25	1							2

Remarks

- (1) Under-sized(U.S.=0.25) parts.
- (2) Over-sized(O.S.=0.25) parts.
- (3) Repair parts.

Fig.2. GEAR HOUSING

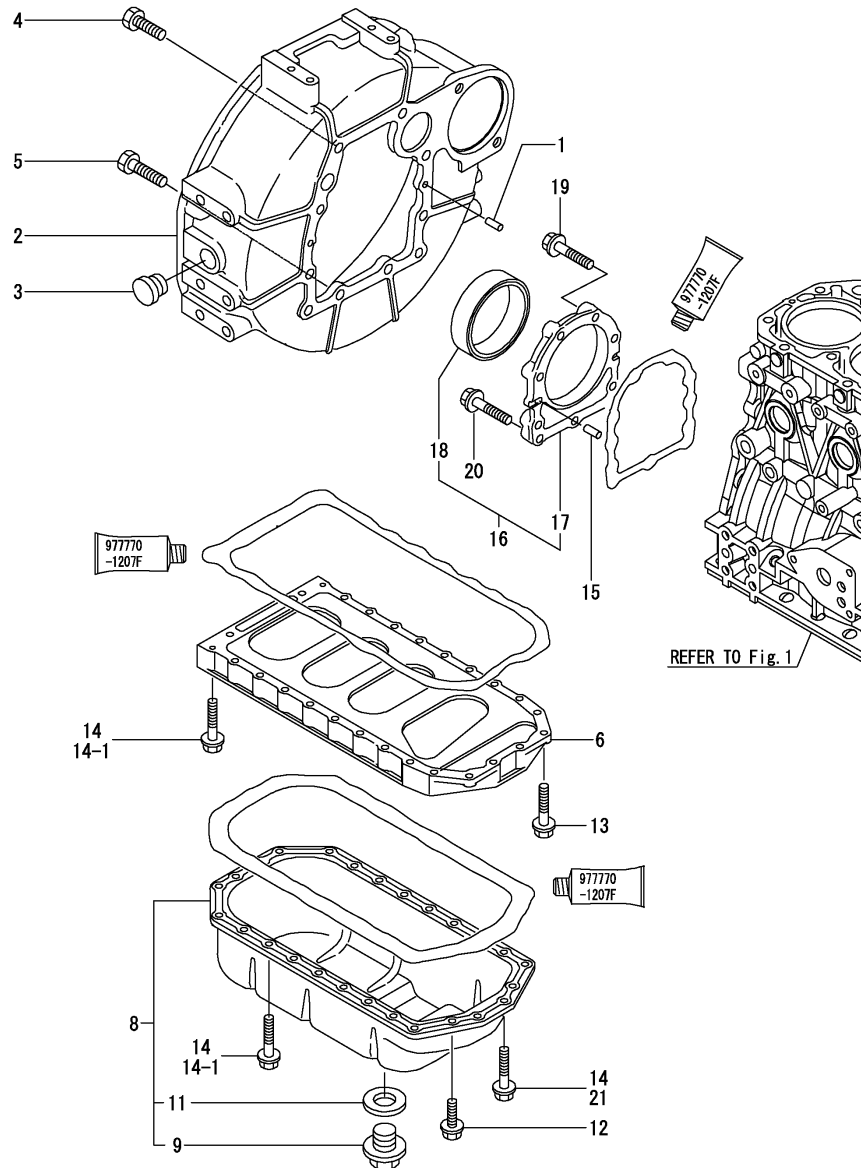


(A)=4TNV88-BXBV
(B)=
(C)=

(D)=
(E)=
(F)=

No.	Lev.	Parts No.	Description	Q'ty						I	R
				(A)	(B)	(C)	(D)	(E)	(F)		
1	1	719980-01500	CASE ASSY, GEAR	1							
4	2	119934-01800	SEAL, OIL	1							
5	1	22190-080002	WASHER, SEAL 6	5							
6	1	26106-080302	BOLT, M8X 30 PLATED	1							
7	1	26106-060162	BOLT, M6X 16 PLATED	2							
8	1	171031-11741	PIPE	1							
9	1	24341-000240	O-RING, 1AS24.0	1							
10	1	121023-01551	COVER	1							
11	1	26306-080002	NUT, M8	3							
12	1	119803-01520	FLANGE, GEAR CASE	1							
13	1	119802-01561	BOLT, STUD M8X25	3							
14	1	124160-01751	CAP, FILLER	1							
15	1	124240-01871	COVER, PUMP	1							
16	1	129795-01950	PIPE, DOWEL L=18	2							
17	1	119609-32040	O-RING, P16	2							
18	1	26106-080162	BOLT, M8X 16 PLATED	4							
19	1	24311-000320	O-RING, 1AP32.0	1							
20	1	26106-080552	BOLT, M8X 55 PLATED	12							
21	1	121850-51960	O-RING	1							
22	1	129001-91841	BOLT, M8X87	3							
23	1	26106-080162	BOLT, M8X 16 PLATED	3							
24	1	24311-000320	O-RING, 1AP32.0	1							

Fig.3. FLYWHEEL HOUSING & OIL SUMP

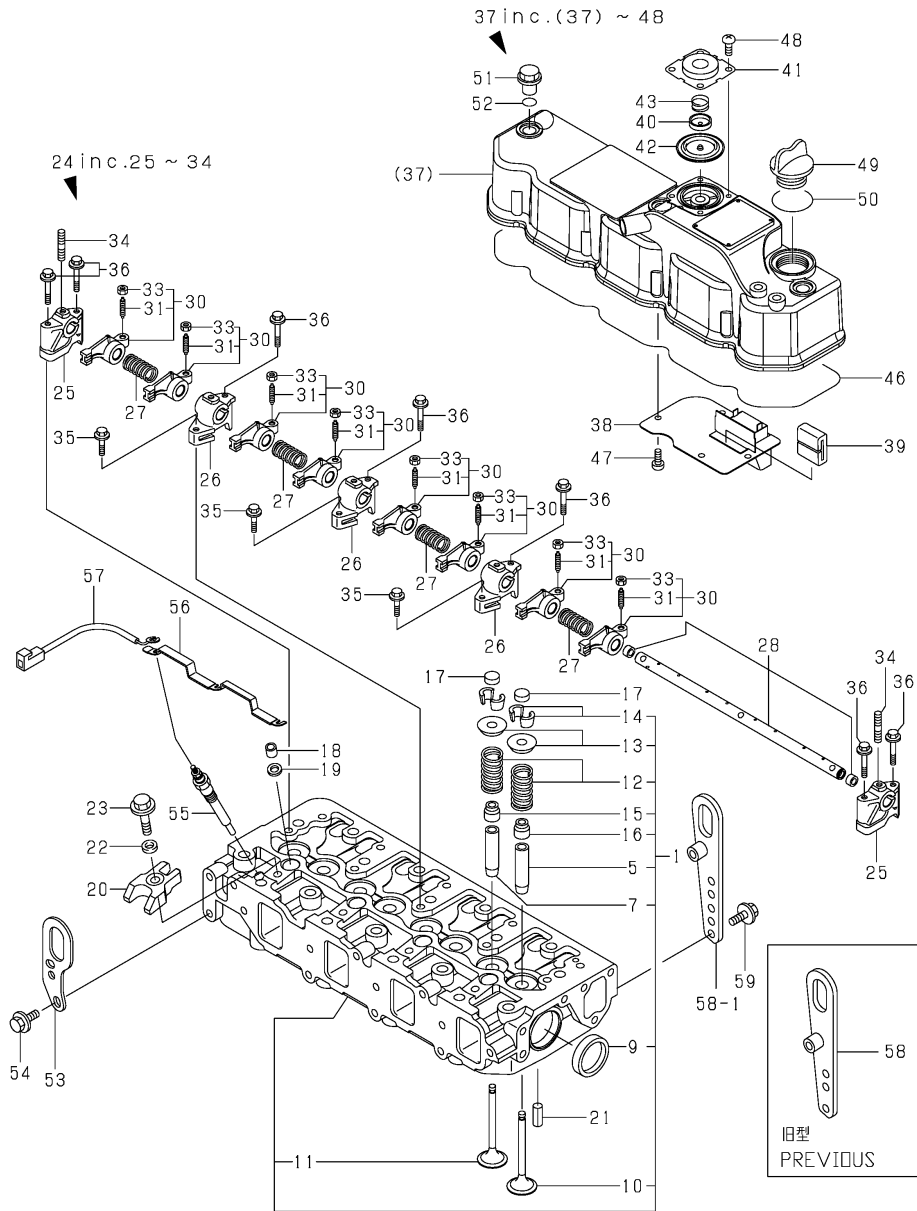


(A)=4TNV88-BXBV
(B)=
(C)=

(D)=
(E)=
(F)=

No.	Lev.	Parts No.	Description	Q'ty						I	R
				(A)	(B)	(C)	(D)	(E)	(F)		
1	1	129100-01580	PIN, PARALLEL 8X16	2							
2	1	129612-01600	HOUSING, FLYWHEEL	1							
3	1	119620-01750	CAP	1							
4	1	26206-100252	BOLT, M10X 25 PLATED	6							
5	1	26206-100302	BOLT, M10X 30 PLATED	4							
6	1	129400-01730	SPACER, OIL-PAN	1							
8	1	129436-01780	OIL PAN ASSY	1							
9	2	119640-01640	PLUG, DRAIN M22	1							
11	2	22190-220002	WASHER, SEAL 22	1							
12	1	26106-080162	BOLT, M8X 16 PLATED	4							
13	1	26106-080252	BOLT, M8X 25 PLATED	2							
14	1	26106-080452	BOLT, M8X 45 PLATED	24							
14-1	1	26106-080452	BOLT, M8X 45 PLATED	20							K
(A=FROM 1ST)											
15	1	129100-01580	PIN, PARALLEL 8X16	2							
16	1	129100-01640	CASE ASSY, OIL SEAL	1							
17	2	129150-01650	CASE, OIL SEAL	1							
18	2	129795-01780	SEAL, OIL	1							
19	1	129486-01670	BOLT, M8X30	6							
20	1	26106-080352	BOLT, M8X 35 PLATED	3							
21	1	26106-080502	BOLT, M8X 50 PLATED	4							W
(A=FROM 1ST)											

Fig.4. CYLINDER HEAD & BONNET



(A)=4TNV88-BXBV

(B)=

(C)=

(D)=

(E)=

(F)=

No.	Lev.	Parts No.	Description	Q'ty						I	R
				(A)	(B)	(C)	(D)	(E)	(F)		
1	1	129604-11700	HEAD ASSY, CYLINDER	1							
5	2	120130-11860	GUIDE, VALVE	4							1
7	2	129150-11810	GUIDE, VALVE	4							1
9	2	27241-400000	PLUG, 40	2							
10	2	129005-11100	VALVE, SUCTION	4							
11	2	129100-11112	VALVE, EXHAUST	4							
12	2	129795-11120	SPRING, VALVE	8							
13	2	129795-11180	RETAINER, SPRING	8							
14	2	27310-080001	COTTER, 8	8							
15	2	121400-11340	SEAL, VALVE STEM	4							
16	2	124460-11340	SEAL, VALVE STEM	4							
17	1	129150-11370	CAP, VALVE	8							
18	1	119802-11870	PROTECTOR, NOZZLE	4							
19	1	119625-11880	SEAT, NOZZLE	4							
20	1	129004-11900	RETAINER, NOZZLE	4							
21	1	22351-060012	PIN, SPRING 6.0X12	2							
22	1	120270-54410	WASHER, INJECTOR	4							
23	1	26106-080352	BOLT, M8X 35 PLATED	4							
24	1	129601-11241	SHAFT ASSY, ROCKER	1							
25	2	119802-11260	SUPPORT, ROCKER ARM	2							
26	2	119802-11270	SUPPORT, ROCKER ARM	3							
27	2	129150-11280	SPRING, ROCKER	4							
28	2	129601-11251	SHAFT, ROCKER ARM	1							
30	2	129004-11650	ARM ASSY, ROCKER	8							
31	3	129150-11230	SCREW, VALVE ADJUST	8							
33	3	129150-11750	NUT, M8	8							
34	2	26226-080182	STUD, M8X 18	3							
35	1	26106-080252	BOLT, M8X 25 PLATED	3							
36	1	26106-080502	BOLT, M8X 50 PLATED	7							
37	1	129601-11350	BONNET ASSY, HEAD	1							
38	2	129004-03010	PLATE, BAFFLE	1							
39	2	129150-03070	BAFFLE, BREATHER	1							
40	2	119802-03110	PLATE, DIAPHRAGM	1							
41	2	119802-03121	COVER, DIAPHRAGM	1							
42	2	119802-03130	DIAPHRAGM	1							
43	2	119802-03141	SPRING, DIAPHRAGM	1							
46	2	129601-11310	GASKET, BONNET	1							
47	2	22857-500100	SCREW, 5X10	4							
48	2	22857-500100	SCREW, 5X10	4							
49	1	124160-01751	CAP, FILLER	1							
50	1	24311-000320	O-RING, 1AP32.0	1							
51	1	124160-11360	KNOB	3							
52	1	24311-000120	O-RING, 1AP12.0	3							
53	1	119626-07900	LIFTER, ENGINE	1							
54	1	26106-080142	BOLT, M8X 14 PLATED	2							
55	1	129008-77800	PLUG, GLOW	4							
56	1	129604-77821	CONNECTOR, GLOW PLUG	1							
57	1	119803-77830	HARNES, WIRE	1							
58	1	119940-07900	LIFTER, ENGINE	1							
58-1	1	129648-07900	LIFTER, ENGINE	1							S

(A=*2009.05)

Remarks

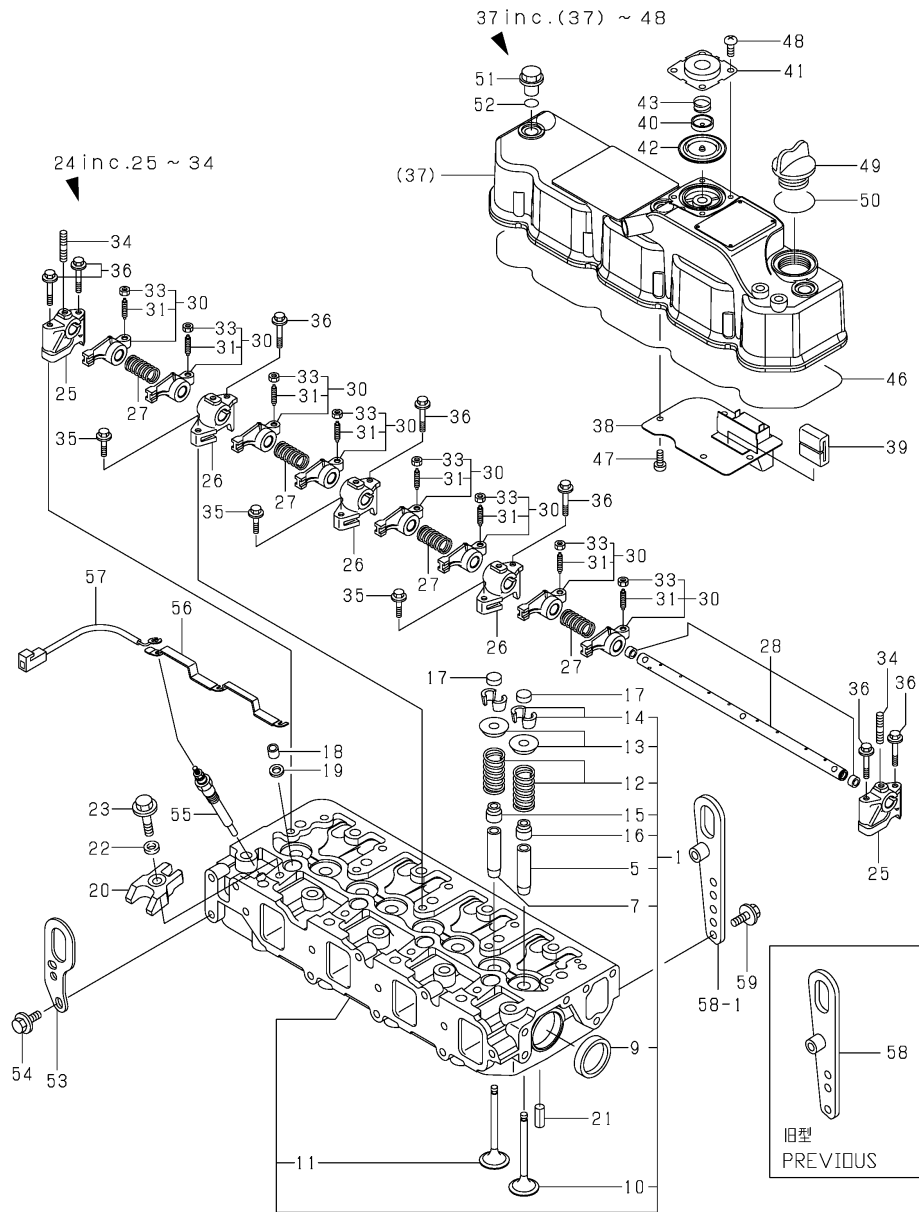
(1)Repair parts.

N:Old $\begin{matrix} \leftarrow \text{Yes} \\ \text{No} \end{matrix}$ New, Q:Old $\begin{matrix} \leftarrow \text{No} \\ \text{Yes} \end{matrix}$ New, R:Old $\begin{matrix} \leftarrow \text{Yes} \\ \text{Yes} \end{matrix}$ New, S:Old $\begin{matrix} \leftarrow \text{No} \\ \text{No} \end{matrix}$ New, W:Add, Z:Discontinued, F:Interchangeable by set, K:Q'ty Change
 ++ CONTINUE ++
 Copyright (C) YANMAR CO., LTD. All Rights Reserved.

Fig.4. CYLINDER HEAD & BONNET

(A)=4TNV88-BXBV
(B)=
(C)=

(D)=
(E)=
(F)=



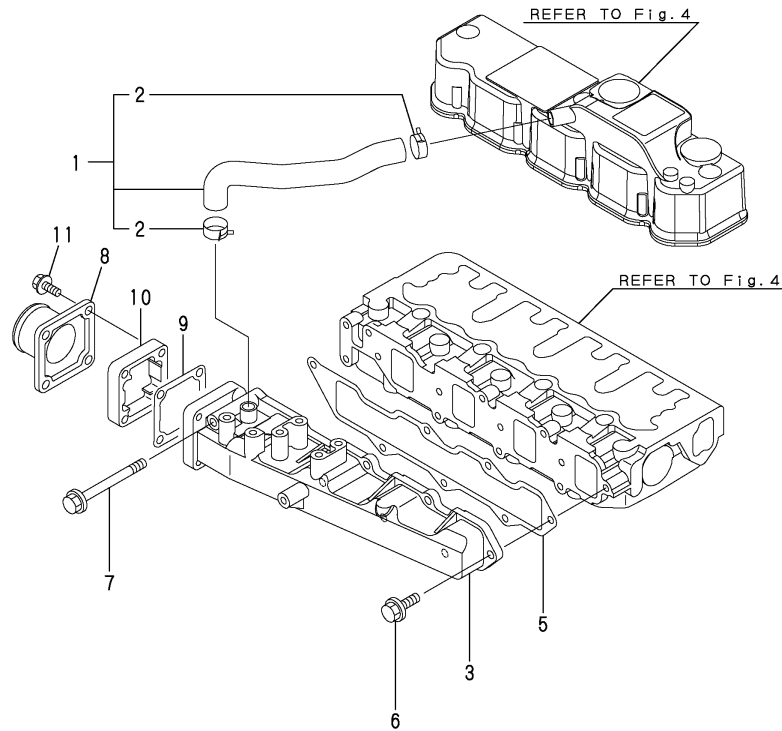
No.	Lev.	Parts No.	Description	Q'ty						I	R
				(A)	(B)	(C)	(D)	(E)	(F)		
59	1	26106-080162	BOLT, M8X 16 PLATED	2							

Remarks
(1)Repair parts.

Fig.5. SUCTION MANIFOLD

(A)=4TNV88-BXBV
(B)=
(C)=

(D)=
(E)=
(F)=



No.	Lev.	Parts No.	Description	Q'ty						I	R
				(A)	(B)	(C)	(D)	(E)	(F)		
1	1	129601-03080	HOSE ASSY, BREATHER	1							
2	2	129410-03990	CLAMP, HOSE 21.5	2							
3	1	129601-12100	MANIFOLD, AIR INTAKE	1							
5	1	129407-12110	GASKET, MANIFOLD	1							
6	1	26106-080202	BOLT, M8X 20 PLATED	6							
7	1	26106-080802	BOLT, M8X 80 PLATED	1							
8	1	129486-12581	JOINT, MANIFOLD	1							
9	1	129150-77511	GASKET, AIR HEATER	1							
10	1	129170-12580	SPACER, SILENCER	1							
11	1	26106-080402	BOLT, M8X 40 PLATED	4							

Fig.6. EXHAUST MANIFOLD

(A)=4TNV88-BXBV
(B)=
(C)=

(D)=
(E)=
(F)=

No.	Lev.	Parts No.	Description	Qty						I	R	
				(A)	(B)	(C)	(D)	(E)	(F)			
1	1	129400-13101	MANIFOLD, EXHAUST	1								
2	1	129550-13110	GASKET, EXH.MANIFOLD	1								
3	1	123900-13610	BOLT, STUD M8X80	2								
4	1	123900-13630	BOLT, M8X80	6								
5	1	119131-18320	BOLT, STUD M8X22	4								
6	1	26306-080002	NUT, M8	2								

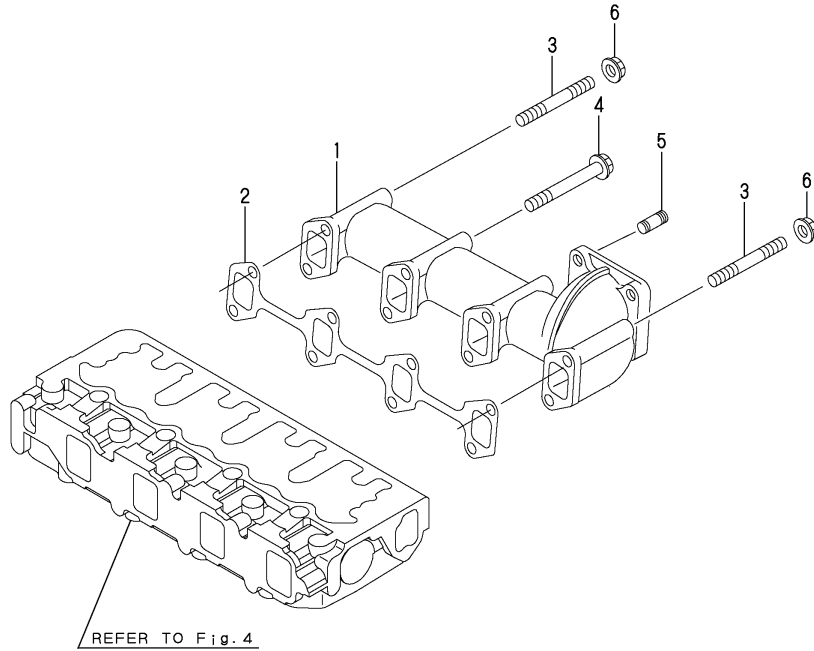
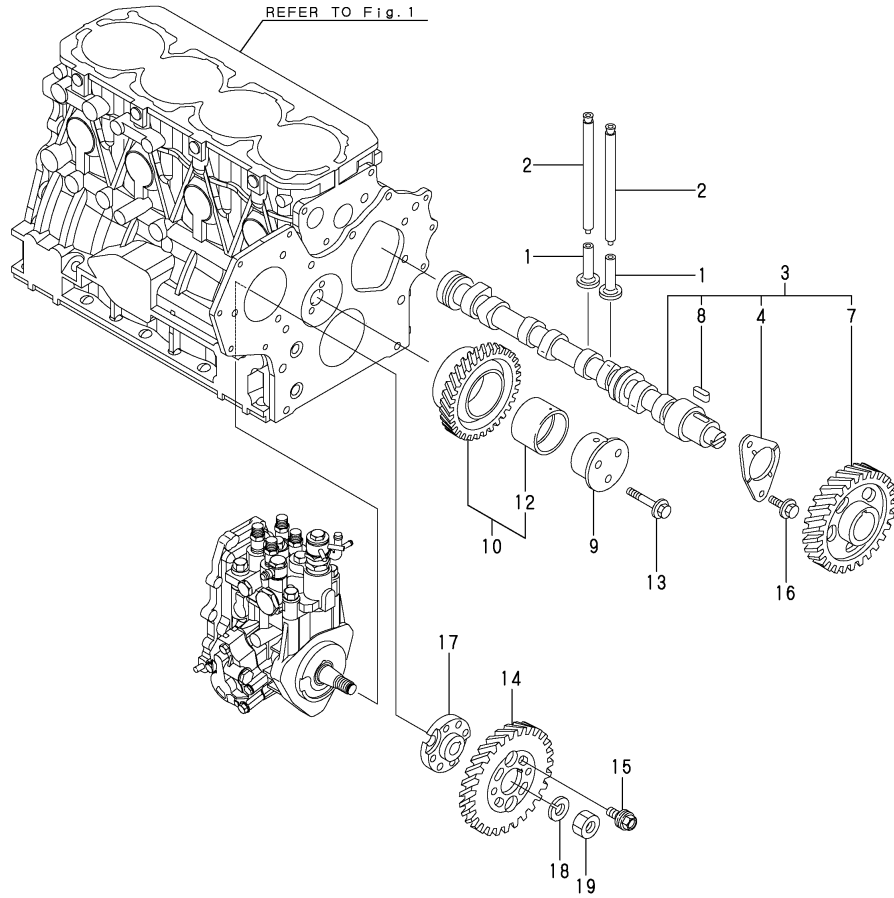


Fig.7. CAMSHAFT & DRIVING GEAR

(A)=4TNV88-BXBV
(B)=
(C)=

(D)=
(E)=
(F)=



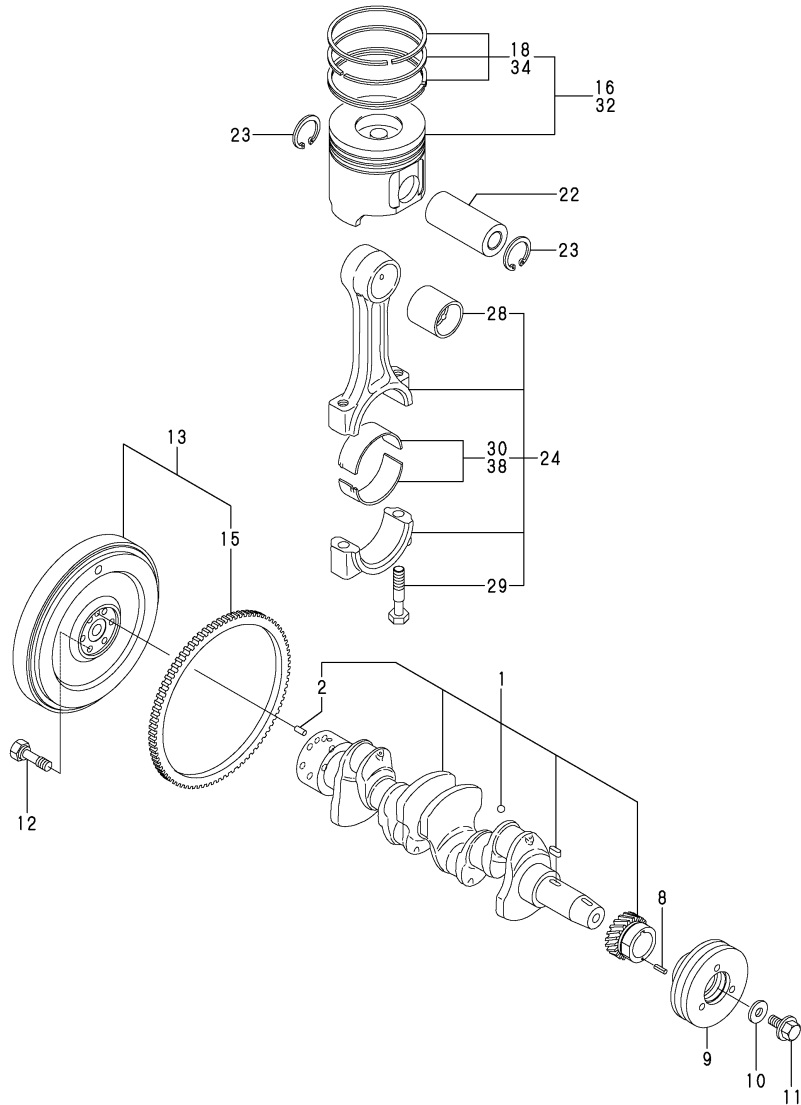
No.	Lev.	Parts No.	Description	Q'ty						I	R
				(A)	(B)	(C)	(D)	(E)	(F)		
1	1	129150-14200	TAPPET	8							
2	1	129150-14400	PUSH-ROD, L=178	8							
3	1	729402-14580	CAMSHAFT ASSY	1							
4	2	129150-02450	BEARING, THRUST	1							
7	2	129150-14101	GEAR, CAMSHAFT	1							
8	2	22512-070140	KEY, 7X 14	1							
9	1	119803-25050	SHAFT, IDLE	1							
10	1	119802-25101	GEAR ASSY, IDLE	1							
12	2	119802-25071	BUSH, IDLE GEAR	1							1
13	1	26106-080402	BOLT, M8X 40 PLATED	3							
14	1	119802-25901	GEAR, PUMP	1							
15	1	129150-25301	BOLT	4							
16	1	26106-080142	BOLT, M8X 14 PLATED	2							
17	1	158552-51151	FLANGE	1							
18	1	22217-140000	WASHER, SPRING 14	1							
19	1	26776-140002	NUT, LOCK M14	1							

Remarks
(1)Repair parts.

Fig.8. CRANKSHAFT & PISTON

(A)=4TNV88-BXBV
(B)=
(C)=

(D)=
(E)=
(F)=



No.	Lev.	Parts No.	Description	Q'ty						I	R
				(A)	(B)	(C)	(D)	(E)	(F)		
1	1	129604-21000	CRANKSHAFT ASSY	1							
2	2	129100-01580	PIN, PARALLEL 8X16	1							
8	1	22351-030010	PIN, SPRING 3.0X10	1							
9	1	119802-21650	V-PULLEY, CRANK 110	1							
10	1	129795-21661	WASHER	1							
11	1	121850-21680	BOLT	1							
12	1	121111-21501	BOLT, FLYWHEEL	6							
13	1	129489-21590	FLYWHEEL ASSY	1							
15	2	119865-21600	GEAR, RING Z=116	1							
16	1	129005-22080	PISTON ASSY	4							
18	2	129005-22500	RING SET, PISTON	4							
22	1	129202-22300	PIN, PISTON D26 L70	4							
23	1	22252-000260	RING, 26	8							
24	1	729402-23100	ROD ASSY, CONNECTING	4							
28	2	129100-23910	BEARING, PISTON PIN	4							1
29	2	121550-23200	BOLT, CONNECTING ROD	8							
30	2	129150-23601	BEARING, CRANK PIN	4							1
32	1	129005-22900	PISTON ASSY, 0.25 OS	4							2
34	2	129005-22950	RING SET, 0.25 OS	4							2
38	1	129150-23611	BEARING, 0.25 US	4							3

Remarks

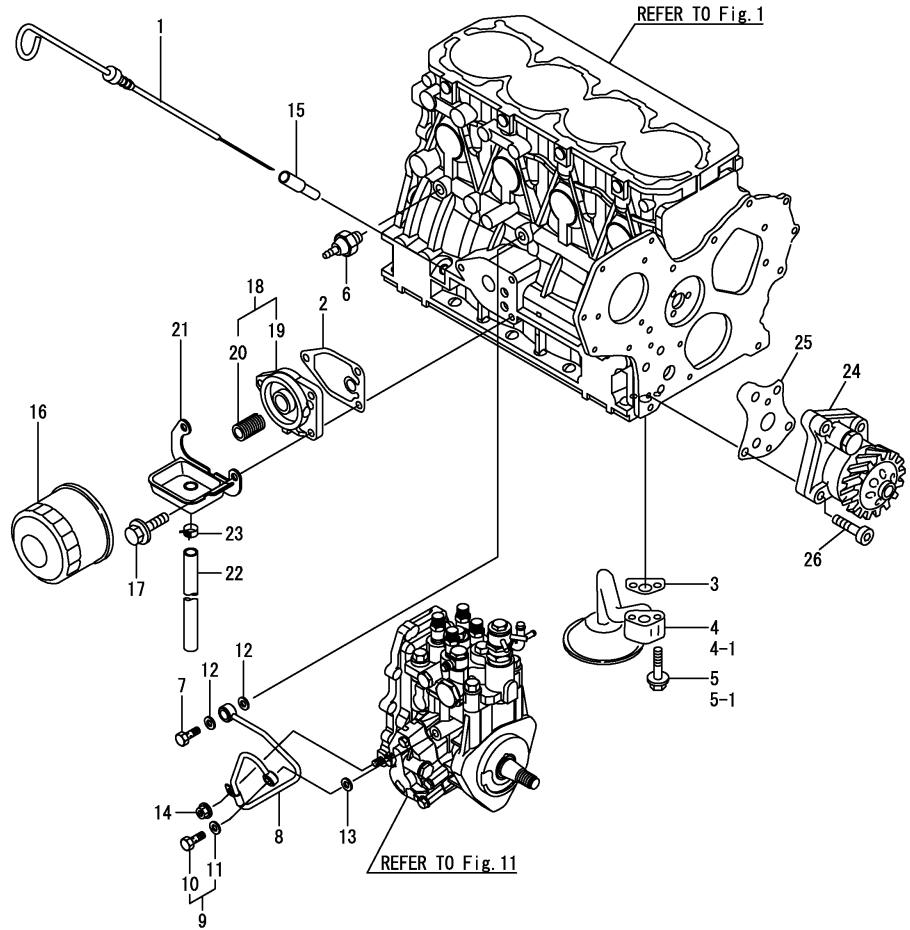
- (1)Repair parts.
- (2)Over-sized(O.S.=0.25) parts.
- (3)Under-sized(U.S.=0.25) parts.

Fig.9. LUB. OIL SYSTEM

(A)=4TNV88-BXBV
(B)=
(C)=

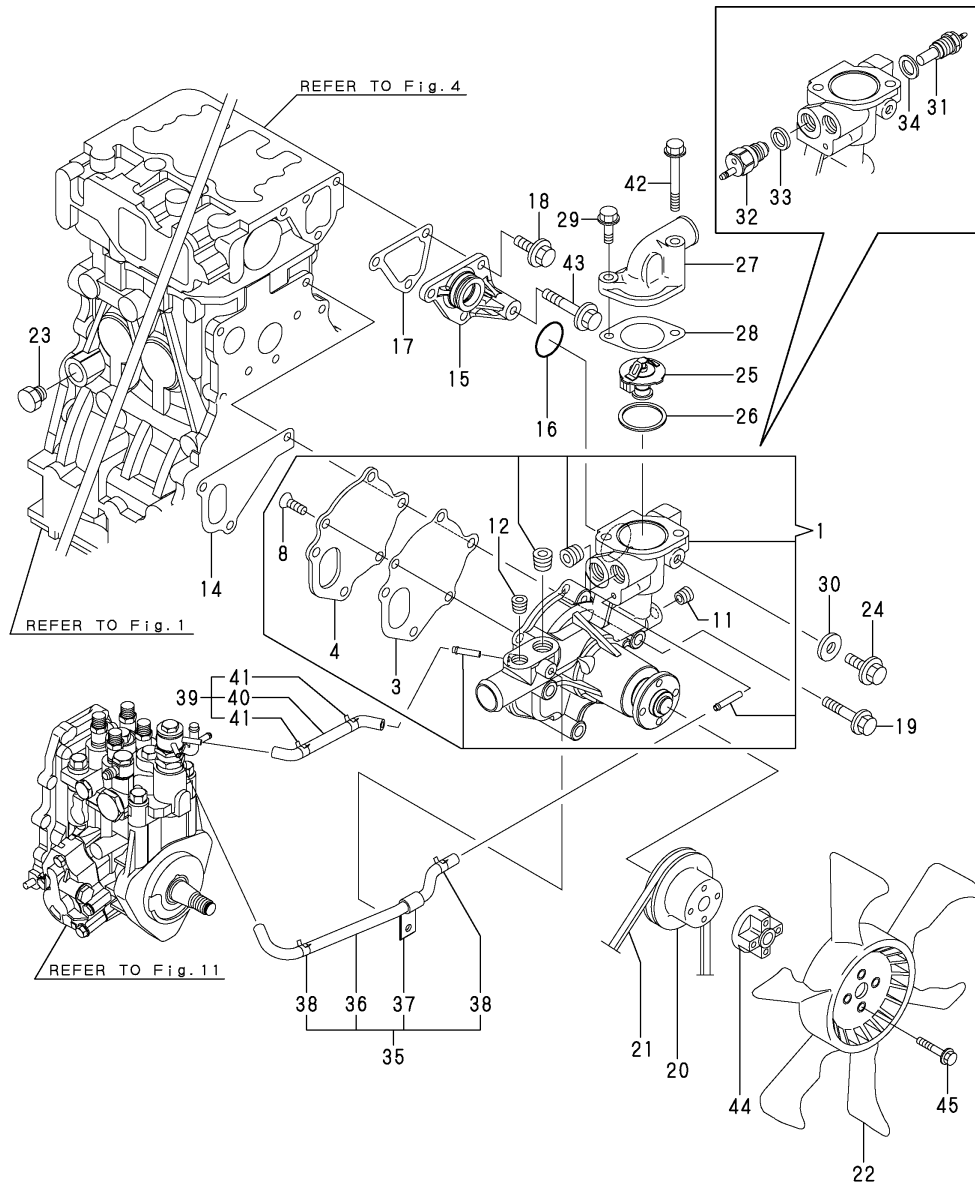
(D)=
(E)=
(F)=

No.	Lev.	Parts No.	Description	Q'ty						I	R
				(A)	(B)	(C)	(D)	(E)	(F)		
1	1	129642-34801	DIPSTICK	1							
2	1	129150-35111	GASKET	1							
3	1	129150-35042	GASKET	1							
4	1	129436-35091	PIPE ASSY, OIL INLET	1							
4-1	1	129436-35070	PIPE ASSY, OIL INLET	1							S
(A=EZZZZZ)											
5	1	26106-080352	BOLT, M8X 35 PLATED	2							
5-1	1	26106-080552	BOLT, M8X 55 PLATED	2							S
(A=EZZZZZ)											
6	1	114250-39450	SWITCH, HYDRAULIC	1							
7	1	124160-39140	BOLT, PIPE JOINT M10	1							
8	1	119802-39450	PIPE ASSY, OIL	1							
9	1	129005-59830	BOLT ASSY, JOINT M8	1							
10	2	23857-030000	BOLT, JOINT 3	1							
11	2	22190-080002	WASHER, SEAL 6	1							
12	1	22190-100002	WASHER, SEAL 10	2							
13	1	22190-080002	WASHER, SEAL 6	1							
14	1	26366-060002	NUT, M6	1							
15	1	121520-34810	GUIDE, DIPSTICK	1							
16	1	129150-35170	FILTER, LO	1							1
17	1	26106-080202	BOLT, M8X 20 PLATED	3							
18	1	119802-35100	BRACKET ASSY, FILTER	1							
19	2	119802-35110	BRACKET, FILTER	1							
20	2	129100-35140	BOLT, STUD	1							
21	1	129240-35800	SUMP, OIL	1							
22	1	23065-120230	PIPE, 12X 230	1							
23	1	23080-014000	CLAMP, 14	1							
24	1	129407-32000	PUMP ASSY, OIL	1							
25	1	129150-32020	GASKET, PUMP	1							
26	1	26450-060252	BOLT, M6X 25	4							



Remarks
(1)Repair parts.

Fig.10. COOLING WATER SYSTEM

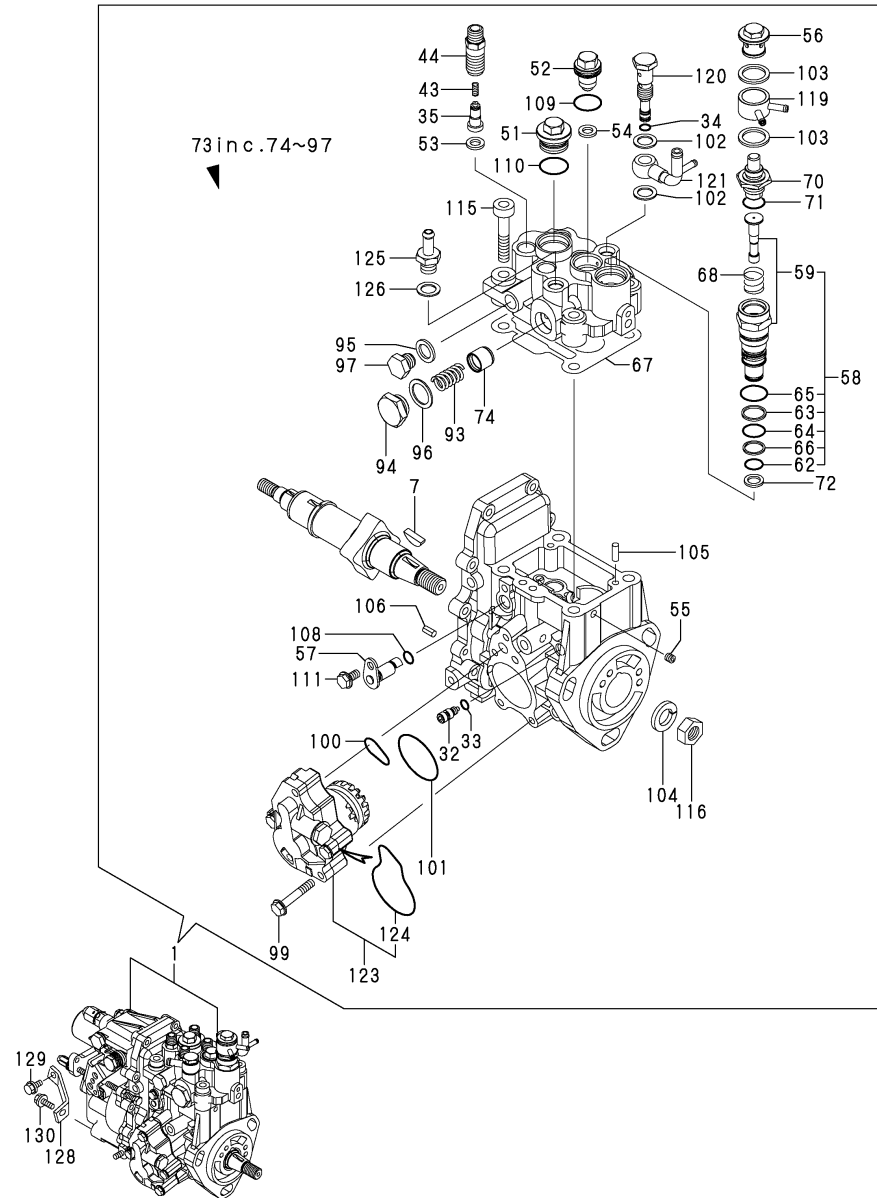


(A)=4TNV88-BXBV
(B)=
(C)=

(D)=
(E)=
(F)=

No.	Lev.	Parts No.	Description	Q'ty						I	R
				(A)	(B)	(C)	(D)	(E)	(F)		
1	1	129004-42001	PUMP ASSY, WATER	1							
3	2	129100-42051	GASKET, WATER PUMP	1							
4	2	129100-42121	PLATE, PUMP	1							
8	2	121850-42410	SCREW	3							
11	2	23876-010000	PLUG, R01	1							
12	2	23876-020000	PLUG, R02	1							
14	1	129486-42021	GASKET, WATER PUMP	1							
15	1	129004-42040	JOINT	1							
16	1	129486-42140	O-RING, G30	1							
17	1	124395-49840	GASKET, THERMOSTAT	1							
18	1	26106-080162	BOLT, M8X 16 PLATED	3							
19	1	26106-080602	BOLT, M8X 60 PLATED	3							
20	1	129556-42350	V-PULLEY, 96	1							
21	1	129612-42350	V-BELT, A38	1							
(A=EZZZZZ)											
21-1	1	129612-42330	V-BELT, A37.5	1							N
(A=EZZZZZ)											
22	1	171340-44740	FAN, COOLING D335XNF	1							
23	1	171056-49120	PLUG, DRAIN R1/4	1							
24	1	26106-080122	BOLT, M8X 12 PLATED	1							
25	1	129155-49801	THERMOSTAT, 71C	1							
26	1	129150-49811	GASKET, THERMOSTAT	1							
27	1	124101-49531	COVER, THERMOSTAT	1							
28	1	129795-49551	GASKET	1							
29	1	26106-080252	BOLT, M8X 25 PLATED	1							
30	1	23414-080000	GASKET, 8X1.0	1							
31	1	171056-49351	SENSOR, WATER TEMP.	1							
32	1	121250-44901	SWITCH, THERMO 110	1							
33	1	124465-44950	GASKET, 16	1							
34	1	129150-49360	GASKET	1							
35	1	129004-49610	HOSE ASSY, WATER	1							
36	2	129004-49711	HOSE, WATER	1							
37	2	119802-49730	RETAINER, PIPE	1							
38	2	124722-59050	CLAMP, HOSE 9	2							
39	1	129004-49620	HOSE ASSY, WATER	1							
40	2	129004-49721	HOSE, WATER	1							
41	2	124722-59050	CLAMP, HOSE 9	2							
42	1	26106-080652	BOLT, M8X 65 PLATED	1							
43	1	26106-080452	BOLT, M8X 45 PLATED	1							
44	1	121267-44760	SPACER, FAN	1							
45	1	26106-060302	BOLT, M6X 30 PLATED	4							

Fig.11. FUEL INJECTION PUMP



(A)=4TNV88-BXBV
(B)=
(C)=

(D)=
(E)=
(F)=

No.	Lev.	Parts No.	Description	Q'ty						I	R
				(A)	(B)	(C)	(D)	(E)	(F)		
1	1	729630-51300	FIE ASSY	1							1
1-1	1	729630-51301	FIE ASSY	1							N 1
(A=EB2638)											
1-2	1	729630-51430	FIE ASSY	1							S 2
(A=E_C1149)											
7	3	119802-51090	FEATHER KEY, 4X16	1							
32	3	158600-51270	STOPPER, TAPPET	1							
33	3	158563-51281	O-RING, 4D S6	1							
34	3	158563-51281	O-RING, 4D S6	1							
35	3	129008-51300	VALVE ASSY, DELIVERY	4							
43	3	158563-51330	SPRING, DELIVERY	4							
44	3	129008-51340	HOLDER, DELIVERY	4							
51	3	158601-51550	PLUG, M22	1							
52	3	119802-51560	PLUG, M14	1							
53	3	158552-51570	GASKET, PLUG	3							
54	3	158552-51570	GASKET, PLUG	1							
55	3	158557-51570	PLUG, RACK	1							
56	3	158601-51570	PLUG	1							
57	3	158552-51580	LIFTER, LINK	1							
58	3	119802-51590	TIMER ASSY	1							
59	4	119802-51600	TIMER ASSY	1							
62	4	158553-51670	O-RING	1							
63	4	119802-51680	RING, BACKUP	1							
64	4	119802-51690	O-RING	1							
65	4	24356-010200	O-RING, 4D1020	1							
66	4	24372-000150	RING, BACK UP T2P15	1							
67	3	158552-51600	GASKET	1							
68	3	158553-51630	SPRING, TIMER	1							
70	3	158553-51640	THERMOELEMENT	1							
70-1	3	158553-51650	THERMOELEMENT	1							N
(A=EB2638)											
71	3	158553-51660	O-RING, P14	1							
72	3	158553-51680	GASKET, TIMER	1							
73	3	129604-51740	HEAD ASSY, HYDRAULIC	1							
74	4	158601-51770	PISTON, ACCUMLATOR	1							
93	4	158552-51781	SPRING, ACCUMULATOR	1							
94	4	158601-51790	PLUG	1							
95	4	22190-120002	WASHER, SEAL 12	1							
96	4	22190-180002	WASHER, SEAL 18	1							
97	4	23887-120002	PLUG, 12	1							
99	3	158553-51770	BOLT	4							
100	3	158552-52310	O-RING	1							
101	3	158552-52400	O-RING, 4E S42	1							
102	3	22190-120002	WASHER, SEAL 12	2							
103	3	22190-180002	WASHER, SEAL 18	2							
104	3	22217-140000	WASHER, SPRING 14	1							
105	3	22312-050140	PIN, PARALLEL M5X14	2							
106	3	22351-050010	PIN, SPRING 5.0X10	2							
108	3	24311-000070	O-RING, 1AP7.0	1							
109	3	24356-010180	O-RING, 4D1018	1							
110	3	24356-010200	O-RING, 4D1020	1							

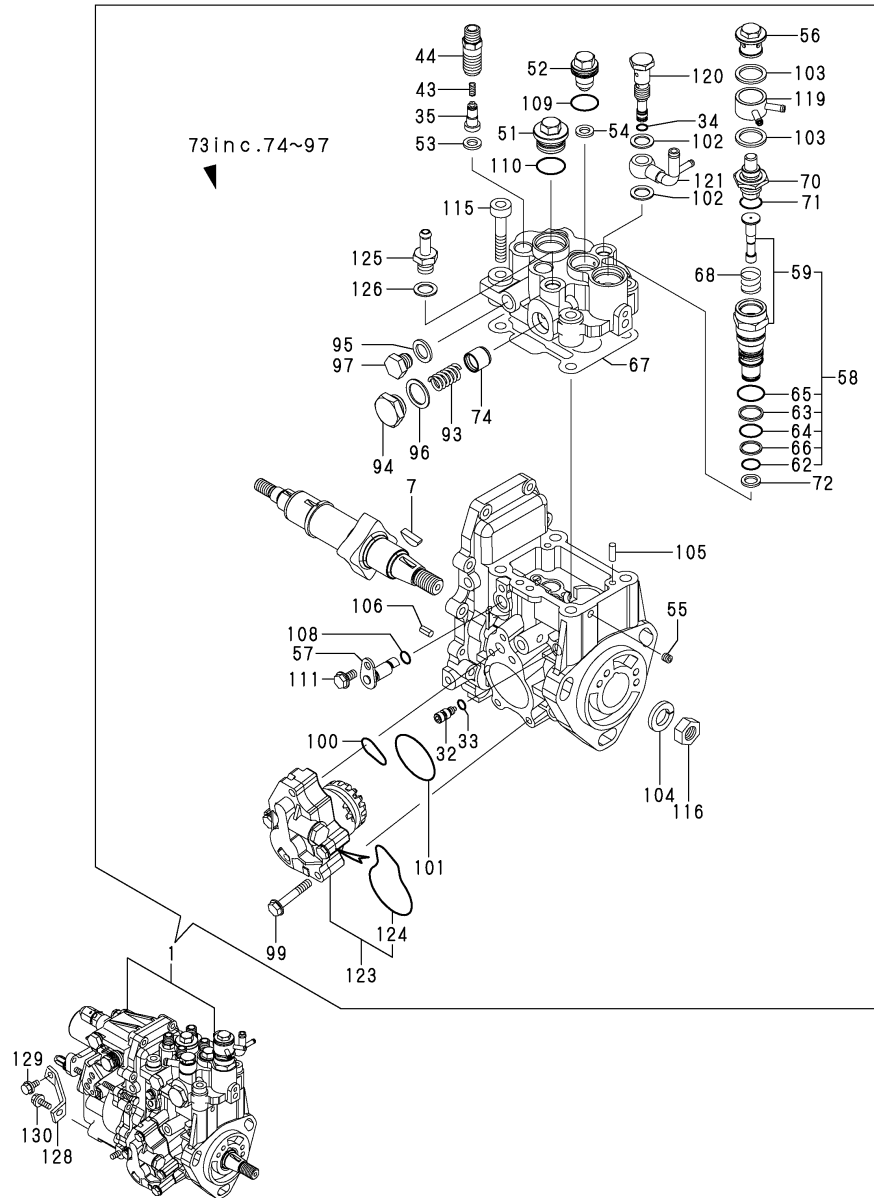
Remarks

- (1)Governor(Fig.12) is incorporated in this Fuel Injection Pump(No.1).
- (2)Interchangeable by simultaneous replacement with No.1-2 & Fig.13 No.1-1.

Fig.11. FUEL INJECTION PUMP

(A)=4TNV88-BXBV
(B)=
(C)=

(D)=
(E)=
(F)=



No.	Lev.	Parts No.	Description	Q'ty						I	R
				(A)	(B)	(C)	(D)	(E)	(F)		
111	3	26106-060102	BOLT, M6X 10 PLATED	1							
115	3	26450-080452	BOLT, M8X 45	4							
116	3	26776-140002	NUT, LOCK M14	1							
119	2	158553-51551	JOINT, COOLING WATER	1							
120	2	158601-51650	JOINT, OVER FLOW	1							
121	2	158552-51670	JOINT, OVER FLOW	1							
123	2	158552-52100	PUMP ASSY, FUEL FEED	1							
124	3	158552-52500	O-RING	1							
125	2	119934-59910	JOINT, PIPE	1							
126	2	22190-120002	WASHER, SEAL 12	1							
128	1	129601-51250	RETAINER, PUMP	1							
129	1	26106-080162	BOLT, M8X 16 PLATED	1							
130	1	26106-080202	BOLT, M8X 20 PLATED	1							

Remarks

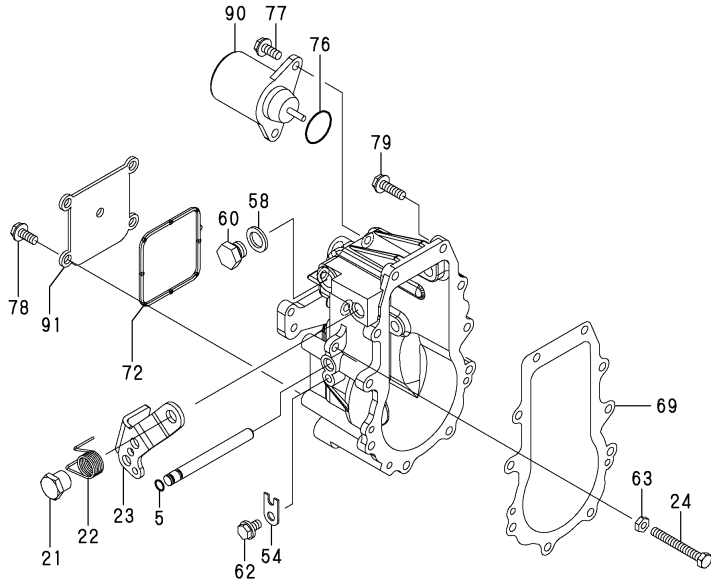
- (1)Governor(Fig.12) is incorporated in this Fuel Injection Pump(No.1).
- (2)Interchangeable by simultaneous replacement with No.1-2 & Fig.13 No.1-1.

N:Old $\xrightarrow{\text{Yes}}$ New, Q:Old $\xrightarrow{\text{No}}$ New, R:Old $\xrightarrow{\text{Yes}}$ New, S:Old $\xrightarrow{\text{No}}$ New, W:Add, Z:Discontinued, F:Interchangeable by set, K:Q'ty Change

Fig.12. GOVERNOR

(A)=4TNV88-BXBV
(B)=
(C)=

(D)=
(E)=
(F)=



No.	Lev.	Parts No.	Description	Q'ty						I	R
				(A)	(B)	(C)	(D)	(E)	(F)		
5	4	129155-51280	O-RING, S6	1							
21	4	129255-61410	NUT, M8	1							
22	4	119807-61420	SPRING, RETURN	1							
23	4	158552-61441	LEVER, REGULATOR	1							
24	4	129155-61460	BOLT, LIMITING	1							
54	4	119660-61901	STOPPER, SHAFT	1							
58	4	22190-120000	WASHER, SEAL 12	1							
60	4	23887-120002	PLUG, 12	1							
62	4	26106-060102	BOLT, M6X 10 PLATED	1							
63	4	26756-060002	NUT, LOCK M6	1							
69	3	158553-61050	GASKET	1							
72	3	158553-61070	GASKET	1							
76	3	158552-61900	O-RING	1							
77	3	26106-060142	BOLT, M6X 14 PLATED	2							
78	3	26106-060142	BOLT, M6X 14 PLATED	4							
79	3	26106-060202	BOLT, M6X 20 PLATED	10							
90	2	119233-77932	SOLENOID, STOP	1							
91	2	129642-61060	COVER, GOVERNOR CASE	1							

Remarks

* This figure(Governor) is incorporated in the Fuel Injection Pump(Fig.11).

Fig.13. FUEL INJECTION VALVE

(A)=4TNV88-BXBV

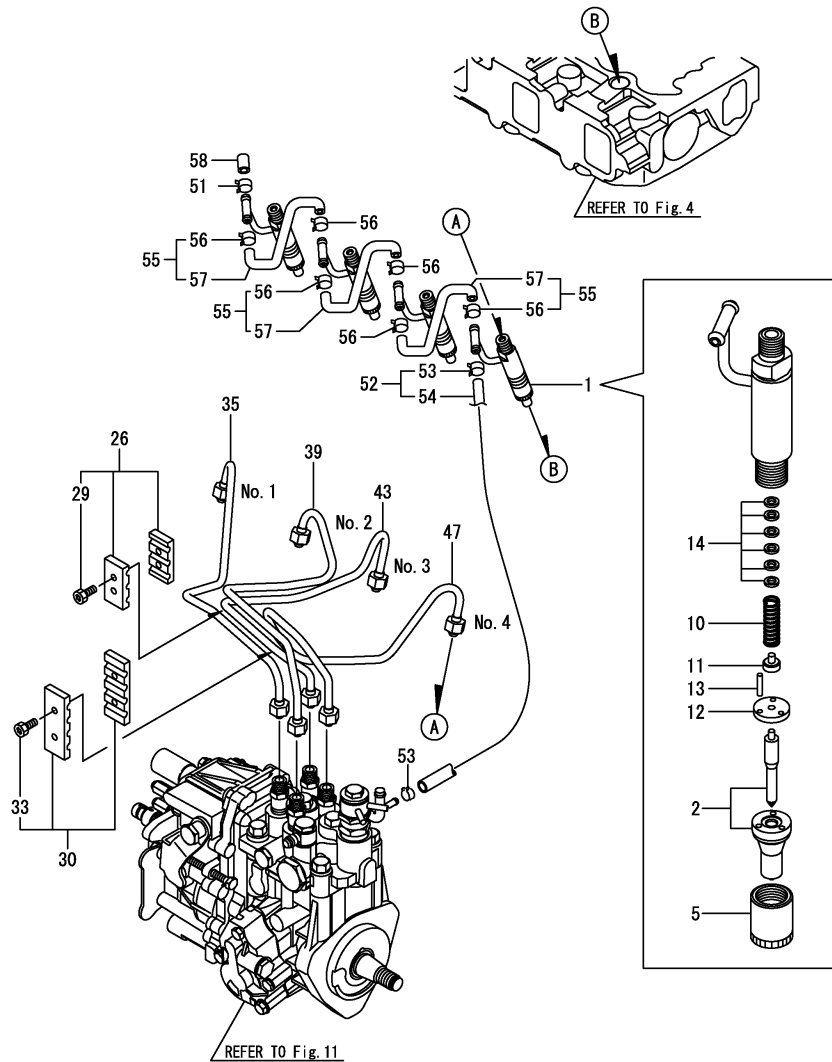
(B)=

(C)=

(D)=

(E)=

(F)=



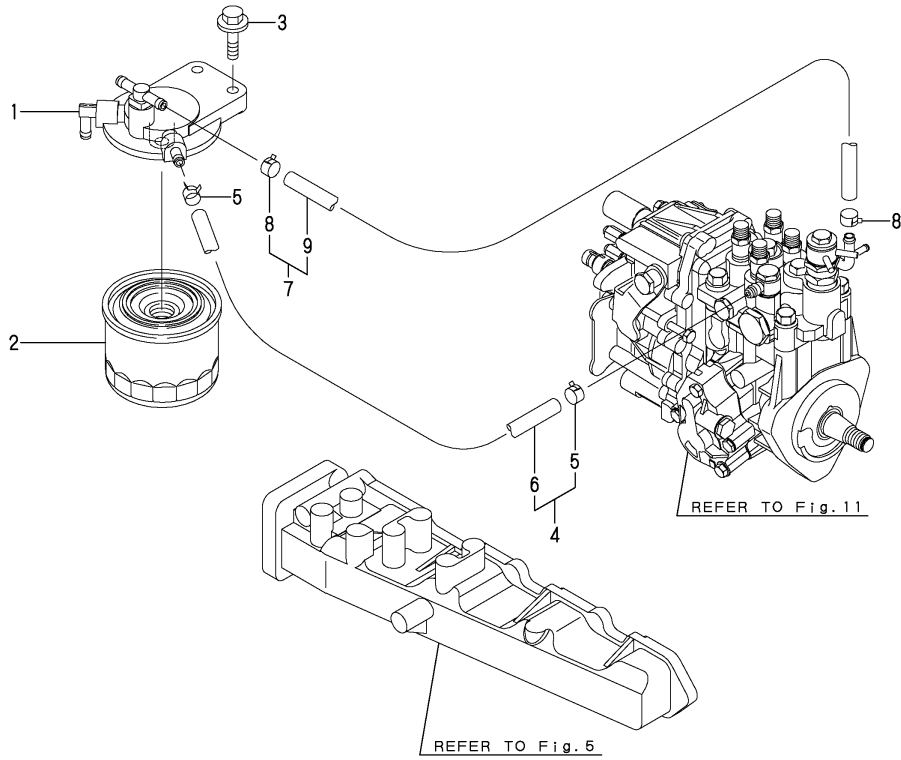
No.	Lev.	Parts No.	Description	Q'ty						I	R
				(A)	(B)	(C)	(D)	(E)	(F)		
1	1	729604-53100	FUEL INJECTOR ASSY	4							
1-1	1	729604-53300	FUEL INJECTOR ASSY	4						S	1
(A=E_C1149)											
2	2	129604-53000	NOZZLE ASSY, F.I.	4							
2-1	2	129604-53300	NOZZLE ASSY, F.I.	4							S
(A=E_C1149)											
5	2	114250-53080	NUT, NOZZLE	4							
10	2	114250-53120	SPRING, NOZZLE	4							
11	2	114250-53130	SEAT, SPRING	4							
12	2	114250-53140	SPACER	4							
13	2	114250-53210	PIN	8							
14	2	119803-53400	SHIM SET	1							
26	1	129150-59120	RETAINER, PIPE	1							
29	2	129150-59131	BOLT, M4X14	2							
30	1	129550-59120	RETAINER, PIPE	1							
33	2	129150-59131	BOLT, M4X14	2							
35	1	129601-59810	PIPE ASSY, INJECTION	1							
39	1	129601-59820	PIPE ASSY, INJECTION	1							
43	1	129601-59830	PIPE ASSY, INJECTION	1							
47	1	129601-59840	PIPE ASSY, INJECTION	1							
51	1	124066-59100	CLAMP, HOSE 8	2							
52	1	119802-59550	HOSE ASSY, RETURN	1							
53	2	124722-59050	CLAMP, HOSE 9	2							
54	2	119802-59560	HOSE, FUEL RETURN	1							
55	1	129486-59551	HOSE ASSY, RETURN	3							
56	2	124722-59050	CLAMP, HOSE 9	6							
57	2	129486-59510	HOSE, FUEL RETURN	3							
58	1	119593-59581	CAP	1							

Remarks

(1)Interchangeable by simultaneous replacement with No.1-1 & Fig.11 No.1-2.

N:Old $\begin{matrix} \leftarrow \text{Yes} \\ \text{No} \end{matrix}$ New, Q:Old $\begin{matrix} \leftarrow \text{No} \\ \text{Yes} \end{matrix}$ New, R:Old $\begin{matrix} \leftarrow \text{Yes} \\ \text{Yes} \end{matrix}$ New, S:Old $\begin{matrix} \leftarrow \text{No} \\ \text{No} \end{matrix}$ New, W:Add, Z:Discontinued, F:Interchangeable by set, K:Q'ty Change

Fig.14. FUEL PIPE

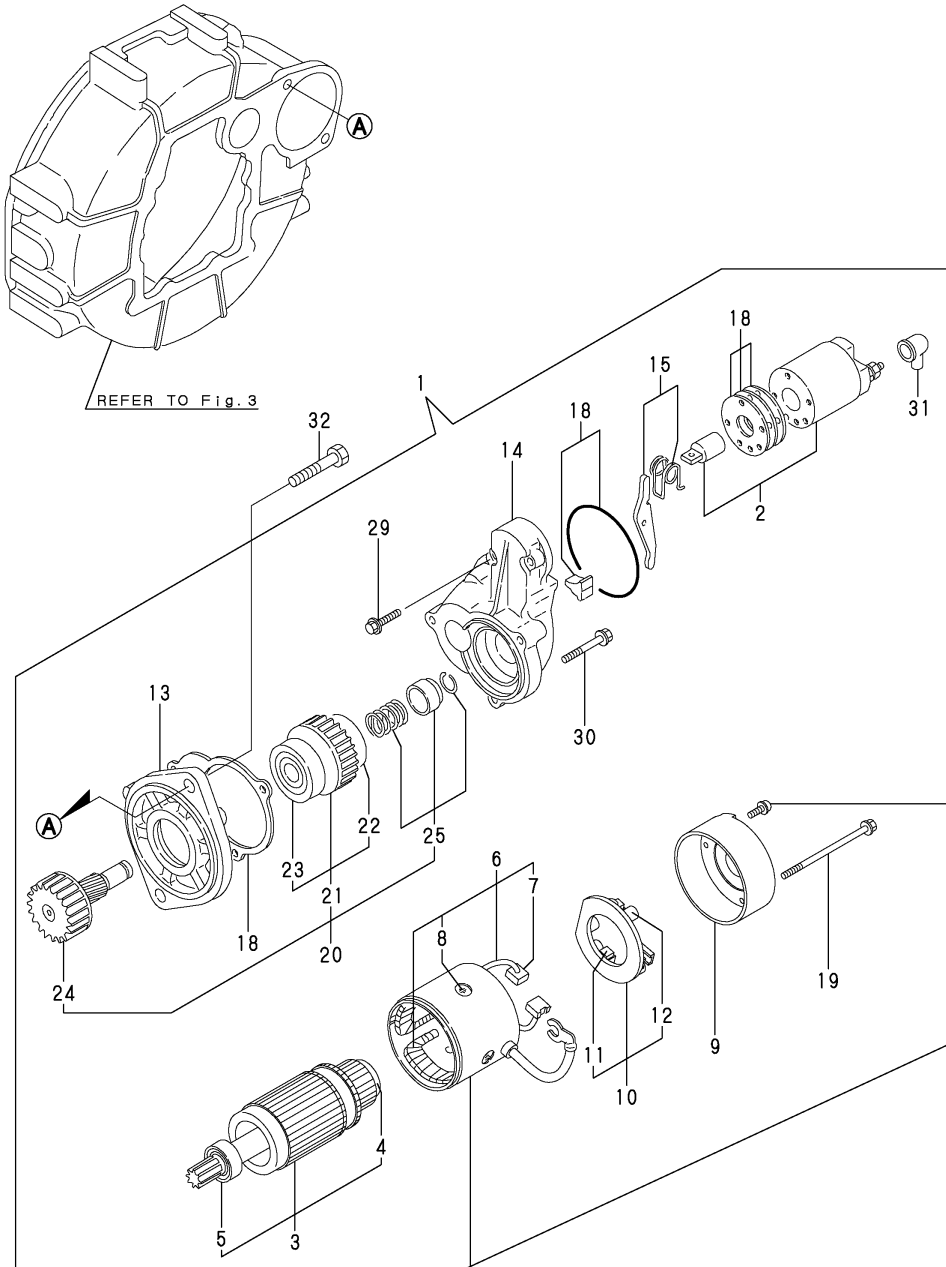


(A)=4TNV88-BXBV
 (B)=
 (C)=

(D)=
 (E)=
 (F)=

No.	Lev.	Parts No.	Description	Q'ty						I	R
				(A)	(B)	(C)	(D)	(E)	(F)		
1	1	129004-55612	BRACKET, FILTER	1							
2	1	119802-55810	FILTER,FO	1							
3	1	26106-080302	BOLT, M8X 30 PLATED	2							
4	1	129210-59110	HOSE ASSY, FUEL	1							
5	2	124766-59050	CLAMP, HOSE 11.5	2							
6	2	105025-59560	HOSE, FUEL	1							
7	1	129210-59150	HOSE ASSY, FUEL	1							
8	2	124766-59050	CLAMP, HOSE 11.5	2							
9	2	105025-59530	HOSE, FUEL D13X400	1							

Fig.15. STARTER MOTOR



(A)=4TNV88-BXBV
(B)=
(C)=

(D)=
(E)=
(F)=

No.	Lev.	Parts No.	Description	Qty						I	R
				(A)	(B)	(C)	(D)	(E)	(F)		
1	1	129136-77011	STARTER ASSY	1							
2	2	129136-77310	SWITCH ASSY	1							
3	2	129900-77400	ARMATURE ASSY	1							
4	3	X2130350900	BEARING, BALL	1							
5	3	X2114255110	BEARING, BALL	1							
6	2	129900-77440	COIL ASSY, FIELD	1							
7	3	129900-77450	BRUSH	2							
8	3	171008-77450	SCREW, CORE SET	4							
9	2	129900-77460	COVER	1							
10	2	129900-77480	HOLDER ASSY, BRUSH	1							
11	3	129900-77450	BRUSH	2							
12	3	129400-77490	SPRING, BRUSH	4							
13	2	171008-77510	CASE, GEAR	1							
14	2	129136-77520	HOUSING, STARTOR	1							
15	2	171008-77540	LEVER SET	1							
18	2	129400-77571	COVER KIT, DUST	1							
19	2	129900-77640	BOLT, THROUGH	2							
20	2	171008-77650	PINION ASSY,W/CLUTCH	1							
21	3	X2114555500	CLUTCH ASSY	1							
22	4	X2114955020	BEARING, BALL	1							
23	4	X2240410100	BEARING, BALL	1							
24	3	171008-77660	SHAFT, PINION	1							
25	3	171008-77670	STOPPER SET, PINION	1							
29	2	26106-060322	BOLT, M6X 32 PLATED	2							
30	2	26106-060402	BOLT, M6X 40 PLATED	3							
31	2	171008-77750	COVER, TERMINAL	1							
32	1	26116-120252	BOLT, M12X 25 PLATED	2							

Fig.16. GENERATOR

(A)=4TNV88-BXBV

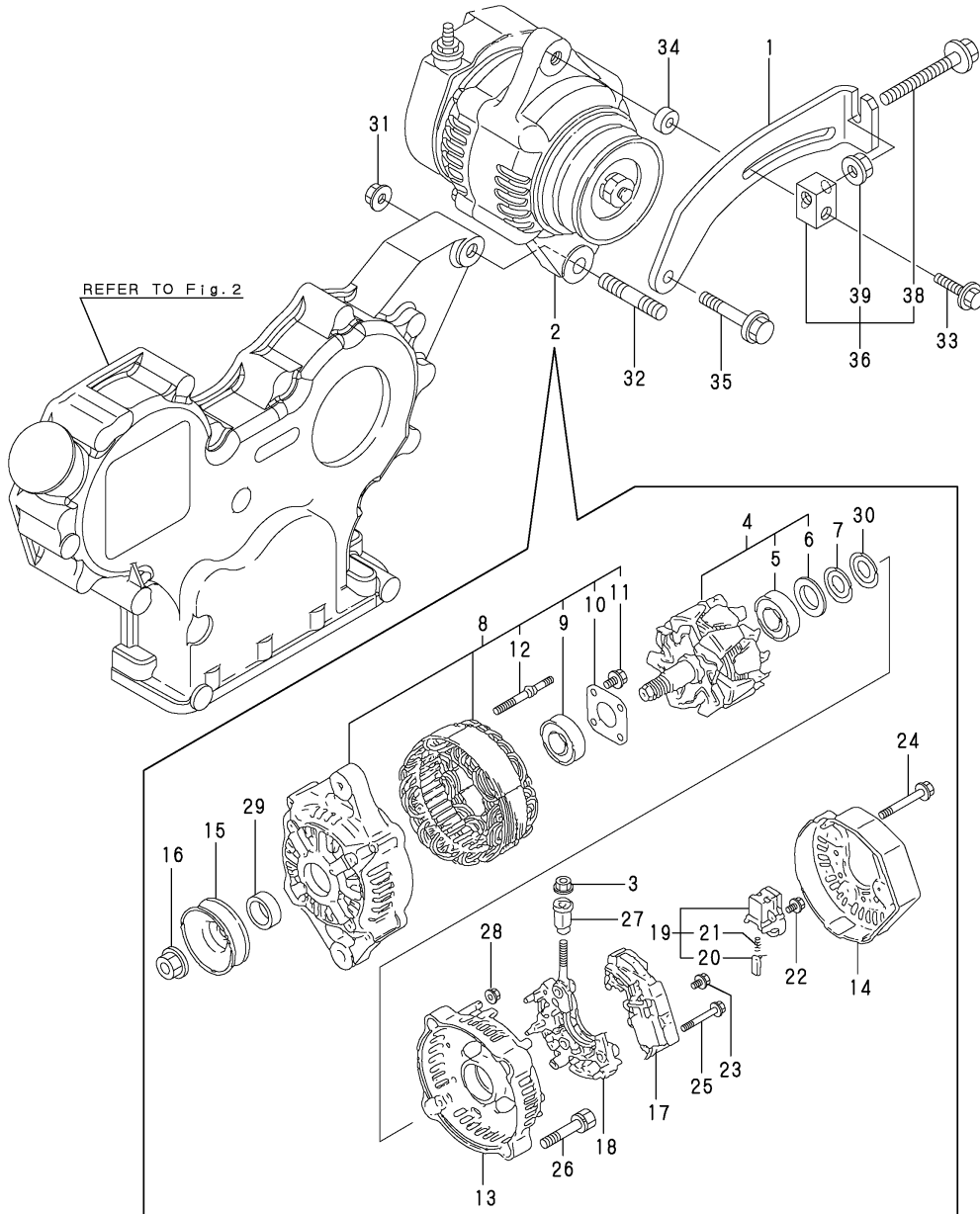
(B)=

(C)=

(D)=

(E)=

(F)=

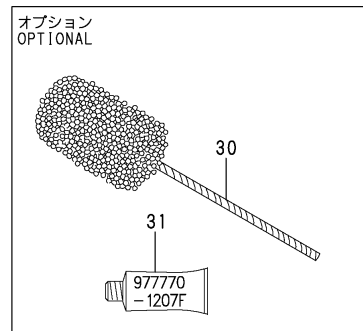
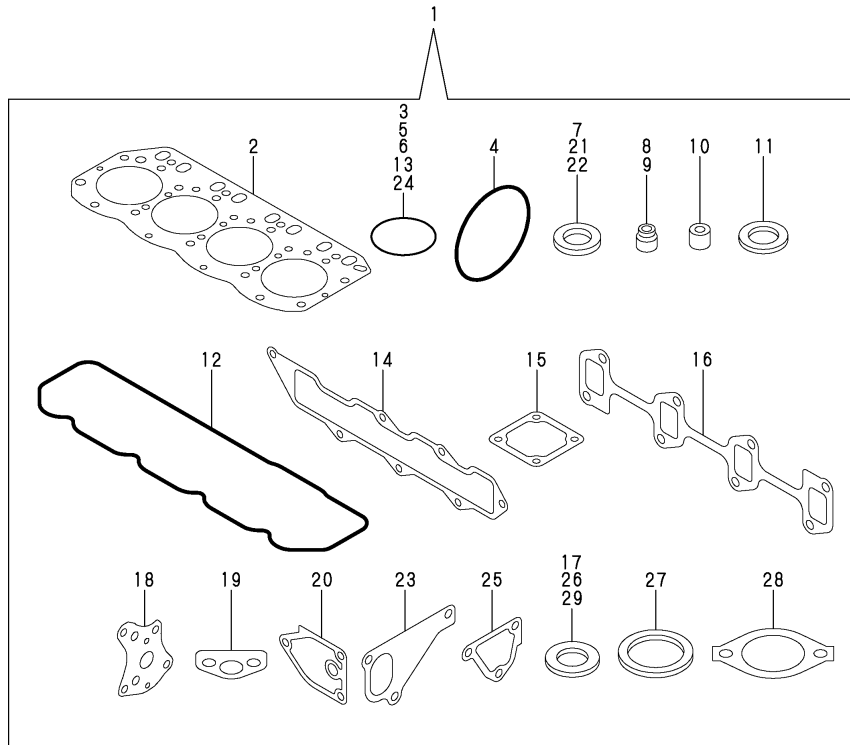


No.	Lev.	Parts No.	Description	Q'ty						I	R
				(A)	(B)	(C)	(D)	(E)	(F)		
1	1	119940-77310	ADJUSTER, BELT	1							
2	1	129423-77200	GENERATOR ASSY, 40A	1							
3	2	X9490561001	NUT	1							
4	2	119620-77380	ROTOR ASSY	1							
5	3	123501-79240	BEARING, BALL	1							
6	3	119620-79250	COVER, BEARING	1							
7	2	119620-79360	WASHER, THRUST	1							
8	2	119620-77421	FRAME ASSY,GENERATOR	1							
9	3	119620-79200	BEARING, BALL	1							
10	3	119620-79210	RETAINER	1							
11	3	119620-79220	SCREW	4							
12	3	119620-79230	BOLT, STUD	2							
13	2	119620-77440	FRAME ASSY	1							
14	2	129240-79300	COVER	1							
15	2	119620-77461	PULLEY, GENERATOR	1							
16	2	119620-77471	NUT	1							
17	2	129423-77710	REGULATOR ASSY	1							
18	2	119620-79260	HOLDER	1							
19	2	129052-79270	HOLDER, BRUSH	1							
20	3	119620-77480	BRUSH	2							
21	3	119620-79280	SPRING	2							
22	2	119620-79290	SCREW	1							
23	2	119620-79300	SCREW	1							
24	2	119620-79310	BOLT	3							
25	2	119620-79320	SCREW	2							
26	2	119620-79330	BOLT	2							
27	2	119620-79340	BUSH, INSULATION	1							
28	2	119620-79350	NUT	2							
29	2	119620-77490	COLLAR	1							
30	2	119620-79360	WASHER, THRUST	1							
31	1	26306-100002	NUT, M10	1							
32	1	129795-01900	BOLT, STUD M10X33	1							
33	1	26106-080552	BOLT, M8X 55 PLATED	1							
34	1	119940-77270	SPACER	1							
35	1	26106-080452	BOLT, M8X 45 PLATED	1							
36	1	119624-77351	BLOCK ASSY, ADJUSTER	1							
38	2	26106-081004	BOLT, M8X100 PLATED	1							
39	2	26306-080002	NUT, M8	1							

Fig.17. GASKET SET & TOOL

(A)=4TNV88-BXBV
(B)=
(C)=

(D)=
(E)=
(F)=



No.	Lev.	Parts No.	Description	Q'ty						I	R
				(A)	(B)	(C)	(D)	(E)	(F)		
1	1	729602-92650	GASKET SET	1							1
2	2	129407-01340	GASKET, HEAD	1							
3	2	119609-32040	O-RING, P16	2							
4	2	121850-51960	O-RING	1							
5	2	24311-000320	O-RING, 1AP32.0	3							
6	2	24341-000240	O-RING, 1AS24.0	1							
7	2	22190-220002	WASHER, SEAL 22	1							
8	2	121400-11340	SEAL, VALVE STEM	4							
9	2	124460-11340	SEAL, VALVE STEM	4							
10	2	119802-11870	PROTECTOR, NOZZLE	4							
11	2	119625-11880	SEAT, NOZZLE	4							
12	2	129601-11310	GASKET, BONNET	1							
13	2	24311-000120	O-RING, 1AP12.0	3							
14	2	129407-12110	GASKET, MANIFOLD	1							
15	2	129150-77511	GASKET, AIR HEATER	1							
16	2	129550-13110	GASKET, EXH.MANIFOLD	1							
17	2	129150-49360	GASKET	1							
18	2	129150-32020	GASKET, PUMP	1							
19	2	129150-35042	GASKET	1							
20	2	129150-35111	GASKET	1							
21	2	22190-080002	WASHER, SEAL 6	2							
22	2	22190-100002	WASHER, SEAL 10	2							
23	2	129486-42021	GASKET, WATER PUMP	1							
24	2	129486-42140	O-RING, G30	1							
25	2	124395-49840	GASKET, THERMOSTAT	1							
26	2	23414-080000	GASKET, 8X1.0	1							
27	2	129150-49811	GASKET, THERMOSTAT	1							
28	2	129795-49551	GASKET	1							
29	2	124465-44950	GASKET, 16	2							
30	1	129400-92430	HONE, FLEX	1							1
31	1	977770-1207F	GASKET.LIQUID	1							1

Remarks

(1)Optional parts.

N:Old $\begin{matrix} \leftarrow \text{Yes} \\ \text{No} \end{matrix}$ New, Q:Old $\begin{matrix} \leftarrow \text{No} \\ \text{Yes} \end{matrix}$ New, R:Old $\begin{matrix} \leftarrow \text{Yes} \\ \text{Yes} \end{matrix}$ New, S:Old $\begin{matrix} \leftarrow \text{No} \\ \text{No} \end{matrix}$ New, W:Add, Z:Discontinued, F:Interchangeable by set, K:Q'ty Change

Parts No. Index

Parts No.	Fig. No.	Ref. No.
105025-59530	14	9
105025-59560	14	6
114250-39450	9	6
114250-53080	13	5
114250-53120	13	10
114250-53130	13	11
114250-53140	13	12
114250-53210	13	13
119131-18320	6	5
119233-77932	12	90
119593-59581	13	58
119609-32040	2	17
	17	3
119620-01750	3	3
119620-77380	16	4
119620-77421	16	8
119620-77440	16	13
119620-77461	16	15
119620-77471	16	16
119620-77480	16	20
119620-77490	16	29
119620-79200	16	9
119620-79210	16	10
119620-79220	16	11
119620-79230	16	12
119620-79250	16	6
119620-79260	16	18
119620-79280	16	21
119620-79290	16	22
119620-79300	16	23
119620-79310	16	24
119620-79320	16	25
119620-79330	16	26
119620-79340	16	27
119620-79350	16	28
119620-79360	16	7
		30
119624-77351	16	36
119625-11880	4	19
	17	11
119626-07900	4	53
119640-01640	3	9
119660-61901	12	54
119802-01561	2	13
119802-03110	4	40
119802-03121	4	41
119802-03130	4	42
119802-03141	4	43
119802-11260	4	25
119802-11270	4	26

Parts No.	Fig. No.	Ref. No.
119802-11870	4	18
	17	10
119802-21650	8	9
119802-25071	7	12
119802-25101	7	10
119802-25901	7	14
119802-35100	9	18
119802-35110	9	19
119802-39450	9	8
119802-49730	10	37
119802-51090	11	7
119802-51560	11	52
119802-51590	11	58
119802-51600	11	59
119802-51680	11	63
119802-51690	11	64
119802-55810	14	2
119802-59550	13	52
119802-59560	13	54
119803-01520	2	12
119803-25050	7	9
119803-53400	13	14
119803-77830	4	57
119807-61420	12	22
119865-21600	8	15
119934-01800	2	4
119934-59910	11	125
119940-07900	4	58
119940-77270	16	34
119940-77310	16	1
120130-11860	4	5
120270-54410	4	22
121023-01551	2	10
121111-21501	8	12
121250-44901	10	32
121267-44760	10	44
121400-11340	4	15
	17	8
121520-34810	9	15
121550-23200	8	29
121850-21680	8	11
121850-42410	10	8
121850-51960	2	21
	17	4
123501-79240	16	5
123900-13610	6	3
123900-13630	6	4
124060-01050	1	10
124066-59100	13	51
124101-49531	10	27

Parts No.	Fig. No.	Ref. No.
124160-01751	2	14
	4	49
124160-01910	1	5
		15
124160-11360	4	51
124160-39140	9	7
124240-01871	2	15
124395-49840	10	17
	17	25
124460-11340	4	16
	17	9
124465-44950	10	33
	17	29
124722-59050	10	38
		41
	13	53
		56
124766-59050	14	5
		8
129001-01250	1	11
129001-02931	1	25
129001-91841	2	22
129004-03010	4	38
129004-11650	4	30
129004-11900	4	20
129004-42001	10	1
129004-42040	10	15
129004-49610	10	35
129004-49620	10	39
129004-49711	10	36
129004-49721	10	40
129004-55612	14	1
129005-11100	4	10
129005-22080	8	16
129005-22500	8	18
129005-22900	8	32
129005-22950	8	34
129005-59830	9	9
129008-51300	11	35
129008-51340	11	44
129008-77800	4	55
129052-79270	16	19
129100-01580	3	1
		15
	8	2
129100-01640	3	16
129100-11112	4	11
129100-23910	8	28
129100-35140	9	20
129100-42051	10	3

Parts No.	Fig. No.	Ref. No.
129100-42121	10	4
129136-77011	15	1
129136-77310	15	2
129136-77520	15	14
129150-01200	1	31
129150-01650	3	17
129150-02020	1	7
129150-02450	7	4
129150-02871	1	33
129150-02931	1	28
129150-02941	1	36
129150-03070	4	39
129150-11230	4	31
129150-11280	4	27
129150-11370	4	17
129150-11750	4	33
129150-11810	4	7
129150-14101	7	7
129150-14200	7	1
129150-14400	7	2
129150-23601	8	30
129150-23611	8	38
129150-25301	7	15
129150-32020	9	25
	17	18
129150-35042	9	3
	17	19
129150-35111	9	2
	17	20
129150-35170	9	16
129150-49360	10	34
	17	17
129150-49811	10	26
	17	27
129150-59120	13	26
129150-59131	13	29
		33
129150-77511	5	9
	17	15
129155-49801	10	25
129155-51280	12	5
129155-61460	12	24
129170-12580	5	10
129202-22300	8	22
129210-59110	14	4
129210-59150	14	7
129240-35800	9	21
129240-79300	16	14
129255-61410	12	21
129400-01730	3	6

Parts No. Index

Parts No.	Fig. No.	Ref. No.
129400-13101	6	1
129400-77490	15	12
129400-77571	15	18
129400-92430	17	30
129407-01340	1	32
	17	2
129407-12110	5	5
	17	14
129407-32000	9	24
129410-03990	5	2
129423-77200	16	2
129423-77710	16	17
129436-01780	3	8
129436-35070	9	4 -1
129436-35091	9	4
129486-01670	3	19
129486-12581	5	8
129486-42021	10	14
	17	23
129486-42140	10	16
	17	24
129486-59510	13	57
129486-59551	13	55
129489-21590	8	13
129550-13110	6	2
	17	16
129550-59120	13	30
129556-42350	10	20
129601-03080	5	1
129601-11241	4	24
129601-11251	4	28
129601-11310	4	46
	17	12
129601-11350	4	37
129601-12100	5	3
129601-51250	11	128
129601-59810	13	35
129601-59820	13	39
129601-59830	13	43
129601-59840	13	47
129604-11700	4	1
129604-21000	8	1
129604-51740	11	73
129604-53000	13	2
129604-53300	13	2 -1
129604-77821	4	56
129612-01600	3	2
129612-42330	10	21 -1
129612-42350	10	21
129642-34801	9	1

Parts No.	Fig. No.	Ref. No.
129642-61060	12	91
129648-07900	4	58 -1
129795-01780	3	18
129795-01900	16	32
129795-01950	2	16
129795-02412	1	14
129795-11120	4	12
129795-11180	4	13
129795-21661	8	10
129795-49551	10	28
	17	28
129900-77400	15	3
129900-77440	15	6
129900-77450	15	7
		11
129900-77460	15	9
129900-77480	15	10
129900-77640	15	19
158552-51151	7	17
158552-51570	11	53
		54
158552-51580	11	57
158552-51600	11	67
158552-51670	11	121
158552-51781	11	93
158552-52100	11	123
158552-52310	11	100
158552-52400	11	101
158552-52500	11	124
158552-61441	12	23
158552-61900	12	76
158553-51551	11	119
158553-51630	11	68
158553-51640	11	70
158553-51650	11	70 -1
158553-51660	11	71
158553-51670	11	62
158553-51680	11	72
158553-51770	11	99
158553-61050	12	69
158553-61070	12	72
158557-51570	11	55
158563-51281	11	33
		34
158563-51330	11	43
158600-51270	11	32
158601-51550	11	51
158601-51570	11	56
158601-51650	11	120
158601-51770	11	74

Parts No.	Fig. No.	Ref. No.
158601-51790	11	94
171008-77450	15	8
171008-77510	15	13
171008-77540	15	15
171008-77650	15	20
171008-77660	15	24
171008-77670	15	25
171008-77750	15	31
171031-11741	2	8
171051-01921	1	6
171056-49120	10	23
171056-49351	10	31
171340-44740	10	22
22190-080002	2	5
	9	11
		13
	17	21
22190-100002	9	12
	17	22
22190-120000	12	58
22190-120002	11	95
		102
		126
22190-180002	11	96
		103
22190-220002	3	11
	17	7
22217-140000	7	18
	11	104
22252-000260	8	23
22312-050140	11	105
22351-030010	8	8
22351-050010	11	106
22351-060012	4	21
22512-070140	7	8
22857-500100	4	47
		48
23065-120230	9	22
23080-014000	9	23
23414-080000	10	30
	17	26
23857-030000	9	10
23876-010000	10	11
23876-020000	10	12
23887-120002	11	97
	12	60
24311-000070	11	108
24311-000120	4	52
	17	13
24311-000320	2	19

Parts No.	Fig. No.	Ref. No.
24311-000320	2	24
	4	50
	17	5
24341-000240	2	9
	17	6
24356-010180	11	109
24356-010200	11	65
		110
24372-000150	11	66
26106-060102	11	111
	12	62
26106-060142	12	77
		78
26106-060162	2	7
26106-060202	12	79
26106-060302	10	45
26106-060322	15	29
26106-060402	15	30
26106-080122	10	24
26106-080142	4	54
	7	16
26106-080162	2	18
		23
	3	12
	4	59
	10	18
	11	129
26106-080202	5	6
	9	17
	11	130
26106-080252	3	13
	4	35
	10	29
26106-080302	2	6
	14	3
26106-080352	3	20
	4	23
	9	5
26106-080402	5	11
	7	13
26106-080452	3	14
		14 -1
	10	43
	16	35
26106-080502	3	21
	4	36
26106-080552	2	20
	9	5 -1
	16	33
26106-080602	10	19

Parts No. Index

Parts No.	Fig. No.	Ref. No.
26106-080652	10	42
26106-080802	5	7
26106-081004	16	38
26116-120252	15	32
26206-100252	3	4
26206-100302	3	5
26226-080182	4	34
26306-080002	2	11
	6	6
	16	39
26306-100002	16	31
26366-060002	9	14
26450-060252	9	26
26450-080452	11	115
26756-060002	12	63
26776-140002	7	19
	11	116
27241-120000	1	12
27241-300000	1	13
27241-400000	4	9
27310-080001	4	14
719980-01500	2	1
729402-14580	7	3
729402-23100	8	24
729602-01561	1	1
729602-92650	17	1
729604-53100	13	1
729604-53300	13	1 -1
729630-51300	11	1
729630-51301	11	1 -1
729630-51430	11	1 -2
977770-1207F	17	31
X2114255110	15	5
X2114555500	15	21
X2114955020	15	22
X2130350900	15	4
X2240410100	15	23
X9490561001	16	3

Parts No.	Fig. No.	Ref. No.
-----------	----------	----------

Parts No.	Fig. No.	Ref. No.
-----------	----------	----------

Parts No.	Fig. No.	Ref. No.
-----------	----------	----------