

0CB10-M73401EN

Directions for the Parts Catalog.

1. This Parts Catalog shows both standard and optional parts.
2. Parts may change without prior notice.
3. The following is an example of the Parts Catalog format.

REF.	LEV.	PARTS NO.	DESCRIPTION	Q'TY						I	R
				(A)	(B)	(C)	(D)	(E)	(F)		
1	1	729595-51390	FUEL INJECTION PUMP	1	1	1	1	1			1
1-1	1	729595-51391	FUEL INJECTION PUMP	1	1	1	1	1		N	1
		(A=E00185) (B=E00200)									
3	2	26022-060162	SCREW M 6X 16	9	9	9	9	9			
3-1	2	26022-060162	SCREW M 6X 16	4	4	4	4	4		K	
		(A=E00156) (B=E00156) (C=E00156) (D=E00156) (E=E00156)									
4	2	129470-51040	CAMSHAFT	1	1	1	1	1			
5	2	122710-51050	BEARING, ROLLER	2	2	2	2	2			
6	2	129470-51060	RETAINER	1	1	1	1	1			

Remarks
(1) BOOST COMPEMSATOR TYPE. OPTIONAL PART, TO E00155,(4JH-DT, 4JH-DTZ

① Ref. No.

The Ref. No. listed may not be in accordance with the illustration Ref. No.

(Ex.) Illustration No.

List Ref No.

1

1

(Before change)

1-1

(After change)

For interchangeable symbols N, R and K, illustrations for new parts may be abbreviated.

② Lev. (Level)

Level indication

The numbers below indicate the level of relativity towards the main part.

1 ----- Main parts (Assembly parts)

2 ----- Sub component included in " 1 ".

3 ----- Sub component included in " 2 ".

Note) Parts that are not for sale are partially illustrated but not listed.

③ Interchangeability Symbol

When a part change takes place, one of the following interchangeability symbols is indicated beside the part.

Symbol	Interchangeability	Contents note
N	Old $\begin{matrix} \leftarrow \text{Yes} \\ \text{No} \rightarrow \end{matrix}$ New	New Part is interchangeable for Old Part but Old Part is not interchangeable for New Part.
Q	Old $\begin{matrix} \leftarrow \text{No} \\ \text{Yes} \rightarrow \end{matrix}$ New	New Part is not interchangeable for Old Part but Old Part is interchangeable for New Part.
R	Old $\begin{matrix} \leftarrow \text{Yes} \\ \text{Yes} \rightarrow \end{matrix}$ New	New/ Old Parts are both interchangeable.
S	Old $\begin{matrix} \leftarrow \text{No} \\ \text{No} \rightarrow \end{matrix}$ New	New/ Old Parts are both not interchangeable.
W		Part newly added.
Z		Part discontinued.
F		Not interchangeable by a single part but interchangeable together with related parts.
K		Changes only for used parts quantities.

④ Effective Machine No.

When a part changes, the effective Machine No. will be indicated in the (A)-(F) column.

Product Symbol	Product No.	Product Symbol	Product No.
C	Clutch No. Compressor No.	F	Machine No. (Agricultural Equip.)
D	Drive No.	M	Machine No.
E	Engine No.		

Note 1) A date may follow the symbol. (Ex.) 1996.01

Note 2) "XXXXX" and "ZZZZZ" are for parts that could not be predicted or for engine models that could not be identified.

Note 3) (A=E00185) is the E (Engine Serial Number) for the column (A) model (in this case 4JH-DT) after the parts design change.

⑤ Remarks

Figures or alphabets (symbols) are entered in the remarks column.

The comments (remarks) on parts that are indicated at the bottom of the illustration are the same symbols as those stated above.

Contents

0CB10-M73401

Fig. No.	Fig. Name	Fig. No.	Fig. Name
ENGINE			
1.	CYLINDER BLOCK		
2.	GEAR HOUSING		
3.	MOUNTING FLANGE & OIL SUMP		
4.	CYLINDER HEAD & BONNET		
5.	SUCTION MANIFOLD		
6.	EXHAUST MANIFOLD		
7.	CAMSHAFT & DRIVING GEAR		
8.	TURBINE & SILENCER		
9.	CRANKSHAFT & PISTON		
10.	LUB. OIL SYSTEM		
11.	LUB. OIL PIPE		
12.	COOLING WATER SYSTEM		
13.	FUEL INJECTION PUMP		
14.	GOVERNOR		
15.	FUEL INJECTION VALVE		
16.	FUEL PIPE		
17.	STARTER MOTOR		
18.	GENERATOR		
19.	GASKET SET & TOOL		

Fig.1. CYLINDER BLOCK

(A)=3TNV84T-XBL

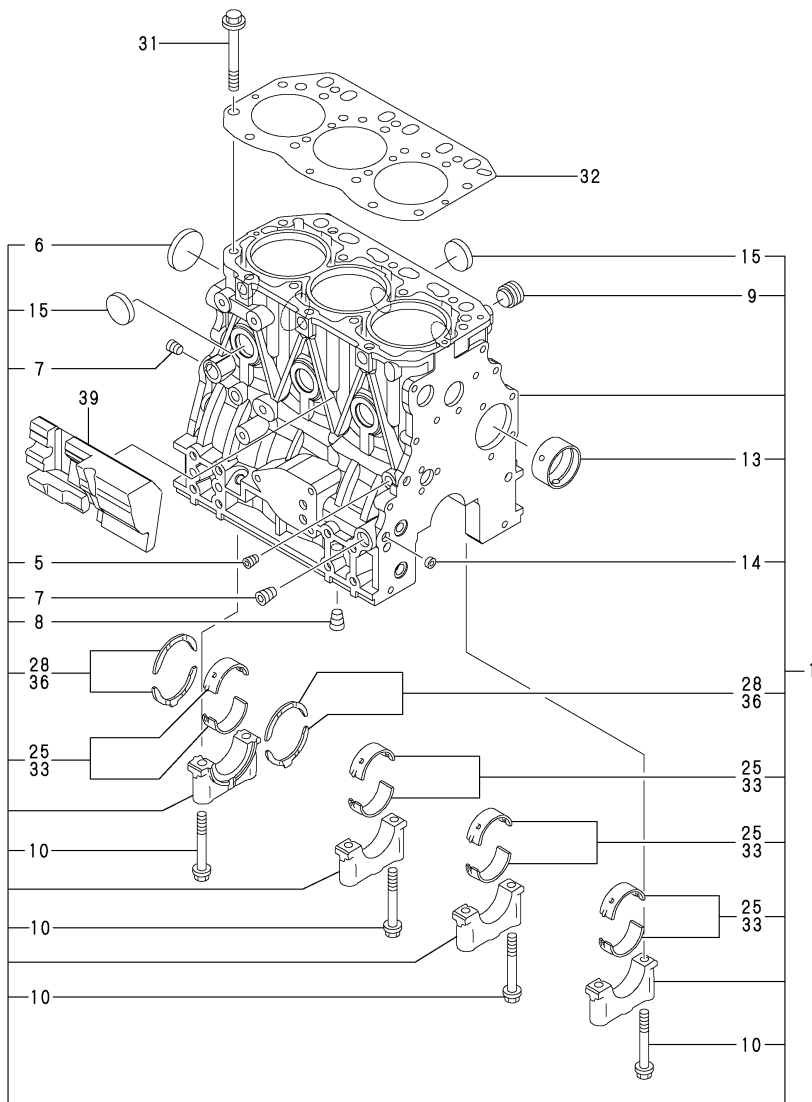
(B)=

(C)=

(D)=

(E)=

(F)=

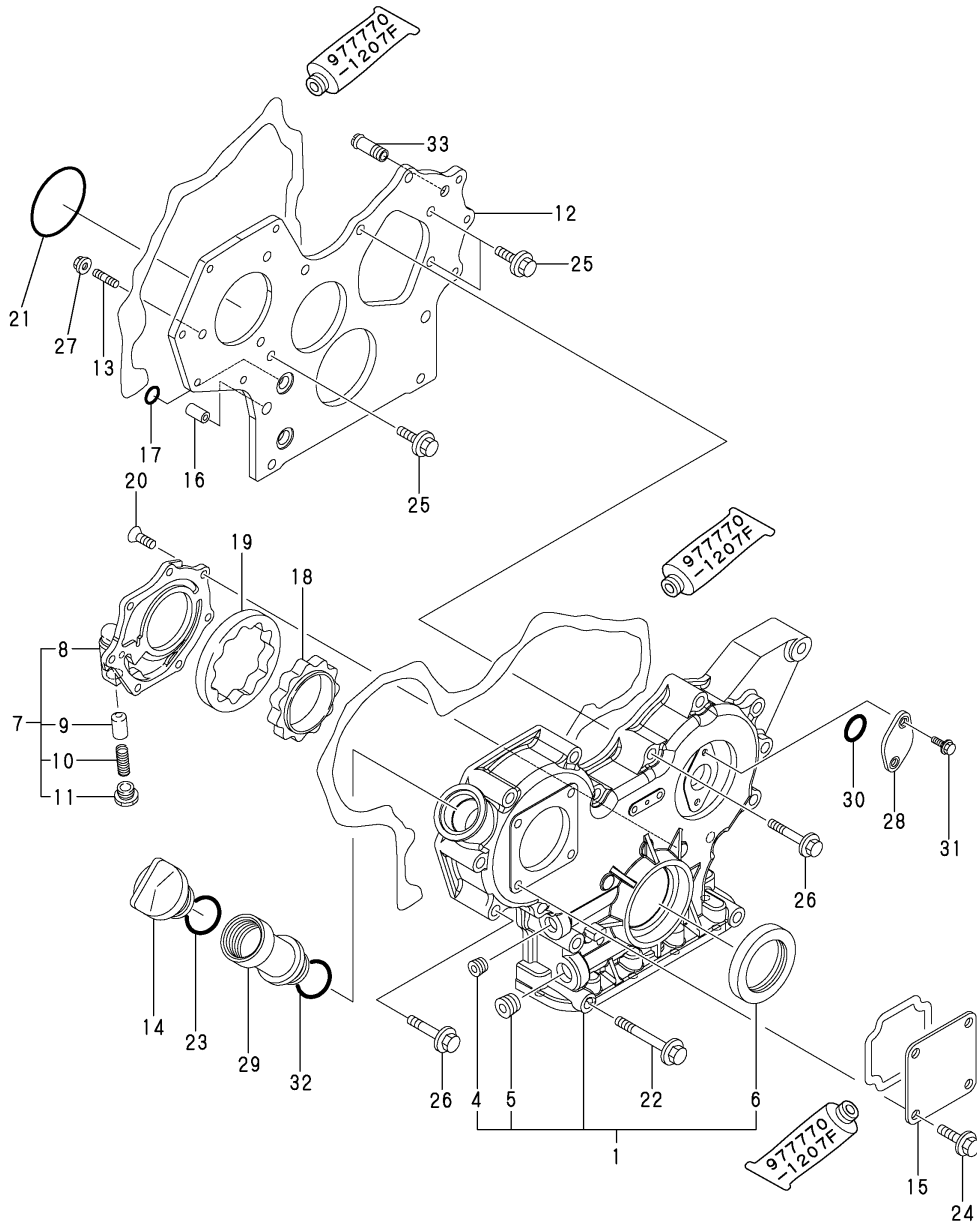


No.	Lev.	Parts No.	Description	Qty						I	R
				(A)	(B)	(C)	(D)	(E)	(F)		
1	1	729006-01560	BLOCK ASSY, CYLINDER	1							
5	3	124060-01050	PLUG, PT1/8	1							
6	3	129001-01250	PLUG, DISH TYPE 50	1							
7	3	124160-01910	PLUG, PT1/4	2							
8	3	124160-01910	PLUG, PT1/4	1							
9	3	171051-01921	PLUG, NPTF1	1							
10	3	129150-02020	BOLT, METAL CAP	8							
13	3	129795-02411	BUSH, CAMSHAFT	1							
13-1	3	129795-02412	BUSH, CAMSHAFT	1							N
(A=E/#27323)											
14	3	27241-120000	PLUG, 12	2							
15	3	27241-300000	PLUG 30	6							
25	2	129001-02930	BEARING ASSY, MAIN	4							3
25-1	2	129001-02971	BEARING, MAIN LOWER	4							N 3
(A=E/#27323)											
28	2	129150-02930	BEARING ASSY, THRUST	2							3
28-1	2	129150-02931	BEARING ASSY, THRUST	2							N 3
(A=E/#27323)											
31	1	129150-01200	BOLT, CYLINDER HEAD	14							
32	1	129002-01331	GASKET, HEAD	1							
33	1	129150-02870	BEARING ASSY, MAIN	4							1
33-1	1	129150-02871	BEARING ASSY, MAIN	4							N 1
(A=E/#27323)											
36	1	129150-02940	BEARING, THRUST 0.25	1							2
36-1	1	129150-02941	BEARING, THRUST 0.25	1							N 2
(A=E/#27323)											
39	1	129004-01190	SPACER	1							

Remarks

- (1) Under-sized (U.S.=0.25) parts.
- (2) Over-sized (O.S.=0.25) parts.
- (3) Repair parts.

Fig.2. GEAR HOUSING



(A)=3TNV84T-XBL

(B)=

(C)=

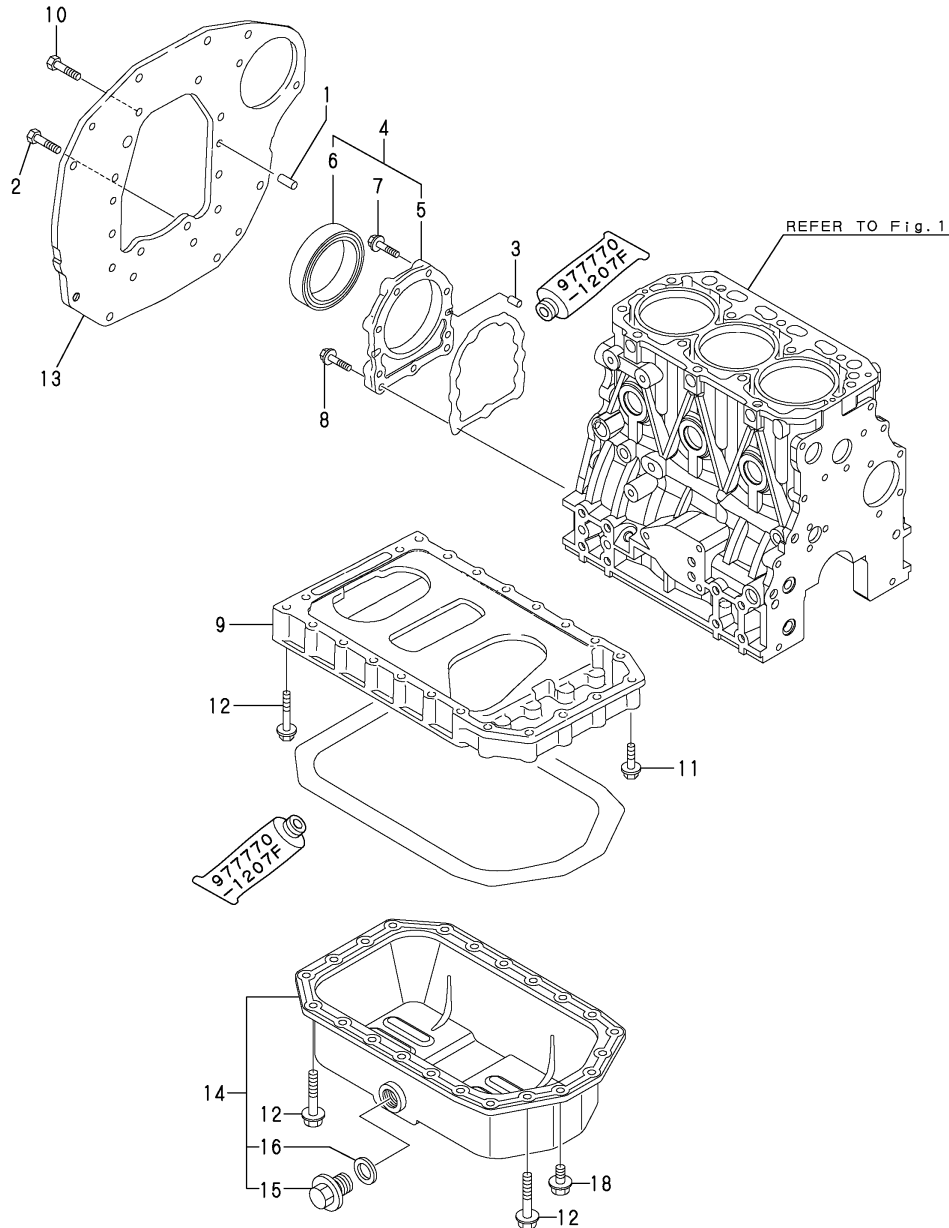
(D)=

(E)=

(F)=

No.	Lev.	Parts No.	Description	Q'ty						I	R
				(A)	(B)	(C)	(D)	(E)	(F)		
1	1	719802-01500	CASE ASSY, GEAR	1							
4	2	23876-030000	PLUG, R03	1							
5	2	23876-040000	PLUG, R04	1							
6	2	129795-01800	SEAL, OIL	1							
6-1	2	119934-01800	SEAL, OIL	1							N
(A=E/#25364)											
7	1	119802-32100	COVER ASSY	1							
8	2	119802-32070	COVER, PUMP	1							
9	2	129900-32130	VALVE, RELIEF	1							
10	2	129418-32320	SPRING	1							
11	2	129001-32330	PLUG	1							
12	1	129006-01520	FLANGE, GEAR CASE	1							
13	1	119802-01561	BOLT, STUD M8X25	3							
14	1	124160-01751	CAP, FILLER	1							
15	1	124240-01871	COVER, PUMP	1							
16	1	129795-01950	PIPE, DOWEL L=18	2							
17	1	119609-32040	O-RING, P16	4							
18	1	119802-32111	ROTOR, INNER	1							
19	1	119802-32120	ROTOR, OUTER	1							
20	1	119802-32130	SCREW, M6X16	7							
21	1	121850-51960	O-RING	1							
22	1	129001-91841	BOLT, M8X87	3							
23	1	24311-000320	O-RING, 1AP32.0	1							
24	1	26106-080162	BOLT, M8X 16 PLATED	4							
25	1	26106-080162	BOLT, M8X 16 PLATED	3							
26	1	26106-080552	BOLT, M8X 55 PLATED	12							
27	1	26306-080002	NUT, M8	3							
28	1	121023-01550	COVER	1							
28-1	1	121023-01551	COVER	1							R
(A=E/#21868)											
29	1	171031-11741	PIPE	1							
30	1	24341-000240	O-RING, 1AS24.0	1							
31	1	26106-060162	BOLT, M6X 16 PLATED	2							
32	1	24311-000320	O-RING, 1AP32.0	1							
33	1	129122-44480	JOINT	1							W
(A=FROM 1ST)											

Fig.3. MOUNTING FLANGE & OIL SUMP

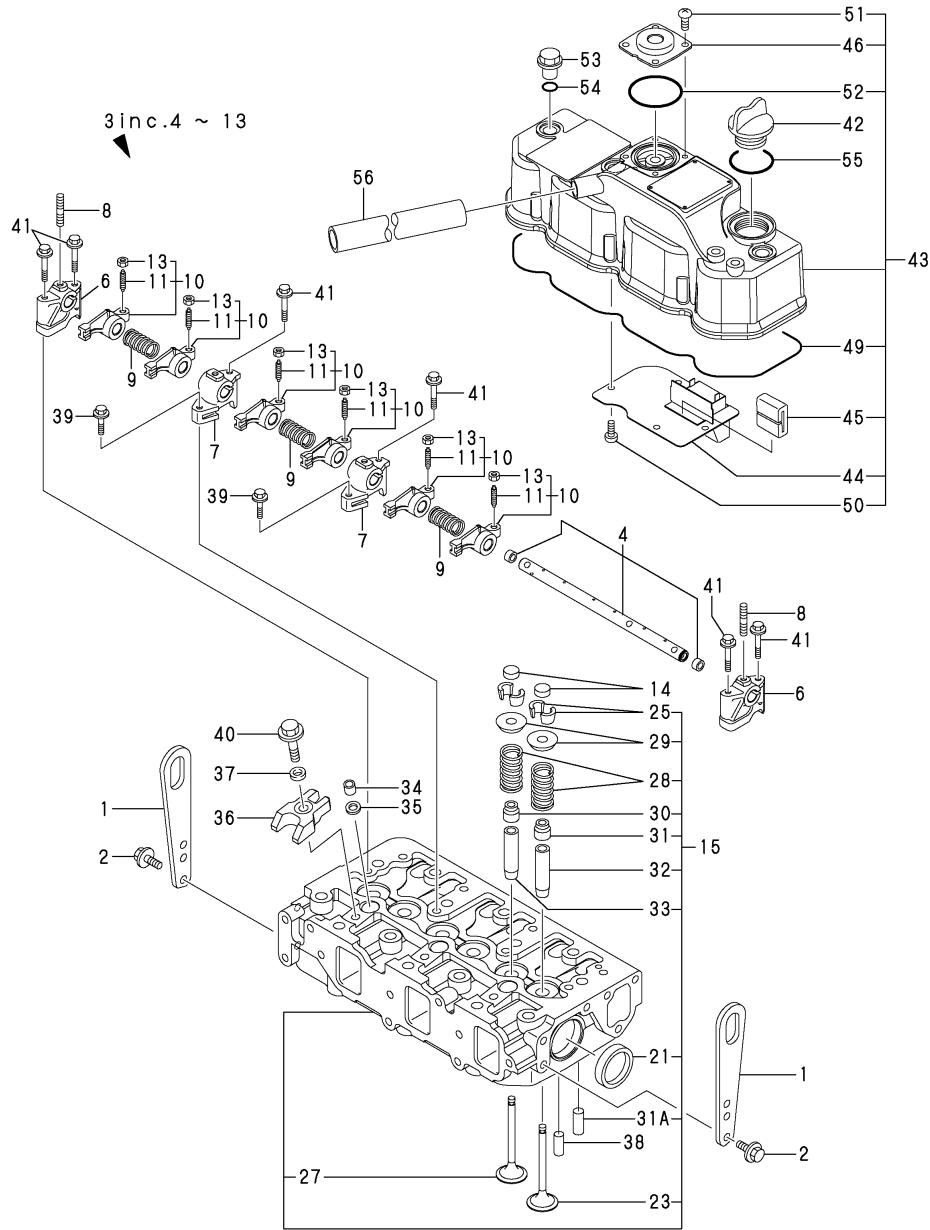


(A)=3TNV84T-XBL
(B)=
(C)=

(D)=
(E)=
(F)=

No.	Lev.	Parts No.	Description	Qty						I	R
				(A)	(B)	(C)	(D)	(E)	(F)		
1	1	129100-01580	PIN, PARALLEL 8X16	2							
2	1	26206-100252	BOLT, M10X 25 PLATED	4							
3	1	129100-01580	PIN, PARALLEL 8X16	2							
4	1	129100-01640	CASE ASSY, OIL SEAL	1							
5	2	129150-01650	CASE, OIL SEAL	1							
6	2	129795-01780	SEAL, OIL	1							
7	1	129486-01670	BOLT, M8X30	6							
8	1	26106-080352	BOLT, M8X 35 PLATED	3							
9	1	129100-01730	SPACER, OIL-PAN	1							
10	1	26206-100202	BOLT, M10X 20 PLATED	6							
11	1	26106-080252	BOLT, M8X 25 PLATED	2							
12	1	26106-080452	BOLT, M8X 45 PLATED	20							
13	1	129150-01600	FLANGE, MOUNTING	1							
14	1	129175-01770	SUMP ASSY, OIL	1							
15	2	119640-01640	PLUG, DRAIN M22	1							
16	2	22190-220002	WASHER, SEAL 22	1							
18	1	26106-080162	BOLT, M8X 16 PLATED	3							

Fig.4. CYLINDER HEAD & BONNET



(A)=3TNV84T-XBL

(B)=

(C)=

(D)=

(E)=

(F)=

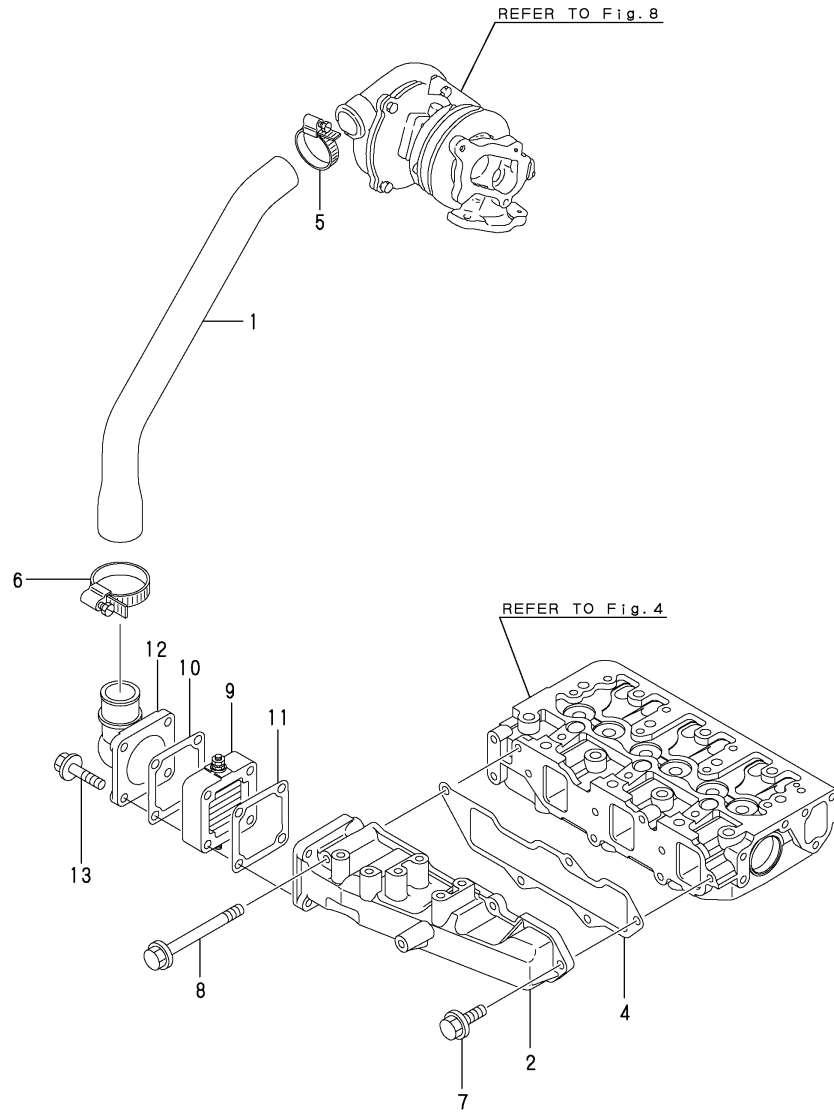
No.	Lev.	Parts No.	Description	Qty						I	R
				(A)	(B)	(C)	(D)	(E)	(F)		
1	1	129900-07900	LIFTER, ENGINE	2							
2	1	26106-080162	BOLT, M8X 16 PLATED	4							
3	1	129004-11241	SHAFT ASSY, ROCKER	1							
4	2	129004-11251	SHAFT, ROCKER ARM	1							
6	2	119802-11260	SUPPORT, ROCKER ARM	2							
7	2	119802-11270	SUPPORT, ROCKER ARM	2							
8	2	119802-11280	BOLT, STUD	3							
9	2	129150-11280	SPRING, ROCKER	3							
10	2	129004-11650	ARM ASSY, ROCKER	6							
11	3	129150-11230	SCREW, VALVE ADJUST	6							
13	3	129150-11750	NUT, M8	6							
14	1	129150-11370	CAP, VALVE	6							
15	1	129006-11700	HEAD ASSY, CYLINDER	1							
21	2	27241-400000	PLUG, 40	2							
23	2	129004-11101	VALVE, SUCTION	3							
23-1	2	129004-11130	VALVE, SUCTION	3							R
(A=E/#21868)											
25	2	27310-080001	COTTER, 8	6							
27	2	129100-11130	VALVE, EXHAUST	3							
28	2	129795-11120	SPRING, VALVE	6							
29	2	129795-11180	RETAINER, SPRING	6							
30	2	121400-11340	SEAL, VALVE STEM	3							
31	2	124460-11340	SEAL, VALVE STEM	3							
31A	2	129150-11050	PIECE	3							
32	2	120130-11860	GUIDE, VALVE	3							1
33	2	129150-11810	GUIDE, VALVE	3							1
34	1	119802-11870	PROTECTOR, NOZZLE	3							
35	1	119625-11880	SEAT, NOZZLE	3							
36	1	129004-11900	RETAINER, NOZZLE	3							
37	1	120270-54410	WASHER, INJECTOR	3							
38	1	22351-060012	PIN, SPRING 6.0X12	2							
39	1	26106-080252	BOLT, M8X 25 PLATED	2							
40	1	26106-080352	BOLT, M8X 35 PLATED	3							
41	1	26106-080502	BOLT, M8X 50 PLATED	6							
42	1	124160-01751	CAP, FILLER	1							
43	1	129006-11350	BONNET ASSY, HEAD	1							
44	2	129004-03010	PLATE, BAFFLE	1							
45	2	129150-03070	BAFFLE, BREATHER	1							
46	2	129006-03120	COVER, DIAPHRAGM	1							
49	2	129004-11310	GASKET, BONNET	1							
50	2	22857-500100	SCREW, 5X10	4							
51	2	22857-500100	SCREW, 5X10	4							
52	2	24341-000400	O-RING, 1AS40.0	1							
53	1	124160-11360	KNOB	3							
54	1	24311-000120	O-RING, 1AP12.0	3							
55	1	24311-000320	O-RING, 1AP32.0	1							
56	1	129150-03090	HOSE, ID16X2T	1							

Remarks

(1)Repair parts.

N:Old $\xrightarrow{\text{Yes}}$ New, Q:Old $\xrightarrow{\text{No}}$ New, R:Old $\xrightarrow{\text{Yes}}$ New, S:Old $\xrightarrow{\text{No}}$ New, W:Add, Z:Discontinued, F:Interchangeable by set, K:Qty Change

Fig.5. SUCTION MANIFOLD



(A)=3TNV84T-XBL
(B)=
(C)=

(D)=
(E)=
(F)=

No.	Lev.	Parts No.	Description	Q'ty						I	R
				(A)	(B)	(C)	(D)	(E)	(F)		
1	1	129044-12060	PIPE, AIR INTAKE	1							
2	1	129006-12100	MANIFOLD, AIR INTAKE	1							
4	1	129001-12110	GASKET, MANIFOLD	1							
5	1	23000-041000	CLAMP, 41	1							
6	1	23000-060000	CLAMP, 60	1							
7	1	26106-080202	BOLT, M8X 20 PLATED	4							
8	1	26106-080802	BOLT, M8X 80 PLATED	1							
9	1	129100-77500	HEATER, AIR 11V	1							
9-1	1	129100-77501	HEATER, AIR 11V	1							N
(A=E/#32451)											
10	1	129100-77510	GASKET, AIR HEATER	1							
11	1	129150-77511	GASKET, AIR HEATER	1							
12	1	129044-77520	BEND, AIR HEATER	1							
13	1	26106-080402	BOLT, M8X 40 PLATED	4							

Fig.6. EXHAUST MANIFOLD

(A)=3TNV84T-XBL
(B)=
(C)=

(D)=
(E)=
(F)=

No.	Lev.	Parts No.	Description	Q'ty						I	R
				(A)	(B)	(C)	(D)	(E)	(F)		
1	1	129139-13100	MANIFOLD, EXHAUST	1							
2	1	129150-13110	GASKET, EXH.MANIFOLD	1							
3	1	123900-13630	BOLT, M8X80	6							
4	1	119131-18320	BOLT, STUD M8X22	3							

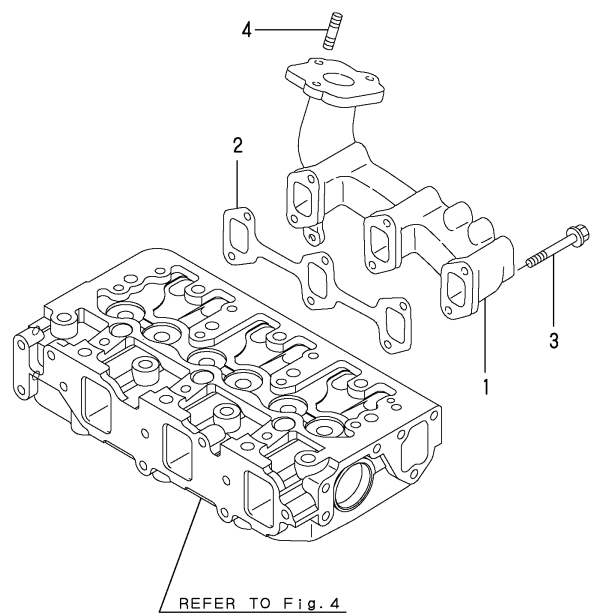
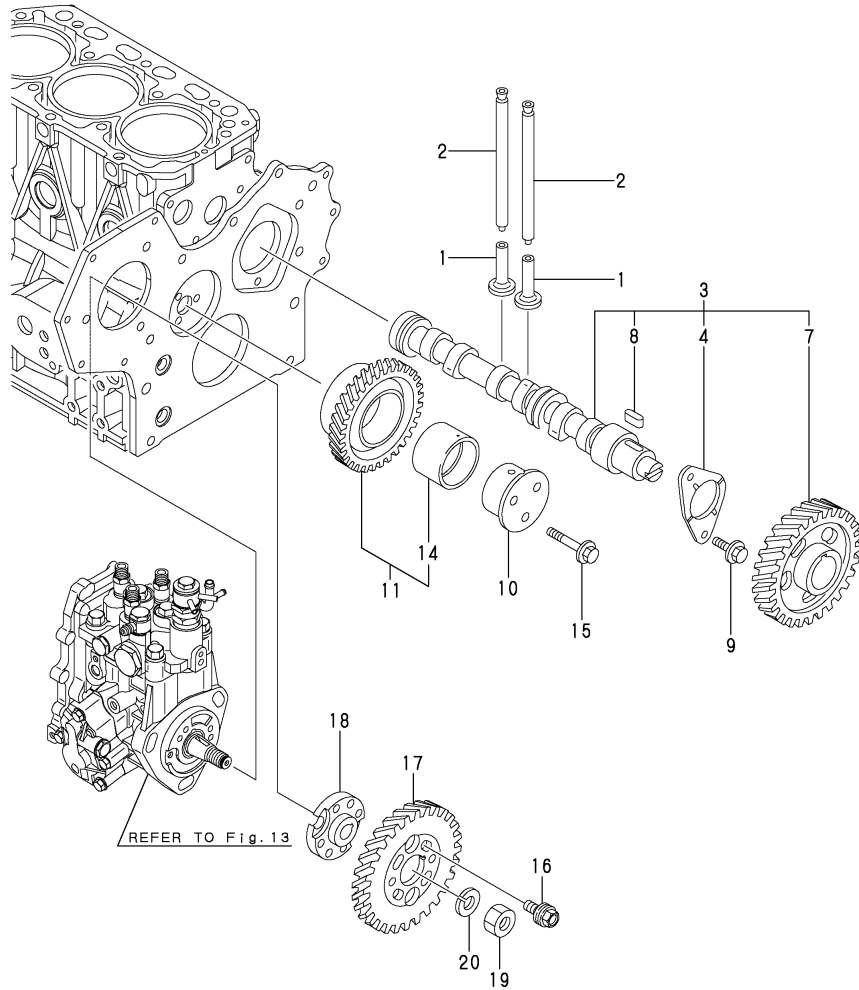


Fig.7. CAMSHAFT & DRIVING GEAR



(A)=3TNV84T-XBL
(B)=
(C)=

(D)=
(E)=
(F)=

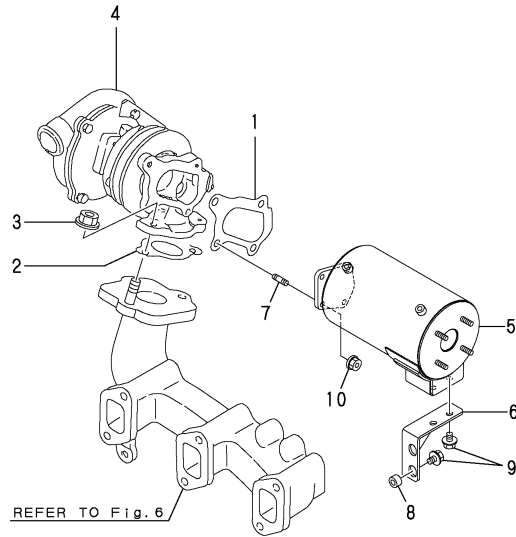
No.	Lev.	Parts No.	Description	Q'ty						I	R
				(A)	(B)	(C)	(D)	(E)	(F)		
1	1	129150-14200	TAPPET	6							
2	1	129150-14400	PUSH-ROD, L=178	6							
3	1	129129-14580	CAMSHAFT ASSY	1							
4	2	129150-02450	BEARING, THRUST	1							
7	2	129150-14101	GEAR, CAMSHAFT	1							
8	2	22512-070140	KEY, 7X 14	1							
9	1	26106-080142	BOLT, M8X 14 PLATED	2							
10	1	119802-25051	SHAFT, IDLE	1							
11	1	119802-25100	GEAR ASSY, IDLE	1							
11-1	1	119802-25101	GEAR ASSY, IDLE	1							N
		(A=E/#27323)									
14	2	119802-25070	BUSH, IDLE GEAR	1							1
14-1	2	119802-25071	BUSH, IDLE GEAR	1							N 1
		(A=E/#27323)									
15	1	26106-080402	BOLT, M8X 40 PLATED	3							
16	1	129150-25301	BOLT	4							
17	1	119802-25901	GEAR, PUMP	1							
18	1	158552-51151	FLANGE	1							
19	1	26776-140002	NUT, LOCK M14	1							
20	1	22217-140000	WASHER, SPRING 14	1							

Remarks
(1)Repair parts.

Fig.8. TURBINE & SILENCER

(A)=3TNV84T-XBL
(B)=
(C)=

(D)=
(E)=
(F)=



No.	Lev.	Parts No.	Description	Q'ty						I	R
				(A)	(B)	(C)	(D)	(E)	(F)		
1	1	129403-18091	GASKET	1							
2	1	129535-18100	GASKET	1							
3	1	26306-080002	NUT, M8	3							
4	1	129044-18010	TURBINE, RHB31W/G	1							
5	1	129044-13500	SILENCER	1							
6	1	129012-13650	BRACKET, SILENCER	1							
6-1	1	129044-13600	BRACKET, SILENCER	1						F	1
		(A=E/#30635)									
7	1	129418-18320	BOLT, STUD M8X20	4							
8	1	106500-44810	SPACER, PULLEY	2							
8-1	1	119940-77270	SPACER	2						S	1
		(A=E/#30635)									
9	1	26014-080252	BOLT, M8X 25	4							
9-1	1	26106-080252	BOLT, M8X 25 PLATED	4						S	1
		(A=E/#30635)									
10	1	26306-080002	NUT, M8	3							

Remarks

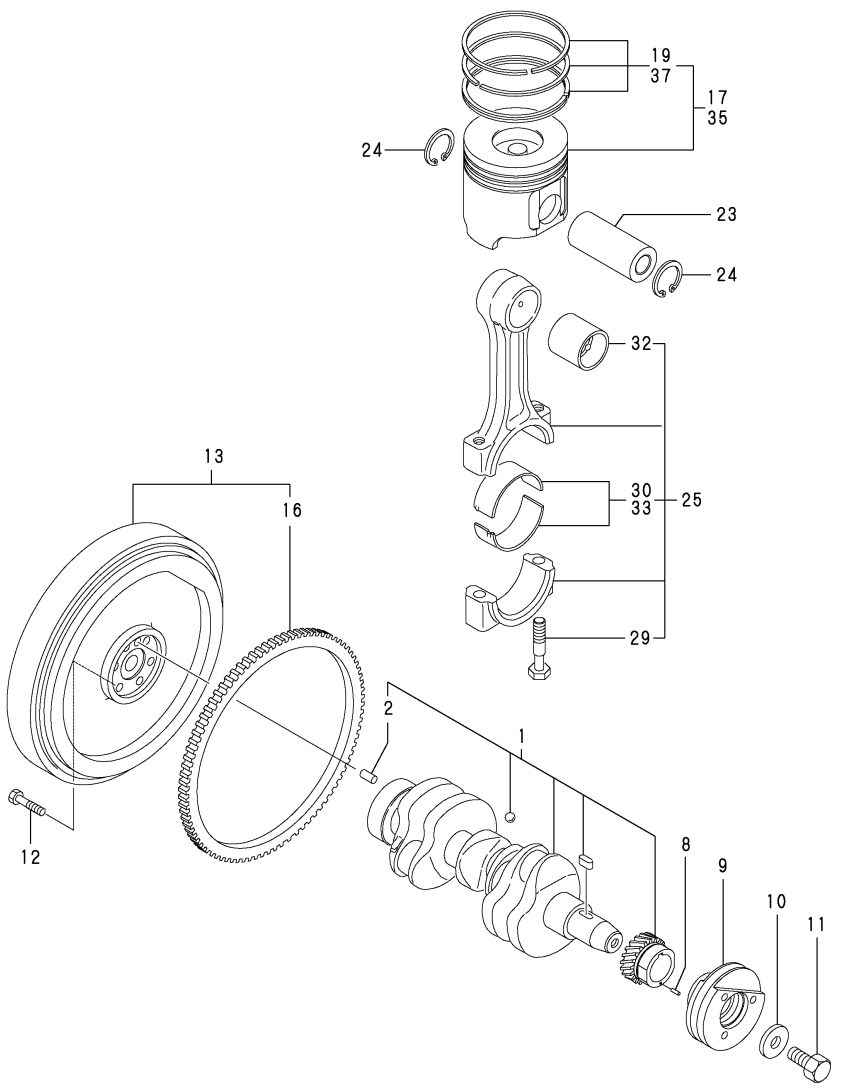
(1)Interchangeable by simultaneous replacement with No.8-1 & 9-1.

Fig.9. CRANKSHAFT & PISTON

(A)=3TNV84T-XBL
(B)=
(C)=

(D)=
(E)=
(F)=

No.	Lev.	Parts No.	Description	Q'ty						I	R
				(A)	(B)	(C)	(D)	(E)	(F)		
1	1	129004-21002	CRANKSHAFT ASSY	1							
2	2	129100-01580	PIN, PARALLEL 8X16	1							
8	1	22351-030010	PIN, SPRING 3.0X10	1							
9	1	129005-21650	V-PULLEY, CRANK 120	1							
10	1	129795-21661	WASHER	1							
11	1	121850-21680	BOLT	1							
12	1	124160-21501	BOLT, FLYWHEEL	6							
13	1	129131-21591	FLYWHEEL ASSY	1							
16	2	124550-21600	GEAR, RING Z=127	1							
17	1	129007-22080	PISTON ASSY	3							
19	2	129007-22500	RING SET, PISTON	3							
23	1	129202-22300	PIN, PISTON D26 L70	3							
24	1	22252-000260	RING, 26	6							
25	1	729402-23100	ROD ASSY, CONNECTING	3							
29	2	121550-23200	BOLT, CONNECTING ROD	6							
30	2	129150-23600	BEARING, CRANK PIN	3							1
30-1	2	129150-23601	BEARING, CRANK PIN	3							N 1
(A=E/#27323)											
32	2	129100-23910	BEARING, PISTON PIN	3							1
33	1	129150-23610	BEARING, 0.25 US	3							2
33-1	1	129150-23611	BEARING, 0.25 US	3							N 2
(A=E/#27323)											
35	1	129007-22900	PISTON ASSY, 0.25 OS	3							3
37	2	129007-22950	RING SET, 0.25 OS	3							3

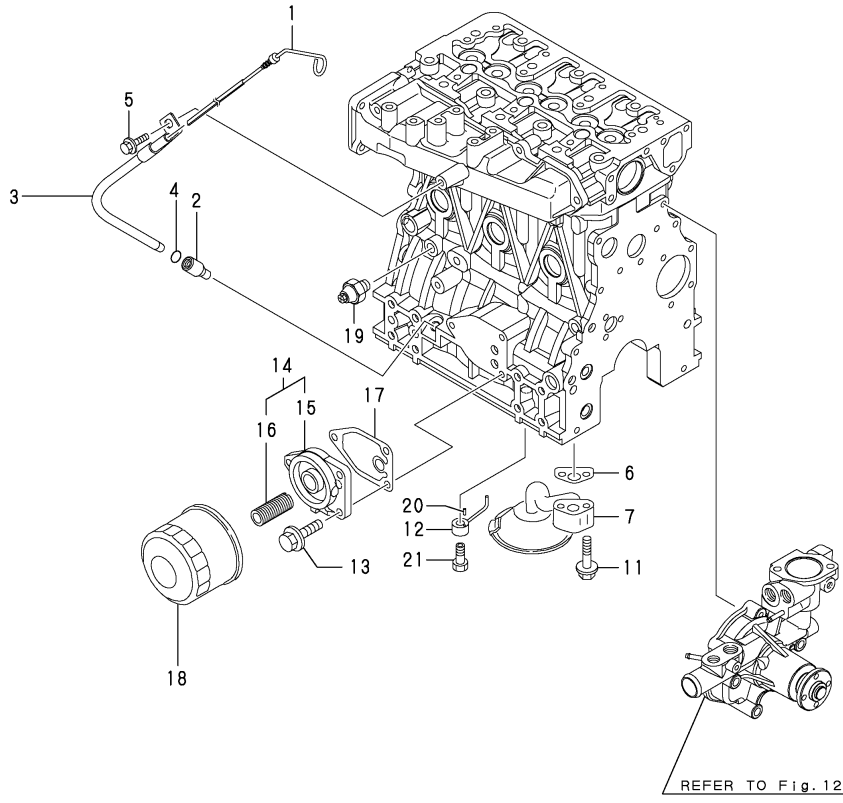


Remarks
 (1)Repair parts.
 (2)Under-sized(U.S.=0.25) parts.
 (3)Over-sized(O.S.=0.25) parts.

Fig.10. LUB. OIL SYSTEM

(A)=3TNV84T-XBL
(B)=
(C)=

(D)=
(E)=
(F)=



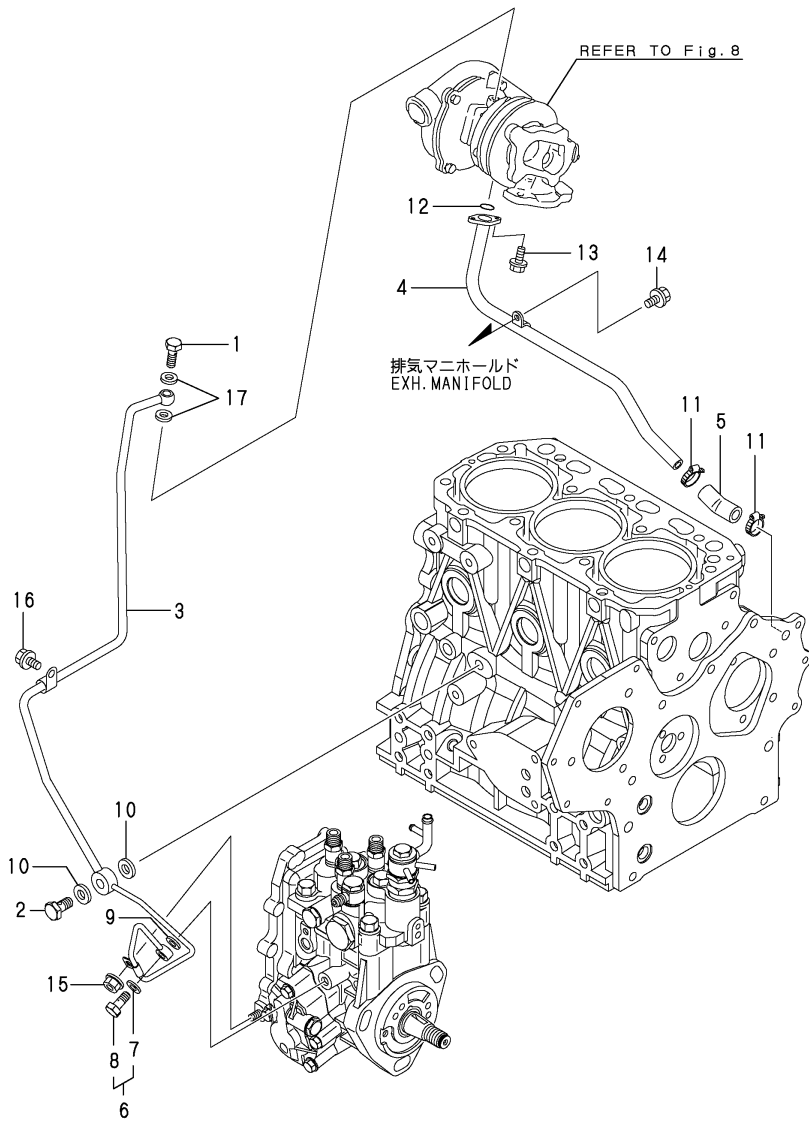
No.	Lev.	Parts No.	Description	Q'ty						I	R
				(A)	(B)	(C)	(D)	(E)	(F)		
1	1	129044-34801	DIPSTICK, OIL	1							
2	1	119260-34810	GUIDE, DIPSTICK	1							
3	1	119802-34850	GUIDE, DIPSTICK	1							
4	1	24311-240100	O-RING, 1AP10A	1							
5	1	26106-080162	BOLT, M8X 16 PLATED	1							
6	1	129150-35042	GASKET	1							
7	1	129135-35090	PIPE ASSY, OIL INLET	1							
11	1	26106-080352	BOLT, M8X 35 PLATED	2							
12	1	129553-39650	NOZZLE, COOLING	3							
13	1	26106-080202	BOLT, M8X 20 PLATED	3							
14	1	119802-35100	BRACKET ASSY, FILTER	1							
15	2	119802-35110	BRACKET, FILTER	1							
16	2	129100-35140	BOLT, STUD	1							
17	1	129150-35111	GASKET	1							
18	1	129150-35170	FILTER, LO	1							1
19	1	114250-39450	SWITCH, HYDRAULIC	1							
20	1	22351-030010	PIN, SPRING 3.0X10	3							
21	1	129792-39410	VALVE ASSY, CHECK	3							

Remarks
(1)Repair parts.

Fig.11. LUB. OIL PIPE

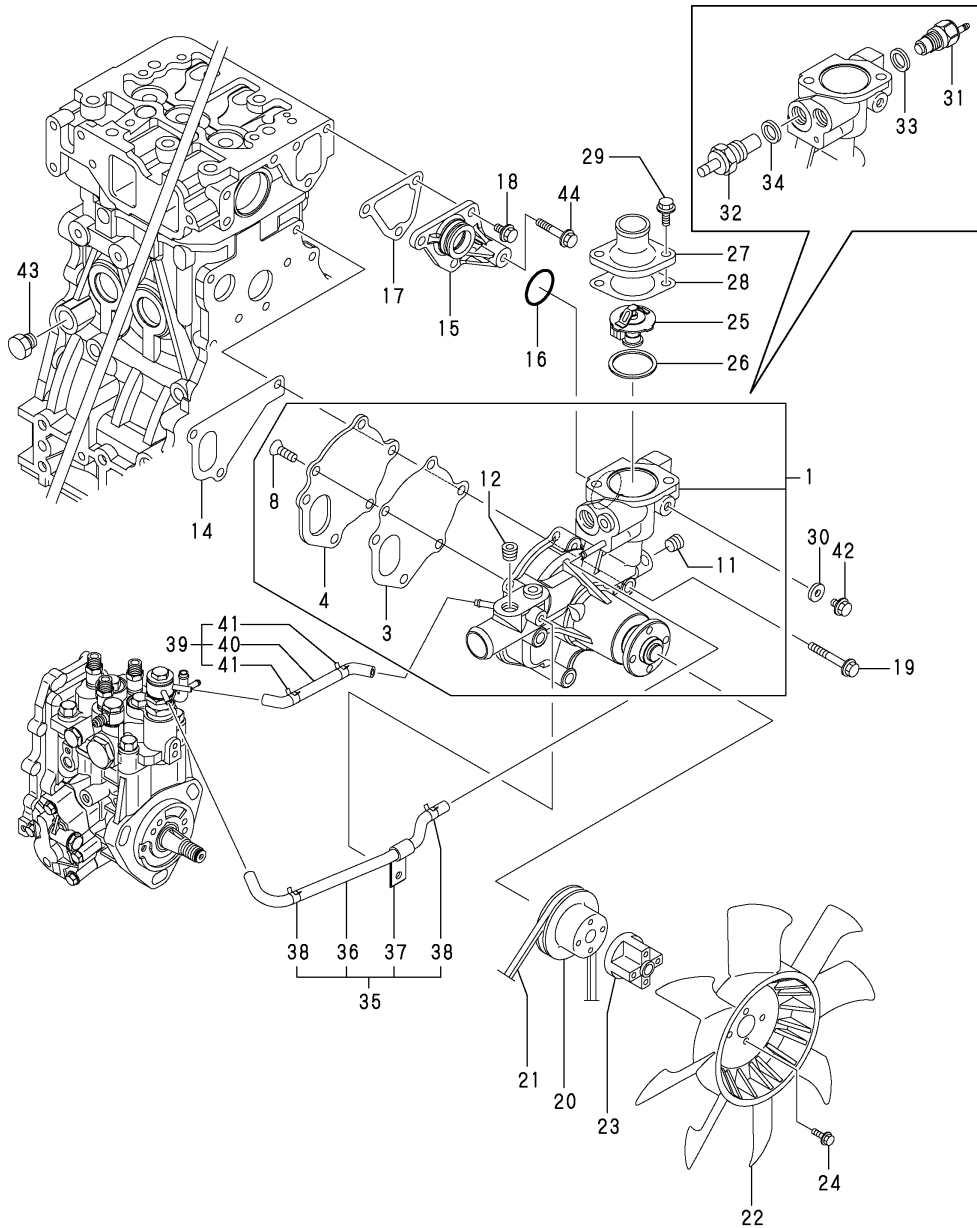
(A)=3TNV84T-XBL
(B)=
(C)=

(D)=
(E)=
(F)=



No.	Lev.	Parts No.	Description	Q'ty						I	R
				(A)	(B)	(C)	(D)	(E)	(F)		
1	1	105010-39140	BOLT, PIPE JOINT	1							
2	1	124160-39140	BOLT, PIPE JOINT M10	1							
3	1	129006-39450	PIPE ASSY, OIL	1							
4	1	129139-39610	PIPE, OIL	1							
5	1	129044-39610	JOINT, RUBBER	1							
6	1	129005-59830	BOLT ASSY, JOINT M8	1							
7	2	22190-080002	WASHER, SEAL 6	1							
8	2	23857-030000	BOLT, JOINT 3	1							
9	1	22190-080002	WASHER, SEAL 6	1							
10	1	22190-100002	WASHER, SEAL 10	2							
11	1	23000-022000	CLAMP, 22	2							
12	1	24316-000160	O-RING, 4DP16.0	1							
13	1	26106-060162	BOLT, M6X 16 PLATED	2							
14	1	26106-080122	BOLT, M8X 12 PLATED	1							
15	1	26366-060002	NUT, M6	1							
16	1	26106-080122	BOLT, M8X 12 PLATED	1							
17	1	23414-080000	GASKET, 8X1.0	2							

Fig.12. COOLING WATER SYSTEM



(A)=3TNV84T-XBL

(B)=

(C)=

(D)=

(E)=

(F)=

No.	Lev.	Parts No.	Description	Q'ty						I	R
				(A)	(B)	(C)	(D)	(E)	(F)		
1	1	129004-42001	PUMP ASSY, WATER	1							
3	2	129100-42051	GASKET, WATER PUMP	1							
4	2	129100-42121	PLATE, PUMP	1							
8	2	121850-42410	SCREW	3							
11	2	23876-010000	PLUG, R01	1							
12	2	23876-020000	PLUG, R02	1							
14	1	129486-42021	GASKET, WATER PUMP	1							
15	1	129004-42040	JOINT	1							
16	1	129486-42140	O-RING, G30	1							
17	1	124395-49840	GASKET, THERMOSTAT	1							
18	1	26106-080162	BOLT, M8X 16 PLATED	3							
19	1	26106-080602	BOLT, M8X 60 PLATED	3							
20	1	129403-42380	V-PULLEY, D=110	1							
21	1	129044-42290	V-BELT, A38.5	1							
22	1	129655-44740	FAN, COOLING D380	1							
23	1	124574-44761	SPACER, FAN	1							
24	1	26106-060202	BOLT, M6X 20 PLATED	4							
25	1	129155-49801	THERMOSTAT, 71C	1							
26	1	129150-49811	GASKET, THERMOSTAT	1							
27	1	129350-49530	COVER, THERMOSTAT	1							
28	1	129795-49551	GASKET	1							
29	1	26106-080222	BOLT, M8X 22 PLATED	2							
30	1	23414-080000	GASKET, 8X1.0	1							
31	1	121250-44901	SWITCH, THERMO 110	1							
32	1	124250-49351	SENSOR, WATER TEMP.	1							
33	1	124465-44950	GASKET, 16	1							
34	1	129150-49360	GASKET	1							
35	1	129004-49610	HOSE ASSY, WATER	1							
36	2	129004-49711	HOSE, WATER	1							
37	2	119802-49730	RETAINER, PIPE	1							
38	2	124722-59050	CLAMP, HOSE 9	2							
39	1	129004-49620	HOSE ASSY, WATER	1							
40	2	129004-49721	HOSE, WATER	1							
41	2	124722-59050	CLAMP, HOSE 9	2							
42	1	26106-080122	BOLT, M8X 12 PLATED	1							
43	1	171056-49120	PLUG, DRAIN R1/4	1							
44	1	26106-080452	BOLT, M8X 45 PLATED	1							

Fig.13. FUEL INJECTION PUMP

(A)=3TNV84T-XBL

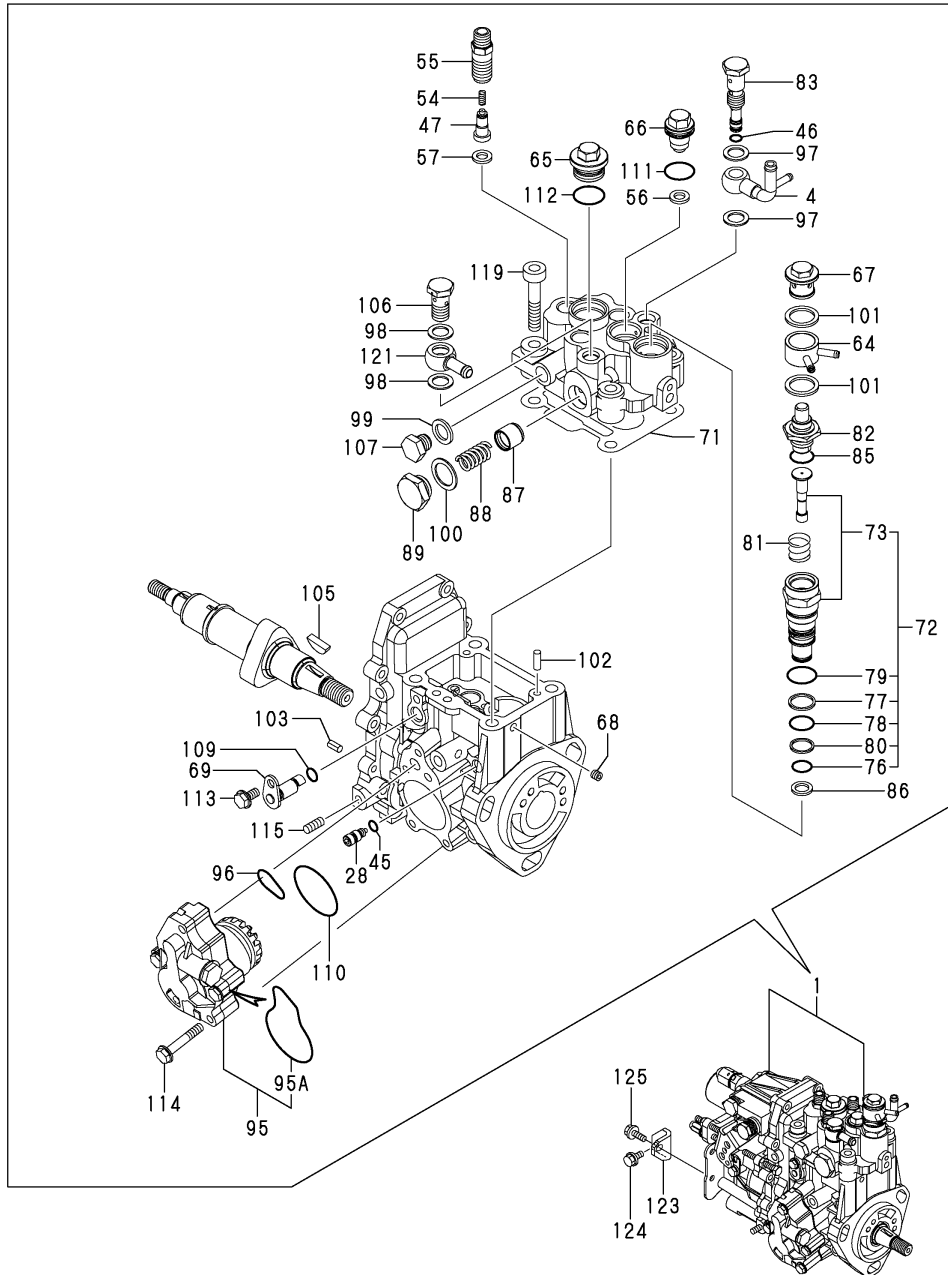
(B)=

(C)=

(D)=

(E)=

(F)=



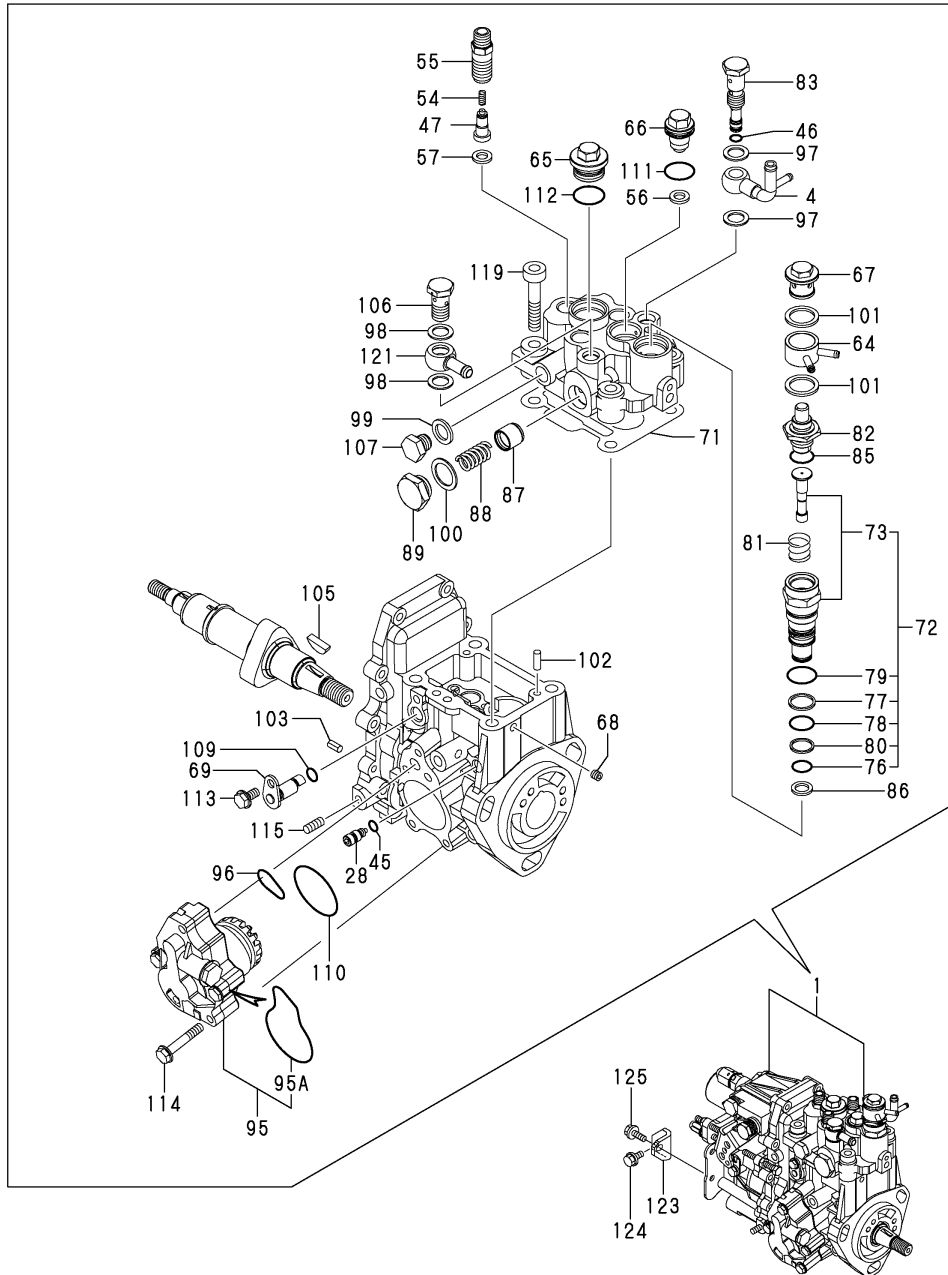
No.	Lev.	Parts No.	Description	Q'ty						I	R
				(A)	(B)	(C)	(D)	(E)	(F)		
1	1	729044-51350	PUMP ASSY, INJECTION	1							
4	2	158552-51670	JOINT, OVER FLOW	1							
28	3	158600-51270	STOPPER, TAPPET	1							
45	3	158563-51281	O-RING, 4D S6	1							
46	3	158563-51281	O-RING, 4D S6	1							
47	3	158560-51300	VALVE ASSY, DELIVERY	3							
54	3	158563-51330	SPRING, DELIVERY	3							
55	3	158601-51340	HOLDER, DELIVERY	3							
56	3	158552-51570	GASKET, PLUG	1							
57	3	158552-51570	GASKET, PLUG	3							
64	3	158553-51551	JOINT, COOLING WATER	1							
65	3	158601-51550	PLUG, M22	1							
66	3	119802-51560	PLUG, M14	1							
67	3	158601-51570	PLUG	1							
68	3	158557-51570	PLUG, RACK	1							
69	3	158552-51580	LIFTER, LINK	1							
71	3	158552-51600	GASKET	1							
72	3	119802-51590	TIMER ASSY	1							
73	4	119802-51600	TIMER ASSY	1							
76	4	158553-51670	O-RING	1							
77	4	119802-51680	RING, BACKUP	1							
78	4	119802-51690	O-RING	1							
79	4	24356-010200	O-RING, 4D1020	1							
80	4	24372-000150	RING, BACK UP T2P15	1							
81	3	158553-51630	SPRING, TIMER	1							
82	3	158553-51640	THERMOELEMENT	1							
83	3	158601-51650	JOINT, OVER FLOW	1							
85	3	158553-51660	O-RING, P14	1							
86	3	158553-51680	GASKET, TIMER	1							
87	3	158601-51770	PISTON, ACCUMLATOR	1							
88	3	158552-51780	SPRING, ACCUMULATOR	1							
88-1	3	158552-51781	SPRING, ACCUMULATOR	1							N
(A=E/#31171)											
89	3	158601-51790	PLUG	1							
95	3	158552-52100	PUMP ASSY, FUEL FEED	1							
95A	4	158552-52500	O-RING	1							
96	3	158552-52310	O-RING	1							
97	3	22190-120002	WASHER, SEAL 12	2							
98	3	22190-120002	WASHER, SEAL 12	2							
99	3	22190-120002	WASHER, SEAL 12	1							
100	3	22190-180002	WASHER, SEAL 18	1							
101	3	22190-180002	WASHER, SEAL 18	2							
102	3	22312-050140	PIN, PARALLEL M5X14	2							
103	3	22351-050010	PIN, SPRING 5.0X10	2							
105	3	119802-51090	FEATHER KEY, 4X16	1							
106	3	23857-060000	BOLT, JOINT 6	1							
107	3	23887-120002	PLUG, 12	1							
109	3	24311-000070	O-RING, 1AP7.0	1							
110	3	158552-52400	O-RING, 4E S42	1							
111	3	24356-010180	O-RING, 4D1018	1							
112	3	24356-010200	O-RING, 4D1020	1							

N:Old \xrightarrow{Yes} New, Q:Old \xrightarrow{No} New, R:Old \xrightarrow{Yes} New, S:Old \xrightarrow{No} New, W:Add, Z:Discontinued, F:Interchangeable by set, K:Q'ty Change
 ++ CONTINUE ++
 Copyright (C) YANMAR CO., LTD. All Rights Reserved.

Fig.13. FUEL INJECTION PUMP

(A)=3TNV84T-XBL
(B)=
(C)=

(D)=
(E)=
(F)=



No.	Lev.	Parts No.	Description	Q'ty						I	R
				(A)	(B)	(C)	(D)	(E)	(F)		
113	3	26106-060102	BOLT, M6X 10 PLATED	1							
114	3	158553-51770	BOLT	4							
115	3	26216-060162	STUD, M6X 16	1							
119	3	26450-080452	BOLT, M8X 45	4							
121	2	129916-59020	JOINT, PIPE 12	1							
123	1	119802-51250	RETAINER, PUMP	1							
124	1	26106-080162	BOLT, M8X 16 PLATED	1							
125	1	26106-080202	BOLT, M8X 20 PLATED	1							

Fig.14. GOVERNOR

(A)=3TNV84T-XBL

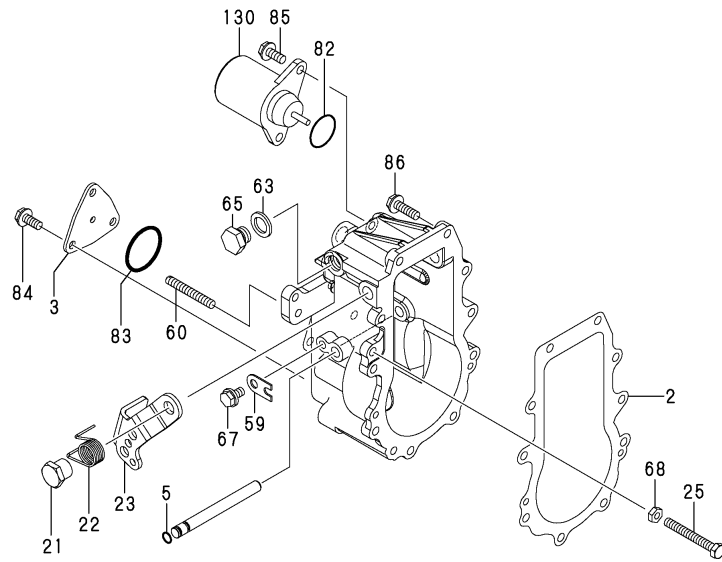
(B)=

(C)=

(D)=

(E)=

(F)=



No.	Lev.	Parts No.	Description	Q'ty						I	R
				(A)	(B)	(C)	(D)	(E)	(F)		
2	3	158553-61050	GASKET	1							
3	3	129044-61060	COVER, GOVERNOR CASE	1							
3-1	2	158563-61060	COVER, GOVERNOR CASE	1							N
(A=E/#22971)											
5	4	129155-51280	O-RING, S6	1							
21	4	129255-61410	NUT, M8	1							
22	4	119807-61420	SPRING, RETURN	1							
23	4	158552-61441	LEVER, REGULATOR	1							
25	4	129155-61460	BOLT, LIMITING	1							
59	4	119660-61901	STOPPER, SHAFT	1							
60	4	171002-66830	SCREW, ADJUSTING	1							
63	4	22190-120000	WASHER, SEAL 12	1							
65	4	23887-120002	PLUG, 12	1							
67	4	26106-060102	BOLT, M6X 10 PLATED	1							
68	4	26756-060002	NUT, LOCK M6	1							
82	3	24341-000280	O-RING, 1AS28.0	1							
82-1	3	158552-61900	O-RING	1							N
(A=EXXXXX)											
83	3	24341-000360	O-RING, 1AS36.0	1							
84	3	26106-060102	BOLT, M6X 10 PLATED	3							
84-1	3	26106-060142	BOLT, M6X 14 PLATED	3							S
(A=E/#30635)											
85	3	26106-060142	BOLT, M6X 14 PLATED	2							
86	3	26106-060202	BOLT, M6X 20 PLATED	10							
130	2	119233-77932	SOLENOID, STOP	1							

Remarks

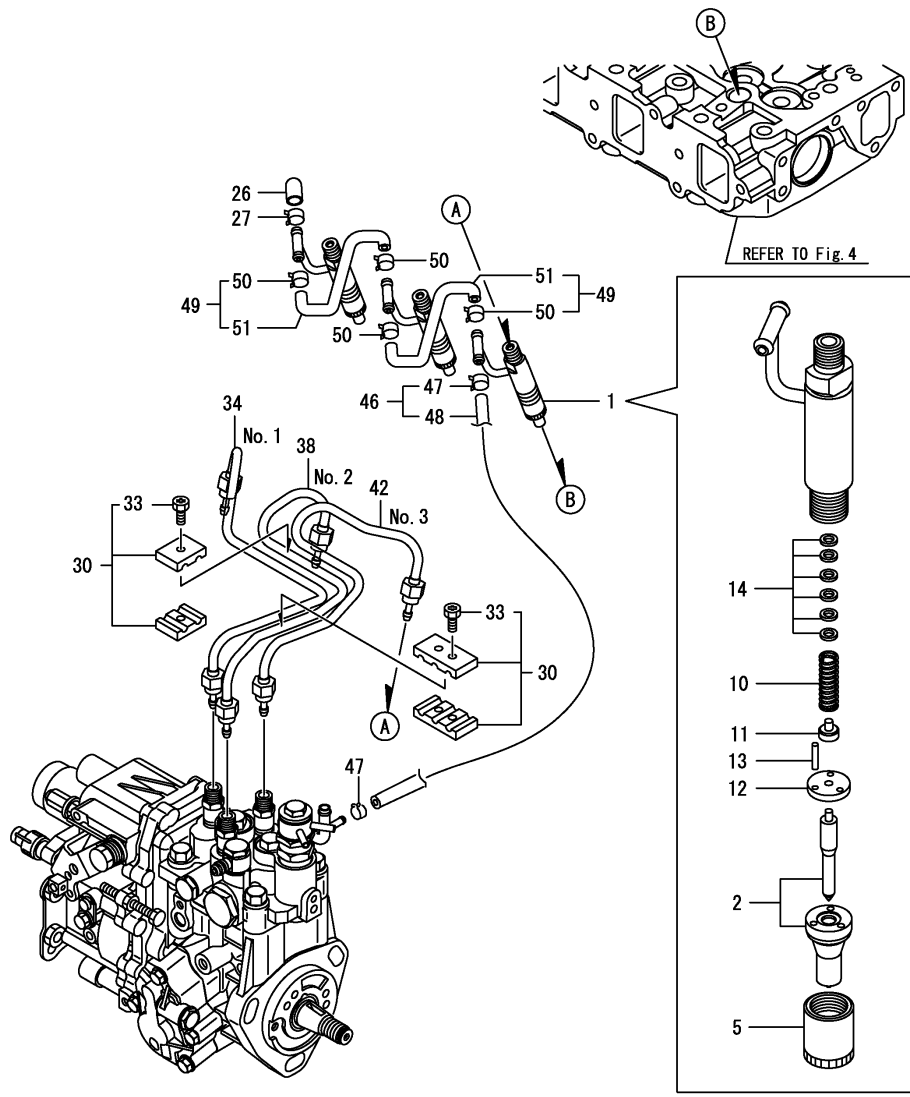
* This figure(Governor) is incorporated in the Fuel Injection Pump(Fig.13).

N:Old $\begin{matrix} \text{Yes} \\ \text{No} \end{matrix}$ New, Q:Old $\begin{matrix} \text{No} \\ \text{Yes} \end{matrix}$ New, R:Old $\begin{matrix} \text{Yes} \\ \text{Yes} \end{matrix}$ New, S:Old $\begin{matrix} \text{No} \\ \text{No} \end{matrix}$ New, W:Add, Z:Discontinued, F:Interchangeable by set, K:Q'ty Change

Fig.15. FUEL INJECTION VALVE

(A)=3TNV84T-XBL
(B)=
(C)=

(D)=
(E)=
(F)=



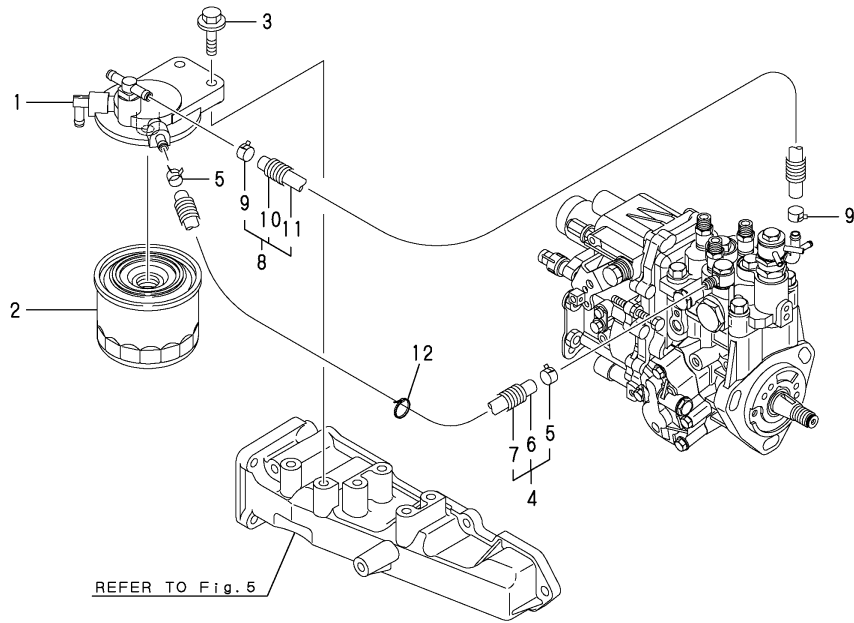
REFER TO Fig. 4

No.	Lev.	Parts No.	Description	Q'ty						I	R
				(A)	(B)	(C)	(D)	(E)	(F)		
1	1	729245-53100	FUEL INJECTOR ASSY	3							
2	2	129004-53001	NOZZLE ASSY, F.I.	3							
5	2	114250-53080	NUT, NOZZLE	3							
10	2	114250-53120	SPRING, NOZZLE	3							
11	2	114250-53130	SEAT, SPRING	3							
12	2	114250-53140	SPACER	3							
13	2	114250-53210	PIN	6							
14	2	114250-53400	SHIM SET	3							
26	1	119593-59580	CAP	1							
26-1	1	119593-59581	CAP	1							N
(A=E/#22971)											
27	1	124060-77680	CLAMP, HOSE 10	1							
30	1	129150-59120	RETAINER, PIPE	2							
33	2	129150-59131	BOLT, M4X14	4							
34	1	129004-59811	PIPE ASSY, INJECTION	1							
38	1	129004-59821	PIPE ASSY, INJECTION	1							
42	1	129004-59831	PIPE ASSY, INJECTION	1							
46	1	119802-59550	HOSE ASSY, RETURN	1							
47	2	124722-59050	CLAMP, HOSE 9	2							
48	2	119802-59560	HOSE, FUEL RETURN	1							
49	1	129486-59551	HOSE ASSY, RETURN	2							
50	2	124722-59050	CLAMP, HOSE 9	4							
51	2	129486-59510	HOSE, FUEL RETURN	2							

Fig.16. FUEL PIPE

(A)=3TNV84T-XBL
(B)=
(C)=

(D)=
(E)=
(F)=



No.	Lev.	Parts No.	Description	Q'ty						I	R
				(A)	(B)	(C)	(D)	(E)	(F)		
1	1	129004-55611	BRACKET, FILTER	1							
1-1	1	129004-55612	BRACKET, FILTER	1							R
(A=E/#26212)											
2	1	119802-55810	FILTER,FO	1							
3	1	26106-080302	BOLT, M8X 30 PLATED	2							
4	1	129044-59010	HOSE ASSY, D13XL220	1							
5	2	124766-59050	CLAMP, HOSE 11.5	2							
6	2	105025-59580	HOSE, FUEL	1							
7	2	129044-59100	TUBE, CORRUGATED 15	1							
8	1	129950-59311	HOSE ASSY, FUEL	1							
9	2	124766-59050	CLAMP, HOSE 11.5	2							
10	2	129961-59110	TUBE, CORRUGATED 15	1							
11	2	129044-59510	HOSE, FUEL L=220	1							
12	1	121750-59890	BAND, NYLON	1							

Fig.17. STARTER MOTOR

(A)=3TNV84T-XBL

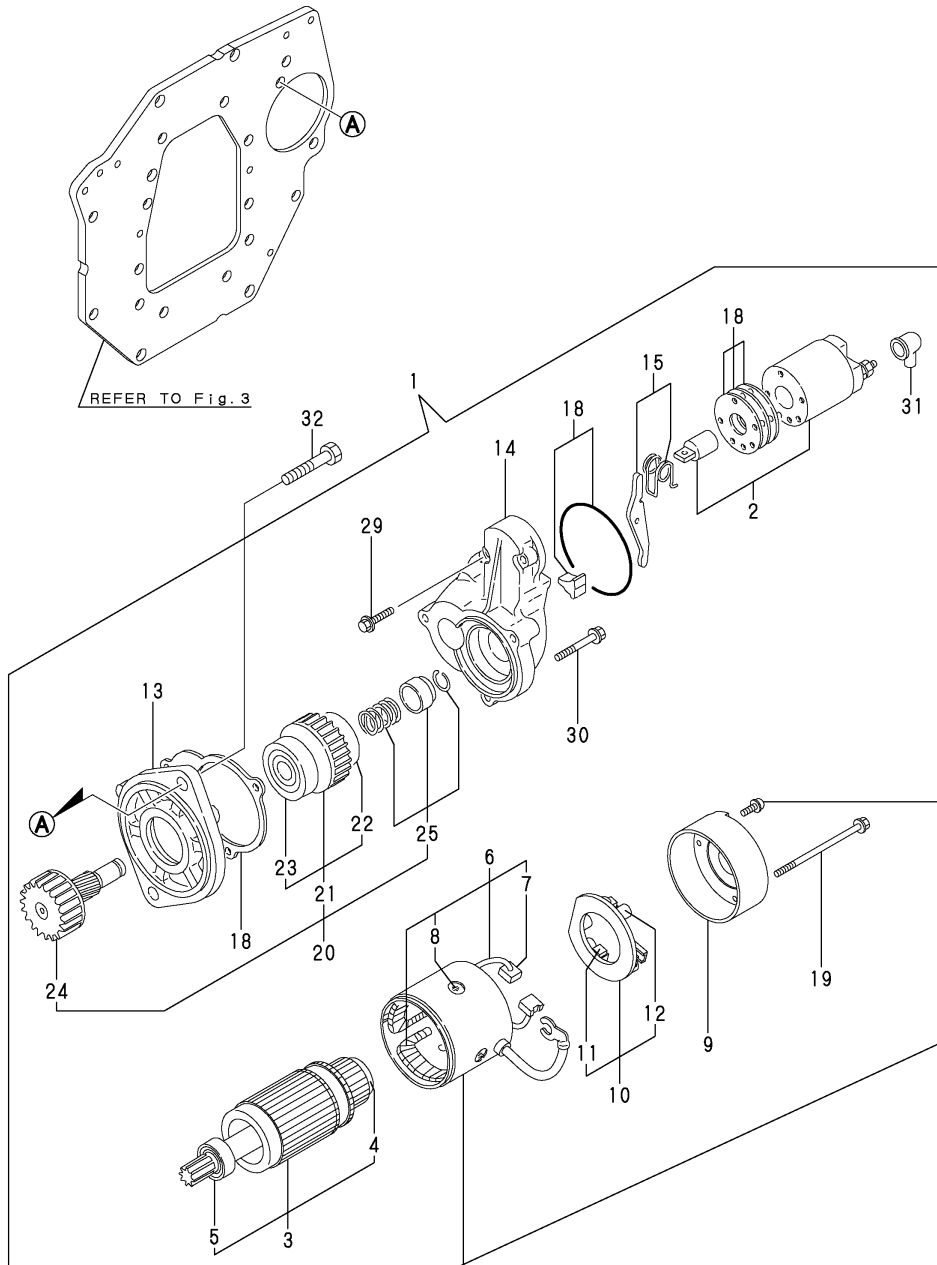
(B)=

(C)=

(D)=

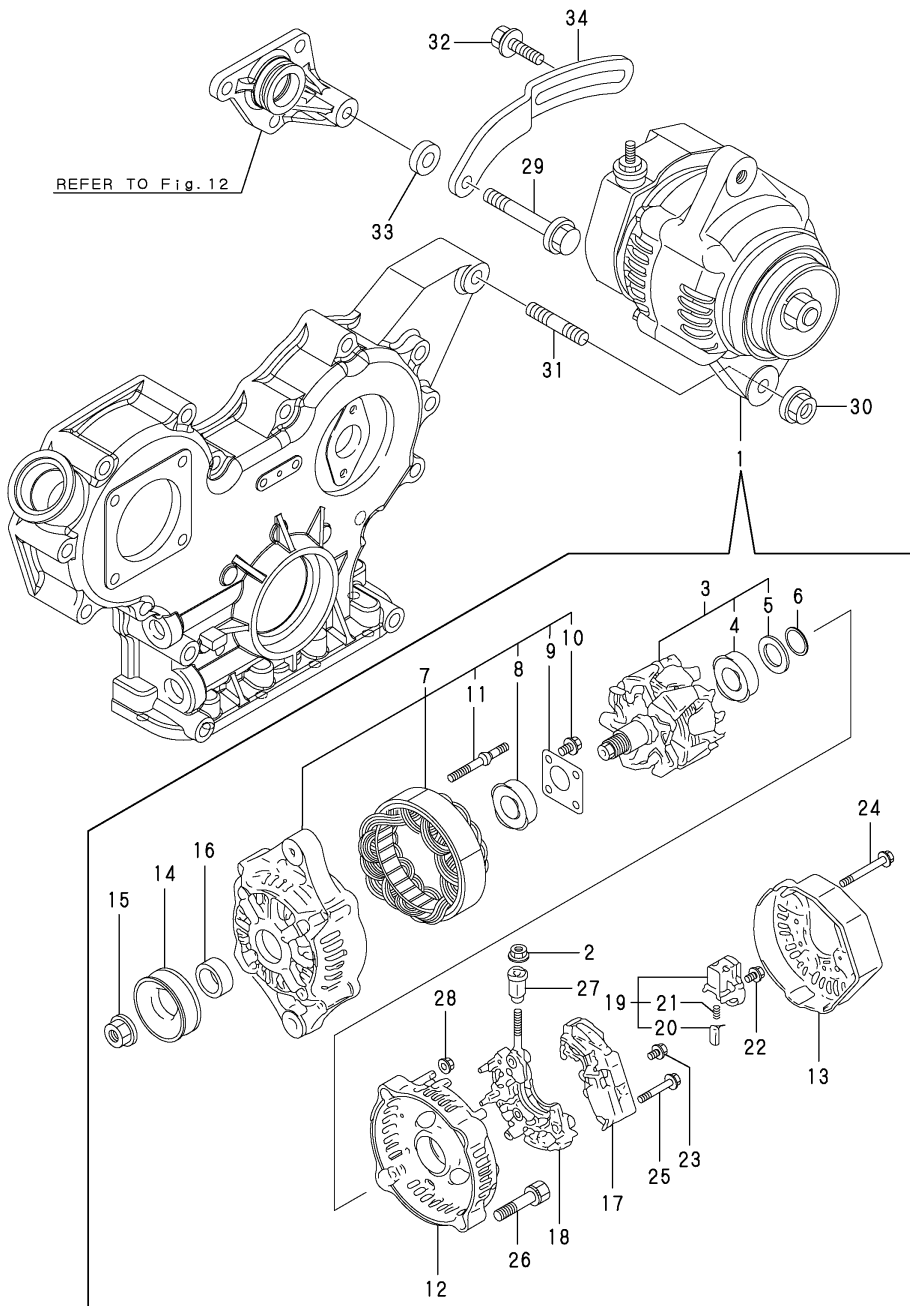
(E)=

(F)=



No.	Lev.	Parts No.	Description	Qty						I	R
				(A)	(B)	(C)	(D)	(E)	(F)		
1	1	129136-77011	STARTER ASSY	1							
2	2	129136-77310	SWITCH ASSY	1							
3	2	129900-77400	ARMATURE ASSY	1							
4	3	X2130350900	BEARING, BALL	1							
5	3	X2114255110	BEARING, BALL	1							
6	2	129900-77440	COIL ASSY, FIELD	1							
7	3	129900-77450	BRUSH	2							
8	3	171008-77450	SCREW, CORE SET	4							
9	2	129900-77460	COVER	1							
10	2	129900-77480	HOLDER ASSY, BRUSH	1							
11	3	129900-77450	BRUSH	2							
12	3	129400-77490	SPRING, BRUSH	4							
13	2	171008-77510	CASE, GEAR	1							
14	2	129136-77520	HOUSING, STARTOR	1							
15	2	171008-77540	LEVER SET	1							
18	2	129400-77571	COVER KIT, DUST	1							
19	2	129900-77640	BOLT, THROUGH	2							
20	2	171008-77650	PINION ASSY,W/CLUTCH	1							
21	3	X2114555500	CLUTCH ASSY	1							
22	4	X2114955020	BEARING, BALL	1							
23	4	X2240410100	BEARING, BALL	1							
24	3	171008-77660	SHAFT, PINION	1							
25	3	171008-77670	STOPPER SET, PINION	1							
29	2	26106-060322	BOLT, M6X 32 PLATED	2							
30	2	26106-060402	BOLT, M6X 40 PLATED	3							
31	2	171008-77750	COVER, TERMINAL	1							
32	1	26116-120202	BOLT, M12X 20 PLATED	2							

Fig.18. GENERATOR



(A)=3TNV84T-XBL

(B)=

(C)=

(D)=

(E)=

(F)=

No.	Lev.	Parts No.	Description	Qty						I	R
				(A)	(B)	(C)	(D)	(E)	(F)		
1	1	129423-77200	GENERATOR ASSY, 40A	1							
2	2	X9490561001	NUT	1							
3	2	119620-77380	ROTOR ASSY	1							
4	3	119620-79240	BEARING, BALL	1							
4-1	3	123501-79240	BEARING, BALL	1							N
(A=FROM 1ST)											
5	3	119620-79250	COVER, BEARING	1							
6	2	119620-79360	WASHER, THRUST	1							
7	2	119620-77421	FRAME ASSY,GENERATOR	1							
8	3	119620-79200	BEARING, BALL	1							
9	3	119620-79210	RETAINER	1							
10	3	119620-79220	SCREW	4							
11	3	119620-79230	BOLT, STUD	2							
12	2	119620-77440	FRAME ASSY	1							
13	2	129240-79300	COVER	1							
14	2	119620-77461	PULLEY, GENERATOR	1							
15	2	119620-77471	NUT	1							
16	2	119620-77490	COLLAR	1							
17	2	129423-77710	REGULATOR ASSY	1							
18	2	119620-79260	HOLDER	1							
19	2	119620-79270	HOLDER, BRUSH	1							
19-1	2	129052-79270	HOLDER, BRUSH	1							N
(A=FROM 1ST)											
20	3	119620-77480	BRUSH	2							
21	3	119620-79280	SPRING	2							
22	2	119620-79290	SCREW	6							
23	2	119620-79300	SCREW	1							
24	2	119620-79310	BOLT	3							
25	2	119620-79320	SCREW	2							
26	2	119620-79330	BOLT	2							
27	2	119620-79340	BUSH, INSULATION	1							
28	2	119620-79350	NUT	2							
29	1	26106-080452	BOLT, M8X 45 PLATED	1							
30	1	26306-100002	NUT, M10	1							
31	1	129795-01900	BOLT, STUD M10X33	1							
32	1	129972-77341	BOLT, ADJUST L=50	1							
33	1	119940-77270	SPACER	1							
34	1	119802-77330	ADJUSTER, BELT	1							

Fig.19. GASKET SET & TOOL

(A)=3TNV84T-XBL

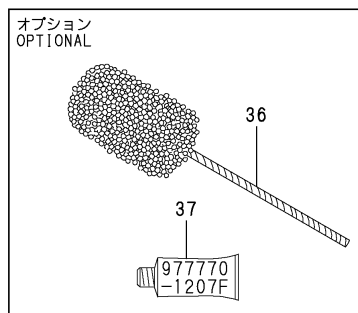
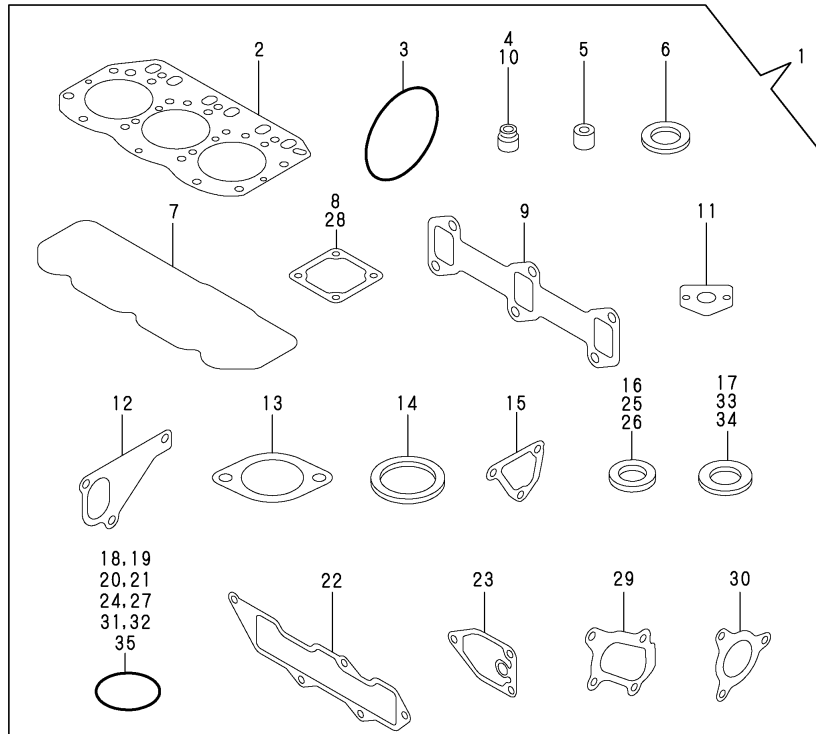
(B)=

(C)=

(D)=

(E)=

(F)=



No.	Lev.	Parts No.	Description	Q'ty						I	R
				(A)	(B)	(C)	(D)	(E)	(F)		
1	1	729246-92620	GASKET SET	1							1
2	2	129002-01331	GASKET, HEAD	1							
3	2	121850-51960	O-RING	1							
4	2	124460-11340	SEAL, VALVE STEM	3							
5	2	119802-11870	PROTECTOR, NOZZLE	3							
6	2	119625-11880	SEAT, NOZZLE	3							
7	2	129004-11310	GASKET, BONNET	1							
8	2	129150-77511	GASKET, AIR HEATER	1							
9	2	129150-13110	GASKET, EXH.MANIFOLD	1							
10	2	121400-11340	SEAL, VALVE STEM	3							
11	1	129150-35042	GASKET	1							
12	2	129486-42021	GASKET, WATER PUMP	1							
13	2	129795-49551	GASKET	1							
14	2	129150-49811	GASKET, THERMOSTAT	1							
15	2	124395-49840	GASKET, THERMOSTAT	1							
16	2	22190-080002	WASHER, SEAL 6	2							
17	2	124465-44950	GASKET, 16	1							
18	2	24311-000120	O-RING, 1AP12.0	3							
19	2	24311-000320	O-RING, 1AP32.0	2							
20	2	24341-000240	O-RING, 1AS24.0	1							
21	2	129486-42140	O-RING, G30	1							
22	2	129001-12110	GASKET, MANIFOLD	1							
23	2	129150-35111	GASKET	1							
24	2	119609-32040	O-RING, P16	4							
25	2	22190-100002	WASHER, SEAL 10	2							
26	2	22190-160002	WASHER, SEAL 16	1							
27	2	24341-000400	O-RING, 1AS40.0	1							
28	2	129100-77510	GASKET, AIR HEATER	1							
29	2	129403-18091	GASKET	1							
30	2	129535-18100	GASKET	1							
31	2	24311-240100	O-RING, 1AP10A	1							
32	1	24316-000160	O-RING, 4DP16.0	1							
33	2	23414-080000	GASKET, 8X1.0	1							
34	2	129150-49360	GASKET	1							
35	2	24311-000150	O-RING, 1AP15.0	1							
36	1	129400-92420	HONE, FLEX	1							1
37	1	977770-1207F	GASKET.LIQUID	1							1

Remarks

(1)Optional parts.

N:Old $\xrightarrow{\text{Yes}}$ New, Q:Old $\xrightarrow{\text{No}}$ New, R:Old $\xrightarrow{\text{Yes}}$ New, S:Old $\xrightarrow{\text{No}}$ New, W:Add, Z:Discontinued, F:Interchangeable by set, K:Q'ty Change

Parts No. Index

Parts No.	Fig. No.	Ref. No.
105010-39140	11	1
105025-59580	16	6
106500-44810	8	8
114250-39450	10	19
114250-53080	15	5
114250-53120	15	10
114250-53130	15	11
114250-53140	15	12
114250-53210	15	13
114250-53400	15	14
119131-18320	6	4
119233-77932	14	130
119260-34810	10	2
119593-59580	15	26
119593-59581	15	26 -1
119609-32040	2	17
	19	24
119620-77380	18	3
119620-77421	18	7
119620-77440	18	12
119620-77461	18	14
119620-77471	18	15
119620-77480	18	20
119620-77490	18	16
119620-79200	18	8
119620-79210	18	9
119620-79220	18	10
119620-79230	18	11
119620-79240	18	4
119620-79250	18	5
119620-79260	18	18
119620-79270	18	19
119620-79280	18	21
119620-79290	18	22
119620-79300	18	23
119620-79310	18	24
119620-79320	18	25
119620-79330	18	26
119620-79340	18	27
119620-79350	18	28
119620-79360	18	6
119625-11880	4	35
	19	6
119640-01640	3	15
119660-61901	14	59
119802-01561	2	13
119802-11260	4	6
119802-11270	4	7
119802-11280	4	8
119802-11870	4	34

Parts No.	Fig. No.	Ref. No.
119802-11870	19	5
119802-25051	7	10
119802-25070	7	14
119802-25071	7	14 -1
119802-25100	7	11
119802-25101	7	11 -1
119802-25901	7	17
119802-32070	2	8
119802-32100	2	7
119802-32111	2	18
119802-32120	2	19
119802-32130	2	20
119802-34850	10	3
119802-35100	10	14
119802-35110	10	15
119802-49730	12	37
119802-51090	13	105
119802-51250	13	123
119802-51560	13	66
119802-51590	13	72
119802-51600	13	73
119802-51680	13	77
119802-51690	13	78
119802-55810	16	2
119802-59550	15	46
119802-59560	15	48
119802-77330	18	34
119807-61420	14	22
119934-01800	2	6 -1
119940-77270	8	8 -1
	18	33
120130-11860	4	32
120270-54410	4	37
121023-01550	2	28
121023-01551	2	28 -1
121250-44901	12	31
121400-11340	4	30
	19	10
121550-23200	9	29
121750-59890	16	12
121850-21680	9	11
121850-42410	12	8
121850-51960	2	21
	19	3
123501-79240	18	4 -1
123900-13630	6	3
124060-01050	1	5
124060-77680	15	27
124160-01751	2	14
	4	42

Parts No.	Fig. No.	Ref. No.
124160-01910	1	7
		8
124160-11360	4	53
124160-21501	9	12
124160-39140	11	2
124240-01871	2	15
124250-49351	12	32
124395-49840	12	17
	19	15
124460-11340	4	31
	19	4
124465-44950	12	33
	19	17
124550-21600	9	16
124574-44761	12	23
124722-59050	12	38
		41
	15	47
		50
124766-59050	16	5
		9
129001-01250	1	6
129001-02930	1	25
129001-02971	1	25 -1
129001-12110	5	4
	19	22
129001-32330	2	11
129001-91841	2	22
129002-01331	1	32
	19	2
129004-01190	1	39
129004-03010	4	44
129004-11101	4	23
129004-11130	4	23 -1
129004-11241	4	3
129004-11251	4	4
129004-11310	4	49
	19	7
129004-11650	4	10
129004-11900	4	36
129004-21002	9	1
129004-42001	12	1
129004-42040	12	15
129004-49610	12	35
129004-49620	12	39
129004-49711	12	36
129004-49721	12	40
129004-53001	15	2
129004-55611	16	1
129004-55612	16	1 -1

Parts No.	Fig. No.	Ref. No.
129004-59811	15	34
129004-59821	15	38
129004-59831	15	42
129005-21650	9	9
129005-59830	11	6
129006-01520	2	12
129006-03120	4	46
129006-11350	4	43
129006-11700	4	15
129006-12100	5	2
129006-39450	11	3
129007-22080	9	17
129007-22500	9	19
129007-22900	9	35
129007-22950	9	37
129012-13650	8	6
129044-12060	5	1
129044-13500	8	5
129044-13600	8	6 -1
129044-18010	8	4
129044-34801	10	1
129044-39610	11	5
129044-42290	12	21
129044-59010	16	4
129044-59100	16	7
129044-59510	16	11
129044-61060	14	3
129044-77520	5	12
129052-79270	18	19 -1
129100-01580	3	3
	9	2
129100-01640	3	4
129100-01730	3	9
129100-11130	4	27
129100-23910	9	32
129100-35140	10	16
129100-42051	12	3
129100-42121	12	4
129100-77500	5	9
129100-77501	5	9 -1
129100-77510	5	10
	19	28
129122-44480	2	33
129129-14580	7	3
129131-21591	9	13
129135-35090	10	7
129136-77011	17	1
129136-77310	17	2
129136-77520	17	14

Parts No. Index

Parts No.	Fig. No.	Ref. No.
129139-13100	6	1
129139-39610	11	4
129150-01200	1	31
129150-01600	3	13
129150-01650	3	5
129150-02020	1	10
129150-02450	7	4
129150-02870	1	33
129150-02871	1	33 -1
129150-02930	1	28
129150-02931	1	28 -1
129150-02940	1	36
129150-02941	1	36 -1
129150-03070	4	45
129150-03090	4	56
129150-11050	4	31 A
129150-11230	4	11
129150-11280	4	9
129150-11370	4	14
129150-11750	4	13
129150-11810	4	33
129150-13110	6	2
	19	9
129150-14101	7	7
129150-14200	7	1
129150-14400	7	2
129150-23600	9	30
129150-23601	9	30 -1
129150-23610	9	33
129150-23611	9	33 -1
129150-25301	7	16
129150-35042	10	6
	19	11
129150-35111	10	17
	19	23
129150-35170	10	18
129150-49360	12	34
	19	34
129150-49811	12	26
	19	14
129150-59120	15	30
129150-59131	15	33
129150-77511	5	11
	19	8
129155-49801	12	25
129155-51280	14	5
129155-61460	14	25
129175-01770	3	14
129202-22300	9	23
129240-79300	18	13

Parts No.	Fig. No.	Ref. No.
129255-61410	14	21
129350-49530	12	27
129400-77490	17	12
129400-77571	17	18
129400-92420	19	36
129403-18091	8	1
	19	29
129403-42380	12	20
129418-18320	8	7
129418-32320	2	10
129423-77200	18	1
129423-77710	18	17
129486-01670	3	7
129486-42021	12	14
	19	12
129486-42140	12	16
	19	21
129486-59510	15	51
129486-59551	15	49
129535-18100	8	2
	19	30
129553-39650	10	12
129655-44740	12	22
129792-39410	10	21
129795-01780	3	6
129795-01800	2	6
129795-01900	18	31
129795-01950	2	16
129795-02411	1	13
129795-02412	1	13 -1
129795-11120	4	28
129795-11180	4	29
129795-21661	9	10
129795-49551	12	28
	19	13
129900-07900	4	1
129900-32130	2	9
129900-77400	17	3
129900-77440	17	6
129900-77450	17	7
		11
129900-77460	17	9
129900-77480	17	10
129900-77640	17	19
129916-59020	13	121
129950-59311	16	8
129961-59110	16	10
129972-77341	18	32
158552-51151	7	18
158552-51570	13	56

Parts No.	Fig. No.	Ref. No.
158552-51570	13	57
158552-51580	13	69
158552-51600	13	71
158552-51670	13	4
158552-51780	13	88
158552-51781	13	88 -1
158552-52100	13	95
158552-52310	13	96
158552-52400	13	110
158552-52500	13	95 A
158552-61441	14	23
158552-61900	14	82 -1
158553-51551	13	64
158553-51630	13	81
158553-51640	13	82
158553-51660	13	85
158553-51670	13	76
158553-51680	13	86
158553-51770	13	114
158553-61050	14	2
158557-51570	13	68
158560-51300	13	47
158563-51281	13	45
		46
158563-51330	13	54
158563-61060	14	3 -1
158600-51270	13	28
158601-51340	13	55
158601-51550	13	65
158601-51570	13	67
158601-51650	13	83
158601-51770	13	87
158601-51790	13	89
171002-66830	14	60
171008-77450	17	8
171008-77510	17	13
171008-77540	17	15
171008-77650	17	20
171008-77660	17	24
171008-77670	17	25
171008-77750	17	31
171031-11741	2	29
171051-01921	1	9
171056-49120	12	43
22190-080002	11	7
		9
	19	16
22190-100002	11	10
	19	25
22190-120000	14	63

Parts No.	Fig. No.	Ref. No.
22190-120002	13	97
		98
		99
22190-160002	19	26
22190-180002	13	100
		101
22190-220002	3	16
22217-140000	7	20
22252-000260	9	24
22312-050140	13	102
22351-030010	9	8
	10	20
22351-050010	13	103
22351-060012	4	38
22512-070140	7	8
22857-500100	4	50
		51
23000-022000	11	11
23000-041000	5	5
23000-060000	5	6
23414-080000	11	17
	12	30
	19	33
23857-030000	11	8
23857-060000	13	106
23876-010000	12	11
23876-020000	12	12
23876-030000	2	4
23876-040000	2	5
23887-120002	13	107
	14	65
24311-000070	13	109
24311-000120	4	54
	19	18
24311-000150	19	35
24311-000320	2	23
		32
	4	55
	19	19
24311-240100	10	4
	19	31
24316-000160	11	12
	19	32
24341-000240	2	30
	19	20
24341-000280	14	82
24341-000360	14	83
24341-000400	4	52
	19	27
24356-010180	13	111

Parts No. Index

Parts No.	Fig. No.	Ref. No.
24356-010200	13	79 112
24372-000150	13	80
26014-080252	8	9
26106-060102	13	113
	14	67
		84
26106-060142	14	84 -1
		85
26106-060162	2	31
	11	13
26106-060202	12	24
	14	86
26106-060322	17	29
26106-060402	17	30
26106-080122	11	14
		16
	12	42
26106-080142	7	9
26106-080162	2	24
		25
	3	18
	4	2
	10	5
	12	18
	13	124
26106-080202	5	7
	10	13
	13	125
26106-080222	12	29
26106-080252	3	11
	4	39
	8	9 -1
26106-080302	16	3
26106-080352	3	8
	4	40
	10	11
26106-080402	5	13
	7	15
26106-080452	3	12
	12	44
	18	29
26106-080502	4	41
26106-080552	2	26
26106-080602	12	19
26106-080802	5	8
26116-120202	17	32
26206-100202	3	10
26206-100252	3	2
26216-060162	13	115

Parts No.	Fig. No.	Ref. No.
26306-080002	2	27
	8	3
		10
26306-100002	18	30
26366-060002	11	15
26450-080452	13	119
26756-060002	14	68
26776-140002	7	19
27241-120000	1	14
27241-300000	1	15
27241-400000	4	21
27310-080001	4	25
719802-01500	2	1
729006-01560	1	1
729044-51350	13	1
729245-53100	15	1
729246-92620	19	1
729402-23100	9	25
977770-1207F	19	37
X2114255110	17	5
X2114555500	17	21
X2114955020	17	22
X2130350900	17	4
X2240410100	17	23
X9490561001	18	2

Parts No.	Fig. No.	Ref. No.
-----------	----------	----------

Parts No.	Fig. No.	Ref. No.
-----------	----------	----------