

0CB10-M73002EN

## Directions for the Parts Catalog.

1. This Parts Catalog shows both standard and optional parts.
2. Parts may change without prior notice.
3. The following is an example of the Parts Catalog format.

REF.	LEV.	PARTS NO.	DESCRIPTION	Q'TY						I	R
				(A)	(B)	(C)	(D)	(E)	(F)		
1	1	729595-51390	FUEL INJECTION PUMP	1	1	1	1	1			1
1-1	1	729595-51391	FUEL INJECTION PUMP	1	1	1	1	1		N	1
		(A=E00185) (B=E00200)									
3	2	26022-060162	SCREW M 6X 16	9	9	9	9	9			
3-1	2	26022-060162	SCREW M 6X 16	4	4	4	4	4		K	
		(A=E00156) (B=E00156) (C=E00156) (D=E00156) (E=E00156)									
4	2	129470-51040	CAMSHAFT	1	1	1	1	1			
5	2	122710-51050	BEARING, ROLLER	2	2	2	2	2			
6	2	129470-51060	RETAINER	1	1	1	1	1			

Remarks
(1) BOOST COMPEMSATOR TYPE. OPTIONAL PART, TO E00155,(4JH-DT, 4JH-DTZ

### ① Ref. No.

The Ref. No. listed may not be in accordance with the illustration Ref. No.

(Ex.) Illustration No.

List Ref No.

1

1

(Before change) → 1-1 (After change)

For interchangeable symbols N, R and K, illustrations for new parts may be abbreviated.

### ② Lev. (Level)

Level indication

The numbers below indicate the level of relativity towards the main part.

1 ----- Main parts (Assembly parts)

2 ----- Sub component included in " 1 ".

3 ----- Sub component included in " 2 ".

Note) Parts that are not for sale are partially illustrated but not listed.

### ③ Interchangeability Symbol

When a part change takes place, one of the following interchangeability symbols is indicated beside the part.

Symbol	Interchangeability	Contents note
N	Old $\begin{matrix} \leftarrow \text{Yes} \\ \text{No} \rightarrow \end{matrix}$ New	New Part is interchangeable for Old Part but Old Part is not interchangeable for New Part.
Q	Old $\begin{matrix} \leftarrow \text{No} \\ \text{Yes} \rightarrow \end{matrix}$ New	New Part is not interchangeable for Old Part but Old Part is interchangeable for New Part.
R	Old $\begin{matrix} \leftarrow \text{Yes} \\ \text{Yes} \rightarrow \end{matrix}$ New	New/ Old Parts are both interchangeable.
S	Old $\begin{matrix} \leftarrow \text{No} \\ \text{No} \rightarrow \end{matrix}$ New	New/ Old Parts are both not interchangeable.
W		Part newly added.
Z		Part discontinued.
F		Not interchangeable by a single part but interchangeable together with related parts.
K		Changes only for used parts quantities.

### ④ Effective Machine No.

When a part changes, the effective Machine No. will be indicated in the (A)-(F) column.

Product Symbol	Product No.	Product Symbol	Product No.
C	Clutch No. Compressor No.	F	Machine No. (Agricultural Equip.)
D	Drive No.	M	Machine No.
E	Engine No.		

Note 1) A date may follow the symbol. (Ex.) 1996.01

Note 2) "XXXXX" and "ZZZZZ" are for parts that could not be predicted or for engine models that could not be identified.

Note 3) (A=E00185) is the E (Engine Serial Number) for the column (A) model (in this case 4JH-DT) after the parts design change.

### ⑤ Remarks

Figures or alphabets (symbols) are entered in the remarks column.

The comments (remarks) on parts that are indicated at the bottom of the illustration are the same symbols as those stated above.

# Contents

0CB10-M73002

Fig. No. Fig. Name

2TE67L-FW

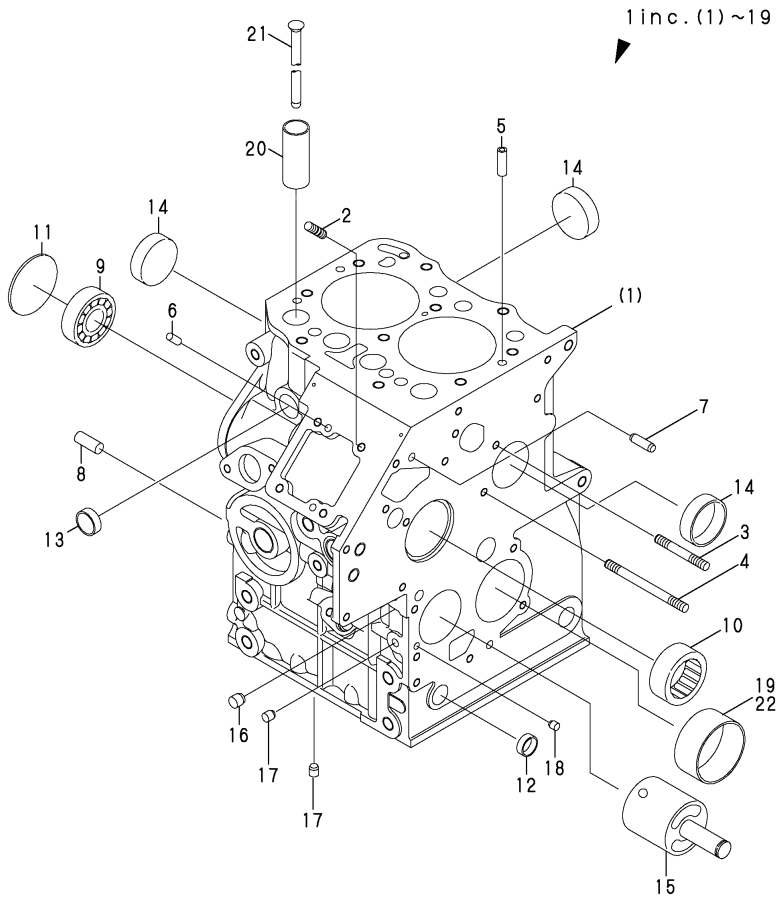
1. CYLINDER BLOCK
2. GEAR CASE & GOVERNOR
3. OIL PAN
4. ROCKER ARM ASSY
5. CYLINDER HEAD
6. CAMSHAFT ASSY
7. IDOL GEAR ASSY
8. CRANK SHAFT & PISTON
9. SOLENOID & GAUGE
10. WATER PUMP
11. INJECTION PUMP & INJECTOR
12. FUEL FILTER ASSY
13. STARTING MOTER & FLYWHEEL
14. ALTERNATOR
15. GASKET SET

Fig. No. Fig. Name

Fig.1. CYLINDER BLOCK

(A)=2TE67L-FW  
(B)=  
(C)=

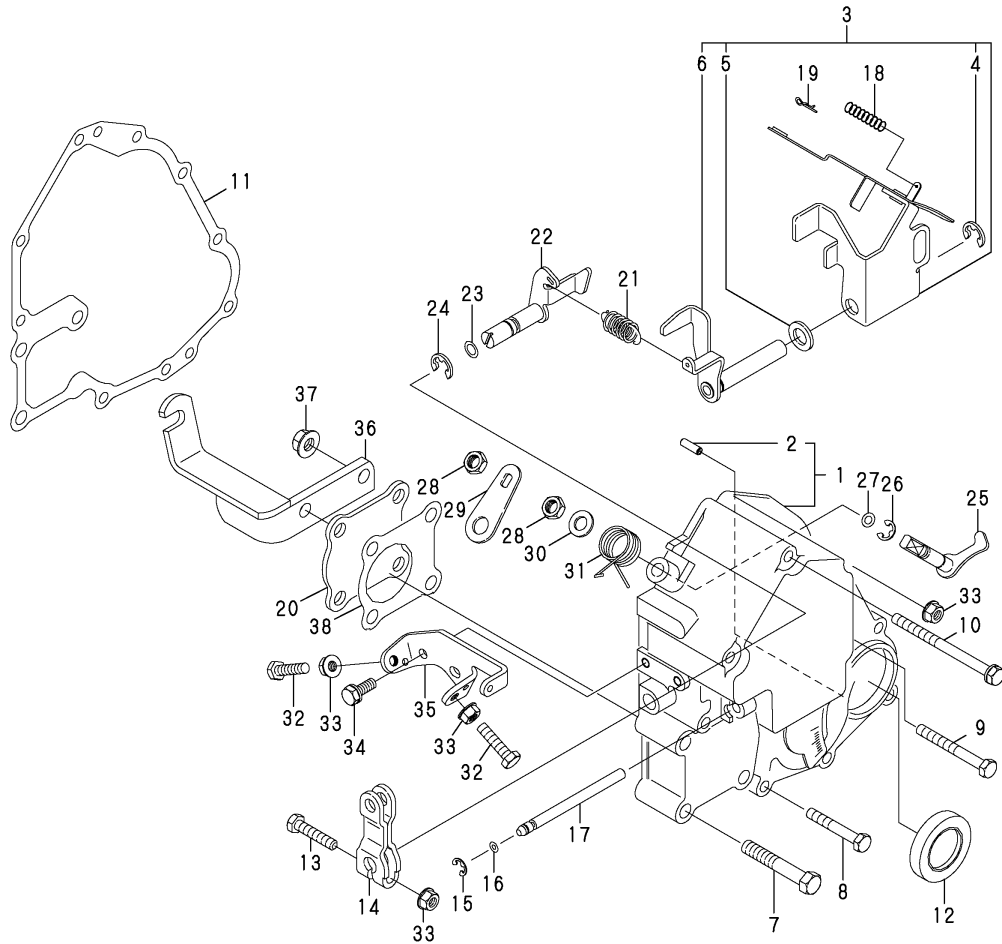
(D)=  
(E)=  
(F)=



No.	Lev.	Parts No.	Description	Q'ty						I	R
				(A)	(B)	(C)	(D)	(E)	(F)		
1	1	165000-47460	CYLINDER BLOCK COMPL	1							
2	2	26216-060202	STUD, M6X 20	2							
3	2	165000-23220	STUD BOLT	1							
4	2	165000-14430	STUD BOLD	1							
5	2	165000-23270	SPRING PIN	2							
6	2	1W0305-00512	DOWEL PIN	2							
7	2	22312-060160	PIN, PARALLEL M6X16	2							
8	2	1W0305-00825	PIN,KNOCK	2							
9	2	24101-062034	BEARING, BALL 6203	1							
10	2	165000-23310	NEEDLE BEARING	1							
11	2	119623-01250	PLUG, DISH TYPE 45	1							
12	2	165000-14490	SEALING CAP	1							
13	2	165000-14500	SEALING CAP	1							
14	2	165000-14520	SEALING CAP	3							
15	2	165000-15540	IDLE GEAR SHAFT COMP	1							
16	2	165000-23340	BLANK PLUG	4							
17	2	165000-15790	BLANK PLUG	2							
18	2	165000-15780	BLANK PLUG	3							
19	2	165000-15840	BUSH;S.T.D	1							
19-1	2	165000-73630	BUSH	1							R
(A=E/#04708)											
20	1	165000-14920	TAPPET	4							
21	1	165000-47500	PUSH ROD COMPL	4							
22	1	165000-15850	BUSH;U.S.0.25	1							1
22-1	1	165001-18980	BUSH;U.S.0.25	1							R 1
(A=E/#04708)											

Remarks  
(1)UNDER SIZED(U.S.=0.25)PART.

Fig.2. GEAR CASE & GOVERNOR



(A)=2TE67L-FW  
(B)=  
(C)=

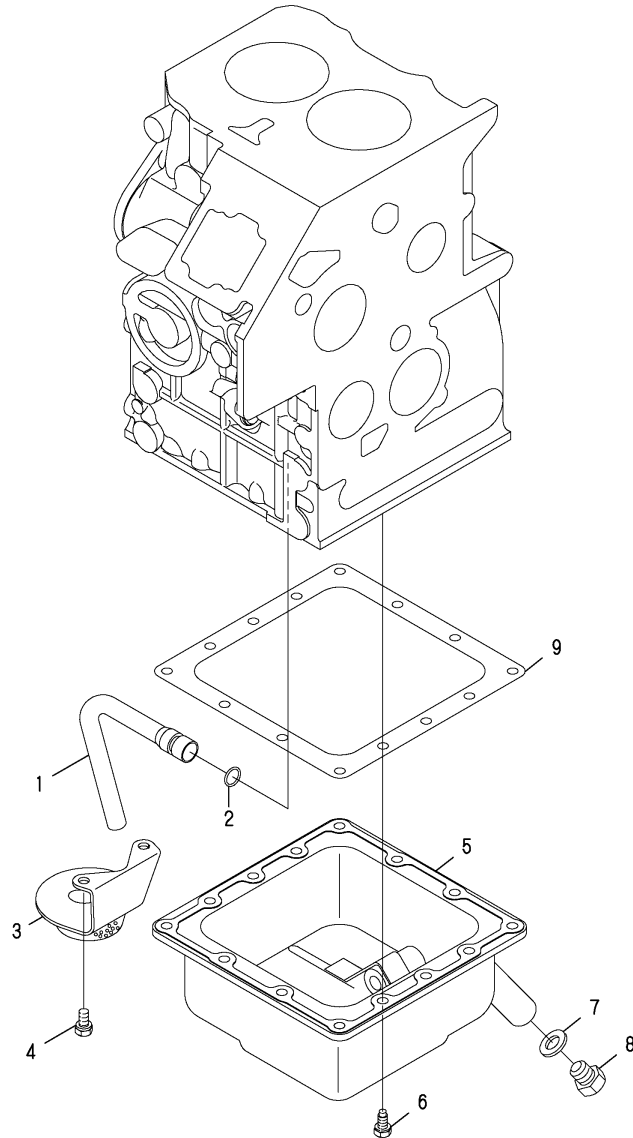
(D)=  
(E)=  
(F)=

No.	Lev.	Parts No.	Description	Q'ty						I	R
				(A)	(B)	(C)	(D)	(E)	(F)		
1	1	165000-15510	TIMING GEAR CASE COM	1							
2	2	1W0303-00414	PIN	1							
3	1	165000-15050	GOVENOR LEVER ASSY	1							
4	2	22272-000080	RING, E- 8	1							
5	2	22117-100000	WASHER, 10	1							
6	2	165000-15110	GOVENOR LEVER ASSY	1							
7	1	26116-080552	BOLT, M8X 55 PLATED	4							
8	1	26013-060402	BOLT, SPRING M6X 40	4							
9	1	165000-14410	BOLT	2							
10	1	165000-14420	BOLT	2							
11	1	165000-15560	GASKET	1							
12	1	165000-15940	OIL SEAL	1							
13	1	1W0101-10630	BOLT	1							
14	1	165000-15120	GOVENOR LEVER	1							
15	1	22272-000050	RING, E- 5	1							
16	1	165000-14450	O-RING	2							
17	1	165000-15060	SHAFT	1							
18	1	165000-15740	SPRING PIN	1							
19	1	22372-040000	PIN, SNAP 4	1							
20	1	165000-15570	GASKET	1							
21	1	165000-49750	SPRING	1							
22	1	165000-15070	ARM COMPL	1							
23	1	165000-14470	O-RING	1							
24	1	22272-000080	RING, E- 8	1							
25	1	165000-15080	ARM COMPL	1							
26	1	22272-000060	RING, E- 6	1							
27	1	165000-14460	O-RING	1							
28	1	26756-080002	NUT, LOCK M8	2							
29	1	165000-15090	ATOP LEVER	1							
30	1	22117-080000	WASHER, 8	1							
31	1	165000-15680	SPTRING	1							
32	1	165000-23170	BOLT	2							
33	1	26366-060002	NUT, M6	4							
34	1	26013-060162	BOLT, SPRING M6X 16	2							
34-1	1	1W0113-10614	BOLT	2							S
(A=E/#04708)											
35	1	165000-15130	ATAY	1							
36	1	165000-48470	STAY,CABLE SUPPORT	1							
37	1	26366-080002	NUT, M8	4							
38	1	165000-15530	COVER	1							

Fig.3. OIL PAN

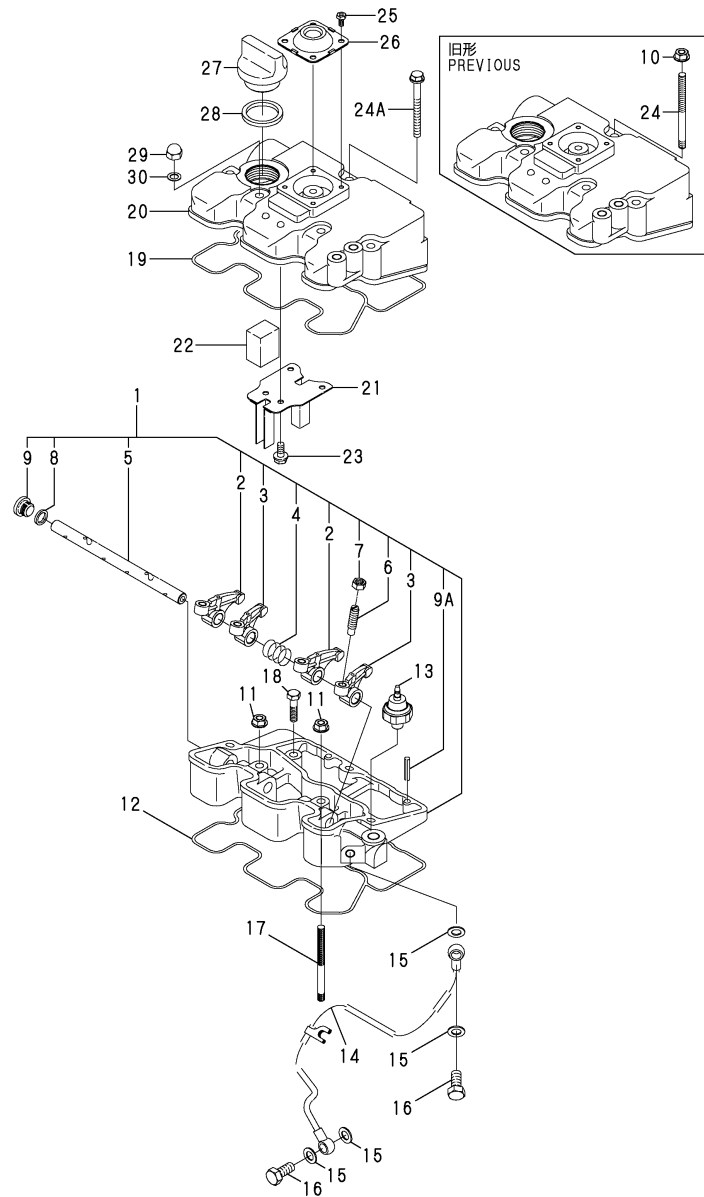
(A)=2TE67L-FW  
(B)=  
(C)=

(D)=  
(E)=  
(F)=



No.	Lev.	Parts No.	Description	Q'ty						I	R
				(A)	(B)	(C)	(D)	(E)	(F)		
1	1	165000-47470	OIL PIPE	1							
2	1	1W0521-09076	O-RING 1A P-11.0	1							
3	1	165000-47480	SUCTION FILTER COMPL	1							
4	1	26013-060122	BOLT, SPRING M6X 12	2							
5	1	165000-47490	OIL PAN COMPL	1							
6	1	165000-23160	BOLT	14							
7	1	22190-120000	WASHER, SEAL 12	1							
8	1	1W0104-11212	BOLT	1							
9	1	165000-14670	GASKET	1							

Fig.4. ROCKER ARM ASSY



(A)=2TE67L-FW  
(B)=  
(C)=

(D)=  
(E)=  
(F)=

No.	Lev.	Parts No.	Description	Qty						I	R
				(A)	(B)	(C)	(D)	(E)	(F)		
1	1	165000-47610	ROCKER ARM ASSY	1							
1-1	1	165000-49720	ROCKER ARM ASSY	1							N
(A=E/#01253)											
2	2	165000-47620	ROCKER ARM COMPL;EX	2							
3	2	165000-47630	ROCKER ARM COMPL;IN	2							
4	2	165000-47640	SPRING	1							
5	2	165000-47650	ROCKER ARM SHAFT	1							
6	2	165000-16010	SCREW	4							
7	2	165000-23240	NUT	4							
8	2	24311-000100	O-RING, 1AP10.0	1							
9	2	165000-47660	PLUG	1							
9A	2	22351-010016	PIN, SPRING 1.0X16	2							W
(A=E/#01253)											
10	1	26366-060002	NUT, M6	3							Z
(A=E/#01253)											
11	1	26366-060002	NUT, M6	2							
12	1	165000-47670	GASKET	1							
13	1	165000-15610	OIL PRESSURE SWITCH	1							
14	1	165000-47680	OIL PIPE COMPL	1							
15	1	165000-15400	GASKET;M8	4							
16	1	165000-15810	BOLT	2							
17	1	165000-48270	STUD BOLT	2							
18	1	26013-060252	BOLT, SPRING M6X 25	1							
19	1	165000-47700	GASKET	1							
20	1	165000-47710	HEAD COVER	1							
21	1	165000-47720	PLATE	1							
22	1	165000-47730	FILTER	1							
23	1	22857-400061	SCREW, 4X 6	4							
24	1	165000-51560	STUD BOLT	3							Z
(A=E/#01253)											
24A	1	1W0113-10670	BOLT	3							W 1
(A=E/#01253)											
25	1	165000-48320	BOLT	4							
26	1	165000-47760	VALVE	1							
27	1	1W3984-30560	PLUG	1							
28	1	24311-000280	O-RING, 1AP28.0	1							
29	1	165000-48280	CAP NUT	2							
29-1	1	26657-060002	NUT, CAP M6	2							S
(A=FROM 1ST)											
30	1	165000-47780	GASKET;M6	2							

Remarks  
(1)INTERCHANGEABLE BY SIMULTANEOUS REPLACEMENT WITH REF.NO.24A, FIG.5 NO.1-1.

Fig.5. CYLINDER HEAD

(A)=2TE67L-FW

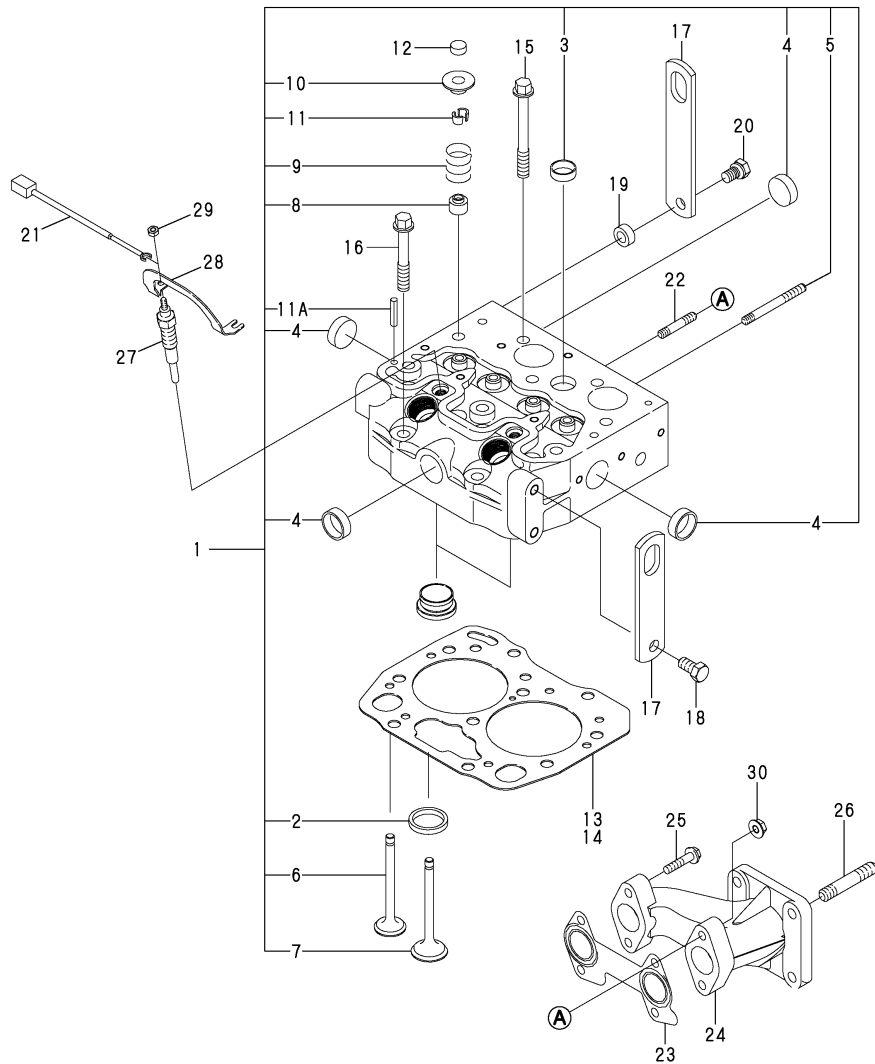
(B)=

(C)=

(D)=

(E)=

(F)=



No.	Lev.	Parts No.	Description	Q'ty						I	R
				(A)	(B)	(C)	(D)	(E)	(F)		
1	1	165000-47790	CYLINDER HEAD ASSY	1							
1-1	1	165000-49730	CYLINDER HEAD ASSY	1							S 1
(A=E/#01253)											
2	2	165000-47800	VALVE SEAT;IN	2							
3	2	165000-14500	SEALING CAP	1							
4	2	165000-14510	SEALING CAP	4							
5	2	165000-23200	STUD BOLT	1							
6	2	165000-47810	VALVE;IN	2							
7	2	165000-14940	VALVE;EX	2							
8	2	165000-15020	VALVE GUIDE SEAL	4							
9	2	165000-15700	SPRING	4							
10	2	165000-14950	RERAINER	4							
11	2	165000-14970	COTTER	8							
11A	2	165000-49740	SPRING PIN	2							W
(A=E/#01253)											
12	1	165000-14960	VALVE CAP	4							
13	1	165000-47820	HEAD GASKET;1.2	1							
14	1	165000-47830	HEAD GASKET;1.3	1							
15	1	165000-14710	HEAD BOLT	8							
16	1	165000-14720	HEAD BOLT	2							
17	1	165000-47840	HANGER	2							
18	1	26013-080162	BOLT, SPRING M8X 16	1							
19	1	165000-47850	COLLAR	1							
20	1	26013-080202	BOLT, SPRING M8X 20	1							
21	1	165000-15640	WIRE HARNESS	1							
22	1	26216-060252	STUD, M6X 25	2							
23	1	165000-15300	GASKET;EX MANIFOLD	1							
24	1	165000-47860	EXHAUST MANIFOLD	1							
25	1	26013-060252	BOLT, SPRING M6X 25	2							
26	1	26216-080202	STUD, M8X 20	4							
27	1	165000-47870	GLOW PLUG	2							
28	1	165000-47880	CONNECTER	1							
29	1	26367-040002	NUT, M4	2							
30	1	26366-060002	NUT, M6	2							

Remarks

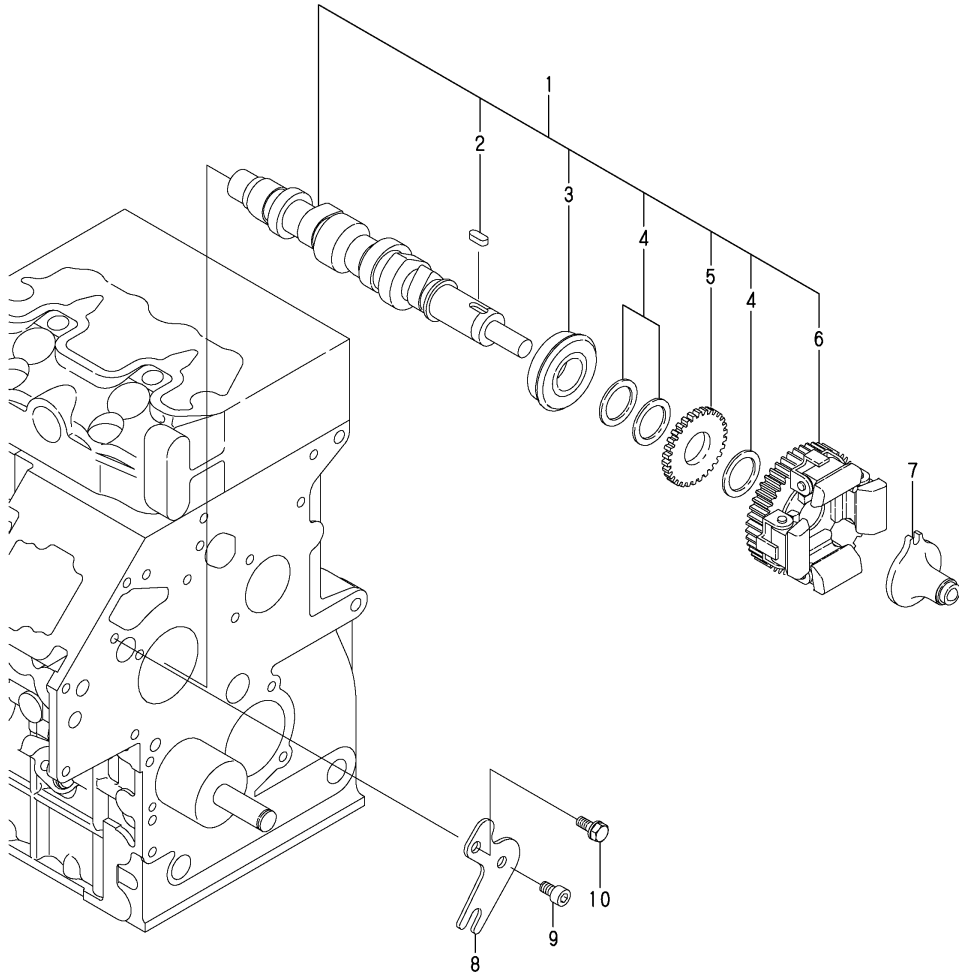
(1)INTERCHANGEABLE BY SIMULTANEOUS REPLACEMENT WITH REF.NO.1-1, FIG.4 NO.24A.



Fig.6. CAMSHAFT ASSY

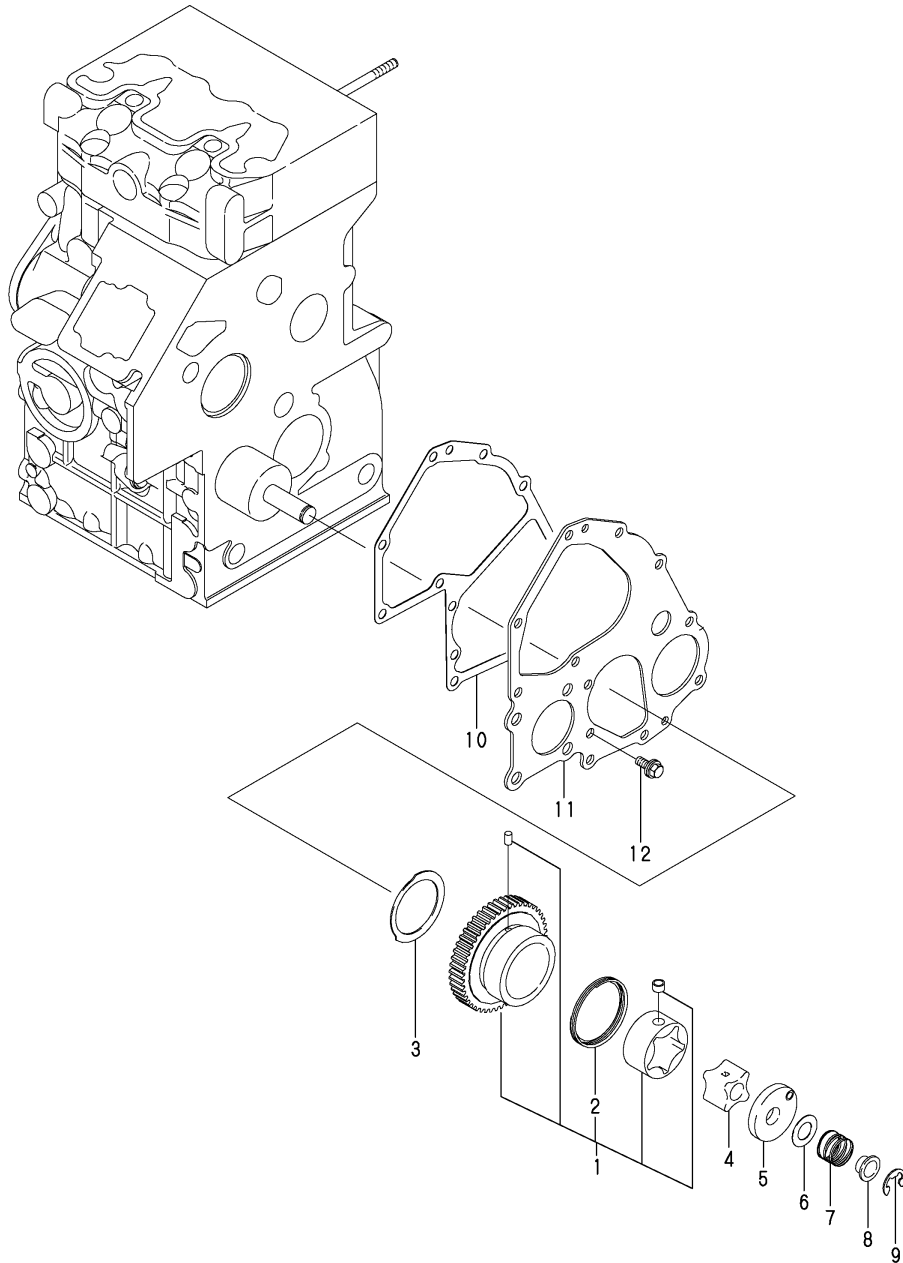
(A)=2TE67L-FW  
(B)=  
(C)=

(D)=  
(E)=  
(F)=



No.	Lev.	Parts No.	Description	Q'ty						I	R
				(A)	(B)	(C)	(D)	(E)	(F)		
1	1	165000-47890	CAMSHAFT ASSY	1							
2	2	1W0341-00508	KEY	1							
3	2	1W0401-09059	BEARING	1							
4	2	165000-15960	APACER	3							
5	2	165000-15040	GEAR	1							
6	2	165000-14890	CAMGEAR COMPL	1							
7	1	165000-15100	SLIDER COMPL	1							
8	1	165000-16020	PLATE	1							
9	1	26450-060102	BOLT, M6X 10	1							
10	1	26013-060122	BOLT, SPRING M6X 12	1							

Fig.7. IDOL GEAR ASSY

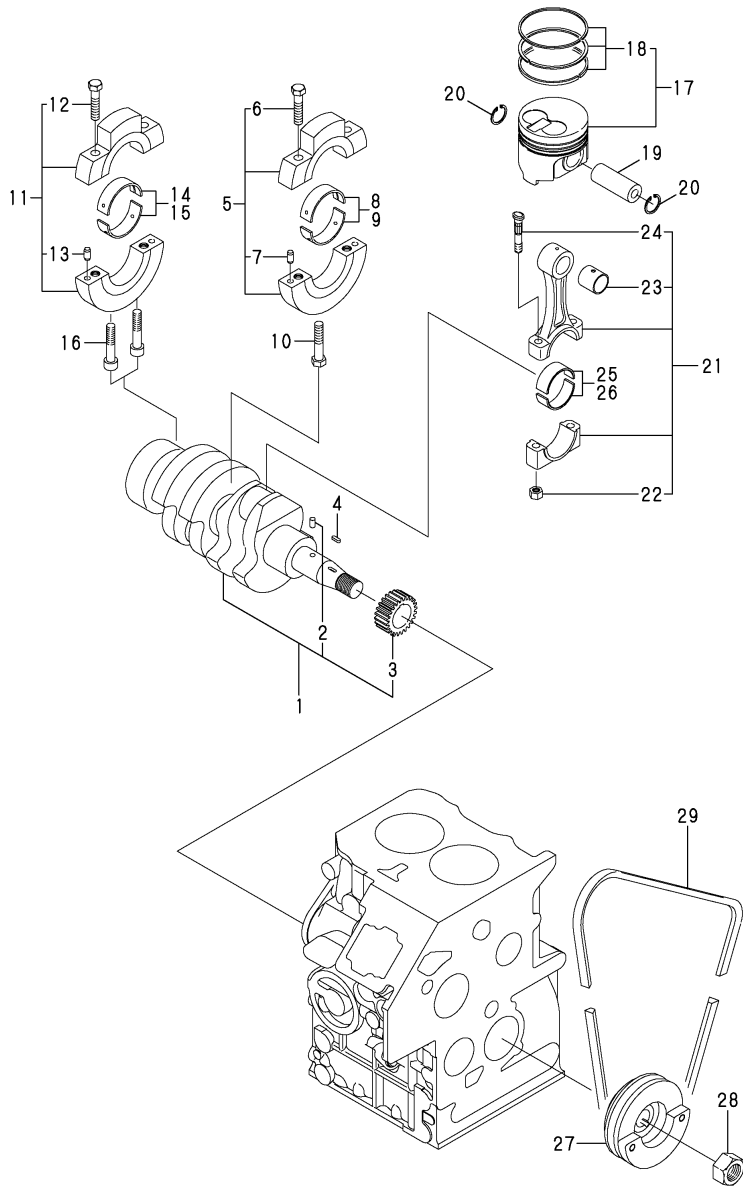


(A)=2TE67L-FW  
(B)=  
(C)=

(D)=  
(E)=  
(F)=

No.	Lev.	Parts No.	Description	Q'ty						I	R
				(A)	(B)	(C)	(D)	(E)	(F)		
1	1	165000-15500	IDLE GEAR ASSY	1							
2	2	165000-15690	SPRING	1							
3	1	165000-15980	THRUST WASHER	1							
4	1	165000-15340	ROTOR	1							
5	1	165000-15320	OIL PUMP COVER	1							
6	1	165000-16000	SHIM SET	1							
7	1	165000-15670	SPRING	1							
8	1	165000-15970	COLLAR	1							
9	1	22272-000100	RING, E-10	1							
10	1	165000-15550	GASKET	1							
11	1	165000-15520	FRONT PLATE	1							
12	1	26013-060122	BOLT, SPRING M6X 12	3							

Fig.8. CRANK SHAFT & PISTON



(A)=2TE67L-FW  
(B)=  
(C)=

(D)=  
(E)=  
(F)=

No.	Lev.	Parts No.	Description	Q'ty						I	R
				(A)	(B)	(C)	(D)	(E)	(F)		
1	1	165000-47520	CRANK SHAFT COMPL	1							
2	2	165000-23290	DOWEL PIN	1							
3	2	165000-14840	CRANK GEAR	1							
4	1	1W0341-00508	KEY	1							
5	1	165000-47530	BEARING HOLDER ASSY	1							
6	2	26106-080450	BOLT, M8X 45 PLATED	2							
7	2	165000-23280	DOWEL PIN	2							
8	1	165000-15910	METAL KIT;S.T.D	1							
8-1	1	165001-18970	METAL KIT;S.T.D	1							R
(A=E/#04708)											
9	1	165000-15920	METAL KIT;U.S 0.25	1							1
9-1	1	165001-18960	METAL KIT;U.S 0.25	1							R 1
(A=E/#04708)											
10	1	26013-080502	BOLT, SPRING M8X 50	1							
11	1	165000-47540	BEARING HOLDER ASSY	1							
12	2	26106-080502	BOLT, M8X 50 PLATED	2							
13	2	165000-23280	DOWEL PIN	2							
14	1	165000-15890	METAL KIT;S.T.D	1							
15	1	165000-15900	METAL KIT;U.S 0.25	1							1
16	1	26450-080452	BOLT, M8X 45	2							
17	1	165000-47550	PISTON KIT;S.T.D	2							
18	2	165000-47560	PISTON RING KIT;S.T.	2							
19	1	165000-14850	PISTON PIN	2							
20	1	22252-000190	RING, 19	4							
21	1	165000-47570	CONNECTING ROD ASSY	2							
22	2	165000-23250	NUT	4							
23	2	165000-15880	BUSH	2							
24	2	165000-14820	BOLT	4							
25	1	165000-15860	METAL;S.T.D	4							
25-1	1	165001-18950	METAL;S.T.D	4							R
(A=E/#04622)											
26	1	165000-15870	METAL U.S=0.25	4							1
26-1	1	165001-18940	METAL U.S=0.25	4							R 1
(A=E/#04622)											
27	1	165000-49710	CRANK SHAFT PULLEY	1							
28	1	1W0208-00018	NUT	1							
29	1	165002-14160	V-BELT	1							

Remarks

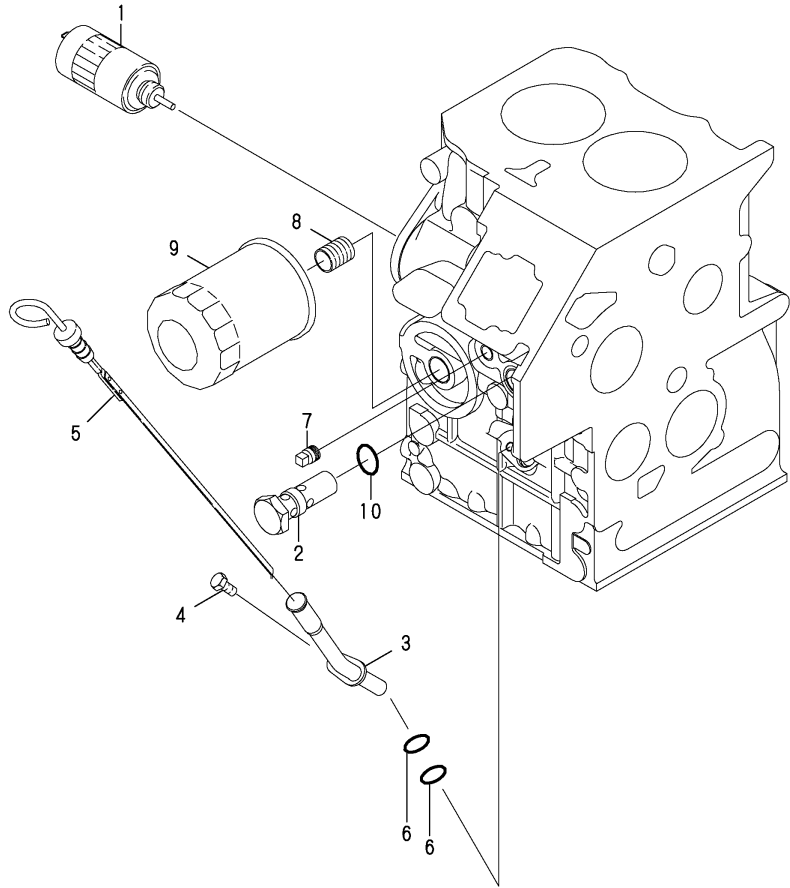
(1)UNDER SIZED(U.S.=0.25)PART.

N:Old  $\begin{matrix} \leftarrow \text{Yes} \\ \text{No} \end{matrix}$  New, Q:Old  $\begin{matrix} \leftarrow \text{No} \\ \text{Yes} \end{matrix}$  New, R:Old  $\begin{matrix} \leftarrow \text{Yes} \\ \text{Yes} \end{matrix}$  New, S:Old  $\begin{matrix} \leftarrow \text{No} \\ \text{No} \end{matrix}$  New, W:Add, Z:Discontinued, F:Interchangeable by set, K:Q'ty Change

Fig.9. SOLENOID & GAUGE

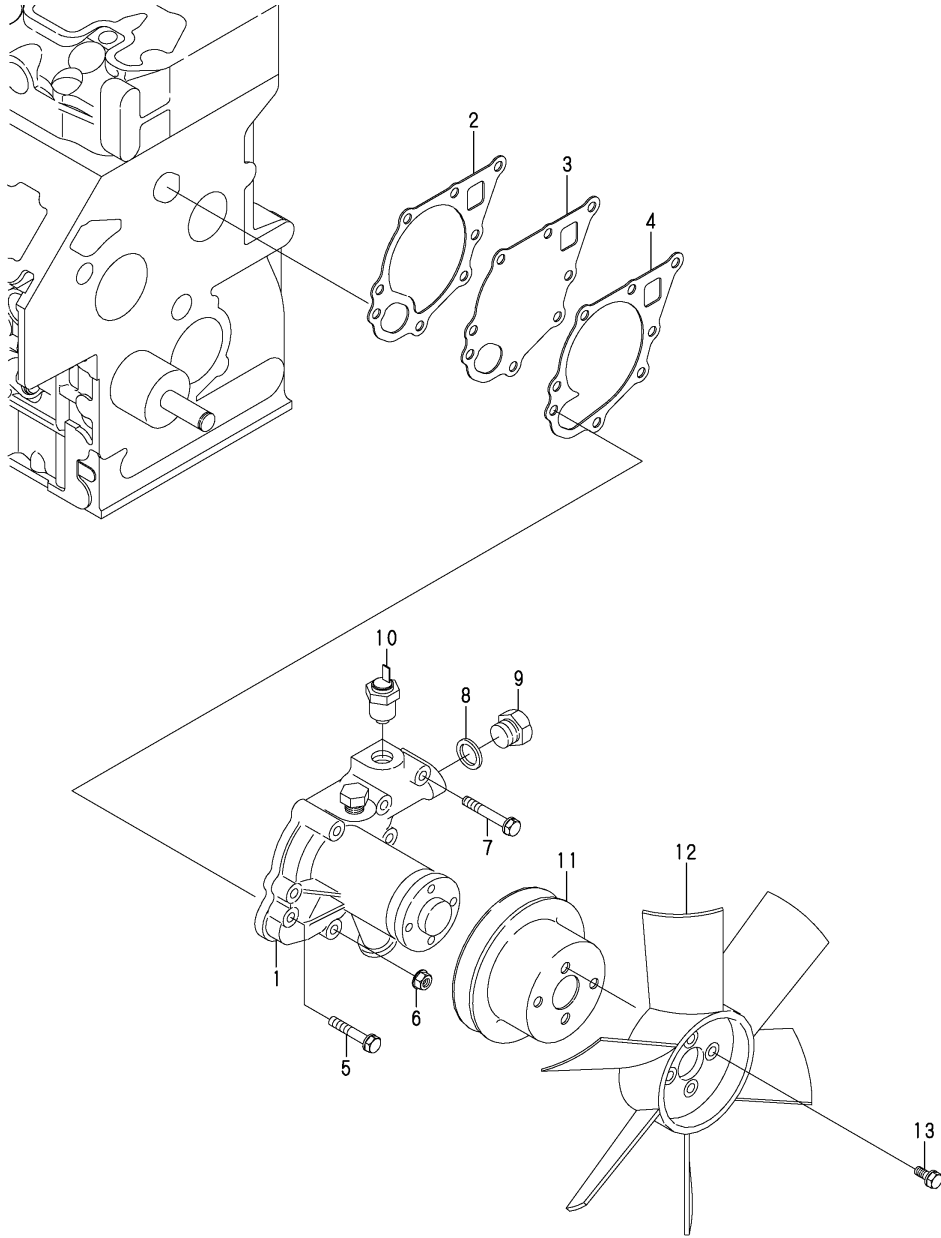
(A)=2TE67L-FW  
(B)=  
(C)=

(D)=  
(E)=  
(F)=



No.	Lev.	Parts No.	Description	Q'ty						I	R
				(A)	(B)	(C)	(D)	(E)	(F)		
1	1	165000-15600	STOP SOLENOID	1							
1-1	1	165000-59670	STOP SOLENOID	1							R
(A=E/#04708)											
2	1	165000-15310	RELIEF VALVE ASSY	1							
3	1	165000-47510	GAUGE GUIDE COMPL	1							
4	1	26013-060122	BOLT, SPRING M6X 12	1							
5	1	165000-15750	GAUGE COMPL	1							
6	1	165000-14480	O-RING	2							
7	1	1W0645-00020	PLUG	1							
8	1	165000-15370	JOINT	1							
9	1	165000-15360	OIL FILTER COMPL	1							
10	1	165000-48510	O-RING	1							

Fig.10. WATER PUMP



(A)=2TE67L-FW  
(B)=  
(C)=

(D)=  
(E)=  
(F)=

No.	Lev.	Parts No.	Description	Q'ty						I	R
				(A)	(B)	(C)	(D)	(E)	(F)		
1	1	165000-15410	WATER PUMP ASSY	1							
2	1	165000-15470	GASKET;WATER PUMP	1							
3	1	165000-15420	SET PLATE	1							
4	1	165000-15480	GASKET;SET PLATE	1							
5	1	26013-060352	BOLT, SPRING M6X 35	3							
6	1	26366-060002	NUT, M6	2							
7	1	26013-060502	BOLT, SPRING M6X 50	6							
8	1	22190-160000	WASHER, SEAL 16	1							
9	1	165000-16040	BOLT	1							
10	1	165000-16030	SENSOR;THERMO SWITCH	1							
11	1	165000-15460	FAN PULLEY	1							
12	1	165000-15450	COOLING FAN COMPL	1							
13	1	1W0113-10614	BOLT M 6X 25	4							

Fig.11. INJECTION PUMP & INJECTOR

(A)=2TE67L-FW

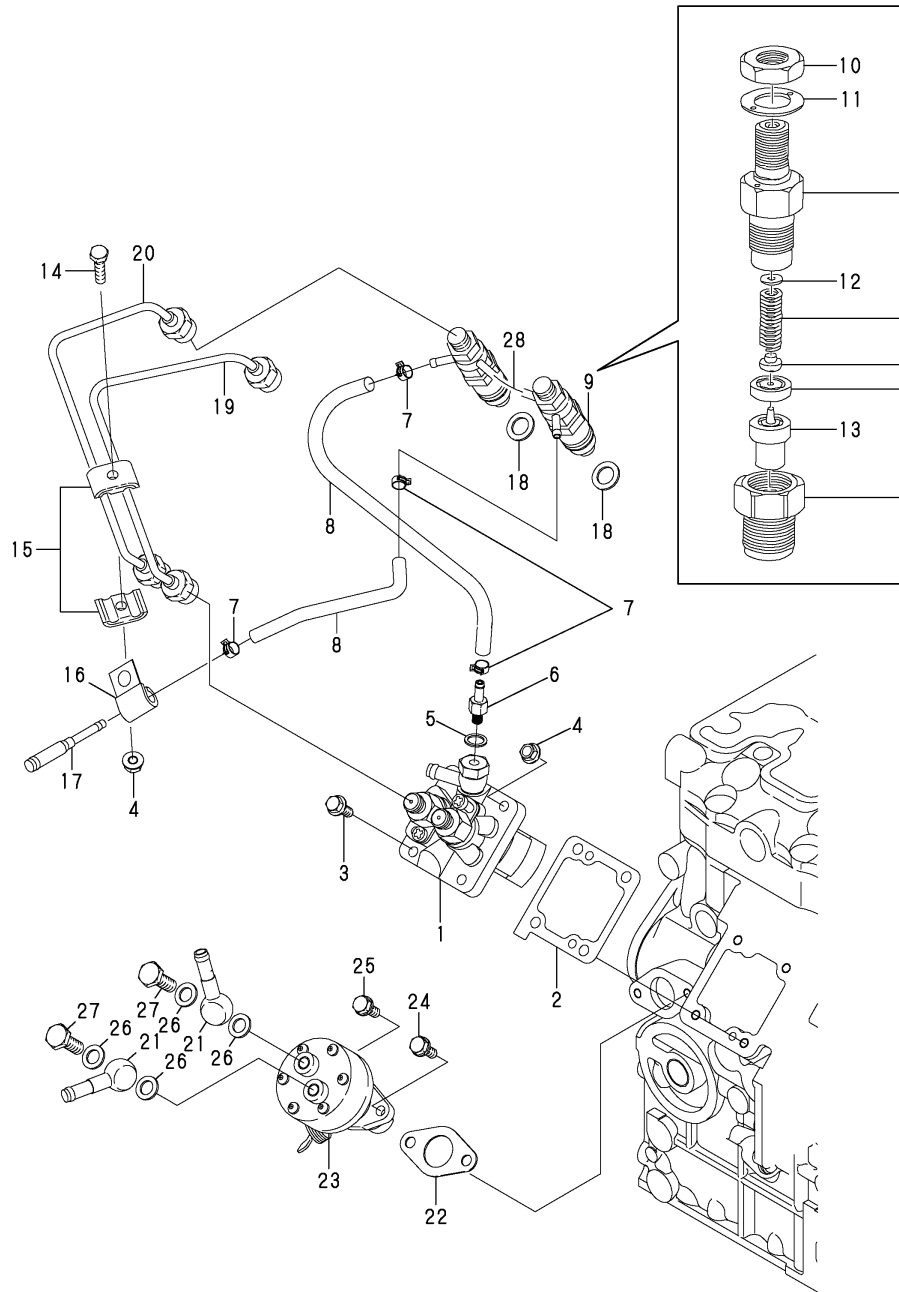
(B)=

(C)=

(D)=

(E)=

(F)=

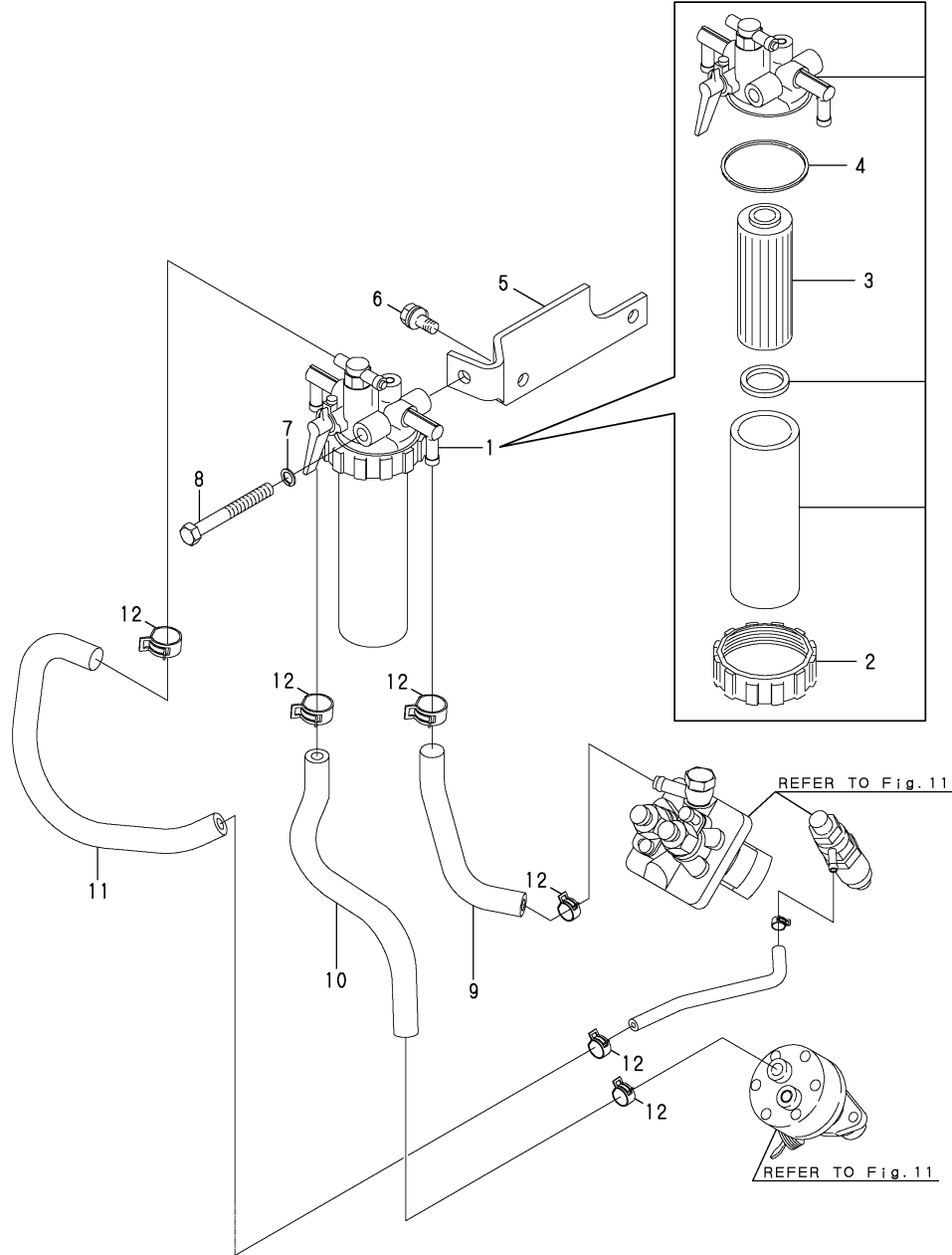


No.	Lev.	Parts No.	Description	Q'ty						I	R
				(A)	(B)	(C)	(D)	(E)	(F)		
1	1	165000-47940	INJECTION PUMP ASSY	1							
1-1	1	165000-58800	INJECTION PUMP ASSY	1							R
(A=E/#01700)											
2	1	165000-15250	SIM SET	1							
3	1	26013-060202	BOLT, SPRING M6X 20	2							
4	1	26366-060002	NUT, M6	3							
5	1	1W0251-00006	SEAL WASHER	1							
6	1	165000-47950	CONNECTOR	1							
7	1	1W0672-00078	HOSE CLIP	4							
8	1	165000-48290	HOSE	2							
9	1	165000-47980	INJECTOR ASSY	2							
10	2	165000-48220	NUT	2							
11	2	165000-48230	GASKET	2							
12	2	165000-48240	SHIM KIT	2							
13	2	165000-48250	NOZZLE ASSY	2							
14	1	26116-060252	BOLT, M6X 25 PLATED	1							
15	1	1W1991-06020	CLAMP	2							
15-1	1	165000-59800	CLAMP ASSY	2							R
(A=E/#01859)											
16	1	1W3991-11970	CLAMP	1							
17	1	165000-15830	PIPE COMPL	1							
18	1	165000-15240	GASKET	2							
19	1	165000-47990	INJECTION PIPE	1							
20	1	165000-48000	INJECTION PIPE	1							
21	1	165000-15820	EYE CPMPL	2							
22	1	165000-15200	GASKET;FEED PUMP	1							
23	1	165000-15160	FEED PUMP ASSY	1							
24	1	1W0111-40614	BOLT	1							
25	1	165000-23190	BOLT	1							
26	1	165000-15170	GASKET	4							
27	1	165000-15180	JOINT BOLT	2							
28	1	165000-47970	RETURN PIPE COMPL	1							

Fig.12. FUEL FILTER ASSY

(A)=2TE67L-FW  
(B)=  
(C)=

(D)=  
(E)=  
(F)=

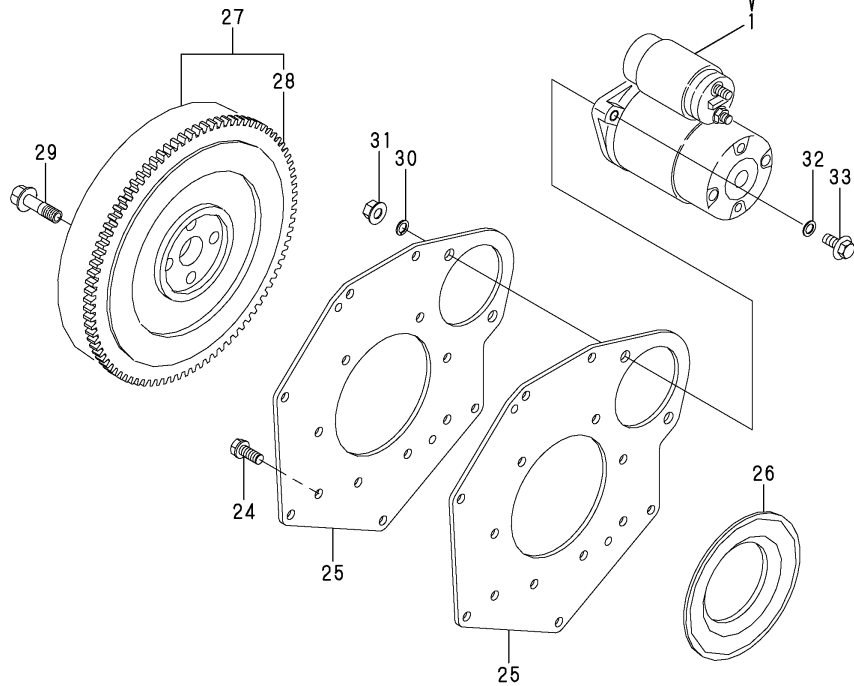
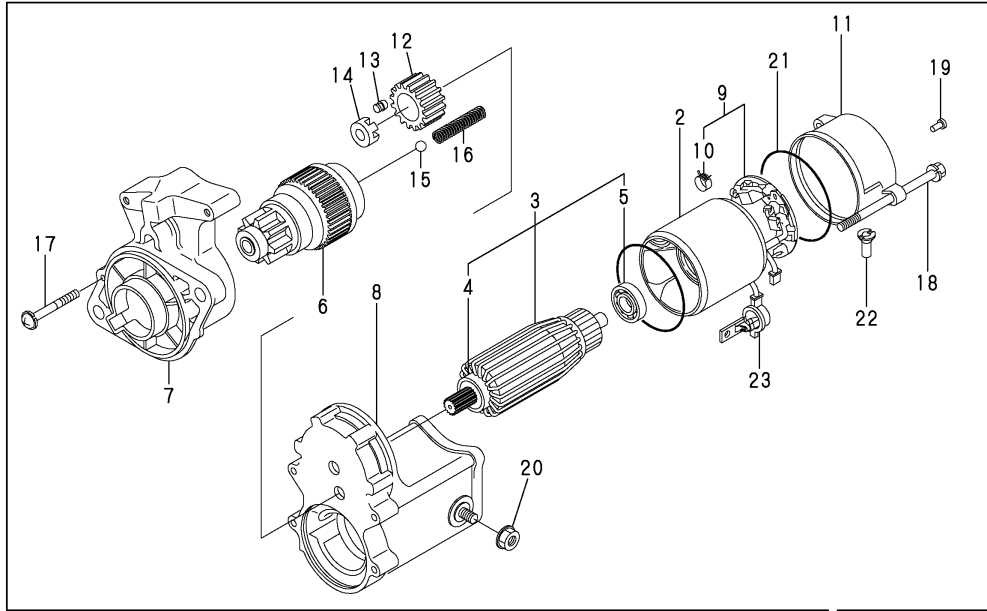


No.	Lev.	Parts No.	Description	Q'ty						I	R
				(A)	(B)	(C)	(D)	(E)	(F)		
1	1	165000-15140	FUEL FILTER ASSY	1							
2	2	165000-15150	RING NUT	1							
3	2	1W3607-20060	ELEMENT	1							
4	2	24311-000440	O-RING, 1AP44.0	1							
5	1	165000-48030	STAY;FUEL FILTER	1							
6	1	26013-080162	BOLT, SPRING M8X 16	2							
7	1	22117-080000	WASHER, 8	1							
8	1	165000-16910	BOLT	1							
9	1	165000-14530	HOSE	1							
10	1	165000-48340	HOSE	1							
11	1	165000-48330	HOSE	1							
12	1	1W0672-00130	CLIP	6							

Fig.13. STARTING MOTER & FLYWHEEL

(A)=2TE67L-FW  
(B)=  
(C)=

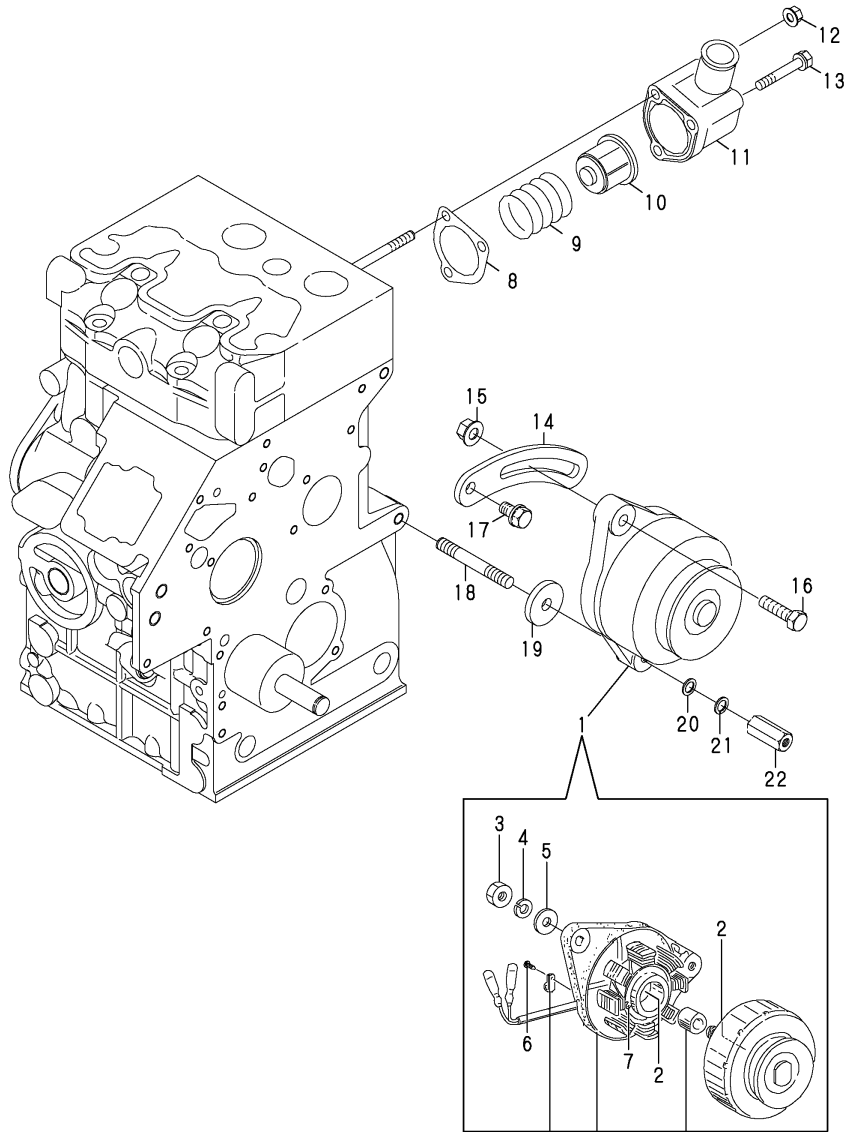
(D)=  
(E)=  
(F)=



No.	Lev.	Parts No.	Description	Q'ty						I	R
				(A)	(B)	(C)	(D)	(E)	(F)		
1	1	165000-49700	STARTING MOTOR ASSY	1							
2	2	165000-49760	YOKE ASSY	1							
3	2	165000-49770	ARMATURE	1							
4	3	165000-49780	BOLL BEARING	1							
5	3	165000-49790	BOLL BEARING	1							
6	2	165000-49800	CLUCH SUB ASSY	1							
7	2	165000-49810	HOUSING ASSY	1							
8	2	165000-49820	SWITCH ASSY	1							
9	2	165000-49830	HOLDER ASSY	1							
10	3	165000-49840	SPRING;BRUSH	4							
11	2	165000-49850	FRAME;STARTER END	1							
12	2	165000-49860	GEAR	1							
13	2	165000-49870	ROLLER;CLUCH	5							
14	2	165000-49880	RETAINER	1							
15	2	165000-49890	BALL;STEEL	1							
16	2	165000-49900	SPRING;RETURN	1							
17	2	165000-49910	BOLT	2							
18	2	165000-49920	BOLT	2							
19	2	165000-49930	SCREW	2							
20	2	165000-49940	NUT	1							
21	2	165000-49950	O-RING	2							
22	2	165000-49960	BUSHING;DRAIN	1							
23	2	165000-49970	COVER	1							
24	1	26013-080202	BOLT, SPRING M8X 20	8							
25	1	165000-49690	REAR PLATE	2							
26	2	165000-49970	COVER	1							
27	1	165000-47580	FLYWHEEL COMPL	1							
28	2	165000-14870	RING GEAR	1							
29	1	165000-23180	BOLT	4							
30	1	22217-100000	WASHER, SPRING 10	2							
31	1	26717-100002	NUT, M10	2							
32	1	22137-100000	WASHER, 10	2							
33	1	26116-100402	BOLT, M10X 40 PLATED	2							



Fig.14. ALTERNATOR



(A)=2TE67L-FW  
(B)=  
(C)=

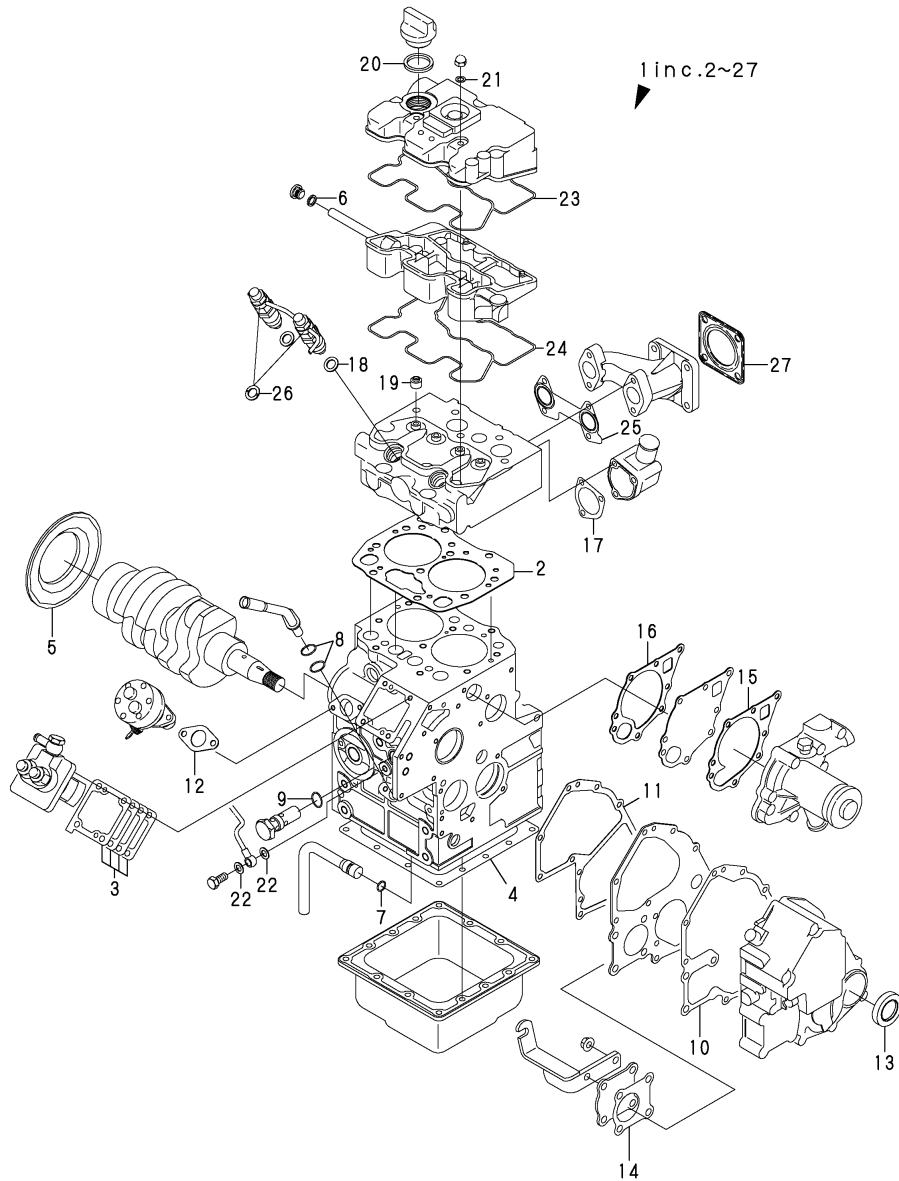
(D)=  
(E)=  
(F)=

No.	Lev.	Parts No.	Description	Q'ty						I	R
				(A)	(B)	(C)	(D)	(E)	(F)		
1	1	165000-15580	ALTERNATOR ASSY	1							1
2	2	24107-062014	BEARING, BALL 6201ZZ	2							
3	2	165000-23260	NUT	1							
4	2	22217-100000	WASHER, SPRING 10	1							
5	2	22137-100000	WASHER, 10	1							
6	2	26022-040082	SCREW, M4X 8	1							
7	2	26022-040252	SCREW, M4X25	2							
8	1	165000-15490	GASKET;THERMO CASE	1							
9	1	165000-15730	SPRING	1							
10	1	165000-15430	THERMOSTAT	1							
11	1	165000-15440	THERMOSTAT CASE	1							
12	1	26366-060002	NUT, M6	2							
13	1	26013-060502	BOLT, SPRING M6X 50	6							
14	1	165000-15650	ADJUSTING PLATE	1							
15	1	26366-080002	NUT, M8	1							
16	1	26116-080304	BOLT, M8X 30 PLATED	1							
17	1	26013-080162	BOLT, SPRING M8X 16	1							
18	1	165000-23230	STUD BOLT	1							
19	1	1W0261-09011	WASHER	1							
20	1	22137-080000	WASHER, 8	1							
21	1	22217-080000	WASHER, SPRING 8	1							
22	1	165000-14440	NUT	1							

Fig.15. GASKET SET

(A)=2TE67L-FW  
(B)=  
(C)=

(D)=  
(E)=  
(F)=



No.	Lev.	Parts No.	Description	Q'ty						I	R
				(A)	(B)	(C)	(D)	(E)	(F)		
1	1	165000-48260	GASKET SET	1							1
2	2	165000-47830	HEAD GASKET;1.3	1							
3	2	165000-15250	SIM SET	1							
4	2	165000-14670	GASKET	1							
5	2	165000-15930	OIL SEAL	1							
6	2	24311-000100	O-RING, 1AP10.0	1							
7	2	1W0521-09076	O-RING 1A P-11.0	1							
8	2	165000-14480	O-RING	2							
9	2	165000-48510	O-RING	1							
10	2	165000-15560	GASKET	1							
11	2	165000-15550	GASKET	1							
12	2	165000-15200	GASKET;FEED PUMP	1							
13	2	165000-15940	OIL SEAL	1							
14	2	165000-15570	GASKET	1							
15	2	165000-15480	GASKET;SET PLATE	1							
16	2	165000-15470	GASKET;WATER PUMP	1							
17	2	165000-15490	GASKET;THERMO CASE	1							
18	2	165000-15240	GASKET	2							
19	2	165000-15020	VALVE GUIDE SEAL	4							
20	2	24311-000280	O-RING, 1AP28.0	1							
21	2	165000-47780	GASKET;M6	2							
22	2	165000-15400	GASKET;M8	4							
23	2	165000-47700	GASKET	1							
24	2	165000-47670	GASKET	1							
25	2	165000-15300	GASKET;EX MANIFOLD	1							
26	2	165000-48230	GASKET	2							
27	2	165000-23350	GASKET	1							

Remarks  
(1)OPTIONAL

## Parts No. Index

Parts No.	Fig. No.	Ref. No.
119623-01250	1	11
165000-14410	2	9
165000-14420	2	10
165000-14430	1	4
165000-14440	14	22
165000-14450	2	16
165000-14460	2	27
165000-14470	2	23
165000-14480	9	6
	15	8
165000-14490	1	12
165000-14500	1	13
	5	3
165000-14510	5	4
165000-14520	1	14
165000-14530	12	9
165000-14670	3	9
	15	4
165000-14710	5	15
165000-14720	5	16
165000-14820	8	24
165000-14840	8	3
165000-14850	8	19
165000-14870	13	28
165000-14890	6	6
165000-14920	1	20
165000-14940	5	7
165000-14950	5	10
165000-14960	5	12
165000-14970	5	11
165000-15020	5	8
	15	19
165000-15040	6	5
165000-15050	2	3
165000-15060	2	17
165000-15070	2	22
165000-15080	2	25
165000-15090	2	29
165000-15100	6	7
165000-15110	2	6
165000-15120	2	14
165000-15130	2	35
165000-15140	12	1
165000-15150	12	2
165000-15160	11	23
165000-15170	11	26
165000-15180	11	27
165000-15200	11	22
	15	12
165000-15240	11	18

Parts No.	Fig. No.	Ref. No.
165000-15240	15	18
165000-15250	11	2
	15	3
165000-15300	5	23
	15	25
165000-15310	9	2
165000-15320	7	5
165000-15340	7	4
165000-15360	9	9
165000-15370	9	8
165000-15400	4	15
	15	22
165000-15410	10	1
165000-15420	10	3
165000-15430	14	10
165000-15440	14	11
165000-15450	10	12
165000-15460	10	11
165000-15470	10	2
	15	16
165000-15480	10	4
	15	15
165000-15490	14	8
	15	17
165000-15500	7	1
165000-15510	2	1
165000-15520	7	11
165000-15530	2	38
165000-15540	1	15
165000-15550	7	10
	15	11
165000-15560	2	11
	15	10
165000-15570	2	20
	15	14
165000-15580	14	1
165000-15600	9	1
165000-15610	4	13
165000-15640	5	21
165000-15650	14	14
165000-15670	7	7
165000-15680	2	31
165000-15690	7	2
165000-15700	5	9
165000-15730	14	9
165000-15740	2	18
165000-15750	9	5
165000-15780	1	18
165000-15790	1	17
165000-15810	4	16

Parts No.	Fig. No.	Ref. No.
165000-15820	11	21
165000-15830	11	17
165000-15840	1	19
165000-15850	1	22
165000-15860	8	25
165000-15870	8	26
165000-15880	8	23
165000-15890	8	14
165000-15900	8	15
165000-15910	8	8
165000-15920	8	9
165000-15930	15	5
165000-15940	2	12
	15	13
165000-15960	6	4
165000-15970	7	8
165000-15980	7	3
165000-16000	7	6
165000-16010	4	6
165000-16020	6	8
165000-16030	10	10
165000-16040	10	9
165000-16910	12	8
165000-23160	3	6
165000-23170	2	32
165000-23180	13	29
165000-23190	11	25
165000-23200	5	5
165000-23220	1	3
165000-23230	14	18
165000-23240	4	7
165000-23250	8	22
165000-23260	14	3
165000-23270	1	5
165000-23280	8	7
		13
165000-23290	8	2
165000-23310	1	10
165000-23340	1	16
165000-23350	15	27
165000-47460	1	1
165000-47470	3	1
165000-47480	3	3
165000-47490	3	5
165000-47500	1	21
165000-47510	9	3
165000-47520	8	1
165000-47530	8	5
165000-47540	8	11
165000-47550	8	17

Parts No.	Fig. No.	Ref. No.
165000-47560	8	18
165000-47570	8	21
165000-47580	13	27
165000-47610	4	1
165000-47620	4	2
165000-47630	4	3
165000-47640	4	4
165000-47650	4	5
165000-47660	4	9
165000-47670	4	12
	15	24
165000-47680	4	14
165000-47700	4	19
	15	23
165000-47710	4	20
165000-47720	4	21
165000-47730	4	22
165000-47760	4	26
165000-47780	4	30
	15	21
165000-47790	5	1
165000-47800	5	2
165000-47810	5	6
165000-47820	5	13
165000-47830	5	14
	15	2
165000-47840	5	17
165000-47850	5	19
165000-47860	5	24
165000-47870	5	27
165000-47880	5	28
165000-47890	6	1
165000-47940	11	1
165000-47950	11	6
165000-47970	11	28
165000-47980	11	9
165000-47990	11	19
165000-48000	11	20
165000-48030	12	5
165000-48220	11	10
165000-48230	11	11
	15	26
165000-48240	11	12
165000-48250	11	13
165000-48260	15	1
165000-48270	4	17
165000-48280	4	29
165000-48290	11	8
165000-48320	4	25
165000-48330	12	11

## Parts No. Index

Parts No.	Fig. No.	Ref. No.
165000-48340	12	10
165000-48470	2	36
165000-48510	9	10
	15	9
165000-49690	13	25
165000-49700	13	1
165000-49710	8	27
165000-49720	4	1 -1
165000-49730	5	1 -1
165000-49740	5	11 A
165000-49750	2	21
165000-49760	13	2
165000-49770	13	3
165000-49780	13	4
165000-49790	13	5
165000-49800	13	6
165000-49810	13	7
165000-49820	13	8
165000-49830	13	9
165000-49840	13	10
165000-49850	13	11
165000-49860	13	12
165000-49870	13	13
165000-49880	13	14
165000-49890	13	15
165000-49900	13	16
165000-49910	13	17
165000-49920	13	18
165000-49930	13	19
165000-49940	13	20
165000-49950	13	21
165000-49960	13	22
165000-49970	13	23
		26
165000-51560	4	24
165000-58800	11	1 -1
165000-59670	9	1 -1
165000-59800	11	15 -1
165000-73630	1	19 -1
165001-18940	8	26 -1
165001-18950	8	25 -1
165001-18960	8	9 -1
165001-18970	8	8 -1
165001-18980	1	22 -1
165002-14160	8	29
1W0101-10630	2	13
1W0104-11212	3	8
1W0111-40614	11	24
1W0113-10614	2	34 -1
	10	13

Parts No.	Fig. No.	Ref. No.
1W0113-10670	4	24 A
1W0208-00018	8	28
1W0251-00006	11	5
1W0261-09011	14	19
1W0303-00414	2	2
1W0305-00512	1	6
1W0305-00825	1	8
1W0341-00508	6	2
	8	4
1W0401-09059	6	3
1W0521-09076	3	2
	15	7
1W0645-00020	9	7
1W0672-00078	11	7
1W0672-00130	12	12
1W1991-06020	11	15
1W3607-20060	12	3
1W3984-30560	4	27
1W3991-11970	11	16
22117-080000	2	30
	12	7
22117-100000	2	5
22137-080000	14	20
22137-100000	13	32
	14	5
22190-120000	3	7
22190-160000	10	8
22217-080000	14	21
22217-100000	13	30
	14	4
22252-000190	8	20
22272-000050	2	15
22272-000060	2	26
22272-000080	2	4
		24
22272-000100	7	9
22312-060160	1	7
22351-010016	4	9 A
22372-040000	2	19
22857-400061	4	23
24101-062034	1	9
24107-062014	14	2
24311-000100	4	8
	15	6
24311-000280	4	28
	15	20
24311-000440	12	4
26013-060122	3	4
	6	10
	7	12

Parts No.	Fig. No.	Ref. No.
26013-060122	9	4
26013-060162	2	34
26013-060202	11	3
26013-060252	4	18
	5	25
26013-060352	10	5
26013-060402	2	8
26013-060502	10	7
	14	13
26013-080162	5	18
	12	6
	14	17
26013-080202	5	20
	13	24
26013-080502	8	10
26022-040082	14	6
26022-040252	14	7
26106-080450	8	6
26106-080502	8	12
26116-060252	11	14
26116-080304	14	16
26116-080552	2	7
26116-100402	13	33
26216-060202	1	2
26216-060252	5	22
26216-080202	5	26
26366-060002	2	33
	4	10
		11
	5	30
	10	6
	11	4
	14	12
26366-080002	2	37
	14	15
26367-040002	5	29
26450-060102	6	9
26450-080452	8	16
26657-060002	4	29 -1
26717-100002	13	31
26756-080002	2	28

Parts No.	Fig. No.	Ref. No.
-----------	----------	----------