

0CB10-M72701EN

Directions for the Parts Catalog.

1. This Parts Catalog shows both standard and optional parts.
2. Parts may change without prior notice.
3. The following is an example of the Parts Catalog format.

REF.	LEV.	PARTS NO.	DESCRIPTION	Q'TY						I	R
				(A)	(B)	(C)	(D)	(E)	(F)		
1	1	729595-51390	FUEL INJECTION PUMP	1	1	1	1	1			1
1-1	1	729595-51391	FUEL INJECTION PUMP	1	1	1	1	1		N	1
		(A=E00185) (B=E00200)									
3	2	26022-060162	SCREW M 6X 16	9	9	9	9	9			
3-1	2	26022-060162	SCREW M 6X 16	4	4	4	4	4		K	
		(A=E00156) (B=E00156) (C=E00156) (D=E00156) (E=E00156)									
4	2	129470-51040	CAMSHAFT	1	1	1	1	1			
5	2	122710-51050	BEARING, ROLLER	2	2	2	2	2			
6	2	129470-51060	RETAINER	1	1	1	1	1			

Remarks
(1) BOOST COMPEMSATOR TYPE. OPTIONAL PART, TO E00155,(4JH-DT, 4JH-DTZ

① Ref. No.

The Ref. No. listed may not be in accordance with the illustration Ref. No.

(Ex.) Illustration No.

List Ref No.

1

1

(Before change)

1-1

(After change)

For interchangeable symbols N, R and K, illustrations for new parts may be abbreviated.

② Lev. (Level)

Level indication

The numbers below indicate the level of relativity towards the main part.

1 ----- Main parts (Assembly parts)

2 ----- Sub component included in " 1 ".

3 ----- Sub component included in " 2 ".

Note) Parts that are not for sale are partially illustrated but not listed.

③ Interchangeability Symbol

When a part change takes place, one of the following interchangeability symbols is indicated beside the part.

Symbol	Interchangeability	Contents note
N	Old $\begin{matrix} \leftarrow \text{Yes} \\ \text{No} \rightarrow \end{matrix}$ New	New Part is interchangeable for Old Part but Old Part is not interchangeable for New Part.
Q	Old $\begin{matrix} \leftarrow \text{No} \\ \text{Yes} \rightarrow \end{matrix}$ New	New Part is not interchangeable for Old Part but Old Part is interchangeable for New Part.
R	Old $\begin{matrix} \leftarrow \text{Yes} \\ \text{Yes} \rightarrow \end{matrix}$ New	New/ Old Parts are both interchangeable.
S	Old $\begin{matrix} \leftarrow \text{No} \\ \text{No} \rightarrow \end{matrix}$ New	New/ Old Parts are both not interchangeable.
W		Part newly added.
Z		Part discontinued.
F		Not interchangeable by a single part but interchangeable together with related parts.
K		Changes only for used parts quantities.

④ Effective Machine No.

When a part changes, the effective Machine No. will be indicated in the (A)-(F) column.

Product Symbol	Product No.	Product Symbol	Product No.
C	Clutch No. Compressor No.	F	Machine No. (Agricultural Equip.)
D	Drive No.	M	Machine No.
E	Engine No.		

Note 1) A date may follow the symbol. (Ex.) 1996.01

Note 2) "XXXXX" and "ZZZZZ" are for parts that could not be predicted or for engine models that could not be identified.

Note 3) (A=E00185) is the E (Engine Serial Number) for the column (A) model (in this case 4JH-DT) after the parts design change.

⑤ Remarks

Figures or alphabets (symbols) are entered in the remarks column.

The comments (remarks) on parts that are indicated at the bottom of the illustration are the same symbols as those stated above.

Contents

0CB10-M72701

Fig. No. Fig. Name

3TNV70-WBV

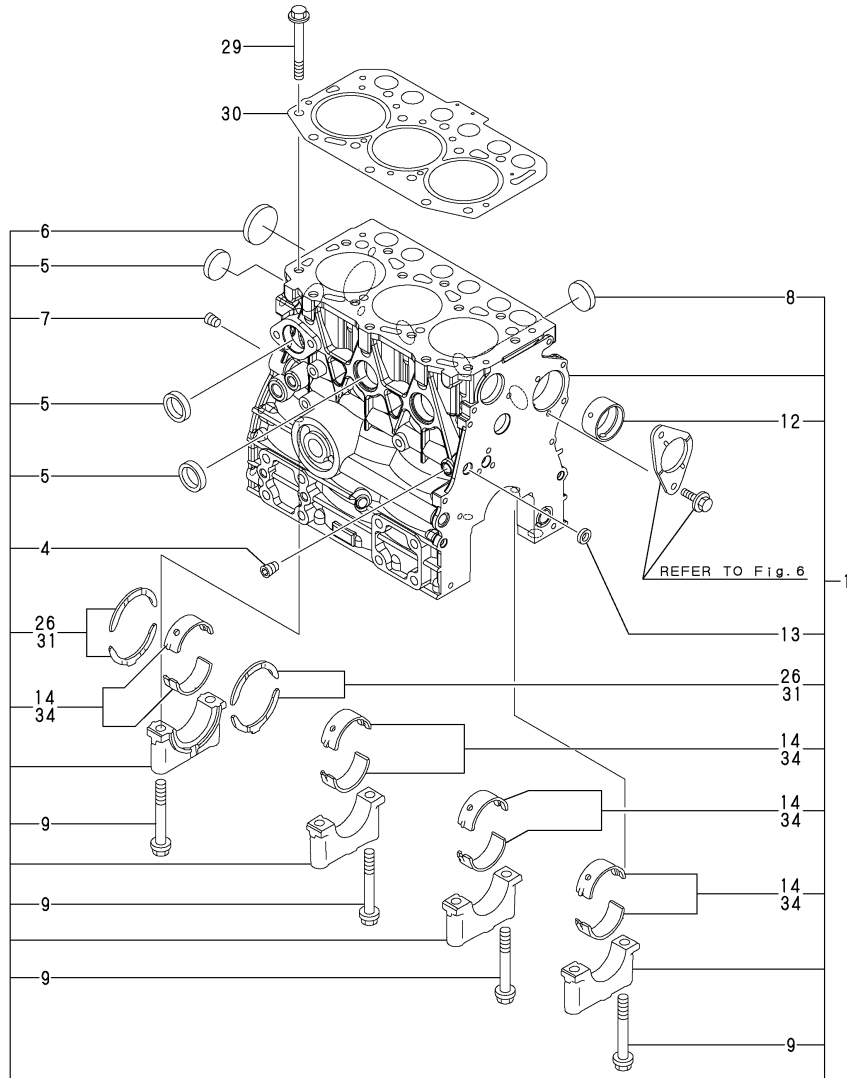
1. CYLINDER BLOCK
2. GEAR HOUSING
3. FLYWHEEL HOUSING & L.O. SUMP
4. CYLINDER HEAD & BONNET
5. EXHAUST MANIFOLD
6. CAMSHAFT & DRIVING GEAR
7. CRANKSHAFT & PISTON
8. LUB.OIL SYSTEM
9. COOLING WATER SYSTEM
10. FUEL INJECTION PUMP
11. GOVERNOR
12. FUEL INJECTION VALVE
13. STARTING MOTOR
14. GENERATOR
15. GASKET SET & TOOLS

Fig. No. Fig. Name

Fig.1. CYLINDER BLOCK

(A)=3TNV70-WBV
(B)=
(C)=

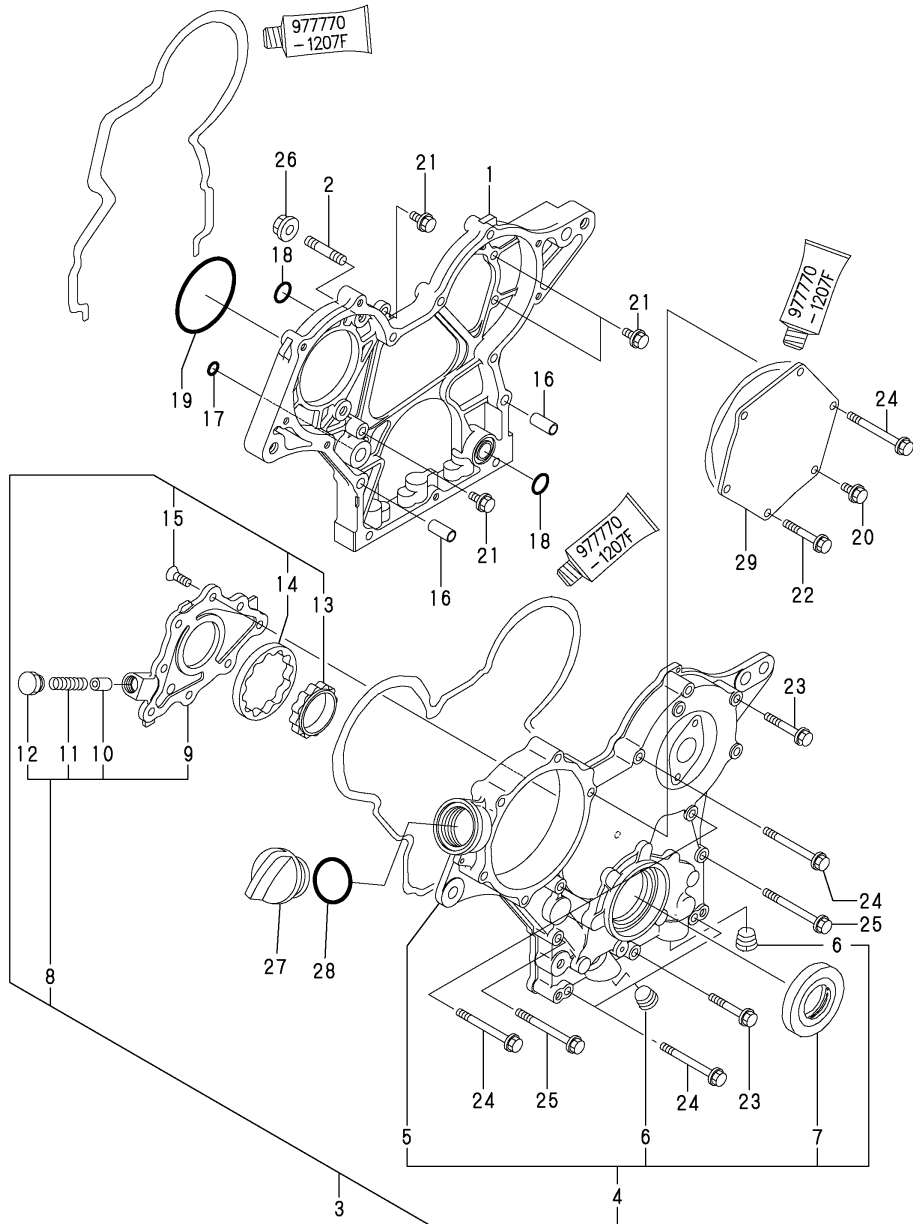
(D)=
(E)=
(F)=



No.	Lev.	Parts No.	Description	Q'ty						I	R
				(A)	(B)	(C)	(D)	(E)	(F)		
1	1	719515-01560	BLOCK ASSY, CYLINDER	1							
1-1	1	719515-01561	BLOCK ASSY, CYLINDER	1							N
(A=E/#09902)											
4	3	124060-01050	PLUG, PT1/8	1							
5	3	105311-01090	PLUG, 30	4							
6	3	119623-01250	PLUG, 45	1							
7	3	124160-01910	PLUG, PT1/4	1							
8	3	119285-01990	PLUG, 25	3							
9	3	119620-02020	BOLT, METAL CAP	8							
12	3	119717-02410	BUSH, CAMSHAFT	1							
12-1	3	119717-02411	BUSH, CAMSHAFT	1							N
(A=E/#09902)											
13	3	27241-120000	PLUG, 12	1							
14	2	719717-02900	BEARING, MAIN	4							2
14-1	2	719717-02901	BEARING, MAIN	4							N 2
(A=E/#09902)											
26	2	119717-02930	BEARING, THRUST	2							
29	1	119515-01200	BOLT, HEAD	14							
30	1	119515-01330	GASKET, HEAD	1							
31	1	119810-02940	BEARING, THRUST 0.25	2							1
31-1	1	119810-02941	BEARING, THRUST 0.25	2							N 1
(A=E/#09902)											
34	1	719717-02910	BEARING, 0.25 US	4							3
34-1	1	719717-02911	BEARING, 0.25 US	4							N 3
(A=E/#09902)											

Remarks
(1)OVER SIZED(O.S.=0.25)PART.
(2)REPAIR PART.
(3)UNDER SIZED(U.S.=0.25)PART.

Fig.2. GEAR HOUSING

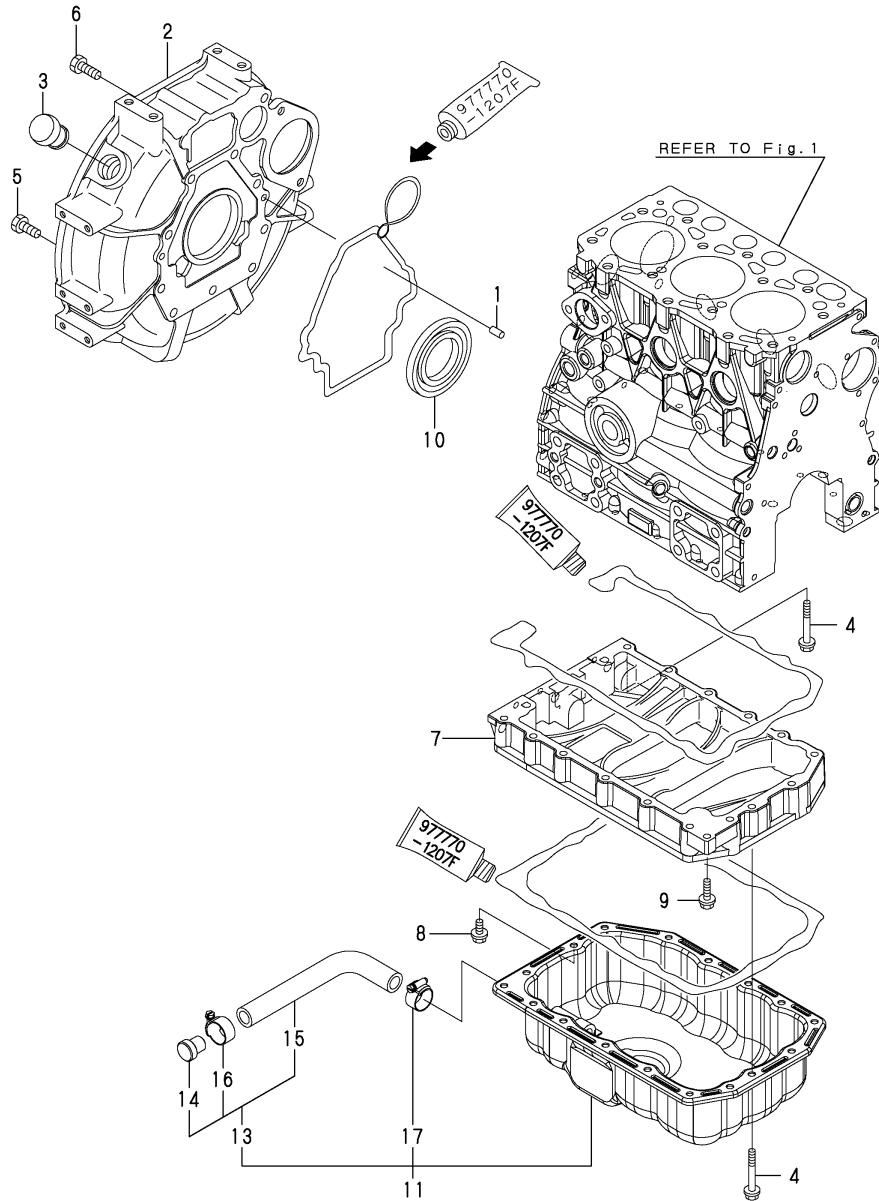


(A)=3TNV70-WBV
(B)=
(C)=

(D)=
(E)=
(F)=

No.	Lev.	Parts No.	Description	Q'ty						I	R
				(A)	(B)	(C)	(D)	(E)	(F)		
1	1	119717-01501	CASE, GEAR	1							
2	1	119717-01570	STUD	3							
3	1	119717-01590	COVER ASSY,GEAR CASE	1							
4	2	719717-01500	COVER ASSY,GEAR CASE	1							
5	3	119717-01521	COVER, GEAR CASE	1							
6	3	23876-030000	PLUG, R03	2							
7	3	119620-01800	SEAL, OIL	1							
8	2	119717-32100	COVER ASSY	1							
9	3	119717-32080	COVER	1							
10	3	129900-32130	VALVE, RELIEF	1							
11	3	129001-32320	SPRING	1							
12	3	129001-32330	PLUG	1							
13	2	119717-32110	ROTOR, INNER	1							
14	2	119717-32120	ROTOR, OUTER	1							
15	2	119802-32130	SCREW, M6X16	8							
16	1	119660-01911	PIPE, KNOCK	4							
17	1	119624-32040	O-RING, P12.0	1							
18	1	119717-32050	O-RING, P17.0	3							
19	1	121850-51960	O-RING	1							
20	1	26106-060122	BOLT, M6X 12 PLATED	1							
21	1	26106-060162	BOLT, M6X 16 PLATED	4							
22	1	26106-060402	BOLT, M6X 40 PLATED	4							
23	1	26106-060402	BOLT, M6X 40 PLATED	3							
24	1	26106-060602	BOLT, M6X 60 PLATED	7							
25	1	26106-060652	BOLT, M6X 65 PLATED	2							
26	1	26306-080002	NUT, M8	3							
27	1	124160-01751	COVER, FILLER	1							
28	1	24311-000320	O-RING, 1AP32.0	1							
29	1	119717-01750	COVER	1							

Fig.3. FLYWHEEL HOUSING & L.O. SUMP



(A)=3TNV70-WBV
(B)=
(C)=

(D)=
(E)=
(F)=

No.	Lev.	Parts No.	Description	Qty						I	R
				(A)	(B)	(C)	(D)	(E)	(F)		
1	1	129100-01580	PIN, M8X16	2							
2	1	119515-01601	HOUSING, FLYWHEEL	1							
3	1	119620-01750	CAP	1							
4	1	26106-060452	BOLT, M6X 45 PLATED	17							
5	1	26206-100252	BOLT, M10X 25 PLATED	7							
6	1	121120-01620	BOLT, M10X28	3							
7	1	119515-01720	SPACER, OIL SUMP	1							
8	1	26106-060122	BOLT, M6X 12 PLATED	1							
9	1	26106-060252	BOLT, M6X 25 PLATED	1							
10	1	124085-02220	SEAL, OIL	1							
11	1	119540-01780	SUMP ASSY, OIL	1							
13	2	119540-39910	HOSE ASSY, OIL DRAIN	1							
14	3	119656-39930	PLUG, DRAIN	1							
15	3	119540-39930	HOSE, DRAIN	1							
16	3	23001-022000	CLAMP, HOSE 22	1							
17	2	23001-022000	CLAMP, HOSE 22	1							

Fig.4. CYLINDER HEAD & BONNET

(A)=3TNV70-WBV

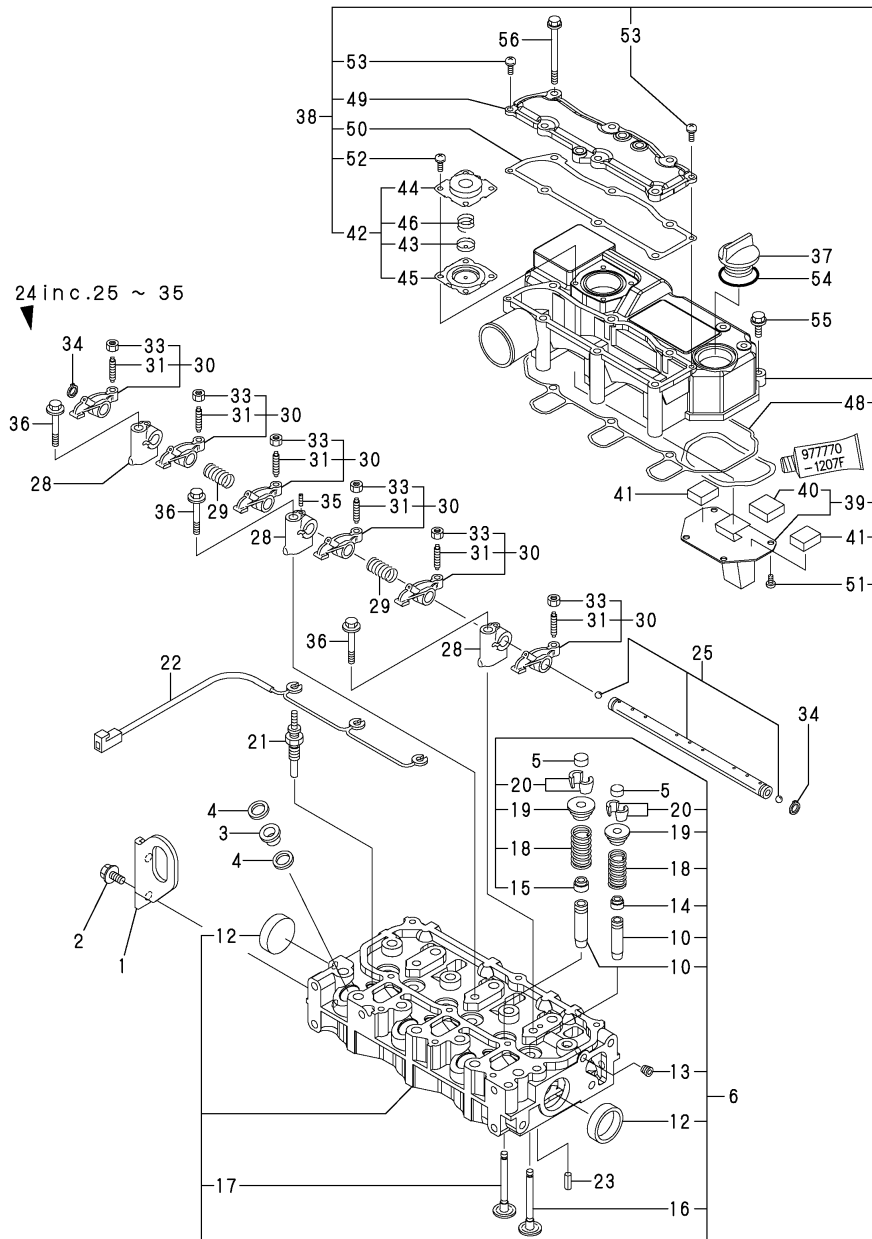
(B)=

(C)=

(D)=

(E)=

(F)=



No.	Lev.	Parts No.	Description	Q'ty						I	R
				(A)	(B)	(C)	(D)	(E)	(F)		
1	1	119718-07910	LIFTER	1							
2	1	26106-080162	BOLT, M8X 16 PLATED	2							
3	1	129901-11450	PROTECTOR, NOZZLE	3							
4	1	119600-11460	GASKET, NOZZLE	6							
5	1	105010-11490	CAP, VALVE	6							
6	1	119515-11740	HEAD ASSY, CYLINDER	1							
10	3	119515-11800	GUIDE, VALVE	6							1
12	3	119285-11990	PLUG, 35	2							
13	3	23876-005000	PLUG, R005	1							
14	2	119717-11340	SEAL, VALVE STEM	3							
15	2	119717-11350	SEAL, VALVE STEM	3							
16	2	119515-11100	VALVE, INTAKE	3							
16-1	2	119515-11101	VALVE, INTAKE	3							R
(A=E/#13410)											
17	2	119515-11110	VALVE, EXHAUST	3							
18	2	119717-11131	SPRING, VALVE	6							
19	2	129508-11180	RETAINER, SPRING	6							
20	2	119717-11190	COTTER	12							
21	1	119717-77800	PLUG, GLOW	3							
22	1	119717-77820	CONNECTOR, GLOW PLUG	1							
23	1	22351-060012	PIN, SPRING 6.0X12	2							
24	1	119515-11200	SUPPORT ASSY, ARM	1							
25	2	119515-11240	SHAFT ASSY, ROCKER	1							
28	2	119717-11260	SUPPORT, ROCKER ARM	3							
29	2	119515-11280	SPRING	2							
30	2	119717-11650	ARM, ROCKER	6							
31	3	129150-11230	SCREW, VALVE ADJUST	6							
33	3	129150-11750	NUT, M8	6							
34	2	22242-000120	RING, 12	2							
35	2	26979-050162	SCREW, M5X16	1							
36	1	26106-080402	BOLT, M8X 40 PLATED	3							
37	1	124160-01751	COVER, FILLER	1							
38	1	119515-11380	BONNET ASSY, HEAD	1							
39	2	119717-03031	PLATE	1							
40	3	119717-03070	BAFFLE, BREATHER	1							
41	2	119717-03070	BAFFLE, BREATHER	2							
42	2	119802-03100	DIAPHRAGM ASSY	1							
43	3	119802-03110	PLATE	1							
44	3	119802-03121	COVER, DIAPHRAGM	1							
45	3	119802-03131	DIAPHRAGM	1							
46	3	119802-03141	SPRING, DIAPHRAGM	1							
48	2	119515-11310	GASKET, BONNET	1							
49	2	119515-11320	COVER, BONNET	1							
50	2	119515-11330	GASKET	1							
51	2	22857-500100	SCREW, 5X10	4							
52	2	22857-500100	SCREW, 5X10	4							
53	2	22857-500160	SCREW, 5X16	2							
54	1	24311-000320	O-RING, 1AP32.0	1							
55	1	26106-060202	BOLT, M6X 20 PLATED	3							
56	1	26106-060752	BOLT, M6X 75 PLATED	6							

Remarks

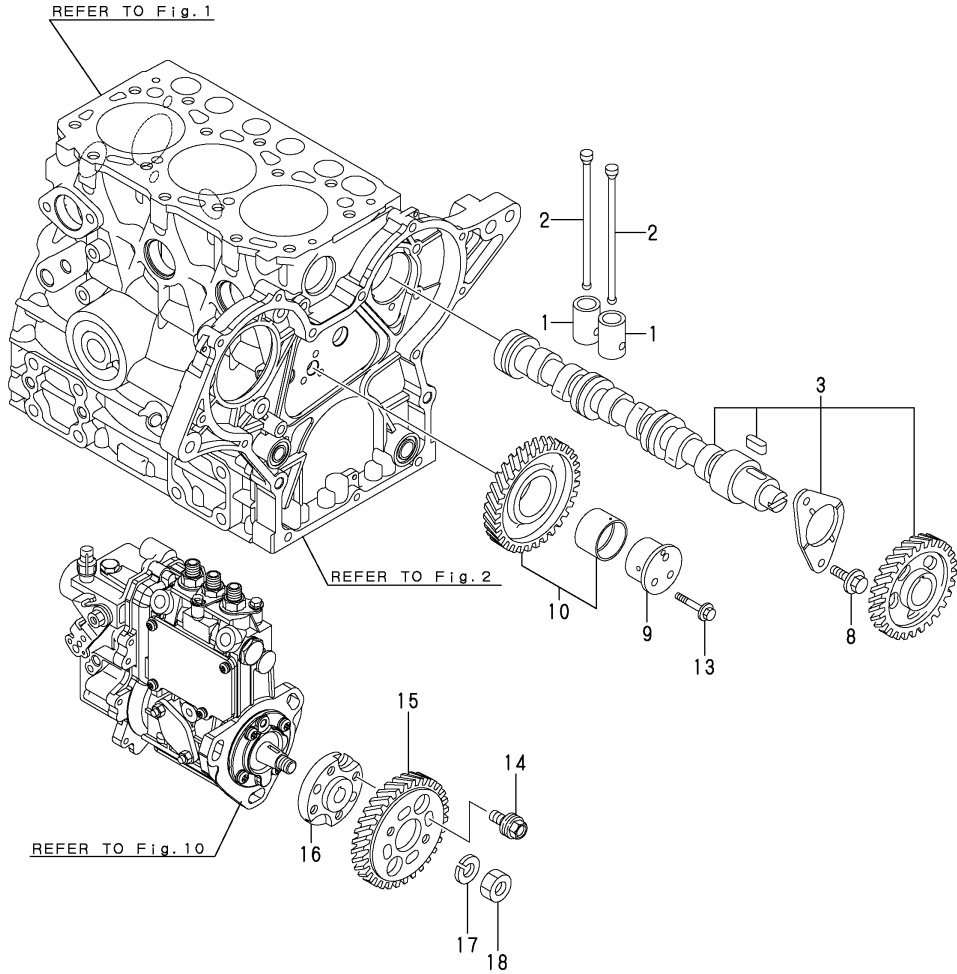
(1)REPAIR PART.

N:Old $\xrightarrow{\text{Yes}}$ New, Q:Old $\xrightarrow{\text{No}}$ New, R:Old $\xrightarrow{\text{Yes}}$ New, S:Old $\xrightarrow{\text{No}}$ New, W:Add, Z:Discontinued, F:Interchangeable by set, K:Q'ty Change

Fig.6. CAMSHAFT & DRIVING GEAR

(A)=3TNV70-WBV
(B)=
(C)=

(D)=
(E)=
(F)=



No.	Lev.	Parts No.	Description	Q'ty						I	R
				(A)	(B)	(C)	(D)	(E)	(F)		
1	1	119620-14200	TAPPET	6							
2	1	119515-14400	ROD, PUSH	6							
3	1	119515-14580	CAMSHAFT ASSY	1							
3-1	1	119515-14581 (A=E/#09902)	CAMSHAFT ASSY	1							R
8	1	26106-060122	BOLT, M6X 12 PLATED	2							
9	1	119717-25050	SHAFT, IDLE	1							
10	1	119717-25100	GEAR ASSY, IDLE	1							
10-1	1	119717-25101 (A=E/#09902)	GEAR ASSY, IDLE	1							N
13	1	26106-060352	BOLT, M6X 35 PLATED	3							
14	1	129150-25301	BOLT	4							
15	1	119717-25930	GEAR, PUMP	1							
16	1	119717-51150	FLANGE	1							
17	1	22217-120000	WASHER, SPRING 12	1							
18	1	26716-120002	NUT, M12	1							

Fig.7. CRANKSHAFT & PISTON

(A)=3TNV70-WBV

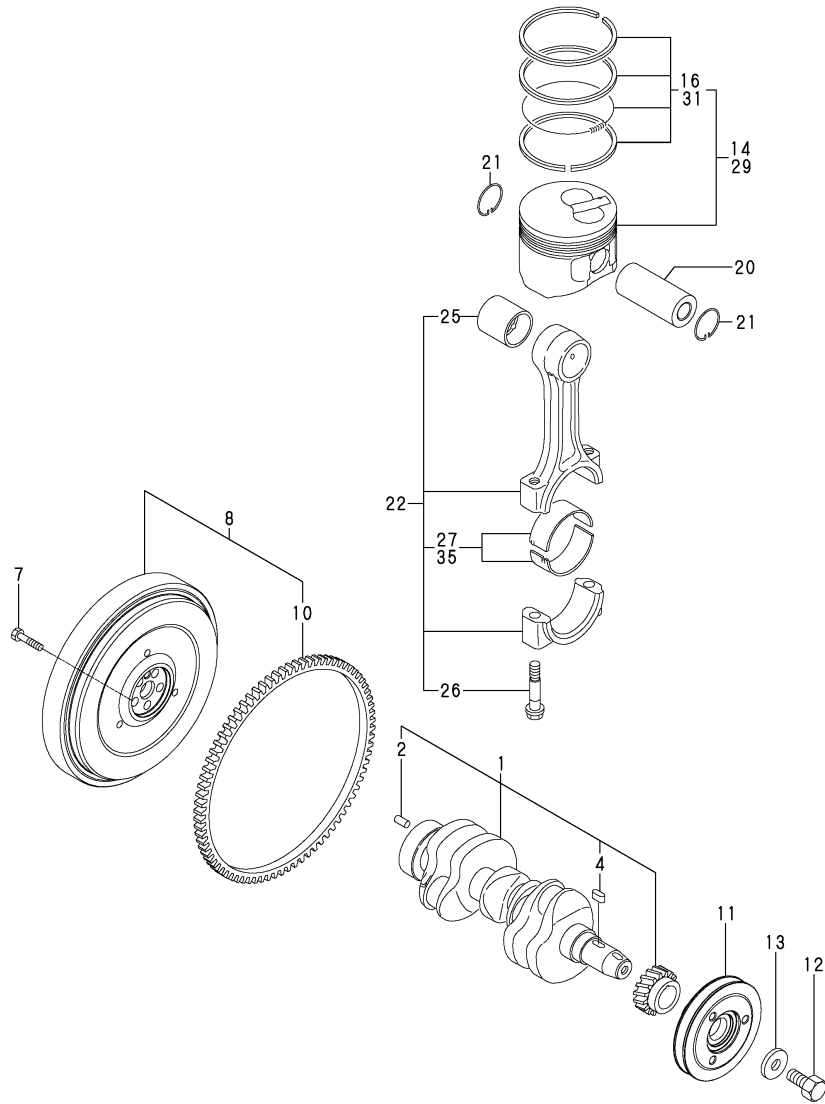
(B)=

(C)=

(D)=

(E)=

(F)=



No.	Lev.	Parts No.	Description	Q'ty						I	R
				(A)	(B)	(C)	(D)	(E)	(F)		
1	1	119515-21700	CRANKSHAFT ASSY	1							
2	2	129100-01580	PIN, M8X16	1							
4	2	22512-040120	KEY, 4X 12	1							
7	1	119620-21500	BOLT, FLYWHEEL	5							
8	1	119515-21590	FLYWHEEL ASSY	1							
10	2	124950-21600	GEAR, RING	1							
11	1	119515-21650	V-PULLEY	1							
12	1	119621-21680	BOLT, FLANGE 12X1.25	1							
13	1	119620-21941	WASHER	1							
14	1	119515-22080	PISTON ASSY	3							
16	2	119515-22500	RING SET, PISTON	3							
20	1	119515-22300	PIN, PISTON	3							
21	1	22252-000220	RING, 22	6							
22	1	119515-23000	ROD ASSY, CONNECTING	3							
25	2	119717-23910	BEARING, PISTON PIN	3							2
26	2	119717-23200	BOLT, CONNECTING ROD	6							
27	2	119515-23600	BEARING, CRANK PIN	3							2
27-1	2	119515-23601	BEARING, CRANK PIN	3							N 2
(A=E/#09902)											
29	1	119515-22900	PISTON ASSY, 0.25 OS	3							1
31	2	119515-22550	RING SET, 0.25 OS	3							1
35	1	119515-23610	METAL ASSY, 0.25	3							3
35-1	1	119515-23611	METAL ASSY, 0.25	3							N 3
(A=E/#09902)											

Remarks

(1)OVER SIZED(O.S.=0.25)PART.

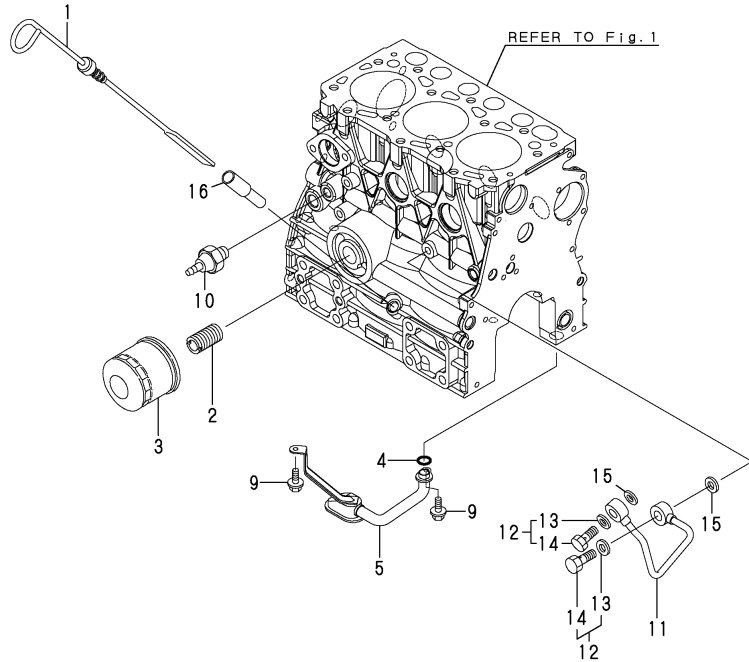
(2)REPAIR PART.

(3)UNDER SIZED(U.S.=0.25)PART.

Fig.8. LUB.OIL SYSTEM

(A)=3TNV70-WBV
(B)=
(C)=

(D)=
(E)=
(F)=

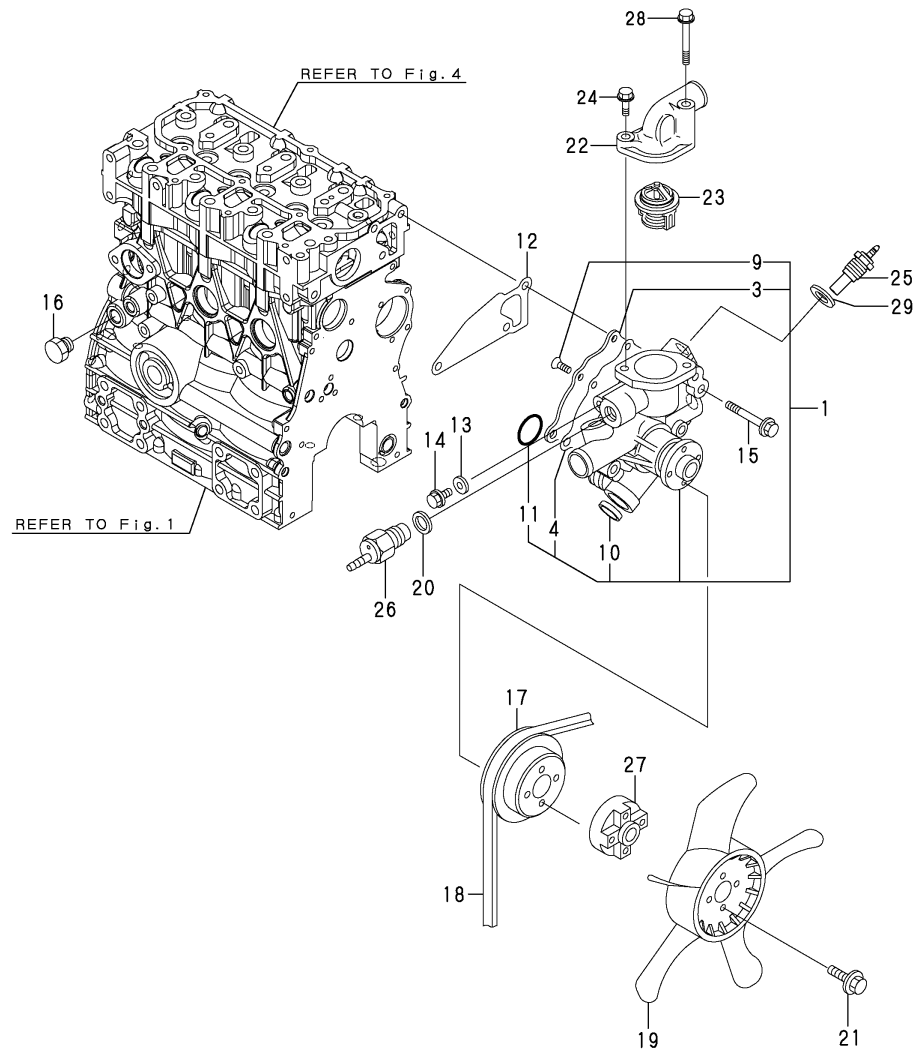


No.	Lev.	Parts No.	Description	Q'ty						I	R
				(A)	(B)	(C)	(D)	(E)	(F)		
1	1	119515-34801	DIPSTICK, OIL	1							
2	1	129100-35140	STUD	1							
3	1	119305-35170	FILTER ASSY, D68XL65	1							1
4	1	119717-32060	O-RING, P15.0	1							
5	1	119515-35080	PIPE ASSY, OIL INLET	1							
9	1	26106-060102	BOLT, M6X 10 PLATED	2							
10	1	114250-39450	SWITCH, 0.5KG	1							
11	1	119717-39210	PIPE, OIL	1							
12	1	129005-59830	BOLT ASSY, JOINT M8	2							
13	2	22190-080002	WASHER, SEAL 6	2							
14	2	23857-030000	BOLT, JOINT 3	2							
15	1	22190-080002	WASHER, SEAL 6	2							
16	1	121520-34810	GUIDE, DIPSTICK	1							

Remarks

(1)REPAIR PART.

Fig.9. COOLING WATER SYSTEM



(A)=3TNV70-WBV
(B)=
(C)=

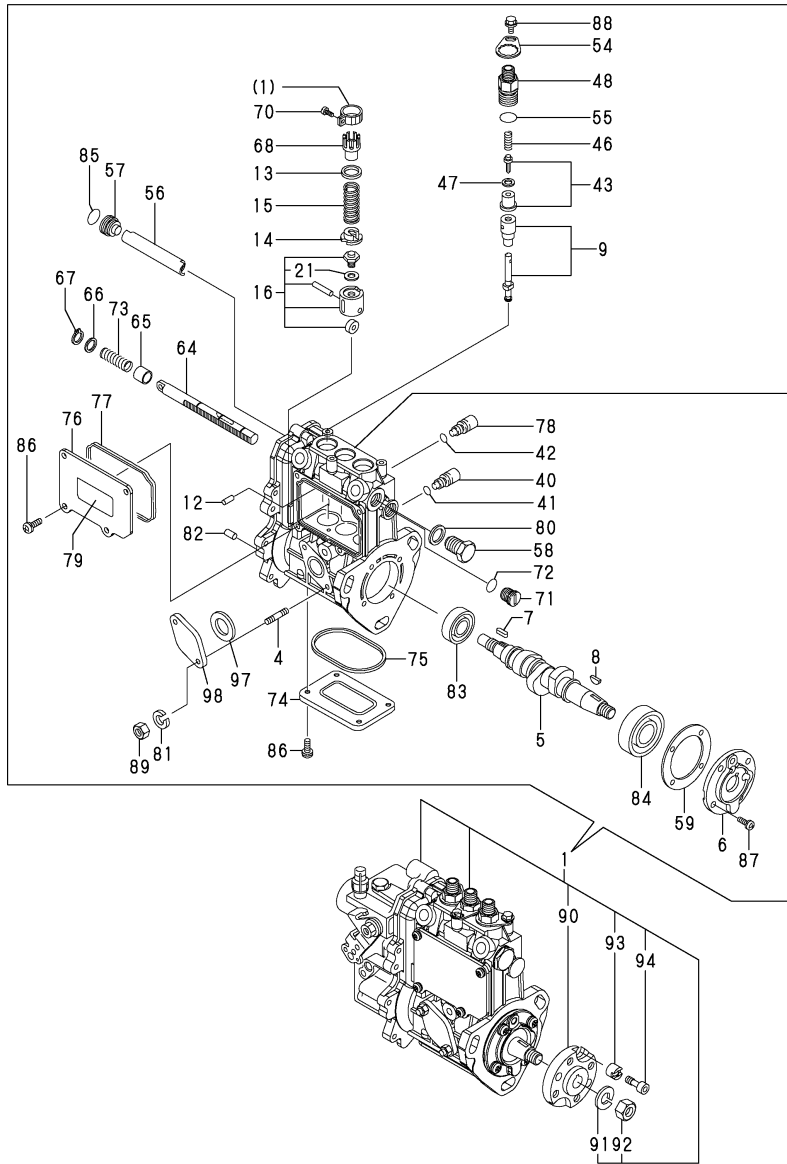
(D)=
(E)=
(F)=

No.	Lev.	Parts No.	Description	Q'ty						I	R
				(A)	(B)	(C)	(D)	(E)	(F)		
1	1	119515-42001	PUMP ASSY, WATER	1							
3	2	119515-42041	COVER	1							
4	2	119717-42031	GASKET	1							
9	2	26577-060122	SCREW, M6X12	4							
10	2	27241-250000	PLUG, 25	1							
11	2	119717-42320	O-RING, P26	1							
12	1	119515-42020	GASKET, WATER PUMP	1							
13	1	23414-080000	GASKET, 8X1.0	1							
14	1	26106-080122	BOLT, M8X 12 PLATED	1							
15	1	26106-080502	BOLT, M8X 50 PLATED	3							
16	1	171056-49120	PLUG, DRAIN	1							
17	1	119740-42350	V-PULLEY, D=90	1							
18	1	25132-003500	V-BELT, A35	1							
19	1	119233-44740	FAN, D=290XUH	1							
20	1	124465-44950	GASKET, 16	1							
21	1	26106-060302	BOLT, M6X 30 PLATED	4							
22	1	124101-49531	COVER, THERMOSTAT	1							
23	1	119717-49800	THERMOSTAT, 71	1							
24	1	26106-080252	BOLT, M8X 25 PLATED	1							
25	1	171056-49351	SENSOR	1							
26	1	121250-44901	SWITCH, 110	1							
27	1	121267-44760	SPACER	1							
28	1	26106-080652	BOLT, M8X 65 PLATED	1							
29	1	129150-49360	GASKET	1							

Fig.10. FUEL INJECTION PUMP

(A)=3TNV70-WBV
(B)=
(C)=

(D)=
(E)=
(F)=



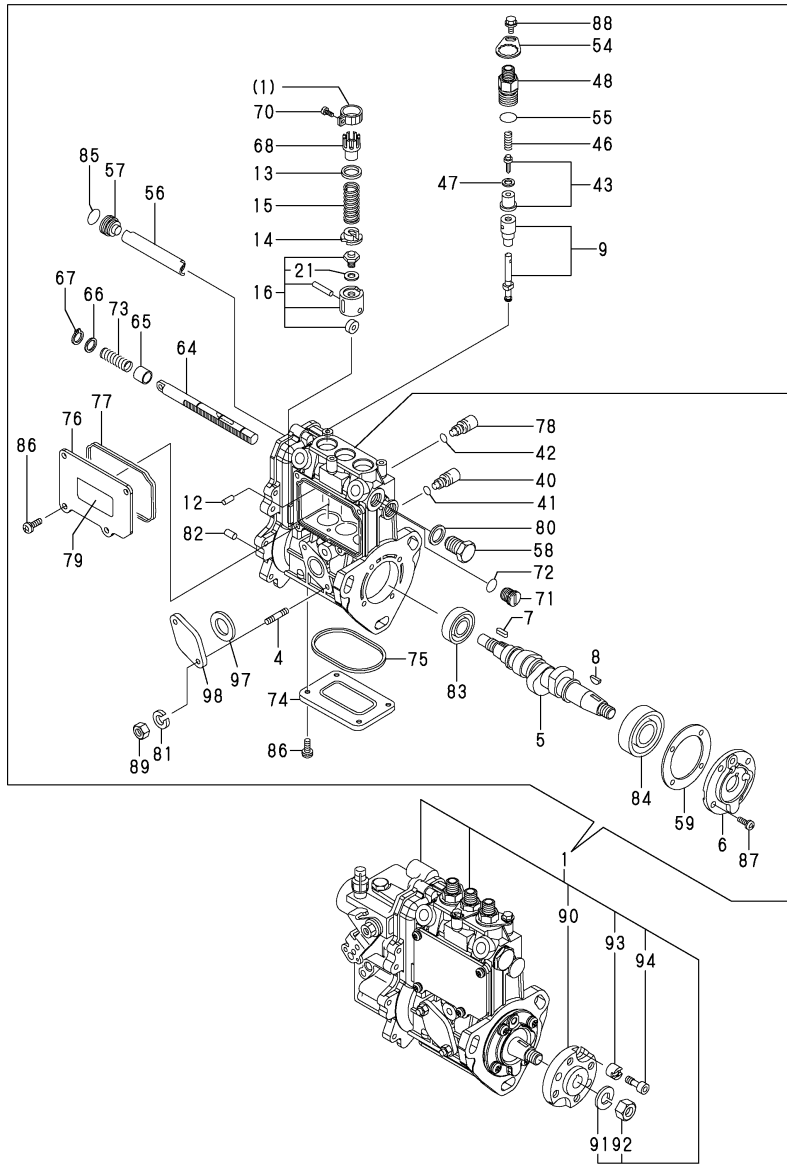
No.	Lev.	Parts No.	Description	Q'ty						I	R
				(A)	(B)	(C)	(D)	(E)	(F)		
1	1	719540-51360	PUMP ASSY, INJECTION	1							1
4	2	129155-51020	STUD	2							
5	2	119717-51030	CAMSHAFT	1							
6	2	119717-51060	SUPPORT, CAMSHAFT	1							
7	2	119717-51070	KEY	1							
8	2	122710-51090	KEY	1							
9	2	119515-51100	PLUNGER ASSY	3							
12	2	129155-51140	PIN	3							
13	2	158600-51170	RETAINER, SPRING	3							
14	2	119717-51180	RETAINER, SPRING	3							
14-1	2	119717-51570	RETAINER, SPRING	3							R
(A=E/#06293)											
15	2	119717-51190	SPRING, PLUNGER	3							
16	2	119717-51200	TAPPET ASSY	3							
21	3	129155-51600	SHIM SET, ADJUSTING	3							
40	2	158600-51270	STOPPER, TAPPET	3							
41	2	129155-51280	O-RING, S6	3							
42	2	129155-51280	O-RING, S6	1							
43	2	119717-51300	VALVE ASSY, DELIVERY	3							
46	2	119717-51330	SPRING, DELIVERY	3							
47	2	124550-51350	GASKET, DELIVERY	3							
48	2	158600-51441	VALVE ASSY, DELIVERY	3							
48-1	2	158600-51442	VALVE ASSY, DELIVERY	3							N
(A=E/#04674)											
54	2	118400-51370	LOCKING	3							
55	2	24316-000150	O-RING, 4DP15.0	3							
56	2	129155-51400	DEFLECTOR	1							
57	2	158600-51410	PLUG, DEFLECTOR	1							
58	2	158600-51420	PLUG, DEFLECTOR	1							
59	2	129155-51450	SHIM SET, ADJUSTING	1							
64	2	119717-51500	RACK, CONTROL	1							
65	2	129155-51521	BUSH, RACK	1							
66	2	129155-51530	SPACER	1							
67	2	129155-51540	CIRCLIP	1							
68	2	129155-51550	PINION, CONTROL	3							
70	2	129100-51570	SCREW	3							
71	2	158600-51570	PLUG	1							
72	2	129155-51580	O-RING	1							
73	2	129155-51591	SPRING, RACK	1							
74	2	129155-51701	COVER	1							
75	2	119717-51710	GASKET	1							
75-1	3	119717-51711	GASKET	1							N
(A=E/#09133)											
76	2	119717-51750	COVER	1							
77	2	119717-51760	GASKET	1							
77-1	3	119717-51761	GASKET	1							N
(A=E/#09133)											
78	2	158600-51790	STOOPER, RACK	1							
79	2	129156-51910	LABEL, CAUTION	1							Z
(A=E/#09133)											
80	2	22190-160002	WASHER, SEAL 16	1							

Remarks
(1)GOVERNOR ASSY(FIG.11) IS
INCORPORATED IN THIS FOP CMP
(REF NO.1).

Fig.10. FUEL INJECTION PUMP

(A)=3TNV70-WBV
(B)=
(C)=

(D)=
(E)=
(F)=



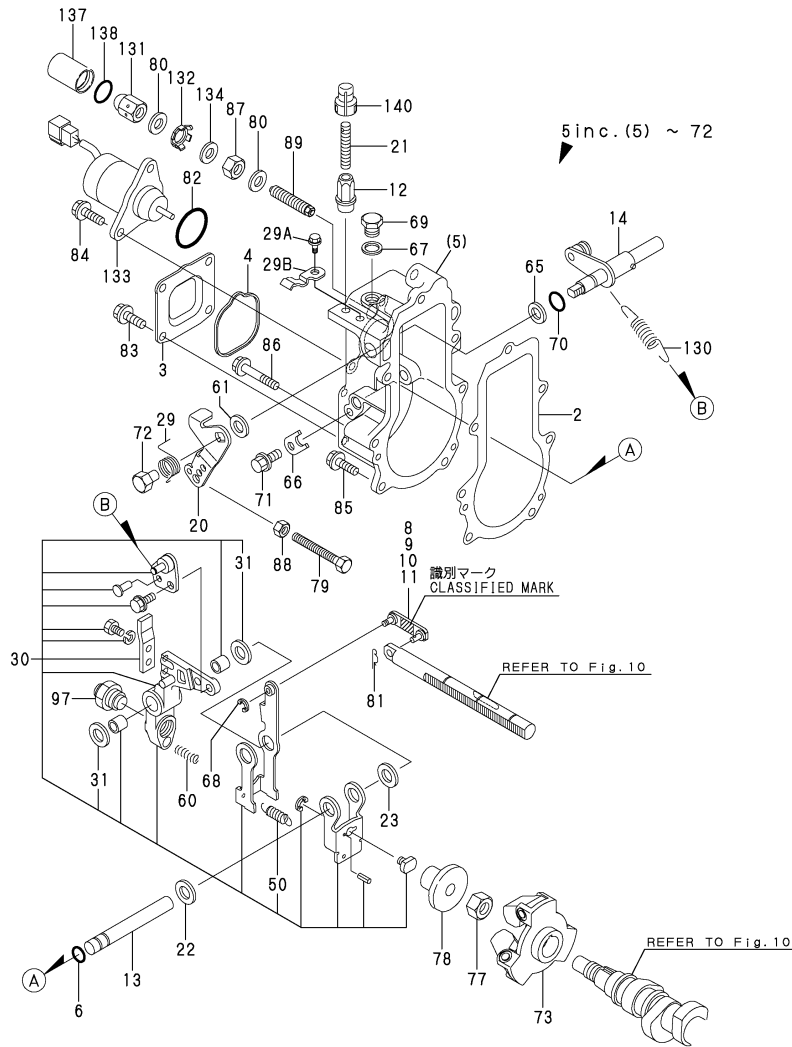
No.	Lev.	Parts No.	Description	Q'ty						I	R
				(A)	(B)	(C)	(D)	(E)	(F)		
81	2	22217-060000	WASHER, SPRING 6	2							
82	2	22351-050010	PIN, SPRING 5.0X10	2							
83	2	24101-060034	BEARING, BALL 6003	1							
84	2	24101-063034	BEARING, BALL 6303	1							
85	2	119717-51420	O-RING	1							
86	2	26022-050122	SCREW, M5X12	8							
87	2	26022-060162	SCREW, M6X16	4							
88	2	26106-050102	BOLT, M5X 10 PLATED	3							
89	2	26716-060002	NUT, M6	2							
90	2	119717-51150	FLANGE	1							
91	2	22217-120000	WASHER, SPRING 12	1							
92	2	26716-120002	NUT, M12	1							
93	2	119717-51480	COLLAR	1							
94	2	119717-51490	BOLT	1							
97	2	129155-52051	GASKET	1							
98	2	129100-52200	COVER	1							

Remarks
(1)GOVERNOR ASSY(FIG.11) IS
INCORPORATED IN THIS FOP CMP
(REF NO.1).

Fig.11. GOVERNOR

(A)=3TNV70-WBV
(B)=
(C)=

(D)=
(E)=
(F)=



No.	Lev.	Parts No.	Description	Q'ty						I	R
				(A)	(B)	(C)	(D)	(E)	(F)		
2	2	119717-61050	GASKET	1							
3	2	119717-61060	COVER, GOVERNOR CASE	1							
4	2	119717-61070	GASKET	1							
5	2	119540-61100	CASE ASSY, GOVERNOR	1							
6	3	129155-51280	O-RING, S6	1							
8	3	119717-61120	LINK, MARK :3	1							1
9	3	119717-61130	LINK, MARK 98	1							1
10	3	119717-61140	LINK, MARK 88	1							1
11	3	119717-61150	LINK, MARK 03	1							1
12	3	129209-61370	NUT, M6	1							
13	3	129052-61390	SHAFT	1							
14	3	119717-61400	SHAFT ASSY	1							
20	3	119515-61440	LEVER, CONTROL	1							
21	3	129155-61450	BOLT, LIMITER	1							
22	3	129156-61460	SHIM, T=0.6	1							
23	3	129155-61480	SPACER ASSY	1							
29	3	129255-61420	SPRING, RETURN	1							
29-1	3	119534-61420	SPRING	1							N
(A=E/#06293)											
29A	3	26106-060102	BOLT, M6X 10 PLATED	1							W
(A=E/#06293)											
29B	3	119534-61430	RETAINER	1							W
(A=E/#06293)											
30	3	119761-61500	LEVER ASSY, GOVERNOR	2							
31	4	174307-51700	SHIM SET	2							
50	4	129486-61540	SPRING, SET	1							
60	3	129486-61650	SPRING, STARTING	1							
61	3	158552-61700	SHIM SET	1							
65	3	158552-61710	SHIM, T=1.0	1							
66	3	119660-61901	RETAINER, SHAFT	1							
67	3	22190-100002	WASHER, SEAL 10	1							
68	3	22272-000030	RING, E- 3	1							
69	3	23887-100002	PLUG, 10	1							
70	3	24341-000070	O-RING, 1AS7.0	1							
71	3	26106-060102	BOLT, M6X 10 PLATED	1							
72	3	129255-61410	NUT, LOCK	1							
73	2	119717-61200	WEIGHT ASSY,GOVERNOR	1							
77	2	119660-61300	NUT	1							
78	2	129155-61341	SLEEVE	1							
79	2	129155-61460	BOLT, IDLE	1							
80	2	22190-120002	WASHER, SEAL 12	2							
81	2	22372-040000	PIN, SNAP 4	1							
82	2	24341-000280	O-RING, 1AS28.0	1							
82-1	2	158552-61900	O-RING	1							N
(A=E/XXXXX)											
83	2	26106-060102	BOLT, M6X 10 PLATED	4							
84	2	26106-060142	BOLT, M6X 14 PLATED	2							
85	2	26106-060202	BOLT, M6X 20 PLATED	4							
86	2	26106-060452	BOLT, M6X 45 PLATED	3							
87	2	26736-120002	NUT, M12	1							
88	2	26756-060002	NUT, LOCK M6	1							

Remarks
(1)SELECTION USE PARTS:CERTAIN THE CLASSIFICATION MARK, THEN PLACE YOUR ORDER.(REFER TO ILLUSTRATION)
(2)REPAIR PART.
* THIS FIGURE(GOVERNOR ASSY)IS INCORPORATED IN THE FUEL INJECTION PUMP ASSY(FIG.10).

Fig.11. GOVERNOR

(A)=3TNV70-WBV

(B)=

(C)=

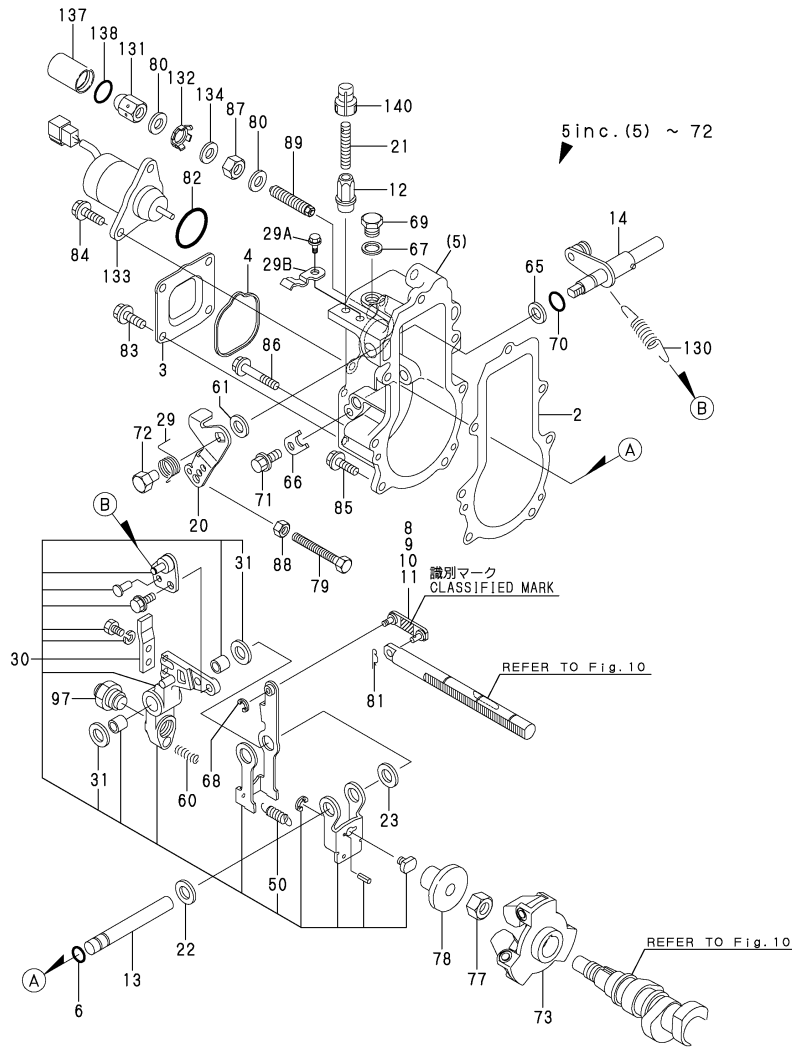
(D)=

(E)=

(F)=

Q'ty

No.	Lev.	Parts No.	Description	Q'ty						I	R
				(A)	(B)	(C)	(D)	(E)	(F)		
89	2	158601-61760	LIMITER ASSY, FUEL	1							
89-1	2	158601-61740	LIMITER ASSY, FUEL	1							N
(A=E/#03287)											
97	2	119746-61550	ANGLEICH ASSY	1							
130	2	129489-61700	SPRING, GOVERNOR	1							
131	2	129209-61930	NUT, CAP	1							
132	2	129209-61970	PLATE	1							
133	2	119233-77932	SOLENOID, STOP	1							
134	2	23414-120016	GASKET, 12X1.0	1							
137	1	129209-61960	CASE	1							2
138	1	24311-000150	O-RING, 1AP15.0	1							
140	1	119285-66650	CAP, HIGH-IDLE	1							2



Remarks

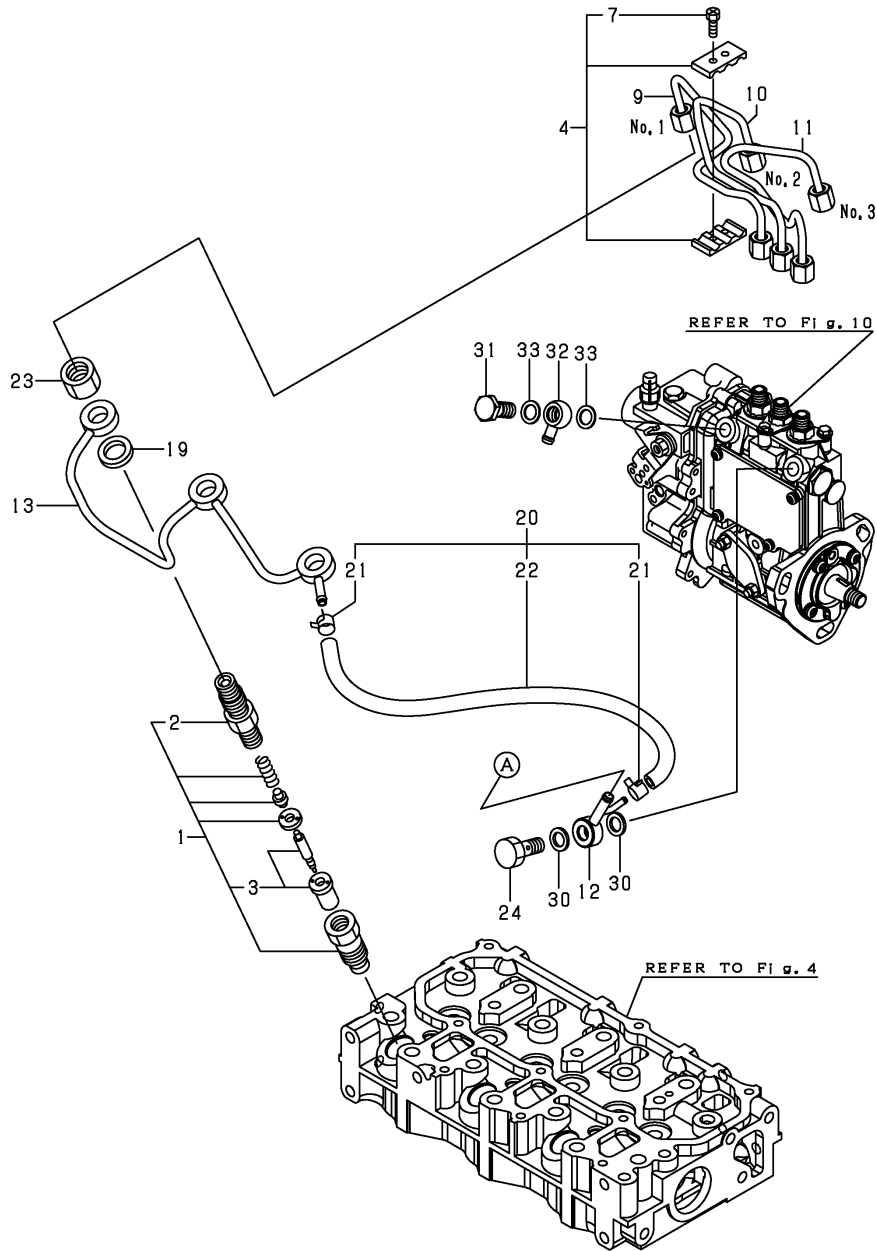
- (1) SELECTION USE PARTS: CERTAIN THE CLASSIFICATION MARK, THEN PLACE YOUR ORDER. (REFER TO ILLUSTRATION)
- (2) REPAIR PART.

* THIS FIGURE (GOVERNOR ASSY) IS INCORPORATED IN THE FUEL INJECTION PUMP ASSY (FIG.10).

Fig.12. FUEL INJECTION VALVE

(A)=3TNV70-WBV
(B)=
(C)=

(D)=
(E)=
(F)=



No.	Lev.	Parts No.	Description	Q'ty						I	R
				(A)	(B)	(C)	(D)	(E)	(F)		
1	1	119517-53001	VALVE ASSY,INJECTION	3							
2	2	118200-53010	HOLDER, NOZZLE	3							
3	2	119517-53010	NOZZLE ASSY	3							
4	1	129150-59120	RETAINER, PIPE	1							
7	2	129150-59131	BOLT, M4X14	2							
9	1	119546-59810	PIPE ASSY, INJECTION	1							
10	1	119546-59820	PIPE ASSY, INJECTION	1							
11	1	119546-59830	PIPE ASSY, INJECTION	1							
12	1	119840-59570	JOINT	1							
13	1	119515-59540	PIPE ASSY, RETURN	1							
19	1	129901-59560	GASKET	3							
20	1	119540-59570	PIPE ASSY, RETURN	1							
21	2	124066-59100	CLIP, HOSE 8	2							
22	2	119540-59560	PIPE ASSY, RETURN	1							
23	1	119620-59700	NUT, NOZZLE	3							
24	1	119813-59950	VALVE ASSY, CHECK	1							
30	1	22190-120002	WASHER, SEAL 12	2							
31	1	103854-39140	BOLT, PIPE JOINT	1							
32	1	101304-59020	JOINT, PIPE 12	1							
33	1	22190-120002	WASHER, SEAL 12	2							

Fig.13. STARTING MOTOR

(A)=3TNV70-WBV

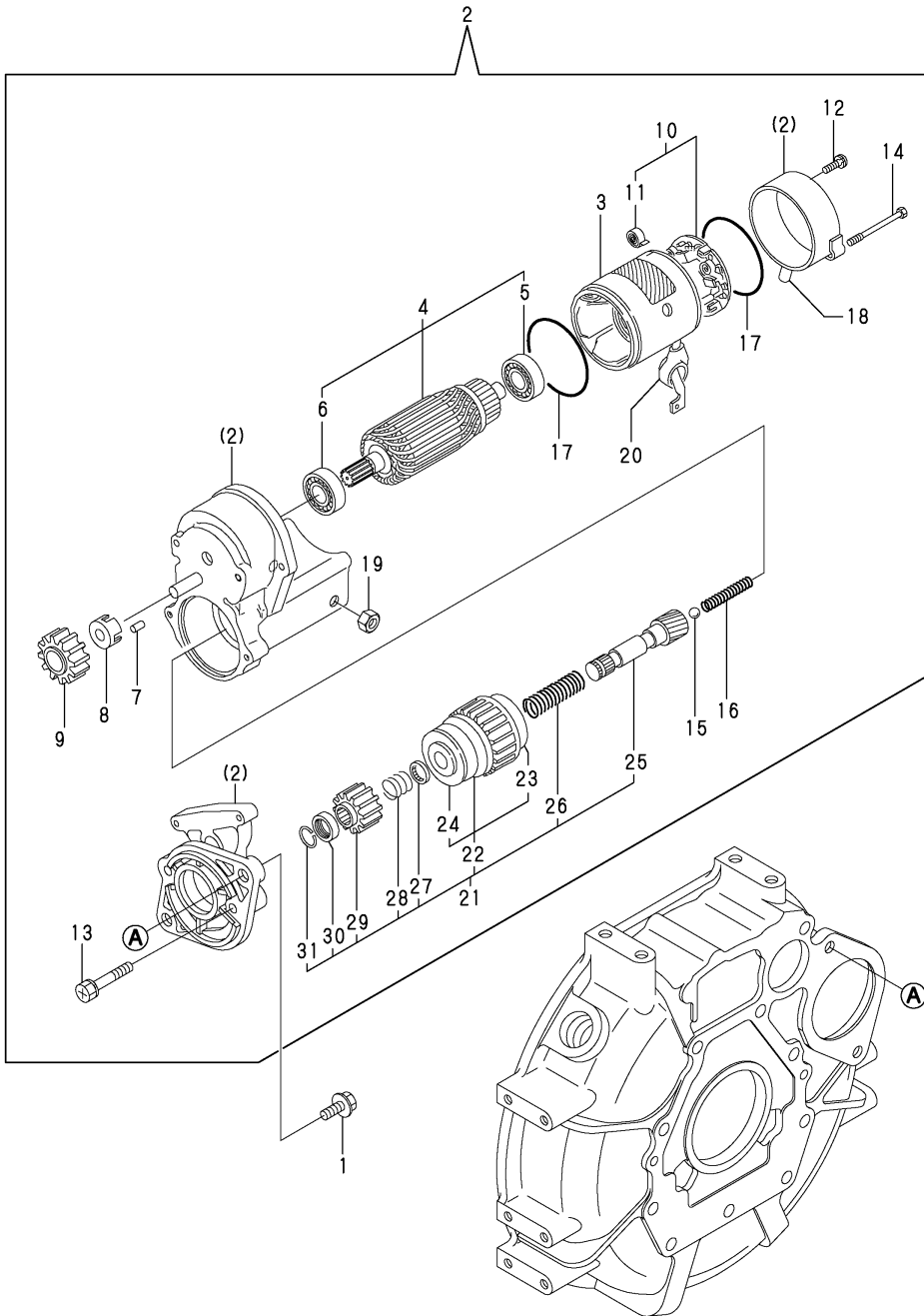
(B)=

(C)=

(D)=

(E)=

(F)=

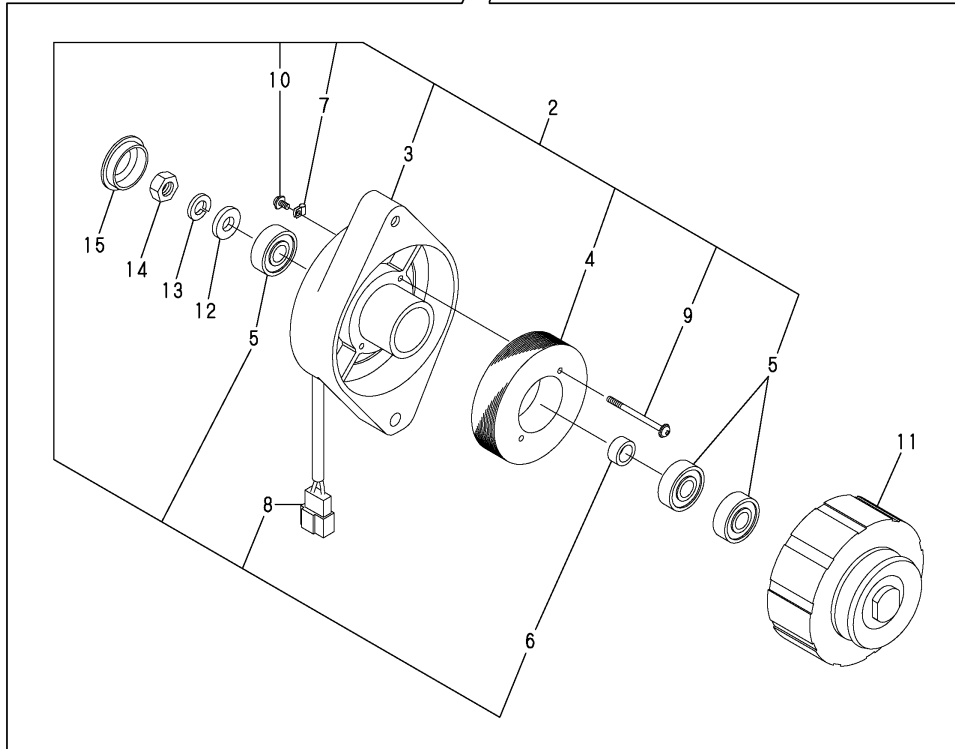
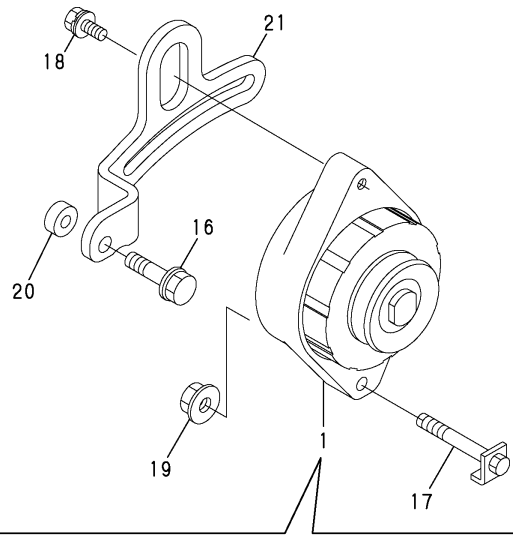


No.	Lev.	Parts No.	Description	Q'ty						I	R
				(A)	(B)	(C)	(D)	(E)	(F)		
1	1	26106-100252	BOLT, M10X 25 PLATED	2							
2	1	119540-77010	STARTER, RA1.4	1							
3	2	129407-77210	YOKE ASSY	1							
4	2	129407-77220	ARMATURE ASSY	1							
5	3	129129-77230	BEARING	1							
6	3	129129-77240	BEARING	1							
7	2	X0283060061	ROLLER	5							
8	2	129129-77260	RETAINER	1							
9	2	129129-77270	PINION	1							
10	2	129407-77300	HOLDER ASSY	1							
11	3	X9491730461	SPRING	4							
12	2	129129-77460	SCREW	2							
13	2	129129-77320	BOLT	2							
14	2	129407-77330	BOLT	2							
15	2	X9491200240	BALL	1							
16	2	129129-77340	SPRING	1							
17	2	129129-77350	O-RING	2							
18	2	129129-77362	COVER	1							
19	2	X9490561370	NUT	1							
20	2	129129-77380	CAP	1							
21	2	X1280996600	STARTER KIT	1							
22	3	129129-77390	CLUTCH ASSY	1							
23	4	129129-77440	BEARING, BALL	1							
24	4	129129-77450	BEARING, BALL	1							
25	3	129129-77400	SHAFT	1							
26	3	129129-77410	SPRING, COIL	1							
27	3	X0283270140	RETAINER	1							
28	3	129407-77410	SPRING	1							
29	3	X0283712350	PINION, STARTER	1							
30	3	X0280210230	NUT	1							
31	3	129129-77430	RING	1							

Fig.14. GENERATOR

(A)=3TNV70-WBV
(B)=
(C)=

(D)=
(E)=
(F)=

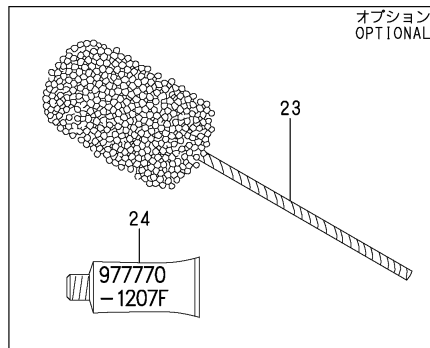
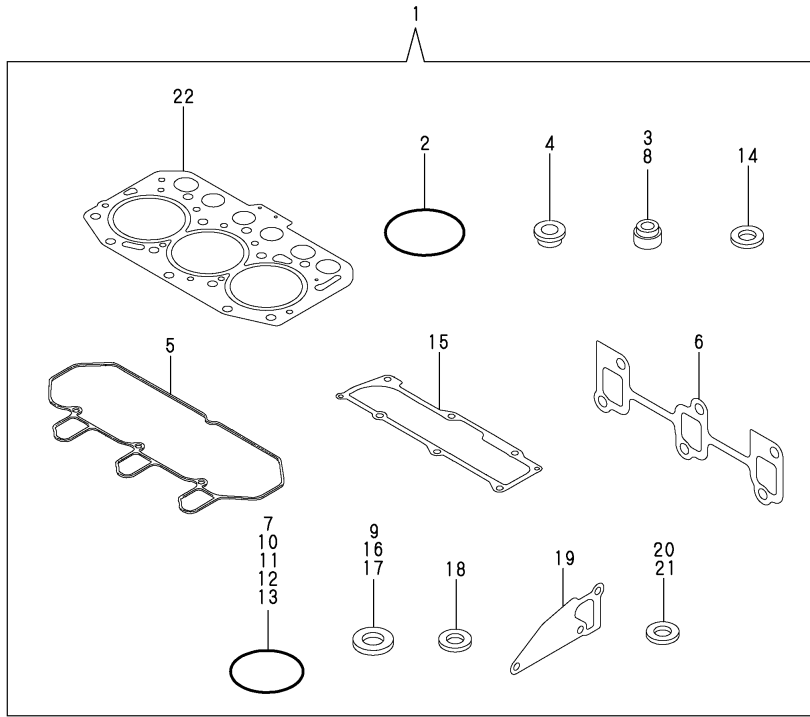


No.	Lev.	Parts No.	Description	Q'ty						I	R
				(A)	(B)	(C)	(D)	(E)	(F)		
1	1	119910-77200	DYNAMO ASSY	1							
2	2	X2A10592KA	PLATE ASSY	1							
3	3	X2A07075KB	PLATE, COIL	1							
4	3	X3A02982KC	STATOR ASSY	1							
5	3	24104-062010	BEARING, 6201UUC3	3							
6	3	X4A10092KA	COLLAR	1							
7	3	XM069000000	CLAMP	1							
8	3	XM771860000	COUPLER	1							
9	3	119259-77250	SCREW	2							
10	3	XYSPS400800	SCREW	1							
11	2	X3A08863KA	FLYWHEEL ASSY	1							
12	2	XM860250000	WASHER	1							
13	2	XM219230000	WASHER	1							
14	2	XM863720000	NUT	1							
15	2	XM771870000	CAP	1							
16	1	26106-080202	BOLT, M8X 20 PLATED	1							
17	1	119740-77250	BOLT, M10X76	1							
18	1	129972-77341	BOLT, ADJUSTER L=50	1							
19	1	26306-100002	NUT, M10	1							
20	1	119940-77270	SPACER, GENERATOR	1							
21	1	119540-77300	ADJUSTER	1							

Fig.15. GASKET SET & TOOLS

(A)=3TNV70-WBV
(B)=
(C)=

(D)=
(E)=
(F)=



No.	Lev.	Parts No.	Description	Q'ty						I	R
				(A)	(B)	(C)	(D)	(E)	(F)		
1	1	719544-92600	GASKET SET	1							1
2	2	121850-51960	O-RING	1							
3	2	119717-11340	SEAL, VALVE STEM	3							
4	2	129901-11450	PROTECTOR, NOZZLE	3							
5	2	119515-11310	GASKET, BONNET	1							
6	2	119717-13110	GASKET	1							
7	2	24341-000240	O-RING, 1AS24.0	1							
8	2	119717-11350	SEAL, VALVE STEM	3							
9	2	22190-080002	WASHER, SEAL 6	4							
10	2	24311-000320	O-RING, 1AP32.0	2							
11	2	119717-32060	O-RING, P15.0	1							
12	2	119624-32040	O-RING, P12.0	1							
13	2	119717-32050	O-RING, P17.0	3							
14	2	119600-11460	GASKET, NOZZLE	6							
15	2	119515-11330	GASKET	1							
16	2	22190-160002	WASHER, SEAL 16	1							
17	2	22190-120002	WASHER, SEAL 12	4							
18	2	129901-59560	GASKET	3							
19	2	119515-42020	GASKET, WATER PUMP	1							
20	2	23414-080000	GASKET, 8X1.0	1							
21	2	124465-44950	GASKET, 16	2							
22	2	119515-01330	GASKET, HEAD	1							
23	1	129400-92410	HONE	1							1
24	1	977770-1207F	GASKET.LIQUID	1							1

Remarks
(1)OPTIONAL

Parts No. Index

Parts No.	Fig. No.	Ref. No.
101304-59020	12	32
103854-39140	12	31
105010-11490	4	5
105311-01090	1	5
114250-39450	8	10
118200-53010	12	2
118400-51370	10	54
119131-18320	5	6
119233-44740	9	19
119233-77932	11	133
119259-77250	14	9
119285-01990	1	8
119285-11990	4	12
119285-66650	11	140
119305-35170	8	3
119515-01200	1	29
119515-01330	1	30
	15	22
119515-01601	3	2
119515-01720	3	7
119515-11100	4	16
119515-11101	4	16 -1
119515-11110	4	17
119515-11200	4	24
119515-11240	4	25
119515-11280	4	29
119515-11310	4	48
	15	5
119515-11320	4	49
119515-11330	4	50
	15	15
119515-11380	4	38
119515-11740	4	6
119515-11800	4	10
119515-14400	6	2
119515-14580	6	3
119515-14581	6	3 -1
119515-21590	7	8
119515-21650	7	11
119515-21700	7	1
119515-22080	7	14
119515-22300	7	20
119515-22500	7	16
119515-22550	7	31
119515-22900	7	29
119515-23000	7	22
119515-23600	7	27
119515-23601	7	27 -1
119515-23610	7	35
119515-23611	7	35 -1

Parts No.	Fig. No.	Ref. No.
119515-34801	8	1
119515-35080	8	5
119515-42001	9	1
119515-42020	9	12
	15	19
119515-42041	9	3
119515-51100	10	9
119515-59540	12	13
119515-61440	11	20
119517-53001	12	1
119517-53010	12	3
119534-61420	11	29 -1
119534-61430	11	29 B
119540-01780	3	11
119540-13100	5	1
119540-39910	3	13
119540-39930	3	15
119540-59560	12	22
119540-59570	12	20
119540-61100	11	5
119540-77010	13	2
119540-77300	14	21
119546-59810	12	9
119546-59820	12	10
119546-59830	12	11
119600-11460	4	4
	15	14
119620-01750	3	3
119620-01800	2	7
119620-02020	1	9
119620-14200	6	1
119620-21500	7	7
119620-21941	7	13
119620-59700	12	23
119621-21680	7	12
119623-01250	1	6
119624-32040	2	17
	15	12
119656-39930	3	14
119660-01911	2	16
119660-61300	11	77
119660-61901	11	66
119717-01501	2	1
119717-01521	2	5
119717-01570	2	2
119717-01590	2	3
119717-01750	2	29
119717-02410	1	12
119717-02411	1	12 -1
119717-02930	1	26

Parts No.	Fig. No.	Ref. No.
119717-03031	4	39
119717-03070	4	40
		41
119717-11131	4	18
119717-11190	4	20
119717-11260	4	28
119717-11340	4	14
	15	3
119717-11350	4	15
	15	8
119717-11650	4	30
119717-13110	5	2
	15	6
119717-13600	5	4
119717-23200	7	26
119717-23910	7	25
119717-25050	6	9
119717-25100	6	10
119717-25101	6	10 -1
119717-25930	6	15
119717-32050	2	18
	15	13
119717-32060	8	4
	15	11
119717-32080	2	9
119717-32100	2	8
119717-32110	2	13
119717-32120	2	14
119717-39210	8	11
119717-42031	9	4
119717-42320	9	11
119717-49800	9	23
119717-51030	10	5
119717-51060	10	6
119717-51070	10	7
119717-51150	6	16
	10	90
119717-51180	10	14
119717-51190	10	15
119717-51200	10	16
119717-51300	10	43
119717-51330	10	46
119717-51420	10	85
119717-51480	10	93
119717-51490	10	94
119717-51500	10	64
119717-51570	10	14 -1
119717-51710	10	75
119717-51711	10	75 -1
119717-51750	10	76

Parts No.	Fig. No.	Ref. No.
119717-51760	10	77
119717-51761	10	77 -1
119717-61050	11	2
119717-61060	11	3
119717-61070	11	4
119717-61120	11	8
119717-61130	11	9
119717-61140	11	10
119717-61150	11	11
119717-61200	11	73
119717-61400	11	14
119717-77800	4	21
119717-77820	4	22
119718-07910	4	1
119740-42350	9	17
119740-77250	14	17
119746-61550	11	97
119761-61500	11	30
119802-03100	4	42
119802-03110	4	43
119802-03121	4	44
119802-03131	4	45
119802-03141	4	46
119802-13620	5	5
119802-32130	2	15
119810-02940	1	31
119810-02941	1	31 -1
119813-59950	12	24
119840-59570	12	12
119910-77200	14	1
119940-77270	14	20
121120-01620	3	6
121250-44901	9	26
121267-44760	9	27
121520-34810	8	16
121850-51960	2	19
	15	2
122710-51090	10	8
124060-01050	1	4
124066-59100	12	21
124085-02220	3	10
124101-49531	9	22
124160-01751	2	27
	4	37
124160-01910	1	7
124465-44950	9	20
	15	21
124550-51350	10	47
124950-21600	7	10
129001-32320	2	11

Parts No. Index

Parts No.	Fig. No.	Ref. No.
129001-32330	2	12
129005-59830	8	12
129052-61390	11	13
129100-01580	3	1
	7	2
129100-35140	8	2
129100-51570	10	70
129100-52200	10	98
129129-77230	13	5
129129-77240	13	6
129129-77260	13	8
129129-77270	13	9
129129-77320	13	13
129129-77340	13	16
129129-77350	13	17
129129-77362	13	18
129129-77380	13	20
129129-77390	13	22
129129-77400	13	25
129129-77410	13	26
129129-77430	13	31
129129-77440	13	23
129129-77450	13	24
129129-77460	13	12
129150-11230	4	31
129150-11750	4	33
129150-25301	6	14
129150-49360	9	29
129150-59120	12	4
129150-59131	12	7
129155-51020	10	4
129155-51140	10	12
129155-51280	10	41
		42
	11	6
129155-51400	10	56
129155-51450	10	59
129155-51521	10	65
129155-51530	10	66
129155-51540	10	67
129155-51550	10	68
129155-51580	10	72
129155-51591	10	73
129155-51600	10	21
129155-51701	10	74
129155-52051	10	97
129155-61341	11	78
129155-61450	11	21
129155-61460	11	79
129155-61480	11	23

Parts No.	Fig. No.	Ref. No.
129156-51910	10	79
129156-61460	11	22
129209-61370	11	12
129209-61930	11	131
129209-61960	11	137
129209-61970	11	132
129255-61410	11	72
129255-61420	11	29
129400-92410	15	23
129407-77210	13	3
129407-77220	13	4
129407-77300	13	10
129407-77330	13	14
129407-77410	13	28
129486-61540	11	50
129486-61650	11	60
129489-61700	11	130
129508-11180	4	19
129900-32130	2	10
129901-11450	4	3
	15	4
129901-59560	12	19
	15	18
129972-77341	14	18
158552-61700	11	61
158552-61710	11	65
158552-61900	11	82 -1
158600-51170	10	13
158600-51270	10	40
158600-51410	10	57
158600-51420	10	58
158600-51441	10	48
158600-51442	10	48 -1
158600-51570	10	71
158600-51790	10	78
158601-61740	11	89 -1
158601-61760	11	89
171056-49120	9	16
171056-49351	9	25
174307-51700	11	31
22190-080002	8	13
		15
	15	9
22190-100002	11	67
22190-120002	11	80
	12	30
		33
	15	17
22190-160002	10	80
	15	16

Parts No.	Fig. No.	Ref. No.
22217-060000	10	81
22217-120000	6	17
	10	91
22242-000120	4	34
22252-000220	7	21
22272-000030	11	68
22351-050010	10	82
22351-060012	4	23
22372-040000	11	81
22512-040120	7	4
22857-500100	4	51
		52
22857-500160	4	53
23001-022000	3	16
		17
23414-080000	9	13
	15	20
23414-120016	11	134
23857-030000	8	14
23876-005000	4	13
23876-030000	2	6
23887-100002	11	69
24101-060034	10	83
24101-063034	10	84
24104-062010	14	5
24311-000150	11	138
24311-000320	2	28
	4	54
	15	10
24316-000150	10	55
24341-000070	11	70
24341-000240	15	7
24341-000280	11	82
25132-003500	9	18
26022-050122	10	86
26022-060162	10	87
26106-050102	10	88
26106-060102	8	9
	11	29 A
		71
		83
26106-060122	2	20
	3	8
	6	8
26106-060142	11	84
26106-060162	2	21
26106-060202	4	55
	11	85
26106-060252	3	9
26106-060302	9	21

Parts No.	Fig. No.	Ref. No.
26106-060352	6	13
26106-060402	2	22
		23
26106-060452	3	4
	11	86
26106-060602	2	24
26106-060652	2	25
26106-060752	4	56
26106-080122	9	14
26106-080162	4	2
26106-080202	14	16
26106-080252	9	24
26106-080402	4	36
26106-080502	9	15
26106-080652	9	28
26106-100252	13	1
26206-100252	3	5
26306-080002	2	26
	5	3
26306-100002	14	19
26577-060122	9	9
26716-060002	10	89
26716-120002	6	18
	10	92
26736-120002	11	87
26756-060002	11	88
26979-050162	4	35
27241-120000	1	13
27241-250000	9	10
719515-01560	1	1
719515-01561	1	1 -1
719540-51360	10	1
719544-92600	15	1
719717-01500	2	4
719717-02900	1	14
719717-02901	1	14 -1
719717-02910	1	34
719717-02911	1	34 -1
977770-1207F	15	24
X0280210230	13	30
X0283060061	13	7
X0283270140	13	27
X0283712350	13	29
X1280996600	13	21
X2A07075KB	14	3
X2A10592KA	14	2
X3A02982KC	14	4
X3A08863KA	14	11
X4A10092KA	14	6
X9490561370	13	19

Parts No. Index

Parts No.	Fig. No.	Ref. No.
X9491200240	13	15
X9491730461	13	11
XM069000000	14	7
XM219230000	14	13
XM771860000	14	8
XM771870000	14	15
XM860250000	14	12
XM863720000	14	14
XYSPS400800	14	10

Parts No.	Fig. No.	Ref. No.
-----------	----------	----------

Parts No.	Fig. No.	Ref. No.
-----------	----------	----------

Parts No.	Fig. No.	Ref. No.
-----------	----------	----------