

0CB10-M72001EN

Directions for the Parts Catalog.

1. This Parts Catalog shows both standard and optional parts.
2. Parts may change without prior notice.
3. The following is an example of the Parts Catalog format.

| REF. | LEV. | PARTS NO. | DESCRIPTION | Q'TY | | | | | | I | R |
|------|------|--|---------------------|------|-----|-----|-----|-----|-----|---|---|
| | | | | (A) | (B) | (C) | (D) | (E) | (F) | | |
| 1 | 1 | 729595-51390 | FUEL INJECTION PUMP | 1 | 1 | 1 | 1 | 1 | | | 1 |
| 1-1 | 1 | 729595-51391 | FUEL INJECTION PUMP | 1 | 1 | 1 | 1 | 1 | | N | 1 |
| | | (A=E00185) (B=E00200) | | | | | | | | | |
| 3 | 2 | 26022-060162 | SCREW M 6X 16 | 9 | 9 | 9 | 9 | 9 | | | |
| 3-1 | 2 | 26022-060162 | SCREW M 6X 16 | 4 | 4 | 4 | 4 | 4 | | K | |
| | | (A=E00156) (B=E00156) (C=E00156) (D=E00156) (E=E00156) | | | | | | | | | |
| 4 | 2 | 129470-51040 | CAMSHAFT | 1 | 1 | 1 | 1 | 1 | | | |
| 5 | 2 | 122710-51050 | BEARING, ROLLER | 2 | 2 | 2 | 2 | 2 | | | |
| 6 | 2 | 129470-51060 | RETAINER | 1 | 1 | 1 | 1 | 1 | | | |

| |
|---|
| Remarks |
| (1) BOOST COMPEMSATOR TYPE. OPTIONAL PART, TO E00155,(4JH-DT, 4JH-DTZ |

① Ref. No.

The Ref. No. listed may not be in accordance with the illustration Ref. No.

(Ex.) Illustration No.

List Ref No.

1

1

(Before change)

1-1

(After change)

For interchangeable symbols N, R and K, illustrations for new parts may be abbreviated.

② Lev. (Level)

Level indication

The numbers below indicate the level of relativity towards the main part.

1 ----- Main parts (Assembly parts)

2 ----- Sub component included in " 1 ".

3 ----- Sub component included in " 2 ".

Note) Parts that are not for sale are partially illustrated but not listed.

③ Interchangeability Symbol

When a part change takes place, one of the following interchangeability symbols is indicated beside the part.

| Symbol | Interchangeability | Contents note |
|--------|---|--|
| N | Old $\begin{matrix} \leftarrow \text{Yes} \\ \text{No} \rightarrow \end{matrix}$ New | New Part is interchangeable for Old Part but Old Part is not interchangeable for New Part. |
| Q | Old $\begin{matrix} \leftarrow \text{No} \\ \text{Yes} \rightarrow \end{matrix}$ New | New Part is not interchangeable for Old Part but Old Part is interchangeable for New Part. |
| R | Old $\begin{matrix} \leftarrow \text{Yes} \\ \text{Yes} \rightarrow \end{matrix}$ New | New/ Old Parts are both interchangeable. |
| S | Old $\begin{matrix} \leftarrow \text{No} \\ \text{No} \rightarrow \end{matrix}$ New | New/ Old Parts are both not interchangeable. |
| W | | Part newly added. |
| Z | | Part discontinued. |
| F | | Not interchangeable by a single part but interchangeable together with related parts. |
| K | | Changes only for used parts quantities. |

④ Effective Machine No.

When a part changes, the effective Machine No. will be indicated in the (A)-(F) column.

| Product Symbol | Product No. | Product Symbol | Product No. |
|----------------|---------------------------|----------------|-----------------------------------|
| C | Clutch No. Compressor No. | F | Machine No. (Agricultural Equip.) |
| D | Drive No. | M | Machine No. |
| E | Engine No. | | |

Note 1) A date may follow the symbol. (Ex.) 1996.01

Note 2) "XXXXX" and "ZZZZZ" are for parts that could not be predicted or for engine models that could not be identified.

Note 3) (A=E00185) is the E (Engine Serial Number) for the column (A) model (in this case 4JH-DT) after the parts design change.

⑤ Remarks

Figures or alphabets (symbols) are entered in the remarks column.

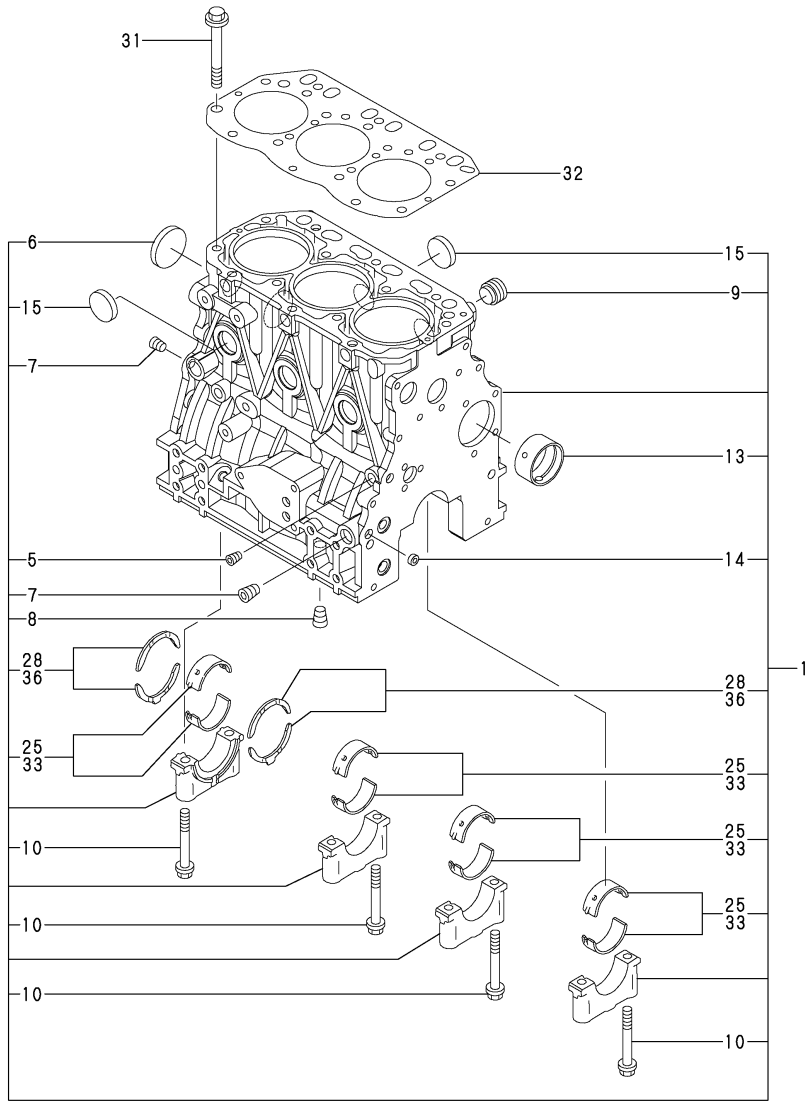
The comments (remarks) on parts that are indicated at the bottom of the illustration are the same symbols as those stated above.

Contents

0CB10-M72001

| Fig. No. | Fig. Name | Fig. No. | Fig. Name |
|-------------------|-----------------------------|----------|-----------|
| ENGINE 3TNV88-XBV | | | |
| 1. | CYLINDER BLOCK | | |
| 2. | GEAR HOUSING | | |
| 3. | FLYWHEEL HOUSING & OIL SUMP | | |
| 4. | CYLINDER HEAD & BONNET | | |
| 5. | SUCTION MANIFOLD | | |
| 6. | EXHAUST MANIFOLD | | |
| 7. | CAMSHAFT & DRIVING GEAR | | |
| 8. | CRANKSHAFT & PISTON | | |
| 9. | LUB.OIL SYSTEM | | |
| 10. | COOLING WATER SYSTEM | | |
| 11. | FUEL INJECTION PUMP | | |
| 12. | GOVERNOR | | |
| 13. | FUEL INJECTION VALVE | | |
| 14. | FUEL LINE | | |
| 15. | STARTING MOTOR | | |
| 16. | GENERATOR | | |
| 17. | GASKET SET & TOOLS | | |

Fig.1. CYLINDER BLOCK



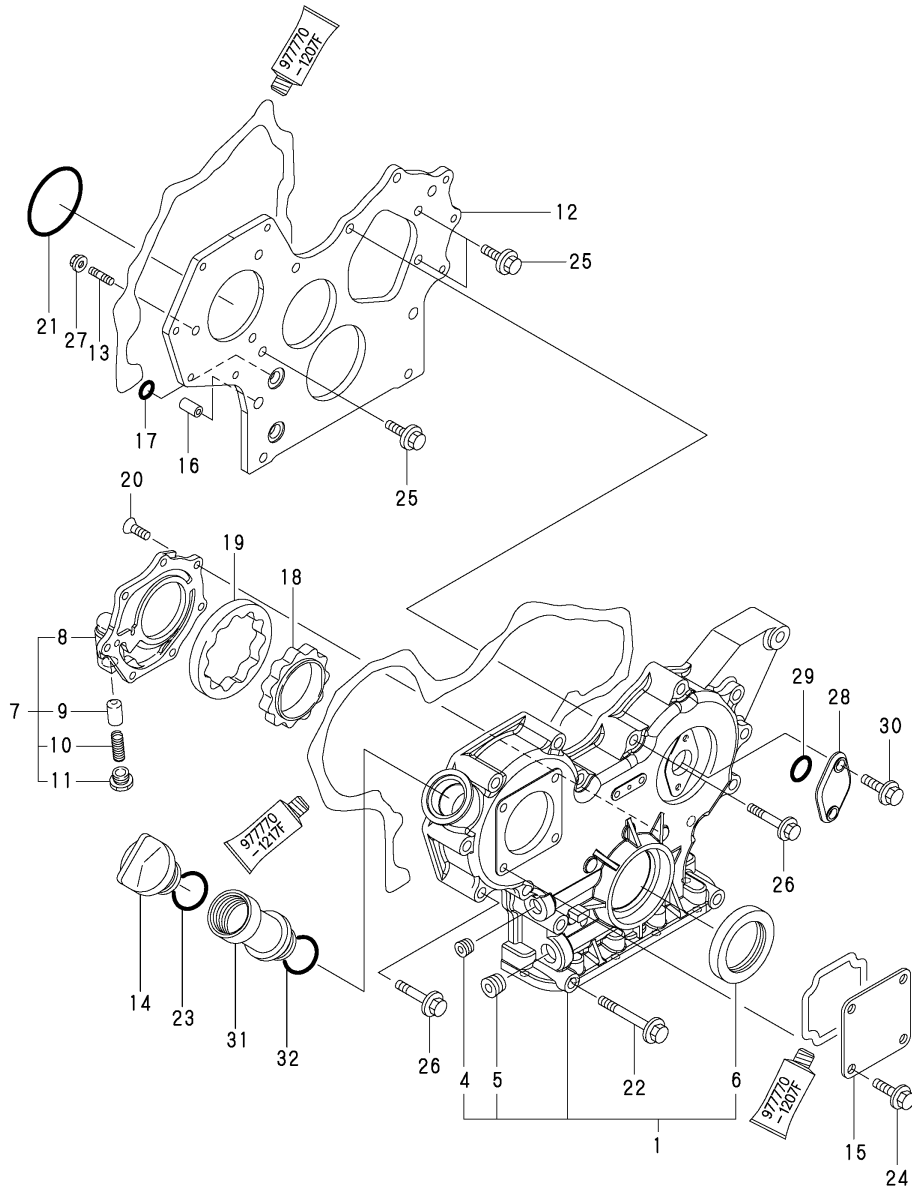
(A)=3TNV88-XBV
(B)=
(C)=

(D)=
(E)=
(F)=

| No. | Lev. | Parts No. | Description | Q'ty | | | | | | I | R |
|-----|------|--------------|----------------------|------|-----|-----|-----|-----|-----|---|---|
| | | | | (A) | (B) | (C) | (D) | (E) | (F) | | |
| 1 | 1 | 729005-01560 | BLOCK ASSY, CYLINDER | 1 | | | | | | | |
| 5 | 3 | 124060-01050 | PLUG, PT1/8 | 1 | | | | | | | |
| 6 | 3 | 129001-01250 | PLUG, 50 | 1 | | | | | | | |
| 7 | 3 | 124160-01910 | PLUG, PT1/4 | 2 | | | | | | | |
| 8 | 3 | 124160-01910 | PLUG, PT1/4 | 1 | | | | | | | |
| 9 | 3 | 171051-01921 | PLUG, NPTF1 | 1 | | | | | | | |
| 10 | 3 | 129150-02020 | BOLT, METAL CAP | 8 | | | | | | | |
| 13 | 3 | 129795-02411 | BUSH, CAMSHAFT | 1 | | | | | | | |
| 14 | 3 | 27241-120000 | PLUG, 12 | 2 | | | | | | | |
| 15 | 3 | 27241-300000 | PLUG 30 | 6 | | | | | | | |
| 25 | 2 | 129001-02930 | BEARING, MAIN | 4 | | | | | | | 3 |
| 28 | 2 | 129150-02930 | BEARING, THRUST | 2 | | | | | | | |
| 31 | 1 | 129150-01200 | BOLT, HEAD | 14 | | | | | | | |
| 32 | 1 | 129001-01340 | GASKET, HEAD | 1 | | | | | | | |
| 33 | 1 | 129150-02870 | BEARING, 0.25 US | 4 | | | | | | | 1 |
| 36 | 1 | 129150-02940 | BEARING, THRUST 0.25 | 1 | | | | | | | 2 |

Remarks
 (1) UNDER SIZED (U.S.=0.25) PART.
 (2) OVER SIZED (O.S.=0.25) PART.
 (3) REPAIR PART.

Fig.2. GEAR HOUSING

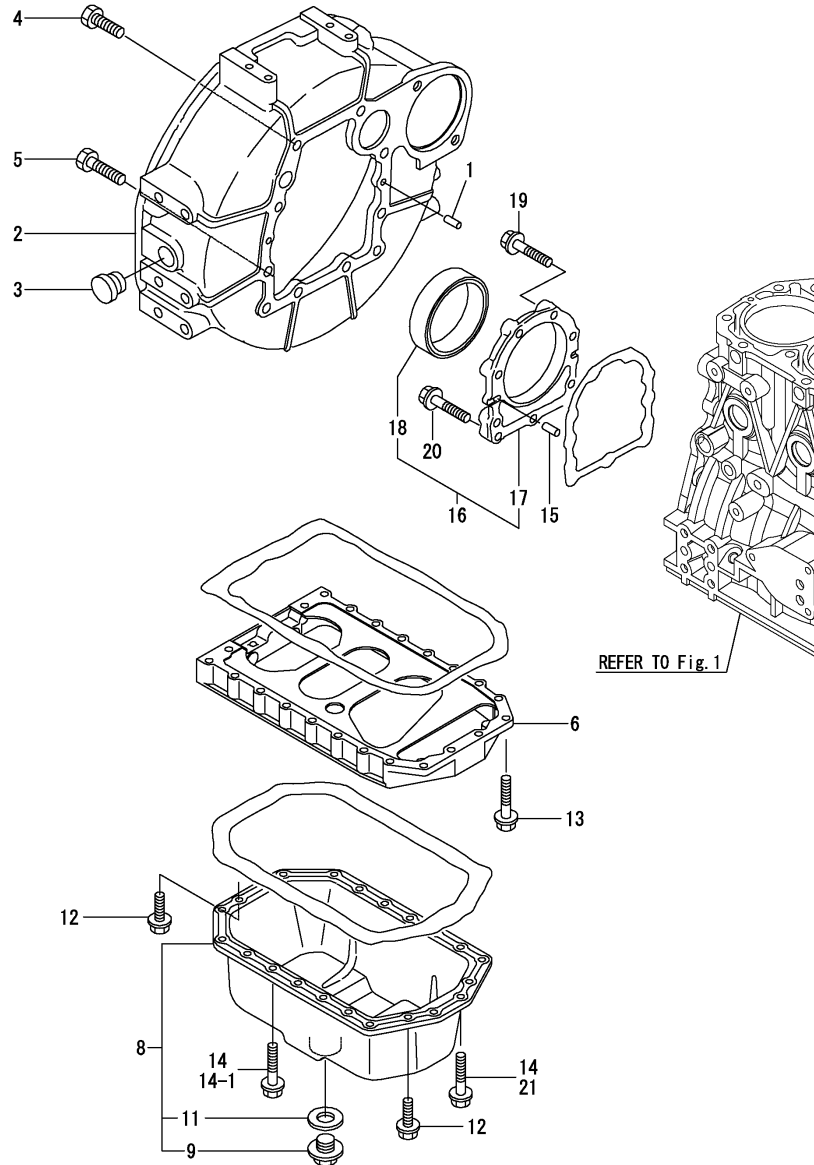


(A)=3TNV88-XBV
(B)=
(C)=

(D)=
(E)=
(F)=

| No. | Lev. | Parts No. | Description | Qty | | | | | | I | R |
|--------------|------|--------------|---------------------|-----|-----|-----|-----|-----|-----|---|---|
| | | | | (A) | (B) | (C) | (D) | (E) | (F) | | |
| 1 | 1 | 719802-01500 | CASE ASSY, GEAR | 1 | | | | | | | |
| 4 | 2 | 23876-030000 | PLUG, R03 | 1 | | | | | | | |
| 5 | 2 | 23876-040000 | PLUG, R04 | 1 | | | | | | | |
| 6 | 2 | 129795-01800 | SEAL, OIL | 1 | | | | | | | |
| 7 | 1 | 119802-32100 | COVER ASSY | 1 | | | | | | | |
| 8 | 2 | 119802-32070 | COVER | 1 | | | | | | | |
| 9 | 2 | 129900-32130 | VALVE, RELIEF | 1 | | | | | | | |
| 10 | 2 | 129418-32320 | SPRING | 1 | | | | | | | |
| 11 | 2 | 129001-32330 | PLUG | 1 | | | | | | | |
| 12 | 1 | 119802-01520 | FLANGE, GEAR CASE | 1 | | | | | | | |
| 13 | 1 | 119802-01560 | STUD, M8X25 | 3 | | | | | | | |
| 13-1 | 1 | 119802-01561 | STUD, M8X25 | 3 | | | | | | | R |
| (A=E/#23366) | | | | | | | | | | | |
| 14 | 1 | 124160-01751 | COVER, FILLER | 1 | | | | | | | |
| 15 | 1 | 124240-01871 | COVER | 1 | | | | | | | |
| 16 | 1 | 129795-01950 | PIPE, KNOCK L=18 | 2 | | | | | | | |
| 17 | 1 | 119609-32040 | O-RING, P16 | 4 | | | | | | | |
| 18 | 1 | 119802-32111 | ROTOR, INNER | 1 | | | | | | | |
| 19 | 1 | 119802-32120 | ROTOR, OUTER | 1 | | | | | | | |
| 20 | 1 | 119802-32130 | SCREW, M6X16 | 7 | | | | | | | |
| 21 | 1 | 121850-51960 | O-RING | 1 | | | | | | | |
| 22 | 1 | 129001-91841 | BOLT, M8X85 | 3 | | | | | | | |
| 23 | 1 | 24311-000320 | O-RING, 1AP32.0 | 1 | | | | | | | |
| 24 | 1 | 26106-080162 | BOLT, M8X 16 PLATED | 4 | | | | | | | |
| 25 | 1 | 26106-080162 | BOLT, M8X 16 PLATED | 3 | | | | | | | |
| 26 | 1 | 26106-080552 | BOLT, M8X 55 PLATED | 12 | | | | | | | |
| 27 | 1 | 26306-080002 | NUT, M8 | 3 | | | | | | | |
| 28 | 1 | 121023-01550 | COVER | 1 | | | | | | | |
| 28-1 | 1 | 121023-01551 | COVER | 1 | | | | | | | R |
| (A=E/#23366) | | | | | | | | | | | |
| 29 | 1 | 24341-000240 | O-RING, 1AS24.0 | 1 | | | | | | | |
| 30 | 1 | 26106-060162 | BOLT, M6X 16 PLATED | 2 | | | | | | | |
| 31 | 1 | 171031-11741 | PIPE | 1 | | | | | | | |
| 32 | 1 | 24311-000320 | O-RING, 1AP32.0 | 1 | | | | | | | |

Fig.3. FLYWHEEL HOUSING & OIL SUMP

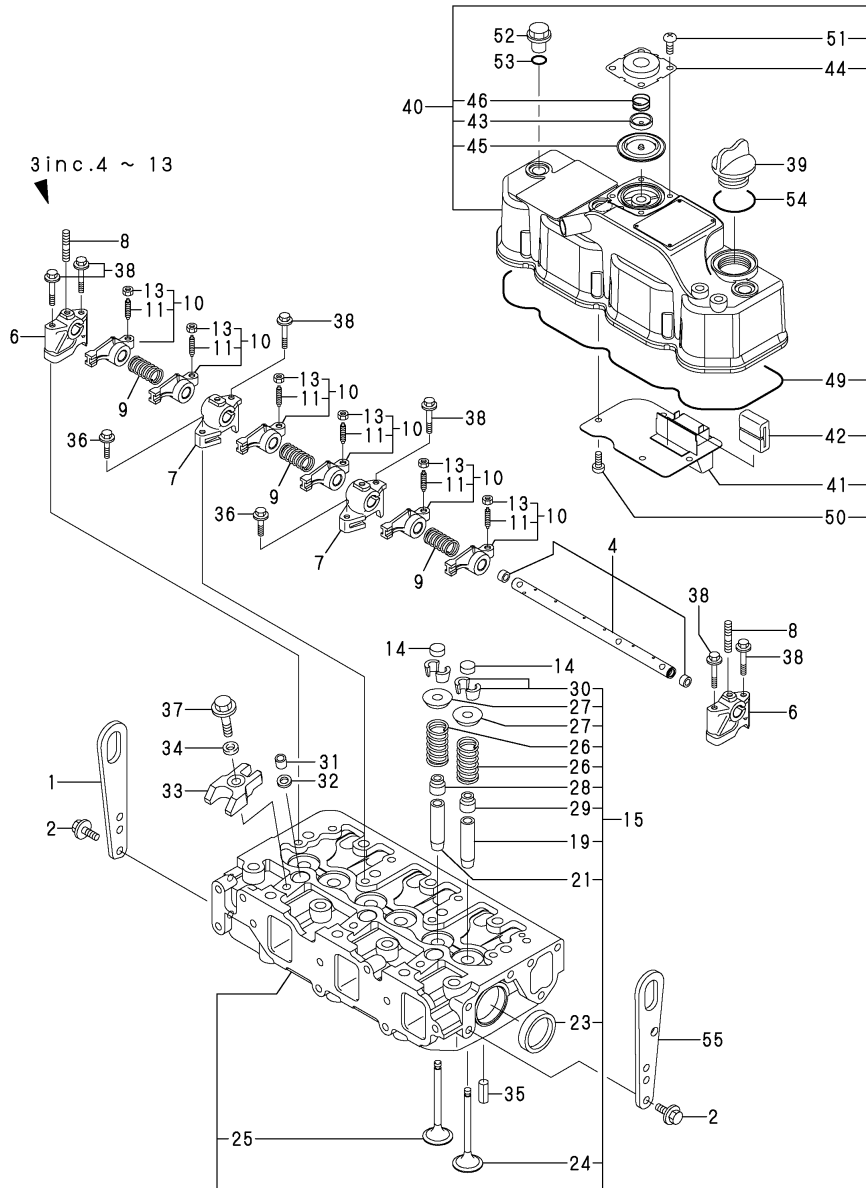


(A)=3TNV88-XBV
(B)=
(C)=

(D)=
(E)=
(F)=

| No. | Lev. | Parts No. | Description | Q'ty | | | | | | I | R |
|--------------|------|--------------|----------------------|------|-----|-----|-----|-----|-----|---|---|
| | | | | (A) | (B) | (C) | (D) | (E) | (F) | | |
| 1 | 1 | 129100-01580 | PIN, M8X16 | 2 | | | | | | | |
| 2 | 1 | 129612-01600 | HOUSING, FLYWHEEL | 1 | | | | | | | |
| 3 | 1 | 119620-01750 | CAP | 1 | | | | | | | |
| 4 | 1 | 26206-100252 | BOLT, M10X 25 PLATED | 6 | | | | | | | |
| 5 | 1 | 26206-100302 | BOLT, M10X 30 PLATED | 4 | | | | | | | |
| 6 | 1 | 129100-01730 | SPACER, OIL SUMP | 1 | | | | | | | |
| 8 | 1 | 129136-01780 | SUMP ASSY, OIL | 1 | | | | | | | |
| 9 | 2 | 119640-01640 | PLUG, DRAIN M22 | 1 | | | | | | | |
| 11 | 2 | 22190-220002 | WASHER, SEAL 22 | 1 | | | | | | | |
| 12 | 1 | 26106-080162 | BOLT, M8X 16 PLATED | 4 | | | | | | | |
| 13 | 1 | 26106-080252 | BOLT, M8X 25 PLATED | 2 | | | | | | | |
| 14 | 1 | 26106-080452 | BOLT, M8X 45 PLATED | 20 | | | | | | | |
| 14-1 | 1 | 26106-080452 | BOLT, M8X 45 PLATED | 16 | | | | | | | K |
| (A=FROM 1ST) | | | | | | | | | | | |
| 15 | 1 | 129100-01580 | PIN, M8X16 | 2 | | | | | | | |
| 16 | 1 | 129100-01640 | CASE ASSY, OIL SEAL | 1 | | | | | | | |
| 17 | 2 | 129150-01650 | CASE, OIL SEAL | 1 | | | | | | | |
| 18 | 2 | 129795-01780 | SEAL, OIL | 1 | | | | | | | |
| 19 | 1 | 129486-01670 | BOLT, M8X30 | 6 | | | | | | | |
| 20 | 1 | 26106-080352 | BOLT, M8X 35 PLATED | 3 | | | | | | | |
| 21 | 1 | 26106-080502 | BOLT, M8X 50 PLATED | 4 | | | | | | | W |
| (A=FROM 1ST) | | | | | | | | | | | |

Fig.4. CYLINDER HEAD & BONNET



(A)=3TNV88-XBV

(B)=

(C)=

(D)=

(E)=

(F)=

| No. | Lev. | Parts No. | Description | Q'ty | | | | | | I | R |
|--------------|------|--------------|---------------------|------|-----|-----|-----|-----|-----|---|---|
| | | | | (A) | (B) | (C) | (D) | (E) | (F) | | |
| 1 | 1 | 129900-07900 | LIFTER | 1 | | | | | | | |
| 2 | 1 | 26106-080142 | BOLT, M8X 14 PLATED | 4 | | | | | | | |
| 3 | 1 | 129004-11241 | SHAFT ASSY, ROCKER | 1 | | | | | | | |
| 4 | 2 | 129004-11251 | SHAFT, ROCKER ARM | 1 | | | | | | | |
| 6 | 2 | 119802-11260 | SUPPORT, ROCKER ARM | 2 | | | | | | | |
| 7 | 2 | 119802-11270 | SUPPORT, ROCKER ARM | 2 | | | | | | | |
| 8 | 2 | 119802-11280 | STUD | 3 | | | | | | | |
| 9 | 2 | 129150-11280 | SPRING | 3 | | | | | | | |
| 10 | 2 | 129004-11650 | ARM, ROCKER | 6 | | | | | | | |
| 11 | 3 | 129150-11230 | SCREW, VALVE ADJUST | 6 | | | | | | | |
| 13 | 3 | 129150-11750 | NUT, M8 | 6 | | | | | | | |
| 14 | 1 | 129150-11370 | CAP, VALVE | 6 | | | | | | | |
| 15 | 1 | 129004-11700 | HEAD ASSY, CYLINDER | 1 | | | | | | | |
| 19 | 2 | 120130-11860 | GUIDE, VALVE | 3 | | | | | | | 1 |
| 21 | 2 | 129150-11810 | GUIDE, VALVE | 3 | | | | | | | 1 |
| 23 | 2 | 27241-400000 | PLUG, 40 | 2 | | | | | | | |
| 24 | 2 | 129004-11101 | VALVE, INTAKE | 3 | | | | | | | |
| 24-1 | 2 | 129004-11130 | VALVE, INTAKE | 3 | | | | | | | R |
| (A=E/#23366) | | | | | | | | | | | |
| 25 | 2 | 129100-11111 | VALVE, EXHAUST | 3 | | | | | | | |
| 25-1 | 2 | 129100-11112 | VALVE, EXHAUST | 3 | | | | | | | R |
| (A=E/#23366) | | | | | | | | | | | |
| 26 | 2 | 129795-11120 | SPRING, VALVE | 6 | | | | | | | |
| 27 | 2 | 129795-11180 | RETAINER, SPRING | 6 | | | | | | | |
| 28 | 2 | 121400-11340 | SEAL, VALVE STEM | 3 | | | | | | | |
| 29 | 2 | 124460-11340 | SEAL, VALVE STEM | 3 | | | | | | | |
| 30 | 2 | 27310-080000 | COTTER 8 | 6 | | | | | | | |
| 31 | 1 | 119802-11870 | PROTECTOR, NOZZLE | 3 | | | | | | | |
| 32 | 1 | 119625-11880 | SEAT, NOZZLE | 3 | | | | | | | |
| 33 | 1 | 129004-11900 | RETAINER, NOZZLE | 3 | | | | | | | |
| 34 | 1 | 120270-54410 | WASHER, INJECTOR | 3 | | | | | | | |
| 35 | 1 | 22351-060012 | PIN, SPRING 6.0X12 | 2 | | | | | | | |
| 36 | 1 | 26106-080252 | BOLT, M8X 25 PLATED | 2 | | | | | | | |
| 37 | 1 | 26106-080352 | BOLT, M8X 35 PLATED | 3 | | | | | | | |
| 38 | 1 | 26106-080502 | BOLT, M8X 50 PLATED | 6 | | | | | | | |
| 39 | 1 | 124160-01751 | COVER, FILLER | 1 | | | | | | | |
| 40 | 1 | 129004-11350 | BONNET ASSY, HEAD | 1 | | | | | | | |
| 41 | 2 | 129004-03010 | PLATE | 1 | | | | | | | |
| 42 | 2 | 129150-03070 | BAFFLE, BREATHER | 1 | | | | | | | |
| 43 | 2 | 119802-03110 | PLATE | 1 | | | | | | | |
| 44 | 2 | 119802-03121 | COVER, DIAPHRAGM | 1 | | | | | | | |
| 45 | 2 | 119802-03130 | DIAPHRAGM | 1 | | | | | | | |
| 46 | 2 | 119802-03141 | SPRING, DIAPHRAGM | 1 | | | | | | | |
| 49 | 2 | 129004-11310 | GASKET, BONNET | 1 | | | | | | | |
| 50 | 2 | 22857-500100 | SCREW, 5X10 | 4 | | | | | | | |
| 51 | 2 | 22857-500100 | SCREW, 5X10 | 4 | | | | | | | |
| 52 | 1 | 124160-11360 | KNOB | 3 | | | | | | | |
| 53 | 1 | 24311-000120 | O-RING, 1AP12.0 | 3 | | | | | | | |
| 54 | 1 | 24311-000320 | O-RING, 1AP32.0 | 1 | | | | | | | |
| 55 | 1 | 119940-07900 | LIFTER | 1 | | | | | | | |

Remarks

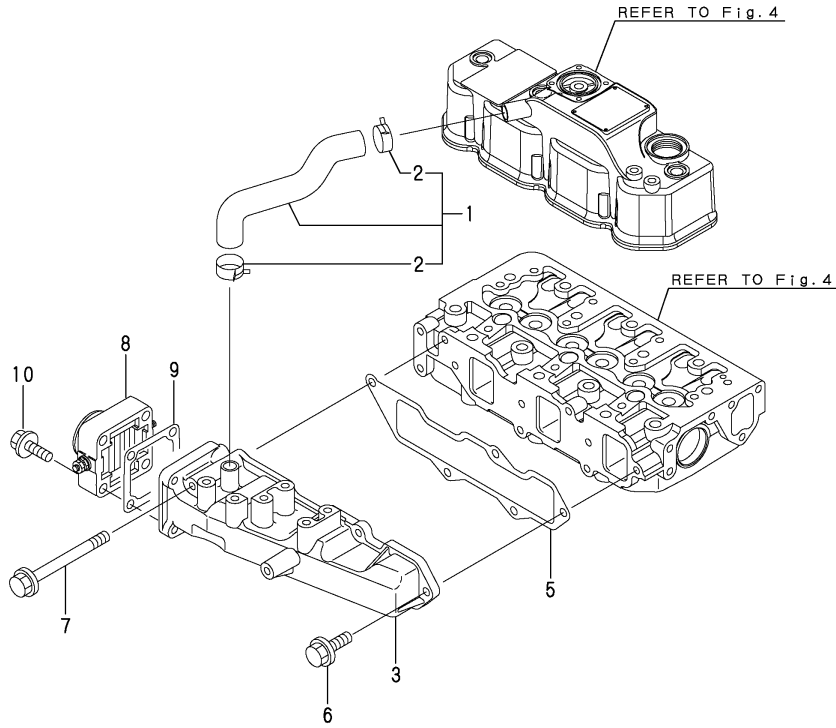
(1)REPAIR PART.

N:Old $\xrightarrow{\text{Yes}}$ New, Q:Old $\xrightarrow{\text{No}}$ New, R:Old $\xrightarrow{\text{Yes}}$ New, S:Old $\xrightarrow{\text{No}}$ New, W:Add, Z:Discontinued, F:Interchangeable by set, K:Q'ty Change

Fig.5. SUCTION MANIFOLD

(A)=3TNV88-XBV
(B)=
(C)=

(D)=
(E)=
(F)=

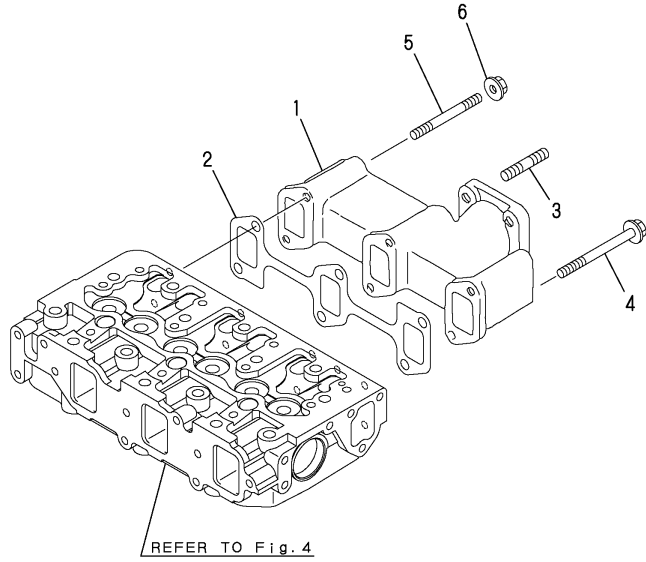


| No. | Lev. | Parts No. | Description | Q'ty | | | | | | I | R |
|-----|------|--------------|----------------------|------|-----|-----|-----|-----|-----|---|---|
| | | | | (A) | (B) | (C) | (D) | (E) | (F) | | |
| 1 | 1 | 129004-03080 | PIPE , BREATHER | 1 | | | | | | | |
| 2 | 2 | 129410-03990 | CLIP | 2 | | | | | | | |
| 3 | 1 | 129004-12100 | MANIFOLD, AIR INTAKE | 1 | | | | | | | |
| 5 | 1 | 129001-12110 | GASKET, MANIFOLD | 1 | | | | | | | |
| 6 | 1 | 26106-080202 | BOLT, M8X 20 PLATED | 4 | | | | | | | |
| 7 | 1 | 26106-080802 | BOLT, M8X 80 PLATED | 1 | | | | | | | |
| 8 | 1 | 129120-77501 | HEATER | 1 | | | | | | | |
| 9 | 1 | 129150-77511 | GASKET | 1 | | | | | | | |
| 10 | 1 | 26106-080352 | BOLT, M8X 35 PLATED | 4 | | | | | | | |

Fig.6. EXHAUST MANIFOLD

(A)=3TNV88-XBV
(B)=
(C)=

(D)=
(E)=
(F)=

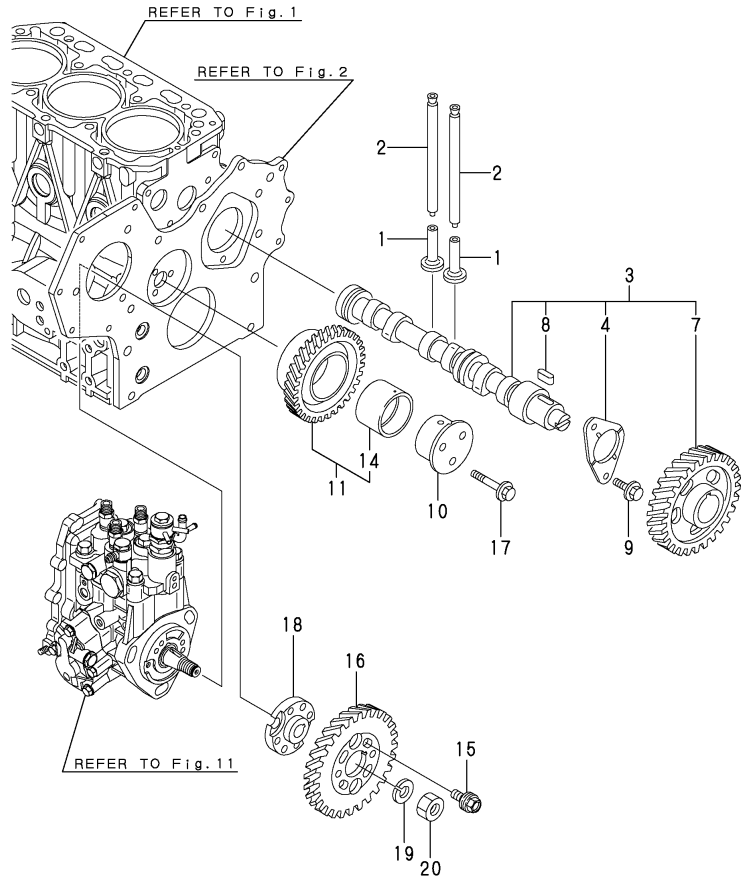


| No. | Lev. | Parts No. | Description | Q'ty | | | | | | I | R |
|-----|------|--------------|-------------------|------|-----|-----|-----|-----|-----|---|---|
| | | | | (A) | (B) | (C) | (D) | (E) | (F) | | |
| 1 | 1 | 129100-13110 | MANIFOLD, EXHAUST | 1 | | | | | | | |
| 2 | 1 | 129150-13110 | GASKET | 1 | | | | | | | |
| 3 | 1 | 119131-18320 | STUD, M8X22 | 4 | | | | | | | |
| 4 | 1 | 123900-13630 | BOLT, M8X80 | 4 | | | | | | | |
| 5 | 1 | 123900-13610 | STUD, M8X80 | 2 | | | | | | | |
| 6 | 1 | 26306-080002 | NUT, M8 | 2 | | | | | | | |

Fig.7. CAMSHAFT & DRIVING GEAR

(A)=3TNV88-XBV
(B)=
(C)=

(D)=
(E)=
(F)=



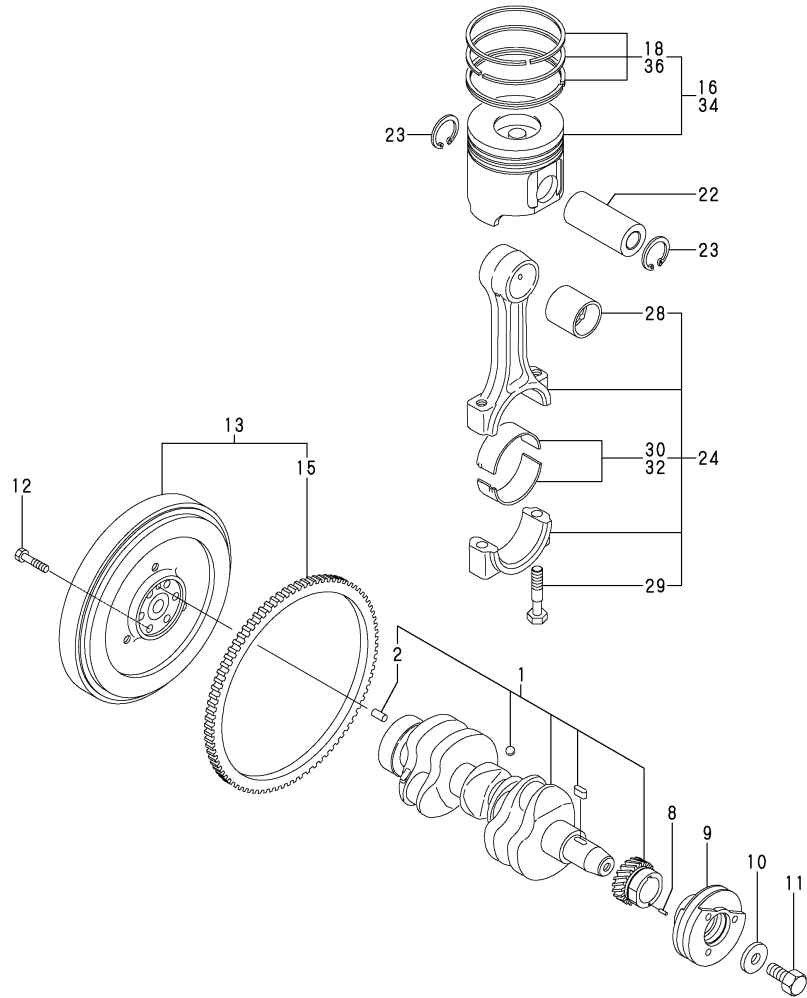
| No. | Lev. | Parts No. | Description | Q'ty | | | | | | I | R |
|-----|------|--------------|---------------------|------|-----|-----|-----|-----|-----|---|---|
| | | | | (A) | (B) | (C) | (D) | (E) | (F) | | |
| 1 | 1 | 129150-14200 | TAPPET | 6 | | | | | | | |
| 2 | 1 | 129150-14400 | ROD, PUSH L=178 | 6 | | | | | | | |
| 3 | 1 | 129129-14580 | CAMSHAFT ASSY | 1 | | | | | | | |
| 4 | 2 | 129150-02450 | BEARING, THRUST | 1 | | | | | | | |
| 7 | 2 | 129150-14101 | GEAR, CAMSHAFT | 1 | | | | | | | |
| 8 | 2 | 22512-070140 | KEY, 7X 14 | 1 | | | | | | | |
| 9 | 1 | 26106-080142 | BOLT, M8X 14 PLATED | 2 | | | | | | | |
| 10 | 1 | 119802-25051 | SHAFT, IDLE | 1 | | | | | | | |
| 11 | 1 | 119802-25100 | GEAR ASSY, IDLE | 1 | | | | | | | |
| 14 | 2 | 119802-25070 | BUSH, IDLE GEAR | 1 | | | | | | | 1 |
| 15 | 1 | 129150-25301 | BOLT | 4 | | | | | | | |
| 16 | 1 | 119802-25901 | GEAR, PUMP | 1 | | | | | | | |
| 17 | 1 | 26106-080402 | BOLT, M8X 40 PLATED | 3 | | | | | | | |
| 18 | 1 | 158552-51151 | FLANGE | 1 | | | | | | | |
| 19 | 1 | 22217-140000 | WASHER, SPRING 14 | 1 | | | | | | | |
| 20 | 1 | 26776-140002 | NUT, LOCK M14 | 1 | | | | | | | |

Remarks
(1)REPAIR PART.

Fig.8. CRANKSHAFT & PISTON

(A)=3TNV88-XBV
(B)=
(C)=

(D)=
(E)=
(F)=

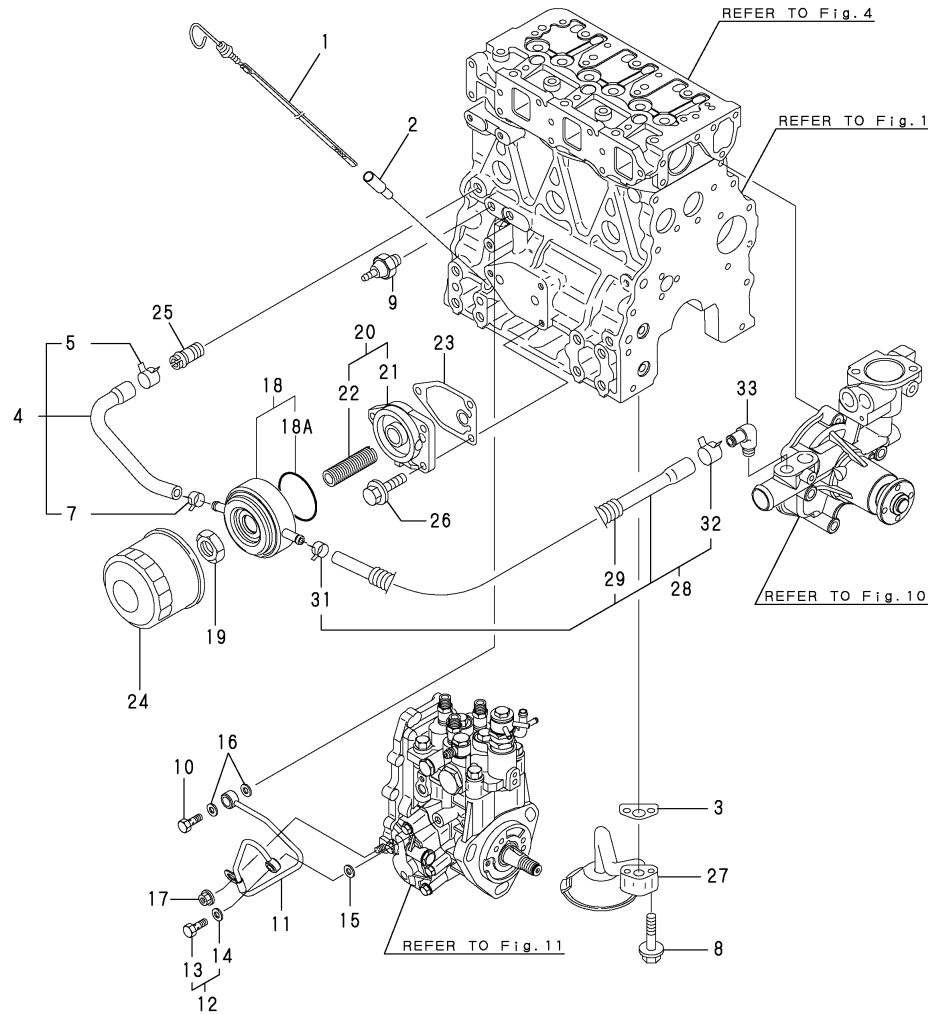


| No. | Lev. | Parts No. | Description | Q'ty | | | | | | I | R |
|-----|------|--------------|----------------------|------|-----|-----|-----|-----|-----|---|---|
| | | | | (A) | (B) | (C) | (D) | (E) | (F) | | |
| 1 | 1 | 129004-21002 | CRANKSHAFT ASSY | 1 | | | | | | | |
| 2 | 2 | 129100-01580 | PIN, M8X16 | 1 | | | | | | | |
| 8 | 1 | 22351-030010 | PIN, SPRING 3.0X10 | 1 | | | | | | | |
| 9 | 1 | 129004-21650 | V-PULLEY, 110 | 1 | | | | | | | |
| 10 | 1 | 129795-21661 | WASHER | 1 | | | | | | | |
| 11 | 1 | 121850-21680 | BOLT | 1 | | | | | | | |
| 12 | 1 | 121111-21501 | BOLT, FLYWHEEL | 6 | | | | | | | |
| 13 | 1 | 129002-21590 | FLYWHEEL ASSY | 1 | | | | | | | |
| 15 | 2 | 119865-21600 | GEAR, RING | 1 | | | | | | | |
| 16 | 1 | 129005-22080 | PISTON ASSY | 3 | | | | | | | |
| 18 | 2 | 129005-22500 | RING SET, PISTON | 3 | | | | | | | |
| 22 | 1 | 129202-22300 | PIN, PISTON D26 L70 | 3 | | | | | | | |
| 23 | 1 | 22252-000260 | RING, 26 | 6 | | | | | | | |
| 24 | 1 | 729402-23100 | ROD ASSY, CONNECTING | 3 | | | | | | | |
| 28 | 2 | 129100-23910 | BEARING, PISTON PIN | 3 | | | | | | | 1 |
| 29 | 2 | 121550-23200 | BOLT, CONNECTING ROD | 6 | | | | | | | |
| 30 | 2 | 129150-23600 | BEARING, CRANK PIN | 3 | | | | | | | |
| 32 | 1 | 129150-23610 | BEARING, 0.25 US | 3 | | | | | | | 2 |
| 34 | 1 | 129005-22900 | PISTON ASSY, 0.25 OS | 3 | | | | | | | 3 |
| 36 | 2 | 129005-22950 | RING SET, 0.25 OS | 3 | | | | | | | 3 |

Remarks

- (1)REPAIR PART.
- (2)UNDER SIZED(U.S.=0.25)PART.
- (3)OVER SIZED(O.S.=0.25)PART.

Fig.9. LUB.OIL SYSTEM



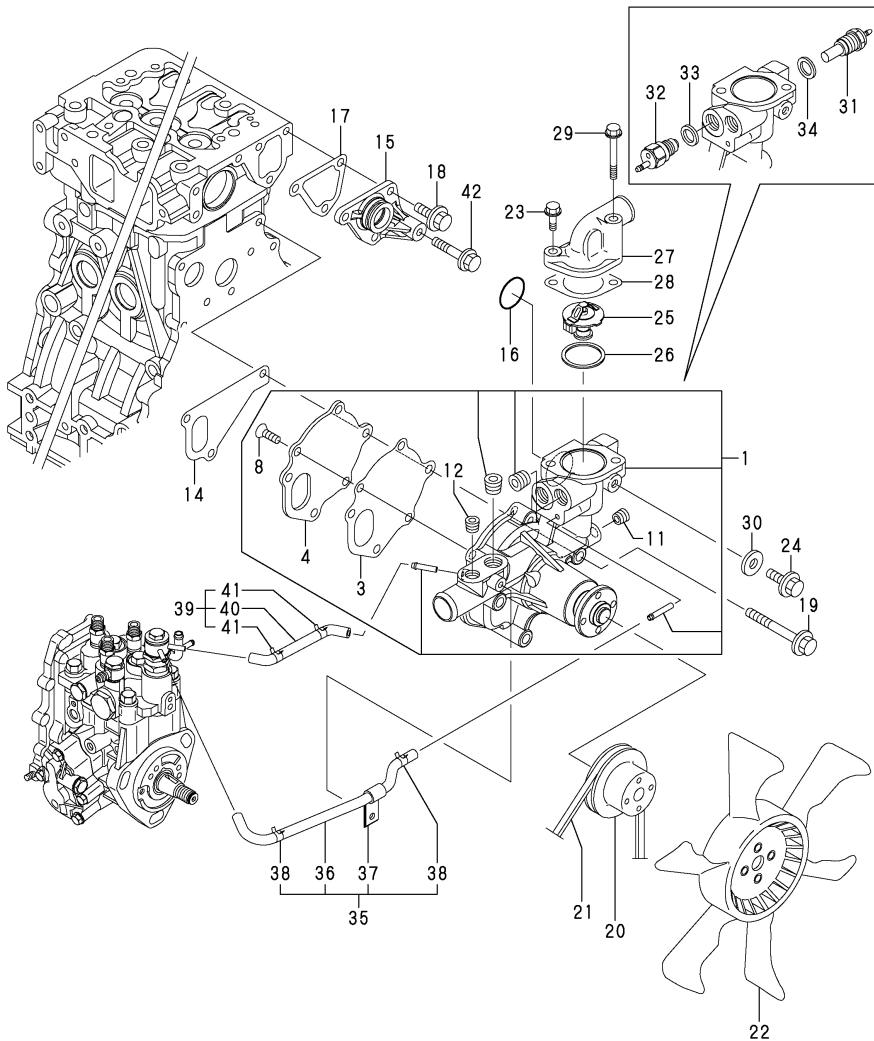
(A)=3TNV88-XBV
(B)=
(C)=

(D)=
(E)=
(F)=

| No. | Lev. | Parts No. | Description | Q'ty | | | | | | I | R |
|--------------|------|--------------|----------------------|------|-----|-----|-----|-----|-----|---|---|
| | | | | (A) | (B) | (C) | (D) | (E) | (F) | | |
| 1 | 1 | 129004-34802 | DIPSTICK, OIL | 1 | | | | | | | |
| 2 | 1 | 121520-34810 | GUIDE, DIPSTICK | 1 | | | | | | | |
| 3 | 1 | 129150-35042 | GASKET | 1 | | | | | | | |
| 4 | 1 | 129508-49030 | PIPE ASSY, WATER | 1 | | | | | | | |
| 5 | 2 | 171008-03990 | CLIP, HOSE 18.5 | 1 | | | | | | | |
| 7 | 2 | 23080-015000 | CLAMP, 15 | 1 | | | | | | | |
| 8 | 1 | 26106-080352 | BOLT, M8X 35 PLATED | 2 | | | | | | | |
| 9 | 1 | 114250-39450 | SWITCH, 0.5KG | 1 | | | | | | | |
| 10 | 1 | 124160-39140 | BOLT, PIPE JOINT M10 | 1 | | | | | | | |
| 11 | 1 | 119802-39450 | PIPE ASSY, OIL | 1 | | | | | | | |
| 12 | 1 | 129005-59830 | BOLT ASSY, JOINT M8 | 1 | | | | | | | |
| 13 | 2 | 23857-030000 | BOLT, JOINT 3 | 1 | | | | | | | |
| 14 | 2 | 22190-080002 | WASHER, SEAL 6 | 1 | | | | | | | |
| 15 | 1 | 22190-080002 | WASHER, SEAL 6 | 1 | | | | | | | |
| 16 | 1 | 22190-100002 | WASHER, SEAL 10 | 2 | | | | | | | |
| 17 | 1 | 26366-060002 | NUT, M6 | 1 | | | | | | | |
| 18 | 1 | 129508-33010 | COOLER ASSY, OIL | 1 | | | | | | | |
| 18A | 2 | 129508-33050 | O-RING | 1 | | | | | | | W |
| (A=FROM 1ST) | | | | | | | | | | | |
| 19 | 1 | 129417-33110 | NUT | 1 | | | | | | | |
| 20 | 1 | 129006-35100 | BRACKET ASSY, FILTER | 1 | | | | | | | |
| 21 | 2 | 119802-35110 | BRACKET, FILTER | 1 | | | | | | | |
| 22 | 2 | 129417-35150 | STUD, L=67 | 1 | | | | | | | |
| 23 | 1 | 129150-35111 | GASKET | 1 | | | | | | | |
| 24 | 1 | 129150-35170 | FILTER, LO | 1 | | | | | | | 1 |
| 25 | 1 | 129122-44480 | JOINT | 1 | | | | | | | |
| 26 | 1 | 26106-080202 | BOLT, M8X 20 PLATED | 3 | | | | | | | |
| 27 | 1 | 129100-35301 | PIPE ASSY, OIL INLET | 1 | | | | | | | |
| 28 | 1 | 129006-49040 | PIPE ASSY, WATER | 1 | | | | | | | |
| 29 | 2 | 129642-49180 | TUBE, CORRUGATED | 1 | | | | | | | |
| 31 | 2 | 23080-015000 | CLAMP, 15 | 1 | | | | | | | |
| 32 | 2 | 23080-018000 | CLAMP, 18 | 1 | | | | | | | |
| 33 | 1 | 129103-49301 | ELBOW, PT1/4 | 1 | | | | | | | |

Remarks
(1) REPAIR PART.

Fig.10. COOLING WATER SYSTEM



(A)=3TNV88-XBV

(B)=

(C)=

(D)=

(E)=

(F)=

| No. | Lev. | Parts No. | Description | Q'ty | | | | | | I | R |
|--------------|------|--------------|----------------------|------|-----|-----|-----|-----|-----|---|-----|
| | | | | (A) | (B) | (C) | (D) | (E) | (F) | | |
| 1 | 1 | 129004-42001 | PUMP ASSY, WATER | 1 | | | | | | | |
| 3 | 2 | 129100-42051 | GASKET, WATER PUMP | 1 | | | | | | | |
| 4 | 2 | 129100-42121 | PLATE | 1 | | | | | | | |
| 8 | 2 | 121850-42410 | SCREW | 3 | | | | | | | |
| 11 | 2 | 23876-010000 | PLUG, R01 | 1 | | | | | | | |
| 12 | 2 | 23876-020000 | PLUG, R02 | 1 | | | | | | | |
| 14 | 1 | 129486-42021 | GASKET, WATER PUMP | 1 | | | | | | | |
| 15 | 1 | 129004-42040 | JOINT | 1 | | | | | | | |
| 16 | 1 | 129486-42140 | O-RING, G30 | 1 | | | | | | | |
| 17 | 1 | 124395-49840 | GASKET | 1 | | | | | | | |
| 18 | 1 | 26106-080162 | BOLT, M8X 16 PLATED | 3 | | | | | | | |
| 19 | 1 | 26106-080602 | BOLT, M8X 60 PLATED | 3 | | | | | | | |
| 20 | 1 | 129550-42350 | V-PULLEY, D=120 | 1 | | | | | | | |
| 21 | 1 | 25132-003800 | V-BELT, A38 | 1 | | | | | | | |
| 21-1 | 1 | 129211-42290 | V-BELT, A38.5 | 1 | | | | | | | S 1 |
| (A=E/#14586) | | | | | | | | | | | |
| 22 | 1 | 171340-44740 | FAN, COOLING D335XNF | 1 | | | | | | | |
| 23 | 1 | 26106-080252 | BOLT, M8X 25 PLATED | 1 | | | | | | | |
| 24 | 1 | 26106-080122 | BOLT, M8X 12 PLATED | 1 | | | | | | | |
| 25 | 1 | 129155-49801 | THERMOSTAT, 71 | 1 | | | | | | | |
| 26 | 1 | 129150-49811 | GASKET, THERMOSTAT | 1 | | | | | | | |
| 27 | 1 | 124101-49531 | COVER, THERMOSTAT | 1 | | | | | | | |
| 28 | 1 | 129795-49551 | GASKET | 1 | | | | | | | |
| 29 | 1 | 26106-080652 | BOLT, M8X 65 PLATED | 1 | | | | | | | |
| 30 | 1 | 23414-080000 | GASKET, 8X1.0 | 1 | | | | | | | |
| 31 | 1 | 171056-49351 | SENSOR | 1 | | | | | | | |
| 32 | 1 | 121250-44901 | SWITCH, 110 | 1 | | | | | | | |
| 33 | 1 | 124465-44950 | GASKET, 16 | 1 | | | | | | | |
| 34 | 1 | 129150-49360 | GASKET | 1 | | | | | | | |
| 35 | 1 | 129004-49610 | PIPE ASSY, WATER | 1 | | | | | | | |
| 36 | 2 | 129004-49711 | PIPE ASSY, WATER | 1 | | | | | | | |
| 37 | 2 | 119802-49730 | RETAINER, PIPE | 1 | | | | | | | |
| 38 | 2 | 124722-59050 | CLIP, HOSE 9 | 2 | | | | | | | |
| 39 | 1 | 129004-49620 | PIPE ASSY, WATER | 1 | | | | | | | |
| 40 | 2 | 129004-49721 | PIPE ASSY, WATER | 1 | | | | | | | |
| 41 | 2 | 124722-59050 | CLIP, HOSE 9 | 2 | | | | | | | |
| 42 | 1 | 26106-080452 | BOLT, M8X 45 PLATED | 1 | | | | | | | |

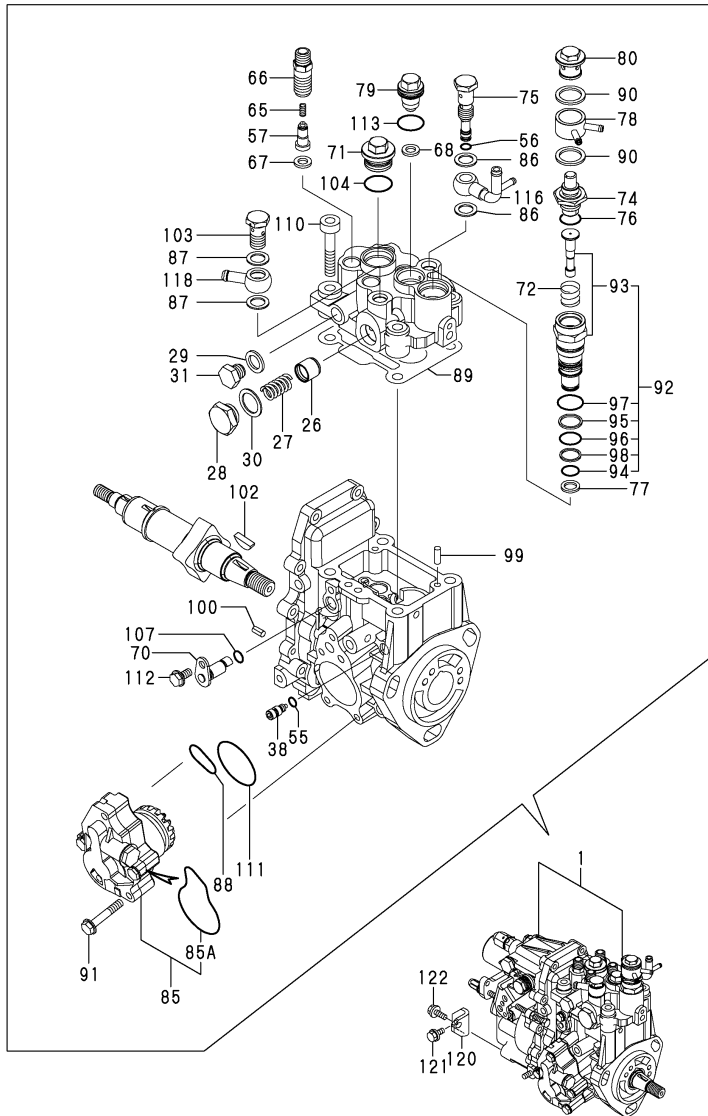
Remarks

(1)INTERCHANGEABLE BY SIMULTANEOUS REPLACEMENT WITH REF.NO.21-1, FIG.1 NO.1-1.

Fig.11. FUEL INJECTION PUMP

(A)=3TNV88-XBV
(B)=
(C)=

(D)=
(E)=
(F)=



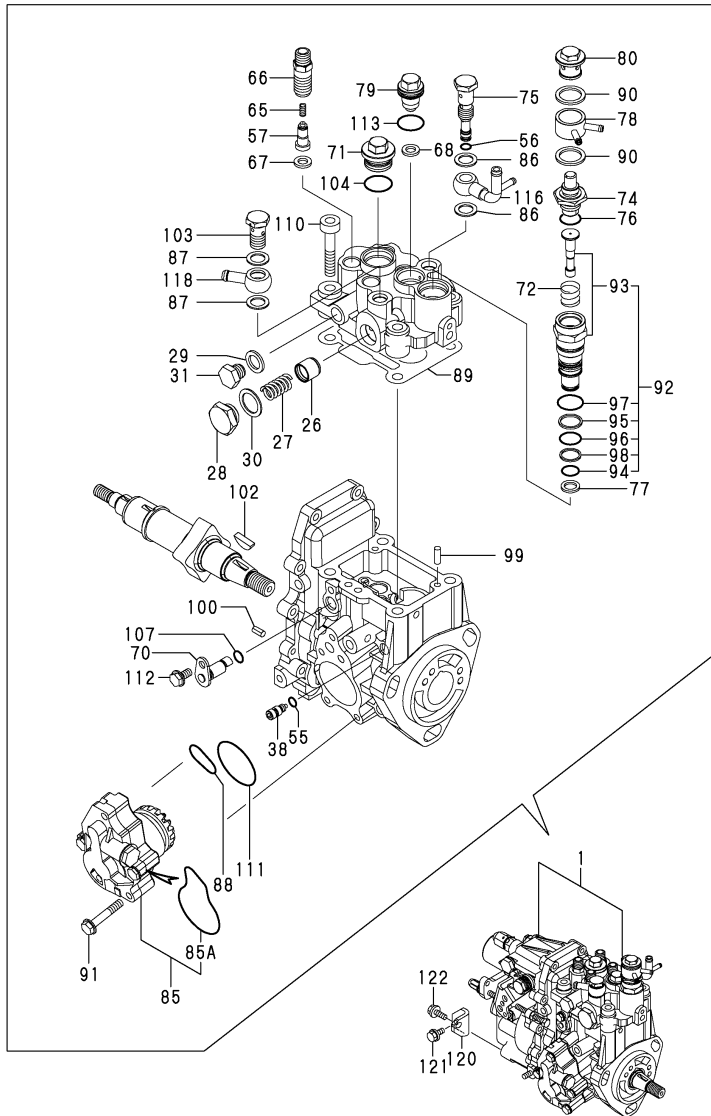
| No. | Lev. | Parts No. | Description | Q'ty | | | | | | I | R |
|--------------|------|--------------|----------------------|------|-----|-----|-----|-----|-----|---|---|
| | | | | (A) | (B) | (C) | (D) | (E) | (F) | | |
| 1 | 1 | 729242-51310 | PUMP ASSY, INJECTION | 1 | | | | | | | 1 |
| 26 | 4 | 158601-51770 | PISTON | 1 | | | | | | | |
| 27 | 4 | 158552-51780 | SPRING | 1 | | | | | | | |
| 28 | 4 | 158601-51790 | PLUG | 1 | | | | | | | |
| 29 | 4 | 22190-120002 | WASHER, SEAL 12 | 1 | | | | | | | |
| 30 | 4 | 22190-180002 | WASHER, SEAL 18 | 1 | | | | | | | |
| 31 | 4 | 23887-120002 | PLUG, 12 | 1 | | | | | | | |
| 38 | 3 | 158600-51270 | STOPPER, TAPPET | 1 | | | | | | | |
| 55 | 3 | 158563-51281 | O-RING, 4D S6 | 1 | | | | | | | |
| 56 | 3 | 158563-51281 | O-RING, 4D S6 | 1 | | | | | | | |
| 57 | 3 | 158560-51300 | VALVE ASSY, DELIVERY | 3 | | | | | | | |
| 65 | 3 | 158563-51330 | SPRING, DELIVERY | 3 | | | | | | | |
| 66 | 3 | 158601-51340 | HOLDER, DELIVERY | 3 | | | | | | | |
| 67 | 3 | 158552-51570 | GASKET | 3 | | | | | | | |
| 68 | 3 | 158552-51570 | GASKET | 1 | | | | | | | |
| 70 | 3 | 158552-51580 | LIFTER | 1 | | | | | | | |
| 71 | 3 | 158601-51550 | PLUG | 1 | | | | | | | |
| 72 | 3 | 158553-51630 | SPRING, TIMER | 1 | | | | | | | |
| 74 | 3 | 158553-51640 | ELEMENT | 1 | | | | | | | |
| 75 | 3 | 158601-51650 | JOINT, OVER FLOW | 1 | | | | | | | |
| 76 | 3 | 158553-51660 | O-RING, P14 | 1 | | | | | | | |
| 77 | 3 | 158553-51680 | GASKET | 1 | | | | | | | |
| 78 | 3 | 158553-51551 | JOINT | 1 | | | | | | | |
| 79 | 3 | 119802-51560 | PLUG, BARREL | 1 | | | | | | | |
| 80 | 3 | 158601-51570 | PLUG | 1 | | | | | | | |
| 85 | 3 | 158552-52100 | PUMP ASSY, FUEL FEED | 1 | | | | | | | |
| 85A | 4 | 158552-52500 | O-RING | 1 | | | | | | | W |
| (A=FROM 1ST) | | | | | | | | | | | |
| 86 | 3 | 22190-120002 | WASHER, SEAL 12 | 2 | | | | | | | |
| 87 | 3 | 22190-120002 | WASHER, SEAL 12 | 2 | | | | | | | |
| 88 | 3 | 158552-52310 | O-RING | 1 | | | | | | | |
| 89 | 3 | 158552-51600 | GASKET | 1 | | | | | | | |
| 90 | 3 | 22190-180002 | WASHER, SEAL 18 | 2 | | | | | | | |
| 91 | 3 | 26106-060352 | BOLT, M6X 35 PLATED | 4 | | | | | | | |
| 91-1 | 3 | 158553-51770 | BOLT | 4 | | | | | | | N |
| (A=E/#06455) | | | | | | | | | | | |
| 92 | 3 | 119802-51590 | TIMER SET | 1 | | | | | | | |
| 93 | 4 | 119802-51600 | TIMER ASSY | 1 | | | | | | | |
| 94 | 4 | 158553-51670 | O-RING, 1011 | 1 | | | | | | | |
| 95 | 4 | 119802-51680 | RING, BACK UP | 1 | | | | | | | |
| 96 | 4 | 119802-51690 | O-RING | 1 | | | | | | | |
| 97 | 4 | 24356-010200 | O-RING, 4D1020 | 1 | | | | | | | |
| 98 | 4 | 24372-000150 | RING, BACK UP T2P15 | 1 | | | | | | | |
| 99 | 3 | 22312-050140 | PIN, PARALLEL M5X14 | 2 | | | | | | | |
| 100 | 3 | 22351-050010 | PIN, SPRING 5.0X10 | 2 | | | | | | | |
| 102 | 3 | 119802-51090 | KEY, 4X16 | 1 | | | | | | | |
| 103 | 3 | 23857-060000 | BOLT, JOINT 6 | 1 | | | | | | | |
| 104 | 3 | 24356-010200 | O-RING, 4D1020 | 1 | | | | | | | |
| 107 | 3 | 24311-000070 | O-RING, 1AP7.0 | 1 | | | | | | | |
| 110 | 3 | 26450-080452 | BOLT, M8X 45 | 4 | | | | | | | |
| 111 | 3 | 158552-52400 | O-RING, 4E S42 | 1 | | | | | | | |

Remarks
* COMPONENT PART WAS DEVELOPED.
(1) GOVERNOR ASSY (FIG. 12) IS INCORPORATED IN THIS FUEL INJECTION PUMP. (REF. NO. 1)

Fig.11. FUEL INJECTION PUMP

(A)=3TNV88-XBV
(B)=
(C)=

(D)=
(E)=
(F)=



| No. | Lev. | Parts No. | Description | Qty | | | | | | I | R |
|-----|------|--------------|---------------------|-----|-----|-----|-----|-----|-----|---|---|
| | | | | (A) | (B) | (C) | (D) | (E) | (F) | | |
| 112 | 3 | 26106-060102 | BOLT, M6X 10 PLATED | 1 | | | | | | | |
| 113 | 3 | 24356-010180 | O-RING, 4D1018 | 1 | | | | | | | |
| 116 | 2 | 158552-51670 | JOINT, OVER FLOW | 1 | | | | | | | |
| 118 | 2 | 129916-59020 | JOINT, PIPE 12 | 1 | | | | | | | |
| 120 | 1 | 119802-51250 | RETAINER, PUMP | 1 | | | | | | | |
| 121 | 1 | 26106-080162 | BOLT, M8X 16 PLATED | 1 | | | | | | | |
| 122 | 1 | 26106-080202 | BOLT, M8X 20 PLATED | 1 | | | | | | | |

Remarks

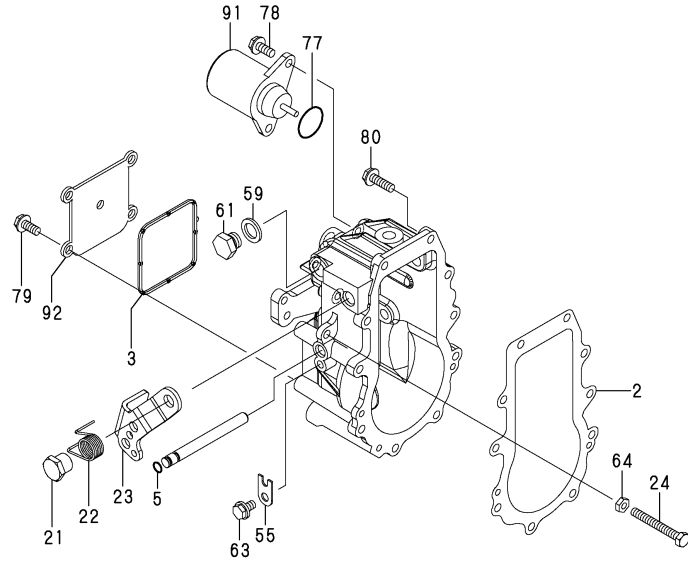
* COMPONENT PART WAS DEVELOPED.

(1) GOVERNOR ASSY (FIG. 12) IS INCORPORATED IN THIS FUEL INJECTION PUMP. (REF. NO. 1)

Fig.12. GOVERNOR

(A)=3TNV88-XBV
(B)=
(C)=

(D)=
(E)=
(F)=

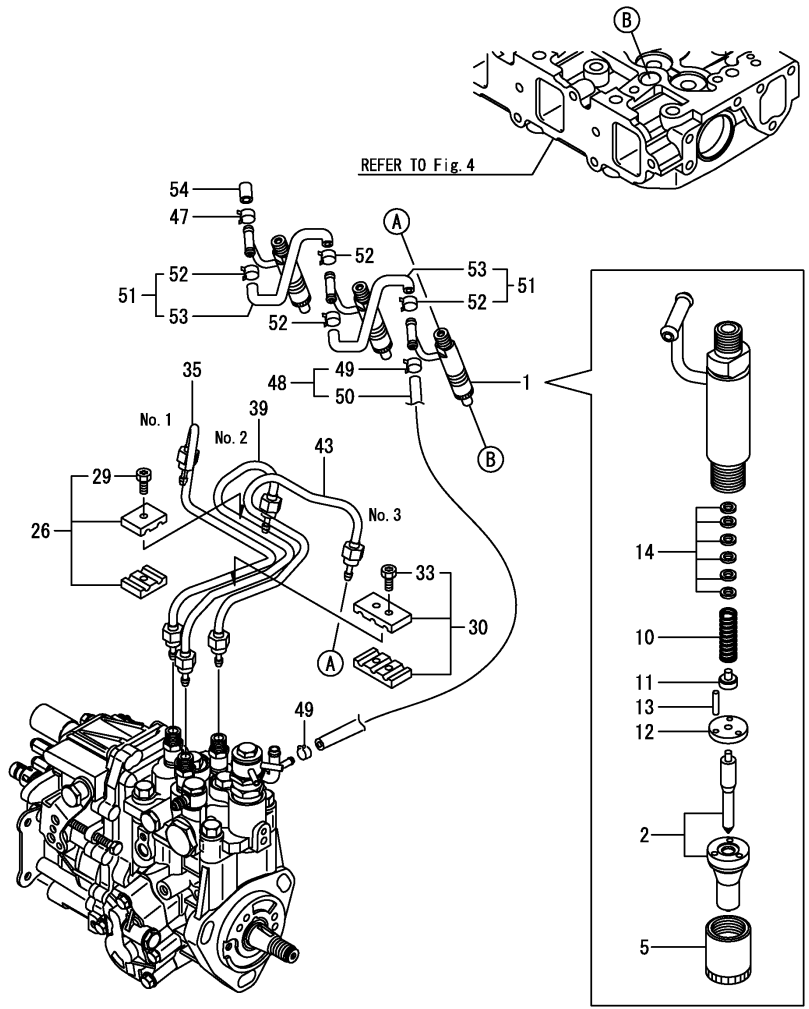


| No. | Lev. | Parts No. | Description | Q'ty | | | | | | I | R |
|------------|------|--------------|----------------------|------|-----|-----|-----|-----|-----|---|---|
| | | | | (A) | (B) | (C) | (D) | (E) | (F) | | |
| 2 | 3 | 158553-61050 | GASKET | 1 | | | | | | | |
| 3 | 3 | 158553-61070 | GASKET | 1 | | | | | | | |
| 5 | 3 | 129155-51280 | O-RING, S6 | 1 | | | | | | | |
| 21 | 3 | 129255-61410 | NUT, LOCK | 1 | | | | | | | |
| 22 | 3 | 119807-61420 | SPRING, RETURN | 1 | | | | | | | |
| 23 | 3 | 158552-61441 | LEVER, REGULATOR | 1 | | | | | | | |
| 24 | 3 | 129155-61460 | BOLT, IDLE | 1 | | | | | | | |
| 55 | 3 | 119660-61901 | RETAINER, SHAFT | 1 | | | | | | | |
| 59 | 3 | 22190-120000 | WASHER, SEAL 12 | 1 | | | | | | | |
| 61 | 3 | 23887-120002 | PLUG, 12 | 1 | | | | | | | |
| 63 | 3 | 26106-060102 | BOLT, M6X 10 PLATED | 1 | | | | | | | |
| 64 | 3 | 26756-060002 | NUT, LOCK M6 | 1 | | | | | | | |
| 77 | 3 | 24341-000280 | O-RING, 1AS28.0 | 1 | | | | | | | |
| 77-1 | 3 | 158552-61900 | O-RING | 1 | | | | | | | N |
| (A=EXXXXX) | | | | | | | | | | | |
| 78 | 3 | 26106-060142 | BOLT, M6X 14 PLATED | 2 | | | | | | | |
| 79 | 3 | 26106-060142 | BOLT, M6X 14 PLATED | 4 | | | | | | | |
| 80 | 3 | 26106-060202 | BOLT, M6X 20 PLATED | 10 | | | | | | | |
| 91 | 2 | 119233-77932 | SOLENOID, STOP | 1 | | | | | | | |
| 92 | 2 | 129642-61060 | COVER, GOVERNOR CASE | 1 | | | | | | | |

Remarks

* THIS FIGURE(GOVERNOR ASSY)IS INCORPORATED IN THE FUEL INJECTION PUMP ASSY(FIG.11).

Fig.13. FUEL INJECTION VALVE

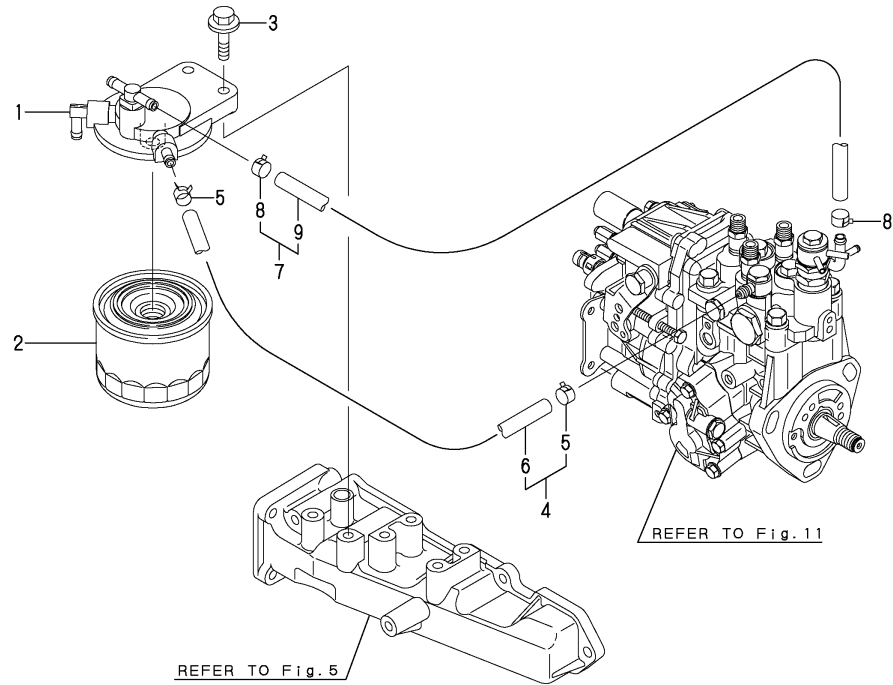


(A)=3TNV88-XBV
(B)=
(C)=

(D)=
(E)=
(F)=

| No. | Lev. | Parts No. | Description | Q'ty | | | | | | I | R |
|--------------|------|--------------|----------------------|------|-----|-----|-----|-----|-----|---|---|
| | | | | (A) | (B) | (C) | (D) | (E) | (F) | | |
| 1 | 1 | 729245-53100 | VALVE ASSY,INJECTION | 3 | | | | | | | |
| 2 | 2 | 129004-53001 | VALVE ASSY,INJECTION | 3 | | | | | | | |
| 5 | 2 | 114250-53080 | NUT, NOZZLE D16.95 | 3 | | | | | | | |
| 10 | 2 | 114250-53120 | SPRING, NOZZLE | 3 | | | | | | | |
| 11 | 2 | 114250-53130 | SEAT, SPRING | 3 | | | | | | | |
| 12 | 2 | 114250-53140 | PLATE | 3 | | | | | | | |
| 13 | 2 | 114250-53210 | PIN | 6 | | | | | | | |
| 14 | 2 | 114250-53400 | SHIM SET | 3 | | | | | | | |
| 26 | 1 | 119305-59120 | RETAINER, PIPE | 1 | | | | | | | Z |
| (A=E/#23366) | | | | | | | | | | | |
| 26-1 | 1 | 129150-59120 | RETAINER, PIPE | 1 | | | | | | | W |
| (A=E/#23366) | | | | | | | | | | | |
| 29 | 2 | 129150-59131 | BOLT, M4X14 | 1 | | | | | | | Z |
| (A=E/#23366) | | | | | | | | | | | |
| 29-1 | 2 | 129150-59131 | BOLT, M4X14 | 2 | | | | | | | W |
| (A=E/#23366) | | | | | | | | | | | |
| 30 | 1 | 129150-59120 | RETAINER, PIPE | 1 | | | | | | | |
| 33 | 2 | 129150-59131 | BOLT, M4X14 | 2 | | | | | | | |
| 35 | 1 | 129004-59810 | PIPE ASSY, INJECTION | 1 | | | | | | | |
| 35-1 | 1 | 129004-59811 | PIPE ASSY, INJECTION | 1 | | | | | | | N |
| (A=E/#23366) | | | | | | | | | | | |
| 39 | 1 | 129004-59820 | PIPE ASSY, INJECTION | 1 | | | | | | | |
| 39-1 | 1 | 129004-59821 | PIPE ASSY, INJECTION | 1 | | | | | | | N |
| (A=E/#23366) | | | | | | | | | | | |
| 43 | 1 | 129004-59830 | PIPE ASSY, INJECTION | 1 | | | | | | | |
| 43-1 | 1 | 129004-59831 | PIPE ASSY, INJECTION | 1 | | | | | | | N |
| (A=E/#23366) | | | | | | | | | | | |
| 47 | 1 | 124066-59100 | CLIP, HOSE 8 | 2 | | | | | | | |
| 48 | 1 | 119802-59550 | PIPE ASSY, RETURN | 1 | | | | | | | |
| 49 | 2 | 124722-59050 | CLIP, HOSE 9 | 2 | | | | | | | |
| 50 | 2 | 119802-59560 | PIPE, FUEL RETURN | 1 | | | | | | | |
| 51 | 1 | 129486-59551 | PIPE ASSY, RETURN | 2 | | | | | | | |
| 52 | 2 | 124722-59050 | CLIP, HOSE 9 | 4 | | | | | | | |
| 53 | 2 | 129486-59510 | PIPE, FUEL RETURN | 2 | | | | | | | |
| 54 | 1 | 119593-59580 | CAP | 1 | | | | | | | |
| 54-1 | 1 | 119593-59581 | CAP | 1 | | | | | | | N |
| (A=E/#25388) | | | | | | | | | | | |

Fig.14. FUEL LINE



(A)=3TNV88-XBV
(B)=
(C)=

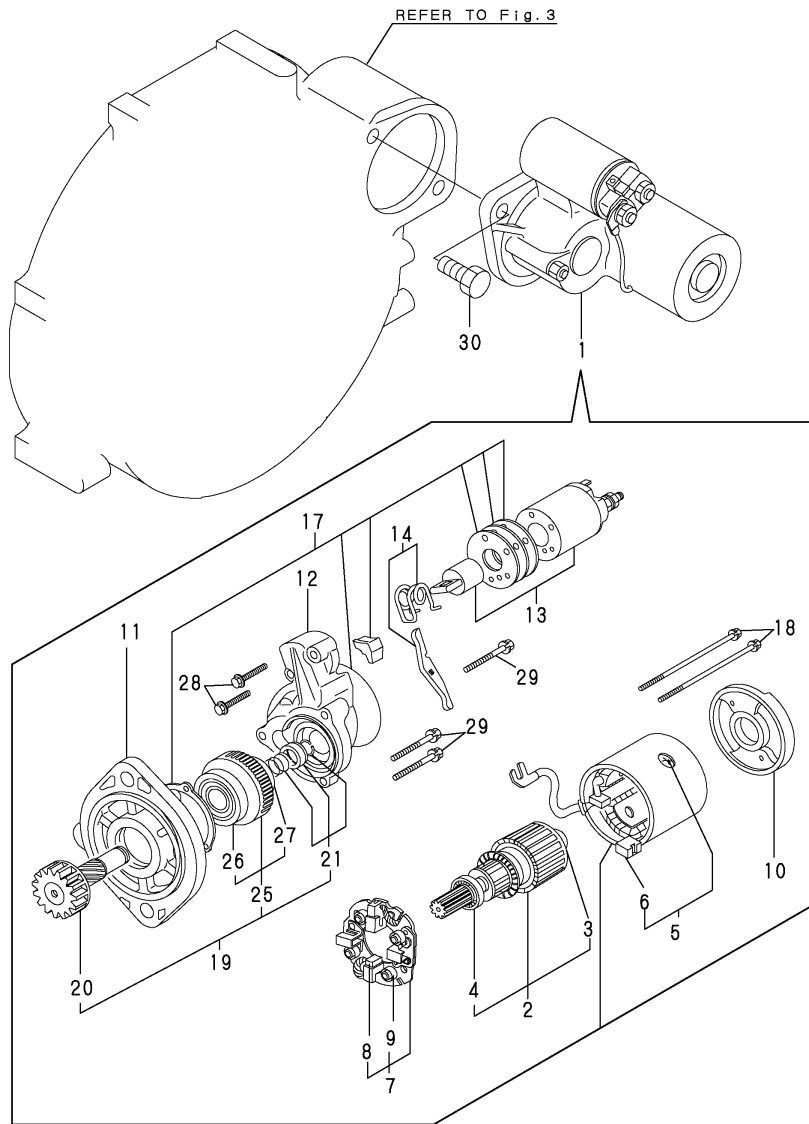
(D)=
(E)=
(F)=

| No. | Lev. | Parts No. | Description | Q'ty | | | | | | I | R |
|--------------|------|--------------|---------------------|------|-----|-----|-----|-----|-----|---|---|
| | | | | (A) | (B) | (C) | (D) | (E) | (F) | | |
| 1 | 1 | 129004-55610 | BRACKET, FILTER | 1 | | | | | | | |
| 1-1 | 1 | 129004-55611 | BRACKET, FILTER | 1 | | | | | | | R |
| (A=E/#12082) | | | | | | | | | | | |
| 2 | 1 | 119802-55800 | FILTER, FUEL | 1 | | | | | | | |
| 3 | 1 | 26106-080302 | BOLT, M8X 30 PLATED | 2 | | | | | | | |
| 4 | 1 | 129210-59100 | PIPE ASSY, FUEL | 1 | | | | | | | |
| 5 | 2 | 124766-59050 | CLIP, HOSE 12 | 2 | | | | | | | |
| 6 | 2 | 105025-59580 | PIPE, FUEL | 1 | | | | | | | |
| 7 | 1 | 129210-59230 | PIPE ASSY, FUEL | 1 | | | | | | | |
| 8 | 2 | 124766-59050 | CLIP, HOSE 12 | 2 | | | | | | | |
| 9 | 2 | 129555-59511 | PIPE, FUEL | 1 | | | | | | | |

Fig.15. STARTING MOTOR

(A)=3TNV88-XBV
(B)=
(C)=

(D)=
(E)=
(F)=

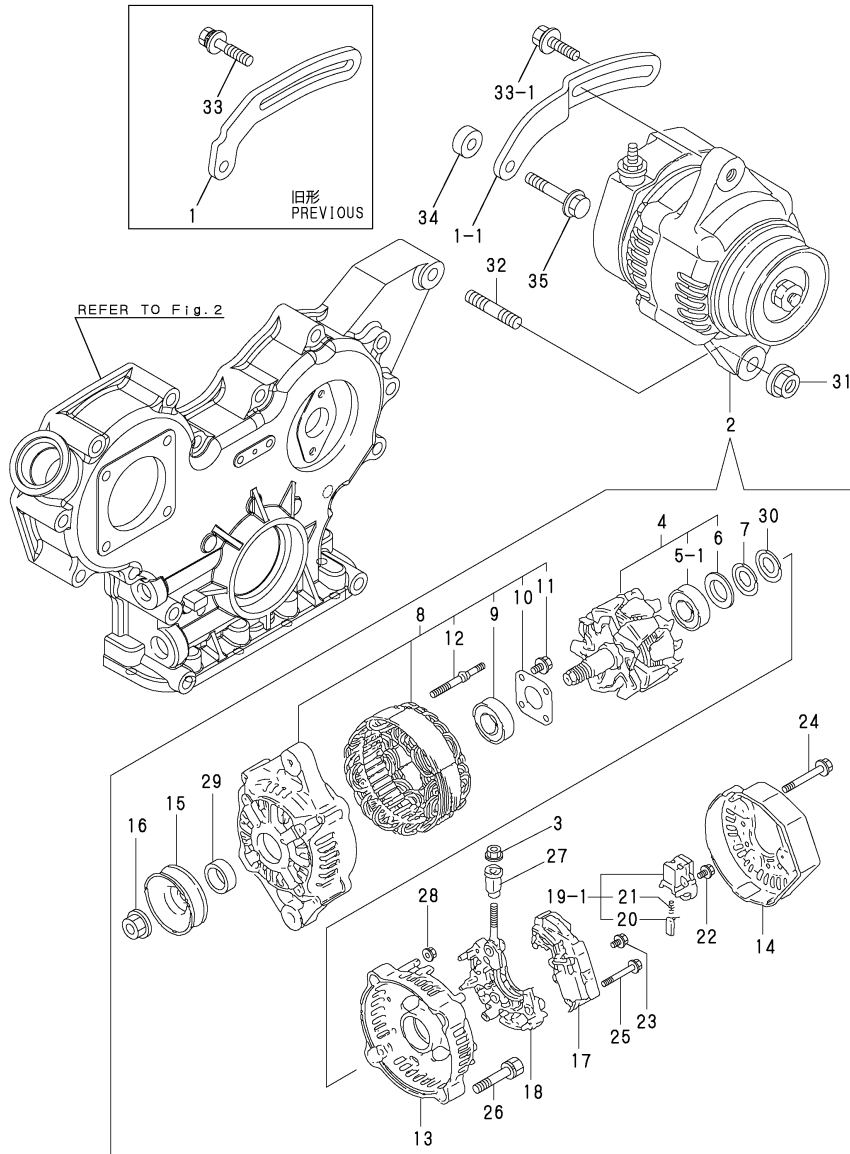


| No. | Lev. | Parts No. | Description | Qty | | | | | | I | R |
|-----|------|--------------|----------------------|-----|-----|-----|-----|-----|-----|---|---|
| | | | | (A) | (B) | (C) | (D) | (E) | (F) | | |
| 1 | 1 | 129400-77012 | STARTER | 1 | | | | | | | |
| 2 | 2 | 129486-77400 | ARMATURE | 1 | | | | | | | |
| 3 | 3 | 171008-77410 | BEARING | 1 | | | | | | | |
| 4 | 3 | 171008-77420 | BEARING | 1 | | | | | | | |
| 5 | 2 | 129400-77441 | COIL ASSY, FIELD | 1 | | | | | | | |
| 6 | 3 | 129486-77460 | BRUSH | 2 | | | | | | | |
| 7 | 2 | 129486-77470 | HOLDER ASSY, BRUSH | 1 | | | | | | | |
| 8 | 3 | 129486-77460 | BRUSH | 2 | | | | | | | |
| 9 | 3 | 129486-77490 | SPRING | 4 | | | | | | | |
| 10 | 2 | 129900-77460 | COVER | 1 | | | | | | | |
| 11 | 2 | 171008-77510 | CASE, GEAR | 1 | | | | | | | |
| 12 | 2 | 129400-77520 | HOUSING | 1 | | | | | | | |
| 13 | 2 | 129400-77531 | SWITCH ASSY | 1 | | | | | | | |
| 14 | 2 | 171008-77540 | LEVER SET | 1 | | | | | | | |
| 17 | 2 | 129400-77571 | COVER ASSY, DUST | 1 | | | | | | | |
| 18 | 2 | 129900-77640 | BOLT, THROUGH | 2 | | | | | | | |
| 19 | 2 | 171008-77650 | PINION ASSY | 1 | | | | | | | |
| 20 | 3 | 171008-77660 | SHAFT | 1 | | | | | | | |
| 21 | 3 | 171008-77670 | STOPPER SET | 1 | | | | | | | |
| 25 | 3 | X2114555500 | CLUTCH ASSY | 1 | | | | | | | |
| 26 | 4 | X2114955020 | BEARING, BALL | 1 | | | | | | | |
| 27 | 4 | X2240410100 | BEARING, BALL | 1 | | | | | | | |
| 28 | 2 | 26106-060322 | BOLT, M6X 32 PLATED | 2 | | | | | | | |
| 29 | 2 | 26106-060402 | BOLT, M6X 40 PLATED | 3 | | | | | | | |
| 30 | 1 | 26116-120252 | BOLT, M12X 25 PLATED | 2 | | | | | | | |

Fig.16. GENERATOR

(A)=3TNV88-XBV
(B)=
(C)=

(D)=
(E)=
(F)=



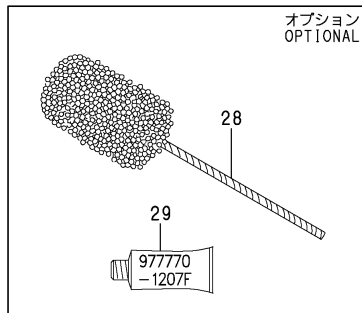
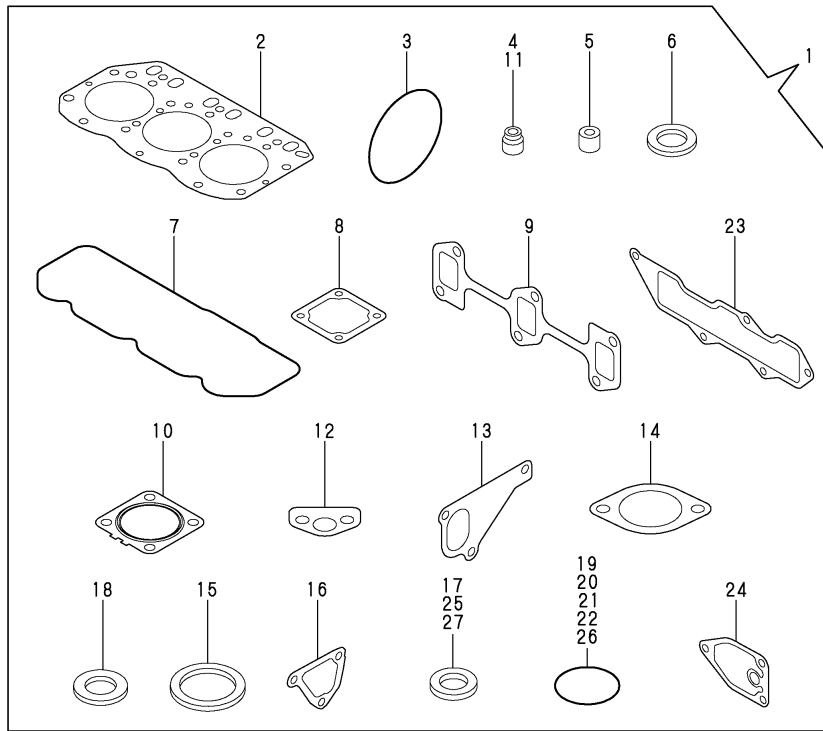
| No. | Lev. | Parts No. | Description | Q'ty | | | | | | I | R |
|--------------|------|--------------|---------------------|------|-----|-----|-----|-----|-----|---|-----|
| | | | | (A) | (B) | (C) | (D) | (E) | (F) | | |
| 1 | 1 | 119940-77330 | ADJUSTER | 1 | | | | | | | |
| 1-1 | 1 | 119802-77330 | ADJUSTER | 1 | | | | | | | S 1 |
| (A=E/#14586) | | | | | | | | | | | |
| 2 | 1 | 129423-77200 | GENERATOR, 12V-40A | 1 | | | | | | | |
| 3 | 2 | X9490561001 | NUT | 1 | | | | | | | |
| 4 | 2 | 119620-77380 | ROTOR ASSY | 1 | | | | | | | |
| 5-1 | 3 | 123501-79240 | BEARING, BALL | 1 | | | | | | | |
| 6 | 3 | 119620-79250 | COVER | 1 | | | | | | | |
| 7 | 2 | 119620-79360 | WASHER, THRUST | 1 | | | | | | | |
| 8 | 2 | 119620-77421 | FRAME ASSY, DRIVE | 1 | | | | | | | |
| 9 | 3 | 119620-79200 | BEARING, BALL | 1 | | | | | | | |
| 10 | 3 | 119620-79210 | PLATE, RETAINER | 1 | | | | | | | |
| 11 | 3 | 119620-79220 | SCREW | 4 | | | | | | | |
| 12 | 3 | 119620-79230 | STUD | 2 | | | | | | | |
| 13 | 2 | 119620-77440 | FRAME ASSY | 1 | | | | | | | |
| 14 | 2 | 129240-79300 | COVER | 1 | | | | | | | |
| 15 | 2 | 119620-77461 | PULLEY | 1 | | | | | | | |
| 16 | 2 | 119620-77471 | NUT | 1 | | | | | | | |
| 17 | 2 | 129423-77710 | REGULATOR ASSY | 1 | | | | | | | |
| 18 | 2 | 119620-79260 | HOLDER | 1 | | | | | | | |
| 19-1 | 2 | 129052-79270 | HOLDER, BRUSH | 1 | | | | | | | |
| 20 | 3 | 119620-77480 | BRUSH ASSY | 2 | | | | | | | |
| 21 | 3 | 119620-79280 | SPRING | 2 | | | | | | | |
| 22 | 2 | 119620-79290 | SCREW | 6 | | | | | | | |
| 23 | 2 | 119620-79300 | SCREW | 1 | | | | | | | |
| 24 | 2 | 119620-79310 | BOLT | 3 | | | | | | | |
| 25 | 2 | 119620-79320 | SCREW | 2 | | | | | | | |
| 26 | 2 | 119620-79330 | BOLT | 2 | | | | | | | |
| 27 | 2 | 119620-79340 | BUSH, INSULATION | 1 | | | | | | | |
| 28 | 2 | 119620-79350 | NUT | 2 | | | | | | | |
| 29 | 2 | 119620-77490 | COLLAR | 1 | | | | | | | |
| 30 | 2 | 119620-79360 | WASHER, THRUST | 1 | | | | | | | |
| 31 | 1 | 26306-100002 | NUT, M10 | 1 | | | | | | | |
| 32 | 1 | 129795-01900 | STUD | 1 | | | | | | | |
| 33 | 1 | 119802-77340 | BOLT, ADJUSTER | 1 | | | | | | | |
| 33-1 | 1 | 129972-77341 | BOLT, ADJUSTER L=50 | 1 | | | | | | | N |
| (A=E/#10915) | | | | | | | | | | | |
| 34 | 1 | 119940-77270 | SPACER, GENERATOR | 1 | | | | | | | |
| 35 | 1 | 26106-080452 | BOLT, M8X 45 PLATED | 1 | | | | | | | |

Remarks
(1)INTERCHANGEABLE BY SIMULTANEOUS REPLACEMENT WITH REF.NO.1-1, FIG.10 NO.21-1.

Fig.17. GASKET SET & TOOLS

(A)=3TNV88-XBV
(B)=
(C)=

(D)=
(E)=
(F)=



| No. | Lev. | Parts No. | Description | Q'ty | | | | | | I | R |
|-----|------|--------------|--------------------|------|-----|-----|-----|-----|-----|---|---|
| | | | | (A) | (B) | (C) | (D) | (E) | (F) | | |
| 1 | 1 | 729001-92680 | GASKET SET | 1 | | | | | | | 1 |
| 2 | 2 | 129001-01340 | GASKET, HEAD | 1 | | | | | | | |
| 3 | 2 | 121850-51960 | O-RING | 1 | | | | | | | |
| 4 | 2 | 124460-11340 | SEAL, VALVE STEM | 3 | | | | | | | |
| 5 | 2 | 119802-11870 | PROTECTOR, NOZZLE | 3 | | | | | | | |
| 6 | 2 | 119625-11880 | SEAT, NOZZLE | 3 | | | | | | | |
| 7 | 2 | 129004-11310 | GASKET, BONNET | 1 | | | | | | | |
| 8 | 2 | 129150-77511 | GASKET | 1 | | | | | | | |
| 9 | 2 | 129150-13110 | GASKET | 1 | | | | | | | |
| 10 | 2 | 129004-13200 | GASKET, SILENCER | 3 | | | | | | | |
| 11 | 2 | 121400-11340 | SEAL, VALVE STEM | 3 | | | | | | | |
| 12 | 2 | 129150-35041 | GASKET | 1 | | | | | | | |
| 13 | 2 | 129486-42021 | GASKET, WATER PUMP | 1 | | | | | | | |
| 14 | 2 | 129795-49551 | GASKET | 1 | | | | | | | |
| 15 | 2 | 129150-49811 | GASKET, THERMOSTAT | 1 | | | | | | | |
| 16 | 2 | 124395-49840 | GASKET | 1 | | | | | | | |
| 17 | 2 | 22190-080002 | WASHER, SEAL 6 | 2 | | | | | | | |
| 18 | 2 | 124465-44950 | GASKET, 16 | 2 | | | | | | | |
| 19 | 2 | 24311-000120 | O-RING, 1AP12.0 | 3 | | | | | | | |
| 20 | 2 | 24311-000320 | O-RING, 1AP32.0 | 2 | | | | | | | |
| 21 | 2 | 24341-000240 | O-RING, 1AS24.0 | 1 | | | | | | | |
| 22 | 2 | 129486-42140 | O-RING, G30 | 1 | | | | | | | |
| 23 | 2 | 129001-12110 | GASKET, MANIFOLD | 1 | | | | | | | |
| 24 | 2 | 129150-35111 | GASKET | 1 | | | | | | | |
| 25 | 2 | 22190-220002 | WASHER, SEAL 22 | 1 | | | | | | | |
| 26 | 2 | 119609-32040 | O-RING, P16 | 4 | | | | | | | |
| 27 | 2 | 22190-100002 | WASHER, SEAL 10 | 2 | | | | | | | |
| 28 | 1 | 129400-92420 | HONE | 1 | | | | | | | 1 |
| 29 | 1 | 977770-1207F | GASKET.LIQUID | 1 | | | | | | | 1 |

Remarks
(1)OPTIONAL PART.

Parts No. Index

| Parts No. | Fig. No. | Ref. No. |
|--------------|----------|----------|
| 105025-59580 | 14 | 6 |
| 114250-39450 | 9 | 9 |
| 114250-53080 | 13 | 5 |
| 114250-53120 | 13 | 10 |
| 114250-53130 | 13 | 11 |
| 114250-53140 | 13 | 12 |
| 114250-53210 | 13 | 13 |
| 114250-53400 | 13 | 14 |
| 119131-18320 | 6 | 3 |
| 119233-77932 | 12 | 91 |
| 119305-59120 | 13 | 26 |
| 119593-59580 | 13 | 54 |
| 119593-59581 | 13 | 54 -1 |
| 119609-32040 | 2 | 17 |
| | 17 | 26 |
| 119620-01750 | 3 | 3 |
| 119620-77380 | 16 | 4 |
| 119620-77421 | 16 | 8 |
| 119620-77440 | 16 | 13 |
| 119620-77461 | 16 | 15 |
| 119620-77471 | 16 | 16 |
| 119620-77480 | 16 | 20 |
| 119620-77490 | 16 | 29 |
| 119620-79200 | 16 | 9 |
| 119620-79210 | 16 | 10 |
| 119620-79220 | 16 | 11 |
| 119620-79230 | 16 | 12 |
| 119620-79250 | 16 | 6 |
| 119620-79260 | 16 | 18 |
| 119620-79280 | 16 | 21 |
| 119620-79290 | 16 | 22 |
| 119620-79300 | 16 | 23 |
| 119620-79310 | 16 | 24 |
| 119620-79320 | 16 | 25 |
| 119620-79330 | 16 | 26 |
| 119620-79340 | 16 | 27 |
| 119620-79350 | 16 | 28 |
| 119620-79360 | 16 | 7 |
| | | 30 |
| 119625-11880 | 4 | 32 |
| | 17 | 6 |
| 119640-01640 | 3 | 9 |
| 119660-61901 | 12 | 55 |
| 119802-01520 | 2 | 12 |
| 119802-01560 | 2 | 13 |
| 119802-01561 | 2 | 13 -1 |
| 119802-03110 | 4 | 43 |
| 119802-03121 | 4 | 44 |
| 119802-03130 | 4 | 45 |
| 119802-03141 | 4 | 46 |

| Parts No. | Fig. No. | Ref. No. |
|--------------|----------|----------|
| 119802-11260 | 4 | 6 |
| 119802-11270 | 4 | 7 |
| 119802-11280 | 4 | 8 |
| 119802-11870 | 4 | 31 |
| | 17 | 5 |
| 119802-25051 | 7 | 10 |
| 119802-25070 | 7 | 14 |
| 119802-25100 | 7 | 11 |
| 119802-25901 | 7 | 16 |
| 119802-32070 | 2 | 8 |
| 119802-32100 | 2 | 7 |
| 119802-32111 | 2 | 18 |
| 119802-32120 | 2 | 19 |
| 119802-32130 | 2 | 20 |
| 119802-35110 | 9 | 21 |
| 119802-39450 | 9 | 11 |
| 119802-49730 | 10 | 37 |
| 119802-51090 | 11 | 102 |
| 119802-51250 | 11 | 120 |
| 119802-51560 | 11 | 79 |
| 119802-51590 | 11 | 92 |
| 119802-51600 | 11 | 93 |
| 119802-51680 | 11 | 95 |
| 119802-51690 | 11 | 96 |
| 119802-55800 | 14 | 2 |
| 119802-59550 | 13 | 48 |
| 119802-59560 | 13 | 50 |
| 119802-77330 | 16 | 1 -1 |
| 119802-77340 | 16 | 33 |
| 119807-61420 | 12 | 22 |
| 119865-21600 | 8 | 15 |
| 119940-07900 | 4 | 55 |
| 119940-77270 | 16 | 34 |
| 119940-77330 | 16 | 1 |
| 120130-11860 | 4 | 19 |
| 120270-54410 | 4 | 34 |
| 121023-01550 | 2 | 28 |
| 121023-01551 | 2 | 28 -1 |
| 121111-21501 | 8 | 12 |
| 121250-44901 | 10 | 32 |
| 121400-11340 | 4 | 28 |
| | 17 | 11 |
| 121520-34810 | 9 | 2 |
| 121550-23200 | 8 | 29 |
| 121850-21680 | 8 | 11 |
| 121850-42410 | 10 | 8 |
| 121850-51960 | 2 | 21 |
| | 17 | 3 |
| 123501-79240 | 16 | 5 -1 |
| 123900-13610 | 6 | 5 |

| Parts No. | Fig. No. | Ref. No. |
|--------------|----------|----------|
| 123900-13630 | 6 | 4 |
| 124060-01050 | 1 | 5 |
| 124066-59100 | 13 | 47 |
| 124101-49531 | 10 | 27 |
| 124160-01751 | 2 | 14 |
| | 4 | 39 |
| 124160-01910 | 1 | 7 |
| | | 8 |
| 124160-11360 | 4 | 52 |
| 124160-39140 | 9 | 10 |
| 124240-01871 | 2 | 15 |
| 124395-49840 | 10 | 17 |
| | 17 | 16 |
| 124460-11340 | 4 | 29 |
| | 17 | 4 |
| 124465-44950 | 10 | 33 |
| | 17 | 18 |
| 124722-59050 | 10 | 38 |
| | | 41 |
| | 13 | 49 |
| | | 52 |
| 124766-59050 | 14 | 5 |
| | | 8 |
| 129001-01250 | 1 | 6 |
| 129001-01340 | 1 | 32 |
| | 17 | 2 |
| 129001-02930 | 1 | 25 |
| 129001-12110 | 5 | 5 |
| | 17 | 23 |
| 129001-32330 | 2 | 11 |
| 129001-91841 | 2 | 22 |
| 129002-21590 | 8 | 13 |
| 129004-03010 | 4 | 41 |
| 129004-03080 | 5 | 1 |
| 129004-11101 | 4 | 24 |
| 129004-11130 | 4 | 24 -1 |
| 129004-11241 | 4 | 3 |
| 129004-11251 | 4 | 4 |
| 129004-11310 | 4 | 49 |
| | 17 | 7 |
| 129004-11350 | 4 | 40 |
| 129004-11650 | 4 | 10 |
| 129004-11700 | 4 | 15 |
| 129004-11900 | 4 | 33 |
| 129004-12100 | 5 | 3 |
| 129004-13200 | 17 | 10 |
| 129004-21002 | 8 | 1 |
| 129004-21650 | 8 | 9 |
| 129004-34802 | 9 | 1 |
| 129004-42001 | 10 | 1 |

| Parts No. | Fig. No. | Ref. No. |
|--------------|----------|----------|
| 129004-42040 | 10 | 15 |
| 129004-49610 | 10 | 35 |
| 129004-49620 | 10 | 39 |
| 129004-49711 | 10 | 36 |
| 129004-49721 | 10 | 40 |
| 129004-53001 | 13 | 2 |
| 129004-55610 | 14 | 1 |
| 129004-55611 | 14 | 1 -1 |
| 129004-59810 | 13 | 35 |
| 129004-59811 | 13 | 35 -1 |
| 129004-59820 | 13 | 39 |
| 129004-59821 | 13 | 39 -1 |
| 129004-59830 | 13 | 43 |
| 129004-59831 | 13 | 43 -1 |
| 129005-22080 | 8 | 16 |
| 129005-22500 | 8 | 18 |
| 129005-22900 | 8 | 34 |
| 129005-22950 | 8 | 36 |
| 129005-59830 | 9 | 12 |
| 129006-35100 | 9 | 20 |
| 129006-49040 | 9 | 28 |
| 129052-79270 | 16 | 19 -1 |
| 129100-01580 | 3 | 1 |
| | | 15 |
| | 8 | 2 |
| 129100-01640 | 3 | 16 |
| 129100-01730 | 3 | 6 |
| 129100-11111 | 4 | 25 |
| 129100-11112 | 4 | 25 -1 |
| 129100-13110 | 6 | 1 |
| 129100-23910 | 8 | 28 |
| 129100-35301 | 9 | 27 |
| 129100-42051 | 10 | 3 |
| 129100-42121 | 10 | 4 |
| 129103-49301 | 9 | 33 |
| 129120-77501 | 5 | 8 |
| 129122-44480 | 9 | 25 |
| 129129-14580 | 7 | 3 |
| 129136-01780 | 3 | 8 |
| 129150-01200 | 1 | 31 |
| 129150-01650 | 3 | 17 |
| 129150-02020 | 1 | 10 |
| 129150-02450 | 7 | 4 |
| 129150-02870 | 1 | 33 |
| 129150-02930 | 1 | 28 |
| 129150-02940 | 1 | 36 |
| 129150-03070 | 4 | 42 |
| 129150-11230 | 4 | 11 |
| 129150-11280 | 4 | 9 |
| 129150-11370 | 4 | 14 |

Parts No. Index

| Parts No. | Fig. No. | Ref. No. |
|--------------|----------|----------|
| 129150-11750 | 4 | 13 |
| 129150-11810 | 4 | 21 |
| 129150-13110 | 6 | 2 |
| | 17 | 9 |
| 129150-14101 | 7 | 7 |
| 129150-14200 | 7 | 1 |
| 129150-14400 | 7 | 2 |
| 129150-23600 | 8 | 30 |
| 129150-23610 | 8 | 32 |
| 129150-25301 | 7 | 15 |
| 129150-35041 | 17 | 12 |
| 129150-35042 | 9 | 3 |
| 129150-35111 | 9 | 23 |
| | 17 | 24 |
| 129150-35170 | 9 | 24 |
| 129150-49360 | 10 | 34 |
| 129150-49811 | 10 | 26 |
| | 17 | 15 |
| 129150-59120 | 13 | 26 -1 |
| | | 30 |
| 129150-59131 | 13 | 29 |
| | | 29 -1 |
| | | 33 |
| 129150-77511 | 5 | 9 |
| | 17 | 8 |
| 129155-49801 | 10 | 25 |
| 129155-51280 | 12 | 5 |
| 129155-61460 | 12 | 24 |
| 129202-22300 | 8 | 22 |
| 129210-59100 | 14 | 4 |
| 129210-59230 | 14 | 7 |
| 129211-42290 | 10 | 21 -1 |
| 129240-79300 | 16 | 14 |
| 129255-61410 | 12 | 21 |
| 129400-77012 | 15 | 1 |
| 129400-77441 | 15 | 5 |
| 129400-77520 | 15 | 12 |
| 129400-77531 | 15 | 13 |
| 129400-77571 | 15 | 17 |
| 129400-92420 | 17 | 28 |
| 129410-03990 | 5 | 2 |
| 129417-33110 | 9 | 19 |
| 129417-35150 | 9 | 22 |
| 129418-32320 | 2 | 10 |
| 129423-77200 | 16 | 2 |
| 129423-77710 | 16 | 17 |
| 129486-01670 | 3 | 19 |
| 129486-42021 | 10 | 14 |
| | 17 | 13 |
| 129486-42140 | 10 | 16 |

| Parts No. | Fig. No. | Ref. No. |
|--------------|----------|----------|
| 129486-42140 | 17 | 22 |
| 129486-59510 | 13 | 53 |
| 129486-59551 | 13 | 51 |
| 129486-77400 | 15 | 2 |
| 129486-77460 | 15 | 6 |
| | | 8 |
| 129486-77470 | 15 | 7 |
| 129486-77490 | 15 | 9 |
| 129508-33010 | 9 | 18 |
| 129508-33050 | 9 | 18 A |
| 129508-49030 | 9 | 4 |
| 129550-42350 | 10 | 20 |
| 129555-59511 | 14 | 9 |
| 129612-01600 | 3 | 2 |
| 129642-49180 | 9 | 29 |
| 129642-61060 | 12 | 92 |
| 129795-01780 | 3 | 18 |
| 129795-01800 | 2 | 6 |
| 129795-01900 | 16 | 32 |
| 129795-01950 | 2 | 16 |
| 129795-02411 | 1 | 13 |
| 129795-11120 | 4 | 26 |
| 129795-11180 | 4 | 27 |
| 129795-21661 | 8 | 10 |
| 129795-49551 | 10 | 28 |
| | 17 | 14 |
| 129900-07900 | 4 | 1 |
| 129900-32130 | 2 | 9 |
| 129900-77460 | 15 | 10 |
| 129900-77640 | 15 | 18 |
| 129916-59020 | 11 | 118 |
| 129972-77341 | 16 | 33 -1 |
| 158552-51151 | 7 | 18 |
| 158552-51570 | 11 | 67 |
| | | 68 |
| 158552-51580 | 11 | 70 |
| 158552-51600 | 11 | 89 |
| 158552-51670 | 11 | 116 |
| 158552-51780 | 11 | 27 |
| 158552-52100 | 11 | 85 |
| 158552-52310 | 11 | 88 |
| 158552-52400 | 11 | 111 |
| 158552-52500 | 11 | 85 A |
| 158552-61441 | 12 | 23 |
| 158552-61900 | 12 | 77 -1 |
| 158553-51551 | 11 | 78 |
| 158553-51630 | 11 | 72 |
| 158553-51640 | 11 | 74 |
| 158553-51660 | 11 | 76 |
| 158553-51670 | 11 | 94 |

| Parts No. | Fig. No. | Ref. No. |
|--------------|----------|----------|
| 158553-51680 | 11 | 77 |
| 158553-51770 | 11 | 91 -1 |
| 158553-61050 | 12 | 2 |
| 158553-61070 | 12 | 3 |
| 158560-51300 | 11 | 57 |
| 158563-51281 | 11 | 55 |
| | | 56 |
| 158563-51330 | 11 | 65 |
| 158600-51270 | 11 | 38 |
| 158601-51340 | 11 | 66 |
| 158601-51550 | 11 | 71 |
| 158601-51570 | 11 | 80 |
| 158601-51650 | 11 | 75 |
| 158601-51770 | 11 | 26 |
| 158601-51790 | 11 | 28 |
| 171008-03990 | 9 | 5 |
| 171008-77410 | 15 | 3 |
| 171008-77420 | 15 | 4 |
| 171008-77510 | 15 | 11 |
| 171008-77540 | 15 | 14 |
| 171008-77650 | 15 | 19 |
| 171008-77660 | 15 | 20 |
| 171008-77670 | 15 | 21 |
| 171031-11741 | 2 | 31 |
| 171051-01921 | 1 | 9 |
| 171056-49351 | 10 | 31 |
| 171340-44740 | 10 | 22 |
| 22190-080002 | 9 | 14 |
| | | 15 |
| | 17 | 17 |
| 22190-100002 | 9 | 16 |
| | 17 | 27 |
| 22190-120000 | 12 | 59 |
| 22190-120002 | 11 | 29 |
| | | 86 |
| | | 87 |
| 22190-180002 | 11 | 30 |
| | | 90 |
| 22190-220002 | 3 | 11 |
| | 17 | 25 |
| 22217-140000 | 7 | 19 |
| 22252-000260 | 8 | 23 |
| 22312-050140 | 11 | 99 |
| 22351-030010 | 8 | 8 |
| 22351-050010 | 11 | 100 |
| 22351-060012 | 4 | 35 |
| 22512-070140 | 7 | 8 |
| 22857-500100 | 4 | 50 |
| | | 51 |
| 23080-015000 | 9 | 7 |

| Parts No. | Fig. No. | Ref. No. |
|--------------|----------|----------|
| 23080-015000 | 9 | 31 |
| 23080-018000 | 9 | 32 |
| 23414-080000 | 10 | 30 |
| 23857-030000 | 9 | 13 |
| 23857-060000 | 11 | 103 |
| 23876-010000 | 10 | 11 |
| 23876-020000 | 10 | 12 |
| 23876-030000 | 2 | 4 |
| 23876-040000 | 2 | 5 |
| 23887-120002 | 11 | 31 |
| | 12 | 61 |
| 24311-000070 | 11 | 107 |
| 24311-000120 | 4 | 53 |
| | 17 | 19 |
| 24311-000320 | 2 | 23 |
| | | 32 |
| | 4 | 54 |
| | 17 | 20 |
| 24341-000240 | 2 | 29 |
| | 17 | 21 |
| 24341-000280 | 12 | 77 |
| 24356-010180 | 11 | 113 |
| 24356-010200 | 11 | 97 |
| | | 104 |
| 24372-000150 | 11 | 98 |
| 25132-003800 | 10 | 21 |
| 26106-060102 | 11 | 112 |
| | 12 | 63 |
| 26106-060142 | 12 | 78 |
| | | 79 |
| 26106-060162 | 2 | 30 |
| 26106-060202 | 12 | 80 |
| 26106-060322 | 15 | 28 |
| 26106-060352 | 11 | 91 |
| 26106-060402 | 15 | 29 |
| 26106-080122 | 10 | 24 |
| 26106-080142 | 4 | 2 |
| | 7 | 9 |
| 26106-080162 | 2 | 24 |
| | | 25 |
| | 3 | 12 |
| | 10 | 18 |
| | 11 | 121 |
| 26106-080202 | 5 | 6 |
| | 9 | 26 |
| | 11 | 122 |
| 26106-080252 | 3 | 13 |
| | 4 | 36 |
| | 10 | 23 |
| 26106-080302 | 14 | 3 |

Parts No. Index

| Parts No. | Fig. No. | Ref. No. |
|--------------|----------|----------|
| 26106-080352 | 3 | 20 |
| | 4 | 37 |
| | 5 | 10 |
| | 9 | 8 |
| 26106-080402 | 7 | 17 |
| 26106-080452 | 3 | 14 |
| | | 14 -1 |
| | 10 | 42 |
| | 16 | 35 |
| 26106-080502 | 3 | 21 |
| | 4 | 38 |
| 26106-080552 | 2 | 26 |
| 26106-080602 | 10 | 19 |
| 26106-080652 | 10 | 29 |
| 26106-080802 | 5 | 7 |
| 26116-120252 | 15 | 30 |
| 26206-100252 | 3 | 4 |
| 26206-100302 | 3 | 5 |
| 26306-080002 | 2 | 27 |
| | 6 | 6 |
| 26306-100002 | 16 | 31 |
| 26366-060002 | 9 | 17 |
| 26450-080452 | 11 | 110 |
| 26756-060002 | 12 | 64 |
| 26776-140002 | 7 | 20 |
| 27241-120000 | 1 | 14 |
| 27241-300000 | 1 | 15 |
| 27241-400000 | 4 | 23 |
| 27310-080000 | 4 | 30 |
| 719802-01500 | 2 | 1 |
| 729001-92680 | 17 | 1 |
| 729005-01560 | 1 | 1 |
| 729242-51310 | 11 | 1 |
| 729245-53100 | 13 | 1 |
| 729402-23100 | 8 | 24 |
| 977770-1207F | 17 | 29 |
| X2114555500 | 15 | 25 |
| X2114955020 | 15 | 26 |
| X2240410100 | 15 | 27 |
| X9490561001 | 16 | 3 |

| Parts No. | Fig. No. | Ref. No. |
|-----------|----------|----------|
|-----------|----------|----------|

| Parts No. | Fig. No. | Ref. No. |
|-----------|----------|----------|
|-----------|----------|----------|

| Parts No. | Fig. No. | Ref. No. |
|-----------|----------|----------|
|-----------|----------|----------|