

0CB10-M70901EN

Directions for the Parts Catalog.

1. This Parts Catalog shows both standard and optional parts.
2. Parts may change without prior notice.
3. The following is an example of the Parts Catalog format.

REF.	LEV.	PARTS NO.	DESCRIPTION	Q'TY						I	R
				(A)	(B)	(C)	(D)	(E)	(F)		
1	1	729595-51390	FUEL INJECTION PUMP	1	1	1	1	1			1
1-1	1	729595-51391	FUEL INJECTION PUMP	1	1	1	1	1		N	1
		(A=E00185) (B=E00200)									
3	2	26022-060162	SCREW M 6X 16	9	9	9	9	9			
3-1	2	26022-060162	SCREW M 6X 16	4	4	4	4	4		K	
		(A=E00156) (B=E00156) (C=E00156) (D=E00156) (E=E00156)									
4	2	129470-51040	CAMSHAFT	1	1	1	1	1			
5	2	122710-51050	BEARING, ROLLER	2	2	2	2	2			
6	2	129470-51060	RETAINER	1	1	1	1	1			

Remarks
(1) BOOST COMPEMSATOR TYPE. OPTIONAL PART, TO E00155,(4JH-DT, 4JH-DTZ

① Ref. No.

The Ref. No. listed may not be in accordance with the illustration Ref. No.

(Ex.) Illustration No.

List Ref No.

1

1

(Before change)

1-1

(After change)

For interchangeable symbols N, R and K, illustrations for new parts may be abbreviated.

② Lev. (Level)

Level indication

The numbers below indicate the level of relativity towards the main part.

1 ----- Main parts (Assembly parts)

2 ----- Sub component included in " 1 ".

3 ----- Sub component included in " 2 ".

Note) Parts that are not for sale are partially illustrated but not listed.

③ Interchangeability Symbol

When a part change takes place, one of the following interchangeability symbols is indicated beside the part.

Symbol	Interchangeability	Contents note
N	Old $\begin{matrix} \leftarrow \text{Yes} \\ \text{No} \rightarrow \end{matrix}$ New	New Part is interchangeable for Old Part but Old Part is not interchangeable for New Part.
Q	Old $\begin{matrix} \leftarrow \text{No} \\ \text{Yes} \rightarrow \end{matrix}$ New	New Part is not interchangeable for Old Part but Old Part is interchangeable for New Part.
R	Old $\begin{matrix} \leftarrow \text{Yes} \\ \text{Yes} \rightarrow \end{matrix}$ New	New/ Old Parts are both interchangeable.
S	Old $\begin{matrix} \leftarrow \text{No} \\ \text{No} \rightarrow \end{matrix}$ New	New/ Old Parts are both not interchangeable.
W		Part newly added.
Z		Part discontinued.
F		Not interchangeable by a single part but interchangeable together with related parts.
K		Changes only for used parts quantities.

④ Effective Machine No.

When a part changes, the effective Machine No. will be indicated in the (A)-(F) column.

Product Symbol	Product No.	Product Symbol	Product No.
C	Clutch No. Compressor No.	F	Machine No. (Agricultural Equip.)
D	Drive No.	M	Machine No.
E	Engine No.		

Note 1) A date may follow the symbol. (Ex.) 1996.01

Note 2) "XXXXX" and "ZZZZZ" are for parts that could not be predicted or for engine models that could not be identified.

Note 3) (A=E00185) is the E (Engine Serial Number) for the column (A) model (in this case 4JH-DT) after the parts design change.

⑤ Remarks

Figures or alphabets (symbols) are entered in the remarks column.

The comments (remarks) on parts that are indicated at the bottom of the illustration are the same symbols as those stated above.

Contents

0CB10-M70901

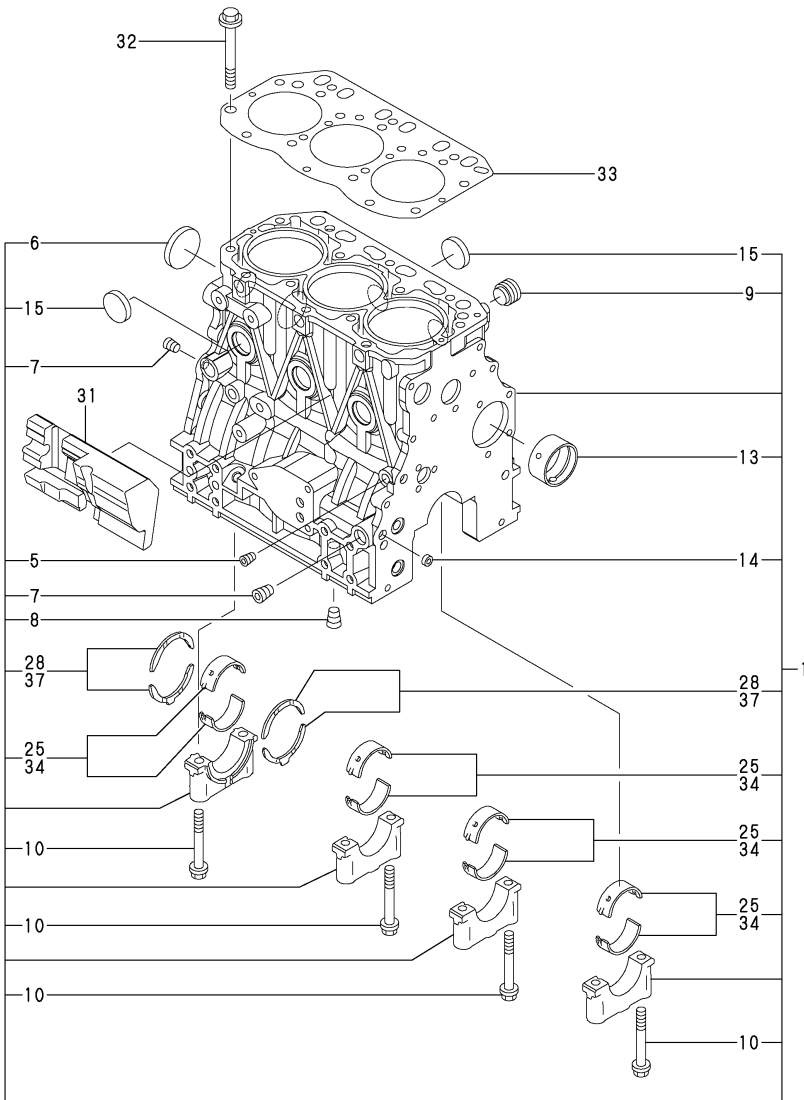
Fig. No. Fig. Name

3TNV84-XKAH

1. CYLINDER BLOCK
2. GEAR HOUSING
3. MOUNTING FLANGE & L.O. SUMP
4. CYLINDER HEAD & BONNET
5. SUCTION MANIFOLD
6. EXHAUST MANIFOLD
7. CAMSHAFT & DRIVING GEAR
8. CRANKSHAFT & PISTON
9. LUB.OIL SYSTEM
10. COOLING WATER SYSTEM
11. FUEL INJECTION PUMP
12. GOVERNOR
13. FUEL INJECTION VALVE
14. FUEL LINE
15. STARTING MOTOR
16. GENERATOR
17. GASKET SET & TOOLS

Fig. No. Fig. Name

Fig.1. CYLINDER BLOCK



(A)=3TNV84-XKAH
(B)=
(C)=

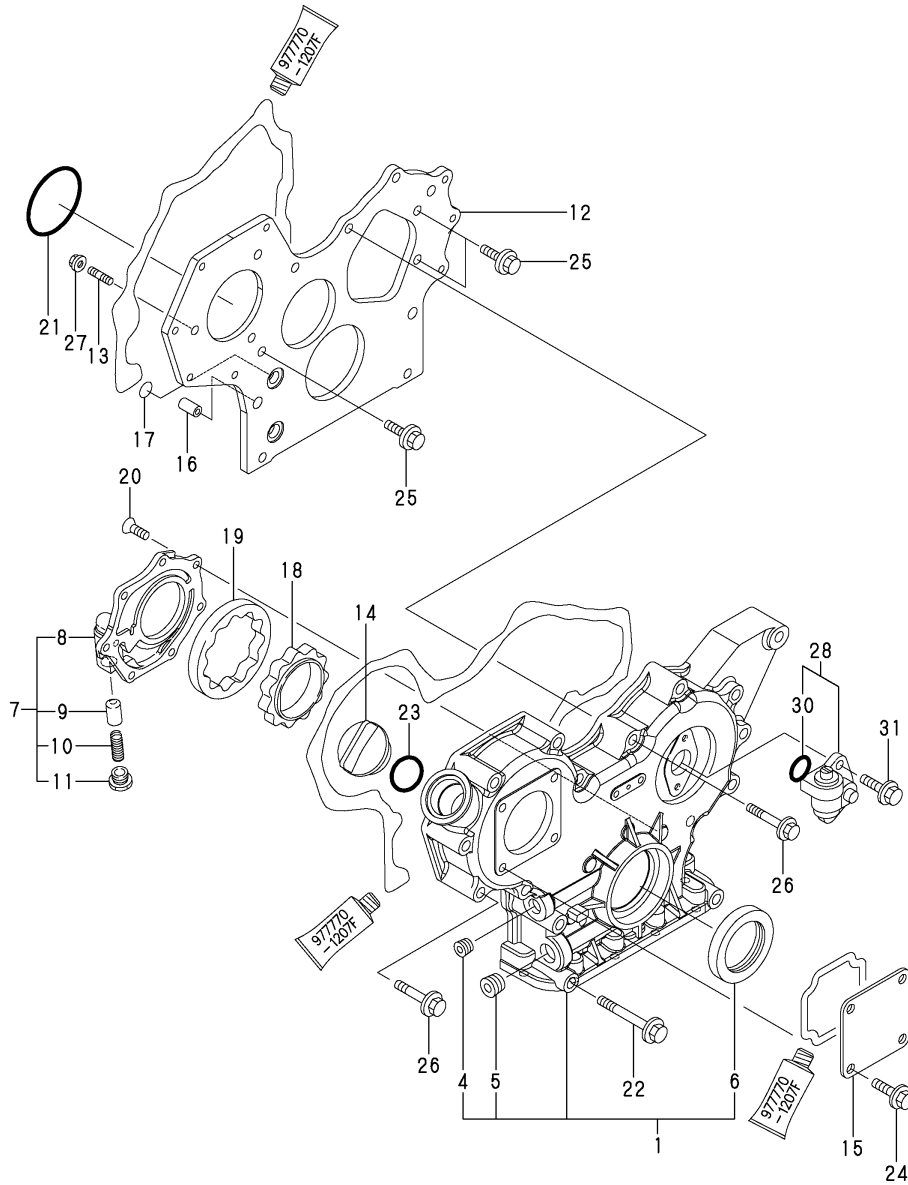
(D)=
(E)=
(F)=

No.	Lev.	Parts No.	Description	Q'ty						I	R
				(A)	(B)	(C)	(D)	(E)	(F)		
1	1	729004-01560	BLOCK ASSY, CYLINDER	1							
5	3	124060-01050	PLUG, PT1/8	1							
6	3	129001-01250	PLUG, 50	1							
7	3	124160-01910	PLUG, PT1/4	2							
8	3	124160-01910	PLUG, PT1/4	1							
9	3	171051-01921	PLUG, NPTF1	1							
10	3	129150-02020	BOLT, METAL CAP	8							
13	3	129795-02411	BUSH, CAMSHAFT	1							
14	3	27241-120000	PLUG, 12	2							
15	3	27241-300000	PLUG 30	6							
25	2	129001-02930	BEARING, MAIN	4							3
28	2	129150-02930	BEARING, THRUST	2							
31	1	129004-01190	SPACER	1							
32	1	129150-01200	BOLT, HEAD	14							
33	1	129002-01331	GASKET, HEAD	1							
34	1	129150-02870	BEARING, 0.25 US	4							1
37	1	129150-02940	BEARING, THRUST 0.25	1							2

Remarks

- (1) UNDER SIZED (U.S.=0.25) PART.
- (2) OVER SIZED (O.S.=0.25) PART.
- (3) REPAIR PART.

Fig.2. GEAR HOUSING

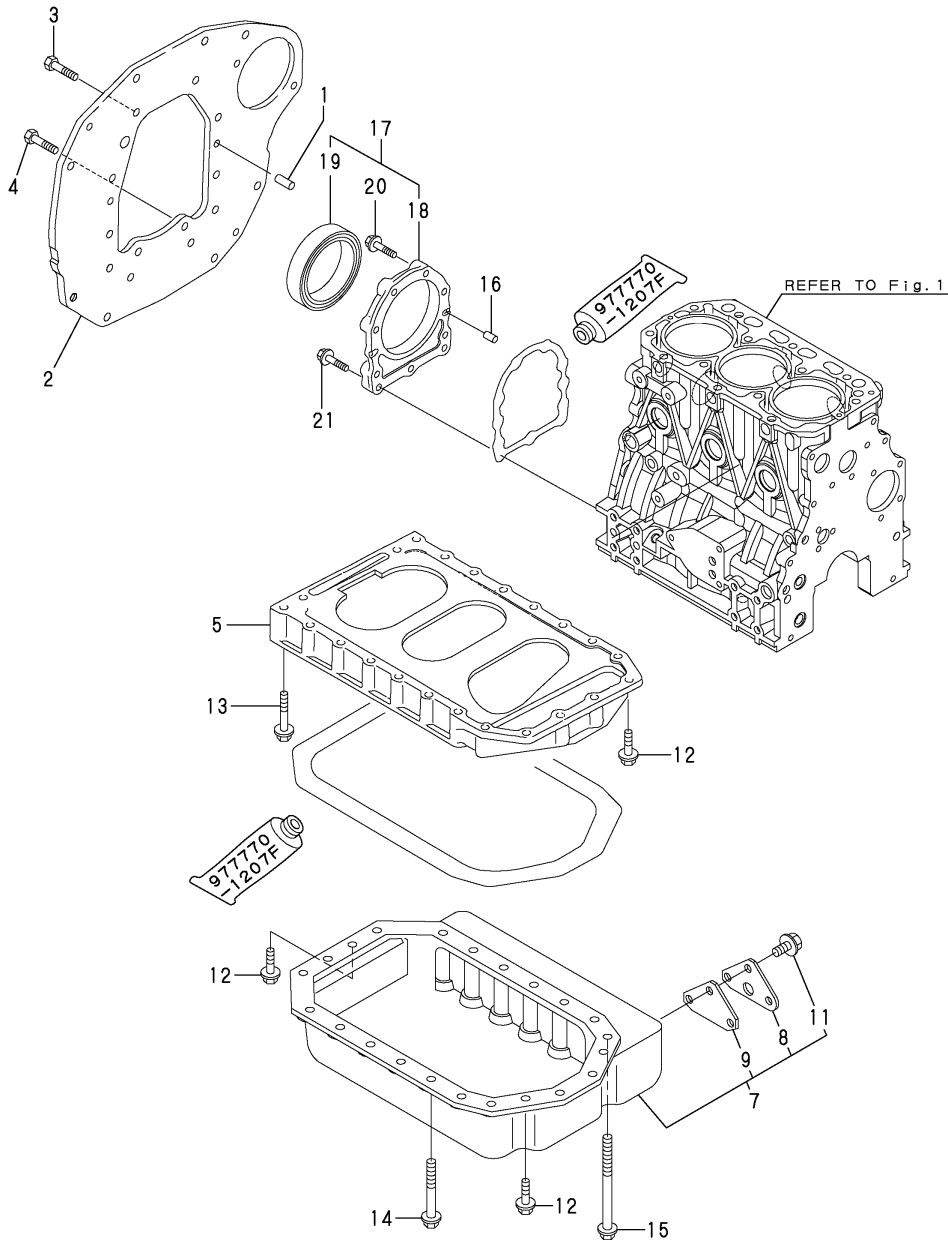


(A)=3TNV84-XKAH
(B)=
(C)=

(D)=
(E)=
(F)=

No.	Lev.	Parts No.	Description	Q'ty						I	R
				(A)	(B)	(C)	(D)	(E)	(F)		
1	1	719802-01500	CASE ASSY, GEAR	1							
4	2	23876-030000	PLUG, R03	1							
5	2	23876-040000	PLUG, R04	1							
6	2	129795-01800	SEAL, OIL	1							
7	1	119802-32100	COVER ASSY	1							
8	2	119802-32070	COVER	1							
9	2	129900-32130	VALVE, RELIEF	1							
10	2	129418-32320	SPRING	1							
11	2	129001-32330	PLUG	1							
12	1	119802-01520	FLANGE, GEAR CASE	1							
13	1	119802-01560	STUD, M8X25	3							
14	1	124160-01751	COVER, FILLER	1							
15	1	124240-01871	COVER	1							
16	1	129795-01950	PIPE, KNOCK L=18	2							
17	1	119609-32040	O-RING, P16	4							
18	1	119802-32111	ROTOR, INNER	1							
19	1	119802-32120	ROTOR, OUTER	1							
20	1	119802-32130	SCREW, M6X16	7							
21	1	121850-51960	O-RING	1							
22	1	129001-91841	BOLT, M8X85	3							
23	1	24311-000320	O-RING, 1AP32.0	1							
24	1	26106-080162	BOLT, M8X 16 PLATED	4							
25	1	26106-080162	BOLT, M8X 16 PLATED	3							
26	1	26106-080552	BOLT, M8X 55 PLATED	12							
27	1	26306-080002	NUT, M8	3							
28	1	129150-91400	GEAR	1							
30	2	24341-000240	O-RING, 1AS24.0	1							
31	1	26106-060162	BOLT, M6X 16 PLATED	2							

Fig.3. MOUNTING FLANGE & L.O. SUMP



(A)=3TNV84-XKAH
(B)=
(C)=

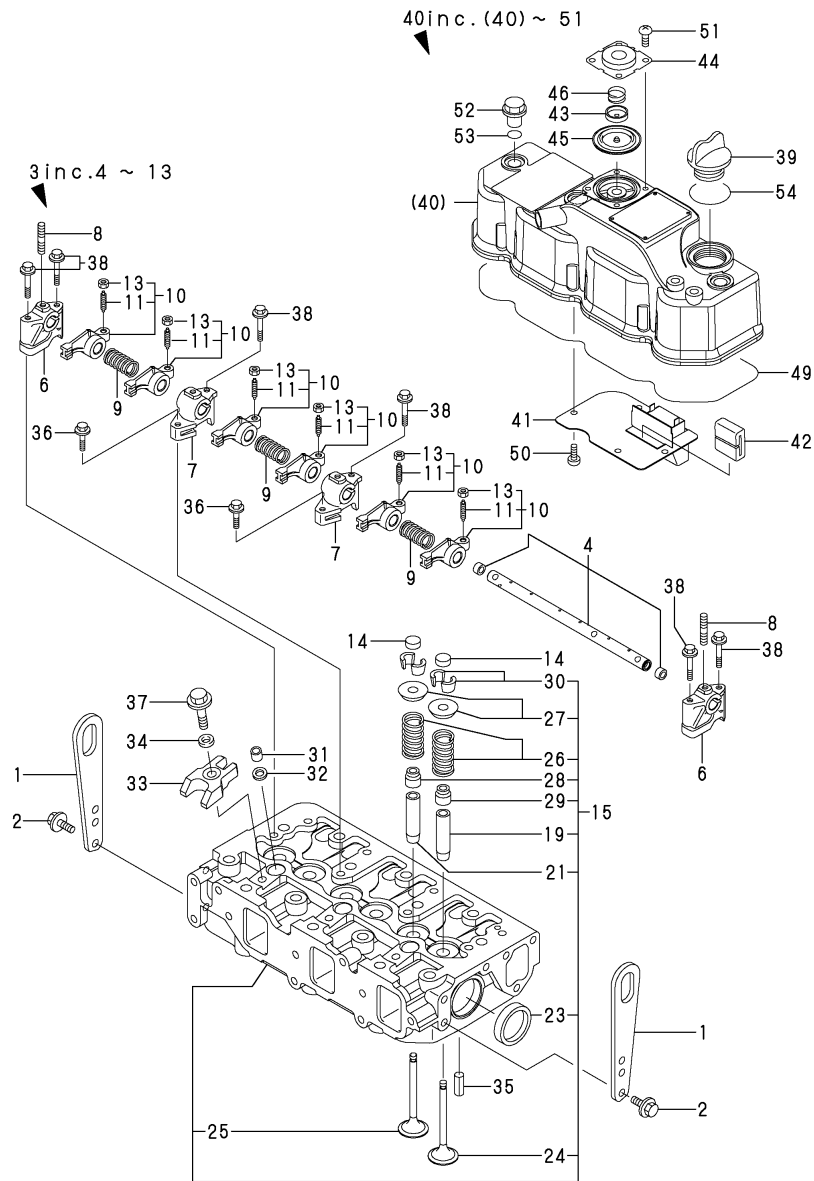
(D)=
(E)=
(F)=

No.	Lev.	Parts No.	Description	Qty						I	R
				(A)	(B)	(C)	(D)	(E)	(F)		
1	1	129100-01580	PIN, M8X16	2							
2	1	129150-01600	FLANGE, MOUNTING	1							
3	1	26206-100202	BOLT, M10X 20 PLATED	6							
4	1	26206-100252	BOLT, M10X 25 PLATED	4							
5	1	129100-01730	SPACER, OIL SUMP	1							
7	1	129135-01770	SUMP ASSY, OIL	1							
8	2	171058-01630	COVER	1							
9	2	171058-01641	GASKET	1							
11	2	26106-080162	BOLT, M8X 16 PLATED	3							
12	1	26106-080252	BOLT, M8X 25 PLATED	6							
13	1	26106-080452	BOLT, M8X 45 PLATED	2							
14	1	26106-080602	BOLT, M8X 60 PLATED	11							
15	1	129001-91870	BOLT, M8X100	7							
16	1	129100-01580	PIN, M8X16	2							
17	1	129100-01640	CASE ASSY, OIL SEAL	1							
18	2	129150-01650	CASE, OIL SEAL	1							
19	2	129795-01780	SEAL, OIL	1							
20	1	129486-01670	BOLT, M8X30	6							
21	1	26106-080352	BOLT, M8X 35 PLATED	3							

Fig.4. CYLINDER HEAD & BONNET

(A)=3TNV84-XKAH
(B)=
(C)=

(D)=
(E)=
(F)=



No.	Lev.	Parts No.	Description	Q'ty						I	R
				(A)	(B)	(C)	(D)	(E)	(F)		
1	1	129900-07900	LIFTER	2							
2	1	26106-080142	BOLT, M8X 14 PLATED	4							
2-1	1	26106-080162	BOLT, M8X 16 PLATED	4							N
(A=E/#15032)											
3	1	129004-11241	SHAFT ASSY, ROCKER	1							
4	2	129004-11251	SHAFT, ROCKER ARM	1							
6	2	119802-11260	SUPPORT, ROCKER ARM	2							
7	2	119802-11270	SUPPORT, ROCKER ARM	2							
8	2	119802-11280	STUD	3							
9	2	129150-11280	SPRING	3							
10	2	129004-11650	ARM, ROCKER	6							
11	3	129150-11230	SCREW, VALVE ADJUST	6							
13	3	129150-11750	NUT, M8	6							
14	1	129150-11370	CAP, VALVE	6							
15	1	129004-11700	HEAD ASSY, CYLINDER	1							
19	2	120130-11860	GUIDE, VALVE	3							1
21	2	129150-11810	GUIDE, VALVE	3							1
23	2	27241-400000	PLUG, 40	2							
24	2	129004-11101	VALVE, INTAKE	3							
25	2	129100-11111	VALVE, EXHAUST	3							
26	2	129795-11120	SPRING, VALVE	6							
27	2	129795-11180	RETAINER, SPRING	6							
28	2	121400-11340	SEAL, VALVE STEM	3							
29	2	124460-11340	SEAL, VALVE STEM	3							
30	2	27310-080000	COTTER 8	6							
31	1	119802-11870	PROTECTOR, NOZZLE	3							
32	1	119625-11880	SEAT, NOZZLE	3							
33	1	129004-11900	RETAINER, NOZZLE	3							
34	1	120270-54410	WASHER, INJECTOR	3							
35	1	22351-060012	PIN, SPRING 6.0X12	2							
36	1	26106-080252	BOLT, M8X 25 PLATED	2							
37	1	26106-080352	BOLT, M8X 35 PLATED	3							
38	1	26106-080502	BOLT, M8X 50 PLATED	6							
39	1	124160-01751	COVER, FILLER	1							
40	1	129004-11350	BONNET ASSY, HEAD	1							
41	2	129004-03010	PLATE	1							
42	2	129150-03070	BAFFLE, BREATHER	1							
43	2	119802-03110	PLATE	1							
44	2	119802-03121	COVER, DIAPHRAGM	1							
45	2	119802-03130	DIAPHRAGM	1							
46	2	119802-03141	SPRING, DIAPHRAGM	1							
49	2	129004-11310	GASKET, BONNET	1							
50	2	22857-500100	SCREW, 5X10	4							
51	2	22857-500100	SCREW, 5X10	4							
52	1	124160-11360	KNOB	3							
53	1	24311-000120	O-RING, 1AP12.0	3							
54	1	24311-000320	O-RING, 1AP32.0	1							

Remarks

(1)REPAIR PART.

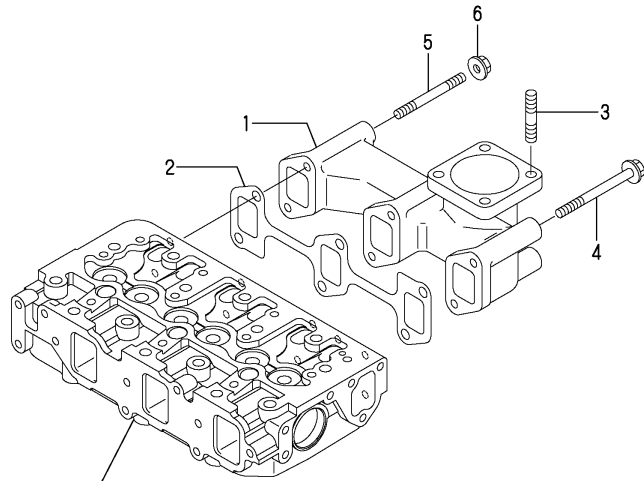
N:Old $\begin{matrix} \leftarrow \text{Yes} \\ \text{No} \end{matrix}$ New, Q:Old $\begin{matrix} \leftarrow \text{No} \\ \text{Yes} \end{matrix}$ New, R:Old $\begin{matrix} \leftarrow \text{Yes} \\ \text{Yes} \end{matrix}$ New, S:Old $\begin{matrix} \leftarrow \text{No} \\ \text{No} \end{matrix}$ New, W:Add, Z:Discontinued, F:Interchangeable by set, K:Q'ty Change

Fig.6. EXHAUST MANIFOLD

(A)=3TNV84-XKAH
 (B)=
 (C)=

(D)=
 (E)=
 (F)=

No.	Lev.	Parts No.	Description	Q'ty						I	R
				(A)	(B)	(C)	(D)	(E)	(F)		
1	1	171350-13100	MANIFOLD, EXHAUST	1							
2	1	129150-13110	GASKET	1							
3	1	119131-18320	STUD, M8X22	4							
4	1	123900-13630	BOLT, M8X80	4							
5	1	123900-13610	STUD, M8X80	2							
6	1	26306-080002	NUT, M8	2							

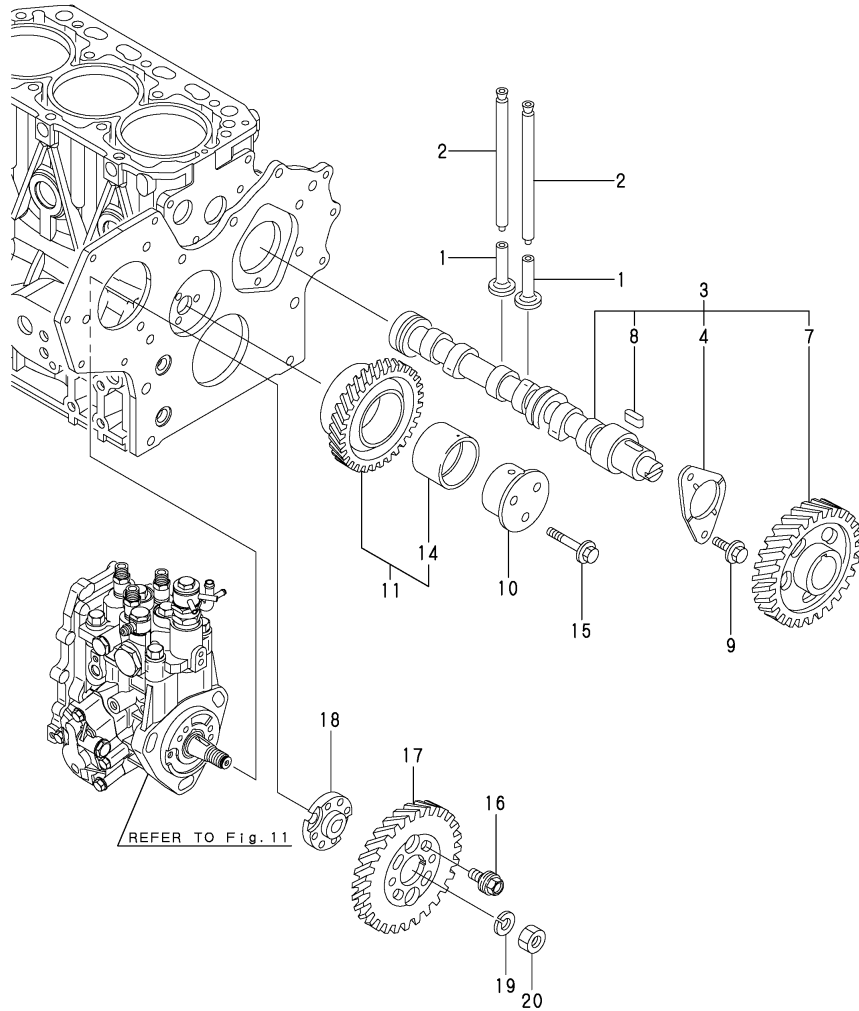


REFER TO Fig.4

Fig.7. CAMSHAFT & DRIVING GEAR

(A)=3TNV84-XKAH
(B)=
(C)=

(D)=
(E)=
(F)=



No.	Lev.	Parts No.	Description	Q'ty						I	R
				(A)	(B)	(C)	(D)	(E)	(F)		
1	1	129150-14200	TAPPET	6							
2	1	129150-14400	ROD, PUSH L=178	6							
3	1	129129-14580	CAMSHAFT ASSY	1							
4	2	129150-02450	BEARING, THRUST	1							
7	2	129150-14101	GEAR, CAMSHAFT	1							
8	2	22512-070140	KEY, 7X 14	1							
9	1	26106-080142	BOLT, M8X 14 PLATED	2							
10	1	119802-25051	SHAFT, IDLE	1							
11	1	119802-25100	GEAR ASSY, IDLE	1							
14	2	119802-25070	BUSH, IDLE GEAR	1							1
15	1	26106-080402	BOLT, M8X 40 PLATED	3							
16	1	129150-25301	BOLT	4							
17	1	119802-25901	GEAR, PUMP	1							
18	1	158552-51151	FLANGE	1							
19	1	22217-140000	WASHER, SPRING 14	1							
20	1	26776-140002	NUT, LOCK M14	1							

Remarks

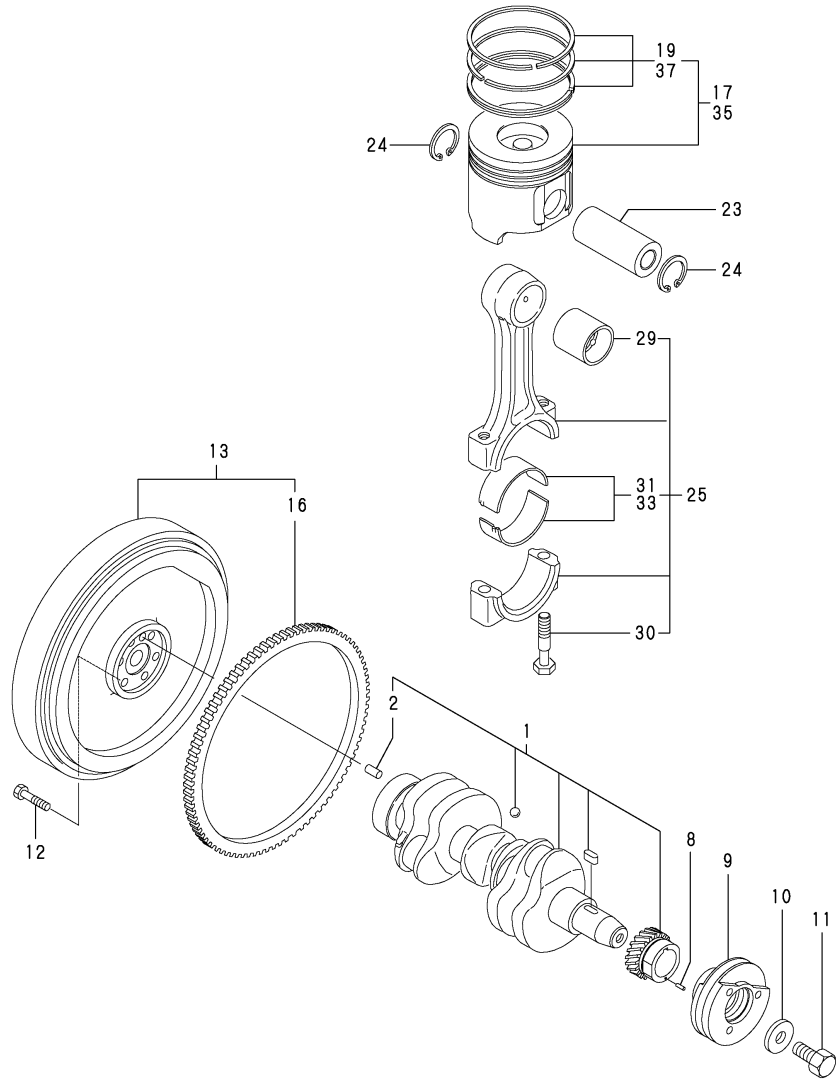
(1)REPAIR PART.

Fig.8. CRANKSHAFT & PISTON

(A)=3TNV84-XKAH
(B)=
(C)=

(D)=
(E)=
(F)=

No.	Lev.	Parts No.	Description	Q'ty						I	R
				(A)	(B)	(C)	(D)	(E)	(F)		
1	1	129004-21002	CRANKSHAFT ASSY	1							
2	2	129100-01580	PIN, M8X16	1							
8	1	22351-030010	PIN, SPRING 3.0X10	1							
9	1	129004-21650	V-PULLEY, 110	1							
10	1	129795-21661	WASHER	1							
11	1	121850-21680	BOLT	1							
12	1	124160-21501	BOLT, FLYWHEEL	6							
13	1	129131-21591	FLYWHEEL ASSY	1							
16	2	124550-21600	GEAR, RING	1							
17	1	129004-22080	PISTON ASSY	3							
19	2	129004-22500	RING SET, PISTON	3							
23	1	129202-22300	PIN, PISTON D26 L70	3							
24	1	22252-000260	RING, 26	6							
25	1	729402-23100	ROD ASSY, CONNECTING	3							
29	2	129100-23910	BEARING, PISTON PIN	3							1
30	2	121550-23200	BOLT, CONNECTING ROD	6							
31	2	129150-23600	BEARING, CRANK PIN	3							
33	1	129150-23610	BEARING, 0.25 US	3							2
35	1	129004-22900	PISTON ASSY, 0.25 OS	3							3
37	2	129004-22950	RING SET, 0.25 OS	3							3

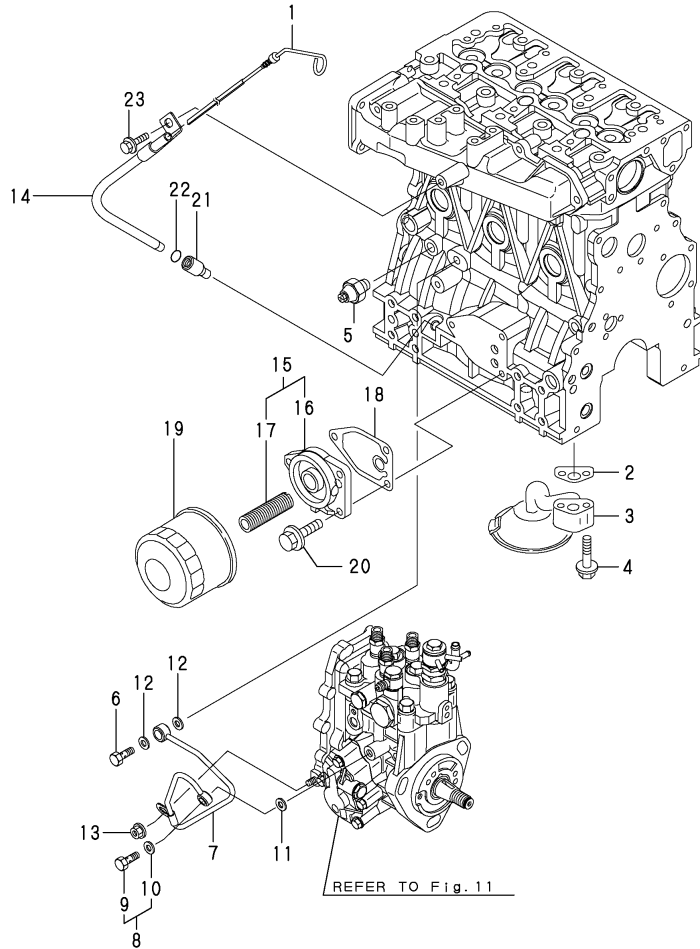


Remarks
 (1)REPAIR PART.
 (2)UNDER SIZED(U.S.=0.25)PART.
 (3)OVER SIZED(O.S.=0.25)PART.

Fig.9. LUB.OIL SYSTEM

(A)=3TNV84-XKAH
(B)=
(C)=

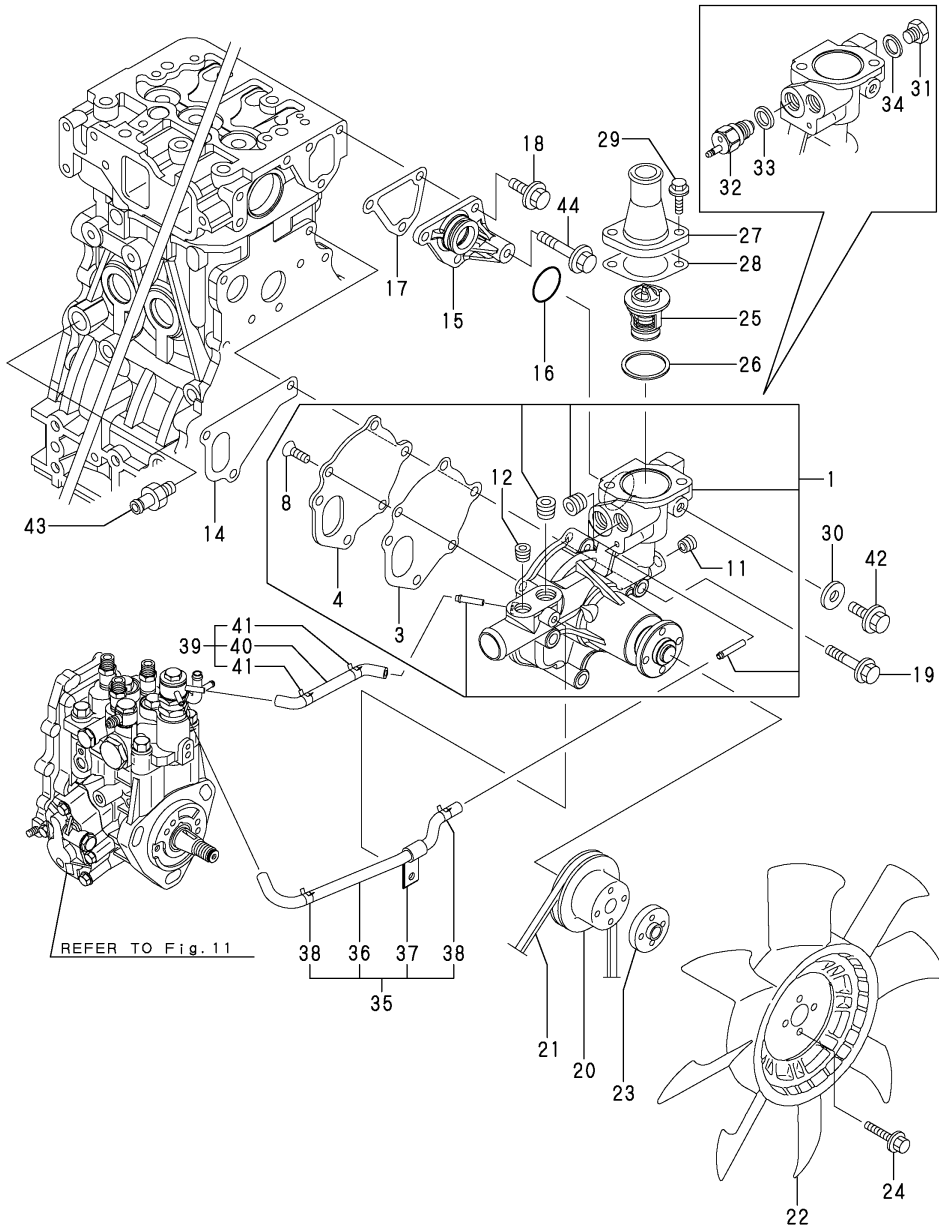
(D)=
(E)=
(F)=



No.	Lev.	Parts No.	Description	Q'ty						I	R
				(A)	(B)	(C)	(D)	(E)	(F)		
1	1	129044-34801	DIPSTICK, OIL	1							
2	1	129150-35042	GASKET	1							
3	1	129135-35090	PIPE ASSY, OIL INLET	1							
4	1	26106-080352	BOLT, M8X 35 PLATED	2							
5	1	114250-39450	SWITCH, 0.5KG	1							
6	1	124160-39140	BOLT, PIPE JOINT M10	1							
7	1	119802-39450	PIPE ASSY, OIL	1							
8	1	129005-59830	BOLT ASSY, JOINT M8	1							
9	2	23857-030000	BOLT, JOINT 3	1							
10	2	22190-080002	WASHER, SEAL 6	1							
11	1	22190-080002	WASHER, SEAL 6	1							
12	1	22190-100002	WASHER, SEAL 10	2							
13	1	26366-060002	NUT, M6	1							
14	1	119802-34850	GUIDE, DIPSTICK	1							
15	1	119802-35100	BRACKET ASSY, FILTER	1							
16	2	119802-35110	BRACKET, FILTER	1							
17	2	129100-35140	STUD	1							
18	1	129150-35111	GASKET	1							
19	1	129150-35170	FILTER, LO	1							1
20	1	26106-080202	BOLT, M8X 20 PLATED	3							
21	1	119260-34810	GUIDE, DIPSTICK	1							
22	1	24311-240100	O-RING, 1AP10A	1							
23	1	26106-080162	BOLT, M8X 16 PLATED	1							

Remarks
(1) REPAIR PART.

Fig.10. COOLING WATER SYSTEM



(A)=3TNV84-XKAH

(B)=

(C)=

(D)=

(E)=

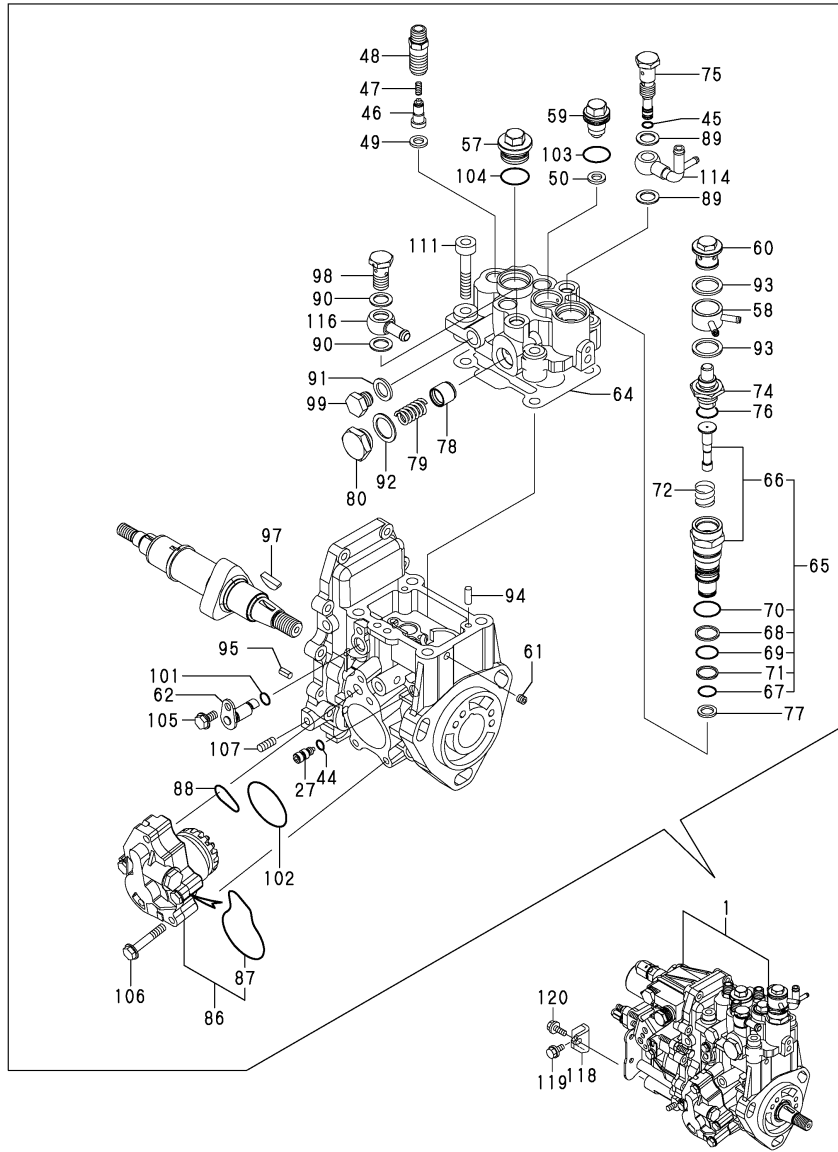
(F)=

No.	Lev.	Parts No.	Description	Q'ty						I	R
				(A)	(B)	(C)	(D)	(E)	(F)		
1	1	129004-42001	PUMP ASSY, WATER	1							
3	2	129100-42051	GASKET, WATER PUMP	1							
4	2	129100-42121	PLATE	1							
8	2	121850-42410	SCREW	3							
11	2	23876-010000	PLUG, R01	1							
12	2	23876-020000	PLUG, R02	1							
14	1	129486-42021	GASKET, WATER PUMP	1							
15	1	129004-42040	JOINT	1							
16	1	129486-42140	O-RING, G30	1							
17	1	124395-49840	GASKET	1							
18	1	26106-080162	BOLT, M8X 16 PLATED	3							
19	1	26106-080602	BOLT, M8X 60 PLATED	3							
20	1	129556-42350	V-PULLEY, 96	1							
21	1	119831-42290	V-BELT, A37.5	1							
22	1	171440-44740	FAN, COOLING D350XQF	1							
23	1	124574-44761	SPACER, FAN	1							
24	1	26106-060202	BOLT, M6X 20 PLATED	4							
25	1	129457-49801	THERMOSTAT, 82	1							
26	1	129150-49811	GASKET, THERMOSTAT	1							
27	1	129350-49560	COVER, THERMOSTAT	1							
28	1	129795-49551	GASKET	1							
29	1	26106-080202	BOLT, M8X 20 PLATED	2							
30	1	23414-080000	GASKET, 8X1.0	1							
31	1	121450-42450	PLUG, M16	1							
32	1	124250-49351	SENSOR	1							
33	1	124465-44950	GASKET, 16	1							
34	1	129150-49360	GASKET	1							
35	1	129004-49610	PIPE ASSY, WATER	1							
36	2	129004-49711	PIPE ASSY, WATER	1							
37	2	119802-49730	RETAINER, PIPE	1							
38	2	124722-59050	CLIP, HOSE 9	2							
39	1	129004-49620	PIPE ASSY, WATER	1							
40	2	129004-49721	PIPE ASSY, WATER	1							
41	2	124722-59050	CLIP, HOSE 9	2							
42	1	26106-080122	BOLT, M8X 12 PLATED	1							
43	1	121550-49111	JOINT, PT1/4	1							
44	1	26106-080452	BOLT, M8X 45 PLATED	1							

Fig.11. FUEL INJECTION PUMP

(A)=3TNV84-XKAH
(B)=
(C)=

(D)=
(E)=
(F)=



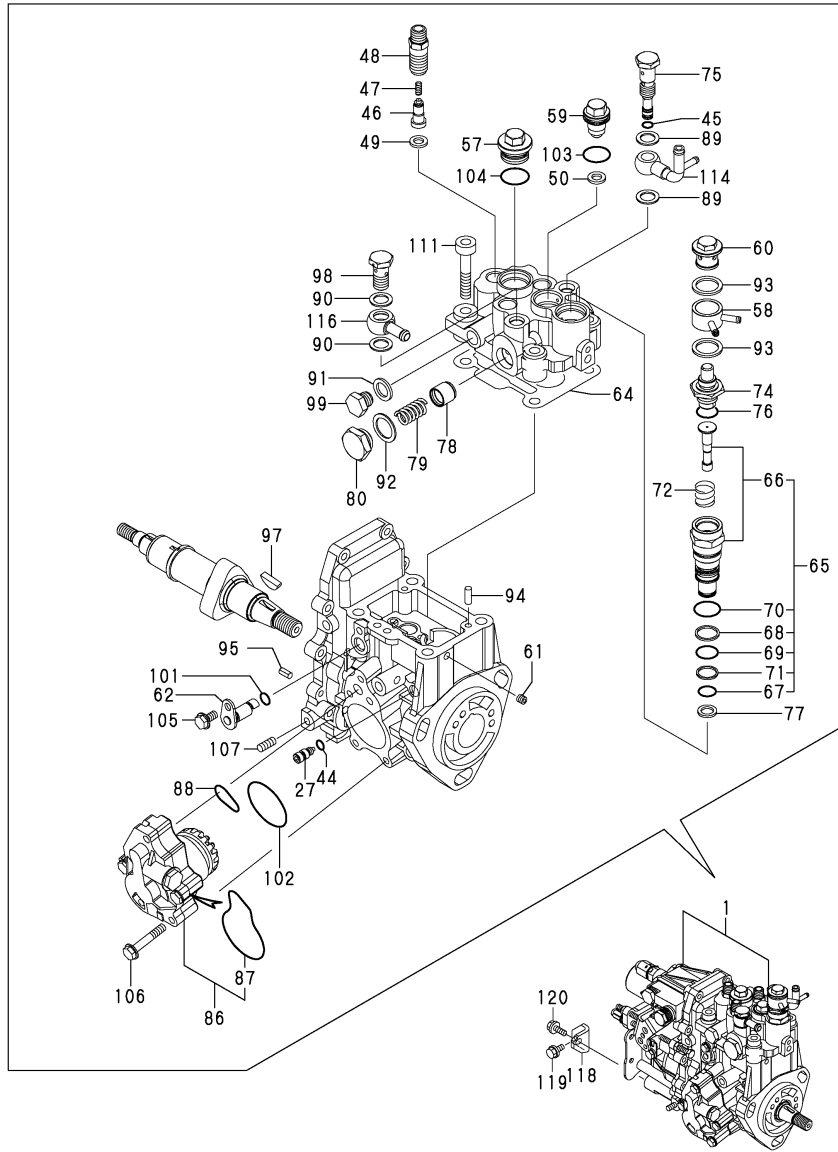
No.	Lev.	Parts No.	Description	Q'ty						I	R
				(A)	(B)	(C)	(D)	(E)	(F)		
1	1	729244-51330	PUMP ASSY, INJECTION	1							1
27	3	158600-51270	STOPPER, TAPPET	1							
44	3	158563-51281	O-RING, 4D S6	1							
45	3	158563-51281	O-RING, 4D S6	1							
46	3	158560-51300	VALVE ASSY, DELIVERY	3							
47	3	158563-51330	SPRING, DELIVERY	3							
48	3	158601-51340	HOLDER, DELIVERY	3							
49	3	158552-51570	GASKET	3							
50	3	158552-51570	GASKET	1							
57	3	158601-51550	PLUG	1							
58	3	158553-51551	JOINT	1							
59	3	119802-51560	PLUG, BARREL	1							
60	3	158601-51570	PLUG	1							
61	3	158557-51570	PLUG	1							
62	3	158552-51580	LIFTER	1							
64	3	158552-51600	GASKET	1							
65	3	119802-51590	TIMER SET	1							
66	4	119802-51600	TIMER ASSY	1							
67	4	158553-51670	O-RING, 1011	1							
68	4	119802-51680	RING, BACK UP	1							
69	4	119802-51690	O-RING	1							
70	4	24356-010200	O-RING, 4D1020	1							
71	4	24372-000150	RING, BACK UP T2P15	1							
72	3	158553-51630	SPRING, TIMER	1							
74	3	158553-51640	ELEMENT	1							
75	3	158601-51650	JOINT, OVER FLOW	1							
76	3	158553-51660	O-RING, P14	1							
77	3	158553-51680	GASKET	1							
78	3	158601-51770	PISTON	1							
79	3	158552-51780	SPRING	1							
80	3	158601-51790	PLUG	1							
86	3	158552-52100	PUMP ASSY, FUEL FEED	1							
87	4	158552-52500	O-RING	1							W
(A=FROM 1ST)											
88	3	158552-52310	O-RING	1							
89	3	22190-120002	WASHER, SEAL 12	2							
90	3	22190-120002	WASHER, SEAL 12	2							
91	3	22190-120002	WASHER, SEAL 12	1							
92	3	22190-180002	WASHER, SEAL 18	1							
93	3	22190-180002	WASHER, SEAL 18	2							
94	3	22312-050140	PIN, PARALLEL M5X14	2							
95	3	22351-050010	PIN, SPRING 5.0X10	2							
97	3	119802-51090	KEY, 4X16	1							
98	3	23857-060000	BOLT, JOINT 6	1							
99	3	23887-120002	PLUG, 12	1							
101	3	24311-000070	O-RING, 1AP7.0	1							
102	3	158552-52400	O-RING, 4E S42	1							
103	3	24356-010180	O-RING, 4D1018	1							
104	3	24356-010200	O-RING, 4D1020	1							
105	3	26106-060102	BOLT, M6X 10 PLATED	1							
106	3	26106-060352	BOLT, M6X 35 PLATED	4							

Remarks
(1)GOVERNOR ASSY(FIG.12)IS
INCORPORATED IN THIS FUEL
INJECTION PUMP.(REF.NO.1)

Fig.11. FUEL INJECTION PUMP

(A)=3TNV84-XKAH
(B)=
(C)=

(D)=
(E)=
(F)=



No.	Lev.	Parts No.	Description	Q'ty						I	R
				(A)	(B)	(C)	(D)	(E)	(F)		
106-1	3	158553-51770	BOLT	4							N
		(A=E/#11122)									
107	3	26216-060162	STUD, M6X 16	1							
111	3	26450-080452	BOLT, M8X 45	4							
114	2	158552-51670	JOINT, OVER FLOW	1							
116	2	129916-59020	JOINT, PIPE 12	1							
118	1	119802-51250	RETAINER, PUMP	1							
119	1	26106-080162	BOLT, M8X 16 PLATED	1							
120	1	26106-080202	BOLT, M8X 20 PLATED	1							

Remarks

(1)GOVERNOR ASSY(FIG.12)IS INCORPORATED IN THIS FUEL INJECTION PUMP.(REF.NO.1)

Fig.12. GOVERNOR

(A)=3TNV84-XKAH

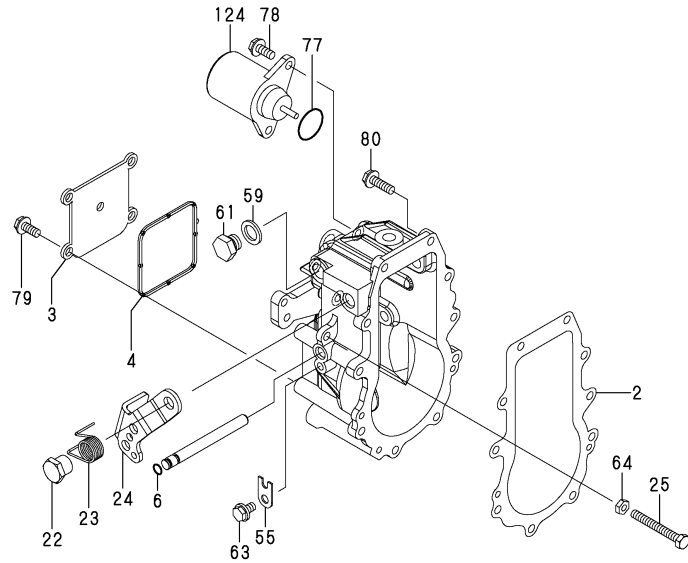
(B)=

(C)=

(D)=

(E)=

(F)=



No.	Lev.	Parts No.	Description	Q'ty						I	R
				(A)	(B)	(C)	(D)	(E)	(F)		
2	3	158553-61050	GASKET	1							
3	3	129642-61060	COVER, GOVERNOR CASE	1							
4	3	158553-61070	GASKET	1							
6	3	129155-51280	O-RING, S6	1							
22	3	129255-61410	NUT, LOCK	1							
23	3	119807-61420	SPRING, RETURN	1							
24	3	158552-61441	LEVER, REGULATOR	1							
25	3	129155-61460	BOLT, IDLE	1							
55	3	119660-61901	RETAINER, SHAFT	1							
59	3	22190-120000	WASHER, SEAL 12	1							
61	3	23887-120002	PLUG, 12	1							
63	3	26106-060102	BOLT, M6X 10 PLATED	1							
64	3	26756-060002	NUT, LOCK M6	1							
77	3	24341-000280	O-RING, 1AS28.0	1							
77-1	3	158552-61900	O-RING	1							N
(A=EXXXXX)											
78	3	26106-060142	BOLT, M6X 14 PLATED	2							
79	3	26106-060142	BOLT, M6X 14 PLATED	4							
80	3	26106-060202	BOLT, M6X 20 PLATED	10							
124	2	119653-77950	SOLENOID, STOP	1							

Remarks

* THIS FIGURE(GOVERNOR ASSY)IS INCORPORATED IN THE FUEL INJECTION PUMP ASSY(FIG.11).

Fig.13. FUEL INJECTION VALVE

(A)=3TNV84-XKAH

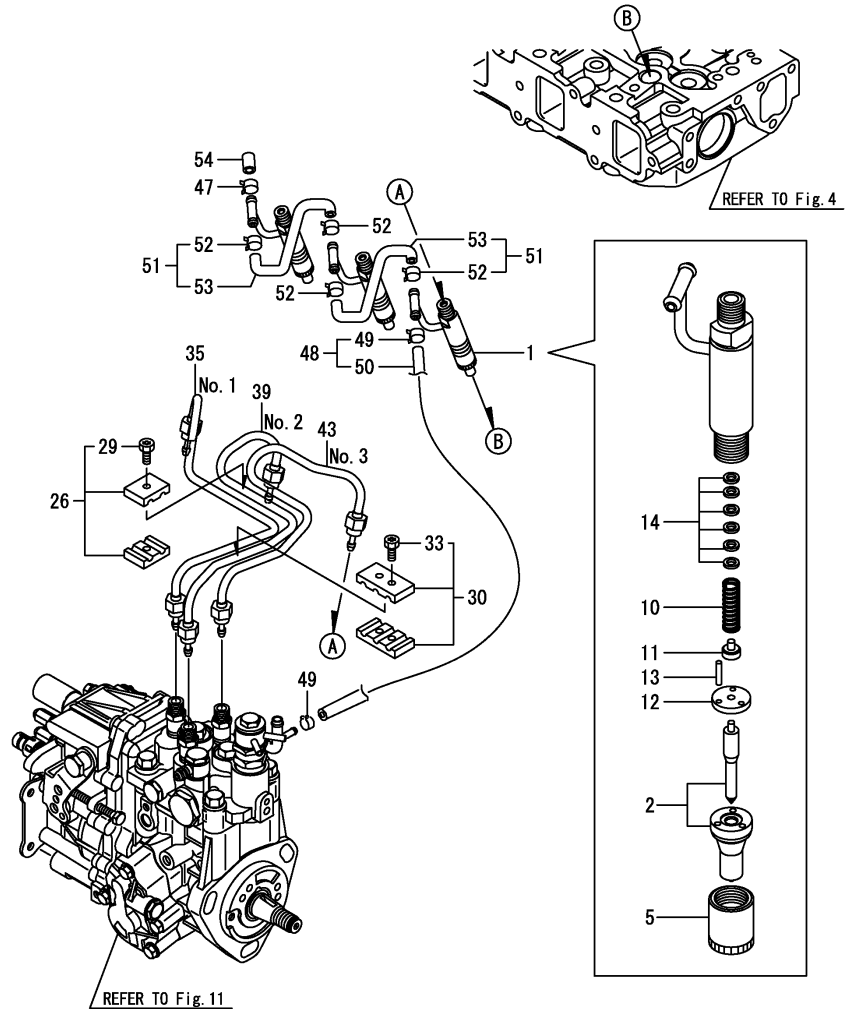
(B)=

(C)=

(D)=

(E)=

(F)=

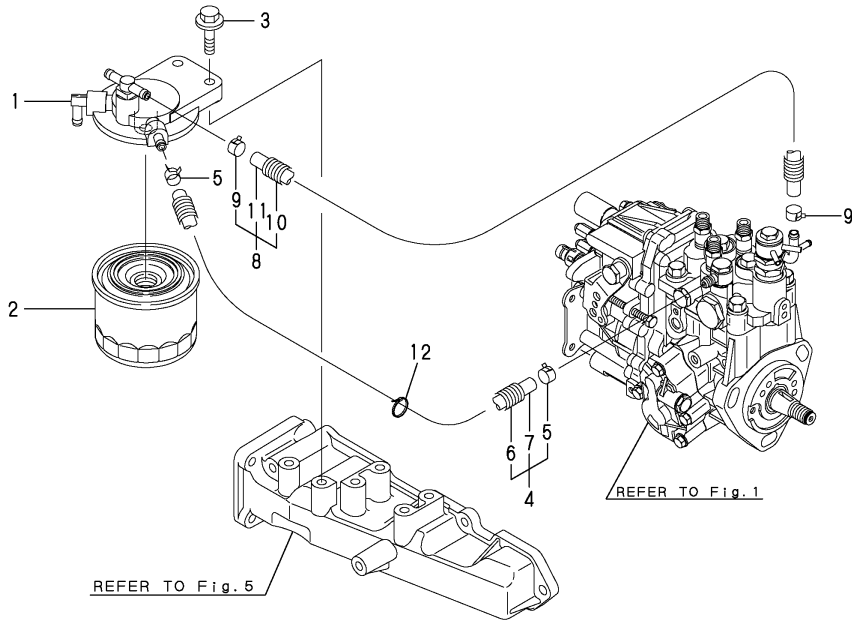


No.	Lev.	Parts No.	Description	Q'ty						I	R
				(A)	(B)	(C)	(D)	(E)	(F)		
1	1	729244-53100	VALVE ASSY,INJECTION	3							
2	2	129234-53001	VALVE ASSY,INJECTION	3							
5	2	114250-53080	NUT, NOZZLE D16.95	3							
10	2	114250-53120	SPRING, NOZZLE	3							
11	2	114250-53130	SEAT, SPRING	3							
12	2	114250-53140	PLATE	3							
13	2	114250-53210	PIN	6							
14	2	114250-53400	SHIM SET	3							
26	1	119305-59120	RETAINER, PIPE	1							
29	2	129150-59131	BOLT, M4X14	1							
30	1	129150-59120	RETAINER, PIPE	1							
33	2	129150-59131	BOLT, M4X14	2							
35	1	129004-59810	PIPE ASSY, INJECTION	1							
39	1	129004-59820	PIPE ASSY, INJECTION	1							
43	1	129004-59830	PIPE ASSY, INJECTION	1							
47	1	124066-59100	CLIP, HOSE 8	2							
48	1	119802-59550	PIPE ASSY, RETURN	1							
49	2	124722-59050	CLIP, HOSE 9	2							
50	2	119802-59560	PIPE, FUEL RETURN	1							
51	1	129486-59551	PIPE ASSY, RETURN	2							
52	2	124722-59050	CLIP, HOSE 9	4							
53	2	129486-59510	PIPE, FUEL RETURN	2							
54	1	119593-59580	CAP	1							

Fig.14. FUEL LINE

(A)=3TNV84-XKAH
(B)=
(C)=

(D)=
(E)=
(F)=

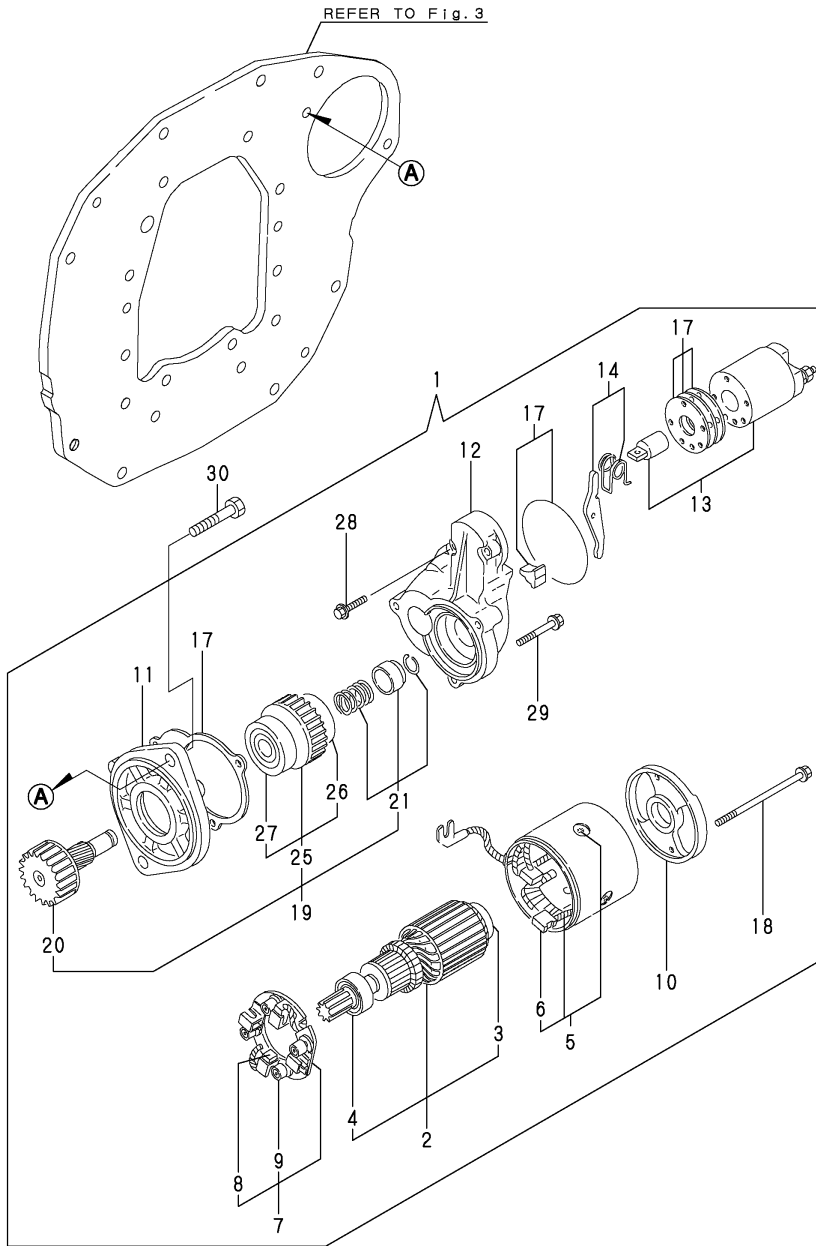


No.	Lev.	Parts No.	Description	Qty						I	R
				(A)	(B)	(C)	(D)	(E)	(F)		
1	1	129004-55610	BRACKET, FILTER	1							
1-1	1	129004-55611	BRACKET, FILTER	1							R
(A=E/#17024)											
2	1	119802-55800	FILTER, FUEL	1							
3	1	26106-080302	BOLT, M8X 30 PLATED	2							
4	1	129044-59010	PIPE, D13/7.5X220	1							
5	2	124766-59050	CLIP, HOSE 12	2							
6	2	129044-59100	TUBE, CORRUGATED	1							
7	2	105025-59580	PIPE, FUEL	1							
8	1	129950-59311	PIPE, FUEL	1							
9	2	124766-59050	CLIP, HOSE 12	2							
10	2	129961-59110	TUBE, CORRUGATED	1							
11	2	129044-59510	PIPE, FUEL 220	1							
12	1	121750-59890	BAND, 140	1							

Fig.15. STARTING MOTOR

(A)=3TNV84-XKAH
(B)=
(C)=

(D)=
(E)=
(F)=



No.	Lev.	Parts No.	Description	Q'ty						I	R
				(A)	(B)	(C)	(D)	(E)	(F)		
1	1	129400-77012	STARTER	1							
2	2	129486-77400	ARMATURE	1							
3	3	171008-77410	BEARING	1							
4	3	171008-77420	BEARING	1							
5	2	129400-77441	COIL ASSY, FIELD	1							
6	3	129486-77460	BRUSH	2							
7	2	129486-77470	HOLDER ASSY, BRUSH	1							
8	3	129486-77460	BRUSH	2							
9	3	129486-77490	SPRING	4							
10	2	129900-77460	COVER	1							
11	2	171008-77510	CASE, GEAR	1							
12	2	129400-77520	HOUSING	1							
13	2	129400-77531	SWITCH ASSY	1							
14	2	171008-77540	LEVER SET	1							
17	2	129400-77571	COVER ASSY, DUST	1							
18	2	129900-77640	BOLT, THROUGH	2							
19	2	171008-77650	PINION ASSY	1							
20	3	171008-77660	SHAFT	1							
21	3	171008-77670	STOPPER SET	1							
25	3	X2114555500	CLUTCH ASSY	1							
26	4	X2114955020	BEARING, BALL	1							
27	4	X2240410100	BEARING, BALL	1							
28	2	26106-060322	BOLT, M6X 32 PLATED	2							
29	2	26106-060402	BOLT, M6X 40 PLATED	3							
30	1	26116-120202	BOLT, M12X 20 PLATED	2							

Fig.16. GENERATOR

(A)=3TNV84-XKAH

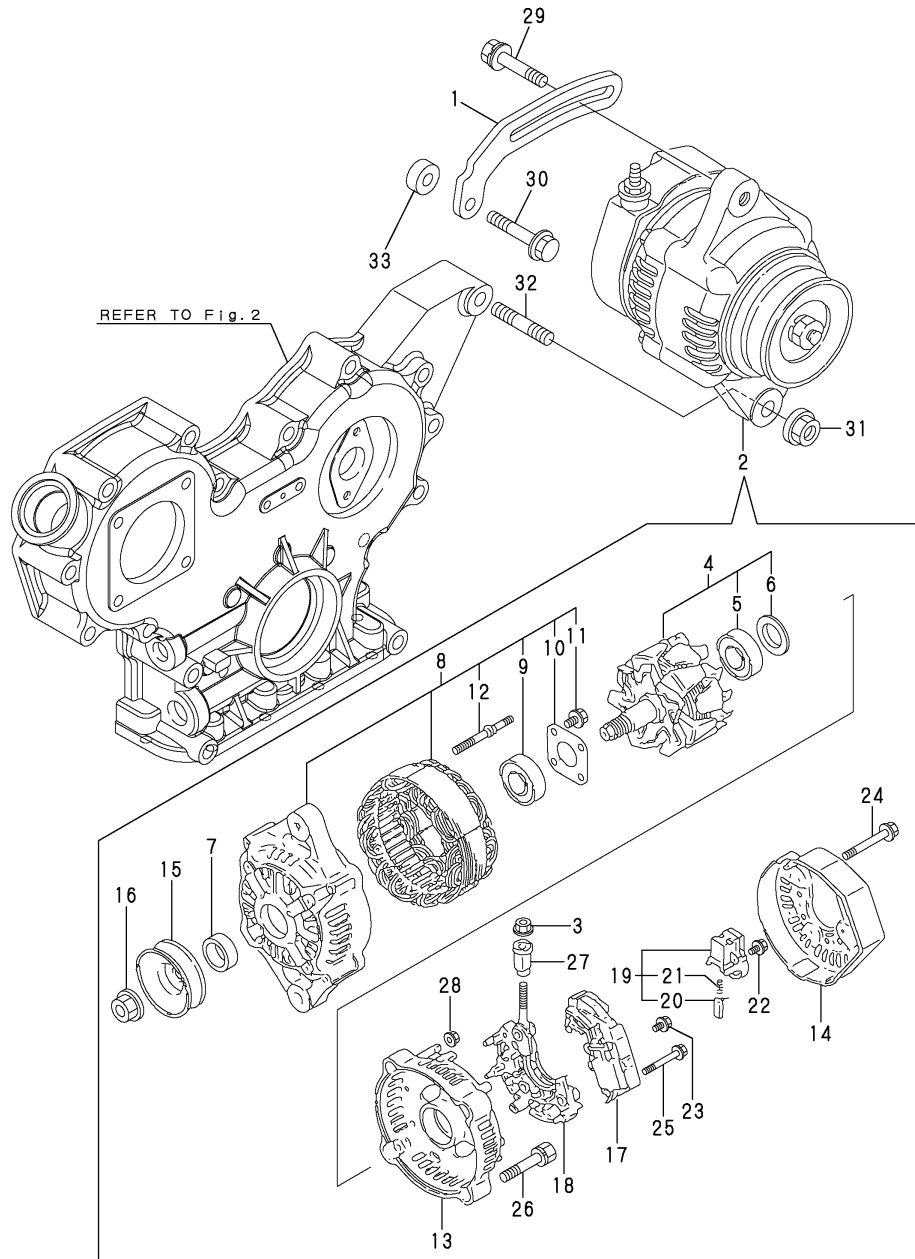
(B)=

(C)=

(D)=

(E)=

(F)=

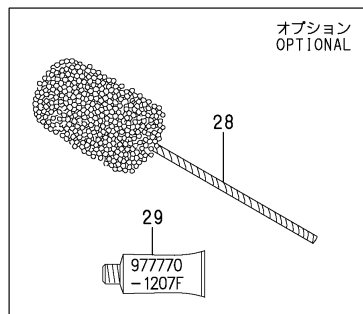
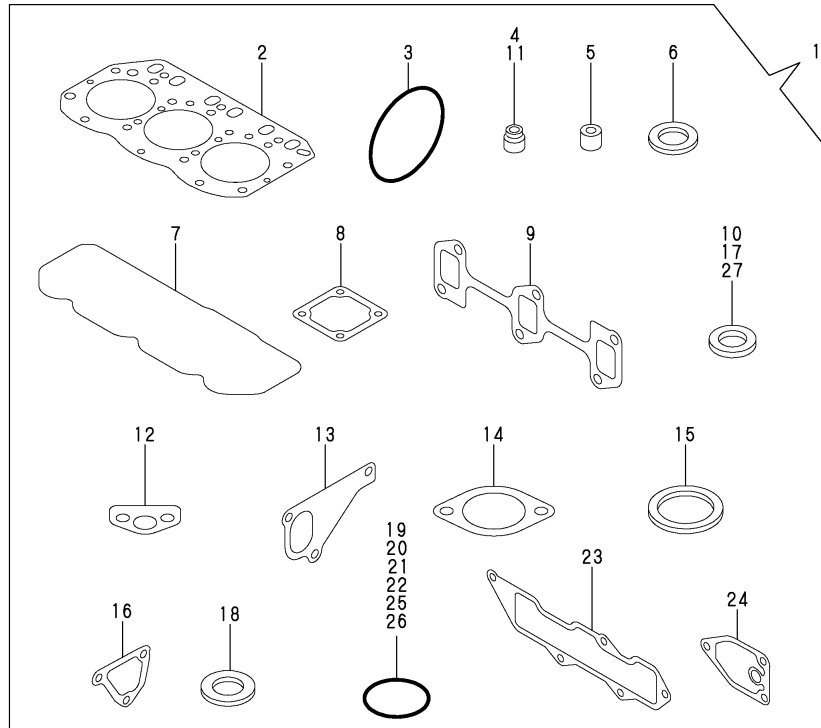


No.	Lev.	Parts No.	Description	Q'ty						I	R
				(A)	(B)	(C)	(D)	(E)	(F)		
1	1	119940-77330	ADJUSTER	1							
2	1	129052-77220	GENERATOR, 12V-55A	1							
3	2	X9490561001	NUT	1							
4	2	129052-77380	ROTOR ASSY	1							
5	3	119620-79240	BEARING, BALL	1							
6	3	119620-79250	COVER	1							
7	2	119620-77490	COLLAR	1							
8	2	129052-77422	FRAME ASSY	1							
9	3	119620-79200	BEARING, BALL	1							
10	3	119620-79210	PLATE, RETAINER	1							
11	3	119620-79220	SCREW	4							
12	3	119620-79230	STUD	2							
13	2	128401-77440	FRAME	1							
14	2	128401-77450	COVER	1							
15	2	119620-77461	PULLEY	1							
16	2	119620-77471	NUT	1							
17	2	119620-77710	REGULATOR ASSY	1							
18	2	129052-79260	HOLDER	1							
19	2	129052-79270	HOLDER, BRUSH	1							
20	3	119620-77480	BRUSH ASSY	2							
21	3	119620-79280	SPRING	2							
22	2	119620-79290	SCREW	6							
23	2	119620-79300	SCREW	1							
24	2	119620-79310	BOLT	3							
25	2	119620-79320	SCREW	2							
26	2	119620-79330	BOLT	2							
27	2	119620-79340	BUSH, INSULATION	1							
28	2	119620-79350	NUT	2							
29	1	119802-77340	BOLT, ADJUSTER	1							
29-1	1	129972-77341	BOLT, ADJUSTER L=50	1							N
(A=E/#15032)											
30	1	26106-080452	BOLT, M8X 45 PLATED	1							
31	1	26306-100002	NUT, M10	1							
32	1	129795-01900	STUD	1							
33	1	119940-77270	SPACER, GENERATOR	1							

Fig.17. GASKET SET & TOOLS

(A)=3TNV84-XKAH
(B)=
(C)=

(D)=
(E)=
(F)=



No.	Lev.	Parts No.	Description	Q'ty						I	R
				(A)	(B)	(C)	(D)	(E)	(F)		
1	1	729247-92600	GASKET SET	1							1
2	2	129001-01340	GASKET, HEAD	1							
3	2	121850-51960	O-RING	1							
4	2	124460-11340	SEAL, VALVE STEM	3							
5	2	119802-11870	PROTECTOR, NOZZLE	3							
6	2	119625-11880	SEAT, NOZZLE	3							
7	2	129004-11310	GASKET, BONNET	1							
8	2	129150-77511	GASKET	1							
9	2	129150-13110	GASKET	1							
10	2	22190-100002	WASHER, SEAL 10	2							
11	2	121400-11340	SEAL, VALVE STEM	3							
12	2	129150-35042	GASKET	1							
13	2	129486-42021	GASKET, WATER PUMP	1							
14	2	129795-49551	GASKET	1							
15	2	129150-49811	GASKET, THERMOSTAT	1							
16	2	124395-49840	GASKET	1							
17	2	22190-080002	WASHER, SEAL 6	2							
18	2	124465-44950	GASKET, 16	1							
19	2	24311-000120	O-RING, 1AP12.0	3							
20	2	24311-000320	O-RING, 1AP32.0	2							
21	2	24341-000240	O-RING, 1AS24.0	1							
22	2	129486-42140	O-RING, G30	1							
23	2	129001-12110	GASKET, MANIFOLD	1							
24	2	129150-35111	GASKET	1							
25	2	24311-240100	O-RING, 1AP10A	1							
26	2	119609-32040	O-RING, P16	4							
27	2	129150-49360	GASKET	1							
28	1	129400-92420	HONE	1							1
29	1	977770-1207F	GASKET.LIQUID	1							1

Remarks
(1)OPTIONAL PART.

Parts No. Index

Parts No.	Fig. No.	Ref. No.
105025-59580	14	7
114250-39450	9	5
114250-53080	13	5
114250-53120	13	10
114250-53130	13	11
114250-53140	13	12
114250-53210	13	13
114250-53400	13	14
119131-18320	6	3
119260-34810	9	21
119305-59120	13	26
119593-59580	13	54
119609-32040	2	17
	17	26
119620-77461	16	15
119620-77471	16	16
119620-77480	16	20
119620-77490	16	7
119620-77710	16	17
119620-79200	16	9
119620-79210	16	10
119620-79220	16	11
119620-79230	16	12
119620-79240	16	5
119620-79250	16	6
119620-79280	16	21
119620-79290	16	22
119620-79300	16	23
119620-79310	16	24
119620-79320	16	25
119620-79330	16	26
119620-79340	16	27
119620-79350	16	28
119625-11880	4	32
	17	6
119653-77950	12	124
119660-61901	12	55
119802-01520	2	12
119802-01560	2	13
119802-03110	4	43
119802-03121	4	44
119802-03130	4	45
119802-03141	4	46
119802-11260	4	6
119802-11270	4	7
119802-11280	4	8
119802-11870	4	31
	17	5
119802-25051	7	10
119802-25070	7	14

Parts No.	Fig. No.	Ref. No.
119802-25100	7	11
119802-25901	7	17
119802-32070	2	8
119802-32100	2	7
119802-32111	2	18
119802-32120	2	19
119802-32130	2	20
119802-34850	9	14
119802-35100	9	15
119802-35110	9	16
119802-39450	9	7
119802-49730	10	37
119802-51090	11	97
119802-51250	11	118
119802-51560	11	59
119802-51590	11	65
119802-51600	11	66
119802-51680	11	68
119802-51690	11	69
119802-55800	14	2
119802-59550	13	48
119802-59560	13	50
119802-77340	16	29
119807-61420	12	23
119831-42290	10	21
119940-77270	16	33
119940-77330	16	1
120130-11860	4	19
120270-54410	4	34
121400-11340	4	28
	17	11
121450-42450	10	31
121550-23200	8	30
121550-49111	10	43
121750-59890	14	12
121850-21680	8	11
121850-42410	10	8
121850-51960	2	21
	17	3
123900-13610	6	5
123900-13630	6	4
124060-01050	1	5
124066-59100	13	47
124160-01751	2	14
	4	39
124160-01910	1	7
		8
124160-11360	4	52
124160-21501	8	12
124160-39140	9	6

Parts No.	Fig. No.	Ref. No.
124240-01871	2	15
124250-49351	10	32
124395-49840	10	17
	17	16
124460-11340	4	29
	17	4
124465-44950	10	33
	17	18
124550-21600	8	16
124574-44761	10	23
124722-59050	10	38
		41
	13	49
		52
124766-59050	14	5
		9
128401-77440	16	13
128401-77450	16	14
129001-01250	1	6
129001-01340	17	2
129001-02930	1	25
129001-12110	5	5
	17	23
129001-32330	2	11
129001-91841	2	22
129001-91870	3	15
129002-01331	1	33
129004-01190	1	31
129004-03010	4	41
129004-03080	5	1
129004-11101	4	24
129004-11241	4	3
129004-11251	4	4
129004-11310	4	49
	17	7
129004-11350	4	40
129004-11650	4	10
129004-11700	4	15
129004-11900	4	33
129004-12100	5	3
129004-21002	8	1
129004-21650	8	9
129004-22080	8	17
129004-22500	8	19
129004-22900	8	35
129004-22950	8	37
129004-42001	10	1
129004-42040	10	15
129004-49610	10	35
129004-49620	10	39

Parts No.	Fig. No.	Ref. No.
129004-49711	10	36
129004-49721	10	40
129004-55610	14	1
129004-55611	14	1 -1
129004-59810	13	35
129004-59820	13	39
129004-59830	13	43
129005-59830	9	8
129044-34801	9	1
129044-59010	14	4
129044-59100	14	6
129044-59510	14	11
129052-77220	16	2
129052-77380	16	4
129052-77422	16	8
129052-79260	16	18
129052-79270	16	19
129100-01580	3	1
		16
		8
		2
129100-01640	3	17
129100-01730	3	5
129100-11111	4	25
129100-23910	8	29
129100-35140	9	17
129100-42051	10	3
129100-42121	10	4
129120-77501	5	8
129129-14580	7	3
129131-21591	8	13
129135-01770	3	7
129135-35090	9	3
129150-01200	1	32
129150-01600	3	2
129150-01650	3	18
129150-02020	1	10
129150-02450	7	4
129150-02870	1	34
129150-02930	1	28
129150-02940	1	37
129150-03070	4	42
129150-11230	4	11
129150-11280	4	9
129150-11370	4	14
129150-11750	4	13
129150-11810	4	21
129150-13110	6	2
	17	9
129150-14101	7	7
129150-14200	7	1

Parts No. Index

Parts No.	Fig. No.	Ref. No.
129150-14400	7	2
129150-23600	8	31
129150-23610	8	33
129150-25301	7	16
129150-35042	9	2
	17	12
129150-35111	9	18
	17	24
129150-35170	9	19
129150-49360	10	34
	17	27
129150-49811	10	26
	17	15
129150-59120	13	30
129150-59131	13	29
		33
129150-77511	5	9
	17	8
129150-91400	2	28
129155-51280	12	6
129155-61460	12	25
129202-22300	8	23
129234-53001	13	2
129255-61410	12	22
129350-49560	10	27
129400-77012	15	1
129400-77441	15	5
129400-77520	15	12
129400-77531	15	13
129400-77571	15	17
129400-92420	17	28
129410-03990	5	2
129418-32320	2	10
129457-49801	10	25
129486-01670	3	20
129486-42021	10	14
	17	13
129486-42140	10	16
	17	22
129486-59510	13	53
129486-59551	13	51
129486-77400	15	2
129486-77460	15	6
		8
129486-77470	15	7
129486-77490	15	9
129556-42350	10	20
129642-61060	12	3
129795-01780	3	19
129795-01800	2	6

Parts No.	Fig. No.	Ref. No.
129795-01900	16	32
129795-01950	2	16
129795-02411	1	13
129795-11120	4	26
129795-11180	4	27
129795-21661	8	10
129795-49551	10	28
	17	14
129900-07900	4	1
129900-32130	2	9
129900-77460	15	10
129900-77640	15	18
129916-59020	11	116
129950-59311	14	8
129961-59110	14	10
129972-77341	16	29 -1
158552-51151	7	18
158552-51570	11	49
		50
158552-51580	11	62
158552-51600	11	64
158552-51670	11	114
158552-51780	11	79
158552-52100	11	86
158552-52310	11	88
158552-52400	11	102
158552-52500	11	87
158552-61441	12	24
158552-61900	12	77 -1
158553-51551	11	58
158553-51630	11	72
158553-51640	11	74
158553-51660	11	76
158553-51680	11	67
158553-51770	11	77
158553-51770	11	106 -1
158553-61050	12	2
158553-61070	12	4
158557-51570	11	61
158560-51300	11	46
158563-51281	11	44
		45
158563-51330	11	47
158600-51270	11	27
158601-51340	11	48
158601-51550	11	57
158601-51570	11	60
158601-51650	11	75
158601-51770	11	78
158601-51790	11	80

Parts No.	Fig. No.	Ref. No.
171008-77410	15	3
171008-77420	15	4
171008-77510	15	11
171008-77540	15	14
171008-77650	15	19
171008-77660	15	20
171008-77670	15	21
171051-01921	1	9
171058-01630	3	8
171058-01641	3	9
171350-13100	6	1
171440-44740	10	22
22190-080002	9	10
		11
22190-100002	9	12
	17	17
	17	10
22190-120000	12	59
22190-120002	11	89
		90
		91
22190-180002	11	92
		93
22217-140000	7	19
22252-000260	8	24
22312-050140	11	94
22351-030010	8	8
22351-050010	11	95
22351-060012	4	35
22512-070140	7	8
22857-500100	4	50
		51
23414-080000	10	30
23857-030000	9	9
23857-060000	11	98
23876-010000	10	11
23876-020000	10	12
23876-030000	2	4
23876-040000	2	5
23887-120002	11	99
	12	61
24311-000070	11	101
24311-000120	4	53
	17	19
24311-000320	2	23
	4	54
	17	20
24311-240100	9	22
	17	25
24341-000240	2	30

Parts No.	Fig. No.	Ref. No.
24341-000240	17	21
24341-000280	12	77
24356-010180	11	103
24356-010200	11	70
		104
24372-000150	11	71
26106-060102	11	105
	12	63
26106-060142	12	78
		79
26106-060162	2	31
26106-060202	10	24
	12	80
26106-060322	15	28
26106-060352	11	106
26106-060402	15	29
26106-080122	10	42
26106-080142	4	2
	7	9
26106-080162	2	24
		25
	3	11
	4	2 -1
	9	23
	10	18
	11	119
26106-080202	5	6
	9	20
	10	29
	11	120
26106-080252	3	12
	4	36
26106-080302	14	3
26106-080352	3	21
	4	37
	5	10
	9	4
26106-080402	7	15
26106-080452	3	13
	10	44
	16	30
26106-080502	4	38
26106-080552	2	26
26106-080602	3	14
	10	19
26106-080802	5	7
26116-120202	15	30
26206-100202	3	3
26206-100252	3	4
26216-060162	11	107

Parts No. Index

Parts No.	Fig. No.	Ref. No.
26306-080002	2	27
	6	6
26306-100002	16	31
26366-060002	9	13
26450-080452	11	111
26756-060002	12	64
26776-140002	7	20
27241-120000	1	14
27241-300000	1	15
27241-400000	4	23
27310-080000	4	30
719802-01500	2	1
729004-01560	1	1
729244-51330	11	1
729244-53100	13	1
729247-92600	17	1
729402-23100	8	25
977770-1207F	17	29
X211455500	15	25
X2114955020	15	26
X2240410100	15	27
X9490561001	16	3

Parts No.	Fig. No.	Ref. No.
-----------	----------	----------

Parts No.	Fig. No.	Ref. No.
-----------	----------	----------

Parts No.	Fig. No.	Ref. No.
-----------	----------	----------