

0CB10-M70501EN

Directions for the Parts Catalog.

1. This Parts Catalog shows both standard and optional parts.
2. Parts may change without prior notice.
3. The following is an example of the Parts Catalog format.

REF.	LEV.	PARTS NO.	DESCRIPTION	Q'TY						I	R
				(A)	(B)	(C)	(D)	(E)	(F)		
1	1	729595-51390	FUEL INJECTION PUMP	1	1	1	1	1			1
1-1	1	729595-51391	FUEL INJECTION PUMP	1	1	1	1	1		N	1
		(A=E00185) (B=E00200)									
3	2	26022-060162	SCREW M 6X 16	9	9	9	9	9			
3-1	2	26022-060162	SCREW M 6X 16	4	4	4	4	4		K	
		(A=E00156) (B=E00156) (C=E00156) (D=E00156) (E=E00156)									
4	2	129470-51040	CAMSHAFT	1	1	1	1	1			
5	2	122710-51050	BEARING, ROLLER	2	2	2	2	2			
6	2	129470-51060	RETAINER	1	1	1	1	1			

Remarks
(1) BOOST COMPEMSATOR TYPE. OPTIONAL PART, TO E00155,(4JH-DT, 4JH-DTZ

① Ref. No.

The Ref. No. listed may not be in accordance with the illustration Ref. No.

(Ex.) Illustration No.

List Ref No.

1

1

(Before change)

1-1

(After change)

For interchangeable symbols N, R and K, illustrations for new parts may be abbreviated.

② Lev. (Level)

Level indication

The numbers below indicate the level of relativity towards the main part.

1 ----- Main parts (Assembly parts)

2 ----- Sub component included in " 1 ".

3 ----- Sub component included in " 2 ".

Note) Parts that are not for sale are partially illustrated but not listed.

③ Interchangeability Symbol

When a part change takes place, one of the following interchangeability symbols is indicated beside the part.

Symbol	Interchangeability	Contents note
N	Old $\begin{matrix} \leftarrow \text{Yes} \\ \text{No} \rightarrow \end{matrix}$ New	New Part is interchangeable for Old Part but Old Part is not interchangeable for New Part.
Q	Old $\begin{matrix} \leftarrow \text{No} \\ \text{Yes} \rightarrow \end{matrix}$ New	New Part is not interchangeable for Old Part but Old Part is interchangeable for New Part.
R	Old $\begin{matrix} \leftarrow \text{Yes} \\ \text{Yes} \rightarrow \end{matrix}$ New	New/ Old Parts are both interchangeable.
S	Old $\begin{matrix} \leftarrow \text{No} \\ \text{No} \rightarrow \end{matrix}$ New	New/ Old Parts are both not interchangeable.
W		Part newly added.
Z		Part discontinued.
F		Not interchangeable by a single part but interchangeable together with related parts.
K		Changes only for used parts quantities.

④ Effective Machine No.

When a part changes, the effective Machine No. will be indicated in the (A)-(F) column.

Product Symbol	Product No.	Product Symbol	Product No.
C	Clutch No. Compressor No.	F	Machine No. (Agricultural Equip.)
D	Drive No.	M	Machine No.
E	Engine No.		

Note 1) A date may follow the symbol. (Ex.) 1996.01

Note 2) "XXXXX" and "ZZZZZ" are for parts that could not be predicted or for engine models that could not be identified.

Note 3) (A=E00185) is the E (Engine Serial Number) for the column (A) model (in this case 4JH-DT) after the parts design change.

⑤ Remarks

Figures or alphabets (symbols) are entered in the remarks column.

The comments (remarks) on parts that are indicated at the bottom of the illustration are the same symbols as those stated above.

Contents

OCB10-M70501

Fig. No. Fig. Name

Fig. No. Fig. Name

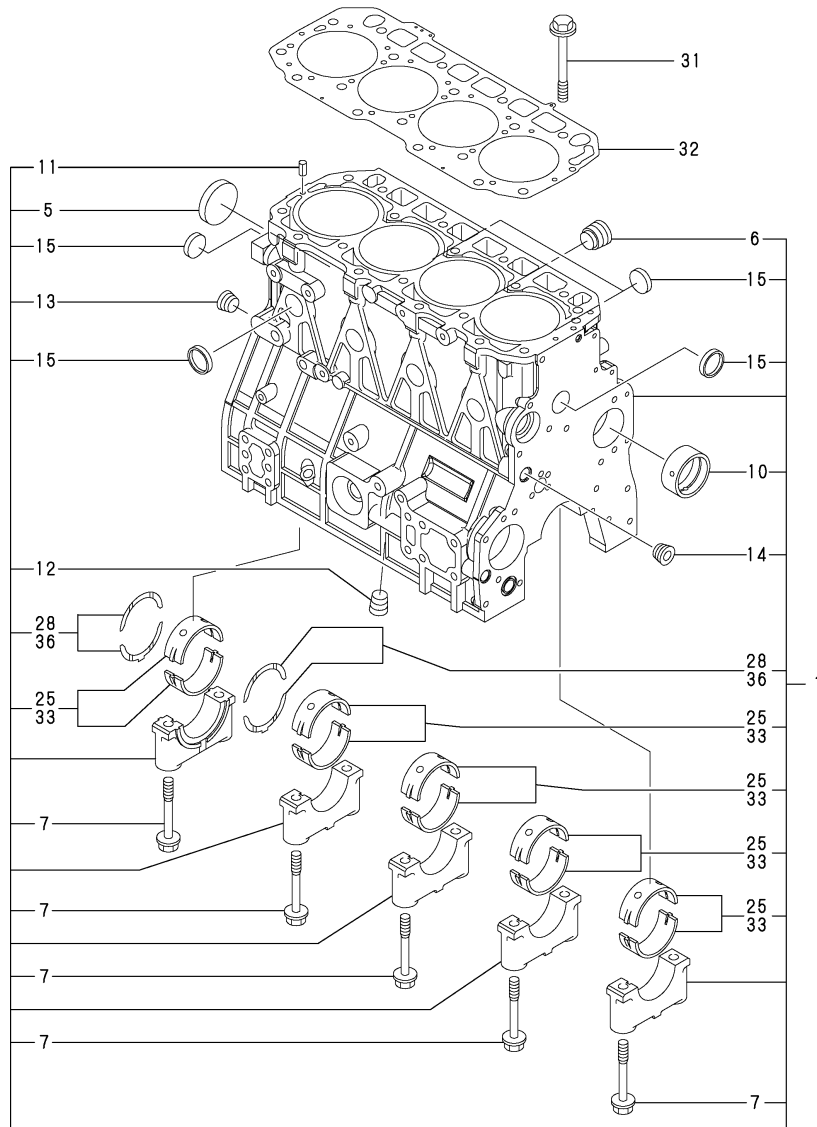
ENGINE

1. CYLINDER BLOCK
2. GEAR HOUSING
3. FLYWHEEL HOUSING & OIL SUMP
4. CYLINDER HEAD & BONNET
5. SUCTION MANIFOLD
6. EXHAUST MANIFOLD & SILENCER
7. CAMSHAFT & DRIVING GEAR
8. CRANKSHAFT & PISTON
9. LUB. OIL SYSTEM
10. COOLING WATER SYSTEM
11. FUEL INJECTION PUMP
12. GOVERNOR
13. FUEL INJECTION VALVE
14. FUEL PIPE
15. STARTER MOTOR
16. GENERATOR
17. GASKET SET & TOOL

Fig.1. CYLINDER BLOCK

(A)=4TNV98-XBV
(B)=
(C)=

(D)=
(E)=
(F)=

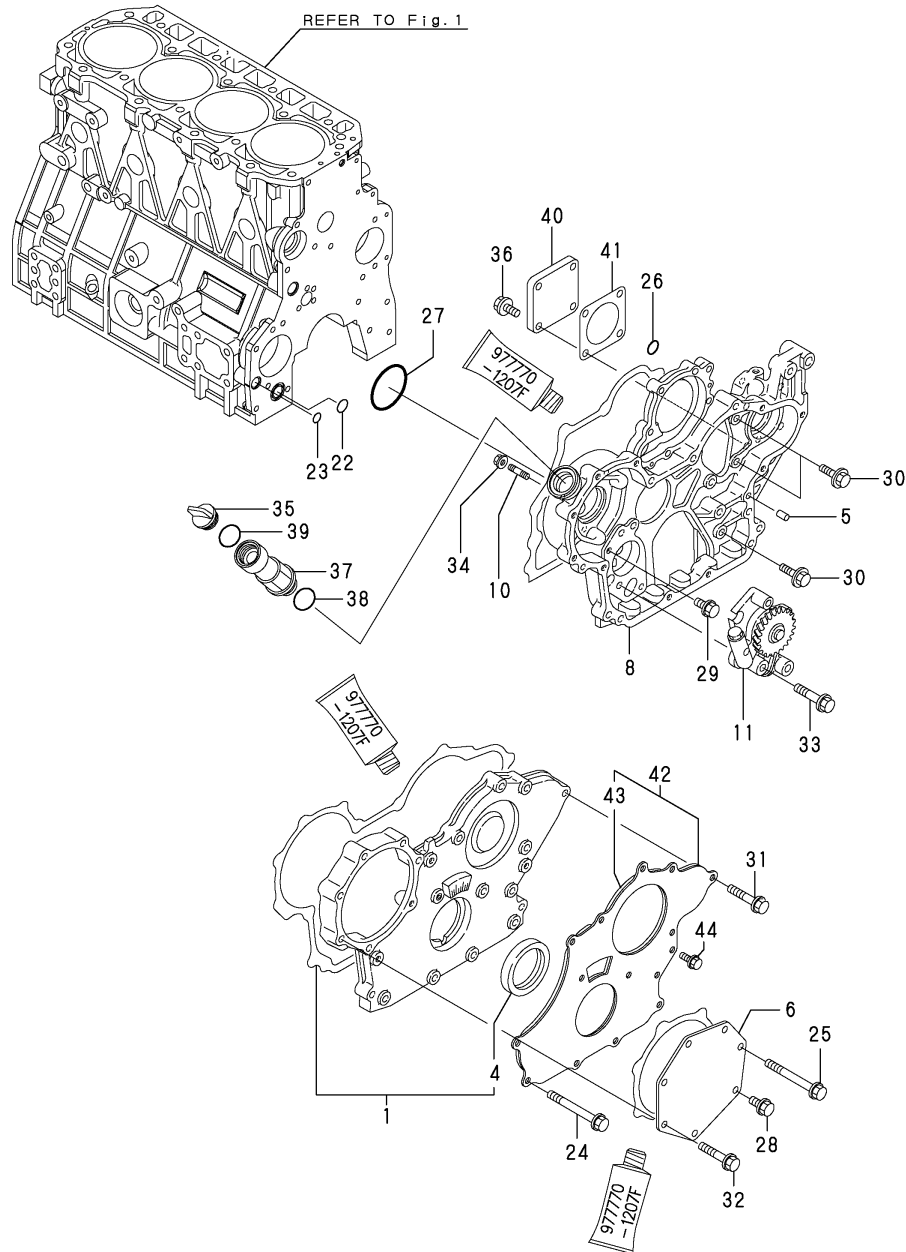


No.	Lev.	Parts No.	Description	Q'ty						I	R
				(A)	(B)	(C)	(D)	(E)	(F)		
1	1	729907-01560	BLOCK ASSY, CYLINDER	1							
5	3	129900-01250	PLUG, DISH TYPE 55	1							
6	3	171051-01921	PLUG, NPTF1	1							
7	3	129900-02020	BOLT, METAL CAP	10							
10	3	129900-02410	BUSH, CAMSHAFT	1							
11	3	22351-060012	PIN, SPRING 6.0X12	2							
12	3	23876-030000	PLUG, R03	1							
13	3	23876-030000	PLUG, R03	1							
14	3	23876-030000	PLUG, R03	1							
15	3	27241-300000	PLUG 30	8							
25	2	729900-02800	BEARING, MAIN	5							3
25-1	2	729900-02801	BEARING, MAIN	5							N 3
(A=E/#25192)											
28	2	129900-02930	BEARING ASSY, THRUST	2							3
28-1	2	129900-02931	BEARING ASSY, THRUST	2							N 3
(A=E/#25192)											
31	1	129900-01200	BOLT, CYLINDER HEAD	18							
32	1	129907-01331	GASKET, HEAD	1							
33	1	129900-02340	BEARING ASSY, MAIN	5							1
33-1	1	129900-02341	BEARING ASSY, MAIN	5							N 1
(A=E/#25192)											
36	1	129900-02940	BEARING, THRUST 0.25	2							2
36-1	1	129900-02941	BEARING, THRUST 0.25	2							N 2
(A=E/#25192)											

Remarks

- (1) Under-sized (U.S.=0.25) parts.
- (2) Over-sized (O.S.=0.25) parts.
- (3) Spare parts.

Fig.2. GEAR HOUSING

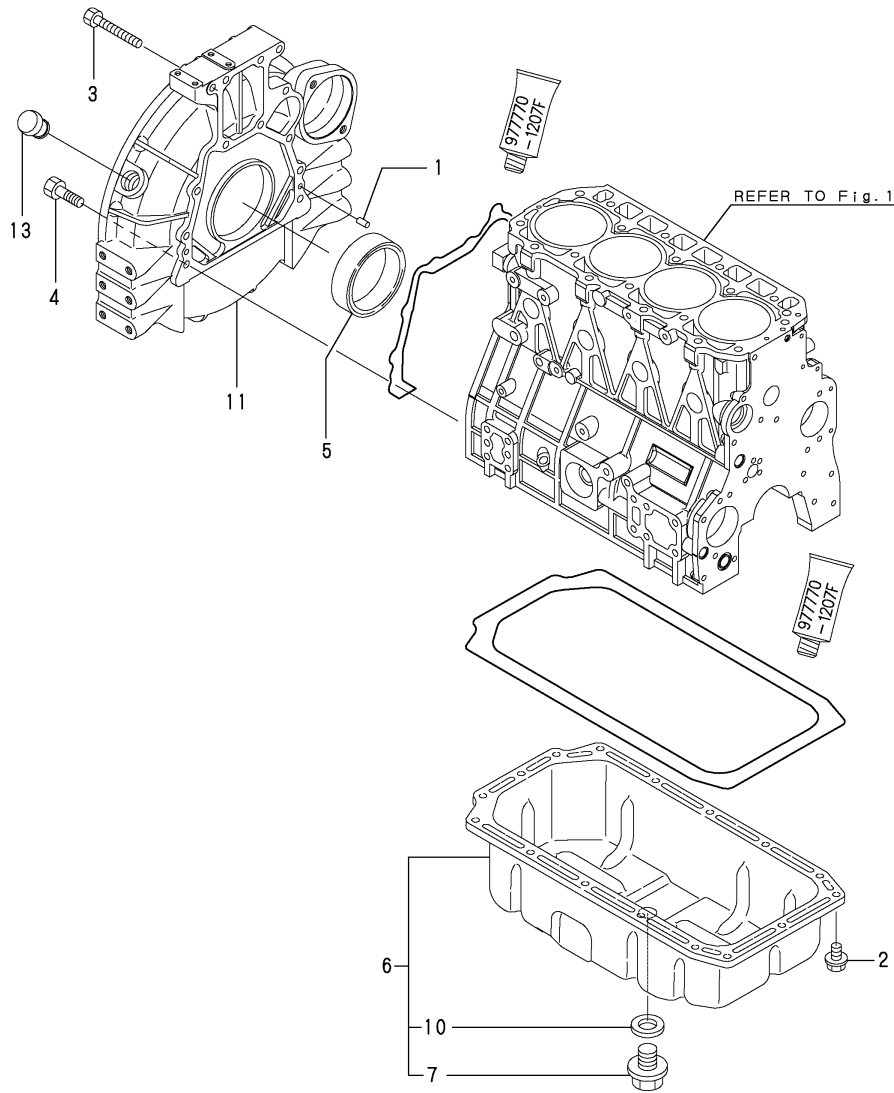


(A)=4TNV98-XBV
(B)=
(C)=

(D)=
(E)=
(F)=

No.	Lev.	Parts No.	Description	Q'ty						I	R
				(A)	(B)	(C)	(D)	(E)	(F)		
1	1	729907-01550	COVER ASSY,GEAR CASE	1							
4	2	129900-01780	SEAL, OIL	1							
4-1	2	129916-01800	SEAL, OIL	1							N
(A=*2008.12)											
5	1	129100-01580	PIN, PARALLEL 8X16	4							
6	1	129951-01740	COVER	1							
8	1	129907-01500	CASE, GEAR	1							
10	1	26216-100302	STUD, M10X 30	4							
11	1	129900-32001	PUMP ASSY, OIL	1							
22	1	129900-32030	O-RING, P20	1							
23	1	129900-32040	O-RING, P14	1							
24	1	129001-91810	BOLT, M8X70	6							
25	1	129001-91810	BOLT, M8X70	1							
26	1	24311-000070	O-RING, 1AP7.0	1							
27	1	24351-030750	O-RING, 1A3075	1							
28	1	26106-080162	BOLT, M8X 16 PLATED	1							
29	1	26106-080162	BOLT, M8X 16 PLATED	1							
30	1	26106-080202	BOLT, M8X 20 PLATED	3							
31	1	26106-080402	BOLT, M8X 40 PLATED	5							
32	1	26106-080402	BOLT, M8X 40 PLATED	5							
33	1	26106-080452	BOLT, M8X 45 PLATED	3							
34	1	26306-100002	NUT, M10	4							
35	1	124160-01751	CAP, FILLER	1							
36	1	26106-080162	BOLT, M8X 16 PLATED	4							
37	1	171031-11741	PIPE	1							
38	1	24311-000320	O-RING, 1AP32.0	1							
39	1	24311-000320	O-RING, 1AP32.0	1							
40	1	124240-01871	COVER, PUMP	1							
41	1	124240-01883	GASKET	1							
42	1	129900-01850	COVER ASSY,GEAR CASE	1							
43	2	129900-01870	SPONGE, GEAR CASE	1							
44	1	26106-080162	BOLT, M8X 16 PLATED	3							

Fig.3. FLYWHEEL HOUSING & OIL SUMP

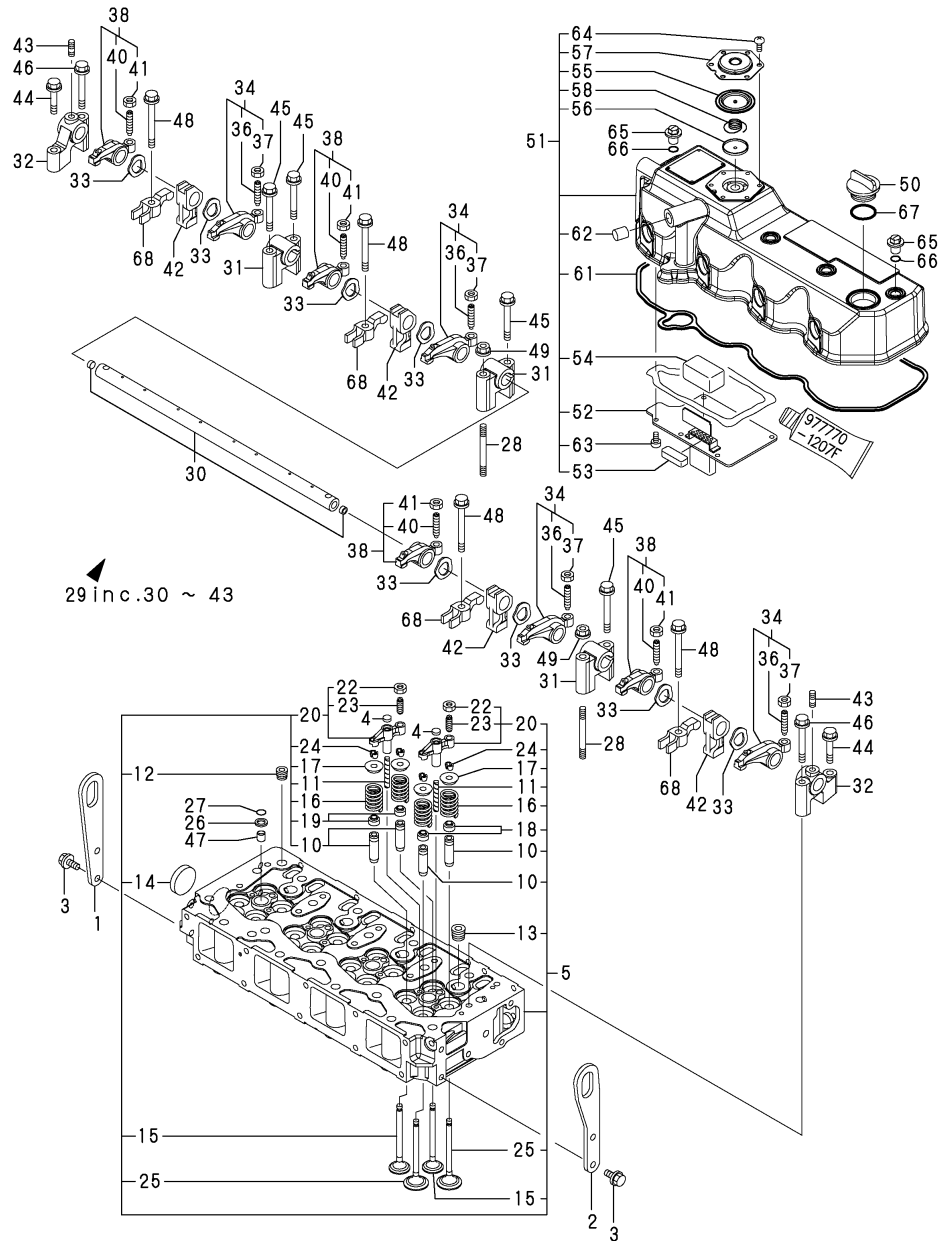


(A)=4TNV98-XBV
(B)=
(C)=

(D)=
(E)=
(F)=

No.	Lev.	Parts No.	Description	Q'ty						I	R
				(A)	(B)	(C)	(D)	(E)	(F)		
1	1	129100-01580	PIN, PARALLEL 8X16	2							
2	1	26106-080122	BOLT, M8X 12 PLATED	16							
3	1	26206-100702	BOLT, M10X 70 PLATED	4							
4	1	26206-100352	BOLT, M10X 35 PLATED	9							
5	1	124411-01780	SEAL, HTC95X115X12	1							
6	1	129916-01710	OIL PAN ASSY	1							
7	2	119640-01640	PLUG, DRAIN M22	1							
10	2	22190-220002	WASHER, SEAL 22	1							
11	1	129953-01620	HOUSING, FLYWHEEL	1							
13	1	119620-01750	CAP	1							W
(A=FROM 1ST)											

Fig.4. CYLINDER HEAD & BONNET



(A)=4TNV98-XBV

(B)=

(C)=

(D)=

(E)=

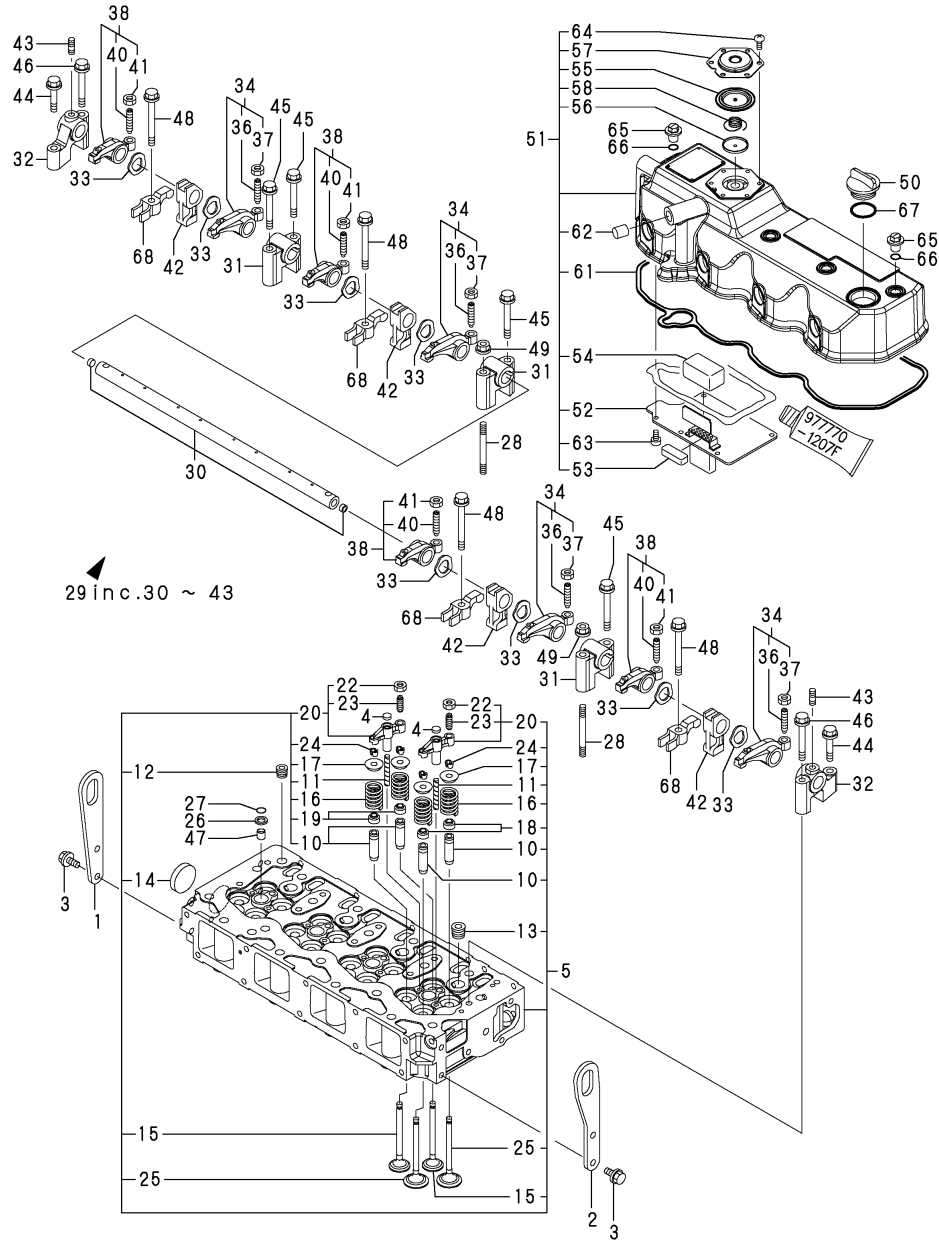
(F)=

No.	Lev.	Parts No.	Description	Q'ty						I	R
				(A)	(B)	(C)	(D)	(E)	(F)		
1	1	129910-07900	LIFTER, ENGINE	1							
2	1	129907-07900	LIFTER, ENGINE	1							
3	1	26106-080162	BOLT, M8X 16 PLATED	4							
4	1	123907-11550	SEAT, VALVE BRIDGE	8							
5	1	129907-11700	HEAD ASSY, CYLINDER	1							
10	2	129907-11800	GUIDE, VALVE	16							1
11	2	123907-11820	GUIDE, BRIDGE	8							
12	2	23876-020000	PLUG, R02	1							
13	2	23876-030000	PLUG, R03	4							
14	2	27241-400000	PLUG, 40	1							
15	2	129907-11110	VALVE, EXHAUST	8							
16	2	129907-11120	SPRING, VALVE	16							
17	2	119620-11180	RETAINER, SPRING	16							
18	2	124160-11340	SEAL, VALVE STEM	8							
19	2	124950-11340	SEAL, VALVE STEM	8							
20	2	129907-11510	BRIDGE ASSY, VALVE	8							
22	3	129150-11750	NUT, M8	8							
23	3	123907-11830	ADJUSTER	8							
24	2	27310-070001	COTTER, 7	16							
25	2	129907-11100	VALVE, SUCTION	8							
26	1	119625-11880	SEAT, NOZZLE	4							
27	1	24311-000120	O-RING, 1AP12.0	4							
28	1	119593-11301	BOLT, STUD M8X80	2							
29	1	129907-11341	SHAFT ASSY, ROCKER	1							
30	2	129907-11250	SHAFT, ROCKER ARM	1							
31	2	129907-11260	SUPPORT, ROCKER ARM	3							
32	2	129907-11270	SUPPORT, ROCKER ARM	2							
33	2	123907-11280	WASHER	8							
34	2	129907-11650	ARM ASSY, ROCKER	4							
36	3	129150-11230	SCREW, VALVE ADJUST	4							
37	3	129150-11750	NUT, M8	4							
38	2	129907-11660	ARM ASSY, ROCKER	4							
40	3	129150-11230	SCREW, VALVE ADJUST	4							
41	3	129150-11750	NUT, M8	4							
42	2	129907-11920	RETAINER, NOZZLE	4							
43	2	26226-080222	STUD, M8X 22	2							
44	1	26106-080402	BOLT, M8X 40 PLATED	2							
45	1	26106-080602	BOLT, M8X 60 PLATED	4							
46	1	26106-080602	BOLT, M8X 60 PLATED	2							
47	1	119802-11870	PROTECTOR, NOZZLE	4							
48	1	129907-11950	BOLT, M8X75	4							
49	1	26306-080002	NUT, M8	2							
50	1	124160-01751	CAP, FILLER	1							
51	1	129907-11320	BONNET ASSY, HEAD	1							
52	2	129907-03010	PLATE, BAFFLE	1							
52-1	2	129907-03011	PLATE, BAFFLE	1							S
				(A=E/#06068)							
53	2	129907-03060	BAFFLE, BREATHER	1							
53-1	2	129907-03061	BAFFLE, BREATHER	1							S
				(A=E/#06068)							
54	2	129907-03070	BAFFLE, BREATHER	1							

Remarks

(1) Spare parts.

Fig.4. CYLINDER HEAD & BONNET



(A)=4TNV98-XBV
(B)=
(C)=

(D)=
(E)=
(F)=

No.	Lev.	Parts No.	Description	Q'ty						I	R
				(A)	(B)	(C)	(D)	(E)	(F)		
55	2	123907-03100	DIAPHRAGM	1							
56	2	123907-03110	PLATE	1							
57	2	123907-03120	PLATE, BREATHER	1							
58	2	123907-03140	SPRING, DIAPHRAGM	1							
61	2	129907-11310	GASKET, BONNET	1							
62	2	119640-61400	PLUG	1							
63	2	22857-500100	SCREW, 5X10	6							
64	2	22857-500100	SCREW, 5X10	6							
65	1	124160-11360	KNOB	4							
66	1	24311-000120	O-RING, 1AP12.0	4							
67	1	24311-000320	O-RING, 1AP32.0	1							
68	1	129907-11910	RETAINER, NOZZLE	4							

Remarks

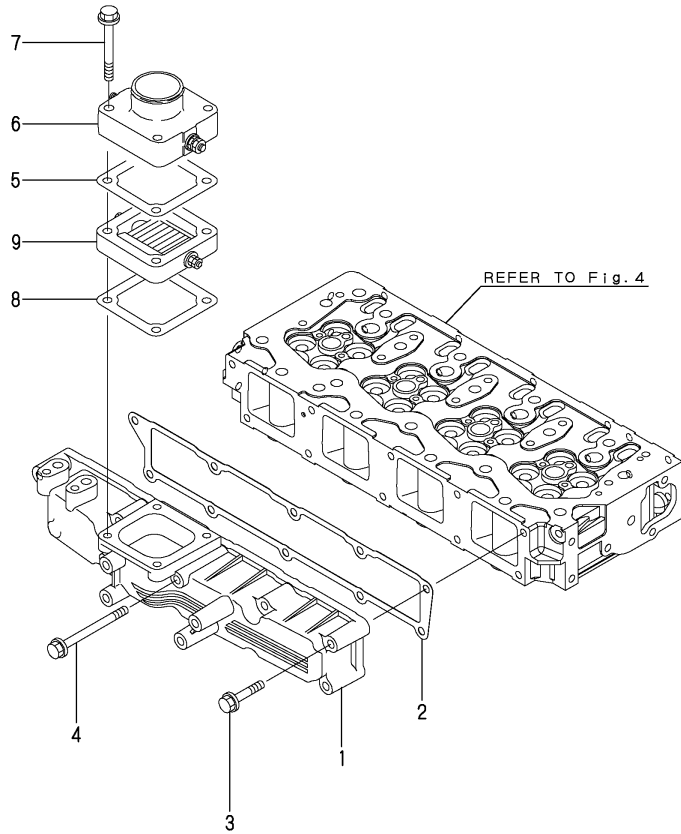
(1) Spare parts.

N:Old $\xrightarrow{\text{Yes}}$ New, Q:Old $\xrightarrow{\text{No}}$ New, R:Old $\xrightarrow{\text{Yes}}$ New, S:Old $\xrightarrow{\text{No}}$ New, W:Add, Z:Discontinued, F:Interchangeable by set, K:Q'ty Change

Fig.5. SUCTION MANIFOLD

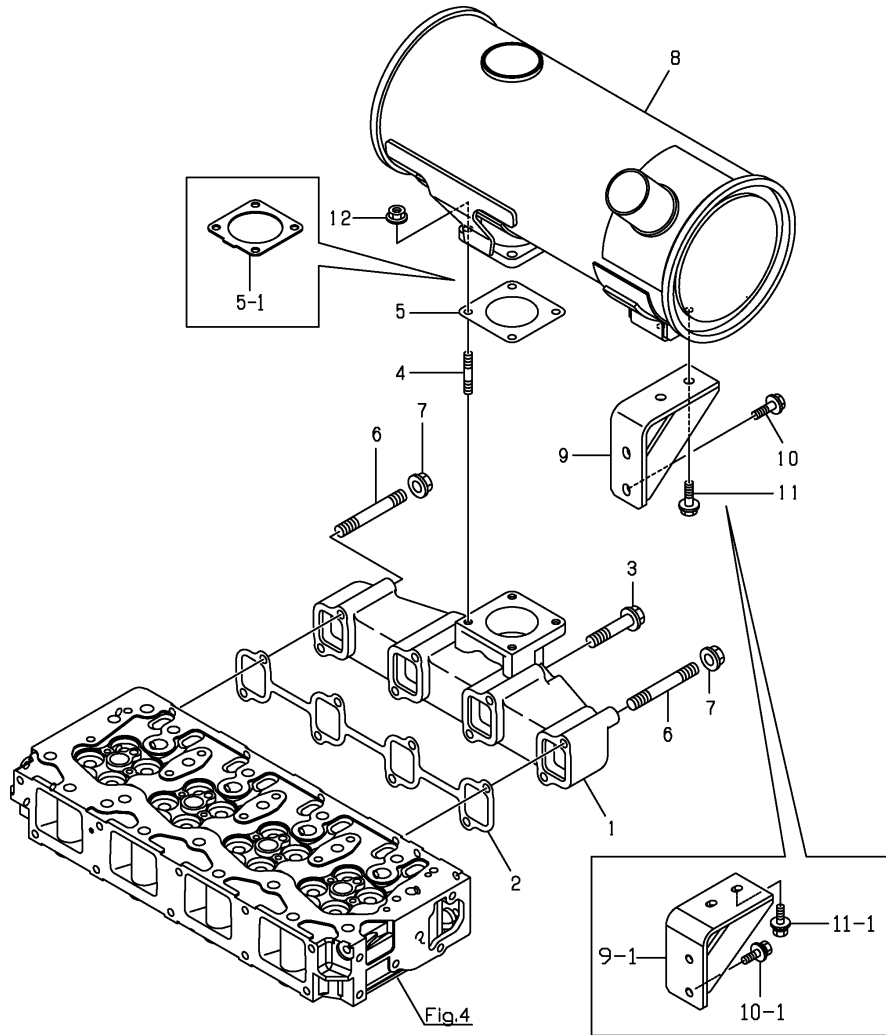
(A)=4TNV98-XBV
(B)=
(C)=

(D)=
(E)=
(F)=



No.	Lev.	Parts No.	Description	Q'ty						I	R
				(A)	(B)	(C)	(D)	(E)	(F)		
1	1	129907-12100	MANIFOLD, AIR INTAKE	1							
2	1	129907-12110	GASKET, MANIFOLD	1							
3	1	26106-080552	BOLT, M8X 55 PLATED	9							
4	1	26106-080852	BOLT, M8X 85 PLATED	1							
5	1	121850-77021	GASKET, AIR HEATER	1							
6	1	129915-77050	HEATER, AIR 12V	1							
7	1	26106-080552	BOLT, M8X 55 PLATED	4							
8	1	119129-77020	GASKET	1							
9	1	119005-77050	HEATER, AIR	1							

Fig.6. EXHAUST MANIFOLD & SILENCER



(A)=4TNV98-XBV
(B)=
(C)=

(D)=
(E)=
(F)=

No.	Lev.	Parts No.	Description	Q'ty						I	R
				(A)	(B)	(C)	(D)	(E)	(F)		
1	1	129900-13200	MANIFOLD, EXHAUST	1							
2	1	129900-13251	GASKET, EXH.MANIFOLD	1							
3	1	123900-13630	BOLT, M8X80	6							
4	1	119131-18320	BOLT, STUD M8X22	4							
5	1	129400-13201	GASKET, SILENCER	1							
5-1	1	129930-13201	GASKET, SILENCER	1						F	1
(A=2016.02.)											
6	1	123900-13610	BOLT, STUD M8X80	2							
7	1	26306-080002	NUT, M8	2							
8	1	129953-13580	SILENCER	1							
8-1	1	129953-13581	SILENCER	1						N	
(A=E/#44997)											
9	1	129908-13650	STAY, SILENCER	1							
9-1	1	129938-13682	STAY, SILENCER	1						F	1
(A=2016.02.)											
10	1	26106-080162	BOLT, M8X 16 PLATED	2							
10-1	1	26014-080202	BOLT, M8X 20	2						N	2
(A=2016.02.)											
11	1	26106-080202	BOLT, M8X 20 PLATED	2							
11-1	1	26014-080222	BOLT, M8X 22	2						N	2
(A=2016.02.)											
12	1	26306-080002	NUT, M8	4							

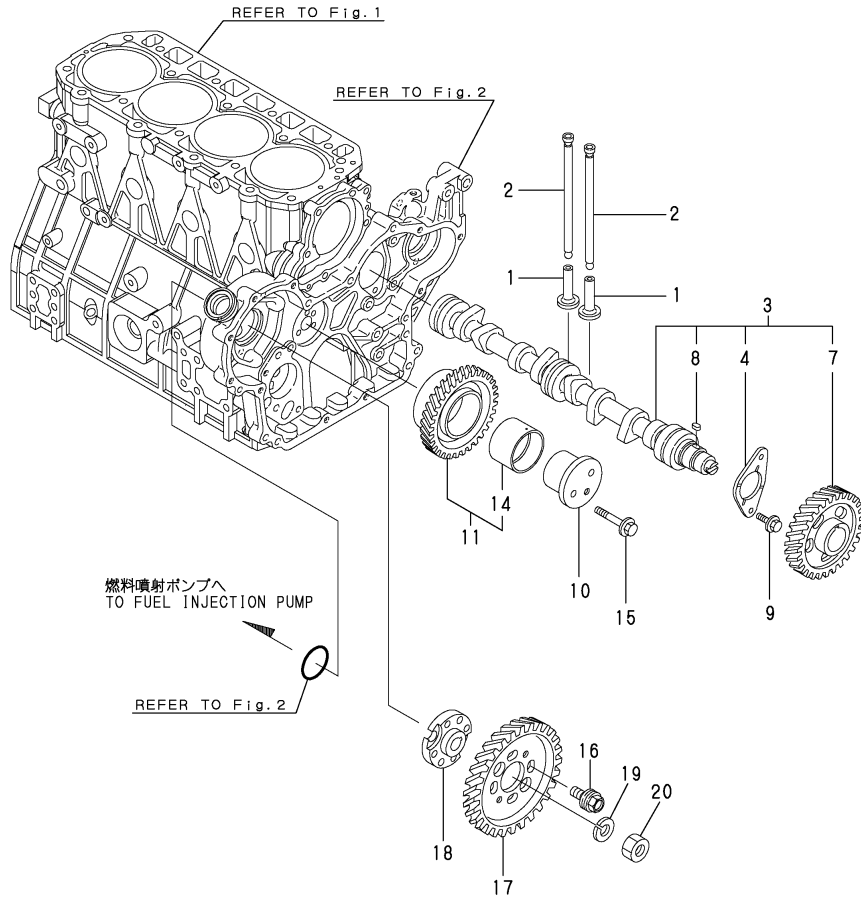
Remarks

- (1)No.5-1, 9-1 interchangeable by set. Spare parts.
- (2)Spare parts.

Fig.7. CAMSHAFT & DRIVING GEAR

(A)=4TNV98-XBV
(B)=
(C)=

(D)=
(E)=
(F)=

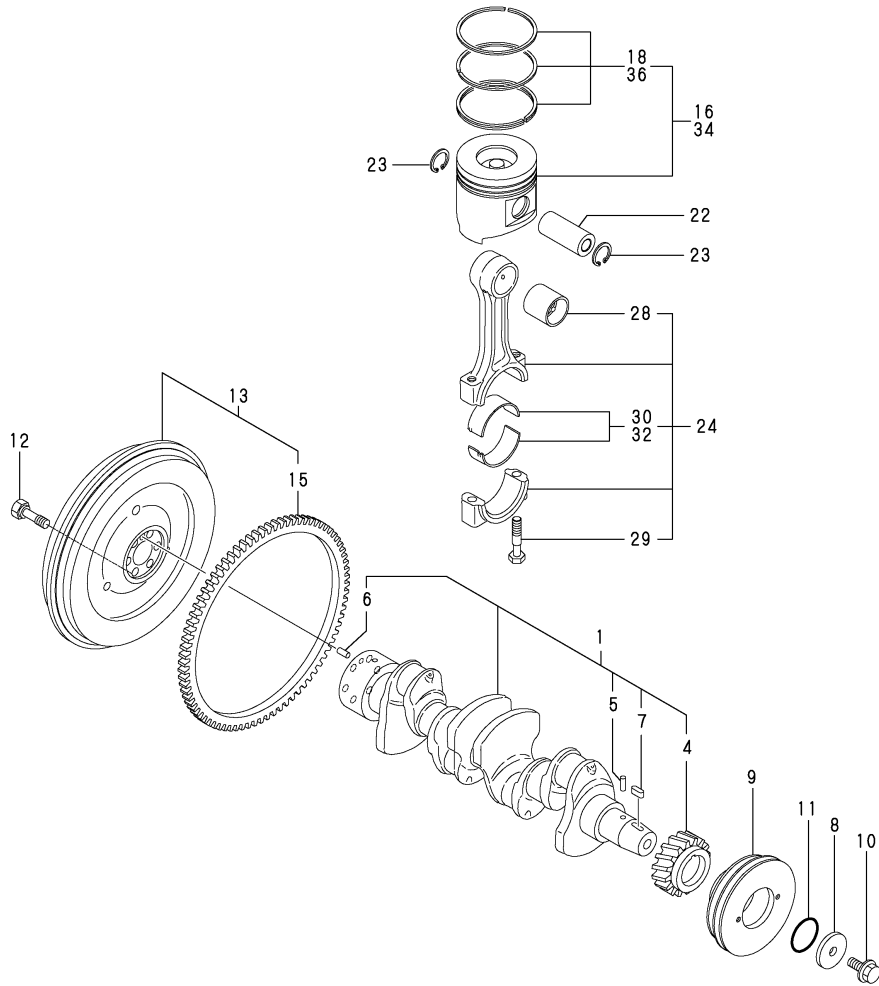


No.	Lev.	Parts No.	Description	Q'ty						I	R
				(A)	(B)	(C)	(D)	(E)	(F)		
1	1	129150-14200	TAPPET	8							
2	1	129907-14400	PUSH-ROD	8							
3	1	129907-14581	CAMSHAFT ASSY	1							
3-1	1	129908-14581 (A=EZZZZZ)	CAMSHAFT ASSY	1							N
4	2	129150-02450	BEARING, THRUST	1							
7	2	129900-14100	GEAR, CAMSHAFT	1							
8	2	22512-070140	KEY, 7X 14	1							
9	1	26106-080162	BOLT, M8X 16 PLATED	2							
10	1	123900-25060	SHAFT, IDLE GEAR	1							
11	1	129900-25100	GEAR ASSY, IDLE	1							
14	2	129150-25920	BUSH, IDLE GEAR	1							1
15	1	26106-080552	BOLT, M8X 55 PLATED	3							
16	1	129953-25300	BOLT	4							
17	1	123907-25909	GEAR, PUMP	1							
17-1	1	129907-25900 (A=E/#07177)	GEAR, PUMP	1							R
18	1	158563-51150	FLANGE	1							
19	1	22217-180000	WASHER, SPRING 18	1							
20	1	26776-180002	NUT, LOCK M18	1							

燃料噴射ポンプへ
TO FUEL INJECTION PUMP

Remarks
(1) Spare parts.

Fig.8. CRANKSHAFT & PISTON



(A)=4TNV98-XBV

(B)=

(C)=

(D)=

(E)=

(F)=

No.	Lev.	Parts No.	Description	Q'ty						I	R
				(A)	(B)	(C)	(D)	(E)	(F)		
1	1	129902-21000	CRANKSHAFT ASSY	1							
4	2	129900-21200	GEAR, CRANKSHAFT	1							
5	2	121850-21290	PIN	1							
6	2	121850-21920	PIN, PARALLEL 10X22	1							
7	2	22512-070140	KEY, 7X 14	1							
8	1	129960-21640	WASHER	1							
9	1	129953-21610	V-PULLEY, CRANKSHAFT	1							
9-1	1	129953-21611	V-PULLEY, CRANKSHAFT	1							N
(A=#2008.12)											
10	1	121850-21680	BOLT	1							
11	1	24341-000530	O-RING, 1AS53.0	1							
12	1	121850-21130	BOLT, FLYWHEEL	6							
13	1	129953-21581	FLYWHEEL ASSY	1							
15	2	129900-21600	GEAR, RING	1							
16	1	129907-22090	PISTON ASSY, 18.5	4							
18	2	129907-22050	RING SET, PISTON	4							
22	1	120130-22301	PIN, PISTON	4							
23	1	22252-000300	RING, 30	8							
24	1	129900-23001	ROD ASSY, CONNECTING	4							
28	2	129900-23911	BEARING, PISTON PIN	4							1
29	2	129900-23200	BOLT, CONNECTING ROD	8							
30	2	129900-23600	BEARING, CRANK PIN	4							1
30-1	2	129900-23601	BEARING, CRANK PIN	4							N 1
(A=E/#25192)											
32	1	129900-23610	BEARING ASSY, 0.25US	4							2
34	1	729907-22910	PISTON ASSY, 0.25 OS	4							3
36	2	729907-22950	RING SET, 0.25 OS	4							3

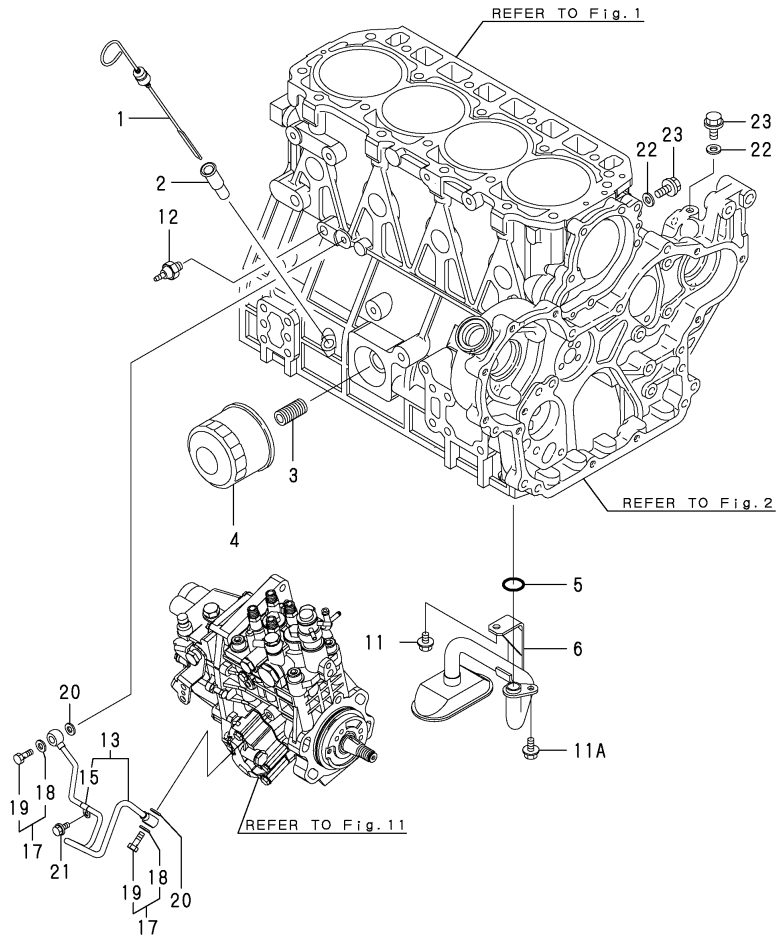
Remarks

- (1) Spare parts.
- (2) Under-sized (U.S.=0.25) parts.
- (3) Over-sized (O.S.=0.25) parts.

Fig.9. LUB. OIL SYSTEM

(A)=4TNV98-XBV
(B)=
(C)=

(D)=
(E)=
(F)=



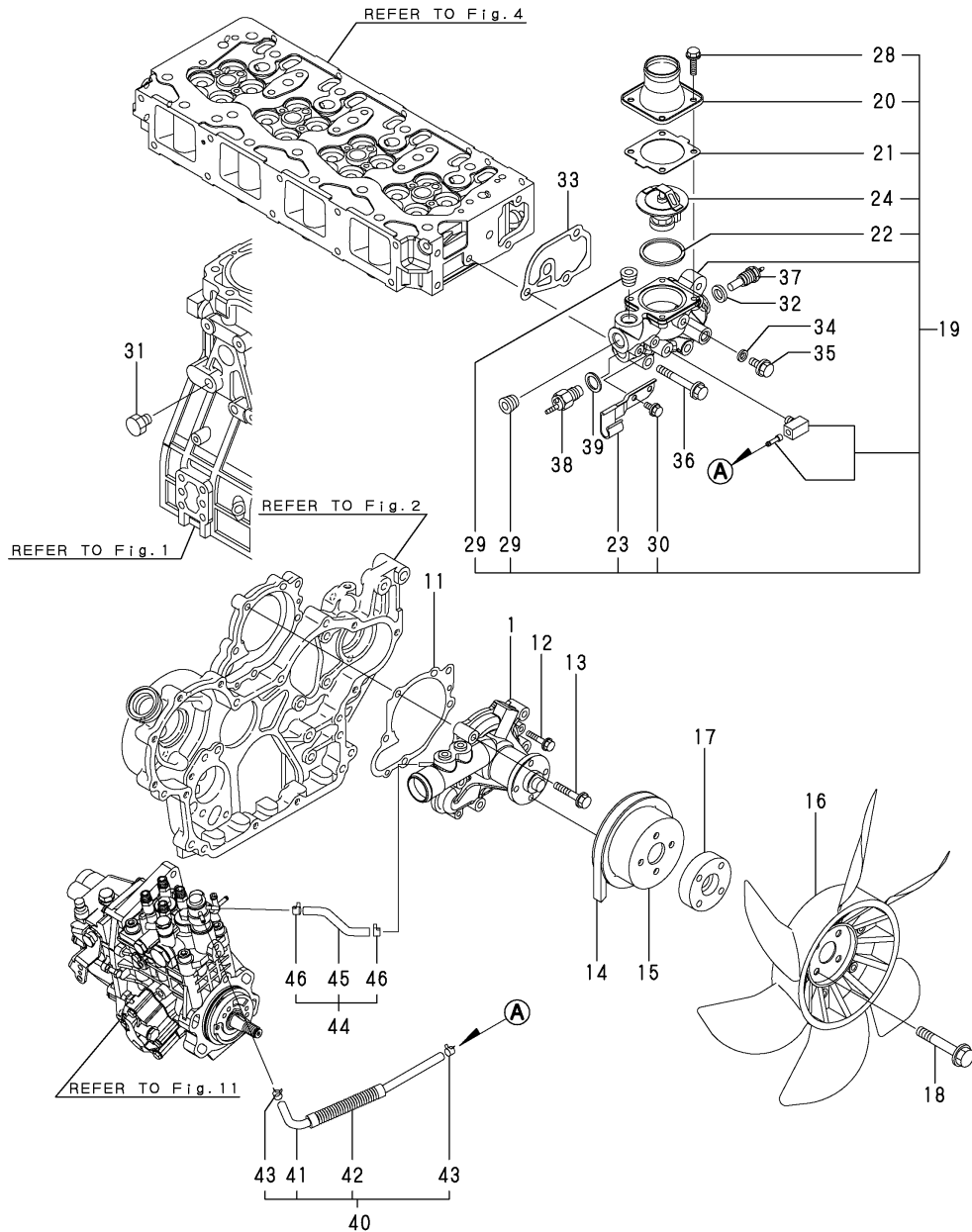
No.	Lev.	Parts No.	Description	Q'ty						I	R
				(A)	(B)	(C)	(D)	(E)	(F)		
1	1	129953-34830	DIPSTICK	1							
2	1	121520-34810	GUIDE, DIPSTICK	1							
3	1	119000-35140	BOLT, STUD FILTER	1							
4	1	129150-35170	FILTER,LO	1							1
5	1	129900-32030	O-RING, P20	1							
6	1	129953-35000	PIPE ASSY, OIL INLET	1							
11	1	26106-080122	BOLT, M8X 12 PLATED	1							
11A	1	26106-080162	BOLT, M8X 16 PLATED	1							
12	1	114250-39450	SWITCH, HYDRAULIC	1							
13	1	129907-39061	PIPE ASSY, OIL	1							
15	2	123907-39500	RETAINER, PIPE	1							
17	1	129005-59830	BOLT ASSY, JOINT M8	2							
18	2	22190-080002	WASHER, SEAL 6	2							
19	2	23857-030000	BOLT, JOINT 3	2							
20	1	22190-080002	WASHER, SEAL 6	2							
21	1	26106-080122	BOLT, M8X 12 PLATED	1							
22	1	22190-080002	WASHER, SEAL 6	2							
23	1	26106-080122	BOLT, M8X 12 PLATED	2							

Remarks

(1)Spare parts.

N:Old $\xrightarrow{\text{Yes}}$ New, Q:Old $\xrightarrow{\text{No}}$ New, R:Old $\xrightarrow{\text{Yes}}$ New, S:Old $\xrightarrow{\text{No}}$ New, W:Add, Z:Discontinued, F:Interchangeable by set, K:Q'ty Change

Fig.10. COOLING WATER SYSTEM



(A)=4TNV98-XBV

(B)=

(C)=

(D)=

(E)=

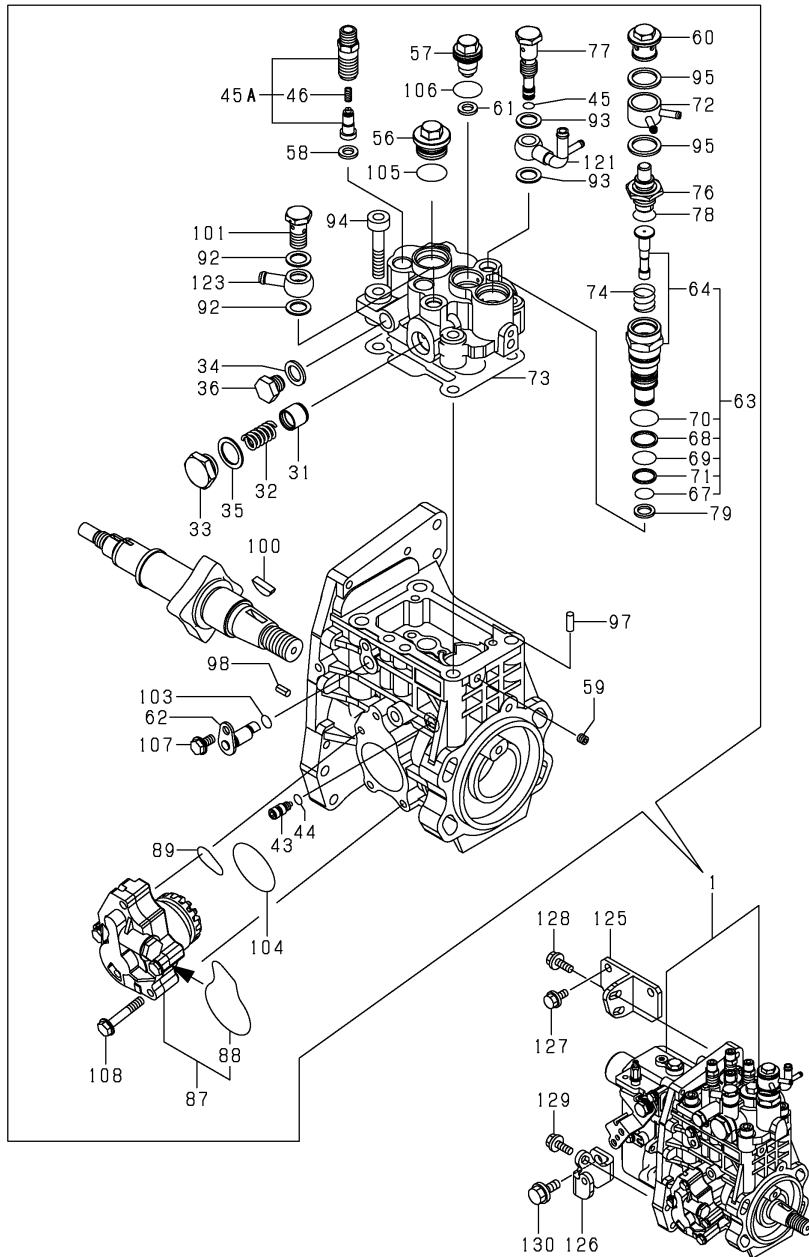
(F)=

No.	Lev.	Parts No.	Description	Q'ty						I	R
				(A)	(B)	(C)	(D)	(E)	(F)		
1	1	129907-42000	PUMP ASSY, WATER	1							
11	1	129900-42020	GASKET, WATER PUMP	1							
12	1	26106-060302	BOLT, M6X 30 PLATED	2							
13	1	26106-080552	BOLT, M8X 55 PLATED	5							
14	1	25132-004200	V-BELT, A42	1							
14-1	1	25152-004200	V-BELT, A42	1							N
(A)="08.03)											
15	1	129900-42461	V-PULLEY, C.W.PUMP	1							
16	1	129900-44700	FAN, COOLING D=410	1							
17	1	119130-44760	SPACER, FAN	1							
18	1	26106-080302	BOLT, M8X 30 PLATED	4							
19	1	129907-49800	CASE ASSY,THERMOSTAT	1							
20	2	129916-49530	COVER, THERMOSTAT	1							
21	2	121850-49540	GASKET, THERMOSTAT	1							
22	2	121850-49550	GASKET, THERMOSTAT	1							
23	2	129907-49730	RETAINER, PIPE	1							
24	2	121850-49810	THERMOSTAT, 71C	1							
28	2	26106-060202	BOLT, M6X 20 PLATED	4							
29	2	23875-030000	PLUG, R03	2							
30	2	26106-060122	BOLT, M6X 12 PLATED	2							
31	1	171056-49120	PLUG, DRAIN R1/4	1							
32	1	129150-49360	GASKET	1							
33	1	129900-49870	GASKET, THERMOSTAT	1							
34	1	23414-080000	GASKET, 8X1.0	1							
35	1	26106-080122	BOLT, M8X 12 PLATED	1							
36	1	26106-080602	BOLT, M8X 60 PLATED	3							
37	1	171056-49351	SENSOR, WATER TEMP.	1							
38	1	121250-44901	SWITCH, THERMO 110	1							
39	1	124465-44950	GASKET, 16	1							
40	1	129907-49610	HOSE ASSY, WATER	1							
41	2	129907-49710	HOSE, WATER	1							
42	2	129907-49750	TUBE, CORRUGATED	1							
43	2	124722-59050	CLAMP, HOSE 9	2							
44	1	129907-49620	HOSE ASSY, WATER	1							
45	2	129907-49720	HOSE, WATER	1							
46	2	124722-59050	CLAMP, HOSE 9	2							

Fig.11. FUEL INJECTION PUMP

(A)=4TNV98-XBV
(B)=
(C)=

(D)=
(E)=
(F)=



No.	Lev.	Parts No.	Description	Q'ty						I	R
				(A)	(B)	(C)	(D)	(E)	(F)		
1	1	729940-51330	FIE ASSY	1							1
31	4	158601-51770	PISTON, ACCUMLATOR	1							
32	4	158552-51780	SPRING, ACCUMULATOR	1							
(A=E/#*****)											
32-1	4	158552-51781	SPRING, ACCUMULATOR	1							N
(A=E/#*****)											
33	4	158601-51790	PLUG	1							
34	4	22190-120002	WASHER, SEAL 12	1							
35	4	22190-180002	WASHER, SEAL 18	1							
36	4	23887-120002	PLUG, 12	1							
43	3	158600-51270	STOPPER, TAPPET	1							
44	3	158563-51281	O-RING, 4D S6	1							
45	3	158563-51281	O-RING, 4D S6	1							
45A	3	129509-51390	VALVE ASSY, DELIVERY	4							W
(A=*2008.02.)											
46	4	158563-51330	SPRING, DELIVERY	4							
56	3	158601-51550	PLUG, M22	1							
57	3	129906-51560	PLUG, M16	1							
57-1	3	129907-51560	PLUG, M16	1							S
(A=E/#07177)											
58	3	158552-51570	GASKET, PLUG	4							
59	3	158557-51570	PLUG, RACK	1							
60	3	158601-51570	PLUG	1							
61	3	129906-51580	GASKET, PLUG	1							
62	3	158552-51580	LIFTER, LINK	1							
63	3	119802-51590	TIMER ASSY	1							
64	4	119802-51600	TIMER ASSY	1							
67	4	158553-51670	O-RING	1							
68	4	119802-51680	RING, BACKUP	1							
69	4	119802-51690	O-RING	1							
70	4	24356-010200	O-RING, 4D1020	1							
71	4	24372-000150	RING, BACK UP T2P15	1							
72	3	158553-51551	JOINT, COOLING WATER	1							
73	3	158560-51600	GASKET	1							
74	3	158553-51630	SPRING, TIMER	1							
76	3	158553-51640	THERMOELEMENT	1							
77	3	158601-51650	JOINT, OVER FLOW	1							
78	3	158553-51660	O-RING, P14	1							
79	3	158553-51680	GASKET, TIMER	1							
87	3	158552-52100	PUMP ASSY, FUEL FEED	1							
88	4	158552-52500	O-RING	1							W
(A=FROM 1ST)											
89	3	158552-52310	O-RING	1							
92	3	22190-120002	WASHER, SEAL 12	2							
93	3	22190-120002	WASHER, SEAL 12	2							
94	3	26450-100452	BOLT, M10X 45	4							
95	3	22190-180002	WASHER, SEAL 18	2							
97	3	22312-050140	PIN, PARALLEL M5X14	2							
98	3	22351-050010	PIN, SPRING 5.0X10	2							
100	3	144626-51090	FEATHER KEY, 5X19	1							
101	3	23857-060000	BOLT, JOINT 6	1							

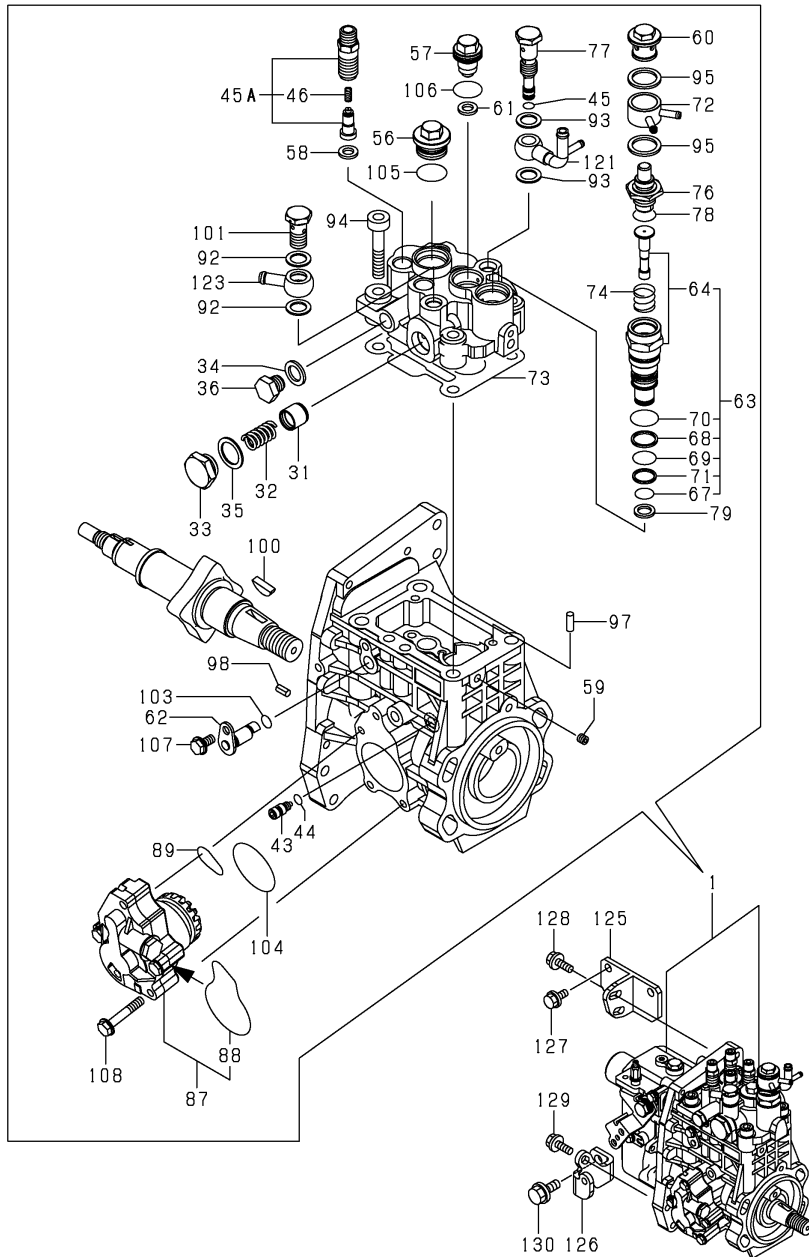
Remarks

(1)Governor(Fig.12) is incorporated in this Fuel Injection Pump(No.1).

Fig.11. FUEL INJECTION PUMP

(A)=4TNV98-XBV
(B)=
(C)=

(D)=
(E)=
(F)=

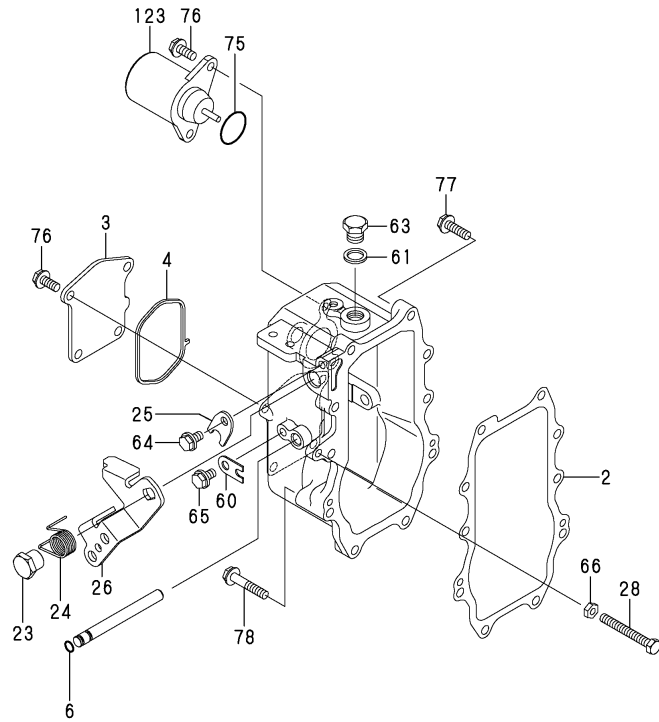


No.	Lev.	Parts No.	Description	Q'ty						I	R
				(A)	(B)	(C)	(D)	(E)	(F)		
103	3	24311-000070	O-RING, 1AP7.0	1							
104	3	158552-52400	O-RING, 4E S42	1							
105	3	24356-010200	O-RING, 4D1020	1							
106	3	24356-020210	O-RING, 4D2021	1							
107	3	26106-060102	BOLT, M6X 10 PLATED	1							
108	3	26106-060352	BOLT, M6X 35 PLATED	4							
121	2	158552-51670	JOINT, OVER FLOW	1							
123	2	129916-59020	JOINT, PIPE 12	1							
125	1	129907-01950	RETAINER, PUMP	1							
126	1	129907-01960	RETAINER, PUMP	1							
127	1	26106-080162	BOLT, M8X 16 PLATED	2							
128	1	26106-080222	BOLT, M8X 22 PLATED	2							
129	1	26106-080222	BOLT, M8X 22 PLATED	1							
130	1	26106-100202	BOLT, M10X 20 PLATED	1							

Remarks

(1)Governor(Fig.12) is incorporated in this Fuel Injection Pump(No.1).

Fig.12. GOVERNOR



(A)=4TNV98-XBV
(B)=
(C)=

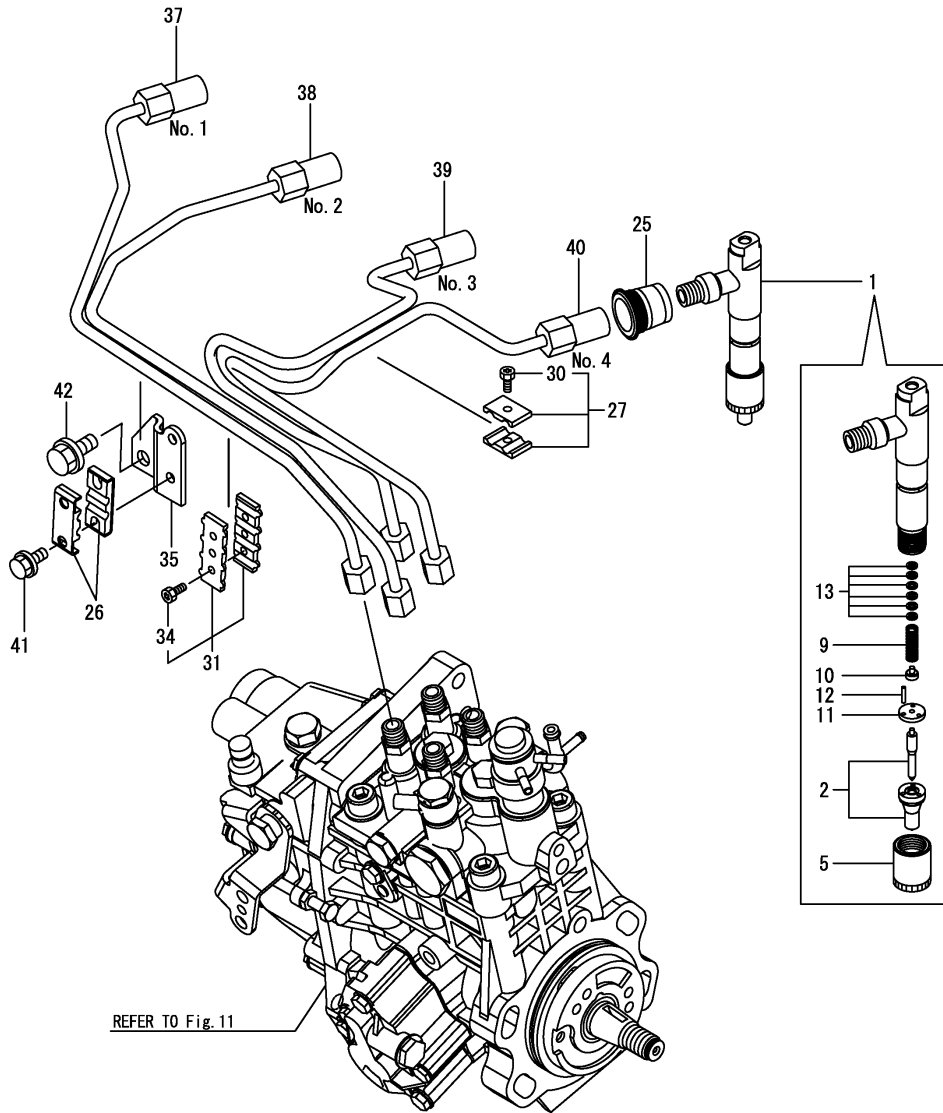
(D)=
(E)=
(F)=

No.	Lev.	Parts No.	Description	Q'ty						I	R
				(A)	(B)	(C)	(D)	(E)	(F)		
2	3	158560-61050	GASKET	1							
3	3	158560-61061	COVER, GOVERNOR CASE	1							
4	3	158560-61071	GASKET	1							
6	3	129155-51280	O-RING, S6	1							
23	3	129255-61410	NUT, M8	1							
24	3	119807-61420	SPRING, RETURN	1							
25	3	158560-61430	STOPPER, SHAFT	1							
26	3	158560-61441	LEVER, REGULATOR	1							
26-1	3	158560-61442	LEVER, REGULATOR	1							R
(A=E/#22775)											
28	3	129155-61460	BOLT, LIMITING	1							
60	3	119660-61901	STOPPER, SHAFT	1							
61	3	22190-120002	WASHER, SEAL 12	1							
61-1	3	22190-160002	WASHER, SEAL 16	1							N
(A=E/#07177)											
63	3	23887-120002	PLUG, 12	1							
63-1	3	23887-160002	PLUG, 16	1							N
(A=E/#07177)											
64	3	26106-060102	BOLT, M6X 10 PLATED	1							
65	3	26106-060102	BOLT, M6X 10 PLATED	1							
66	3	26756-060002	NUT, LOCK M6	1							
75	3	24341-000280	O-RING, 1AS28.0	1							
75-1	3	158552-61900	O-RING	1							N
(A=E/XXXXX)											
76	3	26106-060142	BOLT, M6X 14 PLATED	6							
77	3	26106-060252	BOLT, M6X 25 PLATED	8							
78	3	26106-060402	BOLT, M6X 40 PLATED	2							
123	2	119233-77932	SOLENOID, STOP	1							

Remarks

* This figure(Governor) is incorporated in the Fuel Injection Pump(Fig.11).

Fig.13. FUEL INJECTION VALVE

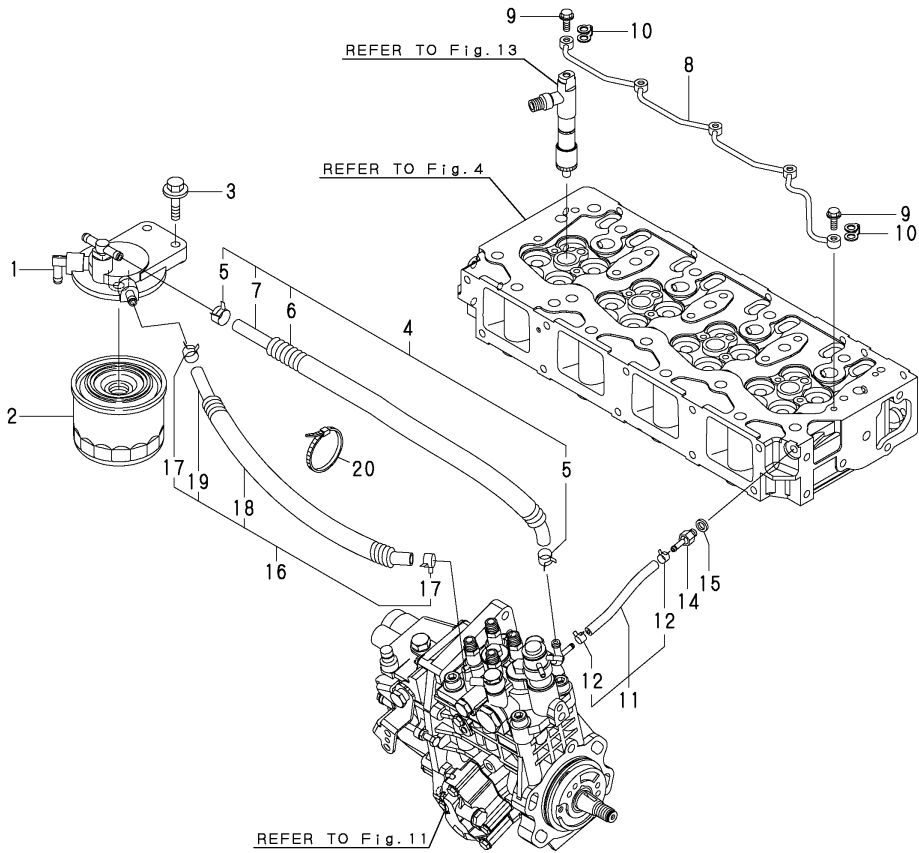


(A)=4TNV98-XBV
(B)=
(C)=

(D)=
(E)=
(F)=

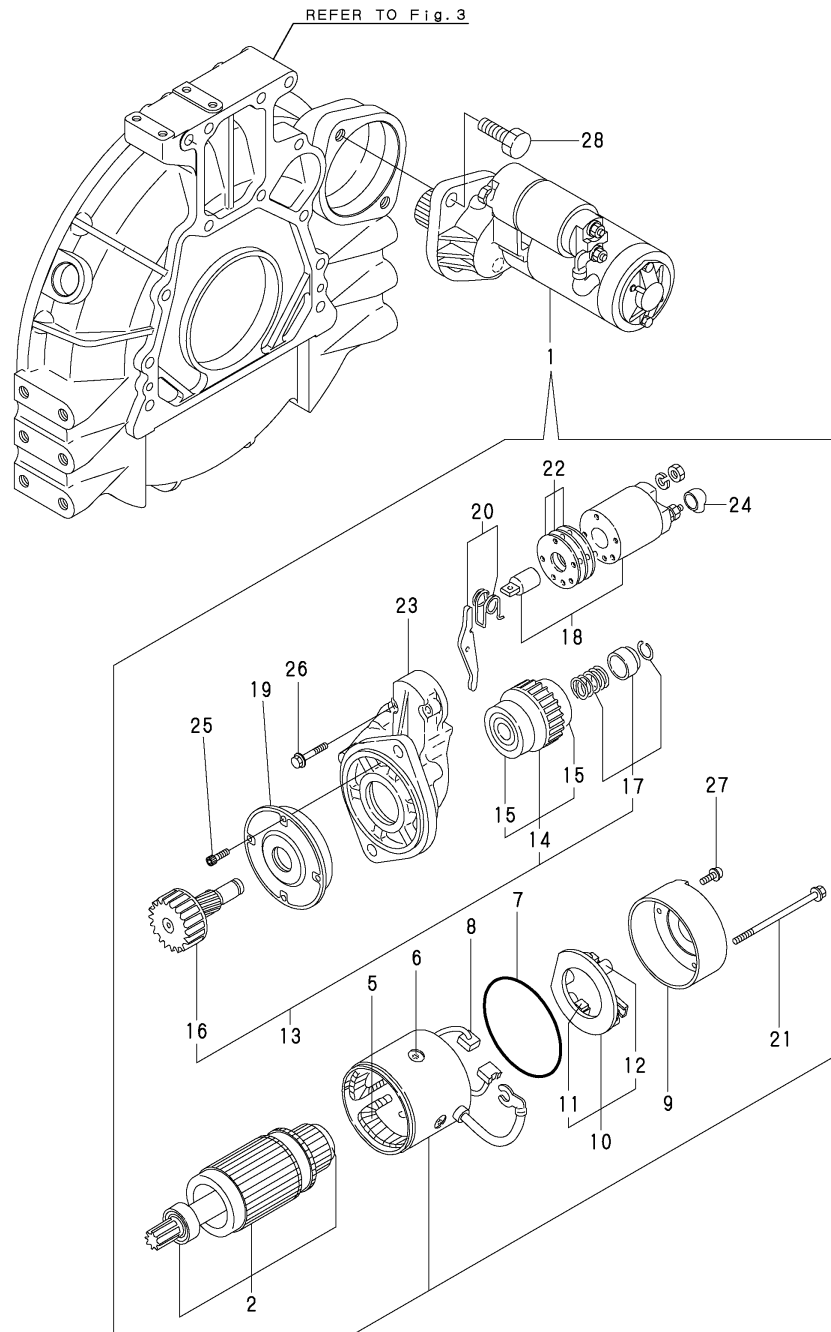
No.	Lev.	Parts No.	Description	Q'ty						I	R
				(A)	(B)	(C)	(D)	(E)	(F)		
1	1	729907-53100	FUEL INJECTOR ASSY	4							
2	2	129907-53000	NOZZLE ASSY, F.I.	4							
5	2	114250-53080	NUT, NOZZLE	4							
9	2	114250-53120	SPRING, NOZZLE	4							
10	2	114250-53130	SEAT, SPRING	4							
11	2	114250-53140	SPACER	4							
12	2	114250-53210	PIN	8							
13	2	114250-53400	SHIM SET	4							
25	1	123907-11601	SEAL, PIPE	4							
26	1	122780-59100	RETAINER	2							
27	1	119305-59120	RETAINER, PIPE	1							
30	2	129150-59131	BOLT, M4X14	1							
31	1	129550-59120	RETAINER, PIPE	1							
34	2	129150-59131	BOLT, M4X14	2							
35	1	129907-59710	SUPPORT	1							
37	1	129907-59810	PIPE ASSY, INJECTION	1							
38	1	129907-59820	PIPE ASSY, INJECTION	1							
39	1	129907-59830	PIPE ASSY, INJECTION	1							
40	1	129907-59840	PIPE ASSY, INJECTION	1							
41	1	26106-060162	BOLT, M6X 16 PLATED	2							
42	1	26106-080182	BOLT, M8X 18 PLATED	1							

Fig.14. FUEL PIPE



No.	Lev.	Parts No.	Description	Q'ty						I	R
				(A)	(B)	(C)	(D)	(E)	(F)		
1	1	129004-55610	BRACKET, FILTER	1							
1-1	1	129004-55611	BRACKET, FILTER	1							R
(A=E/#10336)											
1-2	1	129004-55612	BRACKET, FILTER	1							R
(A=E/#25192)											
2	1	119802-55810	FILTER,FO	1							
3	1	26106-080302	BOLT, M8X 30 PLATED	2							
4	1	129457-59010	HOSE ASSY, FUEL	1							
5	2	124766-59050	CLAMP, HOSE 11.5	2							
6	2	129957-59120	TUBE, CORRUGATED 15	1							
7	2	105025-59750	HOSE, FUEL	1							
8	1	129907-59140	PIPE ASSY, RETURN	1							
9	1	123907-59540	BOLT, PIPE JOINT M6	5							
10	1	123907-59550	GASKET	5							
11	1	129486-59551	HOSE ASSY, RETURN	1							
12	2	124722-59050	CLAMP, HOSE 9	2							
14	1	123907-59560	JOINT, HOSE	1							
15	1	22190-080002	WASHER, SEAL 6	1							
16	1	129981-59010	HOSE ASSY, FUEL	1							
17	2	124766-59050	CLAMP, HOSE 11.5	2							
18	2	129950-59221	TUBE, CORRUGATED 15	1							
19	2	129980-59510	HOSE, FUEL	1							
20	1	121750-59890	BAND, NYLON	1							

Fig.15. STARTER MOTOR



(A)=4TNV98-XBV
(B)=
(C)=

(D)=
(E)=
(F)=

No.	Lev.	Parts No.	Description	Q'ty						I	R
				(A)	(B)	(C)	(D)	(E)	(F)		
1	1	129940-77010	STARTER ASSY	1							
2	2	129940-77100	ARMATURE ASSY	1							
5	2	129940-77130	COIL ASSY, FIELD	1							
6	2	129940-77140	SCREW, CORE SET	4							
7	2	129940-77150	O-RING	1							
8	2	129940-77160	BRUSH	2							
9	2	129940-77170	COVER	1							
10	2	129940-77180	HOLDER ASSY, BRUSH	1							
11	3	129940-77160	BRUSH	2							
12	3	129940-77190	SPRING, BRUSH	1							
13	2	123900-77510	PINION ASSY	1							
14	3	123900-77520	CLUTCH ASSY	1							
15	4	X2240610100	BEARING, BALL	2							
16	3	123900-77540	SHAFT, PINION	1							
17	3	119131-77550	STOPPER SET, PINION	1							
18	2	129940-77210	SWITCH ASSY, MAGNET	1							
19	2	129940-77230	RETAINER, BEARING	1							
20	2	129940-77240	LEVER SET	1							
21	2	129940-77260	BOLT, THROUGH	2							
22	2	129940-77250	COVER KIT, DUST	1							
23	2	129940-77220	CASE, GEAR	1							
24	2	121254-77810	COVER, TERMINAL	1							
25	2	129940-77270	BOLT	4							
26	2	114371-79070	BOLT	2							
27	2	129940-77280	SCREW	2							
28	1	26116-120302	BOLT, M12X 30 PLATED	2							

Fig.16. GENERATOR

(A)=4TNV98-XBV

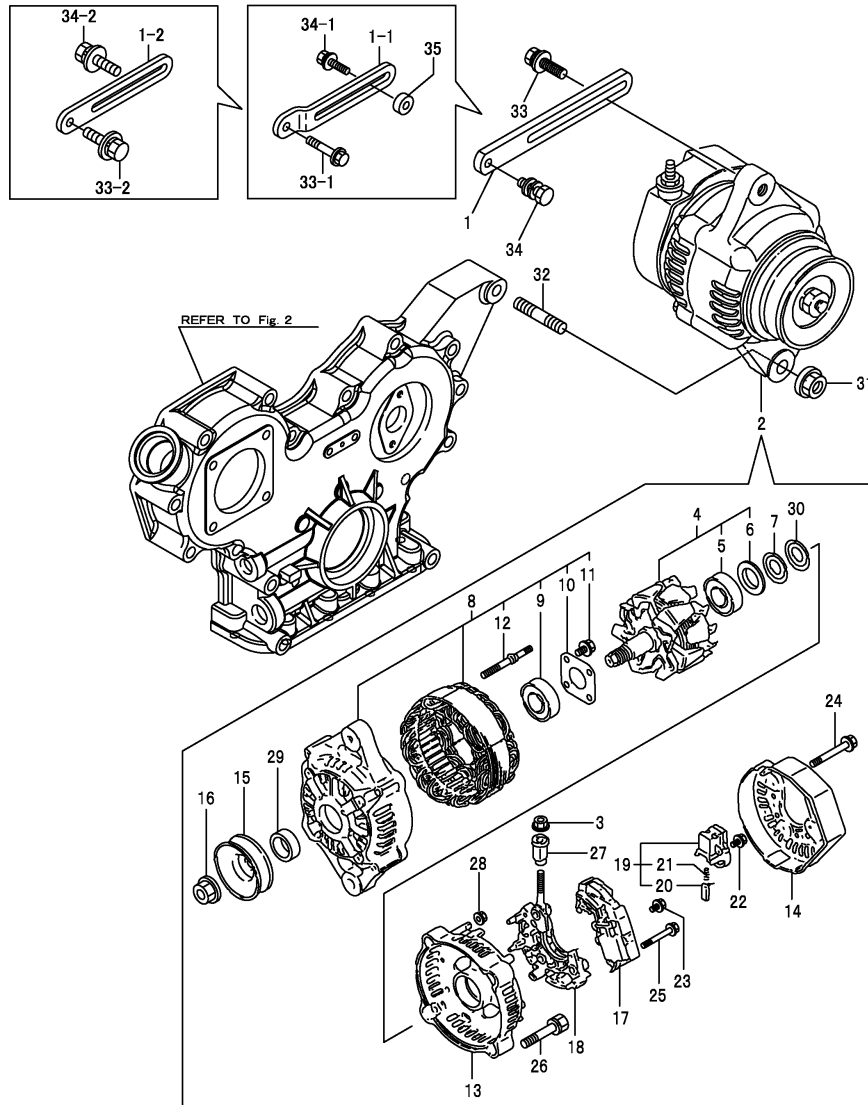
(B)=

(C)=

(D)=

(E)=

(F)=



No.	Lev.	Parts No.	Description	Q'ty						I	R
				(A)	(B)	(C)	(D)	(E)	(F)		
1	1	129900-77330	ADJUSTER, BELT	1							
1-1	1	129972-77330	ADJUSTER, BELT	1							N
(A=EXXXXX)											
1-2	1	129988-77330	ADJUSTER, BELT	1							S 1
(A=EXXXXX)											
2	1	129423-77200	GENERATOR ASSY, 40A	1							
3	2	X9490561001	NUT	1							
4	2	119620-77380	ROTOR ASSY	1							
5	3	119620-79240	BEARING, BALL	1							
5-1	3	123501-79240	BEARING, BALL	1							N
(A=E/#06068)											
6	3	119620-79250	COVER, BEARING	1							
7	2	119620-79360	WASHER, THRUST	1							
8	2	119620-77421	FRAME ASSY, GENERATOR	1							
9	3	119620-79200	BEARING, BALL	1							
10	3	119620-79210	RETAINER	1							
11	3	119620-79220	SCREW	4							
12	3	119620-79230	BOLT, STUD	2							
13	2	119620-77440	FRAME ASSY	1							
14	2	129240-79300	COVER	1							
15	2	119620-77461	PULLEY, GENERATOR	1							
16	2	119620-77471	NUT	1							
17	2	129423-77710	REGULATOR ASSY	1							
18	2	119620-79260	HOLDER	1							
19	2	119620-79270	HOLDER, BRUSH	1							
19-1	2	129052-79270	HOLDER, BRUSH	1							N
(A=E/#06068)											
20	3	119620-77480	BRUSH	2							
21	3	119620-79280	SPRING	2							
22	2	119620-79290	SCREW	1							
23	2	119620-79300	SCREW	1							
24	2	119620-79310	BOLT	3							
25	2	119620-79320	SCREW	2							
26	2	119620-79330	BOLT	2							
27	2	119620-79340	BUSH, INSULATION	1							
28	2	119620-79350	NUT	2							
29	2	119620-77490	COLLAR	1							
30	2	119620-79360	WASHER, THRUST	1							
31	1	26306-100002	NUT, M10	1							
32	1	129795-01900	BOLT, STUD M10X33	1							
33	1	26014-080252	BOLT, M8X 25	1							
33-1	1	26106-080222	BOLT, M8X 22 PLATED	1							N
(A=EXXXXX)											
33-2	1	26014-080252	BOLT, M8X 25	1							S 1
(A=EXXXXX)											
34	1	119810-77340	BOLT, ADJUST L=30	1							
34-1	1	129972-77341	BOLT, ADJUST L=50	1							N
(A=EXXXXX)											
34-2	1	119810-77340	BOLT, ADJUST L=30	1							S 1
(A=EXXXXX)											
35	1	119940-77270	SPACER	1							W

Remarks

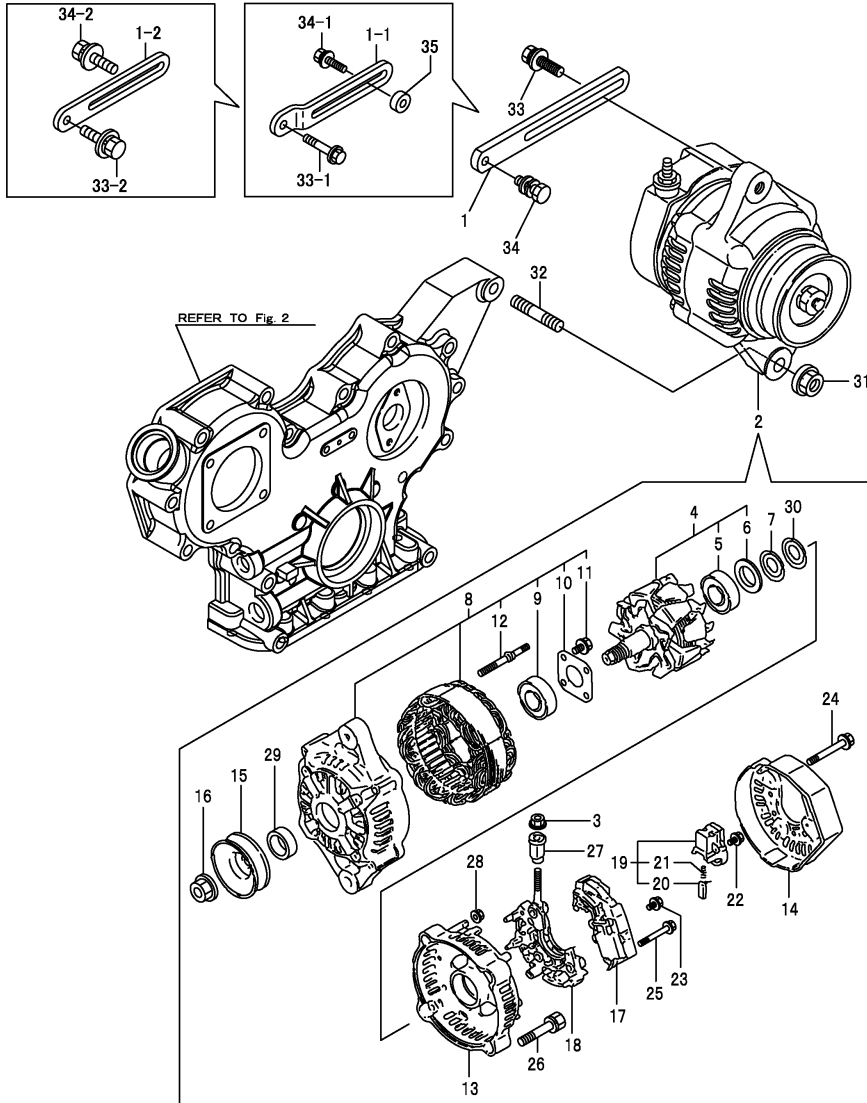
(1)Interchangeable by simultaneous replacement with No.1-2, 33-2 & 34-2.

Fig.16. GENERATOR

(A)=4TNV98-XBV
(B)=
(C)=

(D)=
(E)=
(F)=

No.	Lev.	Parts No.	Description	Q'ty						I	R
				(A)	(B)	(C)	(D)	(E)	(F)		
		(A=EXXXXX)									
35-1	1	119940-77270	SPACER	1							Z
		(A=EXXXXX)									



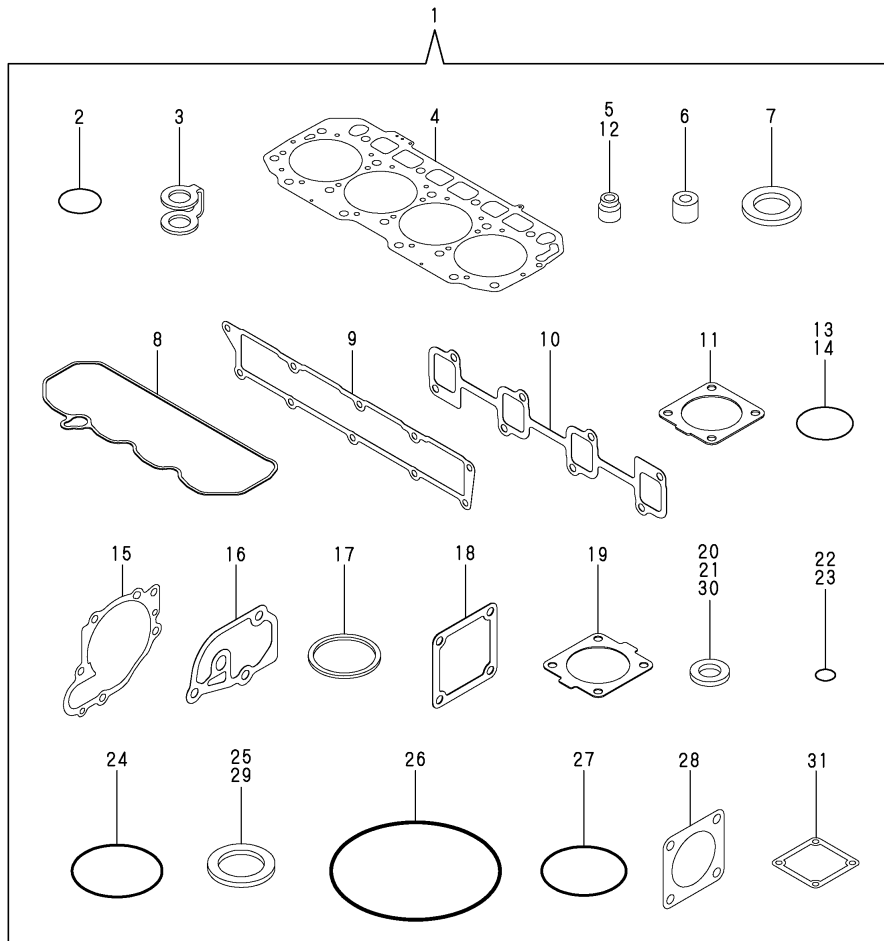
Remarks

(1)Interchangeable by simultaneous replacement with No.1-2, 33-2 & 34-2.

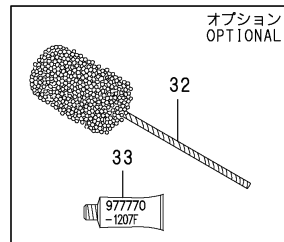
Fig.17. GASKET SET & TOOL

(A)=4TNV98-XBV
(B)=
(C)=

(D)=
(E)=
(F)=



No.	Lev.	Parts No.	Description	Qty						I	R
				(A)	(B)	(C)	(D)	(E)	(F)		
1	1	729907-92800	GASKET SET	1							1
2	2	24311-000150	O-RING, 1AP15.0	1							
3	2	123907-59550	GASKET	5							
4	2	129907-01331	GASKET, HEAD	1							
5	2	124160-11340	SEAL, VALVE STEM	8							
6	2	119802-11870	PROTECTOR, NOZZLE	4							
7	2	119625-11880	SEAT, NOZZLE	4							
8	2	129907-11310	GASKET, BONNET	1							
9	2	129907-12110	GASKET, MANIFOLD	1							
10	2	129900-13251	GASKET, EXH.MANIFOLD	1							
11	2	129400-13201	GASKET, SILENCER	1							
12	2	124950-11340	SEAL, VALVE STEM	8							
13	2	129900-32030	O-RING, P20	2							
14	2	129900-32040	O-RING, P14	1							
15	2	129900-42020	GASKET, WATER PUMP	1							
16	2	129900-49870	GASKET, THERMOSTAT	1							
17	2	121850-49550	GASKET, THERMOSTAT	1							
18	2	121850-77021	GASKET, AIR HEATER	1							
19	2	121850-49540	GASKET, THERMOSTAT	1							
20	2	23414-080000	GASKET, 8X1.0	3							
21	2	124465-44950	GASKET, 16	2							
22	2	24311-000070	O-RING, 1AP7.0	1							
23	2	24311-000120	O-RING, 1AP12.0	8							
24	2	24311-000320	O-RING, 1AP32.0	3							
25	2	22190-080002	WASHER, SEAL 6	7							
26	2	24341-000530	O-RING, 1AS53.0	1							
27	2	24351-030750	O-RING, 1A3075	1							
28	2	124240-01883	GASKET	1							
29	2	22190-220002	WASHER, SEAL 22	1							
30	2	129150-49360	GASKET	1							
31	2	119129-77020	GASKET	1							
32	1	129400-92450	HONE, FLEX	1							1
33	1	977770-1207F	GASKET.LIQUID	1							1



Remarks

(1)Optional parts.

Parts No. Index

Parts No.	Fig. No.	Ref. No.
105025-59750	14	7
114250-39450	9	12
114250-53080	13	5
114250-53120	13	9
114250-53130	13	10
114250-53140	13	11
114250-53210	13	12
114250-53400	13	13
114371-79070	15	26
119000-35140	9	3
119005-77050	5	9
119129-77020	5	8
	17	31
119130-44760	10	17
119131-18320	6	4
119131-77550	15	17
119233-77932	12	123
119305-59120	13	27
119593-11301	4	28
119620-01750	3	13
119620-11180	4	17
119620-77380	16	4
119620-77421	16	8
119620-77440	16	13
119620-77461	16	15
119620-77471	16	16
119620-77480	16	20
119620-77490	16	29
119620-79200	16	9
119620-79210	16	10
119620-79220	16	11
119620-79230	16	12
119620-79240	16	5
119620-79250	16	6
119620-79260	16	18
119620-79270	16	19
119620-79280	16	21
119620-79290	16	22
119620-79300	16	23
119620-79310	16	24
119620-79320	16	25
119620-79330	16	26
119620-79340	16	27
119620-79350	16	28
119620-79360	16	7
		30
119625-11880	4	26
	17	7
119640-01640	3	7
119640-61400	4	62

Parts No.	Fig. No.	Ref. No.
119660-61901	12	60
119802-11870	4	47
	17	6
119802-51590	11	63
119802-51600	11	64
119802-51680	11	68
119802-51690	11	69
119802-55810	14	2
119807-61420	12	24
119810-77340	16	34
		34 -2
119940-77270	16	35
		35 -1
120130-22301	8	22
121250-44901	10	38
121254-77810	15	24
121520-34810	9	2
121750-59890	14	20
121850-21130	8	12
121850-21290	8	5
121850-21680	8	10
121850-21920	8	6
121850-49540	10	21
	17	19
121850-49550	10	22
	17	17
121850-49810	10	24
121850-77021	5	5
	17	18
122780-59100	13	26
123501-79240	16	5 -1
123900-13610	6	6
123900-13630	6	3
123900-25060	7	10
123900-77510	15	13
123900-77520	15	14
123900-77540	15	16
123907-03100	4	55
123907-03110	4	56
123907-03120	4	57
123907-03140	4	58
123907-11280	4	33
123907-11550	4	4
123907-11601	13	25
123907-11820	4	11
123907-11830	4	23
123907-25909	7	17
123907-39500	9	15
123907-59540	14	9
123907-59550	14	10

Parts No.	Fig. No.	Ref. No.
123907-59550	17	3
123907-59560	14	14
124160-01751	2	35
	4	50
124160-11340	4	18
	17	5
124160-11360	4	65
124240-01871	2	40
124240-01883	2	41
	17	28
124411-01780	3	5
124465-44950	10	39
	17	21
124722-59050	10	43
		46
	14	12
124766-59050	14	5
		17
124950-11340	4	19
	17	12
129001-91810	2	24
		25
129004-55610	14	1
129004-55611	14	1 -1
129004-55612	14	1 -2
129005-59830	9	17
129052-79270	16	19 -1
129100-01580	2	5
	3	1
129150-02450	7	4
129150-11230	4	36
		40
129150-11750	4	22
		37
		41
129150-14200	7	1
129150-25920	7	14
129150-35170	9	4
129150-49360	10	32
	17	30
129150-59131	13	30
		34
129155-51280	12	6
129155-61460	12	28
129240-79300	16	14
129255-61410	12	23
129400-13201	6	5
	17	11
129400-92450	17	32
129423-77200	16	2

Parts No.	Fig. No.	Ref. No.
129423-77710	16	17
129457-59010	14	4
129486-59551	14	11
129509-51390	11	45 A
129550-59120	13	31
129795-01900	16	32
129900-01200	1	31
129900-01250	1	5
129900-01780	2	4
129900-01850	2	42
129900-01870	2	43
129900-02020	1	7
129900-02340	1	33
129900-02341	1	33 -1
129900-02410	1	10
129900-02930	1	28
129900-02931	1	28 -1
129900-02940	1	36
129900-02941	1	36 -1
129900-13200	6	1
129900-13251	6	2
	17	10
129900-14100	7	7
129900-21200	8	4
129900-21600	8	15
129900-23001	8	24
129900-23200	8	29
129900-23600	8	30
129900-23601	8	30 -1
129900-23610	8	32
129900-23911	8	28
129900-25100	7	11
129900-32001	2	11
129900-32030	2	22
	9	5
	17	13
129900-32040	2	23
	17	14
129900-42020	10	11
	17	15
129900-42461	10	15
129900-44700	10	16
129900-49870	10	33
	17	16
129900-77330	16	1
129902-21000	8	1
129906-51560	11	57
129906-51580	11	61
129907-01331	1	32
	17	4

Parts No. Index

Parts No.	Fig. No.	Ref. No.
129907-01500	2	8
129907-01950	11	125
129907-01960	11	126
129907-03010	4	52
129907-03011	4	52 -1
129907-03060	4	53
129907-03061	4	53 -1
129907-03070	4	54
129907-07900	4	2
129907-11100	4	25
129907-11110	4	15
129907-11120	4	16
129907-11250	4	30
129907-11260	4	31
129907-11270	4	32
129907-11310	4	61
	17	8
129907-11320	4	51
129907-11341	4	29
129907-11510	4	20
129907-11650	4	34
129907-11660	4	38
129907-11700	4	5
129907-11800	4	10
129907-11910	4	68
129907-11920	4	42
129907-11950	4	48
129907-12100	5	1
129907-12110	5	2
	17	9
129907-14400	7	2
129907-14581	7	3
129907-22050	8	18
129907-22090	8	16
129907-25900	7	17 -1
129907-39061	9	13
129907-42000	10	1
129907-49610	10	40
129907-49620	10	44
129907-49710	10	41
129907-49720	10	45
129907-49730	10	23
129907-49750	10	42
129907-49800	10	19
129907-51560	11	57 -1
129907-53000	13	2
129907-59140	14	8
129907-59710	13	35
129907-59810	13	37
129907-59820	13	38

Parts No.	Fig. No.	Ref. No.
129907-59830	13	39
129907-59840	13	40
129908-13650	6	9
129908-14581	7	3 -1
129910-07900	4	1
129915-77050	5	6
129916-01710	3	6
129916-01800	2	4 -1
129916-49530	10	20
129916-59020	11	123
129930-13201	6	5 -1
129938-13682	6	9 -1
129940-77010	15	1
129940-77100	15	2
129940-77130	15	5
129940-77140	15	6
129940-77150	15	7
129940-77160	15	8
		11
129940-77170	15	9
129940-77180	15	10
129940-77190	15	12
129940-77210	15	18
129940-77220	15	23
129940-77230	15	19
129940-77240	15	20
129940-77250	15	22
129940-77260	15	21
129940-77270	15	25
129940-77280	15	27
129950-59221	14	18
129951-01740	2	6
129953-01620	3	11
129953-13580	6	8
129953-13581	6	8 -1
129953-21581	8	13
129953-21610	8	9
129953-21611	8	9 -1
129953-25300	7	16
129953-34830	9	1
129953-35000	9	6
129957-59120	14	6
129960-21640	8	8
129972-77330	16	1 -1
129972-77341	16	34 -1
129980-59510	14	19
129981-59010	14	16
129988-77330	16	1 -2
144626-51090	11	100
158552-51570	11	58

Parts No.	Fig. No.	Ref. No.
158552-51580	11	62
158552-51670	11	121
158552-51780	11	32
158552-51781	11	32 -1
158552-52100	11	87
158552-52310	11	89
158552-52400	11	104
158552-52500	11	88
158552-61900	12	75 -1
158553-51551	11	72
158553-51630	11	74
158553-51640	11	76
158553-51660	11	78
158553-51670	11	67
158553-51680	11	79
158557-51570	11	59
158560-51600	11	73
158560-61050	12	2
158560-61061	12	3
158560-61071	12	4
158560-61430	12	25
158560-61441	12	26
158560-61442	12	26 -1
158563-51150	7	18
158563-51281	11	44
		45
158563-51330	11	46
158600-51270	11	43
158601-51550	11	56
158601-51570	11	60
158601-51650	11	77
158601-51770	11	31
158601-51790	11	33
171031-11741	2	37
171051-01921	1	6
171056-49120	10	31
171056-49351	10	37
22190-080002	9	18
		20
		22
	14	15
	17	25
22190-120002	11	34
		92
		93
	12	61
22190-160002	12	61 -1
22190-180002	11	35
		95
22190-220002	3	10

Parts No.	Fig. No.	Ref. No.
22190-220002	17	29
22217-180000	7	19
22252-000300	8	23
22312-050140	11	97
22351-050010	11	98
22351-060012	1	11
22512-070140	7	8
	8	7
22857-500100	4	63
		64
23414-080000	10	34
	17	20
23857-030000	9	19
23857-060000	11	101
23875-030000	10	29
23876-020000	4	12
23876-030000	1	12
		13
		14
	4	13
23887-120002	11	36
	12	63
23887-160002	12	63 -1
24311-000070	2	26
	11	103
	17	22
24311-000120	4	27
		66
	17	23
24311-000150	17	2
24311-000320	2	38
		39
	4	67
	17	24
24341-000280	12	75
24341-000530	8	11
	17	26
24351-030750	2	27
	17	27
24356-010200	11	70
		105
24356-020210	11	106
24372-000150	11	71
25132-004200	10	14
25152-004200	10	14 -1
26014-080202	6	10 -1
26014-080222	6	11 -1
26014-080252	16	33
		33 -2
26106-060102	11	107

Parts No. Index

Parts No.	Fig. No.	Ref. No.
26106-060102	12	64 65
26106-060122	10	30
26106-060142	12	76
26106-060162	13	41
26106-060202	10	28
26106-060252	12	77
26106-060302	10	12
26106-060352	11	108
26106-060402	12	78
26106-080122	3	2
	9	11
		21
		23
	10	35
26106-080162	2	28
		29
		36
		44
	4	3
	6	10
	7	9
	9	11 A
	11	127
26106-080182	13	42
26106-080202	2	30
	6	11
26106-080222	11	128
		129
	16	33 -1
26106-080302	10	18
	14	3
26106-080402	2	31
		32
	4	44
26106-080452	2	33
26106-080552	5	3
		7
	7	15
	10	13
26106-080602	4	45
		46
	10	36
26106-080852	5	4
26106-100202	11	130
26116-120302	15	28
26206-100352	3	4
26206-100702	3	3
26216-100302	2	10
26226-080222	4	43

Parts No.	Fig. No.	Ref. No.
26306-080002	4	49
	6	7
		12
26306-100002	2	34
	16	31
26450-100452	11	94
26756-060002	12	66
26776-180002	7	20
27241-300000	1	15
27241-400000	4	14
27310-070001	4	24
729900-02800	1	25
729900-02801	1	25 -1
729907-01550	2	1
729907-01560	1	1
729907-22910	8	34
729907-22950	8	36
729907-53100	13	1
729907-92800	17	1
729940-51330	11	1
977770-1207F	17	33
X2240610100	15	15
X9490561001	16	3

Parts No.	Fig. No.	Ref. No.
-----------	----------	----------

Parts No.	Fig. No.	Ref. No.
-----------	----------	----------