

0CB10-M69901EN

Directions for the Parts Catalog.

1. This Parts Catalog shows both standard and optional parts.
2. Parts may change without prior notice.
3. The following is an example of the Parts Catalog format.

REF.	LEV.	PARTS NO.	DESCRIPTION	Q'TY						I	R
				(A)	(B)	(C)	(D)	(E)	(F)		
1	1	729595-51390	FUEL INJECTION PUMP	1	1	1	1	1			1
1-1	1	729595-51391	FUEL INJECTION PUMP	1	1	1	1	1		N	1
		(A=E00185) (B=E00200)									
3	2	26022-060162	SCREW M 6X 16	9	9	9	9	9			
3-1	2	26022-060162	SCREW M 6X 16	4	4	4	4	4		K	
		(A=E00156) (B=E00156) (C=E00156) (D=E00156) (E=E00156)									
4	2	129470-51040	CAMSHAFT	1	1	1	1	1			
5	2	122710-51050	BEARING, ROLLER	2	2	2	2	2			
6	2	129470-51060	RETAINER	1	1	1	1	1			

Remarks
(1) BOOST COMPEMSATOR TYPE. OPTIONAL PART, TO E00155,(4JH-DT, 4JH-DTZ

① Ref. No.

The Ref. No. listed may not be in accordance with the illustration Ref. No.

(Ex.) Illustration No.

List Ref No.

1

1

(Before change)

1-1

(After change)

For interchangeable symbols N, R and K, illustrations for new parts may be abbreviated.

② Lev. (Level)

Level indication

The numbers below indicate the level of relativity towards the main part.

1 ----- Main parts (Assembly parts)

2 ----- Sub component included in " 1 ".

3 ----- Sub component included in " 2 ".

Note) Parts that are not for sale are partially illustrated but not listed.

③ Interchangeability Symbol

When a part change takes place, one of the following interchangeability symbols is indicated beside the part.

Symbol	Interchangeability	Contents note
N	Old $\begin{matrix} \leftarrow \text{Yes} \\ \text{No} \rightarrow \end{matrix}$ New	New Part is interchangeable for Old Part but Old Part is not interchangeable for New Part.
Q	Old $\begin{matrix} \leftarrow \text{No} \\ \text{Yes} \rightarrow \end{matrix}$ New	New Part is not interchangeable for Old Part but Old Part is interchangeable for New Part.
R	Old $\begin{matrix} \leftarrow \text{Yes} \\ \text{Yes} \rightarrow \end{matrix}$ New	New/ Old Parts are both interchangeable.
S	Old $\begin{matrix} \leftarrow \text{No} \\ \text{No} \rightarrow \end{matrix}$ New	New/ Old Parts are both not interchangeable.
W		Part newly added.
Z		Part discontinued.
F		Not interchangeable by a single part but interchangeable together with related parts.
K		Changes only for used parts quantities.

④ Effective Machine No.

When a part changes, the effective Machine No. will be indicated in the (A)-(F) column.

Product Symbol	Product No.	Product Symbol	Product No.
C	Clutch No. Compressor No.	F	Machine No. (Agricultural Equip.)
D	Drive No.	M	Machine No.
E	Engine No.		

Note 1) A date may follow the symbol. (Ex.) 1996.01

Note 2) "XXXXX" and "ZZZZZ" are for parts that could not be predicted or for engine models that could not be identified.

Note 3) (A=E00185) is the E (Engine Serial Number) for the column (A) model (in this case 4JH-DT) after the parts design change.

⑤ Remarks

Figures or alphabets (symbols) are entered in the remarks column.

The comments (remarks) on parts that are indicated at the bottom of the illustration are the same symbols as those stated above.

Contents

OCB10-M69901

Fig. No. Fig. Name

Fig. No. Fig. Name

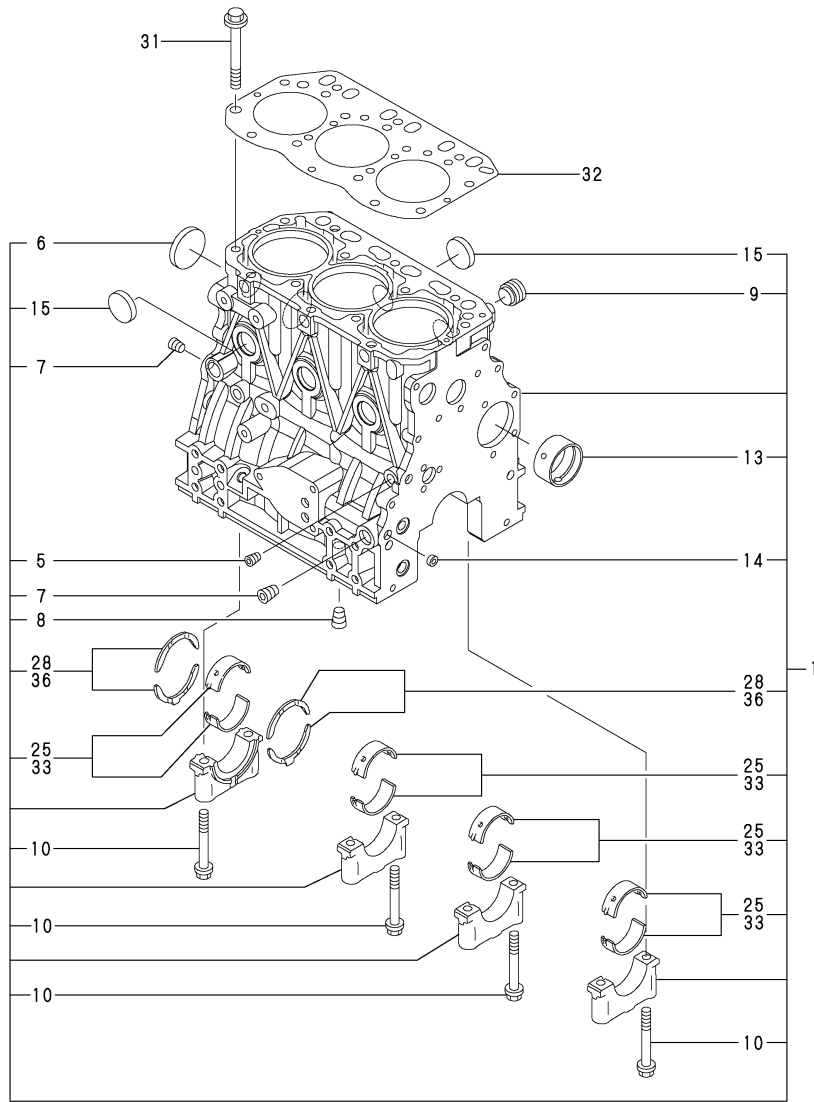
3TNV84T-XKAH

1. CYLINDER BLOCK
2. GEAR HOUSING
3. MOUNTING FLANGE & OIL SUMP
4. CYLINDER HEAD & BONNET
5. SUCTION MANIFOLD
6. EXHAUST MANIFOLD
7. CAMSHAFT & DRIVING GEAR
8. TURBINE
9. CRANKSHAFT & PISTON
10. LUB.OIL SYSTEM
11. LUB.OIL LINE
12. COOLING WATER SYSTEM
13. FUEL INJECTION PUMP
14. GOVERNOR
15. FUEL INJECTION VALVE
16. FUEL PIPE
17. STARTING MOTOR
18. GENERATOR
19. GASKET SET & TOOLS

Fig.1. CYLINDER BLOCK

(A)=3TNV84T-XKAH
(B)=
(C)=

(D)=
(E)=
(F)=

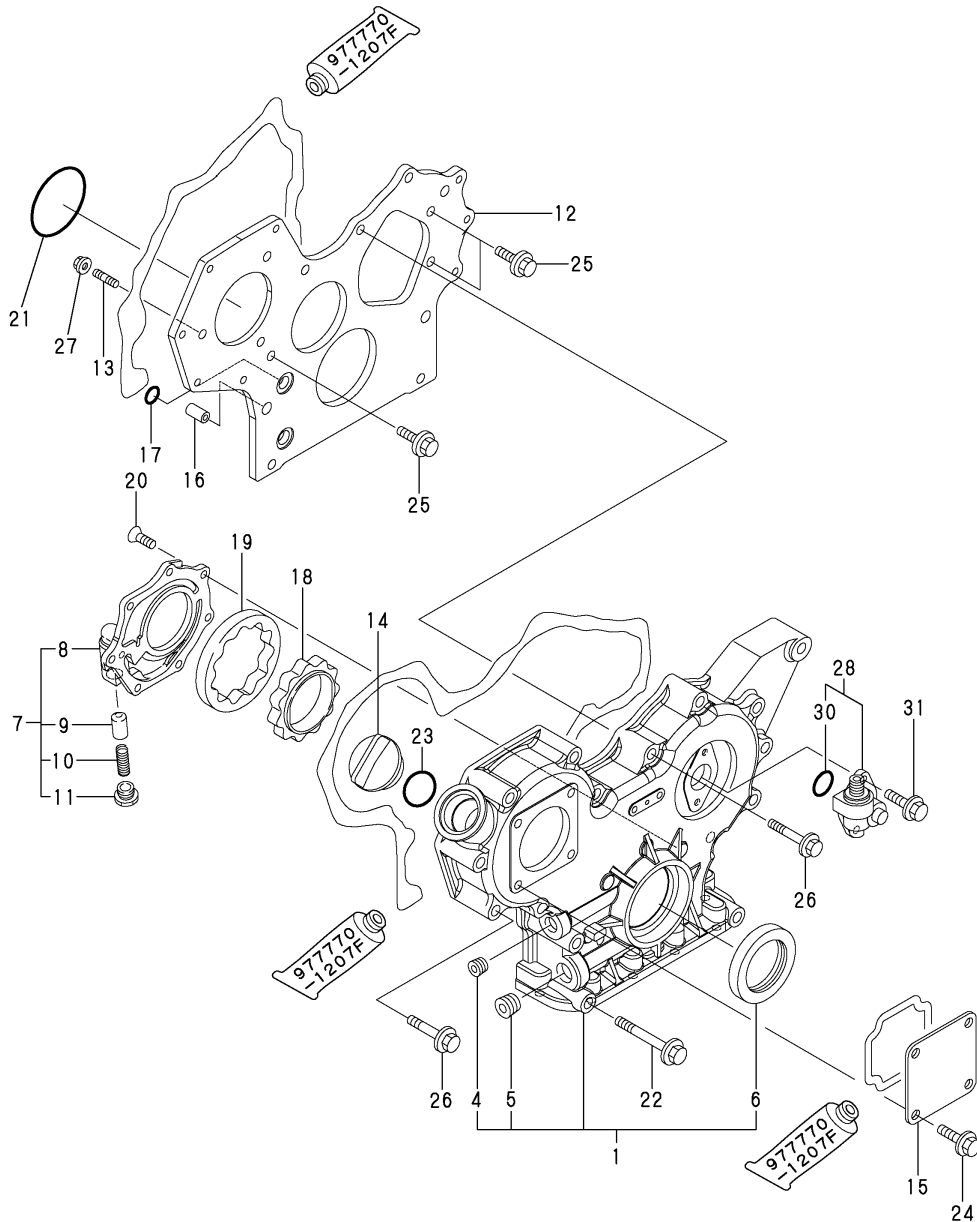


No.	Lev.	Parts No.	Description	Q'ty						I	R
				(A)	(B)	(C)	(D)	(E)	(F)		
1	1	729006-01560	BLOCK ASSY, CYLINDER	1							
5	3	124060-01050	PLUG, PT1/8	1							
6	3	129001-01250	PLUG, 50	1							
7	3	124160-01910	PLUG, PT1/4	2							
8	3	124160-01910	PLUG, PT1/4	1							
9	3	171051-01921	PLUG, NPTF1	1							
10	3	129150-02020	BOLT, METAL CAP	8							
13	3	129795-02411	BUSH, CAMSHAFT	1							
14	3	27241-120000	PLUG, 12	2							
15	3	27241-300000	PLUG 30	6							
25	2	129001-02930	BEARING, MAIN	4							3
28	2	129150-02930	BEARING, THRUST	2							
31	1	129150-01200	BOLT, HEAD	14							
32	1	129002-01331	GASKET, HEAD	1							
33	1	129150-02870	BEARING, 0.25 US	4							1
36	1	129150-02940	BEARING, THRUST 0.25	1							2

Remarks

- (1) UNDER SIZED (U.S.=0.25) PART.
- (2) OVER SIZED (O.S.=0.25) PART.
- (3) REPAIR PART.

Fig.2. GEAR HOUSING



(A)=3TNV84T-XKAH

(B)=

(C)=

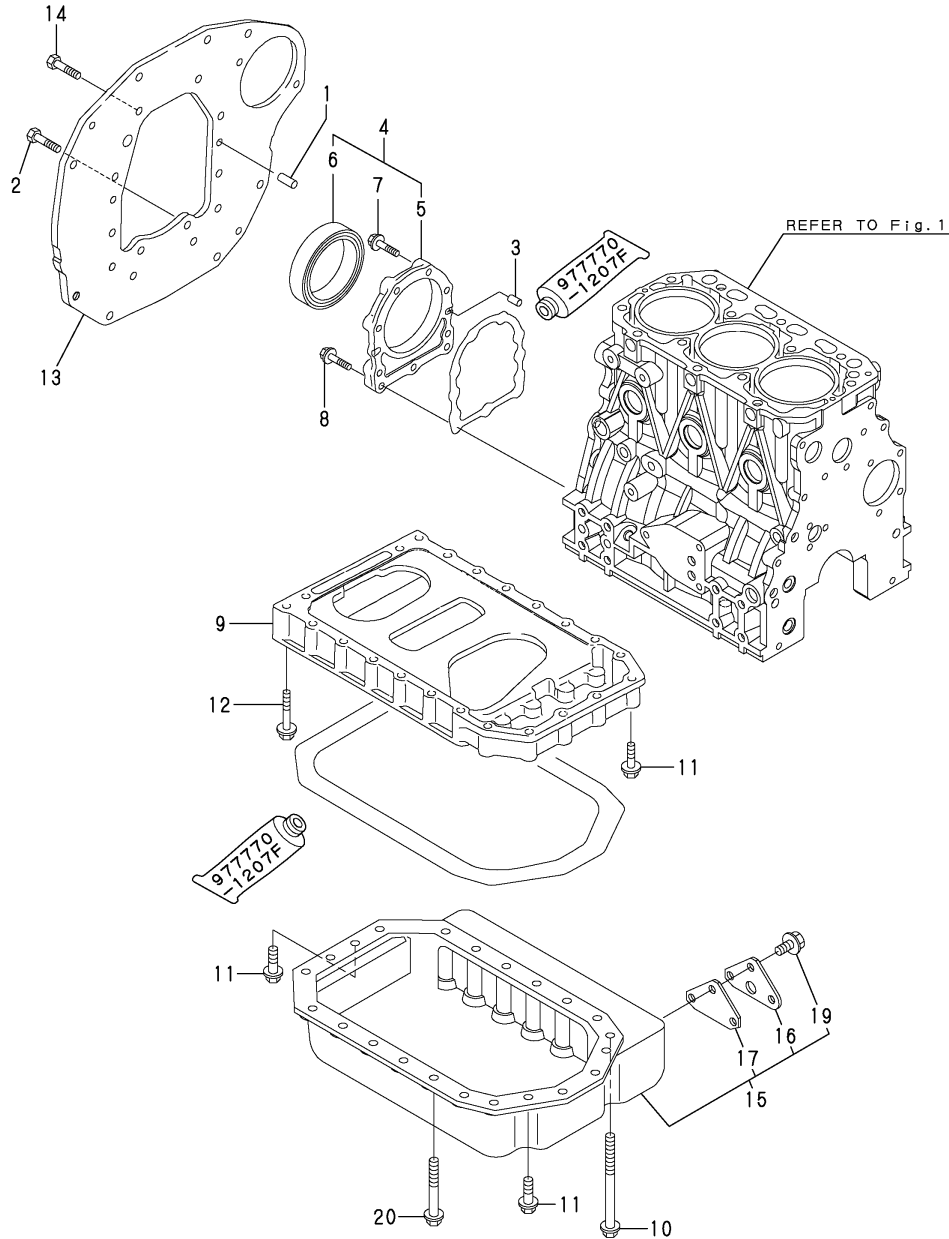
(D)=

(E)=

(F)=

No.	Lev.	Parts No.	Description	Q'ty						I	R
				(A)	(B)	(C)	(D)	(E)	(F)		
1	1	719802-01500	CASE ASSY, GEAR	1							
4	2	23876-030000	PLUG, R03	1							
5	2	23876-040000	PLUG, R04	1							
6	2	129795-01800	SEAL, OIL	1							
7	1	119802-32100	COVER ASSY	1							
8	2	119802-32070	COVER	1							
9	2	129900-32130	VALVE, RELIEF	1							
10	2	129418-32320	SPRING	1							
11	2	129001-32330	PLUG	1							
12	1	129006-01520	FLANGE, GEAR CASE	1							
13	1	119802-01560	STUD, M8X25	3							
14	1	124160-01751	COVER, FILLER	1							
15	1	124240-01871	COVER	1							
16	1	129795-01950	PIPE, KNOCK L=18	2							
17	1	119609-32040	O-RING, P16	4							
18	1	119802-32111	ROTOR, INNER	1							
19	1	119802-32120	ROTOR, OUTER	1							
20	1	119802-32130	SCREW, M6X16	7							
21	1	121850-51960	O-RING	1							
22	1	129001-91841	BOLT, M8X85	3							
23	1	24311-000320	O-RING, 1AP32.0	1							
24	1	26106-080162	BOLT, M8X 16 PLATED	4							
25	1	26106-080162	BOLT, M8X 16 PLATED	3							
26	1	26106-080552	BOLT, M8X 55 PLATED	12							
27	1	26306-080002	NUT, M8	3							
28	1	129150-91400	GEAR	1							
30	2	24341-000240	O-RING, 1AS24.0	1							
31	1	26106-060162	BOLT, M6X 16 PLATED	2							

Fig.3. MOUNTING FLANGE & OIL SUMP

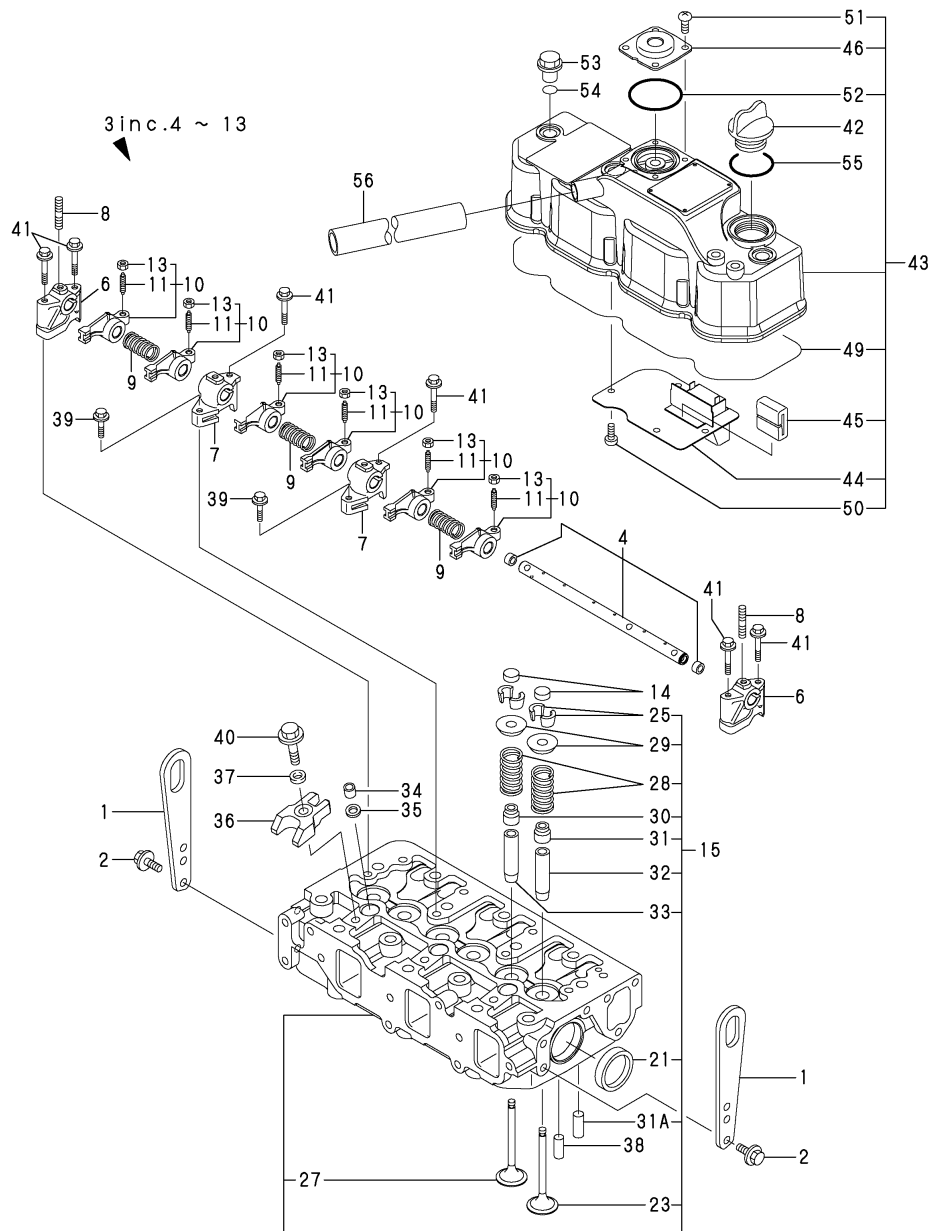


(A)=3TNV84T-XKAH
(B)=
(C)=

(D)=
(E)=
(F)=

No.	Lev.	Parts No.	Description	Q'ty						I	R
				(A)	(B)	(C)	(D)	(E)	(F)		
1	1	129100-01580	PIN, M8X16	2							
2	1	26206-100252	BOLT, M10X 25 PLATED	4							
3	1	129100-01580	PIN, M8X16	2							
4	1	129100-01640	CASE ASSY, OIL SEAL	1							
5	2	129150-01650	CASE, OIL SEAL	1							
6	2	129795-01780	SEAL, OIL	1							
7	1	129486-01670	BOLT, M8X30	6							
8	1	26106-080352	BOLT, M8X 35 PLATED	3							
9	1	129100-01730	SPACER, OIL SUMP	1							
10	1	129001-91870	BOLT, M8X100	7							
11	1	26106-080252	BOLT, M8X 25 PLATED	6							
12	1	26106-080452	BOLT, M8X 45 PLATED	2							
13	1	129150-01600	FLANGE, MOUNTING	1							
14	1	26206-100202	BOLT, M10X 20 PLATED	6							
15	1	129135-01770	SUMP ASSY, OIL	1							
16	2	171058-01630	COVER	1							
17	2	171058-01640	GASKET	1							
17-1	2	171058-01641	GASKET	1							N
(A=E/#11146)											
19	2	26106-080162	BOLT, M8X 16 PLATED	3							
20	1	26106-080602	BOLT, M8X 60 PLATED	11							

Fig.4. CYLINDER HEAD & BONNET



(A)=3TNV84T-XKAH
(B)=
(C)=

(D)=
(E)=
(F)=

No.	Lev.	Parts No.	Description	Q'ty						I	R
				(A)	(B)	(C)	(D)	(E)	(F)		
1	1	129900-07900	LIFTER	2							
2	1	26106-080142	BOLT, M8X 14 PLATED	4							
2-1	1	26106-080162	BOLT, M8X 16 PLATED	4							N
(A=E/#14588)											
3	1	129004-11241	SHAFT ASSY, ROCKER	1							
4	2	129004-11251	SHAFT, ROCKER ARM	1							
6	2	119802-11260	SUPPORT, ROCKER ARM	2							
7	2	119802-11270	SUPPORT, ROCKER ARM	2							
8	2	119802-11280	STUD	3							
9	2	129150-11280	SPRING	3							
10	2	129004-11650	ARM, ROCKER	6							
11	3	129150-11230	SCREW, VALVE ADJUST	6							
13	3	129150-11750	NUT, M8	6							
14	1	129150-11370	CAP, VALVE	6							
15	1	129006-11700	HEAD ASSY, CYLINDER	1							
21	2	27241-400000	PLUG, 40	2							
23	2	129004-11100	VALVE, INTAKE	3							
23-1	2	129004-11101	VALVE, INTAKE	3							R
(A=E/#17663)											
25	2	27310-080001	COTTER, 8	6							
27	2	129100-11130	VALVE, EXHAUST	3							
28	2	129795-11120	SPRING, VALVE	6							
29	2	129795-11180	RETAINER, SPRING	6							
30	2	121400-11340	SEAL, VALVE STEM	3							
31	2	124460-11340	SEAL, VALVE STEM	3							
31A	2	129150-11050	PIECE	3							
32	2	120130-11860	GUIDE, VALVE	3							1
33	2	129150-11810	GUIDE, VALVE	3							1
34	1	119802-11870	PROTECTOR, NOZZLE	3							
35	1	119625-11880	SEAT, NOZZLE	3							
36	1	129004-11900	RETAINER, NOZZLE	3							
37	1	120270-54410	WASHER, INJECTOR	3							
38	1	22351-060012	PIN, SPRING 6.0X12	2							
39	1	26106-080252	BOLT, M8X 25 PLATED	2							
40	1	26106-080352	BOLT, M8X 35 PLATED	3							
41	1	26106-080502	BOLT, M8X 50 PLATED	6							
42	1	124160-01751	COVER, FILLER	1							
43	1	129006-11350	BONNET ASSY, HEAD	1							
44	2	129004-03010	PLATE	1							
45	2	129150-03070	BAFFLE, BREATHER	1							
46	2	129006-03120	COVER, DIAPHRAGM	1							
49	2	129004-11310	GASKET, BONNET	1							
50	2	22857-500100	SCREW, 5X10	4							
51	2	22857-500100	SCREW, 5X10	4							
52	2	24341-000400	O-RING, 1AS40.0	1							
53	1	124160-11360	KNOB	3							
54	1	24311-000120	O-RING, 1AP12.0	3							
55	1	24311-000320	O-RING, 1AP32.0	1							
56	1	129150-03090	HOSE, ID16X2T	1							

Remarks

(1)REPAIR PART.

N:Old $\xrightarrow{\text{Yes}}$ New, Q:Old $\xrightarrow{\text{No}}$ New, R:Old $\xrightarrow{\text{Yes}}$ New, S:Old $\xrightarrow{\text{No}}$ New, W:Add, Z:Discontinued, F:Interchangeable by set, K:Q'ty Change

Fig.5. SUCTION MANIFOLD

(A)=3TNV84T-XKAH
(B)=
(C)=

(D)=
(E)=
(F)=

No.	Lev.	Parts No.	Description	Q'ty						I	R
				(A)	(B)	(C)	(D)	(E)	(F)		
1	1	129044-12050	PIPE, AIR INTAKE	1							
2	1	129006-12100	MANIFOLD, AIR INTAKE	1							
4	1	129001-12110	GASKET, MANIFOLD	1							
5	1	23000-041000	CLAMP, 41	1							
6	1	23000-060000	CLAMP, 60	1							
7	1	26106-080202	BOLT, M8X 20 PLATED	4							
8	1	26106-080802	BOLT, M8X 80 PLATED	1							
9	1	129100-77500	HEATER, AIR 12V	1							
10	1	129100-77510	GASKET	1							
11	1	129150-77511	GASKET	1							
12	1	129165-77520	BEND, AIR HEATER	1							
13	1	26106-080402	BOLT, M8X 40 PLATED	4							

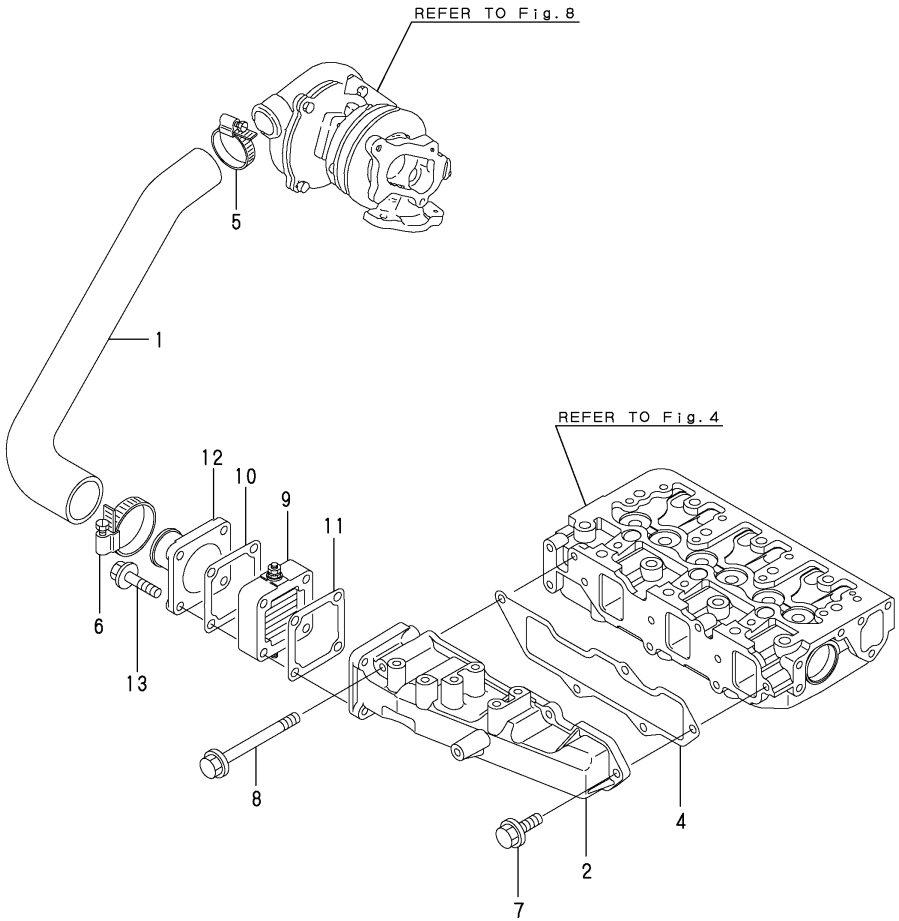


Fig.6. EXHAUST MANIFOLD

(A)=3TNV84T-XKAH
 (B)=
 (C)=

(D)=
 (E)=
 (F)=

No.	Lev.	Parts No.	Description	Q'ty						I	R
				(A)	(B)	(C)	(D)	(E)	(F)		
1	1	129139-13100	MANIFOLD, EXHAUST	1							
2	1	129150-13110	GASKET	1							
3	1	123900-13630	BOLT, M8X80	6							
4	1	119131-18320	STUD, M8X22	3							

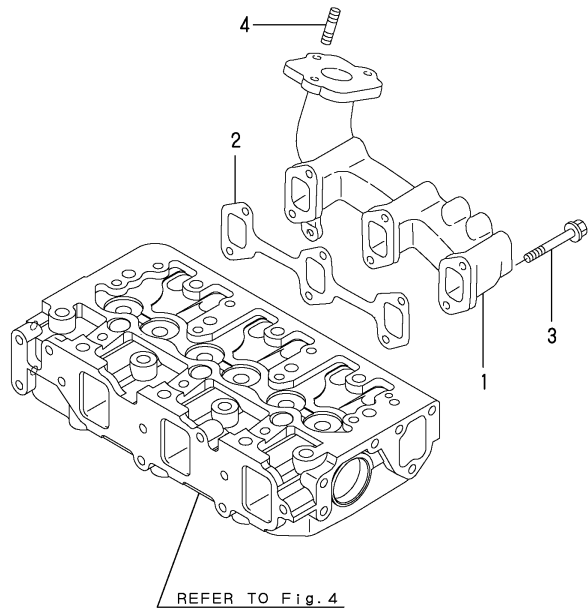
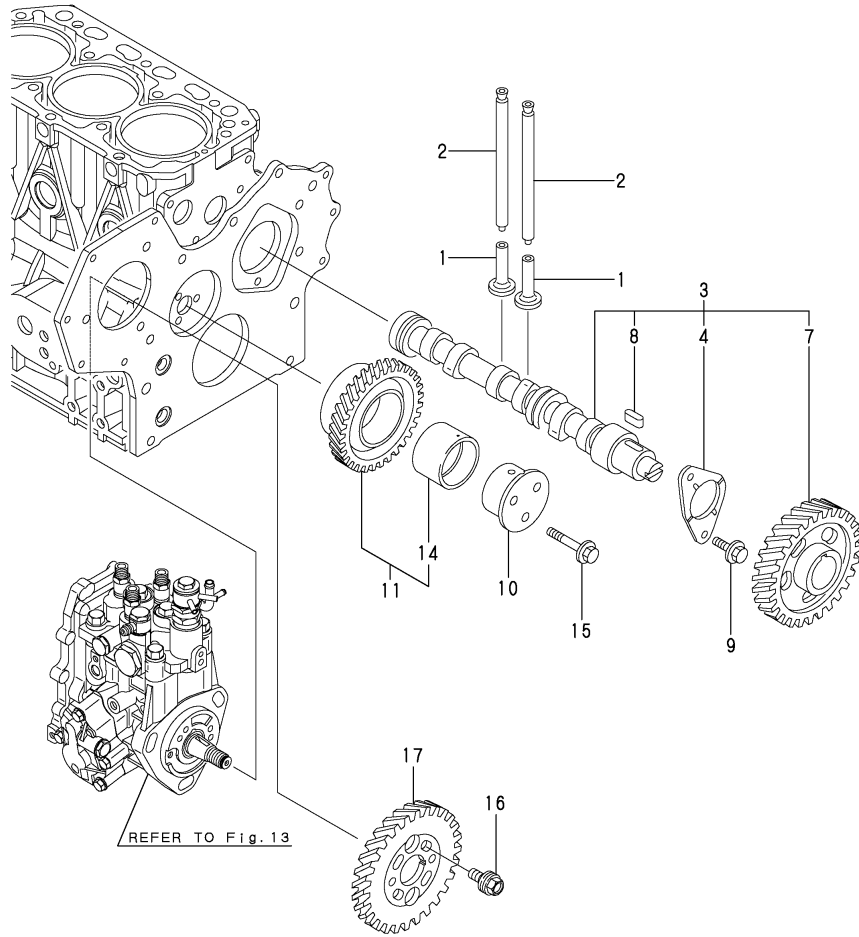


Fig.7. CAMSHAFT & DRIVING GEAR

(A)=3TNV84T-XKAH
(B)=
(C)=

(D)=
(E)=
(F)=



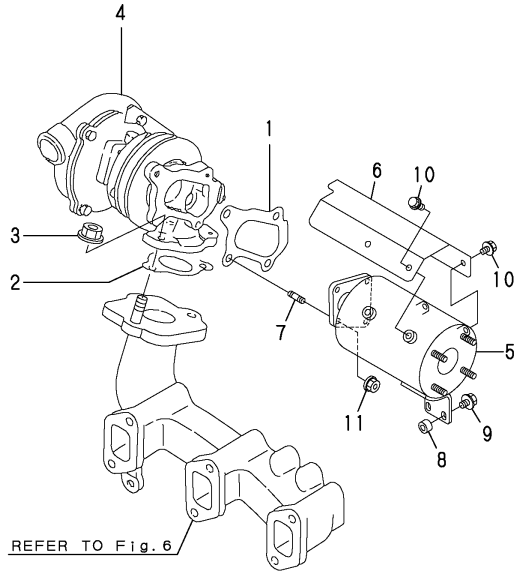
No.	Lev.	Parts No.	Description	Q'ty						I	R
				(A)	(B)	(C)	(D)	(E)	(F)		
1	1	129150-14200	TAPPET	6							
2	1	129150-14400	ROD, PUSH L=178	6							
3	1	129129-14580	CAMSHAFT ASSY	1							
4	2	129150-02450	BEARING, THRUST	1							
7	2	129150-14101	GEAR, CAMSHAFT	1							
8	2	22512-070140	KEY, 7X 14	1							
9	1	26106-080142	BOLT, M8X 14 PLATED	2							
10	1	119802-25051	SHAFT, IDLE	1							
11	1	119802-25100	GEAR ASSY, IDLE	1							
14	2	119802-25070	BUSH, IDLE GEAR	1							1
15	1	26106-080402	BOLT, M8X 40 PLATED	3							
16	1	129150-25301	BOLT	4							
17	1	119802-25901	GEAR, PUMP	1							

Remarks
(1)REPAIR PART.

Fig.8. TURBINE

(A)=3TNV84T-XKAH
(B)=
(C)=

(D)=
(E)=
(F)=



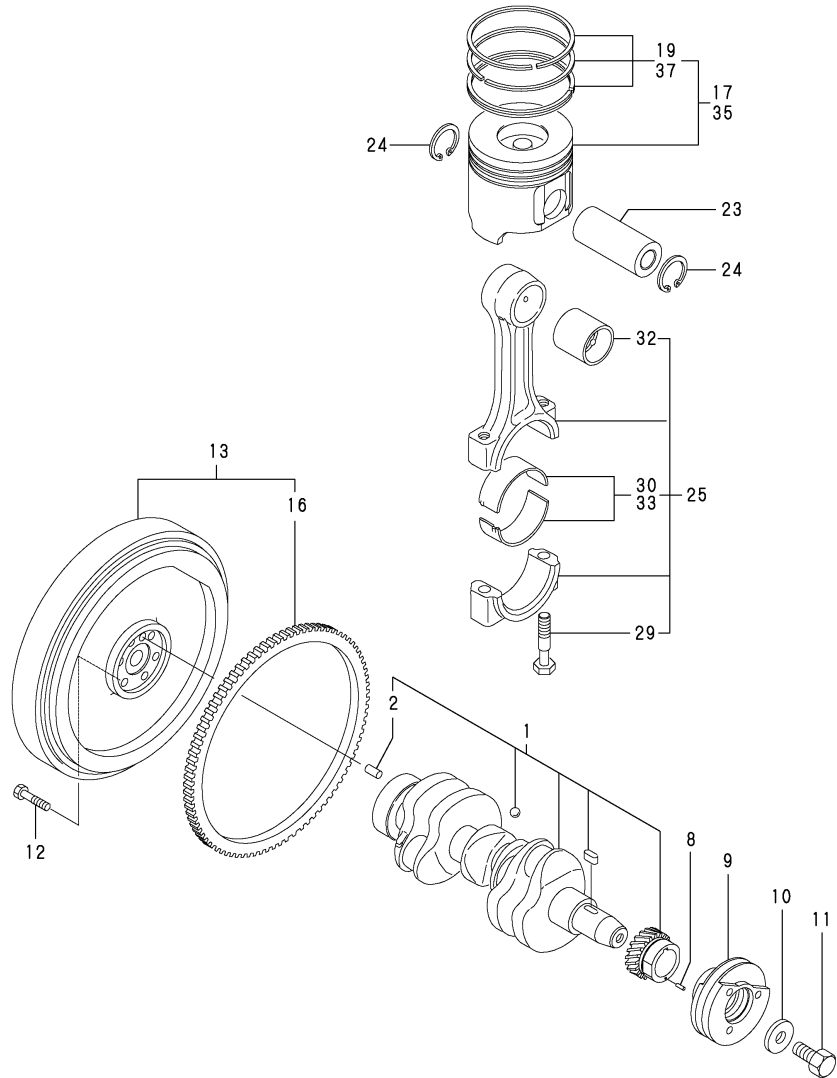
No.	Lev.	Parts No.	Description	Q'ty						I	R
				(A)	(B)	(C)	(D)	(E)	(F)		
1	1	129403-18091	GASKET	1							
2	1	129535-18100	GASKET	1							
3	1	26306-080002	NUT, M8	3							
4	1	129044-18010	TURBINE, RHB31W/G	1							
5	1	129012-13301	RESONATOR	1							
6	1	129012-13411	COVER, RESONATOR	1							
7	1	129418-18320	STUD, M8X20	4							
8	1	106500-44810	SPACER	2							
9	1	26014-080252	BOLT, M8X 25	2							
10	1	26106-080102	BOLT, M8X 10 PLATED	4							
11	1	26306-080002	NUT, M8	3							

Fig.9. CRANKSHAFT & PISTON

(A)=3TNV84T-XKAH
(B)=
(C)=

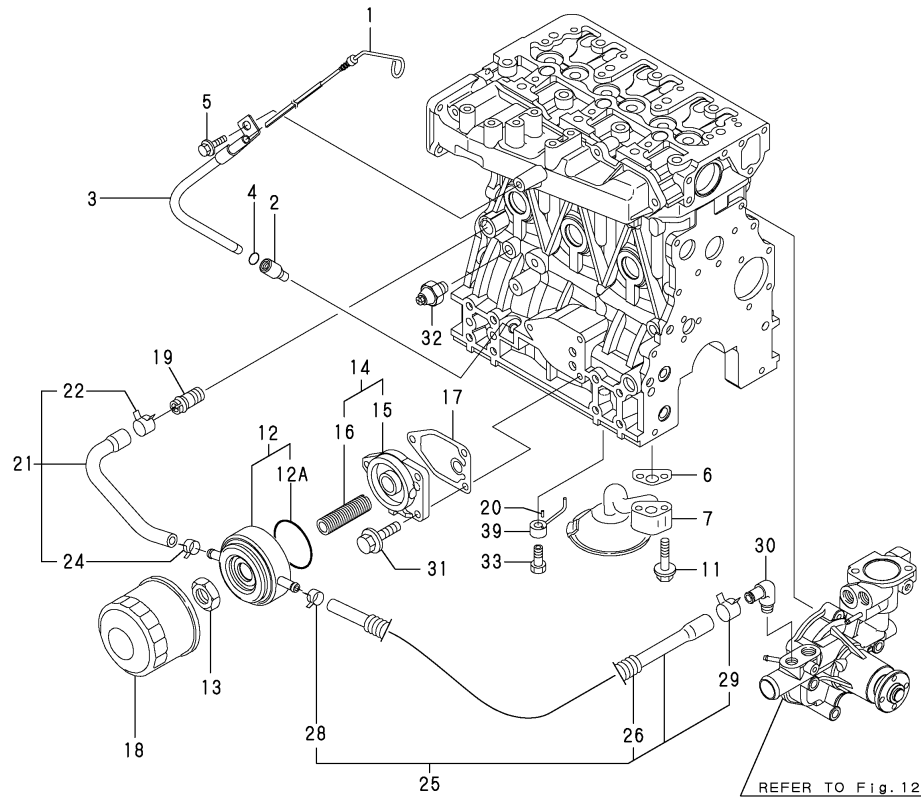
(D)=
(E)=
(F)=

No.	Lev.	Parts No.	Description	Q'ty						I	R
				(A)	(B)	(C)	(D)	(E)	(F)		
1	1	129004-21001	CRANKSHAFT ASSY	1							
1-1	1	129004-21002	CRANKSHAFT ASSY	1							N
(A=E/#10630)											
2	2	129100-01580	PIN, M8X16	1							
8	1	22351-030010	PIN, SPRING 3.0X10	1							
9	1	129004-21650	V-PULLEY, 110	1							
10	1	129795-21661	WASHER	1							
11	1	121850-21680	BOLT	1							
12	1	124160-21501	BOLT, FLYWHEEL	6							
13	1	129131-21591	FLYWHEEL ASSY	1							
16	2	124550-21600	GEAR, RING	1							
17	1	129004-22080	PISTON ASSY	3							
17-1	1	129007-22080	PISTON ASSY	3							N
(A=E/#12842)											
19	2	129004-22500	RING SET, PISTON	3							
19-1	2	129007-22500	RING SET, PISTON	3							S
(A=E/#12842)											
23	1	129202-22300	PIN, PISTON D26 L70	3							
24	1	22252-000260	RING, 26	6							
25	1	729402-23100	ROD ASSY, CONNECTING	3							
29	2	121550-23200	BOLT, CONNECTING ROD	6							
30	2	129150-23600	BEARING, CRANK PIN	3							
32	2	129100-23910	BEARING, PISTON PIN	3							
33	1	129150-23610	BEARING, 0.25 US	3							2
35	1	129004-22900	PISTON ASSY, 0.25 OS	3							3
37	2	129004-22950	RING SET, 0.25 OS	3							3



Remarks
 (1)REPAIR PART.
 (2)UNDER SIZED(U.S.=0.25)PART.
 (3)OVER SIZED(O.S.=0.25)PART.

Fig.10. LUB.OIL SYSTEM



(A)=3TNV84T-XKAH

(B)=

(C)=

(D)=

(E)=

(F)=

No.	Lev.	Parts No.	Description	Q'ty						I	R
				(A)	(B)	(C)	(D)	(E)	(F)		
1	1	129602-34800	DIPSTICK, OIL	1							
1-1	1	129602-34801	DIPSTICK, OIL	1							N
(A=E/#11146)											
2	1	119260-34810	GUIDE, DIPSTICK	1							
3	1	119802-34850	GUIDE, DIPSTICK	1							
4	1	24311-240100	O-RING, 1AP10A	1							
5	1	26106-080162	BOLT, M8X 16 PLATED	1							
6	1	129150-35041	GASKET	1							
6-1	1	129150-35042	GASKET	1							N
(A=E/#11146)											
7	1	129135-35090	PIPE ASSY, OIL INLET	1							
11	1	26106-080352	BOLT, M8X 35 PLATED	2							
12	1	129508-33010	COOLER ASSY, OIL	1							
12A	2	129508-33050	O-RING	1							W
(A=FROM 1ST)											
13	1	129417-33110	NUT	1							
14	1	129006-35100	BRACKET ASSY, FILTER	1							
15	2	119802-35110	BRACKET, FILTER	1							
16	2	129417-35150	STUD, L=67	1							
17	1	129150-35111	GASKET	1							
18	1	129150-35170	FILTER, LO	1							1
19	1	129122-44480	JOINT	1							
20	1	22351-030010	PIN, SPRING 3.0X10	3							
21	1	129508-49030	PIPE ASSY, WATER	1							
22	2	171008-03990	CLIP, HOSE 18.5	1							
24	2	23080-015000	CLAMP, 15	1							
25	1	129006-49040	PIPE ASSY, WATER	1							
26	2	123951-03330	TUBE, CORRUGATED	1							
26-1	2	129642-49180	TUBE, CORRUGATED	1							N
(A=E/#11739)											
28	2	23080-015000	CLAMP, 15	1							
29	2	23080-018000	CLAMP, 18	1							
30	1	129103-49301	ELBOW, PT1/4	1							
31	1	26106-080202	BOLT, M8X 20 PLATED	3							
32	1	114250-39450	SWITCH, 0.5KG	1							
33	1	129792-39410	VALVE ASSY, CHECK	3							
39	1	129553-39650	NOZZLE	3							

Remarks

(1) REPAIR PART.

Fig.11. LUB.OIL LINE

(A)=3TNV84T-XKAH

(B)=

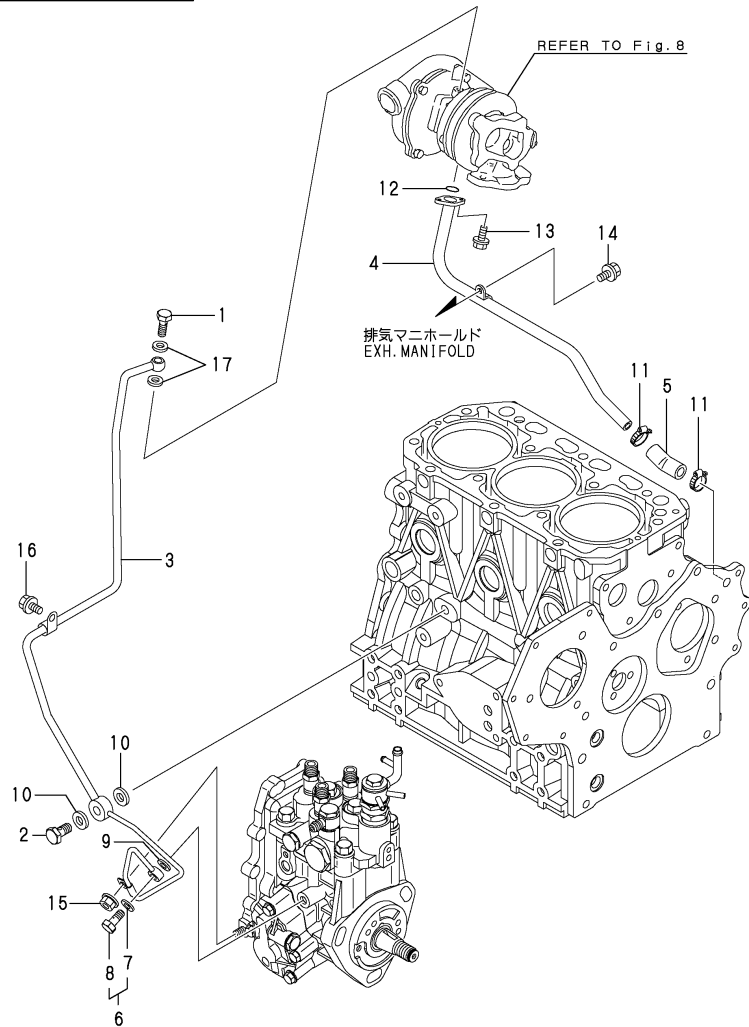
(C)=

(D)=

(E)=

(F)=

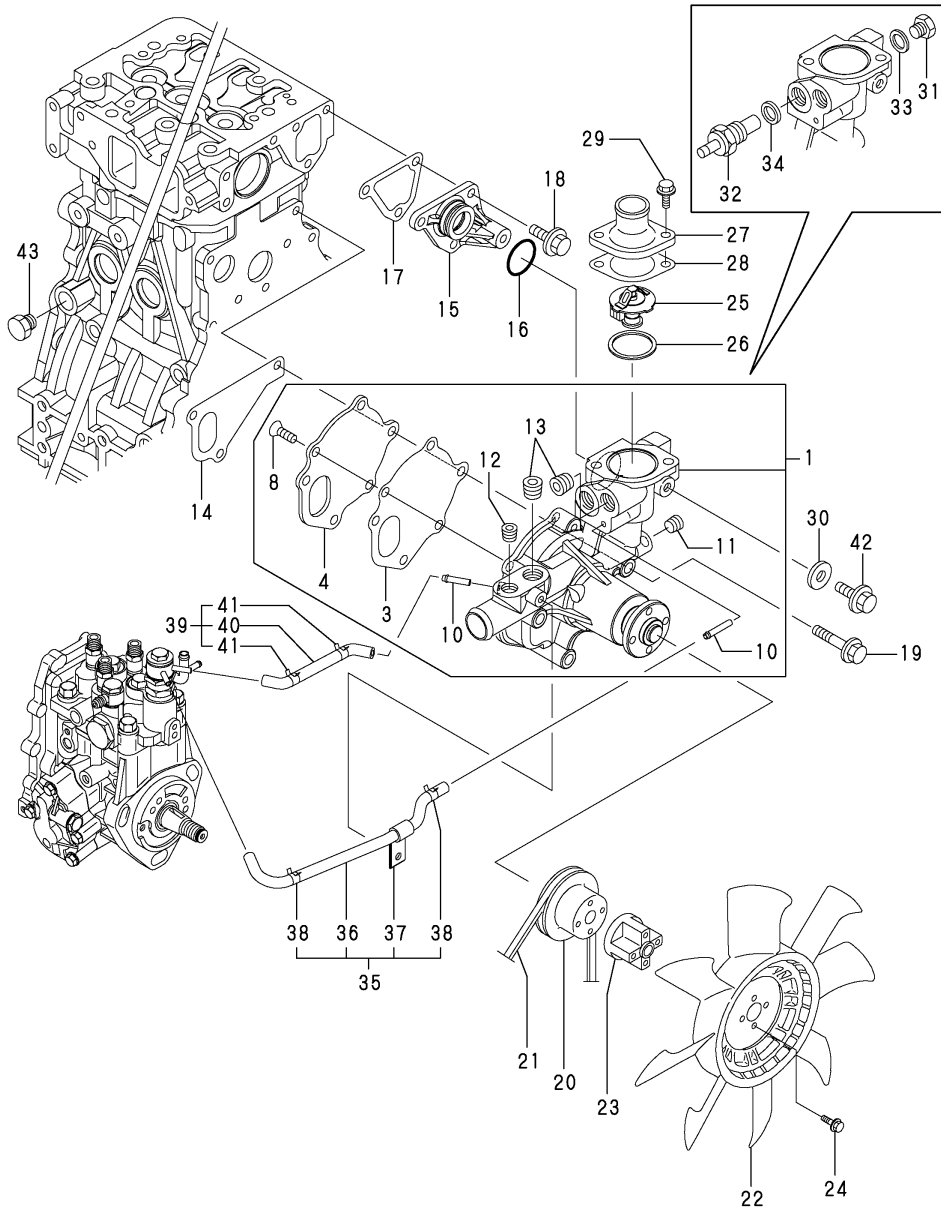
P/C NEWS No. : Y00K3603-2
PUBLISHED : 2007/5



No.	Lev.	Parts No.	Description	Q'ty						I	R
				(A)	(B)	(C)	(D)	(E)	(F)		
1	1	105010-39140	BOLT, PIPE JOINT	1							
2	1	124160-39140	BOLT, PIPE JOINT M10	1							
3	1	129006-39450	PIPE ASSY, OIL	1							
4	1	129139-39601	PIPE, OIL	1							
4-1	1	129139-39610	PIPE, OIL	1						F	1
(A=E/#25282)											
5	1	129403-39610	JOINT, RUBBER	1							
5-1	1	129044-39610	JOINT, RUBBER	1							S
(A=E/#25282)											
6	1	129005-59830	BOLT ASSY, JOINT M8	1							
7	2	22190-080002	WASHER, SEAL 6	1							
8	2	23857-030000	BOLT, JOINT 3	1							
9	1	22190-080002	WASHER, SEAL 6	1							
10	1	22190-100002	WASHER, SEAL 10	2							
11	1	23000-022000	CLAMP, 22	2							
12	1	24314-000160	O-RING, 4CP16.0	1							
12-1	1	24316-000160	O-RING, 4DP16.0	1							N
(A=E/#11739)											
13	1	26106-060162	BOLT, M6X 16 PLATED	2							
14	1	26106-080122	BOLT, M8X 12 PLATED	1							
15	1	26366-060002	NUT, M6	1							
16	1	26106-080122	BOLT, M8X 12 PLATED	1							
17	1	23414-080000	GASKET, 8X1.0	2							

Remarks
(1)INTERCHANGEABLE BY SIMULTANEOUS REPLACEMENT WITH REF.NO.5-1.

Fig.12. COOLING WATER SYSTEM



(A)=3TNV84T-XKAH

(B)=

(C)=

(D)=

(E)=

(F)=

No.	Lev.	Parts No.	Description	Q'ty						I	R
				(A)	(B)	(C)	(D)	(E)	(F)		
1	1	129004-42000	PUMP ASSY, WATER	1							
1-1	1	129004-42001	PUMP ASSY, WATER	1							R
(A=E/#06077)											
3	2	129100-42051	GASKET, WATER PUMP	1							
4	2	129100-42121	PLATE	1							
8	2	121850-42410	SCREW	3							
10	2	119802-49112	PIPE, WATER	2							
10-1	2	119802-49113	JOINT, PIPE	2							N
(A=E/#06077)											
11	2	23876-010000	PLUG, R01	1							
12	2	23876-020000	PLUG, R02	1							
13	2	23876-030000	PLUG, R03	2							
13-1	2	129916-49740	PLUG, R03	2							N
(A=E/#06077)											
14	1	129486-42021	GASKET, WATER PUMP	1							
15	1	129004-42040	JOINT	1							
16	1	129486-42140	O-RING, G30	1							
17	1	124395-49840	GASKET	1							
18	1	26106-080162	BOLT, M8X 16 PLATED	3							
19	1	26106-080602	BOLT, M8X 60 PLATED	3							
20	1	129403-42380	V-PULLEY, D=110	1							
21	1	25132-003800	V-BELT, A38	1							
22	1	171440-44740	FAN, COOLING D350XQF	1							
23	1	124574-44761	SPACER, FAN	1							
24	1	26106-060202	BOLT, M6X 20 PLATED	4							
25	1	129457-49801	THERMOSTAT, 82	1							
26	1	129150-49811	GASKET, THERMOSTAT	1							
27	1	129350-49560	COVER, THERMOSTAT	1							
28	1	129795-49551	GASKET	1							
29	1	26106-080202	BOLT, M8X 20 PLATED	2							
30	1	23414-080000	GASKET, 8X1.0	1							
31	1	121450-42450	PLUG, M16	1							
32	1	124250-49351	SENSOR	1							
33	1	124465-44950	GASKET, 16	1							
34	1	129150-49360	GASKET	1							
35	1	129004-49610	PIPE ASSY, WATER	1							
36	2	129004-49711	PIPE ASSY, WATER	1							
37	2	119802-49730	RETAINER, PIPE	1							
38	2	124722-59050	CLIP, HOSE 9	1							
39	1	129004-49620	PIPE ASSY, WATER	1							
40	2	129004-49721	PIPE ASSY, WATER	1							
41	2	124722-59050	CLIP, HOSE 9	2							
42	1	26106-080122	BOLT, M8X 12 PLATED	1							
43	1	171056-49120	PLUG, DRAIN	1							Z
(A=E/XXXX)											

Fig.13. FUEL INJECTION PUMP

(A)=3TNV84T-XKAH

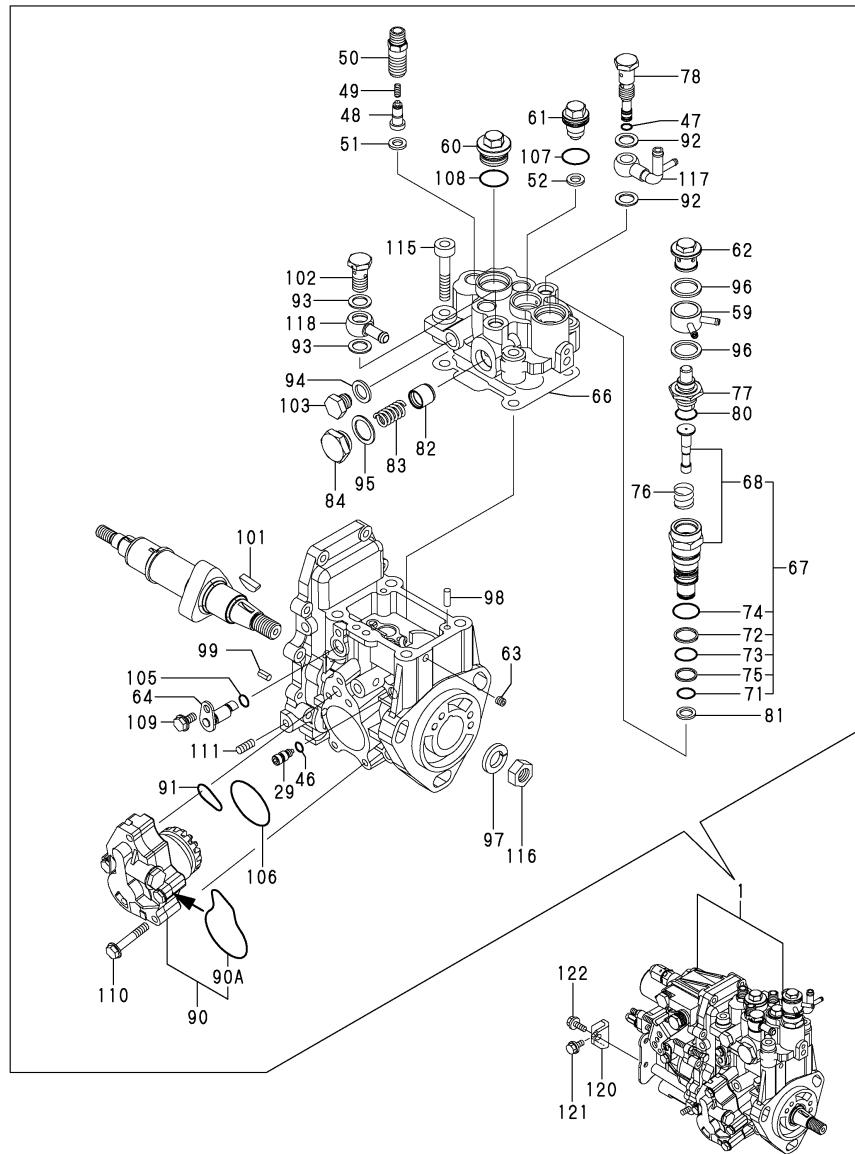
(B)=

(C)=

(D)=

(E)=

(F)=



No.	Lev.	Parts No.	Description	Q'ty						I	R
				(A)	(B)	(C)	(D)	(E)	(F)		
1	1	729044-51310	PUMP ASSY, INJECTION	1							
1-1	1	729044-51410	PUMP ASSY, INJECTION	1							F 1
(A=E/#08683)											
29	3	158600-51270	STOPPER, TAPPET	1							
46	3	158563-51281	O-RING, 4D S6	1							
47	3	158563-51281	O-RING, 4D S6	1							
48	3	158563-51300	VALVE ASSY, DELIVERY	3							
48-1	3	158560-51300	VALVE ASSY, DELIVERY	3							N
(A=E/#06077)											
49	3	158563-51330	SPRING, DELIVERY	3							
50	3	158601-51340	HOLDER, DELIVERY	3							
51	3	124552-51570	GASKET	1							
51-1	3	158552-51570	GASKET	1							S
(A=E/#08683)											
52	3	158552-51570	GASKET	3							
59	3	158553-51550	JOINT	1							
59-1	3	158553-51551	JOINT	1							N
(A=E/#11739)											
60	3	158601-51550	PLUG	1							
61	3	119802-51560	PLUG, BARREL	1							
62	3	158601-51570	PLUG	1							
63	3	158557-51570	PLUG	1							
64	3	158552-51580	LIFTER	1							
66	3	158552-51600	GASKET	1							
67	3	119802-51590	TIMER SET	1							
68	4	119802-51600	TIMER ASSY	1							
71	4	158553-51670	O-RING, 1011	1							
72	4	119802-51680	RING, BACK UP	1							
73	4	119802-51690	O-RING	1							
74	4	24356-010200	O-RING, 4D1020	1							
75	4	24372-000150	RING, BACK UP T2P15	1							
76	3	158553-51630	SPRING, TIMER	1							
77	3	158553-51640	ELEMENT	1							
78	3	158601-51650	JOINT, OVER FLOW	1							
80	3	158553-51660	O-RING, P14	1							
81	3	158553-51680	GASKET	1							
82	3	158601-51770	PISTON	1							
83	3	158552-51780	SPRING	1							
84	3	158601-51790	PLUG	1							
90	3	158552-52100	PUMP ASSY, FUEL FEED	1							
90A	4	158552-52500	O-RING	1							W
(A=E/#17663)											
91	3	158552-52300	O-RING, 4D S22.4	1							
91-1	3	158552-52310	O-RING	1							R
(A=E/#08683)											
92	3	22190-120002	WASHER, SEAL 12	2							
93	3	22190-120002	WASHER, SEAL 12	2							
94	3	22190-120002	WASHER, SEAL 12	1							
95	3	22190-180002	WASHER, SEAL 18	1							
96	3	22190-180002	WASHER, SEAL 18	2							
97	3	22217-140000	WASHER, SPRING 14	1							

Remarks

(1)INTERCHANGEABLE BY SIMULTANEOUS REPLACEMENT WITH REF FIG.15 REF NO.1.

Fig.13. FUEL INJECTION PUMP

(A)=3TNV84T-XKAH

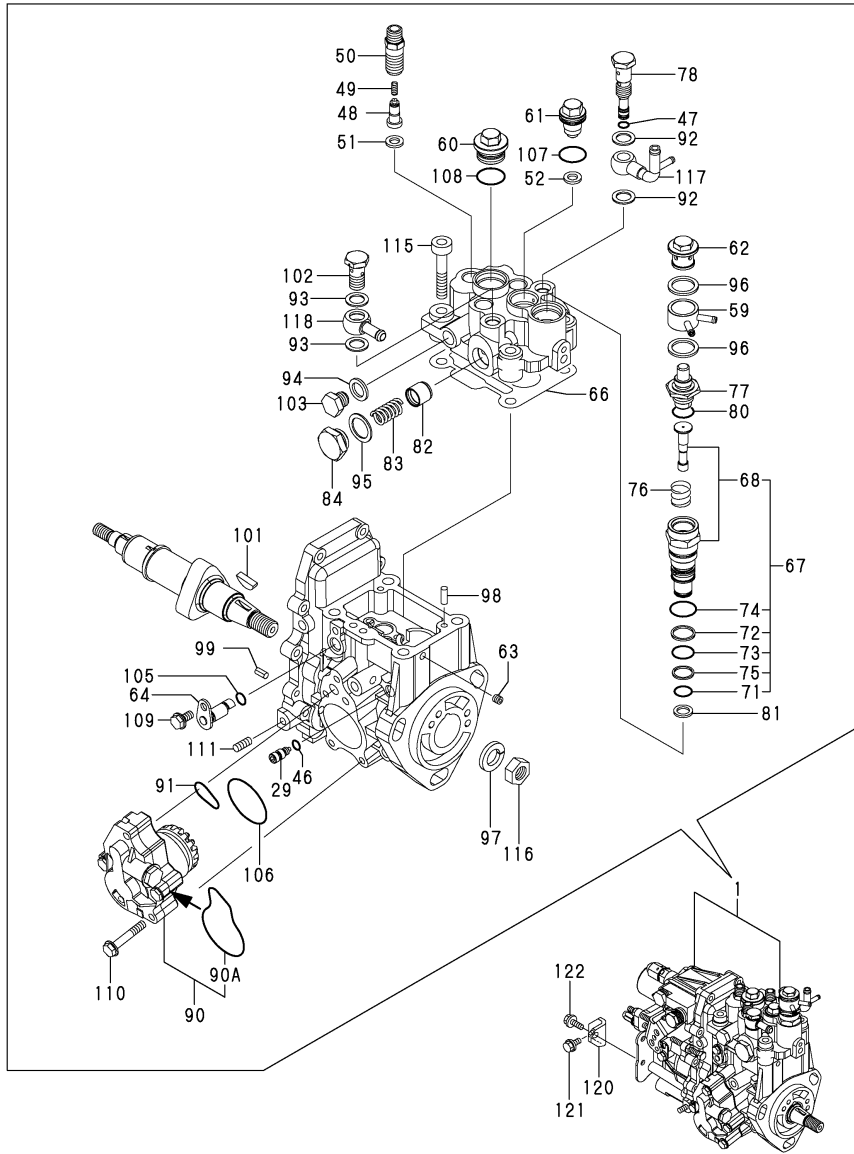
(B)=

(C)=

(D)=

(E)=

(F)=



No.	Lev.	Parts No.	Description	Q'ty						I	R
				(A)	(B)	(C)	(D)	(E)	(F)		
98	3	22312-050140	PIN, PARALLEL M5X14	2							
99	3	22351-050010	PIN, SPRING 5.0X10	2							
101	3	22522-040160	KEY, WOODRUFF 4X16	1							
101-1	3	119802-51090 (A=E/#08683)	KEY, 4X16	1							R
102	3	23857-060000	BOLT, JOINT 6	1							
103	3	23887-120002	PLUG, 12	1							
105	3	24311-000070	O-RING, 1AP7.0	1							
106	3	24341-000420	O-RING, 1AS42.0	1							
106-1	3	158552-52400 (A=E/#07700)	O-RING, 4E S42	1							N
107	3	24356-010180	O-RING, 4D1018	1							
108	3	24356-010200	O-RING, 4D1020	1							
109	3	26106-060102	BOLT, M6X 10 PLATED	1							
110	3	26106-060352	BOLT, M6X 35 PLATED	4							
110-1	3	158553-51770 (A=E/#11146)	BOLT	4							N
111	3	26216-060162	STUD, M6X 16	1							
115	3	26450-080452	BOLT, M8X 45	4							
116	3	26776-140002	NUT, LOCK M14	1							
117	2	158552-51670	JOINT, OVER FLOW	1							
118	2	129916-59020	JOINT, PIPE 12	1							
120	1	119802-51250	RETAINER, PUMP	1							
121	1	26106-080162	BOLT, M8X 16 PLATED	1							
122	1	26106-080202	BOLT, M8X 20 PLATED	1							

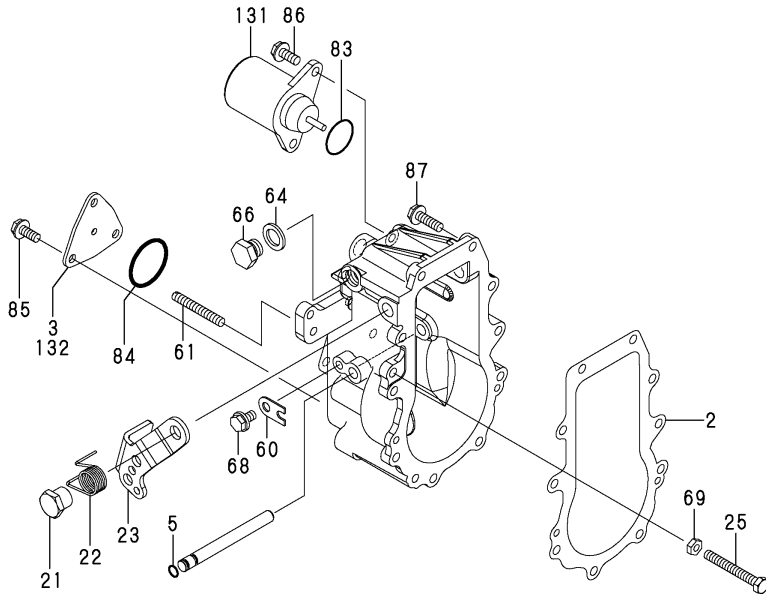
Remarks

(1)INTERCHANGEABLE BY SIMULTANEOUS REPLACEMENT WITH REF FIG.15 REF NO.1.

Fig.14. GOVERNOR

(A)=3TNV84T-XKAH
(B)=
(C)=

(D)=
(E)=
(F)=



No.	Lev.	Parts No.	Description	Q'ty						I	R
				(A)	(B)	(C)	(D)	(E)	(F)		
2	3	158553-61050	GASKET	1							
3	3	129044-61060	COVER, GOVERNOR CASE	1							Z
(A=E/#10630)											
5	4	129155-51280	O-RING, S6	1							
21	4	129255-61410	NUT, LOCK	1							
22	4	119807-61420	SPRING, RETURN	1							
23	4	158552-61441	LEVER, REGULATOR	1							
25	4	129155-61460	BOLT, IDLE	1							
60	4	119660-61901	RETAINER, SHAFT	1							
61	4	171002-66830	SCREW	1							
64	4	22190-120000	WASHER, SEAL 12	1							
66	4	23887-120002	PLUG, 12	1							
68	4	26106-060102	BOLT, M6X 10 PLATED	1							
69	4	26756-060002	NUT, LOCK M6	1							
83	3	24341-000280	O-RING, 1AS28.0	1							
83-1	3	158552-61900	O-RING	1							N
(A=EXXXXX)											
84	3	24341-000360	O-RING, 1AS36.0	1							
85	3	26106-060142	BOLT, M6X 14 PLATED	3							
85-1	3	26106-060102	BOLT, M6X 10 PLATED	3							S
(A=E/#06701)											
86	3	26106-060142	BOLT, M6X 14 PLATED	2							
87	3	26106-060202	BOLT, M6X 20 PLATED	10							
131	2	119653-77950	SOLENOID, STOP	1							
132	2	158563-61060	COVER, GOVERNOR CASE	1							W
(A=E/#10630)											

Fig.15. FUEL INJECTION VALVE

(A)=3TNV84T-XKAH

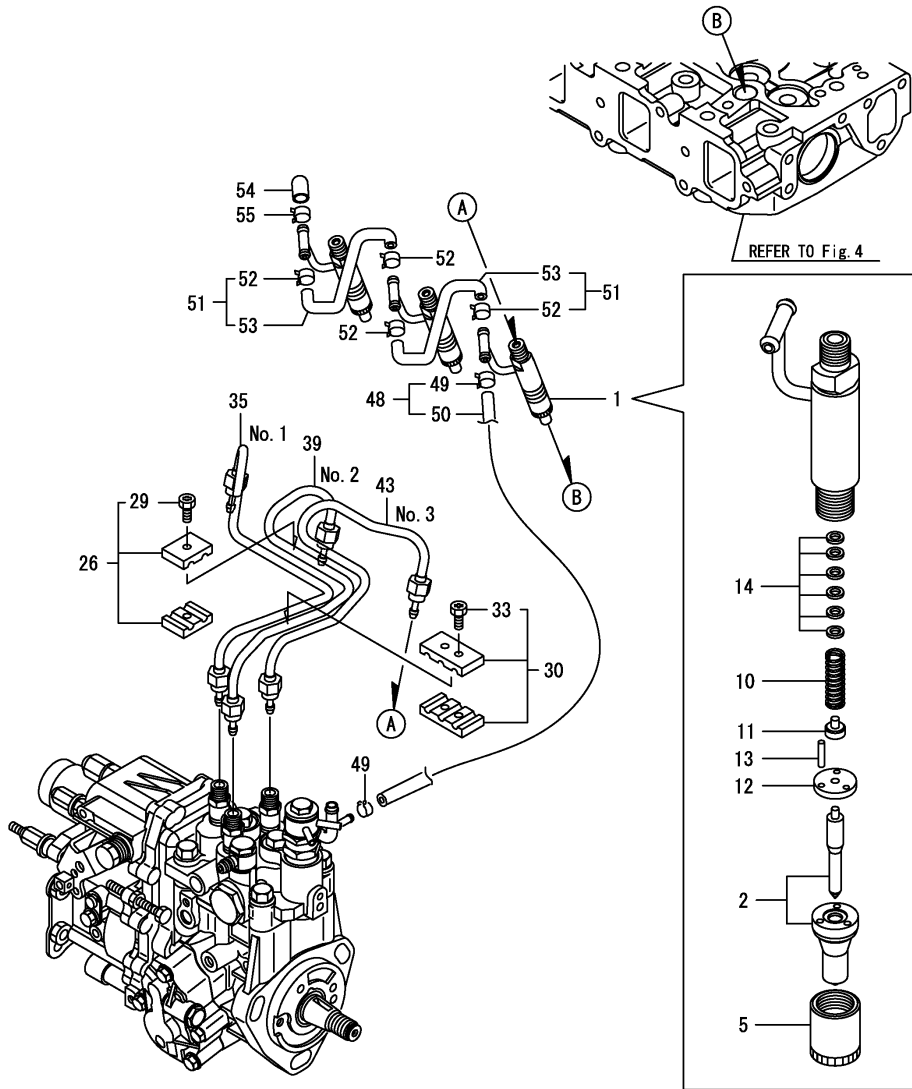
(B)=

(C)=

(D)=

(E)=

(F)=

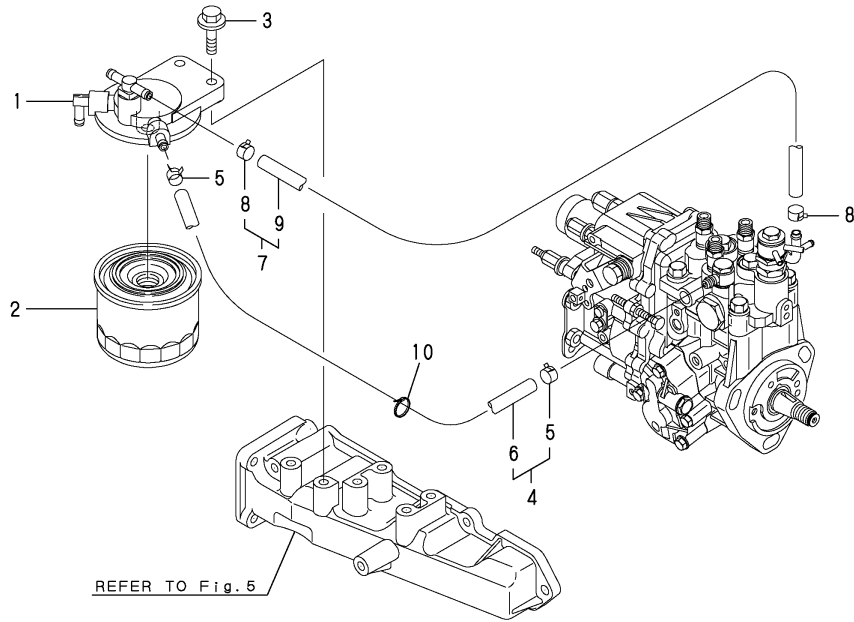


No.	Lev.	Parts No.	Description	Q'ty						I	R
				(A)	(B)	(C)	(D)	(E)	(F)		
1	1	729004-53101	VALVE ASSY,INJECTION	3							
1-1	1	729245-53100	VALVE ASSY,INJECTION	3							S
(A=E/#08683)											
2	2	129004-53001	VALVE ASSY,INJECTION	3							
5	2	114250-53080	NUT, NOZZLE D16.95	3							
10	2	114250-53120	SPRING, NOZZLE	3							
11	2	114250-53130	SEAT, SPRING	3							
12	2	114250-53140	PLATE	3							
13	2	114250-53210	PIN	6							
14	2	114250-53400	SHIM SET	3							
26	1	119305-59120	RETAINER, PIPE	1							
29	2	129150-59131	BOLT, M4X14	1							
30	1	129150-59120	RETAINER, PIPE	1							
33	2	129150-59131	BOLT, M4X14	2							
35	1	129004-59810	PIPE ASSY, INJECTION	1							
39	1	129004-59820	PIPE ASSY, INJECTION	1							
43	1	129004-59830	PIPE ASSY, INJECTION	1							
48	1	119802-59550	PIPE ASSY, RETURN	1							
49	2	124722-59050	CLIP, HOSE 9	2							
50	2	119802-59560	PIPE, FUEL RETURN	1							
51	1	129486-59551	PIPE ASSY, RETURN	2							
52	2	124722-59050	CLIP, HOSE 9	4							
53	2	129486-59510	PIPE, FUEL RETURN	2							
54	1	119593-59580	CAP	1							
55	1	124060-77680	CLIP, HOSE 10	1							

Fig.16. FUEL PIPE

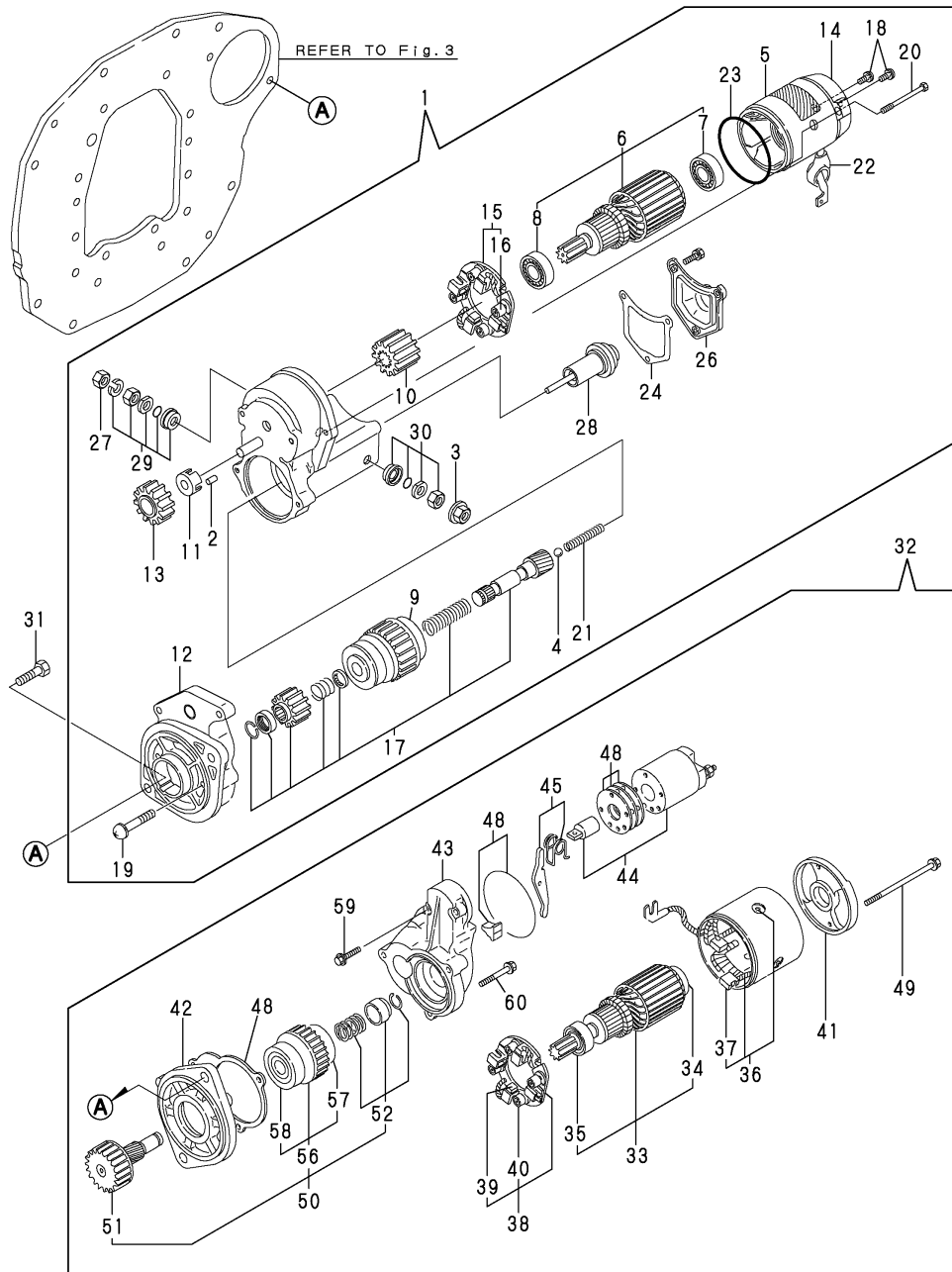
(A)=3TNV84T-XKAH
(B)=
(C)=

(D)=
(E)=
(F)=



No.	Lev.	Parts No.	Description	Q'ty						I	R
				(A)	(B)	(C)	(D)	(E)	(F)		
1	1	129004-55610	BRACKET, FILTER	1							
1-1	1	129004-55611	BRACKET, FILTER	1							R
(A=E/#16955)											
2	1	119802-55800	FILTER, FUEL	1							
3	1	26106-080302	BOLT, M8X 30 PLATED	2							
4	1	129044-59010	PIPE, D13/7.5X220	1							
5	2	124766-59050	CLIP, HOSE 12	2							
6	2	105025-59580	PIPE, FUEL	1							
7	1	129950-59311	PIPE, FUEL	1							
8	2	124766-59050	CLIP, HOSE 12	2							
9	2	129961-59110	TUBE, CORRUGATED	1							
10	1	121750-59890	BAND, 140	1							

Fig.17. STARTING MOTOR

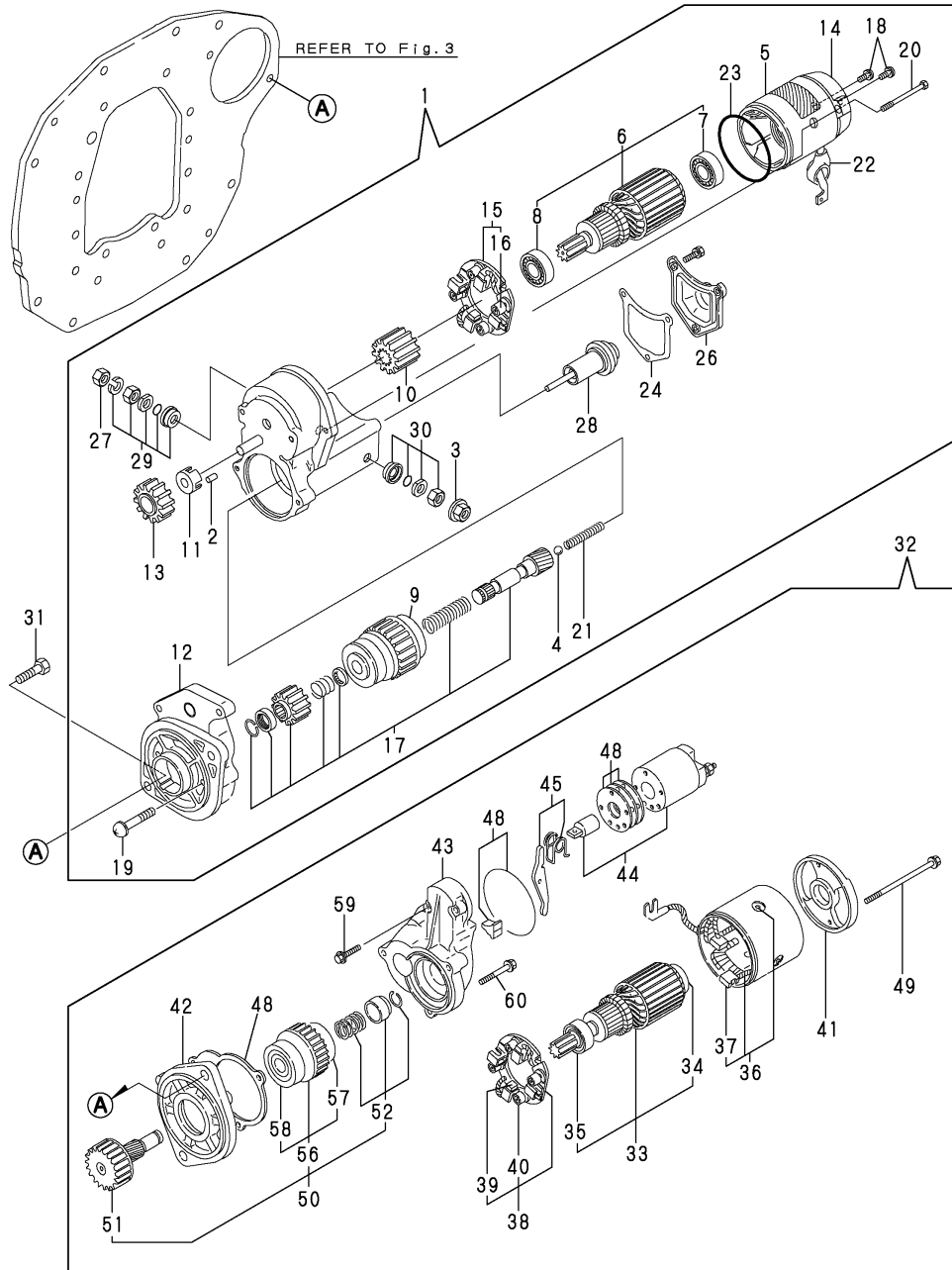


(A)=3TNV84T-XKAH
(B)=
(C)=

(D)=
(E)=
(F)=

No.	Lev.	Parts No.	Description	Q'ty						I	R
				(A)	(B)	(C)	(D)	(E)	(F)		
1	1	129429-77011	STARTER ASSY	1							Z
		(A=E/#11723)									
2	2	X0283060061	ROLLER	5							Z
		(A=E/#11723)									
3	2	X9490561370	NUT	1							Z
		(A=E/#11723)									
4	2	X9491200240	BALL	1							Z
		(A=E/#11723)									
5	2	129429-77210	YOKE ASSY	1							Z
		(A=E/#11723)									
6	2	129429-77220	ARMATURE ASSY	1							Z
		(A=E/#11723)									
7	3	129429-77230	BEARING	1							Z
		(A=E/#11723)									
8	3	129129-77240	BEARING	1							Z
		(A=E/#11723)									
9	2	129429-77240	STARTER	1							Z
		(A=E/#11723)									
10	2	129429-77250	PINION ASSY	1							Z
		(A=E/#11723)									
11	2	129129-77260	RETAINER	1							Z
		(A=E/#11723)									
12	2	129429-77260	HOUSING	1							Z
		(A=E/#11723)									
13	2	129129-77270	PINION	1							Z
		(A=E/#11723)									
14	2	129429-77270	FRAME	1							Z
		(A=E/#11723)									
15	2	129429-77280	HOLDER ASSY	1							Z
		(A=E/#11723)									
16	3	129429-77290	SPRING	4							Z
		(A=E/#11723)									
17	2	129429-77300	SWITCH ASSY	1							Z
		(A=E/#11723)									
18	2	129429-77310	SCREW	2							Z
		(A=E/#11723)									
19	2	129429-77320	SCREW	2							Z
		(A=E/#11723)									
20	2	129429-77330	BOLT	2							Z
		(A=E/#11723)									
21	2	129129-77340	SPRING	1							Z
		(A=E/#11723)									
22	2	129429-77340	CAP	1							Z
		(A=E/#11723)									
23	2	129129-77350	O-RING	2							Z
		(A=E/#11723)									
24	2	129429-77350	GASKET	1							Z
		(A=E/#11723)									
26	2	129429-77360	COVER	1							Z
		(A=E/#11723)									
27	2	129129-77370	NUT	1							Z

Fig.17. STARTING MOTOR



(A)=3TNV84T-XKAH
(B)=
(C)=

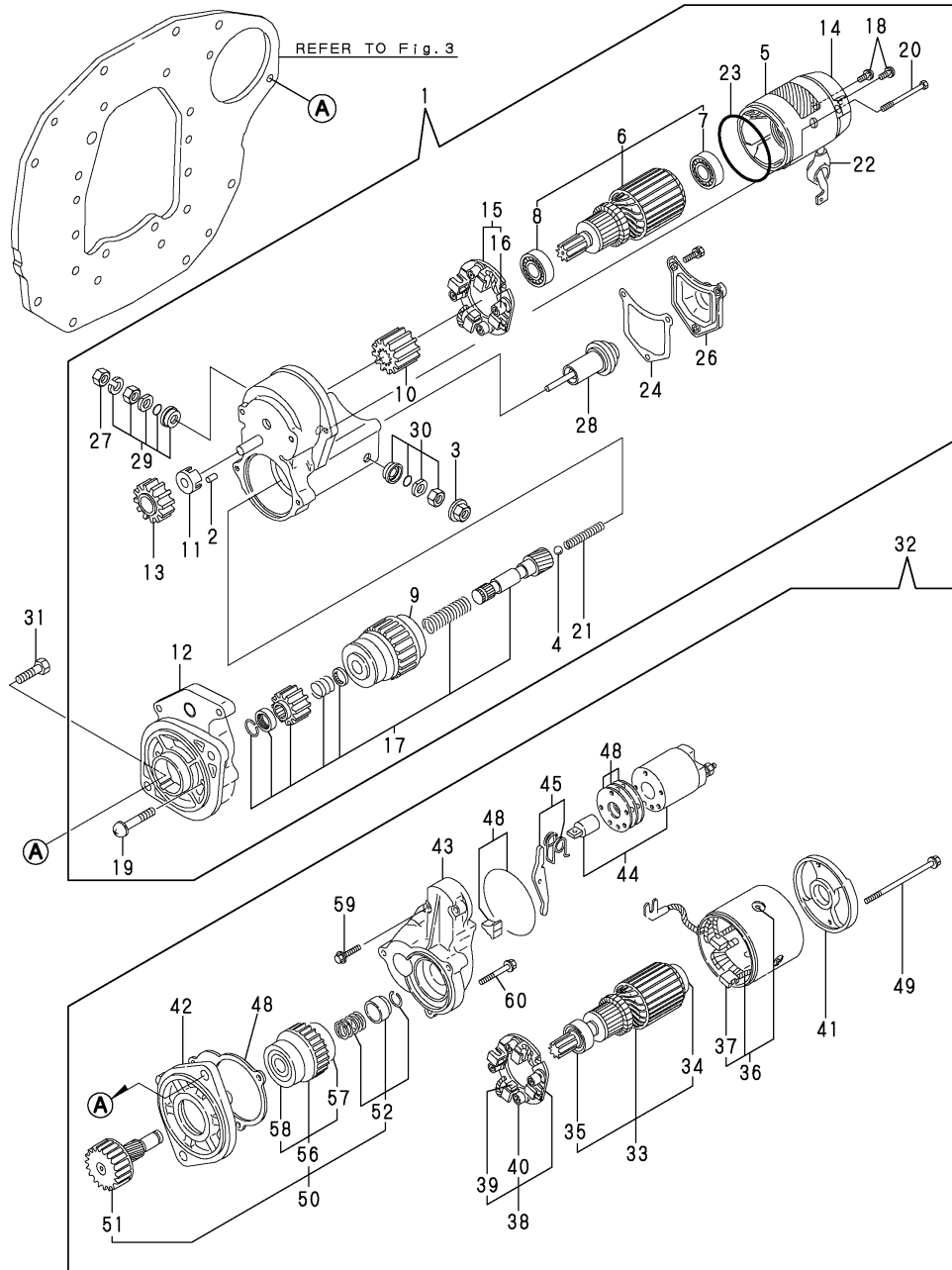
(D)=
(E)=
(F)=

No.	Lev.	Parts No.	Description	Q'ty						I	R
				(A)	(B)	(C)	(D)	(E)	(F)		
		(A=E/#11723)									
28	2	129429-77370	PLUNGER	1							Z
		(A=E/#11723)									
29	2	129429-77380	STARTER KIT	1							Z
		(A=E/#11723)									
30	2	129429-77390	STARTER KIT	1							Z
		(A=E/#11723)									
31	1	26116-120252	BOLT, M12X 25 PLATED	2							
31-1	1	26116-120202	BOLT, M12X 20 PLATED	2							S
		(A=E/#11723)									
32	1	129400-77012	STARTER	1							W
		(A=E/#11723)									
33	2	129486-77400	ARMATURE	1							W
		(A=E/#11723)									
34	3	171008-77410	BEARING	1							W
		(A=E/#11723)									
35	3	171008-77420	BEARING	1							W
		(A=E/#11723)									
36	2	129400-77441	COIL ASSY, FIELD	1							W
		(A=E/#11723)									
37	3	129486-77460	BRUSH	2							W
		(A=E/#11723)									
38	2	129486-77470	HOLDER ASSY, BRUSH	1							W
		(A=E/#11723)									
39	3	129486-77460	BRUSH	2							W
		(A=E/#11723)									
40	3	129486-77490	SPRING	4							W
		(A=E/#11723)									
41	2	129900-77460	COVER	1							W
		(A=E/#11723)									
42	2	171008-77510	CASE, GEAR	1							W
		(A=E/#11723)									
43	2	129400-77520	HOUSING	1							W
		(A=E/#11723)									
44	2	129400-77531	SWITCH ASSY	1							W
		(A=E/#11723)									
45	2	171008-77540	LEVER SET	1							W
		(A=E/#11723)									
48	2	129400-77571	COVER ASSY, DUST	1							W
		(A=E/#11723)									
49	2	129900-77640	BOLT, THROUGH	2							W
		(A=E/#11723)									
50	2	171008-77650	PINION ASSY	1							W
		(A=E/#11723)									
51	3	171008-77660	SHAFT	1							W
		(A=E/#11723)									
52	3	171008-77670	STOPPER SET	1							W
		(A=E/#11723)									
56	3	X2114555500	CLUTCH ASSY	1							W
		(A=E/#11723)									
57	4	X2114955020	BEARING, BALL	1							W

Fig.17. STARTING MOTOR

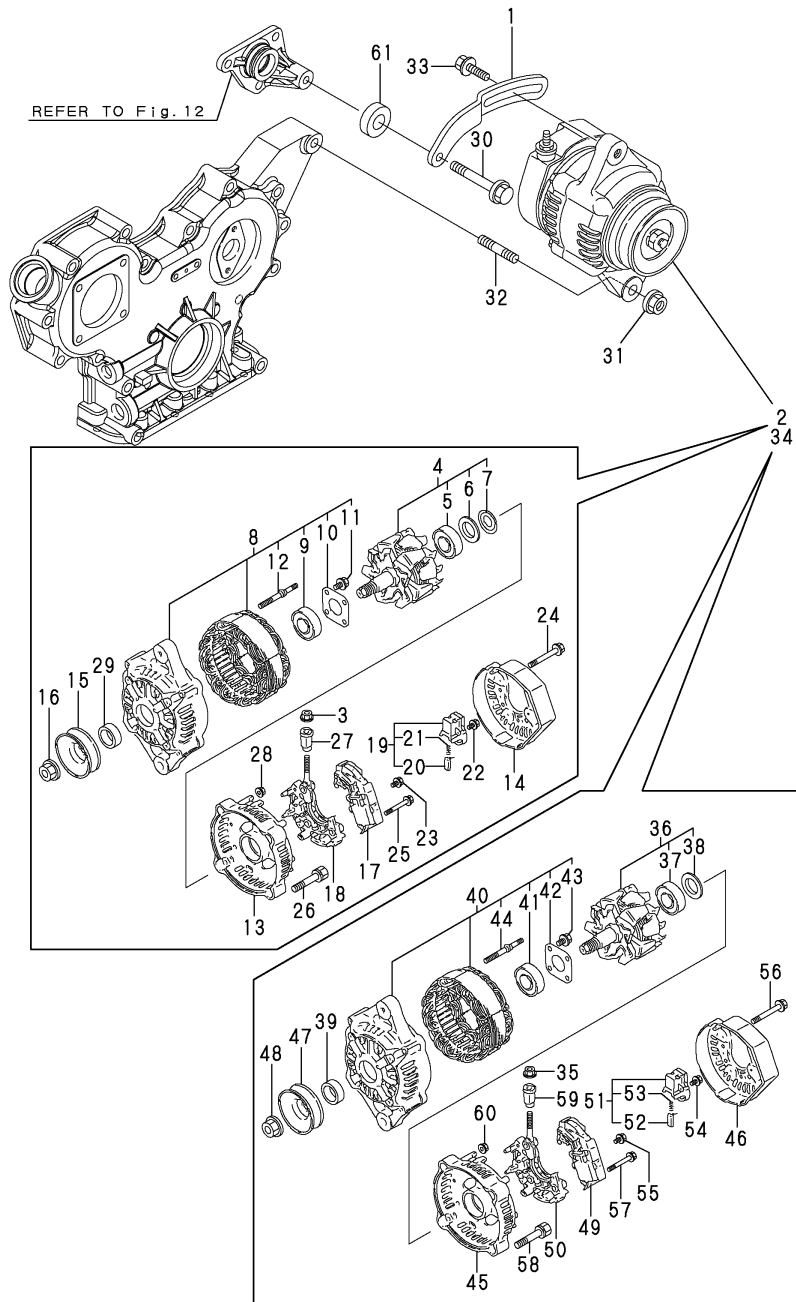
(A)=3TNV84T-XKAH
(B)=
(C)=

(D)=
(E)=
(F)=



No.	Lev.	Parts No.	Description	Q'ty						I	R
				(A)	(B)	(C)	(D)	(E)	(F)		
		(A=E/#11723)									
58	4	X2240410100	BEARING, BALL	1							W
		(A=E/#11723)									
59	2	26106-060322	BOLT, M6X 32 PLATED	2							W
		(A=E/#11723)									
60	2	26106-060402	BOLT, M6X 40 PLATED	3							W
		(A=E/#11723)									

Fig.18. GENERATOR

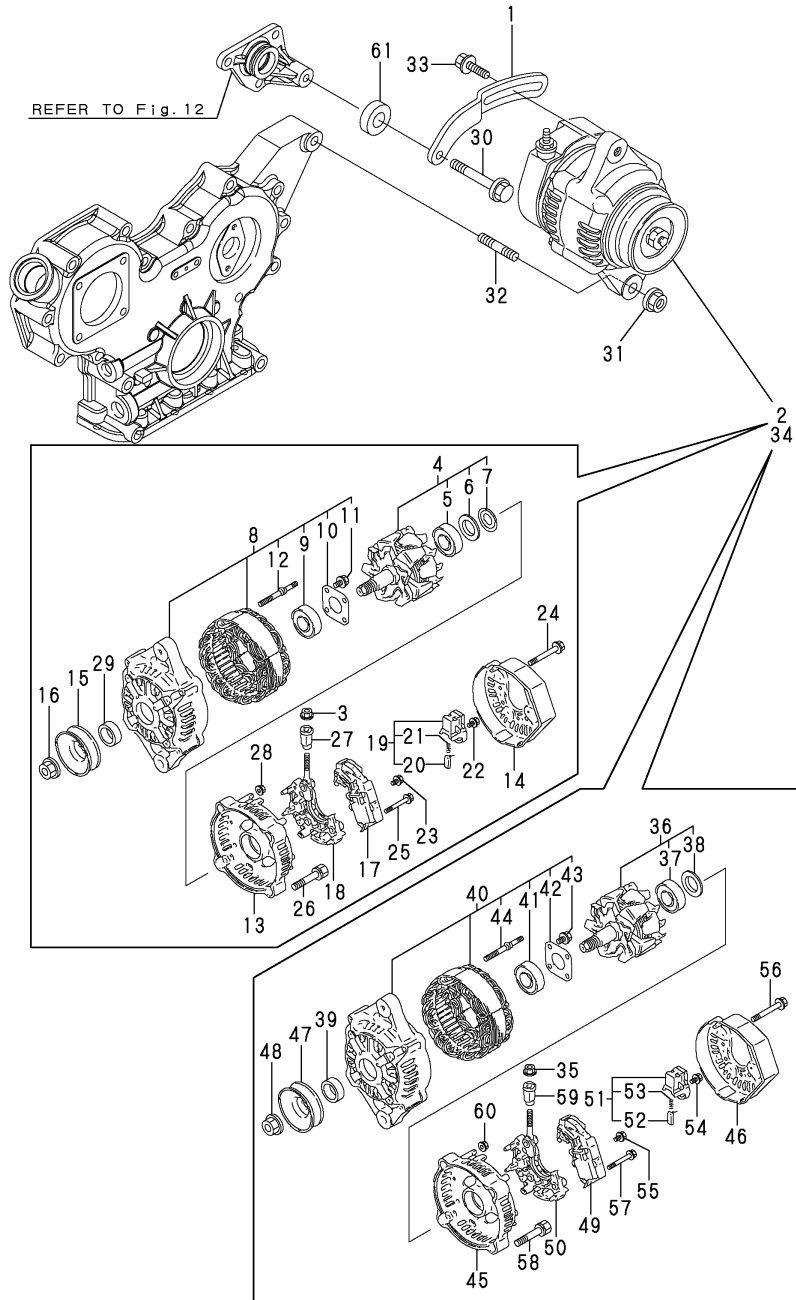


(A)=3TNV84T-XKAH
(B)=
(C)=

(D)=
(E)=
(F)=

No.	Lev.	Parts No.	Description	Q'ty						I	R
				(A)	(B)	(C)	(D)	(E)	(F)		
1	1	119802-77320	ADJUSTER	1							
1-1	1	119802-77330	ADJUSTER	1							N
(A=E/#16955)											
2	1	119620-77201	GENERATOR, 40A	1							Z
(A=FROM 1ST)											
3	2	X9490561001	NUT	1							Z
(A=FROM 1ST)											
4	2	119620-77380	ROTOR ASSY	1							Z
(A=FROM 1ST)											
5	3	119620-79240	BEARING, BALL	1							Z
(A=FROM 1ST)											
6	3	119620-79250	COVER	1							Z
(A=FROM 1ST)											
7	3	119620-79360	WASHER, THRUST	1							Z
(A=FROM 1ST)											
8	2	119620-77421	FRAME ASSY, DRIVE	1							Z
(A=FROM 1ST)											
9	3	119620-79200	BEARING, BALL	1							Z
(A=FROM 1ST)											
10	3	119620-79210	PLATE, RETAINER	1							Z
(A=FROM 1ST)											
11	3	119620-79220	SCREW	4							Z
(A=FROM 1ST)											
12	3	119620-79230	STUD	2							Z
(A=FROM 1ST)											
13	2	119620-77440	FRAME ASSY	1							Z
(A=FROM 1ST)											
14	2	119620-77450	COVER	1							Z
(A=FROM 1ST)											
15	2	119620-77461	PULLEY	1							Z
(A=FROM 1ST)											
16	2	119620-77471	NUT	1							Z
(A=FROM 1ST)											
17	2	119620-77710	REGULATOR ASSY	1							Z
(A=FROM 1ST)											
18	2	119620-79260	HOLDER	1							Z
(A=FROM 1ST)											
19	2	119620-79270	HOLDER, BRUSH	1							Z
(A=FROM 1ST)											
20	3	119620-77480	BRUSH ASSY	2							Z
(A=FROM 1ST)											
21	3	119620-79280	SPRING	2							Z
(A=FROM 1ST)											
22	2	119620-79290	SCREW	6							Z
(A=FROM 1ST)											
23	2	119620-79300	SCREW	1							Z
(A=FROM 1ST)											
24	2	119620-79310	BOLT	3							Z
(A=FROM 1ST)											
25	2	119620-79320	SCREW	2							Z
(A=FROM 1ST)											

Fig.18. GENERATOR



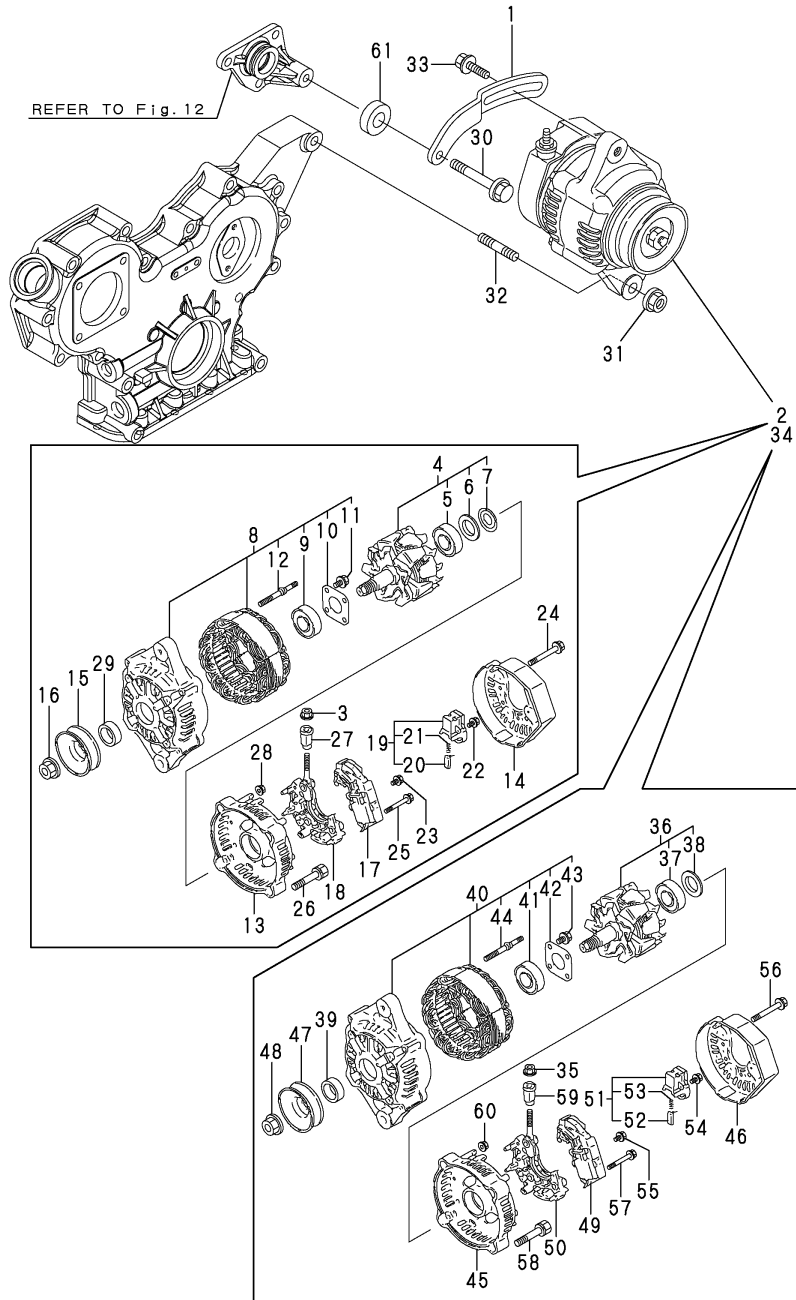
(A)=3TNV84T-XKAH
(B)=
(C)=

(D)=
(E)=
(F)=

No.	Lev.	Parts No.	Description	Q'ty						I	R
				(A)	(B)	(C)	(D)	(E)	(F)		
26	2	119620-79330	BOLT	2							Z
		(A=FROM 1ST)									
27	2	119620-79340	BUSH, INSULATION	1							Z
		(A=FROM 1ST)									
28	2	119620-79350	NUT	2							Z
		(A=FROM 1ST)									
29	2	119620-77490	COLLAR	1							Z
		(A=FROM 1ST)									
30	1	26106-080502	BOLT, M8X 50 PLATED	1							
30-1	1	26106-080452	BOLT, M8X 45 PLATED	1							N
		(A=E/#16955)									
31	1	26306-100002	NUT, M10	1							
32	1	129795-01900	STUD	1							
33	1	119810-77340	BOLT, ADJUSTER	1							
33-1	1	129972-77341	BOLT, ADJUSTER L=50	1							N
		(A=E/#14588)									
34	1	129052-77220	GENERATOR, 12V-55A	1							W
		(A=FROM 1ST)									
35	2	X9490561001	NUT	1							W
		(A=FROM 1ST)									
36	2	129052-77380	ROTOR ASSY	1							W
		(A=FROM 1ST)									
37	3	119620-79240	BEARING, BALL	1							W
		(A=FROM 1ST)									
38	3	119620-79250	COVER	1							W
		(A=FROM 1ST)									
39	2	119620-77490	COLLAR	1							W
		(A=FROM 1ST)									
40	2	129052-77422	FRAME ASSY	1							W
		(A=FROM 1ST)									
41	3	119620-79200	BEARING, BALL	1							W
		(A=FROM 1ST)									
42	3	119620-79210	PLATE, RETAINER	1							W
		(A=FROM 1ST)									
43	3	119620-79220	SCREW	4							W
		(A=FROM 1ST)									
44	3	119620-79230	STUD	2							W
		(A=FROM 1ST)									
45	2	128401-77440	FRAME	1							W
		(A=FROM 1ST)									
46	2	128401-77450	COVER	1							W
		(A=FROM 1ST)									
47	2	119620-77461	PULLEY	1							W
		(A=FROM 1ST)									
48	2	119620-77471	NUT	1							W
		(A=FROM 1ST)									
49	2	119620-77710	REGULATOR ASSY	1							W
		(A=FROM 1ST)									
50	2	129052-79260	HOLDER	1							W
		(A=FROM 1ST)									
51	2	129052-79270	HOLDER, BRUSH	1							W

N:Old $\xrightarrow{\text{Yes}}$ New, Q:Old $\xrightarrow{\text{No}}$ New, R:Old $\xrightarrow{\text{Yes}}$ New, S:Old $\xrightarrow{\text{No}}$ New, W:Add, Z:Discontinued, F:Interchangeable by set, K:Q'ty Change
 ++ CONTINUE ++
 Copyright (C) YANMAR CO., LTD. All Rights Reserved.

Fig.18. GENERATOR



(A)=3TNV84T-XKAH
(B)=
(C)=

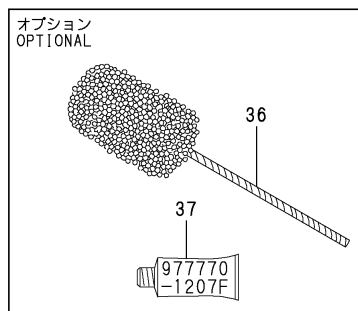
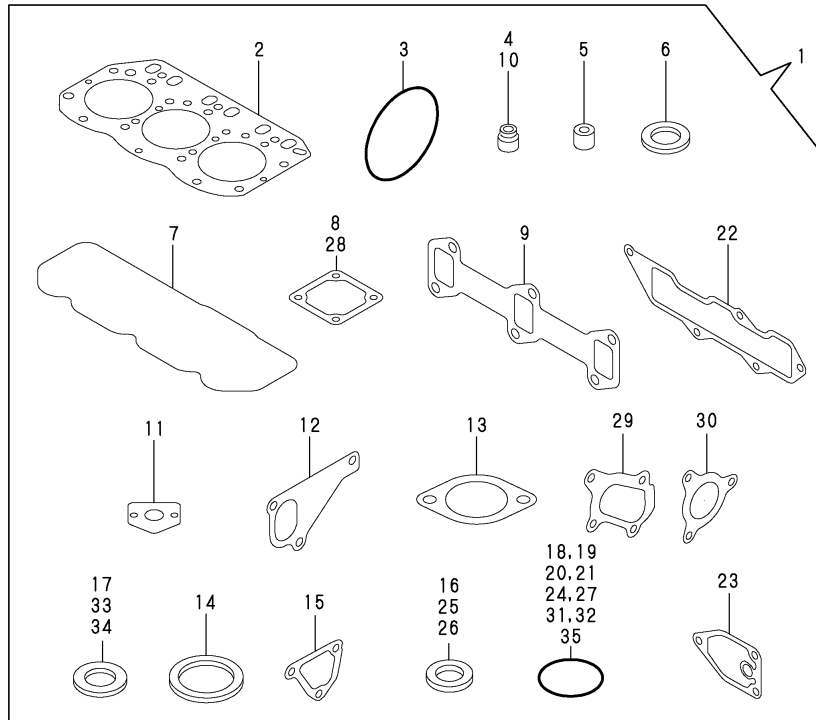
(D)=
(E)=
(F)=

No.	Lev.	Parts No.	Description	Q'ty						I	R
				(A)	(B)	(C)	(D)	(E)	(F)		
		(A=FROM 1ST)									
52	3	119620-77480	BRUSH ASSY	2							W
		(A=FROM 1ST)									
53	3	119620-79280	SPRING	2							W
		(A=FROM 1ST)									
54	2	119620-79290	SCREW	6							W
		(A=FROM 1ST)									
55	2	119620-79300	SCREW	1							W
		(A=FROM 1ST)									
56	2	119620-79310	BOLT	3							W
		(A=FROM 1ST)									
57	2	119620-79320	SCREW	2							W
		(A=FROM 1ST)									
58	2	119620-79330	BOLT	2							W
		(A=FROM 1ST)									
59	2	119620-79340	BUSH, INSULATION	1							W
		(A=FROM 1ST)									
60	2	119620-79350	NUT	2							W
		(A=FROM 1ST)									
61	1	119940-77270	SPACER, GENERATOR	1							W
		(A=E/#16955)									

Fig.19. GASKET SET & TOOLS

(A)=3TNV84T-XKAH
(B)=
(C)=

(D)=
(E)=
(F)=



No.	Lev.	Parts No.	Description	Q'ty						I	R
				(A)	(B)	(C)	(D)	(E)	(F)		
1	1	729246-92620	GASKET SET	1							1
2	2	129002-01331	GASKET, HEAD	1							
3	2	121850-51960	O-RING	1							
4	2	124460-11340	SEAL, VALVE STEM	3							
5	2	119802-11870	PROTECTOR, NOZZLE	3							
6	2	119625-11880	SEAT, NOZZLE	3							
7	2	129004-11310	GASKET, BONNET	1							
8	2	129150-77511	GASKET	1							
9	2	129150-13110	GASKET	1							
10	2	121400-11340	SEAL, VALVE STEM	3							
11	2	129150-35041	GASKET	1							
11-1	1	129150-35042	GASKET	1							N
(A=E/#11146)											
12	2	129486-42021	GASKET, WATER PUMP	1							
13	2	129795-49551	GASKET	1							
14	2	129150-49811	GASKET, THERMOSTAT	1							
15	2	124395-49840	GASKET	1							
16	2	22190-080002	WASHER, SEAL 6	2							
17	2	124465-44950	GASKET, 16	1							
18	2	24311-000120	O-RING, 1AP12.0	3							
19	2	24311-000320	O-RING, 1AP32.0	2							
20	2	24341-000240	O-RING, 1AS24.0	1							
21	2	129486-42140	O-RING, G30	1							
22	2	129001-12110	GASKET, MANIFOLD	1							
23	2	129150-35111	GASKET	1							
24	2	119609-32040	O-RING, P16	4							
25	2	22190-100002	WASHER, SEAL 10	2							
26	2	22190-160002	WASHER, SEAL 16	1							
27	2	24341-000400	O-RING, 1AS40.0	1							
28	2	129100-77510	GASKET	1							
29	2	129403-18091	GASKET	1							
30	2	129535-18100	GASKET	1							
31	2	24311-240100	O-RING, 1AP10A	1							
32	2	24314-000160	O-RING, 4CP16.0	1							
32-1	1	24316-000160	O-RING, 4DP16.0	1							N
(A=E/#11739)											
33	2	23414-080000	GASKET, 8X1.0	1							
34	2	129150-49360	GASKET	1							
35	2	24311-000150	O-RING, 1AP15.0	1							
36	1	129400-92420	HONE	1							1
37	1	977770-1207F	GASKET.LIQUID	1							1

Remarks
(1)OPTIONAL

Parts No. Index

Parts No.	Fig. No.	Ref. No.
105010-39140	11	1
105025-59580	16	6
106500-44810	8	8
114250-39450	10	32
114250-53080	15	5
114250-53120	15	10
114250-53130	15	11
114250-53140	15	12
114250-53210	15	13
114250-53400	15	14
119131-18320	6	4
119260-34810	10	2
119305-59120	15	26
119593-59580	15	54
119609-32040	2	17
	19	24
119620-77201	18	2
119620-77380	18	4
119620-77421	18	8
119620-77440	18	13
119620-77450	18	14
119620-77461	18	15
	47	
119620-77471	18	16
	48	
119620-77480	18	20
	52	
119620-77490	18	29
	39	
119620-77710	18	17
	49	
119620-79200	18	9
	41	
119620-79210	18	10
	42	
119620-79220	18	11
	43	
119620-79230	18	12
	44	
119620-79240	18	5
	37	
119620-79250	18	6
	38	
119620-79260	18	18
119620-79270	18	19
119620-79280	18	21
	53	
119620-79290	18	22
	54	
119620-79300	18	23

Parts No.	Fig. No.	Ref. No.
119620-79300	18	55
119620-79310	18	24
		56
119620-79320	18	25
		57
119620-79330	18	26
		58
119620-79340	18	27
		59
119620-79350	18	28
		60
119620-79360	18	7
119625-11880	4	35
	19	6
119653-77950	14	131
119660-61901	14	60
119802-01560	2	13
119802-11260	4	6
119802-11270	4	7
119802-11280	4	8
119802-11870	4	34
	19	5
119802-25051	7	10
119802-25070	7	14
119802-25100	7	11
119802-25901	7	17
119802-32070	2	8
119802-32100	2	7
119802-32111	2	18
119802-32120	2	19
119802-32130	2	20
119802-34850	10	3
119802-35110	10	15
119802-49112	12	10
119802-49113	12	10 -1
119802-49730	12	37
119802-51090	13	101 -1
119802-51250	13	120
119802-51560	13	61
119802-51590	13	67
119802-51600	13	68
119802-51680	13	72
119802-51690	13	73
119802-55800	16	2
119802-59550	15	48
119802-59560	15	50
119802-77320	18	1
119802-77330	18	1 -1
119807-61420	14	22
119810-77340	18	33

Parts No.	Fig. No.	Ref. No.
119940-77270	18	61
120130-11860	4	32
120270-54410	4	37
121400-11340	4	30
	19	10
121450-42450	12	31
121550-23200	9	29
121750-59890	16	10
121850-21680	9	11
121850-42410	12	8
121850-51960	2	21
	19	3
123900-13630	6	3
123951-03330	10	26
124060-01050	1	5
124060-77680	15	55
124160-01751	2	14
	4	42
124160-01910	1	7
		8
124160-11360	4	53
124160-21501	9	12
124160-39140	11	2
124240-01871	2	15
124250-49351	12	32
124395-49840	12	17
	19	15
124460-11340	4	31
	19	4
124465-44950	12	33
	19	17
124550-21600	9	16
124552-51570	13	51
124574-44761	12	23
124722-59050	12	38
		41
	15	49
		52
124766-59050	16	5
		8
128401-77440	18	45
128401-77450	18	46
129001-01250	1	6
129001-02930	1	25
129001-12110	5	4
	19	22
129001-32330	2	11
129001-91841	2	22
129001-91870	3	10
129002-01331	1	32

Parts No.	Fig. No.	Ref. No.
129002-01331	19	2
129004-03010	4	44
129004-11100	4	23
129004-11101	4	23 -1
129004-11241	4	3
129004-11251	4	4
129004-11310	4	49
	19	7
129004-11650	4	10
129004-11900	4	36
129004-21001	9	1
129004-21002	9	1 -1
129004-21650	9	9
129004-22080	9	17
129004-22500	9	19
129004-22900	9	35
129004-22950	9	37
129004-42000	12	1
129004-42001	12	1 -1
129004-42040	12	15
129004-49610	12	35
129004-49620	12	39
129004-49711	12	36
129004-49721	12	40
129004-53001	15	2
129004-55610	16	1
129004-55611	16	1 -1
129004-59810	15	35
129004-59820	15	39
129004-59830	15	43
129005-59830	11	6
129006-01520	2	12
129006-03120	4	46
129006-11350	4	43
129006-11700	4	15
129006-12100	5	2
129006-35100	10	14
129006-39450	11	3
129006-49040	10	25
129007-22080	9	17 -1
129007-22500	9	19 -1
129012-13301	8	5
129012-13411	8	6
129044-12050	5	1
129044-18010	8	4
129044-39610	11	5 -1
129044-59010	16	4
129044-61060	14	3
129052-77220	18	34
129052-77380	18	36

Parts No. Index

Parts No.	Fig. No.	Ref. No.
129052-77422	18	40
129052-79260	18	50
129052-79270	18	51
129100-01580	3	1
		3
	9	2
129100-01640	3	4
129100-01730	3	9
129100-11130	4	27
129100-23910	9	32
129100-42051	12	3
129100-42121	12	4
129100-77500	5	9
129100-77510	5	10
	19	28
129103-49301	10	30
129122-44480	10	19
129129-14580	7	3
129129-77240	17	8
129129-77260	17	11
129129-77270	17	13
129129-77340	17	21
129129-77350	17	23
129129-77370	17	27
129131-21591	9	13
129135-01770	3	15
129135-35090	10	7
129139-13100	6	1
129139-39601	11	4
129139-39610	11	4 -1
129150-01200	1	31
129150-01600	3	13
129150-01650	3	5
129150-02020	1	10
129150-02450	7	4
129150-02870	1	33
129150-02930	1	28
129150-02940	1	36
129150-03070	4	45
129150-03090	4	56
129150-11050	4	31 A
129150-11230	4	11
129150-11280	4	9
129150-11370	4	14
129150-11750	4	13
129150-11810	4	33
129150-13110	6	2
	19	9
129150-14101	7	7
129150-14200	7	1

Parts No.	Fig. No.	Ref. No.
129150-14400	7	2
129150-23600	9	30
129150-23610	9	33
129150-25301	7	16
129150-35041	10	6
	19	11
129150-35042	10	6 -1
	19	11 -1
129150-35111	10	17
	19	23
129150-35170	10	18
129150-49360	12	34
	19	34
129150-49811	12	26
	19	14
129150-59120	15	30
129150-59131	15	29
		33
129150-77511	5	11
	19	8
129150-91400	2	28
129155-51280	14	5
129155-61460	14	25
129165-77520	5	12
129202-22300	9	23
129255-61410	14	21
129350-49560	12	27
129400-77012	17	32
129400-77441	17	36
129400-77520	17	43
129400-77531	17	44
129400-77571	17	48
129400-92420	19	36
129403-18091	8	1
	19	29
129403-39610	11	5
129403-42380	12	20
129417-33110	10	13
129417-35150	10	16
129418-18320	8	7
129418-32320	2	10
129429-77011	17	1
129429-77210	17	5
129429-77220	17	6
129429-77230	17	7
129429-77240	17	9
129429-77250	17	10
129429-77260	17	12
129429-77270	17	14
129429-77280	17	15

Parts No.	Fig. No.	Ref. No.
129429-77290	17	16
129429-77300	17	17
129429-77310	17	18
129429-77320	17	19
129429-77330	17	20
129429-77340	17	22
129429-77350	17	24
129429-77360	17	26
129429-77370	17	28
129429-77380	17	29
129429-77390	17	30
129457-49801	12	25
129486-01670	3	7
129486-42021	12	14
	19	12
129486-42140	12	16
	19	21
129486-59510	15	53
129486-59551	15	51
129486-77400	17	33
129486-77460	17	37
		39
129486-77470	17	38
129486-77490	17	40
129508-33010	10	12
129508-33050	10	12 A
129508-49030	10	21
129535-18100	8	2
	19	30
129553-39650	10	39
129602-34800	10	1
129602-34801	10	1 -1
129642-49180	10	26 -1
129792-39410	10	33
129795-01780	3	6
129795-01800	2	6
129795-01900	18	32
129795-01950	2	16
129795-02411	1	13
129795-11120	4	28
129795-11180	4	29
129795-21661	9	10
129795-49551	12	28
	19	13
129900-07900	4	1
129900-32130	2	9
129900-77460	17	41
129900-77640	17	49
129916-49740	12	13 -1
129916-59020	13	118

Parts No.	Fig. No.	Ref. No.
129950-59311	16	7
129961-59110	16	9
129972-77341	18	33 -1
158552-51570	13	51 -1
		52
158552-51580	13	64
158552-51600	13	66
158552-51670	13	117
158552-51780	13	83
158552-52100	13	90
158552-52300	13	91
158552-52310	13	91 -1
158552-52400	13	106 -1
158552-52500	13	90 A
158552-61441	14	23
158552-61900	14	83 -1
158553-51550	13	59
158553-51551	13	59 -1
158553-51630	13	76
158553-51640	13	77
158553-51660	13	80
158553-51670	13	71
158553-51680	13	81
158553-51770	13	110 -1
158553-61050	14	2
158557-51570	13	63
158560-51300	13	48 -1
158563-51281	13	46
		47
158563-51300	13	48
158563-51330	13	49
158563-61060	14	132
158600-51270	13	29
158601-51340	13	50
158601-51550	13	60
158601-51570	13	62
158601-51650	13	78
158601-51770	13	82
158601-51790	13	84
171002-66830	14	61
171008-03990	10	22
171008-77410	17	34
171008-77420	17	35
171008-77510	17	42
171008-77540	17	45
171008-77650	17	50
171008-77660	17	51
171008-77670	17	52
171051-01921	1	9
171056-49120	12	43

Parts No. Index

Parts No.	Fig. No.	Ref. No.
171058-01630	3	16
171058-01640	3	17
171058-01641	3	17 -1
171440-44740	12	22
22190-080002	11	7
		9
	19	16
22190-100002	11	10
	19	25
22190-120000	14	64
22190-120002	13	92
		93
		94
22190-160002	19	26
22190-180002	13	95
		96
22217-140000	13	97
22252-000260	9	24
22312-050140	13	98
22351-030010	9	8
	10	20
22351-050010	13	99
22351-060012	4	38
22512-070140	7	8
22522-040160	13	101
22857-500100	4	50
		51
23000-022000	11	11
23000-041000	5	5
23000-060000	5	6
23080-015000	10	24
		28
23080-018000	10	29
23414-080000	11	17
	12	30
	19	33
23857-030000	11	8
23857-060000	13	102
23876-010000	12	11
23876-020000	12	12
23876-030000	2	4
	12	13
23876-040000	2	5
23887-120002	13	103
	14	66
24311-000070	13	105
24311-000120	4	54
	19	18
24311-000150	19	35
24311-000320	2	23

Parts No.	Fig. No.	Ref. No.
24311-000320	4	55
	19	19
24311-240100	10	4
	19	31
24314-000160	11	12
	19	32
24316-000160	11	12 -1
	19	32 -1
24341-000240	2	30
	19	20
24341-000280	14	83
24341-000360	14	84
24341-000400	4	52
	19	27
24341-000420	13	106
24356-010180	13	107
24356-010200	13	74
		108
24372-000150	13	75
25132-003800	12	21
26014-080252	8	9
26106-060102	13	109
	14	68
		85 -1
26106-060142	14	85
		86
26106-060162	2	31
	11	13
26106-060202	12	24
	14	87
26106-060322	17	59
26106-060352	13	110
26106-060402	17	60
26106-080102	8	10
26106-080122	11	14
		16
	12	42
26106-080142	4	2
	7	9
26106-080162	2	24
		25
	3	19
	4	2 -1
	10	5
	12	18
	13	121
26106-080202	5	7
	10	31
	12	29
	13	122

Parts No.	Fig. No.	Ref. No.
26106-080252	3	11
	4	39
26106-080302	16	3
26106-080352	3	8
	4	40
	10	11
26106-080402	5	13
	7	15
26106-080452	3	12
	18	30 -1
26106-080502	4	41
	18	30
26106-080552	2	26
26106-080602	3	20
	12	19
26106-080802	5	8
26116-120202	17	31 -1
26116-120252	17	31
26206-100202	3	14
26206-100252	3	2
26216-060162	13	111
26306-080002	2	27
	8	3
		11
26306-100002	18	31
26366-060002	11	15
26450-080452	13	115
26756-060002	14	69
26776-140002	13	116
27241-120000	1	14
27241-300000	1	15
27241-400000	4	21
27310-080001	4	25
719802-01500	2	1
729004-53101	15	1
729006-01560	1	1
729044-51310	13	1
729044-51410	13	1 -1
729245-53100	15	1 -1
729246-92620	19	1
729402-23100	9	25
977770-1207F	19	37
X0283060061	17	2
X2114555500	17	56
X2114955020	17	57
X2240410100	17	58
X9490561001	18	3
		35
X9490561370	17	3
X9491200240	17	4

Parts No.	Fig. No.	Ref. No.
-----------	----------	----------