

0CB10-M69301EN

## Directions for the Parts Catalog.

1. The parts stipulated in this Parts Catalog are not necessarily standard equipped parts.
2. Parts may change without prior notice.
3. The following is an example of the Parts Catalog format.

OCF10-G21601 29. FUEL INJECTION PUMP(W/BOOST)

REF.	LEV.	PARTS NO.	DESCRIPTION	Q'TY						I	R
				(A)	(B)	(C)	(D)	(E)	(F)		
1	1	729595-51390	FUEL INJECTION PUMP	1	1	1	1	1			1
1-1	1	729595-51391	FUEL INJECTION PUMP	1	1	1	1	1		N	1
		(A=E00185) (B=E00200)									
3	2	26022-060162	SCREW M 6X 16	9	9	9	9	9			
3-1	2	26022-060162	SCREW M 6X 16	4	4	4	4	4		K	
		(A=E00156) (B=E00156) (C=E00156) (D=E00156) (E=E00156)									
4	2	129470-51040	CAMSHAFT	1	1	1	1	1			
5	2	122710-51050	BEARING, ROLLER	2	2	2	2	2			
6	2	129470-51060	RETAINER	1	1	1	1	1			

Remarks

(1) BOOST COMPEMSATOR TYPE. OPTIONAL PART, TO E00155,(4JH-DT, 4JH-DTZ

### ① Ref. No.

The Ref. No. listed may not be in accordance with the illustration Ref. No.

(Ex.) Illustration No. List Ref No.  
 1 1 (Before change) → 1-1 (After change)

For interchangeable symbols N, R and K, illustrations for new parts may be abbreviated.

### ② Lev. (Level)

Level indication

The numbers below indicate the level of relativity towards the main part.

- 1 ----- Main parts (Assembly parts)
- 2 ----- Sub component included in " 1 ".
- 3 ----- Sub component included in " 2 ".

Note) Parts that are not for sale are partially illustrated but not listed.

### ③ Interchangeability Mark

When a part change takes place, one of the following interchangeability symbols is indicated beside the part.

Symbol	Interchangeability	Contents note
N	Old $\begin{matrix} \leftarrow \text{Yes} \\ \text{No} \rightarrow \end{matrix}$ New	New Part is interchangeable for Old Part but Old Part is not interchangeable for New Part.
Q	Old $\begin{matrix} \leftarrow \text{No} \\ \text{Yes} \rightarrow \end{matrix}$ New	New Part is not interchangeable for Old Part but Old Part is interchangeable for New Part.
R	Old $\begin{matrix} \leftarrow \text{Yes} \\ \text{Yes} \rightarrow \end{matrix}$ New	New/ Old Parts are both interchangeable.
S	Old $\begin{matrix} \leftarrow \text{No} \\ \text{No} \rightarrow \end{matrix}$ New	New/ Old Parts are both not interchangeable.
W		Part newly added.
Z		Part discontinued.
F		Not interchangeable by a single part but interchangeable together with related parts.
K		Changes only for used parts quantities.

### ④ Effective Machine No.

When a part changes, the effective Machine No. will be indicated in the (A)-(F) column.

Product Symbol	Product No.	Product Symbol	Product No.
C	Clutch No. Compressor No.	F	Machine No. (Agricultural Equip.)
D	Drive No.	M	Machine No.
E	Engine No.		

Note 1) A date may follow the symbol. (Ex.) 1996.01

Note 2) "XXXXX" and "ZZZZZ" are for parts that could not be predicted or for engine models that could not be identified.

Note 3) (A=E00185) is the E (Engine Serial Number) for the column (A) model (in this case 4JH-DT) after the parts design change.

### ⑤ Remarks Mark

Figures or alphabets (symbols) are entered in the remarks column.

The comments (remarks) on parts that are indicated at the bottom of the illustration are the same symbols as those stated above.

# Contents

OCB10-M69301

Fig. No. Fig. Name

## ENGINE 3TNE74-ENBV

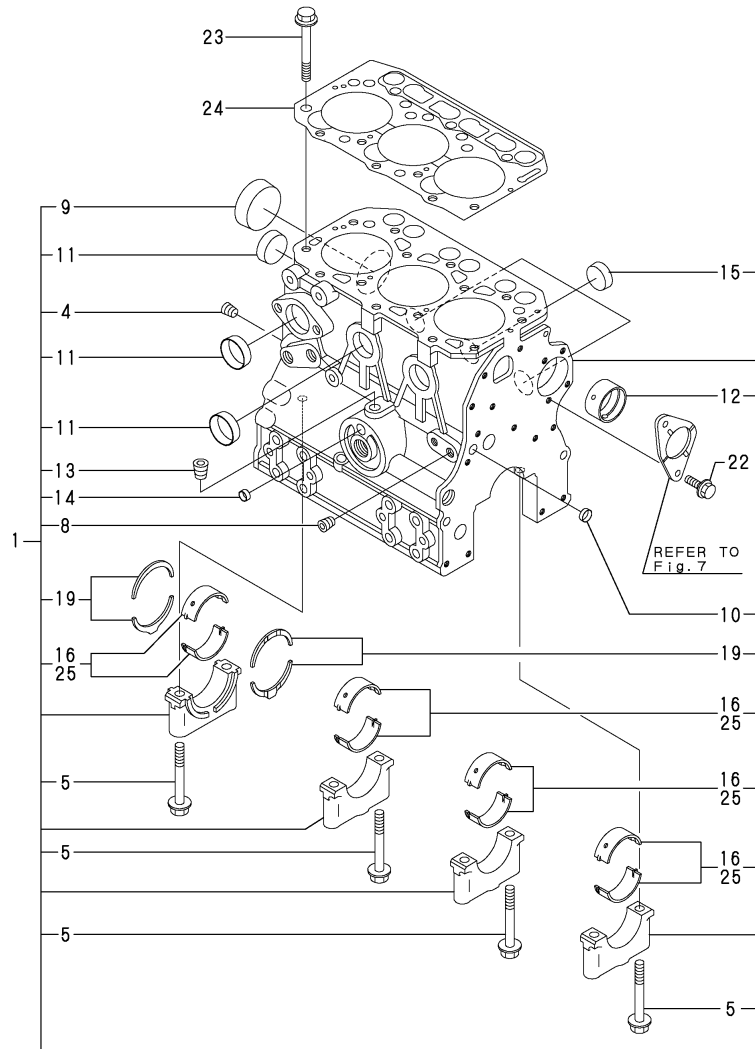
1. CYLINDER BLOCK
2. GEAR HOUSING
3. FLYWHEEL HOUSING & L.O.SUMP
4. CYLINDER HEAD & BONNET
5. SUCTION MANIFOLD
6. EXHAUST MANIFOLD & SILENCER
7. CAMSHAFT & DRIVING GEAR
8. CRANKSHAFT & PISTON
9. LUB.OIL SYSTEM
10. COOLING WATER SYSTEM
11. FUEL INJECTION PUMP
12. GOVERNOR
13. FUEL INJECTION VALVE
14. FUEL LINE
15. STARTING MOTOR
16. GENERATOR
17. GASKET SET & TOOLS

Fig. No. Fig. Name

Fig.1. CYLINDER BLOCK

(A)=3TNE74-ENBV  
(B)=  
(C)=

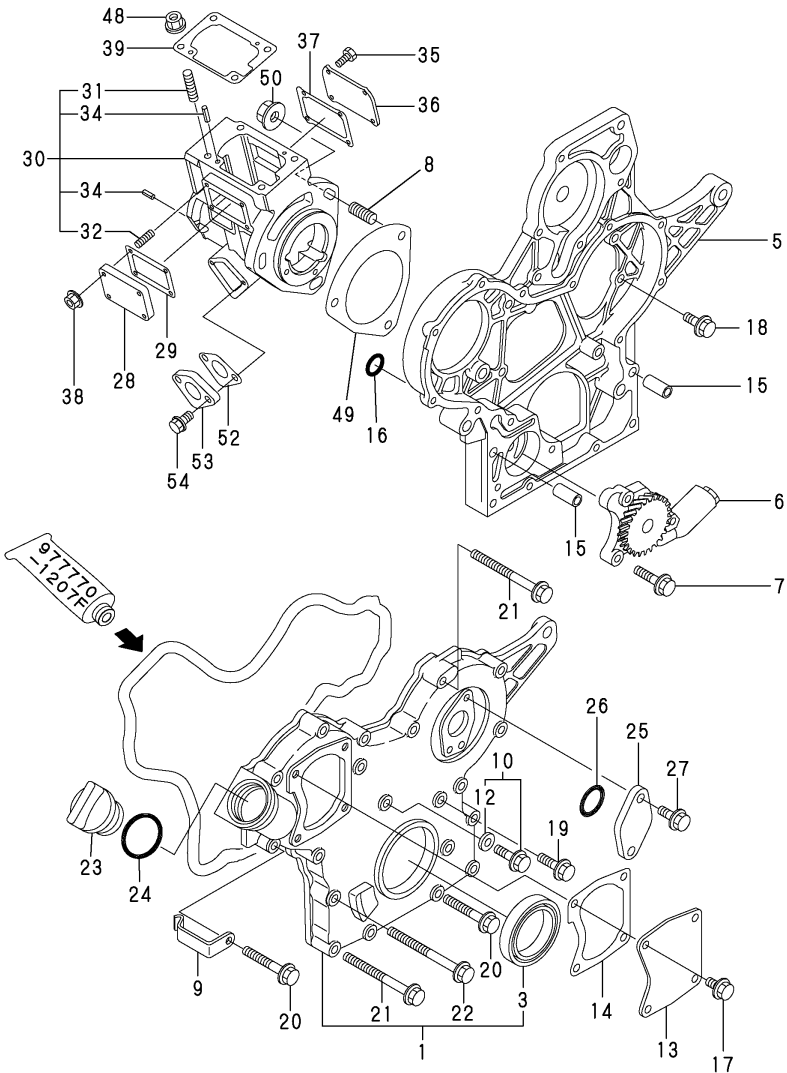
(D)=  
(E)=  
(F)=



No.	Lev.	Parts No.	Description	Q'ty						I	R
				(A)	(B)	(C)	(D)	(E)	(F)		
1	1	719624-01561	BLOCK ASSY, CYLINDER	1							
4	3	119600-01050	PLUG, PT1/4	1							
5	3	119620-02020	BOLT, METAL CAP	8							
8	3	23876-010000	PLUG, R01	1							
9	3	119623-01250	PLUG, 45	1							
10	3	27241-120000	PLUG, 12	1							
11	3	27241-300000	PLUG 30	4							
12	3	119624-02410	BUSH	1							
13	3	119600-01050	PLUG, PT1/4	1							
14	3	27241-120000	PLUG, 12	1							
15	3	27241-250000	PLUG, 25	3							
16	2	119620-02800	BEARING, MAIN	4							
19	2	119620-02930	BEARING, THRUST	2							
22	1	26106-060122	BOLT, M6X 12 PLATED	2							
23	1	119620-01200	BOLT, HEAD	14							
24	1	119636-01330	GASKET, HEAD	1							
25	1	119620-02870	BEARING, 0.25 US	4							1

Remarks  
(1) UNDER SIZED (U.S.=0.25) PART.

Fig.2. GEAR HOUSING

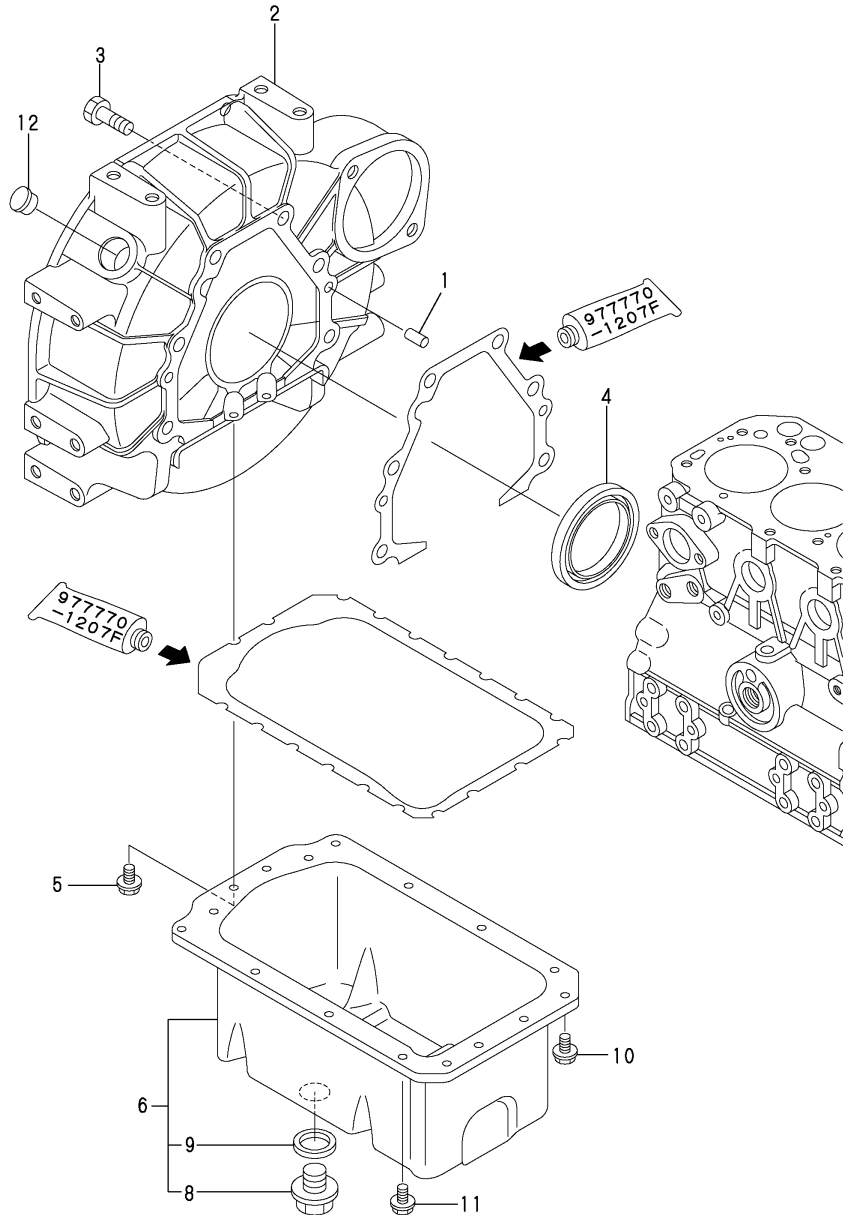


(A)=3TNE74-ENBV  
(B)=  
(C)=

(D)=  
(E)=  
(F)=

No.	Lev.	Parts No.	Description	Q'ty						I	R
				(A)	(B)	(C)	(D)	(E)	(F)		
1	1	719624-01610	COVER ASSY,GEAR CASE	1							
3	2	119620-01800	SEAL, OIL	1							
5	1	119624-01511	CASE, GEAR	1							
6	1	119624-32000	PUMP ASSY, OIL	1							
7	1	26106-060252	BOLT, M6X 25 PLATED	3							
8	1	26216-080202	STUD, M8X 20	3							
9	1	119624-03100	RETAINER, PIPE	1							
10	1	119623-01550	BOLT, M6X20	1							
12	2	22190-060003	SEAL WASER 6	1							
13	1	119636-01740	COVER	1							
14	1	119636-01750	GASKET	1							
15	1	119266-01910	PIPE, KNOCK	2							
16	1	119624-32040	O-RING, P12.0	2							
17	1	26106-060122	BOLT, M6X 12 PLATED	4							
18	1	26106-060162	BOLT, M6X 16 PLATED	5							
19	1	26106-060282	BOLT, M6X 28 PLATED	1							
20	1	26106-060402	BOLT, M6X 40 PLATED	8							
21	1	26106-060652	BOLT, M6X 65 PLATED	6							
22	1	26106-060702	BOLT, M6X 70 PLATED	2							
23	1	124160-01751	COVER, FILLER	1							
24	1	24311-000320	O-RING, 1AP32.0	1							
25	1	121023-01550	COVER	1							
25-1	1	121023-01551	COVER	1							R
(A=E/#N17208)											
26	1	24341-000240	O-RING, 1AS24.0	1							
27	1	26106-060162	BOLT, M6X 16 PLATED	2							
28	1	119660-01551	COVER	1							
29	1	119660-01562	GASKET	1							
30	1	119266-01840	COVER	1							
31	2	121450-01560	STUD, M8X22	4							
32	2	119660-01570	STUD, M6X12	4							
34	2	22351-040010	PIN, SPRING 4.0X10	4							
35	1	26116-050082	BOLT, M5X 8 PLATED	4							
36	1	119266-01880	COVER	1							
37	1	119266-01890	GASKET	1							
38	1	26366-060002	NUT, M6	4							
39	1	119623-01950	SHIM SET, ADJUSTING	1							
48	1	194990-22050	NUT, M8	4							
49	1	119266-01871	GASKET	1							
50	1	26306-080002	NUT, M8	3							
52	1	121520-01851	GASKET	1							
53	1	121520-01860	COVER	1							
54	1	26014-060162	BOLT, M6X 16	2							

Fig.3. FLYWHEEL HOUSING & L.O.SUMP

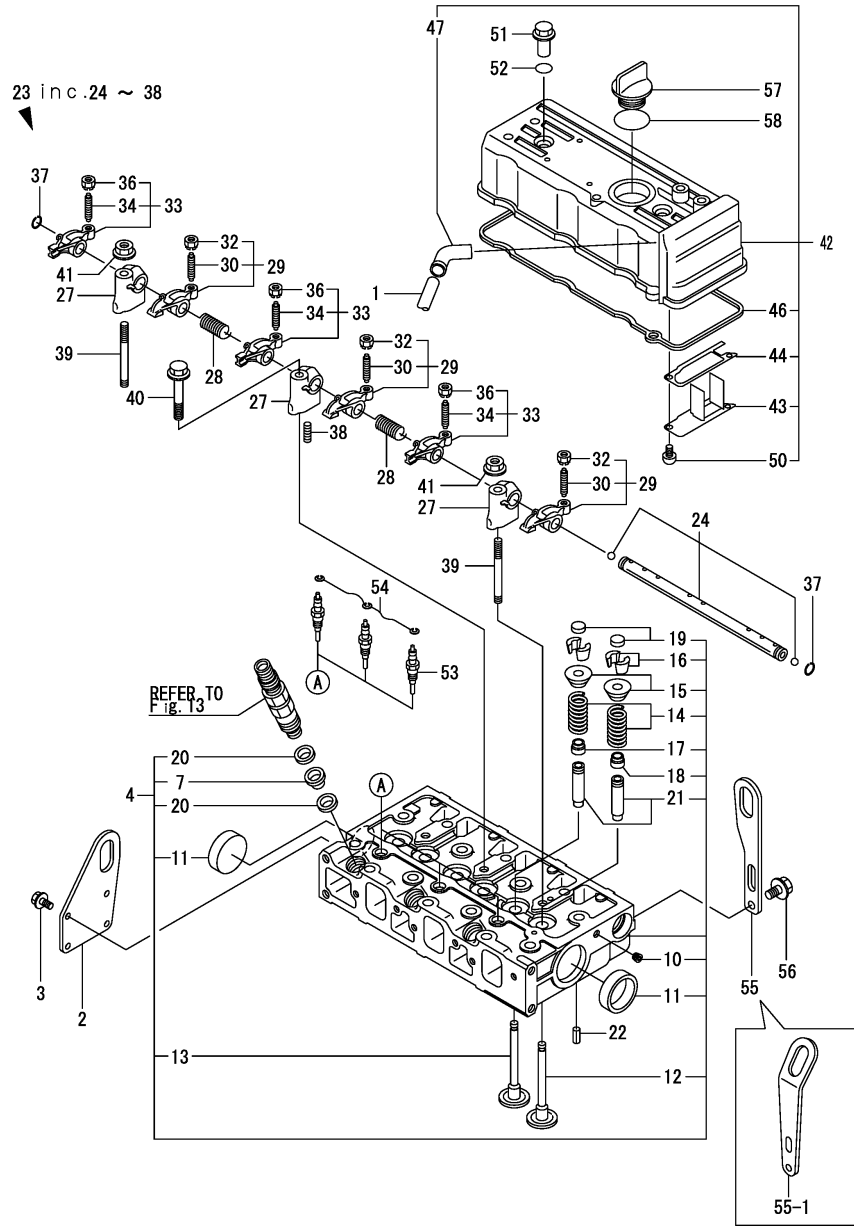


(A)=3TNE74-ENBV  
(B)=  
(C)=

(D)=  
(E)=  
(F)=

No.	Lev.	Parts No.	Description	Q'ty						I	R
				(A)	(B)	(C)	(D)	(E)	(F)		
1	1	129100-01580	PIN, M8X16	2							
2	1	119624-01600	HOUSING, FLYWHEEL	1							
3	1	26206-100252	BOLT, M10X 25 PLATED	6							
4	1	124085-02220	SEAL, OIL	1							
5	1	26106-060102	BOLT, M6X 10 PLATED	2							
6	1	119636-01780	SUMP ASSY, OIL	1							
8	2	119640-01640	PLUG, DRAIN M22	1							
9	2	22190-220002	WASHER, SEAL 22	1							
10	1	26106-060122	BOLT, M6X 12 PLATED	4							
11	1	26106-060102	BOLT, M6X 10 PLATED	10							
12	1	119620-01750	CAP	1							

Fig.4. CYLINDER HEAD & BONNET



(A)=3TNE74-ENBV

(B)=

(C)=

(D)=

(E)=

(F)=

No.	Lev.	Parts No.	Description	Qty						I	R
				(A)	(B)	(C)	(D)	(E)	(F)		
1	1	23065-120650	PIPE, 12X 650	1							
2	1	119624-07900	LIFTER	1							
3	1	26106-060122	BOLT, M6X 12 PLATED	4							
4	1	119624-11741	HEAD ASSY, CYLINDER	1							
7	2	119600-11450	PROTECTOR, NOZZLE	3							
10	2	23876-005000	PLUG, R005	1							
11	2	27241-400000	PLUG, 40	2							
12	2	119623-11100	VALVE, INTAKE	3							
13	2	119620-11110	VALVE, EXHAUST	3							
14	2	119620-11120	SPRING, VALVE	6							
15	2	119620-11180	RETAINER, SPRING	6							
16	2	27310-070001	COTTER, 7	6							
17	2	124160-11340	SEAL, VALVE STEM	3							
18	2	124950-11340	SEAL, VALVE STEM	3							
19	2	104211-11370	CAP, VALVE	6							
20	2	119600-11460	GASKET, NOZZLE	6							
21	2	119620-11801	GUIDE, VALVE	6							1
22	1	22351-060012	PIN, SPRING 6.0X12	2							
23	1	119624-11200	SUPPORT ASSY, ARM	1							
24	2	119620-11240	SHAFT ASSY, ROCKER	1							
27	2	124295-11260	SUPPORT, ROCKER ARM	3							
28	2	119620-11280	SPRING	2							
29	2	124295-11650	ARM, ROCKER	3							
30	3	105010-11230	SCREW, VALVE ADJUST	3							
32	3	26856-060002	NUT, M6	3							
33	2	124295-11660	ARM, ROCKER	3							
34	3	105010-11230	SCREW, VALVE ADJUST	3							
36	3	26856-060002	NUT, M6	3							
37	2	22242-000120	RING, 12	3							
38	2	26979-050162	SCREW, M5X16	1							
39	1	119620-11350	STUD	2							
40	1	26106-080502	BOLT, M8X 50 PLATED	1							
41	1	26306-080002	NUT, M8	2							
42	1	119624-11331	BONNET ASSY, HEAD	1							
43	2	119624-11600	PLATE, BAFFLE	1							
44	2	119624-11610	GASKET	1							
46	2	119624-11311	GASKET, BONNET	1							
47	2	119266-11390	JOINT	1							
50	2	22857-500100	SCREW, 5X10	2							
51	1	124160-11360	KNOB	2							
52	1	24311-000120	O-RING, 1AP12.0	2							
53	1	129155-77801	PLUG, GLOW	3							
54	1	119620-77820	CONNECTOR, GLOW PLUG	1							
55	1	124736-07900	LIFTER	1							
55-1	1	119266-07900	LIFTER	1							N
(A=EXXXXX)											
56	1	26106-080142	BOLT, M8X 14 PLATED	2							
57	1	124160-01751	COVER, FILLER	1							
58	1	24311-000320	O-RING, 1AP32.0	1							

Remarks

(1)REPAIR PART.

N:Old  $\begin{matrix} \leftarrow \text{Yes} \\ \text{No} \end{matrix}$  New, Q:Old  $\begin{matrix} \leftarrow \text{No} \\ \text{Yes} \end{matrix}$  New, R:Old  $\begin{matrix} \leftarrow \text{Yes} \\ \text{Yes} \end{matrix}$  New, S:Old  $\begin{matrix} \leftarrow \text{No} \\ \text{No} \end{matrix}$  New, W:Add, Z:Discontinued, F:Interchangeable by set, K:Qty Change

Fig.5. SUCTION MANIFOLD

(A)=3TNE74-ENBV  
(B)=  
(C)=

(D)=  
(E)=  
(F)=

No.	Lev.	Parts No.	Description	Q'ty						I	R
				(A)	(B)	(C)	(D)	(E)	(F)		
1	1	119660-12101	MANIFOLD, AIR INTAKE	1							
2	1	119660-12111	GASKET, MANIFOLD	1							
3	1	26106-060162	BOLT, M6X 16 PLATED	2							
4	1	26106-060402	BOLT, M6X 40 PLATED	1							

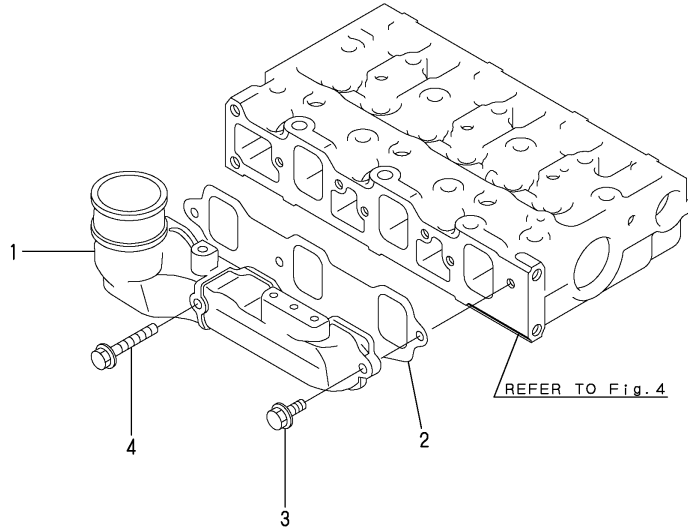
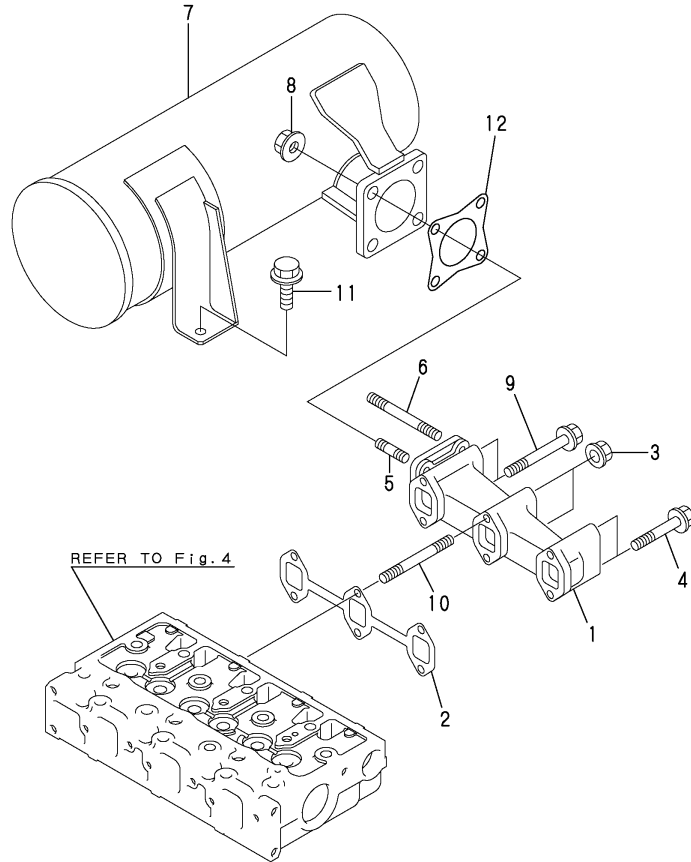




Fig.6. EXHAUST MANIFOLD & SILENCER

(A)=3TNE74-ENBV  
(B)=  
(C)=

(D)=  
(E)=  
(F)=

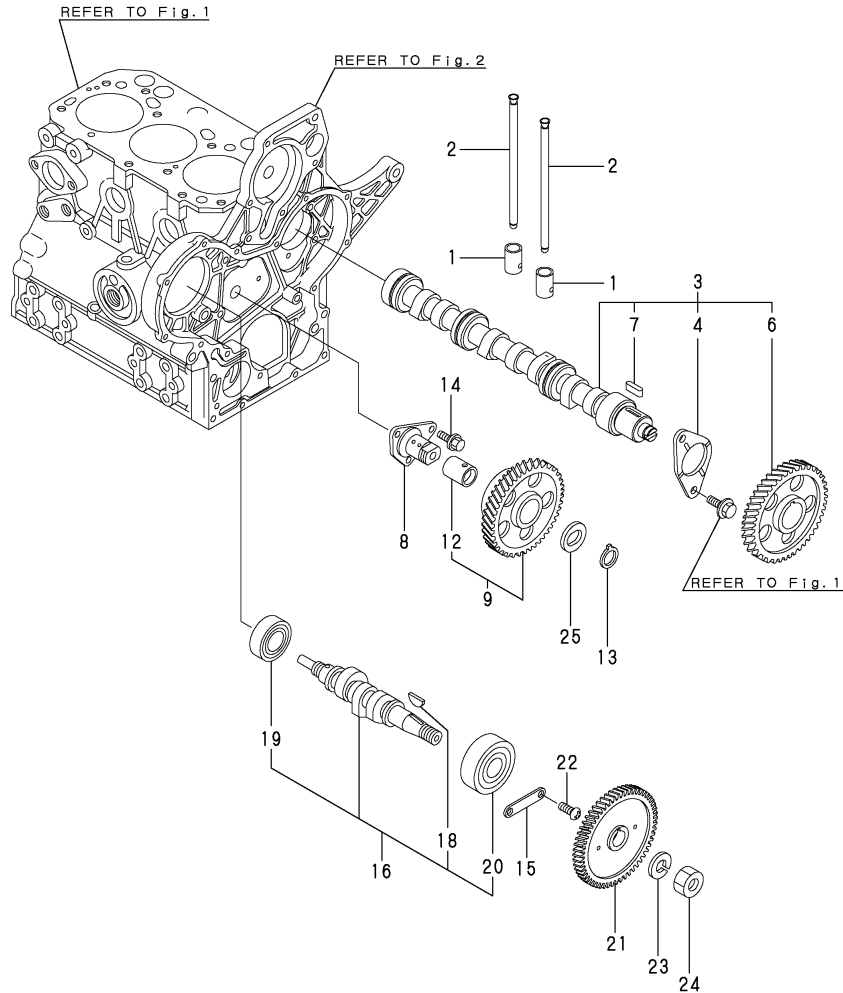


No.	Lev.	Parts No.	Description	Q'ty						I	R
				(A)	(B)	(C)	(D)	(E)	(F)		
1	1	119620-13101	MANIFOLD, EXHAUST	1							
2	1	119620-13110	GASKET	1							
3	1	26306-080002	NUT, M8	2							
4	1	119802-13600	BOLT, M8X40	2							
5	1	119131-18320	STUD, M8X22	2							
6	1	129054-13210	STUD, M8X55	2							
7	1	119624-13510	SILENCER	1							
8	1	26306-080002	NUT, M8	4							
9	1	123900-13620	BOLT, M8X70	2							
10	1	123900-13600	STUD, M8X70	2							
11	1	26106-100182	BOLT, M10X 18 PLATED	2							
12	1	121000-13201	GASKET, SILENCER	1							

Fig.7. CAMSHAFT & DRIVING GEAR

(A)=3TNE74-ENBV  
(B)=  
(C)=

(D)=  
(E)=  
(F)=



No.	Lev.	Parts No.	Description	Q'ty						I	R
				(A)	(B)	(C)	(D)	(E)	(F)		
1	1	119620-14200	TAPPET	6							
2	1	119620-14401	ROD, PUSH	6							
3	1	119629-14580	CAMSHAFT ASSY	1							
4	2	119620-02450	BEARING, THRUST	1							
6	2	119620-14100	GEAR, CAMSHAFT	1							
7	2	22512-040120	KEY, 4X 12	1							
8	1	119266-25050	SHAFT, IDLE GEAR	1							
9	1	119620-25102	GEAR ASSY, IDLE	1							
12	2	119620-25912	BUSH	1							1
13	1	22242-000200	RING, 20	1							
14	1	26106-060122	BOLT, M6X 12 PLATED	3							
15	1	119266-01900	RETAINER, BEARING	1							
16	1	119266-14200	CAM ASSY	1							
18	2	122710-51090	KEY	1							
19	2	24101-060034	BEARING, BALL 6003	1							
20	2	24102-063034	BEARING, BALL 6303U	1							
21	1	119624-25900	GEAR, PUMP	1							
22	1	26557-060102	SCREW, M6X10	2							
23	1	22217-120000	WASHER, SPRING 12	1							
24	1	26716-120002	NUT, M12	1							
25	1	119660-25022	RETAINER	1							

Remarks

(1)REPAIR PART.

N:Old  $\xrightarrow{\text{Yes}}$  New, Q:Old  $\xrightarrow{\text{No}}$  New, R:Old  $\xrightarrow{\text{Yes}}$  New, S:Old  $\xrightarrow{\text{No}}$  New, W:Add, Z:Discontinued, F:Interchangeable by set, K:Q'ty Change

Fig.8. CRANKSHAFT & PISTON

(A)=3TNE74-ENBV

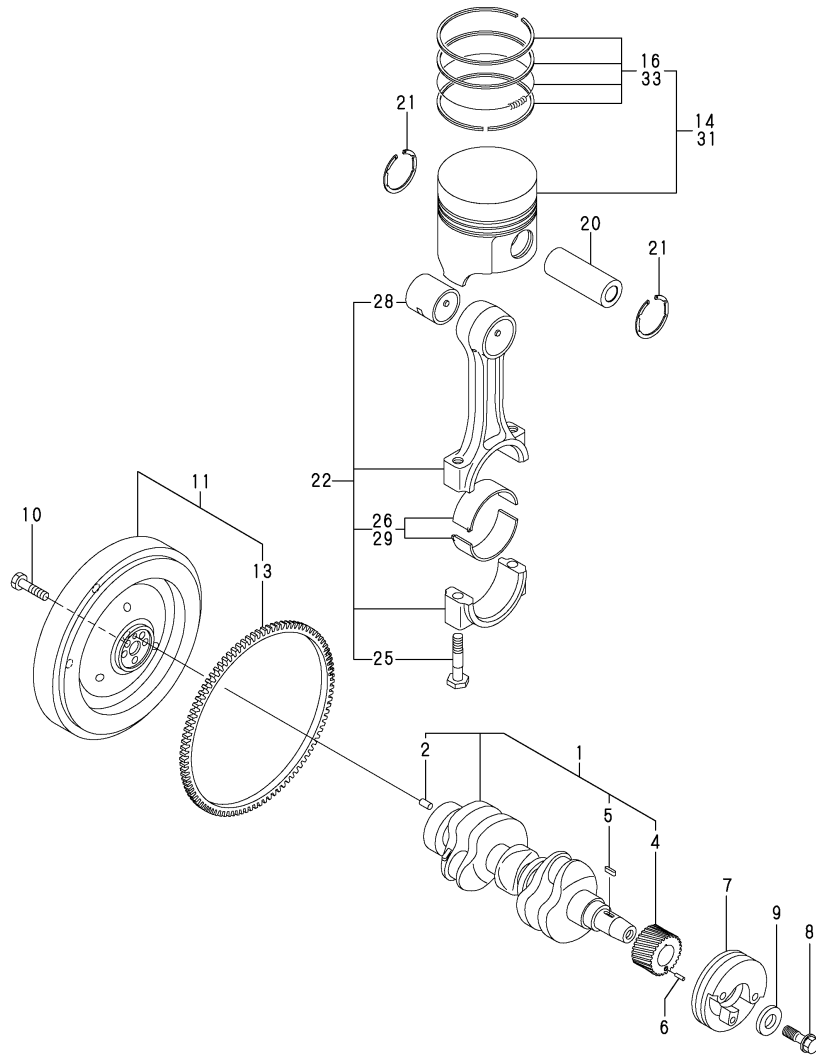
(B)=

(C)=

(D)=

(E)=

(F)=



No.	Lev.	Parts No.	Description	Q'ty						I	R
				(A)	(B)	(C)	(D)	(E)	(F)		
1	1	119624-21700	CRANKSHAFT ASSY	1							
2	2	129100-01580	PIN, M8X16	1							
4	2	119624-21200	GEAR, CRANKSHAFT	1							
5	2	22512-040120	KEY, 4X 12	1							
6	1	22351-030010	PIN, SPRING 3.0X10	1							
7	1	119266-21651	V-PULLEY	1							
8	1	119621-21680	BOLT, FLANGE 12X1.25	1							
9	1	119620-21941	WASHER	1							
10	1	121111-21501	BOLT, FLYWHEEL	5							
11	1	119624-21580	FLYWHEEL ASSY	1							
13	2	119865-21600	GEAR, RING	1							
14	1	119624-22082	PISTON ASSY	3							
16	2	119623-22500	RING SET, PISTON	3							
20	1	114399-22300	PIN, PISTON D=21	3							
21	1	22252-000210	RING, 21	6							
22	1	719620-23100	ROD ASSY, CONNECTING	3							
25	2	105225-23200	BOLT, CONNECTING ROD	6							
26	2	719620-23600	BEARING, CRANK PIN	3							
28	2	119620-23910	BEARING, PISTON PIN	3							1
29	1	719620-23610	BEARING ASSY, 0.25	3							2
31	1	119624-22900	PISTON ASSY, 0.25 OS	3							3
33	2	119623-22950	RING SET, 0.25 OS	3							3

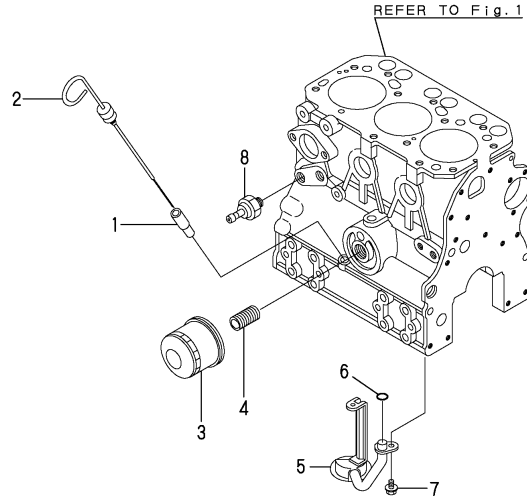
Remarks

- (1)REPAIR PART.
- (2)UNDER SIZED(U.S.=0.25)PART.
- (3)OVER SIZED(O.S.=0.25)PART.

# Fig.9. LUB.OIL SYSTEM

(A)=3TNE74-ENBV  
(B)=  
(C)=

(D)=  
(E)=  
(F)=



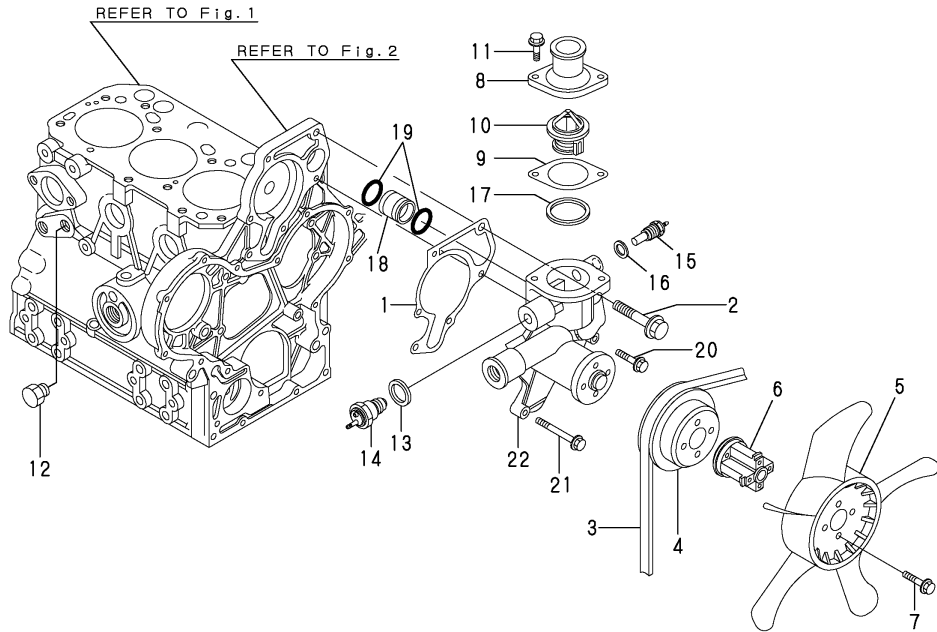
No.	Lev.	Parts No.	Description	Q'ty						I	R
				(A)	(B)	(C)	(D)	(E)	(F)		
1	1	121520-34810	GUIDE, DIPSTICK	1							
2	1	119624-34810	DIPSTICK, OIL	1							
3	1	119305-35170	FILTER ASSY, D68XL65	1							1
4	1	129100-35140	STUD	1							
5	1	119620-35093	PIPE ASSY, OIL INLET	1							
6	1	119209-35030	O-RING, P11	1							
7	1	26106-060102	BOLT, M6X 10 PLATED	2							
8	1	114250-39450	SWITCH, 0.5KG	1							

Remarks  
(1) REPAIR PART.

Fig.10. COOLING WATER SYSTEM

(A)=3TNE74-ENBV  
(B)=  
(C)=

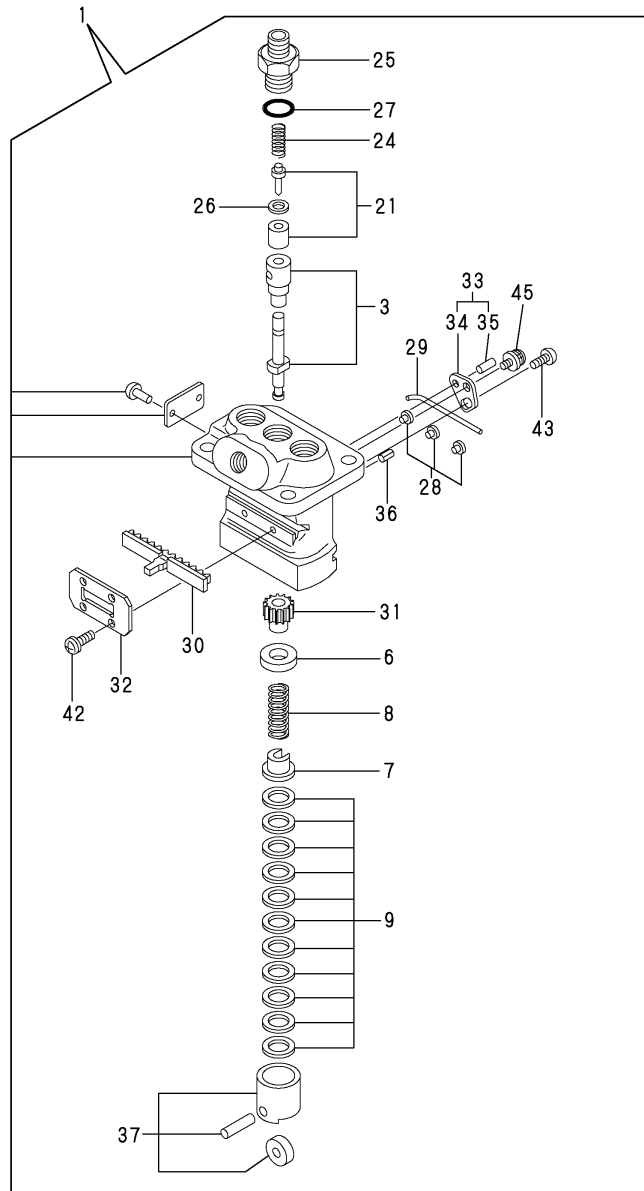
(D)=  
(E)=  
(F)=



No.	Lev.	Parts No.	Description	Q'ty						I	R
				(A)	(B)	(C)	(D)	(E)	(F)		
1	1	119624-42021	GASKET, WATER PUMP	1							
2	1	26106-080452	BOLT, M8X 45 PLATED	1							
3	1	119640-42290	V-BELT, FM36.5	1							
4	1	119642-42350	V-PULLEY, D=97	1							
5	1	119233-44740	FAN, D=290XUH	1							
6	1	129450-44761	SPACER, FAN	1							
7	1	26106-060302	BOLT, M6X 30 PLATED	4							
8	1	129350-49530	COVER, THERMOSTAT	1							
9	1	129795-49551	GASKET	1							
10	1	129155-49801	THERMOSTAT, 71	1							
11	1	26106-080222	BOLT, M8X 22 PLATED	2							
12	1	171056-49120	PLUG, DRAIN	1							
13	1	124465-44950	GASKET, 16	1							
14	1	121250-44901	SWITCH, 110	1							
15	1	171056-49351	SENSOR	1							
16	1	129150-49360	GASKET	1							
17	1	129150-49811	GASKET, THERMOSTAT	1							
18	1	119266-42052	JOINT	1							
19	1	119266-42140	O-RING, P22	2							
20	1	26106-060302	BOLT, M6X 30 PLATED	3							
21	1	26106-060552	BOLT, M6X 55 PLATED	2							
22	1	119624-42000	PUMP ASSY, WATER	1							
22-1	1	119624-42001	PUMP ASSY, WATER	1							N

(A=E/#15982)

Fig.11. FUEL INJECTION PUMP



(A)=3TNE74-ENBV  
(B)=  
(C)=

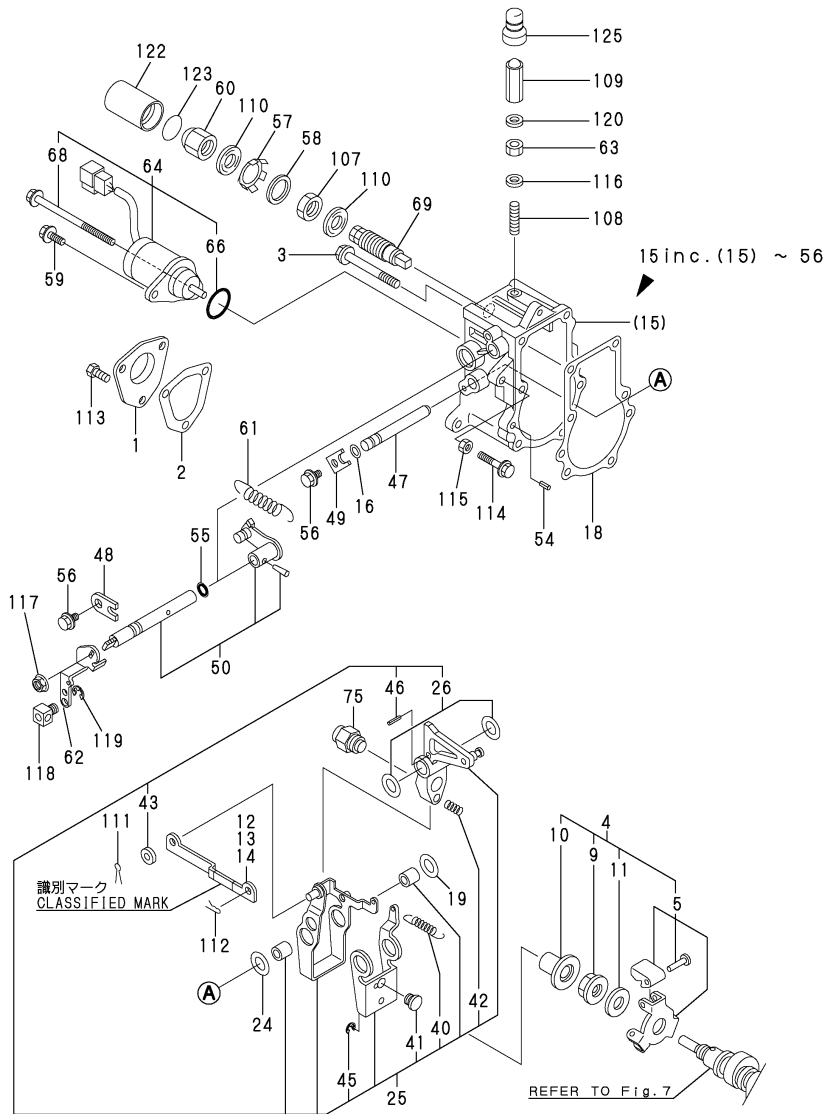
(D)=  
(E)=  
(F)=

No.	Lev.	Parts No.	Description	Q'ty						I	R
				(A)	(B)	(C)	(D)	(E)	(F)		
1	1	719624-51100	PUMP ASSY, INJECTION	1							
3	2	119620-51101	PLUNGER ASSY	3							
6	2	119620-51170	RETAINER, SPRING A	3							
7	2	119620-51180	RETAINER, SPRING B	3							
8	2	119620-51190	SPRING, PLUNGER	3							
9	2	119620-51250	SHIM SET	3							
21	2	119620-51300	VALVE ASSY, DELIVERY	3							
24	2	105546-51330	SPRING, DELIVERY	3							
25	2	119620-51340	HOLDER, DELIVERY	3							
26	2	119620-51350	GASKET	3							
27	2	119620-51370	O-RING	3							
28	2	119620-51450	PIECE	3							
29	2	119620-51461	PIN	1							
30	2	119660-51500	RACK, CONTROL	1							
31	2	119620-51510	PINION	3							
32	2	119660-51530	RETAINER, RACK	1							
33	2	119620-51640	PLATE ASSY, ADJUST	2							
34	3	119620-51650	PLATE	2							
35	3	119620-51670	PIN	2							
36	2	119620-51680	PIN	1							
37	2	119620-51700	TAPPET ASSY	3							
42	2	26022-040082	SCREW, M4X 8	4							
43	2	26033-040102	SCREW, M4X10	2							
45	2	119620-51660	SCREW	2							

Fig.12. GOVERNOR

(A)=3TNE74-ENBV  
(B)=  
(C)=

(D)=  
(E)=  
(F)=



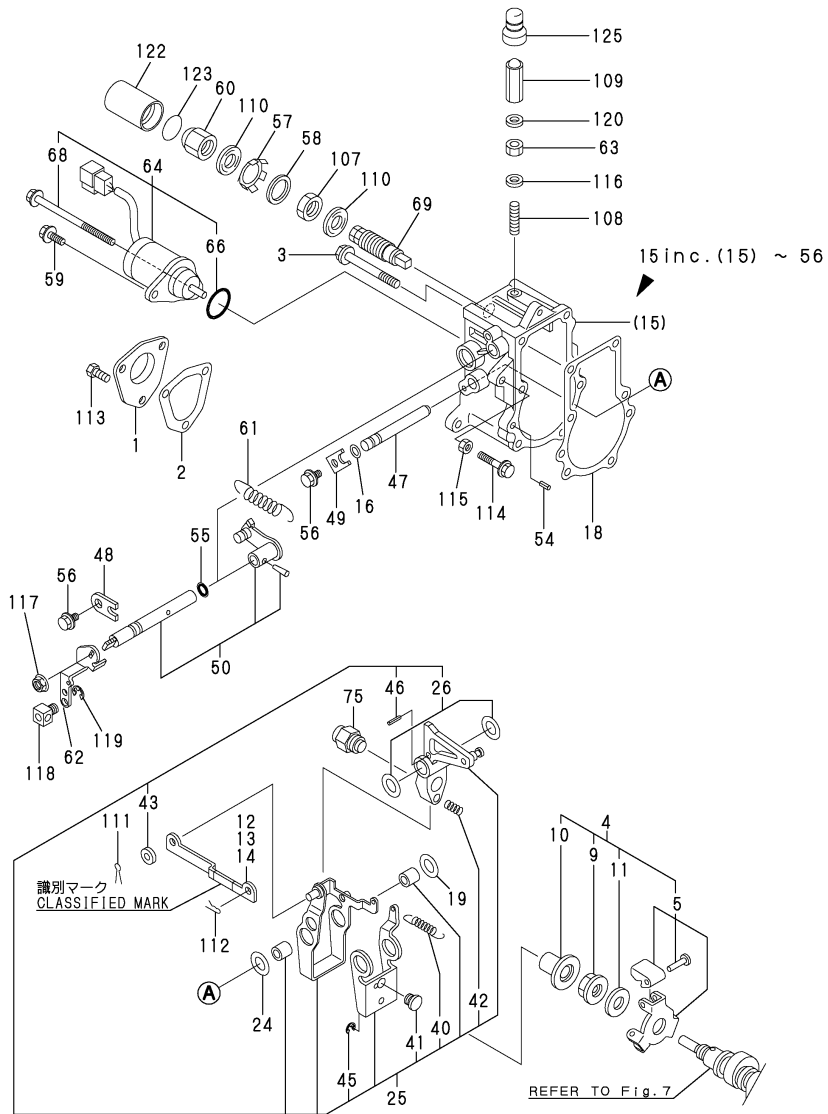
No.	Lev.	Parts No.	Description	Q'ty						I	R
				(A)	(B)	(C)	(D)	(E)	(F)		
1	1	119660-61060	COVER, GOVERNOR CASE	1							
2	1	119660-61071	GASKET	1							
3	1	26106-060702	BOLT, M6X 70 PLATED	5							
4	1	119266-61300	DRIVE ASSY	1							
5	2	119600-61400	WEIGHT ASSY,GOVERNOR	1							
9	2	119660-61300	NUT	1							
10	2	119660-61341	SLEEVE	1							
11	2	119266-61230	SPACER	1							
12	1	119660-61122	LINK, NO MARK	1							1
13	1	119660-61141	LINK, MARK A	1							1
14	1	119660-61151	LINK, MARK :B	1							1
15	1	119632-61200	CASE ASSY, GOVERNOR	1							
16	2	129155-51280	O-RING, S6	1							
18	2	119660-61053	GASKET	1							
18-1	2	119660-61054	GASKET	1							S
(A=E/#N16729)											
19	2	119632-61500	SHIM SET	1							
24	2	129156-61500	SHIM, T=0.5	1							
25	2	119232-61510	LEVER ASSY, GOVERNOR	1							
26	3	174307-51700	SHIM SET	2							
40	3	119232-61540	SPRING	1							
41	3	119600-61541	SHIFTER	1							
42	3	119660-61651	SPRING, STARTING	1							
43	3	22117-040000	WASHER, 4	1							
45	3	22272-000040	RING, E- 4	1							
46	3	22351-030014	PIN, SPRING 3.0X14	1							
47	2	119660-61590	SHAFT	1							
48	2	119600-61900	RETAINER, SHAFT	1							
49	2	119660-61901	RETAINER, SHAFT	1							
50	2	119285-66080	SHAFT ASSY	1							
54	2	22351-040010	PIN, SPRING 4.0X10	2							
55	2	24341-000070	O-RING, 1AS7.0	1							
56	2	26106-060102	BOLT, M6X 10 PLATED	2							
57	1	129209-61970	PLATE	1							
58	1	23414-120016	GASKET, 12X1.0	1							
59	1	121465-59950	BOLT, M6X16	1							
60	1	26687-120002	NUT, CAP M12	1							
61	1	119600-66020	SPRING, REGULATOR	1							
62	1	119640-66051	HANDLE, REGULATOR	1							
63	1	26857-060002	NUT, M6	1							
64	1	119233-66511	STOPPER ASSY	1							
66	2	24341-000280	O-RING, 1AS28.0	1							
68	2	119620-01530	BOLT	1							
69	1	119629-66510	LIMITER ASSY, FUEL	1							
75	1	119610-66700	ANGLEICH ASSY	1							
107	1	26736-120002	NUT, M12	1							
108	1	121575-66830	SCREW	1							
109	1	119285-66600	NUT, CAP M6	1							
110	1	22190-120002	WASHER, SEAL 12	2							
111	1	22360-040000	PIN, SNAP 4	1							
112	1	22360-060000	PIN, SNAP 6	1							

Remarks  
(1)SELECTION USE PARTS:CERTAIN THE CLASSIFICATION MARK,THEN PLACE YOUR ORDER.(REFER TO ILLUSTRATION)  
(2)REPAIR PART.

Fig.12. GOVERNOR

(A)=3TNE74-ENBV  
(B)=  
(C)=

(D)=  
(E)=  
(F)=



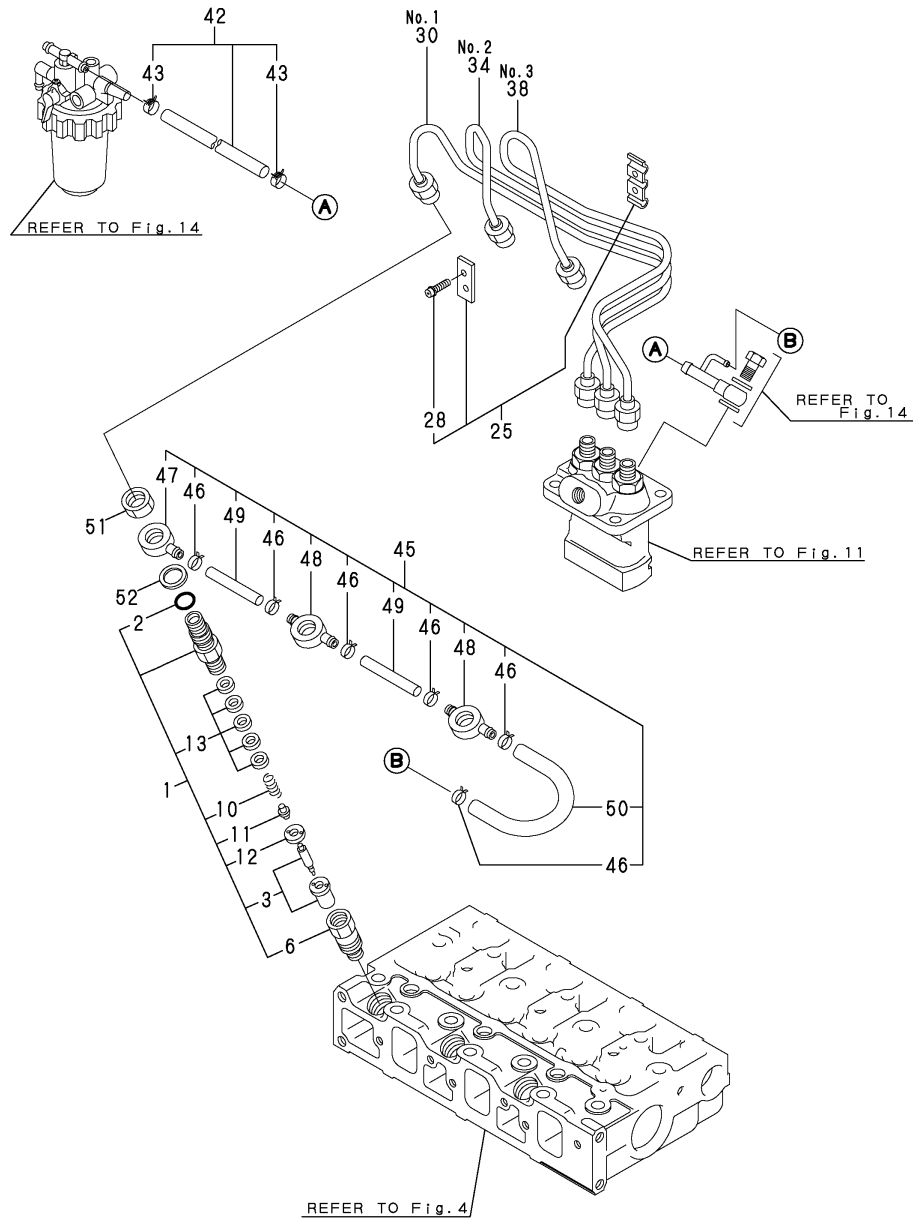
No.	Lev.	Parts No.	Description	Q'ty						I	R
				(A)	(B)	(C)	(D)	(E)	(F)		
113	1	26116-050102	BOLT, M5X 10 PLATED	3							
113-1	1	26106-050102	BOLT, M5X 10 PLATED	3							N
(A=E/#N15982)											
114	1	119266-61460	BOLT	1							
115	1	26756-060002	NUT, LOCK M6	1							
116	1	22190-060003	SEAL WASER 6	1							
117	1	26366-080002	NUT, M8	1							
118	1	124066-03770	RETAINER	1							
119	1	22272-000050	RING, E- 5	1							
120	1	119285-66620	GASKET	1							
122	1	129209-61960	CASE	1							W 2
(A=FROM 1ST)											
123	1	24311-000150	O-RING, 1AP15.0	1							
125	1	119285-66650	CAP, HIGH-IDLE	1							2

Remarks

- (1)SELECTION USE PARTS:CERTAIN THE CLASSIFICATION MARK,THEN PLACE YOUR ORDER.(REFER TO ILLUSTRATION)
- (2)REPAIR PART.



Fig.13. FUEL INJECTION VALVE



(A)=3TNE74-ENBV  
(B)=  
(C)=

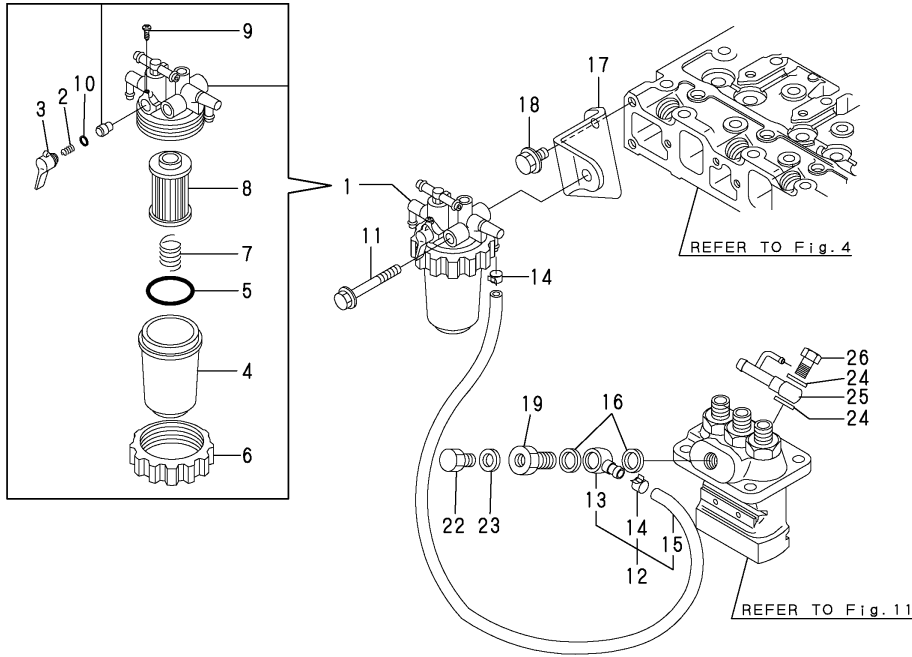
(D)=  
(E)=  
(F)=

No.	Lev.	Parts No.	Description	Q'ty						I	R
				(A)	(B)	(C)	(D)	(E)	(F)		
1	1	719255-53100	VALVE ASSY,INJECTION	3							
2	2	129155-61830	O-RING, S10	3							
3	2	119620-53000	VALVE ASSY,INJECTION	3							
6	2	119620-53080	NUT, NOZZLE	3							
10	2	119620-53120	SPRING, NOZZLE	3							
11	2	114250-53130	SEAT, SPRING	3							
12	2	119620-53140	SPACER, VALVE STOP	3							
13	2	114250-53400	SHIM SET	3							
25	1	129150-59120	RETAINER, PIPE	1							
28	2	129150-59131	BOLT, M4X14	2							
30	1	119624-59811	PIPE ASSY, INJECTION	1							
34	1	119624-59821	PIPE ASSY, INJECTION	1							
38	1	119624-59831	PIPE ASSY, INJECTION	1							
42	1	721250-59080	PIPE ASSY, FUEL	1							
43	2	124766-59050	CLIP, HOSE 12	2							
45	1	119266-59540	PIPE ASSY, FUEL	1							
46	2	124066-59100	CLIP, HOSE 8	6							
47	2	119260-59520	JOINT	1							
48	2	119260-59530	JOINT	2							
49	2	105025-59550	PIPE, FUEL RETURN	2							
50	2	119000-59560	PIPE, FUEL RETURN	1							
51	1	119620-59700	NUT, NOZZLE	3							
52	1	22190-140002	WASHER, SEAL 14	3							

Fig.14. FUEL LINE

(A)=3TNE74-ENBV  
(B)=  
(C)=

(D)=  
(E)=  
(F)=

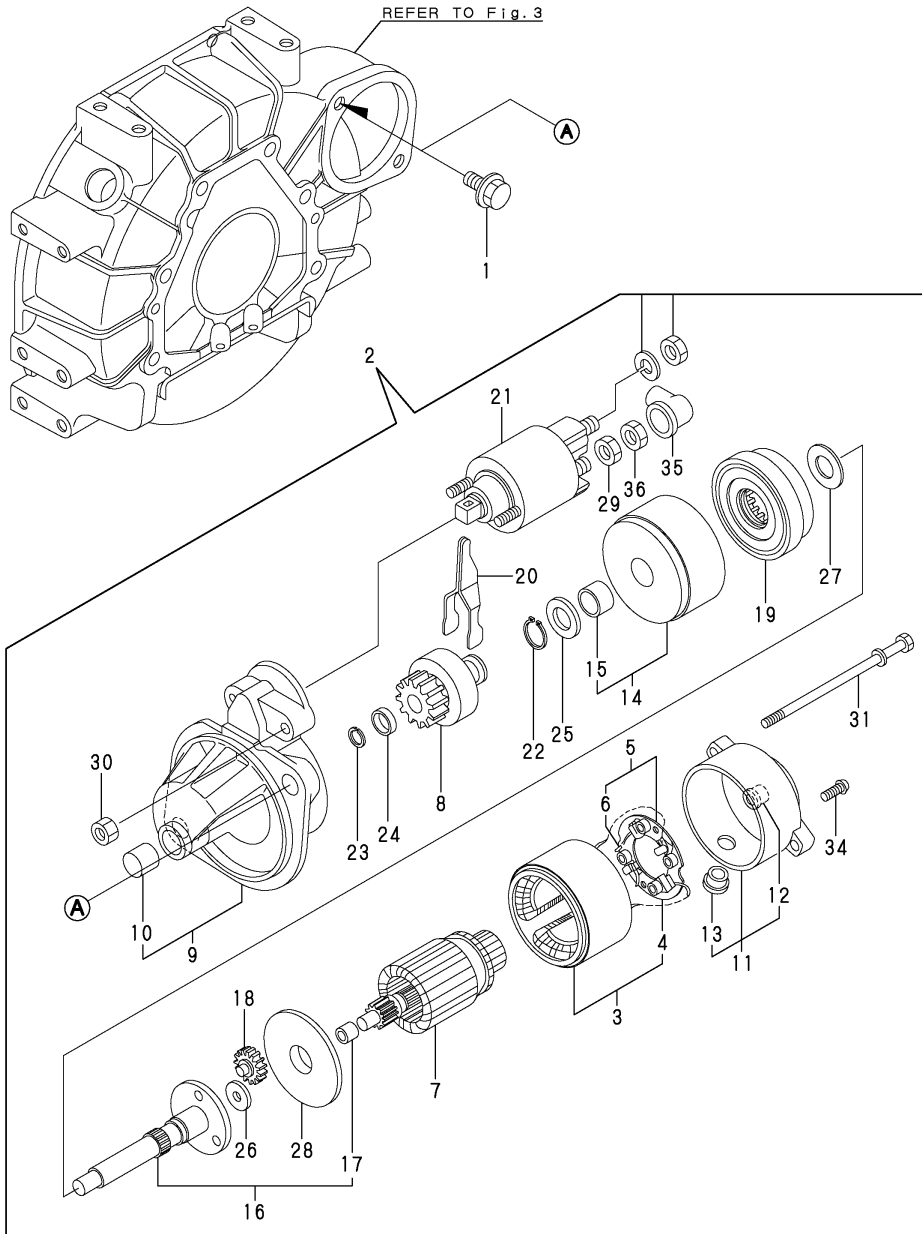


No.	Lev.	Parts No.	Description	Q'ty						I	R
				(A)	(B)	(C)	(D)	(E)	(F)		
1	1	119255-55620	FILTER ASSY, FUEL	1							
2	2	104200-55330	SPRING, VALVE	1							
3	2	119810-55340	LEVER	1							
4	2	121254-55510	COVER	1							
5	2	102103-55520	O-RING	1							
6	2	110250-55610	RING, RETAINING	1							
7	2	121250-55620	SPRING	1							
8	2	124550-55700	FILTER, FUEL L=90	1							
9	2	104200-55750	SCREW, M4	1							
10	2	24311-240100	O-RING, 1AP10A	1							
11	1	26014-080702	BOLT, M8X 70	1							
12	1	119325-59030	PIPE ASSY, FUEL	1							
13	2	101304-59020	JOINT, PIPE 12	1							
14	2	124766-59050	CLIP, HOSE 12	2							
15	2	119325-59080	PIPE, FUEL	1							
16	1	22190-120002	WASHER, SEAL 12	2							
17	1	119653-55910	BRACKET, FILTER	1							
18	1	26106-080182	BOLT, M8X 18 PLATED	2							
19	1	119462-59190	BOLT ASSY, JOINT	1							
22	1	123482-01900	PLUG, M8-1.25	1							
23	1	22190-080002	WASHER, SEAL 6	1							
24	1	22190-080002	WASHER, SEAL 6	2							
25	1	119266-59570	JOINT, OVER FLOW	1							
26	1	119266-59580	BOLT, PIPE JOINT M8	1							

Fig.15. STARTING MOTOR

(A)=3TNE74-ENBV  
(B)=  
(C)=

(D)=  
(E)=  
(F)=

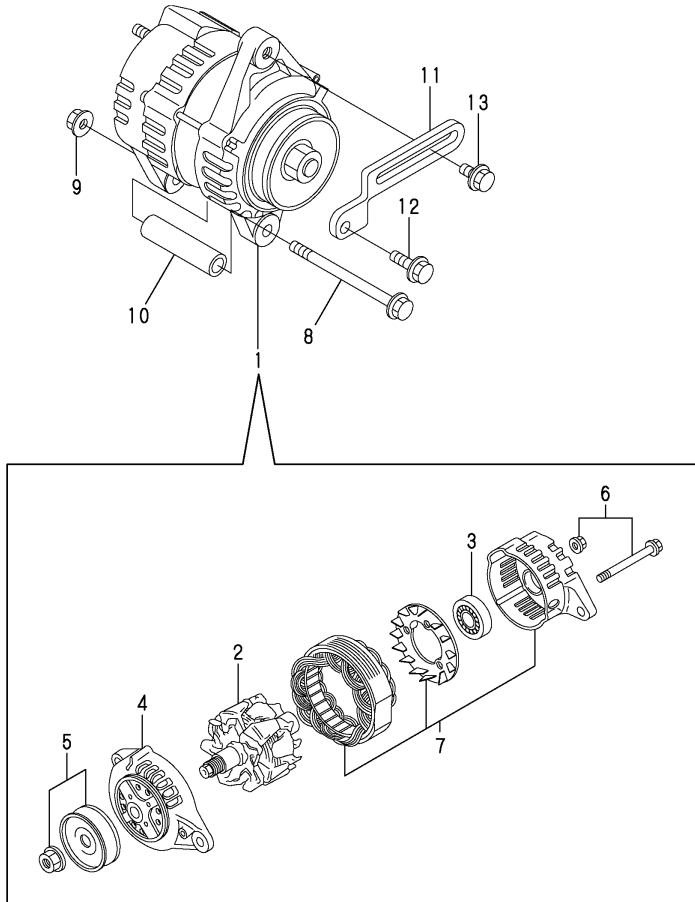


No.	Lev.	Parts No.	Description	Q'ty						I	R
				(A)	(B)	(C)	(D)	(E)	(F)		
1	1	26116-120252	BOLT, M12X 25 PLATED	2							
2	1	119255-77010	STARTER	1							
3	2	X0281007680	YOKE ASSY	1							
4	3	X0280996180	STARTER KIT	2							
5	2	X0285105190	HOLDER ASSY	1							
6	3	X0285205030	SPRING	4							
7	2	X0282005871	ARMATURE ASSY	1							
8	2	X0283006960	CLUTCH ASSY	1							
9	2	X2284005750	HOUSING ASSY	1							
10	3	X9491050100	BEARING, NEEDLE	1							
11	2	X0285005770	FRAME ASSY	1							
12	3	X9491040990	BEARING	1							
13	3	X0280626010	COVER	1							
14	2	X0284105040	BEARING ASSY	1							
15	3	X9491034330	BEARING	1							
16	2	X0286105010	SHAFT ASSY	1							
17	3	X9491034320	BEARING	1							
18	2	X0286305010	GEAR	3							
19	2	X0286355010	GEAR	1							
20	2	X0287405140	LEVER	1							
21	2	X0534007800	SWITCH ASSY	1							
22	2	X9055715000	RING	1							
23	2	X9490721360	RING	1							
24	2	X0280210331	NUT	1							
25	2	X9490138110	WASHER	1							
26	2	X9490138090	WASHER	1							
27	2	X9490138100	WASHER	1							
28	2	X0284525010	PLATE	1							
29	2	X9490562360	NUT	1							
30	2	X9490560750	NUT	2							
31	2	X9490423520	BOLT, THROUGH	2							
34	2	X9490065670	SCREW, M4X6	2							
35	2	X0280335360	COVER, TERMINAL	1							
36	2	X1289510130	NUT	1							

Fig.16. GENERATOR

(A)=3TNE74-ENBV  
(B)=  
(C)=

(D)=  
(E)=  
(F)=

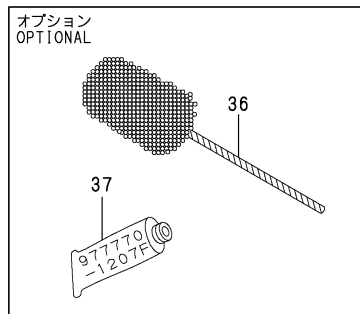
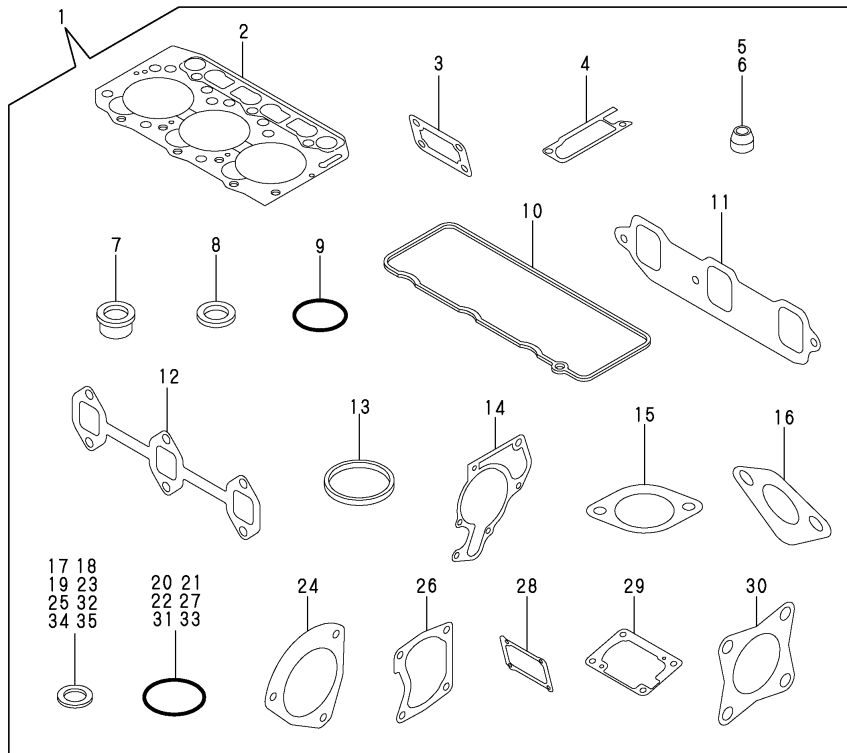


No.	Lev.	Parts No.	Description	Q'ty						I	R
				(A)	(B)	(C)	(D)	(E)	(F)		
1	1	119624-77201	GENERATOR	1							
2	2	129612-77700	ROTOR ASSY	1							
3	2	129612-77710	BEARING, BALL	1							
4	2	129612-77730	BRACKET ASSY, FILTER	1							
5	2	119624-77720	PULLEY	1							
6	2	129612-77750	SCREW KIT	1							
7	2	129612-77760	BRACKET ASSY, REAR	1							
8	1	129136-77251	BOLT, M8X110	1							
9	1	129612-77260	NUT, ALTERNATOR	1							
10	1	129150-77340	SPACER	1							
11	1	119624-77380	ADJUSTER	1							
12	1	26014-080252	BOLT, M8X 25	1							
13	1	26106-080162	BOLT, M8X 16 PLATED	1							

Fig.17. GASKET SET & TOOLS

(A)=3TNE74-ENBV  
(B)=  
(C)=

(D)=  
(E)=  
(F)=



No.	Lev.	Parts No.	Description	Q'ty						I	R
				(A)	(B)	(C)	(D)	(E)	(F)		
1	1	719624-92620	GASKET SET	1							1
2	2	119636-01330	GASKET, HEAD	1							
3	2	119660-01562	GASKET	1							
4	2	119624-11610	GASKET	1							
5	2	124950-11340	SEAL, VALVE STEM	3							
6	2	124160-11340	SEAL, VALVE STEM	3							
7	2	119600-11450	PROTECTOR, NOZZLE	3							
8	2	119600-11460	GASKET, NOZZLE	6							
9	2	24311-000320	O-RING, 1AP32.0	2							
10	2	119624-11311	GASKET, BONNET	1							
11	2	119660-12111	GASKET, MANIFOLD	1							
12	2	119620-13110	GASKET	1							
13	2	129150-49811	GASKET, THERMOSTAT	1							
14	2	119624-42021	GASKET, WATER PUMP	1							
15	2	129795-49551	GASKET	1							
16	2	121520-01851	GASKET	1							
17	2	124465-44950	GASKET, 16	1							
18	2	22190-120002	WASHER, SEAL 12	2							
19	2	22190-140002	WASHER, SEAL 14	3							
20	2	24311-000120	O-RING, 1AP12.0	2							
21	2	129155-61830	O-RING, S10	3							
22	2	24341-000240	O-RING, 1AS24.0	1							
23	2	22190-220002	WASHER, SEAL 22	1							
24	2	119266-01870	GASKET	1							
25	2	22190-060003	SEAL WASER 6	1							
26	2	119636-01750	GASKET	1							
27	2	119624-32040	O-RING, P12.0	2							
28	2	119266-01890	GASKET	1							
29	2	119623-01950	SHIM SET, ADJUSTING	1							
30	2	121000-13201	GASKET, SILENCER	1							
31	2	119209-35030	O-RING, P11	1							
32	2	129150-49360	GASKET	1							
33	2	119266-42140	O-RING, P22	2							
34	2	22190-080002	WASHER, SEAL 6	1							
35	2	22190-080002	WASHER, SEAL 6	2							
36	1	129400-92410	HONE	1							1
37	1	977770-1207F	GASKET.LIQUID	1							1

Remarks  
(1)OPTIONAL

## Parts No. Index

Parts No.	Fig. No.	Ref. No.
101304-59020	14	13
102103-55520	14	5
104200-55330	14	2
104200-55750	14	9
104211-11370	4	19
105010-11230	4	30
		34
105025-59550	13	49
105225-23200	8	25
105546-51330	11	24
110250-55610	14	6
114250-39450	9	8
114250-53130	13	11
114250-53400	13	13
114399-22300	8	20
119000-59560	13	50
119131-18320	6	5
119209-35030	9	6
	17	31
119232-61510	12	25
119232-61540	12	40
119233-44740	10	5
119233-66511	12	64
119255-55620	14	1
119255-77010	15	2
119260-59520	13	47
119260-59530	13	48
119266-01840	2	30
119266-01870	17	24
119266-01871	2	49
119266-01880	2	36
119266-01890	2	37
	17	28
119266-01900	7	15
119266-01910	2	15
119266-07900	4	55 -1
119266-11390	4	47
119266-14200	7	16
119266-21651	8	7
119266-25050	7	8
119266-42052	10	18
119266-42140	10	19
	17	33
119266-59540	13	45
119266-59570	14	25
119266-59580	14	26
119266-61230	12	11
119266-61300	12	4
119266-61460	12	114
119285-66080	12	50

Parts No.	Fig. No.	Ref. No.
119285-66600	12	109
119285-66620	12	120
119285-66650	12	125
119305-35170	9	3
119325-59030	14	12
119325-59080	14	15
119462-59190	14	19
119600-01050	1	4
		13
119600-11450	4	7
	17	7
119600-11460	4	20
	17	8
119600-61400	12	5
119600-61541	12	41
119600-61900	12	48
119600-66020	12	61
119610-66700	12	75
119620-01200	1	23
119620-01530	12	68
119620-01750	3	12
119620-01800	2	3
119620-02020	1	5
119620-02450	7	4
119620-02800	1	16
119620-02870	1	25
119620-02930	1	19
119620-11110	4	13
119620-11120	4	14
119620-11180	4	15
119620-11240	4	24
119620-11280	4	28
119620-11350	4	39
119620-11801	4	21
119620-13101	6	1
119620-13110	6	2
	17	12
119620-14100	7	6
119620-14200	7	1
119620-14401	7	2
119620-21941	8	9
119620-23910	8	28
119620-25102	7	9
119620-25912	7	12
119620-35093	9	5
119620-51101	11	3
119620-51170	11	6
119620-51180	11	7
119620-51190	11	8
119620-51250	11	9

Parts No.	Fig. No.	Ref. No.
119620-51300	11	21
119620-51340	11	25
119620-51350	11	26
119620-51370	11	27
119620-51450	11	28
119620-51461	11	29
119620-51510	11	31
119620-51640	11	33
119620-51650	11	34
119620-51660	11	45
119620-51670	11	35
119620-51680	11	36
119620-51700	11	37
119620-53000	13	3
119620-53080	13	6
119620-53120	13	10
119620-53140	13	12
119620-59700	13	51
119620-77820	4	54
119621-21680	8	8
119623-01250	1	9
119623-01550	2	10
119623-01950	2	39
	17	29
119623-11100	4	12
119623-22500	8	16
119623-22950	8	33
119624-01511	2	5
119624-01600	3	2
119624-02410	1	12
119624-03100	2	9
119624-07900	4	2
119624-11200	4	23
119624-11311	4	46
	17	10
119624-11331	4	42
119624-11600	4	43
119624-11610	4	44
	17	4
119624-11741	4	4
119624-13510	6	7
119624-21200	8	4
119624-21580	8	11
119624-21700	8	1
119624-22082	8	14
119624-22900	8	31
119624-25900	7	21
119624-32000	2	6
119624-32040	2	16
	17	27

Parts No.	Fig. No.	Ref. No.
119624-34810	9	2
119624-42000	10	22
119624-42001	10	22 -1
119624-42021	10	1
	17	14
119624-59811	13	30
119624-59821	13	34
119624-59831	13	38
119624-77201	16	1
119624-77380	16	11
119624-77720	16	5
119629-14580	7	3
119629-66510	12	69
119632-61200	12	15
119632-61500	12	19
119636-01330	1	24
	17	2
119636-01740	2	13
119636-01750	2	14
	17	26
119636-01780	3	6
119640-01640	3	8
119640-42290	10	3
119640-66051	12	62
119642-42350	10	4
119653-55910	14	17
119660-01551	2	28
119660-01562	2	29
	17	3
119660-01570	2	32
119660-12101	5	1
119660-12111	5	2
	17	11
119660-25022	7	25
119660-51500	11	30
119660-51530	11	32
119660-61053	12	18
119660-61054	12	18 -1
119660-61060	12	1
119660-61071	12	2
119660-61122	12	12
119660-61141	12	13
119660-61151	12	14
119660-61300	12	9
119660-61341	12	10
119660-61590	12	47
119660-61651	12	42
119660-61901	12	49
119802-13600	6	4
119810-55340	14	3

## Parts No. Index

Parts No.	Fig. No.	Ref. No.
119865-21600	8	13
121000-13201	6	12
	17	30
121023-01550	2	25
121023-01551	2	25 -1
121111-21501	8	10
121250-44901	10	14
121250-55620	14	7
121254-55510	14	4
121450-01560	2	31
121465-59950	12	59
121520-01851	2	52
	17	16
121520-01860	2	53
121520-34810	9	1
121575-66830	12	108
122710-51090	7	18
123482-01900	14	22
123900-13600	6	10
123900-13620	6	9
124066-03770	12	118
124066-59100	13	46
124085-02220	3	4
124160-01751	2	23
	4	57
124160-11340	4	17
	17	6
124160-11360	4	51
124295-11260	4	27
124295-11650	4	29
124295-11660	4	33
124465-44950	10	13
	17	17
124550-55700	14	8
124736-07900	4	55
124766-59050	13	43
	14	14
124950-11340	4	18
	17	5
129054-13210	6	6
129100-01580	3	1
	8	2
129100-35140	9	4
129136-77251	16	8
129150-49360	10	16
	17	32
129150-49811	10	17
	17	13
129150-59120	13	25
129150-59131	13	28

Parts No.	Fig. No.	Ref. No.
129150-77340	16	10
129155-49801	10	10
129155-51280	12	16
129155-61830	13	2
	17	21
129155-77801	4	53
129156-61500	12	24
129209-61960	12	122
129209-61970	12	57
129350-49530	10	8
129400-92410	17	36
129450-44761	10	6
129612-77260	16	9
129612-77700	16	2
129612-77710	16	3
129612-77730	16	4
129612-77750	16	6
129612-77760	16	7
129795-49551	10	9
	17	15
171056-49120	10	12
171056-49351	10	15
174307-51700	12	26
194990-22050	2	48
22117-040000	12	43
22190-060003	2	12
	12	116
	17	25
22190-080002	14	23
		24
	17	34
		35
22190-120002	12	110
	14	16
	17	18
22190-140002	13	52
	17	19
22190-220002	3	9
	17	23
22217-120000	7	23
22242-000120	4	37
22242-000200	7	13
22252-000210	8	21
22272-000040	12	45
22272-000050	12	119
22351-030010	8	6
22351-030014	12	46
22351-040010	2	34
	12	54
22351-060012	4	22

Parts No.	Fig. No.	Ref. No.
22360-040000	12	111
22360-060000	12	112
22512-040120	7	7
	8	5
22857-500100	4	50
23065-120650	4	1
23414-120016	12	58
23876-005000	4	10
23876-010000	1	8
24101-060034	7	19
24102-063034	7	20
24311-000120	4	52
	17	20
24311-000150	12	123
24311-000320	2	24
	4	58
	17	9
24311-240100	14	10
24341-000070	12	55
24341-000240	2	26
	17	22
24341-000280	12	66
26014-060162	2	54
26014-080252	16	12
26014-080702	14	11
26022-040082	11	42
26033-040102	11	43
26106-050102	12	113 -1
26106-060102	3	5
		11
	9	7
	12	56
26106-060122	1	22
	2	17
	3	10
	4	3
	7	14
26106-060162	2	18
		27
	5	3
26106-060252	2	7
26106-060282	2	19
26106-060302	10	7
		20
26106-060402	2	20
	5	4
26106-060552	10	21
26106-060652	2	21
26106-060702	2	22
	12	3

Parts No.	Fig. No.	Ref. No.
26106-080142	4	56
26106-080162	16	13
26106-080182	14	18
26106-080222	10	11
26106-080452	10	2
26106-080502	4	40
26106-100182	6	11
26116-050082	2	35
26116-050102	12	113
26116-120252	15	1
26206-100252	3	3
26216-080202	2	8
26306-080002	2	50
	4	41
	6	3
		8
26366-060002	2	38
26366-080002	12	117
26557-060102	7	22
26687-120002	12	60
26716-120002	7	24
26736-120002	12	107
26756-060002	12	115
26856-060002	4	32
		36
26857-060002	12	63
26979-050162	4	38
27241-120000	1	10
		14
27241-250000	1	15
27241-300000	1	11
27241-400000	4	11
27310-070001	4	16
719255-53100	13	1
719620-23100	8	22
719620-23600	8	26
719620-23610	8	29
719624-01561	1	1
719624-01610	2	1
719624-51100	11	1
719624-92620	17	1
721250-59080	13	42
977770-1207F	17	37
X0280210331	15	24
X0280335360	15	35
X0280626010	15	13
X0280996180	15	4
X0281007680	15	3
X0282005871	15	7
X0283006960	15	8

# Parts No. Index

Parts No.	Fig. No.	Ref. No.
X0284105040	15	14
X0284525010	15	28
X0285005770	15	11
X0285105190	15	5
X0285205030	15	6
X0286105010	15	16
X0286305010	15	18
X0286355010	15	19
X0287405140	15	20
X0534007800	15	21
X1289510130	15	36
X2284005750	15	9
X9055715000	15	22
X9490065670	15	34
X9490138090	15	26
X9490138100	15	27
X9490138110	15	25
X9490423520	15	31
X9490560750	15	30
X9490562360	15	29
X9490721360	15	23
X9491034320	15	17
X9491034330	15	15
X9491040990	15	12
X9491050100	15	10

Parts No.	Fig. No.	Ref. No.
-----------	----------	----------

Parts No.	Fig. No.	Ref. No.
-----------	----------	----------

Parts No.	Fig. No.	Ref. No.
-----------	----------	----------