

0CB10-M68901EN

## Directions for the Parts Catalog.

1. This Parts Catalog shows both standard and optional parts.
2. Parts may change without prior notice.
3. The following is an example of the Parts Catalog format.

REF.	LEV.	PARTS NO.	DESCRIPTION	Q'TY						I	R
				(A)	(B)	(C)	(D)	(E)	(F)		
1	1	729595-51390	FUEL INJECTION PUMP	1	1	1	1	1			1
1-1	1	729595-51391	FUEL INJECTION PUMP	1	1	1	1	1		N	1
		(A=E00185) (B=E00200)									
3	2	26022-060162	SCREW M 6X 16	9	9	9	9	9			
3-1	2	26022-060162	SCREW M 6X 16	4	4	4	4	4		K	
		(A=E00156) (B=E00156) (C=E00156) (D=E00156) (E=E00156)									
4	2	129470-51040	CAMSHAFT	1	1	1	1	1			
5	2	122710-51050	BEARING, ROLLER	2	2	2	2	2			
6	2	129470-51060	RETAINER	1	1	1	1	1			

Remarks
(1) BOOST COMPEMSATOR TYPE. OPTIONAL PART, TO E00155,(4JH-DT, 4JH-DTZ

### ① Ref. No.

The Ref. No. listed may not be in accordance with the illustration Ref. No.

(Ex.) Illustration No.

List Ref No.

1

1

(Before change) → 1-1 (After change)

For interchangeable symbols N, R and K, illustrations for new parts may be abbreviated.

### ② Lev. (Level)

Level indication

The numbers below indicate the level of relativity towards the main part.

1 ----- Main parts (Assembly parts)

2 ----- Sub component included in " 1 ".

3 ----- Sub component included in " 2 ".

Note) Parts that are not for sale are partially illustrated but not listed.

### ③ Interchangeability Symbol

When a part change takes place, one of the following interchangeability symbols is indicated beside the part.

Symbol	Interchangeability	Contents note
N	Old $\begin{matrix} \leftarrow \text{Yes} \\ \text{No} \rightarrow \end{matrix}$ New	New Part is interchangeable for Old Part but Old Part is not interchangeable for New Part.
Q	Old $\begin{matrix} \leftarrow \text{No} \\ \text{Yes} \rightarrow \end{matrix}$ New	New Part is not interchangeable for Old Part but Old Part is interchangeable for New Part.
R	Old $\begin{matrix} \leftarrow \text{Yes} \\ \text{Yes} \rightarrow \end{matrix}$ New	New/ Old Parts are both interchangeable.
S	Old $\begin{matrix} \leftarrow \text{No} \\ \text{No} \rightarrow \end{matrix}$ New	New/ Old Parts are both not interchangeable.
W		Part newly added.
Z		Part discontinued.
F		Not interchangeable by a single part but interchangeable together with related parts.
K		Changes only for used parts quantities.

### ④ Effective Machine No.

When a part changes, the effective Machine No. will be indicated in the (A)-(F) column.

Product Symbol	Product No.	Product Symbol	Product No.
C	Clutch No. Compressor No.	F	Machine No. (Agricultural Equip.)
D	Drive No.	M	Machine No.
E	Engine No.		

Note 1) A date may follow the symbol. (Ex.) 1996.01

Note 2) "XXXXX" and "ZZZZZ" are for parts that could not be predicted or for engine models that could not be identified.

Note 3) (A=E00185) is the E (Engine Serial Number) for the column (A) model (in this case 4JH-DT) after the parts design change.

### ⑤ Remarks

Figures or alphabets (symbols) are entered in the remarks column.

The comments (remarks) on parts that are indicated at the bottom of the illustration are the same symbols as those stated above.

# Contents

OCB10-M68901

Fig. No. Fig. Name

Fig. No. Fig. Name

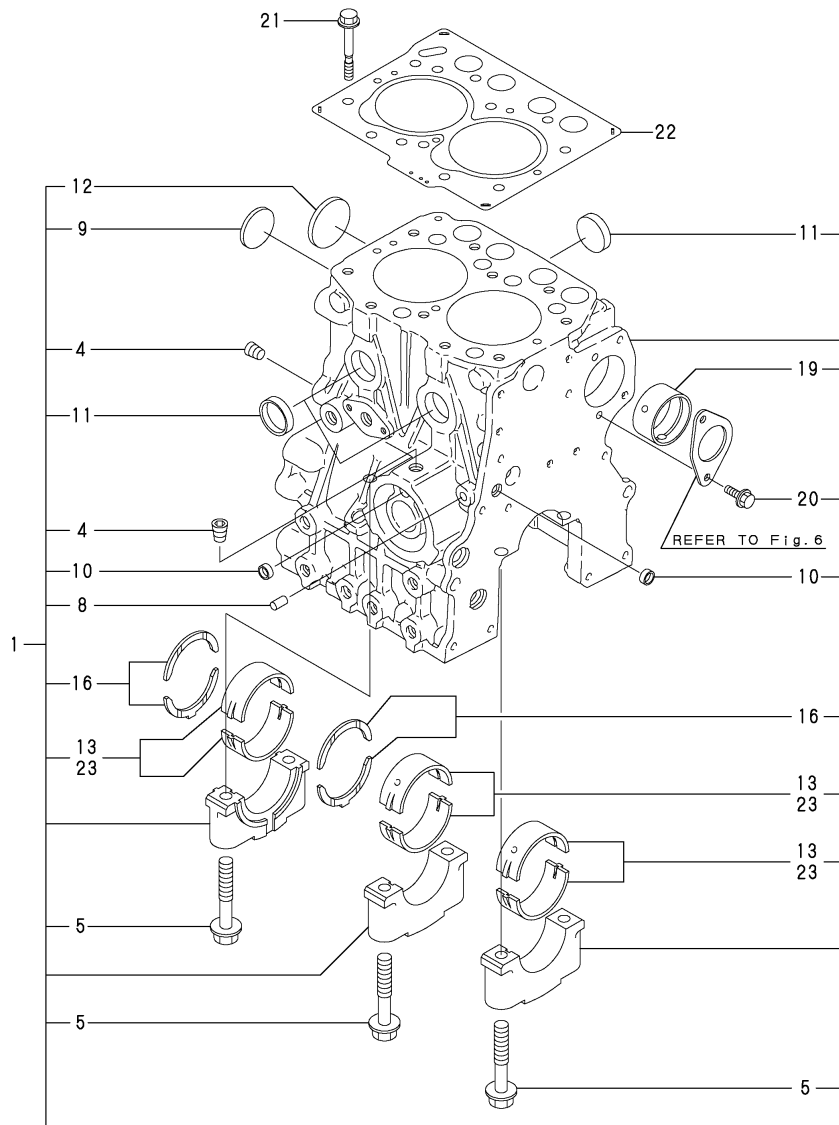
## ENGINE 2TNE68-EFW

1. CYLINDER BLOCK
2. GEAR HOUSING
3. FLYWHEEL HOUSING & L.O.SUMP
4. CYLINDER HEAD & BONNET
5. SUCTION & EXHAUST MANIFOLD
6. CAMSHAFT & DRIVING GEAR
7. CRANKSHAFT & PISTON
8. LUB.OIL SYSTEM
9. COOLING WATER SYSTEM
10. FUEL INJECTION DEVICE
11. GOVERNOR
12. FUEL INJECTION SYSTEM
13. STARTING MOTOR
14. GENERATOR
15. GASKET SET & TOOLS

Fig.1. CYLINDER BLOCK

(A)=2TNE68-EFW  
(B)=  
(C)=

(D)=  
(E)=  
(F)=



No.	Lev.	Parts No.	Description	Q'ty						I	R
				(A)	(B)	(C)	(D)	(E)	(F)		
1	1	719325-01560	BLOCK ASSY, CYLINDER	1							
4	3	124060-01050	PLUG, PT1/8	2							
5	3	119260-02020	BOLT, METAL CAP	6							
8	3	27221-060100	PLUG, 6X10	1							
9	3	119265-01250	PLUG, 40	1							
10	3	27241-100000	PLUG, 10	2							
11	3	27241-250000	PLUG, 25	3							
12	3	27241-300000	PLUG 30	1							
13	2	119260-02800	BEARING, MAIN	3							
16	2	119260-02930	BEARING, THRUST	2							
19	2	119266-02410	BUSH	1							
20	2	26106-060122	BOLT, M6X 12 PLATED	2							
21	1	119266-01200	BOLT, HEAD	10							
22	1	119309-01330	GASKET, CYL. HEAD	1							
23	1	119260-02870	BEARING, 0.25 US	3							1

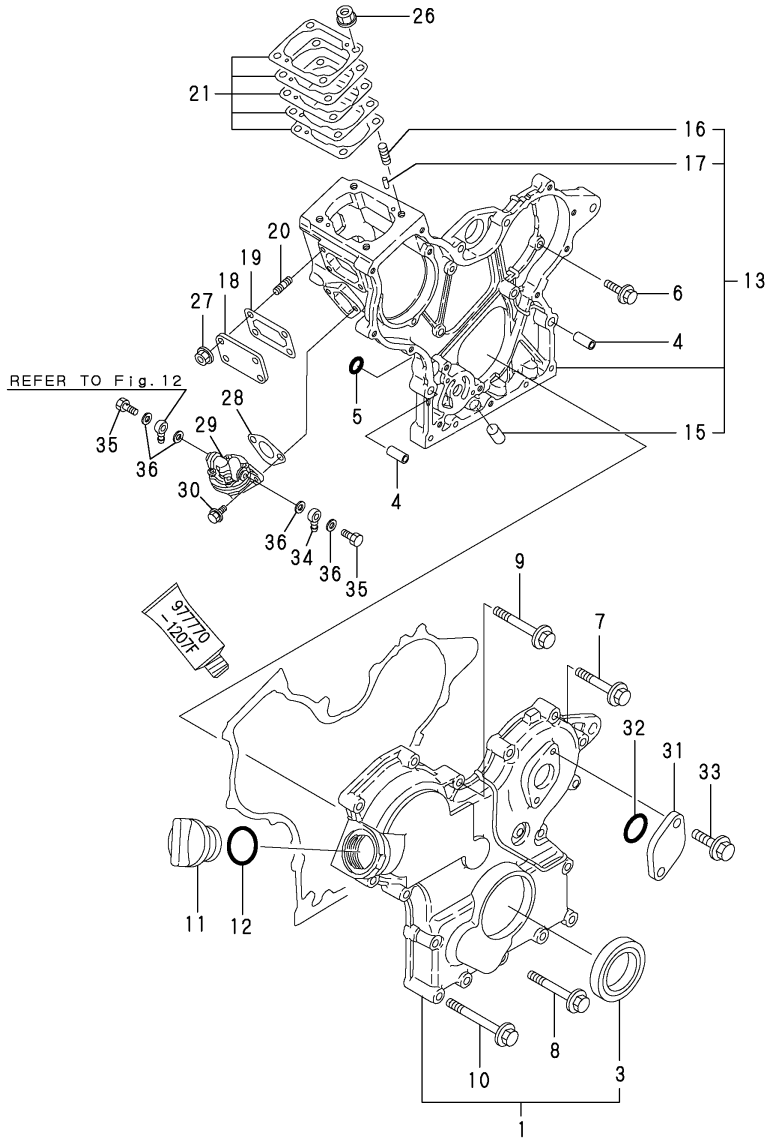
Remarks

(1) UNDER SIZED (U.S.=0.25) PART.

Fig.2. GEAR HOUSING

(A)=2TNE68-EFW  
(B)=  
(C)=

(D)=  
(E)=  
(F)=

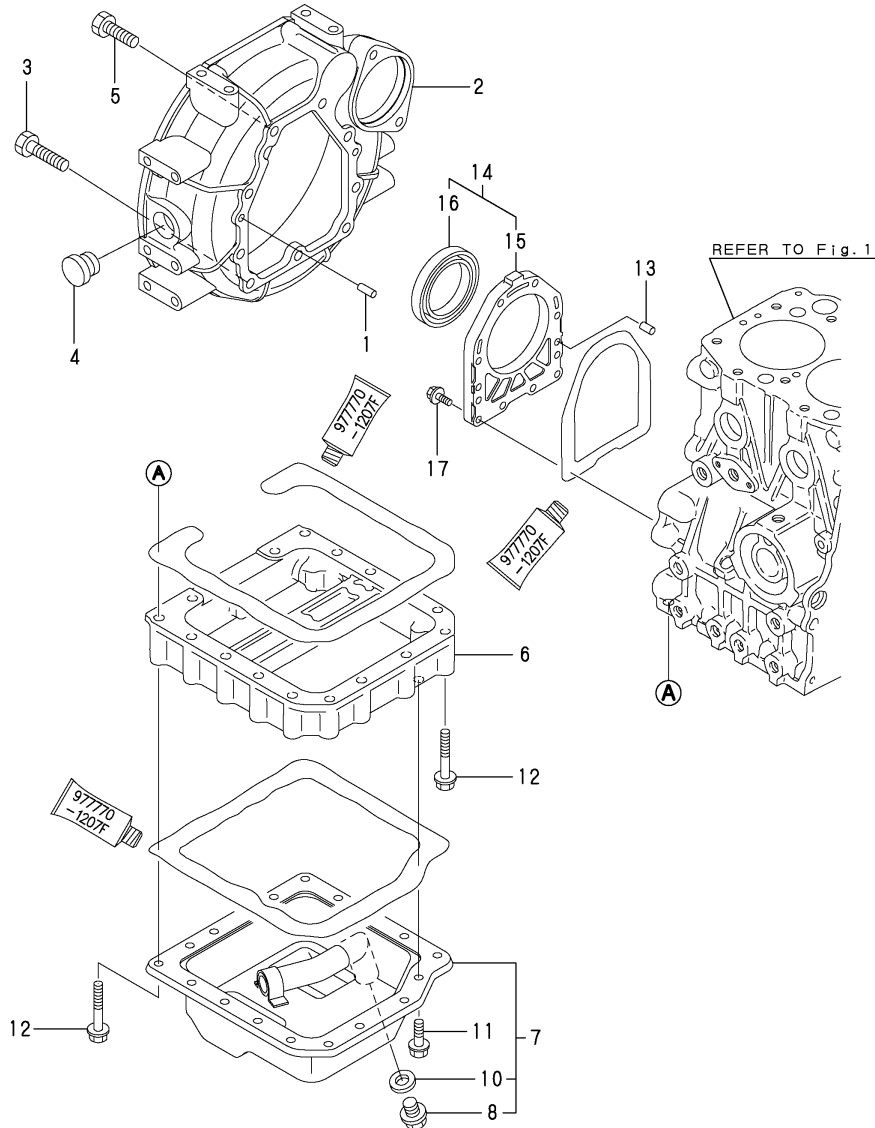


No.	Lev.	Parts No.	Description	Q'ty						I	R
				(A)	(B)	(C)	(D)	(E)	(F)		
1	1	119260-01590	COVER ASSY,GEAR CASE	1							
3	2	119620-01800	SEAL, OIL	1							
4	1	119660-01911	PIPE, KNOCK	4							
5	1	119624-32040	O-RING, P12.0	2							
6	1	26106-060162	BOLT, M6X 16 PLATED	5							
7	1	26106-060302	BOLT, M6X 30 PLATED	5							
8	1	26106-060402	BOLT, M6X 40 PLATED	3							
9	1	26106-060502	BOLT, M6X 50 PLATED	4							
10	1	26106-060652	BOLT, M6X 65 PLATED	6							
11	1	124160-01751	COVER, FILLER	1							
12	1	24311-000320	O-RING, 1AP32.0	1							
13	1	119305-01490	CASE ASSY, GEAR	1							
15	2	119260-01510	PLUG	1							
16	2	121450-01560	STUD, M8X22	4							
17	2	22351-040010	PIN, SPRING 4.0X10	2							
18	1	119660-01551	COVER	1							
19	1	119660-01562	GASKET	1							
20	1	119660-01570	STUD, M6X12	4							
21	1	119305-01950	SHIM SET, ADJUSTING	1							
26	1	194990-22050	NUT, M8	4							
27	1	26366-060002	NUT, M6	4							
28	1	121520-01851	GASKET	1							
29	1	119600-52021	PUMP ASSY, FUEL FEED	1							
30	1	26106-060162	BOLT, M6X 16 PLATED	2							
31	1	121023-01550	COVER	1							
31-1	1	121023-01551	COVER	1							R
(A=E/#44436)											
32	1	24341-000240	O-RING, 1AS24.0	1							
33	1	26106-060162	BOLT, M6X 16 PLATED	2							
34	1	104264-59030	JOINT, PIPE 8	1							
35	1	105582-59150	BOLT, PIPE JOINT	2							
36	1	22190-080002	WASHER, SEAL 6	4							

Fig.3. FLYWHEEL HOUSING & L.O.SUMP

(A)=2TNE68-EFW  
(B)=  
(C)=

(D)=  
(E)=  
(F)=

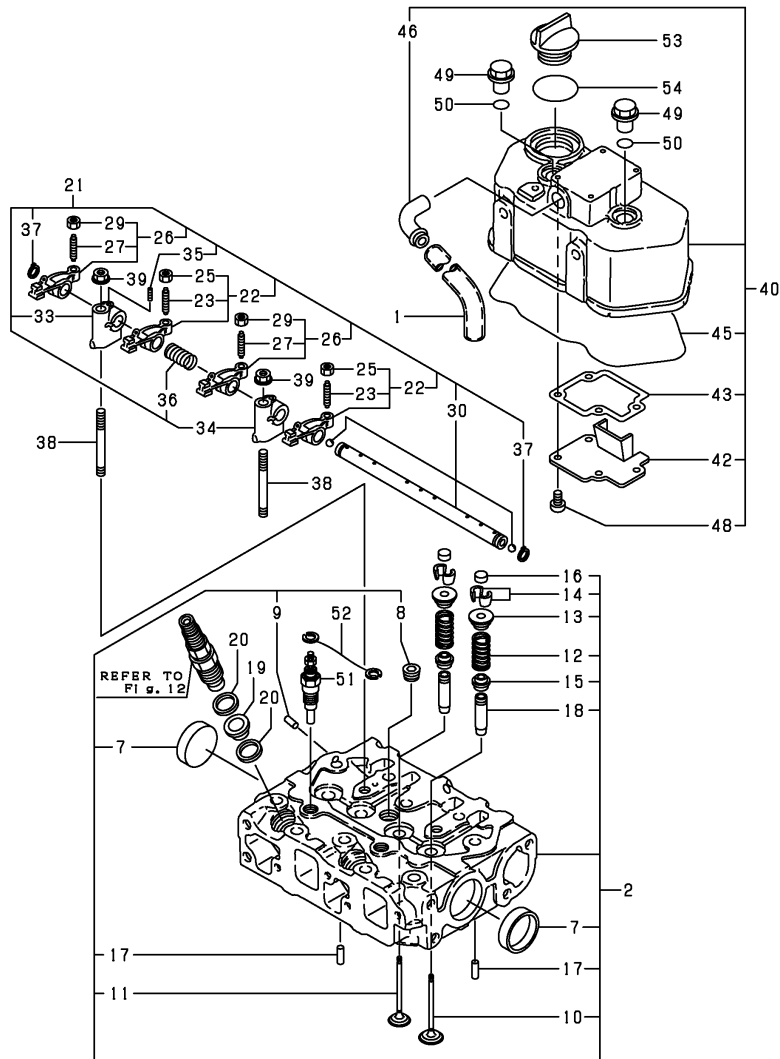


No.	Lev.	Parts No.	Description	Q'ty						I	R
				(A)	(B)	(C)	(D)	(E)	(F)		
1	1	129100-01580	PIN, M8X16	2							
2	1	119230-01600	HOUSING, FLYWHEEL	1							
3	1	121120-01620	BOLT, M10X28	3							
4	1	119620-01750	CAP	1							
5	1	26206-100252	BOLT, M10X 25 PLATED	6							
6	1	119305-01760	SPACER, OIL SUMP	1							
7	1	119325-01791	SUMP ASSY, OIL	1							
8	2	105425-01690	PLUG, 16	1							
10	2	22190-160002	WASHER, SEAL 16	1							
11	1	26106-060102	BOLT, M6X 10 PLATED	3							
12	1	26106-060452	BOLT, M6X 45 PLATED	16							
13	1	119620-01620	PIN, M6X10	2							
14	1	119660-01640	CASE ASSY, OIL SEAL	1							
15	2	119660-01651	CASE, OIL SEAL	1							
16	2	124085-02220	SEAL, OIL	1							
17	1	26106-060222	BOLT, M6X 22 PLATED	10							

Fig.4. CYLINDER HEAD & BONNET

(A)=2TNE68-EFW  
(B)=  
(C)=

(D)=  
(E)=  
(F)=



No.	Lev.	Parts No.	Description	Q'ty						I	R
				(A)	(B)	(C)	(D)	(E)	(F)		
1	1	23065-120800	PIPE, 12X 800	1							
2	1	719325-11700	HEAD ASSY, CYLINDER	1							
7	2	27241-350000	PLUG, 35	2							
8	2	23876-020000	PLUG, R02	1							
9	2	27221-050080	PLUG, 5X 8	1							
10	2	119260-11100	VALVE, INTAKE	2							
11	2	119260-11110	VALVE, EXHAUST	2							
12	2	114250-11120	SPRING, VALVE	4							
13	2	114250-11180	RETAINER, SPRING	4							
14	2	27310-055001	COTTER, 5.5	4							
15	2	119260-11340	SEAL, VALVE STEM	4							
16	2	119260-11370	CAP, VALVE	4							
17	2	22351-060012	PIN, SPRING 6.0X12	2							
18	2	119260-11800	GUIDE, VALVE	4							1
19	1	119600-11450	PROTECTOR, NOZZLE	2							
20	1	119600-11460	GASKET, NOZZLE	4							
21	1	119305-11200	SUPPORT ASSY, ARM	1							
22	2	719260-11650	ARM ASSY, ROCKER	2							
23	3	105010-11230	SCREW, VALVE ADJUST	2							
25	3	26856-060002	NUT, M6	2							
26	2	719260-11660	ARM ASSY, ROCKER	2							
27	3	105010-11230	SCREW, VALVE ADJUST	2							
29	3	26856-060002	NUT, M6	2							
30	2	119305-11240	SHAFT ASSY, ROCKER	1							
33	2	119260-11260	SUPPORT, ROCKER ARM	1							
34	2	119265-11260	SUPPORT, ROCKER ARM	1							
35	2	119260-11270	SCREW	1							
36	2	119260-11280	SPRING	1							
37	2	22242-000100	RING, 10	2							
38	1	119620-11350	STUD	2							
39	1	26306-080002	NUT, M8	2							
40	1	119325-11350	BONNET ASSY, HEAD	1							
42	2	119305-03020	PLATE, SHELTER	1							
43	2	119305-03031	GASKET	1							
45	2	119305-11310	GASKET, BONNET	1							
46	2	119266-11390	JOINT	1							
48	2	22857-500100	SCREW, 5X10	4							
49	1	124160-11360	KNOB	2							
50	1	24311-000120	O-RING, 1AP12.0	2							
51	1	129155-77801	PLUG, GLOW	2							
52	1	119356-77820	CONNECTOR, GLOW PLUG	1							
53	1	124160-01751	COVER, FILLER	1							
54	1	24311-000320	O-RING, 1AP32.0	1							

Remarks

(1)REPAIR PART.

N:Old  $\begin{matrix} \leftarrow \text{Yes} \\ \text{No} \end{matrix}$  New, Q:Old  $\begin{matrix} \leftarrow \text{No} \\ \text{Yes} \end{matrix}$  New, R:Old  $\begin{matrix} \leftarrow \text{Yes} \\ \text{Yes} \end{matrix}$  New, S:Old  $\begin{matrix} \leftarrow \text{No} \\ \text{No} \end{matrix}$  New, W:Add, Z:Discontinued, F:Interchangeable by set, K:Q'ty Change

Fig.5. SUCTION & EXHAUST MANIFOLD

(A)=2TNE68-EFW  
(B)=  
(C)=

(D)=  
(E)=  
(F)=

No.	Lev.	Parts No.	Description	Q'ty						I	R
				(A)	(B)	(C)	(D)	(E)	(F)		
1	1	119305-12150	MANIFOLD, AIR INTAKE	1							
2	1	119326-12111	GASKET, MANIFOLD	1							
3	1	26106-060162	BOLT, M6X 16 PLATED	2							
4	1	26106-060282	BOLT, M6X 28 PLATED	1							
5	1	119305-13100	MANIFOLD, EXHAUST	1							
6	1	119305-13110	GASKET	1							
7	1	119265-13840	BOLT, M6X40	2							
8	1	119265-13810	STUD, M6X40	2							
9	1	119131-18320	STUD, M8X22	4							
10	1	119265-13800	NUT, M6	2							

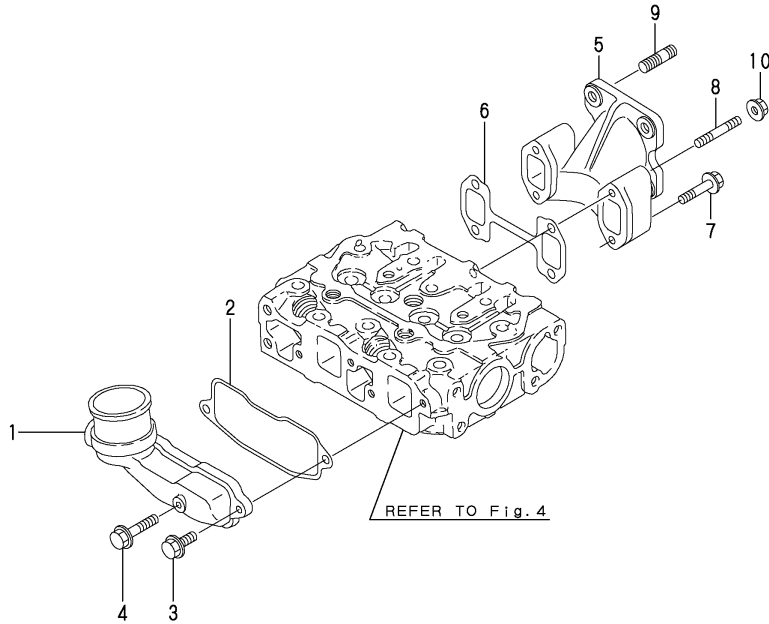
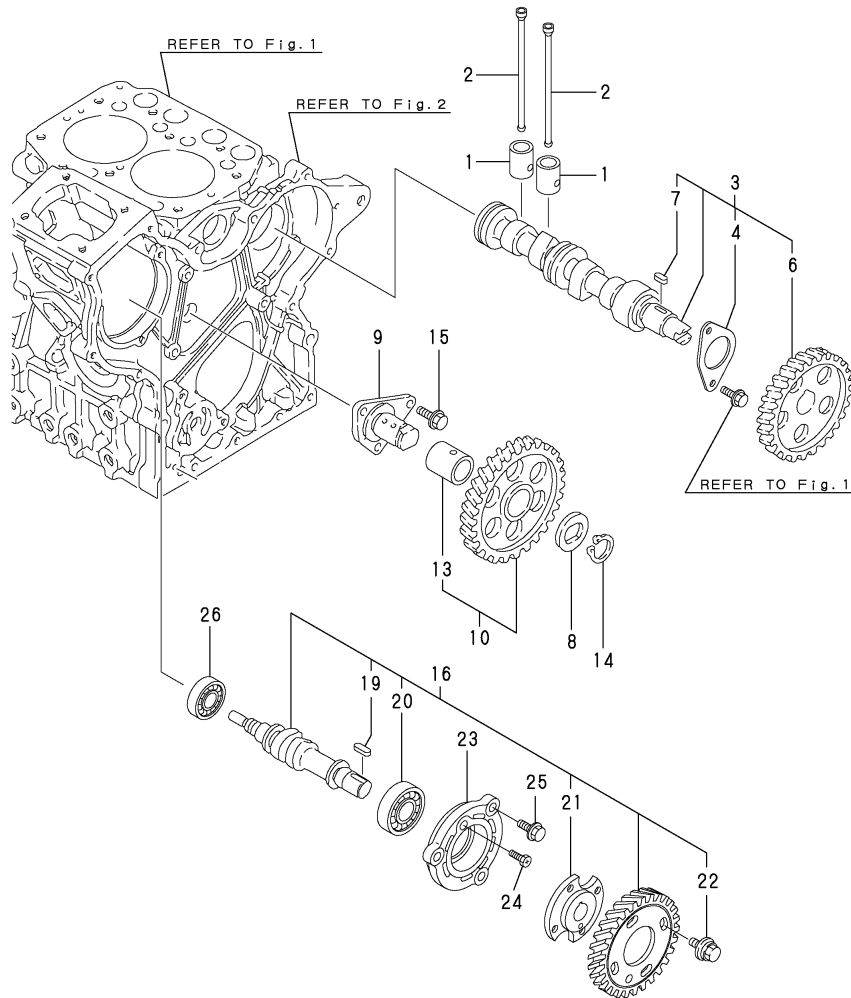




Fig.6. CAMSHAFT & DRIVING GEAR

(A)=2TNE68-EFW  
(B)=  
(C)=

(D)=  
(E)=  
(F)=



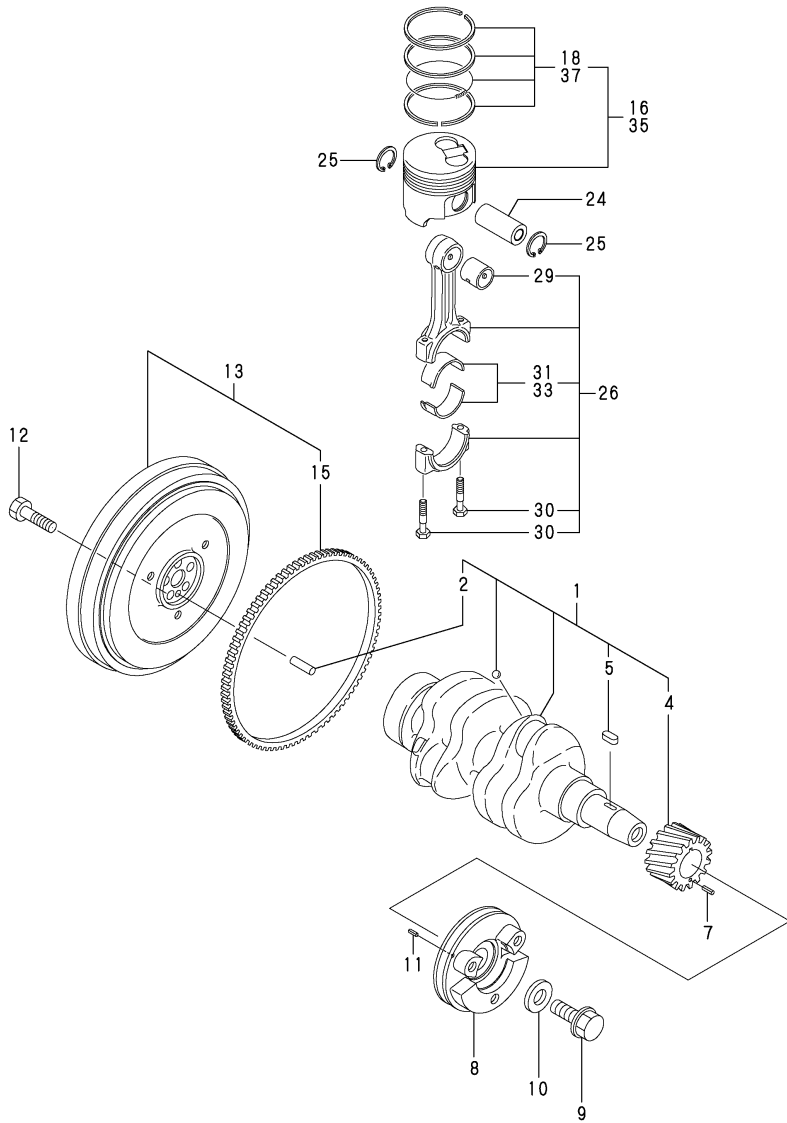
No.	Lev.	Parts No.	Description	Q'ty						I	R
				(A)	(B)	(C)	(D)	(E)	(F)		
1	1	119260-14200	TAPPET	4							
2	1	119260-14400	ROD, PUSH	4							
3	1	119305-14580	CAMSHAFT ASSY	1							
4	2	119620-02450	BEARING, THRUST	1							
6	2	119260-14100	GEAR, CAMSHAFT	1							
7	2	22512-040120	KEY, 4X 12	1							
8	1	119660-25022	RETAINER	1							
9	1	119660-25052	SHAFT, IDLE	1							
10	1	119260-25100	GEAR ASSY, IDLE	1							
13	2	119620-25912	BUSH	1							1
14	1	22242-000200	RING, 20	1							
15	1	26106-060122	BOLT, M6X 12 PLATED	3							
16	1	119305-14210	CAM ASSY	1							
19	2	22512-040120	KEY, 4X 12	1							
20	2	24102-063034	BEARING, BALL 6303U	1							
21	2	119660-25920	FLANGE	1							
22	2	119660-25930	BOLT	4							
23	1	119660-01821	BEARING, FUEL CAM	1							
24	1	26587-080102	SCREW, M8X10	1							
25	1	26106-060162	BOLT, M6X 16 PLATED	3							
26	1	24101-062034	BEARING, BALL 6203	1							W

(A=E/#36025)

Remarks

(1)REPAIR PART.

Fig.7. CRANKSHAFT & PISTON



(A)=2TNE68-EFW  
(B)=  
(C)=

(D)=  
(E)=  
(F)=

No.	Lev.	Parts No.	Description	Qty						I	R
				(A)	(B)	(C)	(D)	(E)	(F)		
1	1	119309-21700	CRANKSHAFT ASSY	1							
2	2	129100-01580	PIN, M8X16	1							
4	2	119260-21200	GEAR, CRANKSHAFT	1							
5	2	22512-040120	KEY, 4X 12	1							
7	1	22351-030012	PIN, SPRING 3.0X12	1							
8	1	119325-21670	V-PULLEY	1							
9	1	119621-21680	BOLT, FLANGE 12X1.25	1							
10	1	119620-21941	WASHER	1							
11	1	22351-030010	PIN, SPRING 3.0X10	1							
12	1	119620-21500	BOLT, FLYWHEEL	5							
13	1	119325-21580	FLYWHEEL ASSY	1							
15	2	124950-21600	GEAR, RING	1							
16	1	119265-22601	PISTON ASSY	2							
18	2	119265-22500	RING SET, PISTON	2							
24	1	119265-22300	PIN, PISTON	2							
25	1	22252-000200	RING, 20	4							
26	1	119265-23100	ROD ASSY, CONNECTING	2							
29	2	119260-23910	BEARING, PISTON PIN	2							1
30	2	119265-23200	BOLT, CONNECTING ROD	4							
31	2	719260-23600	BEARING, CRANK PIN	2							
33	1	719260-23610	BEARING ASSY, 0.25	2							2
35	1	119265-22930	PISTON ASSY, 0.25 OS	2							3
37	2	119265-22950	RING SET, 0.25 OS	2							3

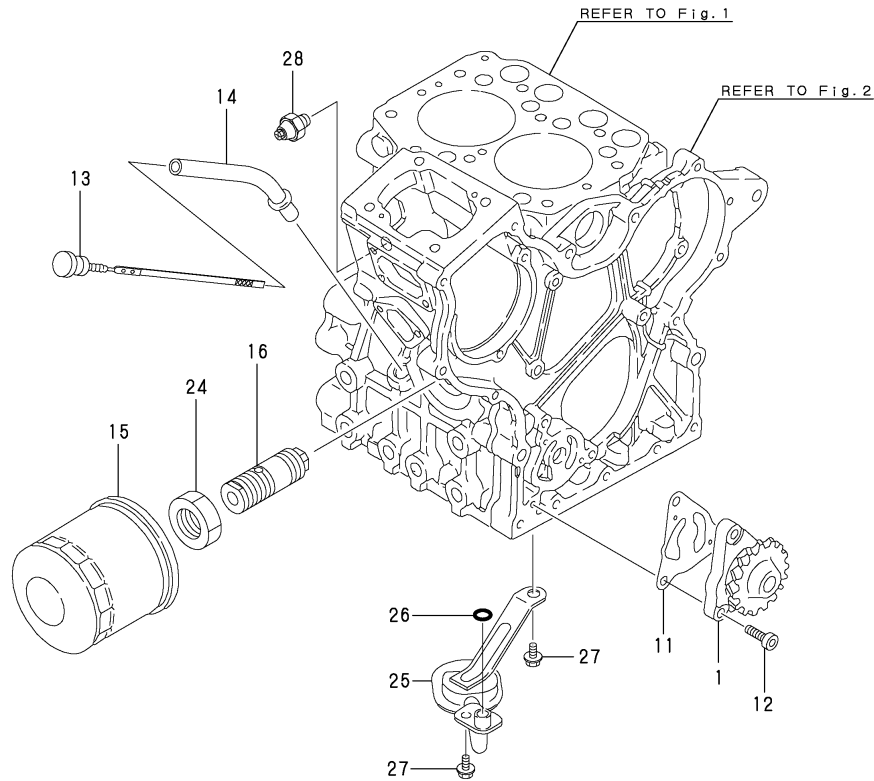
Remarks

- (1)REPAIR PART.
- (2)UNDER SIZED(U.S.=0.25)PART.
- (3)OVER SIZED(O.S.=0.25)PART.

Fig.8. LUB.OIL SYSTEM

(A)=2TNE68-EFW  
(B)=  
(C)=

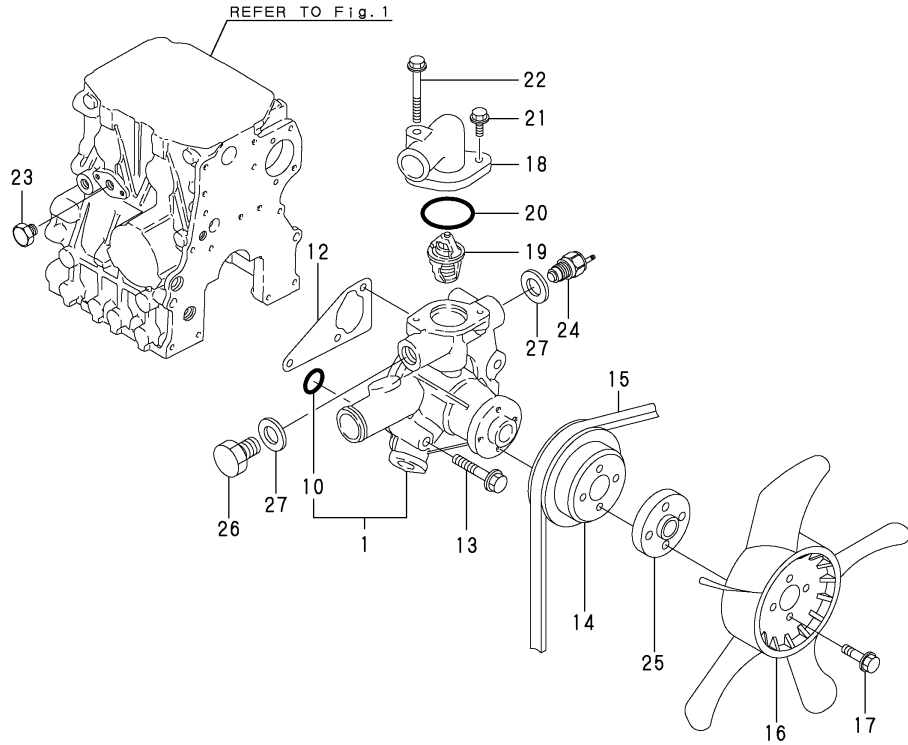
(D)=  
(E)=  
(F)=



No.	Lev.	Parts No.	Description	Q'ty						I	R
				(A)	(B)	(C)	(D)	(E)	(F)		
1	1	119260-32000	PUMP ASSY, OIL	1							
11	1	119660-32020	GASKET, PUMP	1							
12	1	26450-060202	BOLT, M6X 20	3							
13	1	119325-34840	DIPSTICK, OIL	1							
14	1	119325-34890	GUIDE, DIPSTICK	1							
15	1	119305-35170	FILTER ASSY, D68XL65	1							1
16	1	119225-35300	VALVE ASSY	1							
24	1	129150-35350	NUT	1							
25	1	119332-35080	PIPE ASSY, OIL INLET	1							
26	1	119209-35030	O-RING, P11	1							
27	1	26106-060122	BOLT, M6X 12 PLATED	2							
27-1	1	26106-060102	BOLT, M6X 10 PLATED	2							N
(A=E/#44436)											
28	1	114250-39450	SWITCH, 0.5KG	1							

Remarks  
(1) REPAIR PART.

Fig.9. COOLING WATER SYSTEM

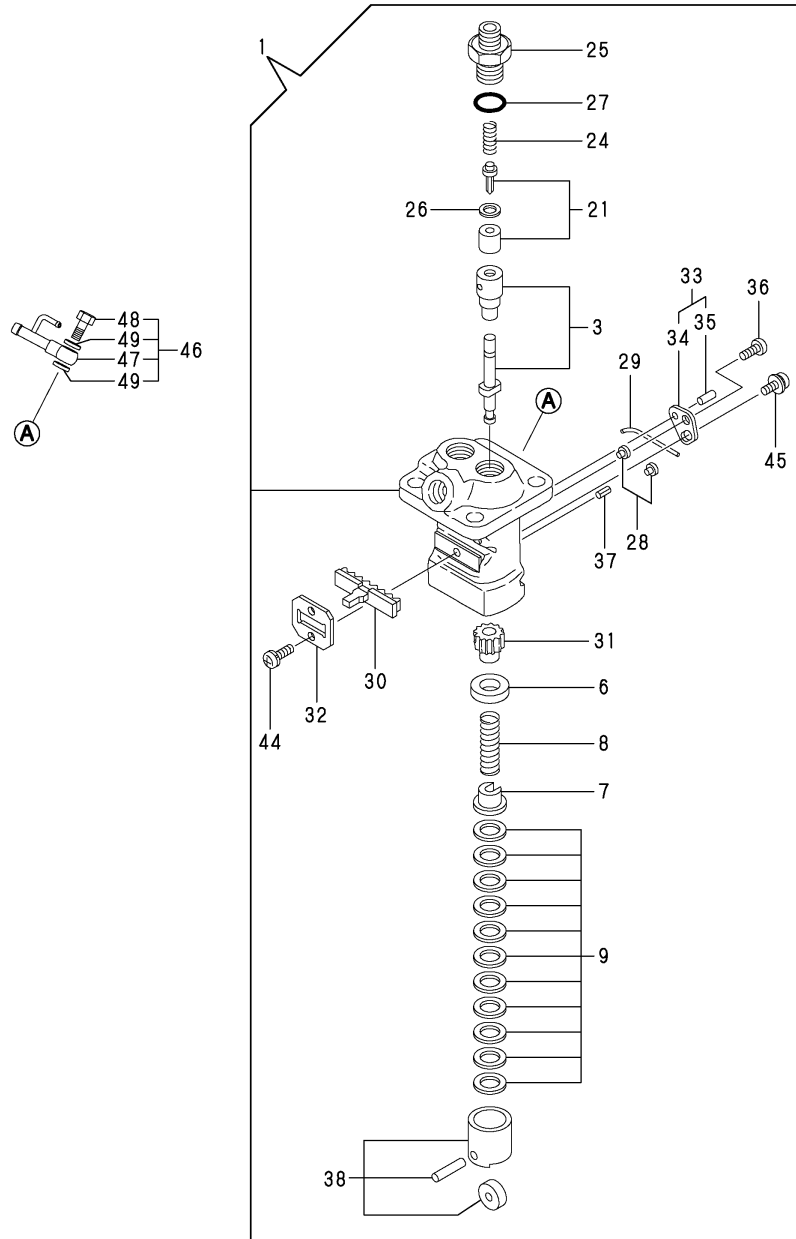


(A)=2TNE68-EFW  
(B)=  
(C)=

(D)=  
(E)=  
(F)=

No.	Lev.	Parts No.	Description	Q'ty						I	R
				(A)	(B)	(C)	(D)	(E)	(F)		
1	1	119260-42003	PUMP ASSY, WATER	1							
1-1	1	119260-42004	PUMP ASSY, WATER	1							R
(A=E/#37806)											
10	2	119209-42320	O-RING, P21 EPDM	1							
12	1	119260-42021	GASKET, WATER PUMP	1							
13	1	26106-080452	BOLT, M8X 45 PLATED	3							
14	1	119620-42350	V-PULLEY	1							
15	1	129430-42280	V-BELT, HM33	1							
15-1	1	25157-003300	V-BELT, M33	1							R
(A=E/#38137)											
16	1	119230-44750	FAN, COOLING D230	1							
17	1	26106-060202	BOLT, M6X 20 PLATED	4							
18	1	119256-49531	COVER, THERMOSTAT	1							
19	1	119260-49801	THERMOSTAT, 71	1							
20	1	119209-42140	O-RING, G 35	1							
21	1	26106-060162	BOLT, M6X 16 PLATED	1							
22	1	26106-060552	BOLT, M6X 55 PLATED	1							
23	1	171056-49120	PLUG, DRAIN	1							
24	1	121250-44901	SWITCH, 110	1							
25	1	124574-44761	SPACER, FAN	1							
26	1	121450-42450	PLUG, M16	1							
27	1	124465-44950	GASKET, 16	2							

Fig.10. FUEL INJECTION DEVICE

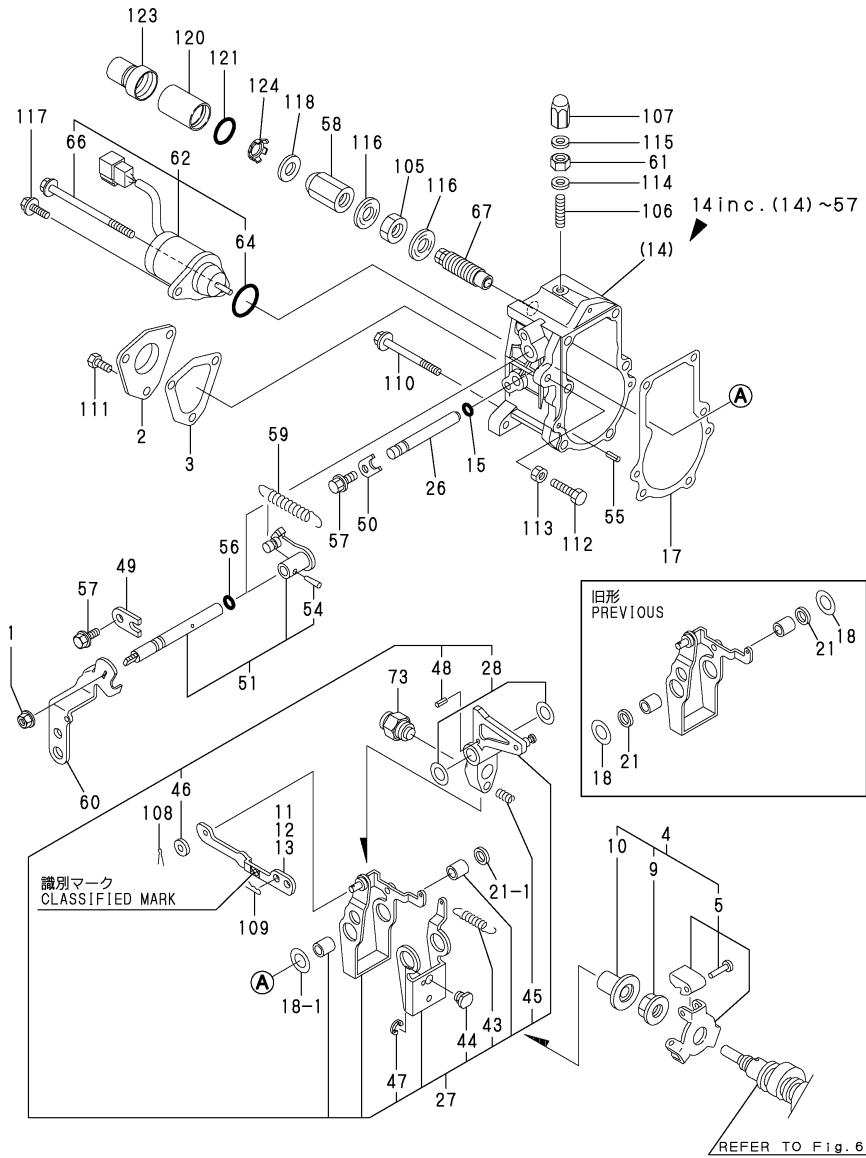


(A)=2TNE68-EFW  
(B)=  
(C)=

(D)=  
(E)=  
(F)=

No.	Lev.	Parts No.	Description	Q'ty						I	R
				(A)	(B)	(C)	(D)	(E)	(F)		
1	1	719305-51100	PUMP ASSY, INJECTION	1							
3	2	119225-51100	PLUNGER ASSY	2							
6	2	119620-51170	RETAINER, SPRING A	2							
7	2	119620-51180	RETAINER, SPRING B	2							
8	2	119620-51190	SPRING, PLUNGER	2							
9	2	119620-51250	SHIM SET	2							
21	2	119225-51300	VALVE ASSY, DELIVERY	2							
24	2	105546-51330	SPRING, DELIVERY	2							
25	2	119620-51340	HOLDER, DELIVERY	2							
26	2	119620-51350	GASKET	2							
27	2	119620-51370	O-RING	2							
28	2	119620-51450	PIECE	2							
29	2	174307-51460	PIN, LOCK	1							
30	2	119305-51500	RACK, CONTROL	1							
31	2	119620-51510	PINION	2							
32	2	119305-51530	RETAINER, RACK	1							
33	2	119620-51640	PLATE ASSY, ADJUST	1							
34	3	119620-51650	PLATE	1							
35	3	119620-51670	PIN	1							
36	2	119620-51660	SCREW	1							
37	2	119620-51680	PIN	1							
38	2	119620-51700	TAPPET ASSY	2							
44	2	26022-040082	SCREW, M4X 8	2							
45	2	26033-040102	SCREW, M4X10	1							
46	1	119266-59501	JOINT ASSY, PIPE	1							Z
		(A=E/#34017)									
47	1	119266-59570	JOINT, OVER FLOW	1							
48	1	119266-59580	BOLT, PIPE JOINT M8	1							
49	1	22190-080002	WASHER, SEAL 6	2							

Fig.11. GOVERNOR



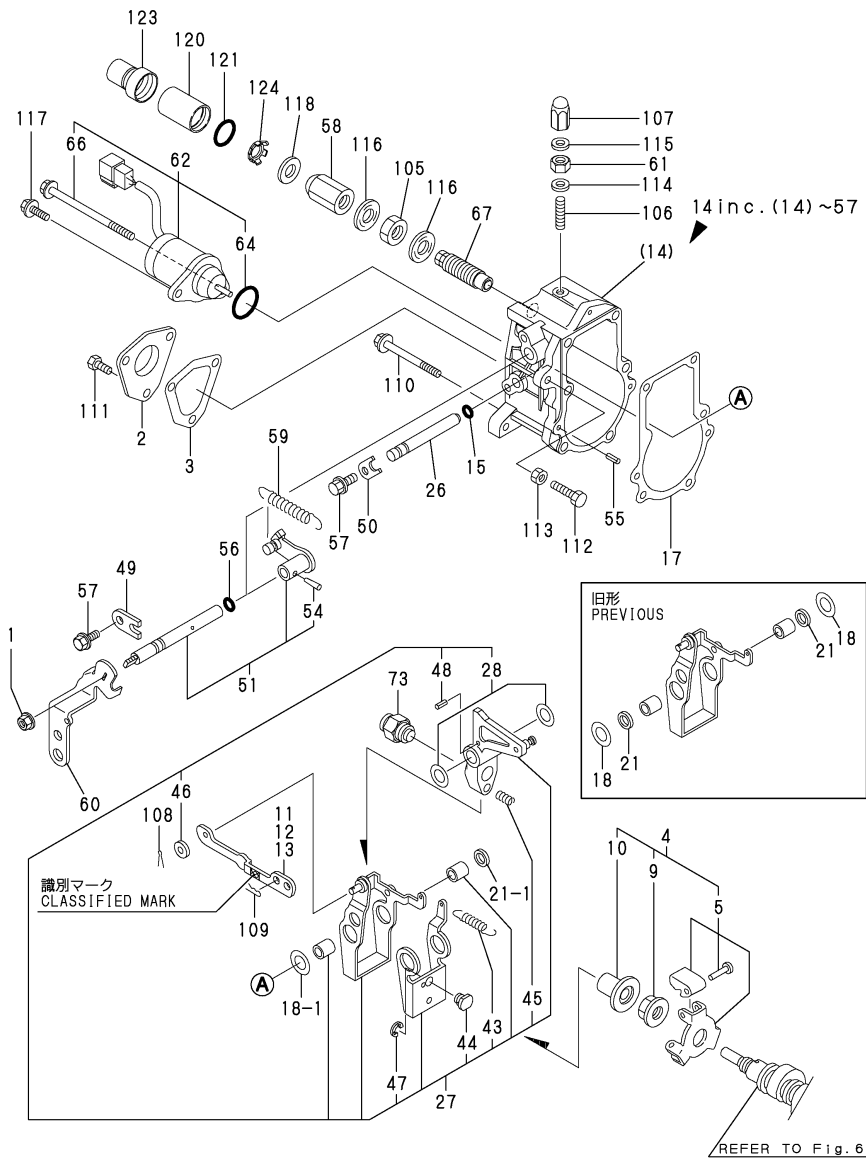
(A)=2TNE68-EFW  
(B)=  
(C)=

(D)=  
(E)=  
(F)=

No.	Lev.	Parts No.	Description	Q'ty						I	R
				(A)	(B)	(C)	(D)	(E)	(F)		
1	1	26366-080002	NUT, M8	1							
2	1	119660-61060	COVER, GOVERNOR CASE	1							
3	1	119660-61071	GASKET	1							
4	1	119600-61300	DRIVE ASSY	1							
5	2	119600-61400	WEIGHT ASSY,GOVERNOR	1							
9	2	119660-61300	NUT	1							
10	2	119660-61341	SLEEVE	1							
11	1	119285-61120	LINK, NO MARK	1							1
11-1	1	119660-61122	LINK, NO MARK	1							N 1
(A=E/#36784)											
12	1	119285-61130	LINK, MARK :2	1							1
12-1	1	119660-61141	LINK, MARK A	1							N 1
(A=E/#36784)											
13	1	119285-61140	LINK, MARK :3	1							1
13-1	1	119660-61151	LINK, MARK :B	1							N 1
(A=E/#36784)											
14	1	119632-61200	CASE ASSY, GOVERNOR	1							
15	2	129155-51280	O-RING, S6								
17	2	119660-61052	GASKET	1							
17-1	2	119660-61053	GASKET	1							S
(A=E/#33163)											
17-2	2	119660-61054	GASKET	1							R
(A=E/#44727)											
18	2	119660-61460	SHIM SET	2							
18-1	2	129156-61500	SHIM, T=0.5	1							N
(A=E/#33163)											
21	2	129155-61480	SPACER ASSY	2							
21-1	2	119632-61500	SHIM SET	1							N
(A=E/#33163)											
26	2	119660-61590	SHAFT	1							
27	2	119232-61510	LEVER ASSY, GOVERNOR	1							
28	3	174307-51700	SHIM SET	2							
43	3	119232-61540	SPRING	1							
44	3	119600-61541	SHIFTER	1							
45	3	119660-61651	SPRING, STARTING	1							
46	3	22117-040000	WASHER, 4	1							
47	3	22272-000040	RING, E- 4	1							
48	3	22351-030014	PIN, SPRING 3.0X14	1							
49	2	119600-61900	RETAINER, SHAFT	1							
50	2	119660-61901	RETAINER, SHAFT	1							
51	2	119285-66080	SHAFT ASSY	1							
54	3	22322-030160	PIN, TAPER 3X16	1							
55	2	22351-040010	PIN, SPRING 4.0X10	2							
56	2	24341-000070	O-RING, 1AS7.0	1							
57	2	26106-060102	BOLT, M6X 10 PLATED	2							
58	1	129100-61930	NUT, CAP	1							
59	1	119245-66010	SPRING, REGULATOR	1							
60	1	119621-66051	LEVER, REGULATOR	1							
61	1	26857-060002	NUT, M6	1							
62	1	119233-66511	STOPPER ASSY	1							
64	2	24341-000280	O-RING, 1AS28.0	1							

Remarks  
(1)SELECTION USE PARTS:CERTAIN THE CLASSIFICATION MARK, THEN PLACE YOUR ORDER(REFER TO ILLUSTRATION).

Fig.11. GOVERNOR



(A)=2TNE68-EFW  
(B)=  
(C)=

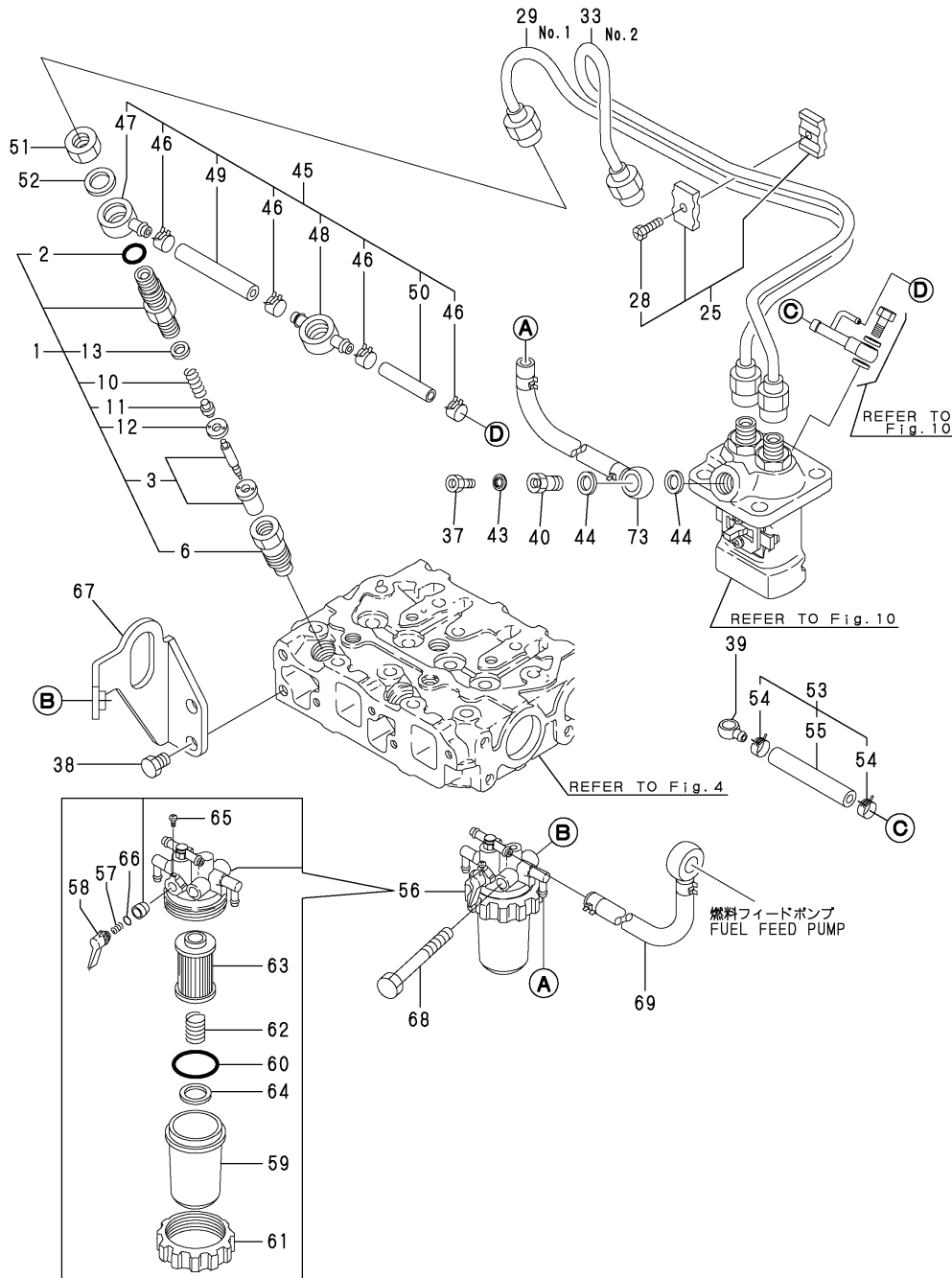
(D)=  
(E)=  
(F)=

No.	Lev.	Parts No.	Description	Q'ty						I	R
				(A)	(B)	(C)	(D)	(E)	(F)		
66	2	119620-01530	BOLT	1							
67	1	119600-66530	LIMITER ASSY, FUEL	1							
73	1	119654-66700	ANGLEICH ASSY	1							
105	1	26736-120002	NUT, M12	1							
106	1	121575-66830	SCREW	1							
107	1	119285-66600	NUT, CAP M6	1							
108	1	22360-040000	PIN, SNAP 4	1							
109	1	22360-060000	PIN, SNAP 6	1							
110	1	26106-060702	BOLT, M6X 70 PLATED	5							
111	1	26116-050102	BOLT, M5X 10 PLATED	3							
112	1	119266-61460	BOLT	1							
112-1	1	26106-050102	BOLT, M5X 10 PLATED	3							N
(A=E/#41926)											
113	1	26756-060002	NUT, LOCK M6	1							
114	1	22190-060003	SEAL WASER 6	1							
115	1	119285-66620	GASKET	1							
116	1	22190-120002	WASHER, SEAL 12	2							
117	1	121465-59950	BOLT, M6X16	1							
118	1	23414-120016	GASKET, 12X1.0	1							
120	1	129209-61960	CASE	1							W
(A=FROM 1ST)											
121	1	24311-000150	O-RING, 1AP15.0	1							
123	1	119285-66650	CAP, HIGH-IDLE	1							
124	1	129209-61970	PLATE	1							

Remarks

(1)SELECTION USE PARTS:CERTAIN THE CLASSIFICATION MARK, THEN PLACE YOUR ORDER(REFER TO ILLUSTRATION).

Fig.12. FUEL INJECTION SYSTEM



(A)=2TNE68-EFW  
(B)=  
(C)=

(D)=  
(E)=  
(F)=

No.	Lev.	Parts No.	Description	Q'ty						I	R
				(A)	(B)	(C)	(D)	(E)	(F)		
1	1	719255-53100	VALVE ASSY,INJECTION	2							
2	2	129155-61830	O-RING, S10	2							
3	2	119620-53000	VALVE ASSY,INJECTION	2							
6	2	119620-53080	NUT, NOZZLE	2							
10	2	119620-53120	SPRING, NOZZLE	2							
11	2	114250-53130	SEAT, SPRING	2							
12	2	119620-53140	SPACER, VALVE STOP	2							
13	2	114250-53400	SHIM SET	2							
25	1	119305-59120	RETAINER, PIPE	1							
28	2	129150-59131	BOLT, M4X14	1							
29	1	119309-59810	PIPE ASSY, INJECTION	1							
33	1	119309-59820	PIPE ASSY, INJECTION	1							
37	1	123482-01900	PLUG, M8-1.25	1							
38	1	26106-080142	BOLT, M8X 14 PLATED	2							
39	1	101304-59020	JOINT, PIPE 12	1							
40	1	119462-59190	BOLT ASSY, JOINT	1							
43	1	22190-080002	WASHER, SEAL 6	1							
44	1	22190-120002	WASHER, SEAL 12	2							
45	1	119520-59540	PIPE ASSY, RETURN	1							
46	2	124066-59100	CLIP, HOSE 8	4							
47	2	119260-59520	JOINT	1							
48	2	119260-59530	JOINT	1							
49	2	105025-59550	PIPE, FUEL RETURN	1							
50	2	119000-59560	PIPE, FUEL RETURN	1							
51	1	119620-59700	NUT, NOZZLE	2							
52	1	22190-140002	WASHER, SEAL 14	2							
53	1	129210-59080	PIPE ASSY, FUEL	1							
54	2	124766-59050	CLIP, HOSE 12	2							
55	2	129136-59110	PIPE, D13/7.5X270	1							
56	1	129053-55620	FILTER ASSY, FUEL	1							
57	2	104200-55330	SPRING, VALVE	1							
58	2	119810-55340	LEVER	1							
59	2	129107-55510	CUP, STRAINER	1							
60	2	102103-55520	O-RING	1							
61	2	110250-55610	RING, RETAINING	1							
62	2	121257-55720	SPRING	1							
63	2	119810-55650	ELEMENT	1							
64	2	121257-55731	FLOAT	1							
65	2	104200-55750	SCREW, M4	1							
66	2	24311-240100	O-RING, 1AP10A	1							
67	1	119325-55910	BRACKET, FILTER	1							
68	1	26014-080702	BOLT, M8X 70	1							
69	1	119244-59020	PIPE ASSY, FUEL	1							
73	1	119325-59030	PIPE ASSY, FUEL	1							



Fig.13. STARTING MOTOR

(A)=2TNE68-EFW

(B)=

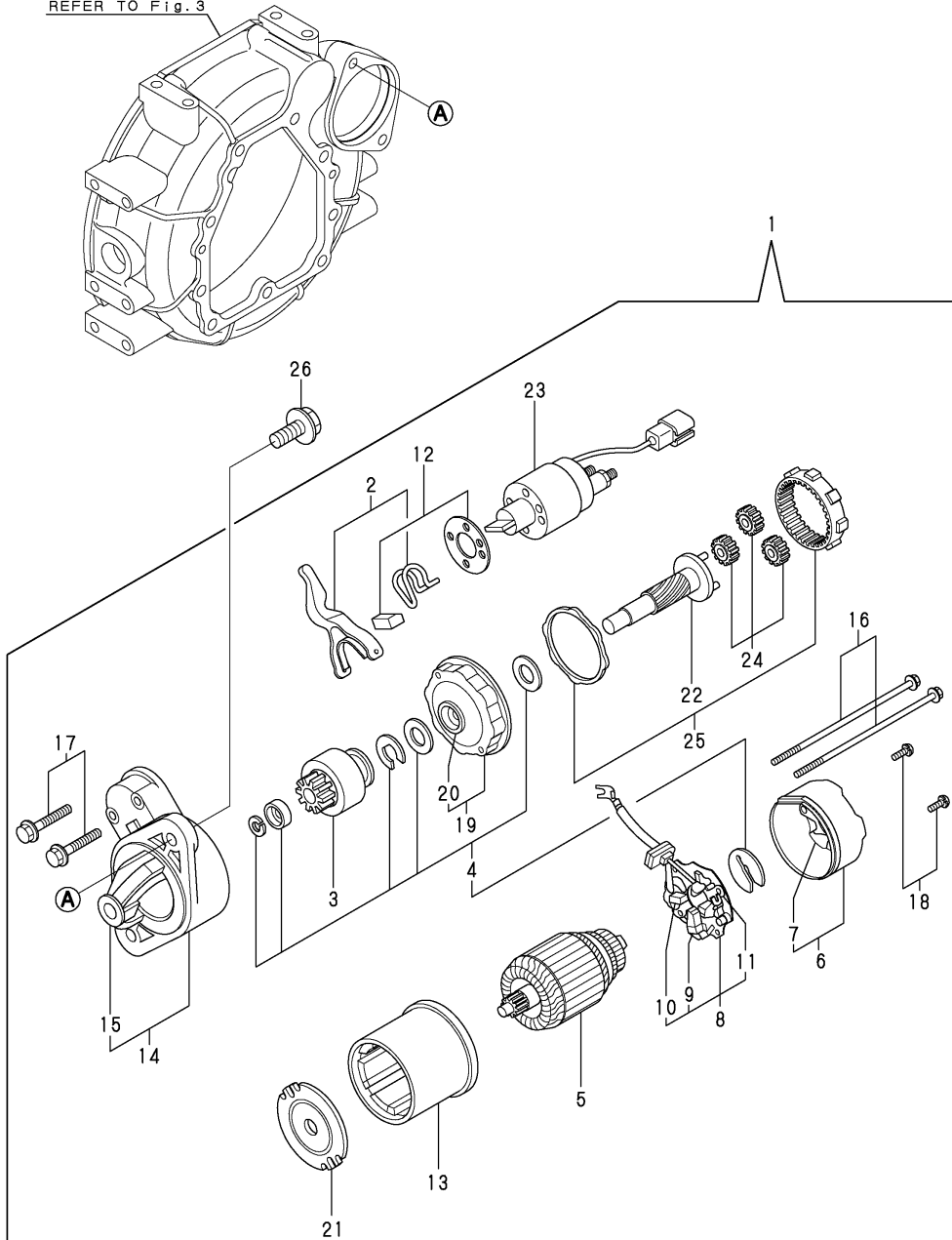
(C)=

(D)=

(E)=

(F)=

REFER TO Fig. 3

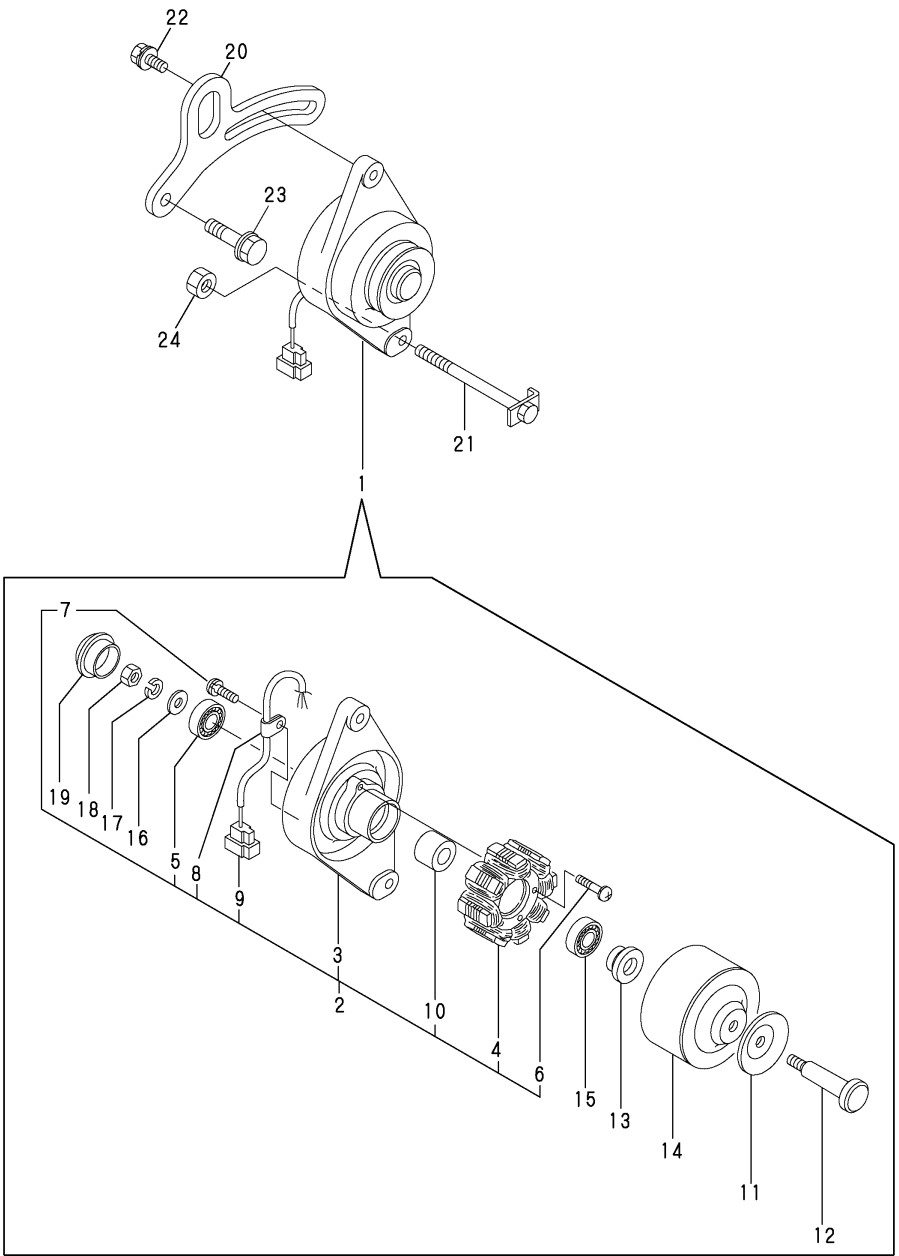


No.	Lev.	Parts No.	Description	Q'ty						I	R
				(A)	(B)	(C)	(D)	(E)	(F)		
1	1	119233-77010	STARTER ASSY	1							
2	2	129698-77270	LEVER SET, SHIFT	1							
3	2	119233-77660	PINION ASSY	1							
4	2	129698-77250	WASHER SET	1							
5	2	129698-77101	ARMATURE ASSY	1							
6	2	129698-77161	COVER ASSY	1							
7	3	129698-77170	BEARING	1							
8	2	129698-77120	HOLDER ASSY, BRUSH	1							
9	3	129698-77130	BRUSH	2							
10	3	129698-77140	BRUSH SET	1							
11	3	129698-77150	SPRING, BRUSH	4							
12	2	129698-77280	COVER KIT	1							
13	2	129698-77110	YOKE ASSY	1							
14	2	119233-77520	CASE ASSY, GEAR	1							
15	3	X2114535200	METAL, STARTER	1							
16	2	124195-77770	BOLT, THROUGH	2							
17	2	114371-79070	BOLT	2							
18	2	26022-040122	SCREW, M4X12	2							
19	2	129698-77180	BRACKET	1							
20	3	129698-77190	BRACKET	1							
21	2	129698-77210	BRACKET	1							
22	2	129698-77230	SHAFT	1							
23	2	129698-77020	SWITCH ASSY	1							
24	2	129698-77240	GEAR	3							
25	2	129698-77200	GEAR, INTERNAL	1							
26	1	26106-100252	BOLT, M10X 25 PLATED	2							

Fig.14. GENERATOR

(A)=2TNE68-EFW  
(B)=  
(C)=

(D)=  
(E)=  
(F)=



No.	Lev.	Parts No.	Description	Q'ty						I	R
				(A)	(B)	(C)	(D)	(E)	(F)		
1	1	119663-77200	DYNAMO	1							
2	2	X2A09922KA	PLATE ASSY	1							
3	3	X2A07071KA	PLATE, COIL	1							
4	3	X4A07023KC	STATOR ASSY	1							
5	3	24104-062010	BEARING, 6201UUC3	1							
6	3	XYSPS402400	SCREW	2							
7	3	XYSPS400800	SCREW	1							
8	3	XM069000000	CLAMP	1							
9	3	XM178780000	COUPLER	1							
10	3	XM329830000	COLLAR	1							
11	2	XM721740000	PULLEY	1							
12	2	X4A07130K01	SHAFT	1							
13	2	X4A04060K01	COLLAR	1							
14	2	X3A08344KB	FLYWHEEL	1							
15	2	24104-062010	BEARING, 6201UUC3	1							
16	2	XM860250000	WASHER	1							
17	2	XM219230000	WASHER	1							
18	2	XM863720000	NUT	1							
19	2	XM771870000	CAP	1							
20	1	119230-77330	ADJUSTER	1							
21	1	119325-77250	BOLT, M8X56	1							
22	1	119810-77340	BOLT, ADJUSTER	1							
23	1	26106-080202	BOLT, M8X 20 PLATED	1							
24	1	26306-080002	NUT, M8	1							

Fig.15. GASKET SET & TOOLS

(A)=2TNE68-EFW

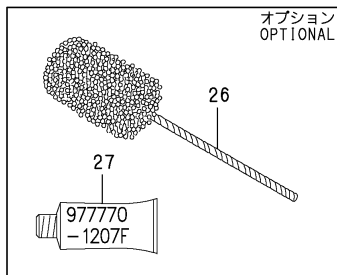
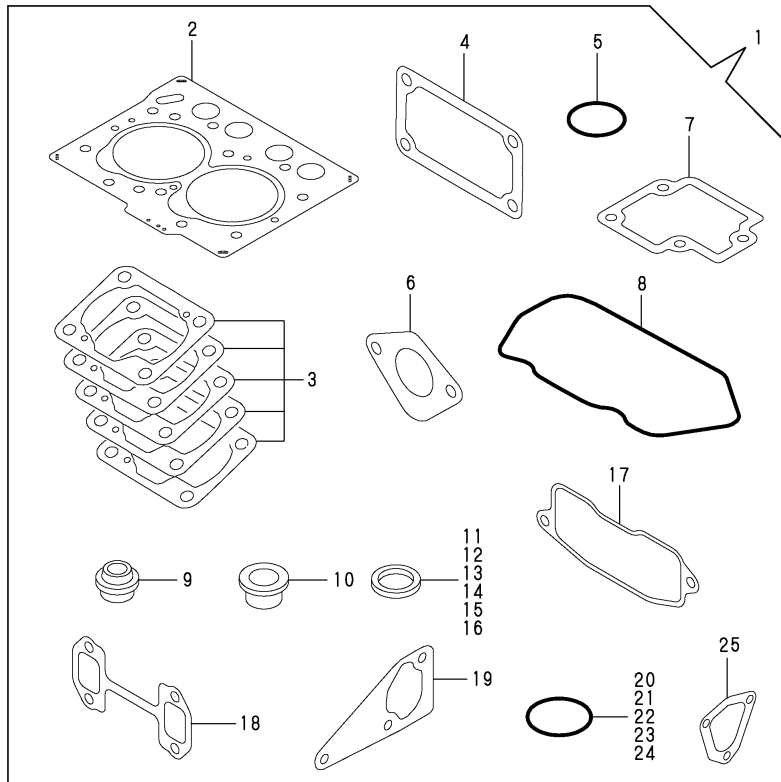
(B)=

(C)=

(D)=

(E)=

(F)=



No.	Lev.	Parts No.	Description	Q'ty						I	R
				(A)	(B)	(C)	(D)	(E)	(F)		
1	1	719305-92670	GASKET SET	1							1
2	2	119309-01330	GASKET, CYL. HEAD	1							
3	2	119305-01950	SHIM SET, ADJUSTING	1							
4	2	119660-01562	GASKET	1							
5	2	24311-000320	O-RING, 1AP32.0	2							
6	2	121520-01851	GASKET	1							
7	2	119305-03031	GASKET	1							
8	2	119305-11310	GASKET, BONNET	1							
9	2	119260-11340	SEAL, VALVE STEM	4							
10	2	119600-11450	PROTECTOR, NOZZLE	2							
11	2	119600-11460	GASKET, NOZZLE	4							
12	2	124465-44950	GASKET, 16	2							
13	2	22190-060003	SEAL WASER 6	2							
14	2	22190-120002	WASHER, SEAL 12	2							
15	2	22190-120002	WASHER, SEAL 12	2							
16	2	22190-160002	WASHER, SEAL 16	1							
17	2	119326-12111	GASKET, MANIFOLD	1							
18	2	119305-13110	GASKET	1							
19	2	119260-42021	GASKET, WATER PUMP	1							
20	2	119209-42140	O-RING, G 35	1							
21	2	24311-000120	O-RING, 1AP12.0	2							
22	2	24341-000240	O-RING, 1AS24.0	1							
23	2	119624-32040	O-RING, P12.0	2							
24	2	119209-35030	O-RING, P11	1							
25	2	119660-61071	GASKET	1							
26	1	129400-92400	HONE	1							1
27	1	977770-1207F	GASKET.LIQUID	1							1

Remarks  
(1)OPTIONAL

## Parts No. Index

Parts No.	Fig. No.	Ref. No.
101304-59020	12	39
102103-55520	12	60
104200-55330	12	57
104200-55750	12	65
104264-59030	2	34
105010-11230	4	23
		27
105025-59550	12	49
105425-01690	3	8
105546-51330	10	24
105582-59150	2	35
110250-55610	12	61
114250-11120	4	12
114250-11180	4	13
114250-39450	8	28
114250-53130	12	11
114250-53400	12	13
114371-79070	13	17
119000-59560	12	50
119131-18320	5	9
119209-35030	8	26
	15	24
119209-42140	9	20
	15	20
119209-42320	9	10
119225-35300	8	16
119225-51100	10	3
119225-51300	10	21
119230-01600	3	2
119230-44750	9	16
119230-77330	14	20
119232-61510	11	27
119232-61540	11	43
119233-66511	11	62
119233-77010	13	1
119233-77520	13	14
119233-77660	13	3
119244-59020	12	69
119245-66010	11	59
119256-49531	9	18
119260-01510	2	15
119260-01590	2	1
119260-02020	1	5
119260-02800	1	13
119260-02870	1	23
119260-02930	1	16
119260-11100	4	10
119260-11110	4	11
119260-11260	4	33
119260-11270	4	35

Parts No.	Fig. No.	Ref. No.
119260-11280	4	36
119260-11340	4	15
	15	9
119260-11370	4	16
119260-11800	4	18
119260-14100	6	6
119260-14200	6	1
119260-14400	6	2
119260-21200	7	4
119260-23910	7	29
119260-25100	6	10
119260-32000	8	1
119260-42003	9	1
119260-42004	9	1 -1
119260-42021	9	12
	15	19
119260-49801	9	19
119260-59520	12	47
119260-59530	12	48
119265-01250	1	9
119265-11260	4	34
119265-13800	5	10
119265-13810	5	8
119265-13840	5	7
119265-22300	7	24
119265-22500	7	18
119265-22601	7	16
119265-22930	7	35
119265-22950	7	37
119265-23100	7	26
119265-23200	7	30
119266-01200	1	21
119266-02410	1	19
119266-11390	4	46
119266-59501	10	46
119266-59570	10	47
119266-59580	10	48
119266-61460	11	112
119285-61120	11	11
119285-61130	11	12
119285-61140	11	13
119285-66080	11	51
119285-66600	11	107
119285-66620	11	115
119285-66650	11	123
119305-01490	2	13
119305-01760	3	6
119305-01950	2	21
	15	3
119305-03020	4	42

Parts No.	Fig. No.	Ref. No.
119305-03031	4	43
	15	7
119305-11200	4	21
119305-11240	4	30
119305-11310	4	45
	15	8
119305-12150	5	1
119305-13100	5	5
119305-13110	5	6
	15	18
119305-14210	6	16
119305-14580	6	3
119305-35170	8	15
119305-51500	10	30
119305-51530	10	32
119305-59120	12	25
119309-01330	1	22
	15	2
119309-21700	7	1
119309-59810	12	29
119309-59820	12	33
119325-01791	3	7
119325-11350	4	40
119325-21580	7	13
119325-21670	7	8
119325-34840	8	13
119325-34890	8	14
119325-55910	12	67
119325-59030	12	73
119325-77250	14	21
119326-12111	5	2
	15	17
119332-35080	8	25
119356-77820	4	52
119462-59190	12	40
119520-59540	12	45
119600-11450	4	19
	15	10
119600-11460	4	20
	15	11
119600-52021	2	29
119600-61300	11	4
119600-61400	11	5
119600-61541	11	44
119600-61900	11	49
119600-66530	11	67
119620-01530	11	66
119620-01620	3	13
119620-01750	3	4
119620-01800	2	3

Parts No.	Fig. No.	Ref. No.
119620-02450	6	4
119620-11350	4	38
119620-21500	7	12
119620-21941	7	10
119620-25912	6	13
119620-42350	9	14
119620-51170	10	6
119620-51180	10	7
119620-51190	10	8
119620-51250	10	9
119620-51340	10	25
119620-51350	10	26
119620-51370	10	27
119620-51450	10	28
119620-51510	10	31
119620-51640	10	33
119620-51650	10	34
119620-51660	10	36
119620-51670	10	35
119620-51680	10	37
119620-51700	10	38
119620-53000	12	3
119620-53080	12	6
119620-53120	12	10
119620-53140	12	12
119620-59700	12	51
119621-21680	7	9
119621-66051	11	60
119624-32040	2	5
	15	23
119632-61200	11	14
119632-61500	11	21 -1
119654-66700	11	73
119660-01551	2	18
119660-01562	2	19
	15	4
119660-01570	2	20
119660-01640	3	14
119660-01651	3	15
119660-01821	6	23
119660-01911	2	4
119660-25022	6	8
119660-25052	6	9
119660-25920	6	21
119660-25930	6	22
119660-32020	8	11
119660-61052	11	17
119660-61053	11	17 -1
119660-61054	11	17 -2
119660-61060	11	2

## Parts No. Index

Parts No.	Fig. No.	Ref. No.
119660-61071	11	3
	15	25
119660-61122	11	11 -1
119660-61141	11	12 -1
119660-61151	11	13 -1
119660-61300	11	9
119660-61341	11	10
119660-61460	11	18
119660-61590	11	26
119660-61651	11	45
119660-61901	11	50
119663-77200	14	1
119810-55340	12	58
119810-55650	12	63
119810-77340	14	22
121023-01550	2	31
121023-01551	2	31 -1
121120-01620	3	3
121250-44901	9	24
121257-55720	12	62
121257-55731	12	64
121450-01560	2	16
121450-42450	9	26
121465-59950	11	117
121520-01851	2	28
	15	6
121575-66830	11	106
123482-01900	12	37
124060-01050	1	4
124066-59100	12	46
124085-02220	3	16
124160-01751	2	11
	4	53
124160-11360	4	49
124195-77770	13	16
124465-44950	9	27
	15	12
124574-44761	9	25
124766-59050	12	54
124950-21600	7	15
129053-55620	12	56
129100-01580	3	1
	7	2
129100-61930	11	58
129107-55510	12	59
129136-59110	12	55
129150-35350	8	24
129150-59131	12	28
129155-51280	11	15
129155-61480	11	21

Parts No.	Fig. No.	Ref. No.
129155-61830	12	2
129155-77801	4	51
129156-61500	11	18 -1
129209-61960	11	120
129209-61970	11	124
129210-59080	12	53
129400-92400	15	26
129430-42280	9	15
129698-77020	13	23
129698-77101	13	5
129698-77110	13	13
129698-77120	13	8
129698-77130	13	9
129698-77140	13	10
129698-77150	13	11
129698-77161	13	6
129698-77170	13	7
129698-77180	13	19
129698-77190	13	20
129698-77200	13	25
129698-77210	13	21
129698-77230	13	22
129698-77240	13	24
129698-77250	13	4
129698-77270	13	2
129698-77280	13	12
171056-49120	9	23
174307-51460	10	29
174307-51700	11	28
194990-22050	2	26
22117-040000	11	46
22190-060003	11	114
	15	13
22190-080002	2	36
	10	49
	12	43
22190-120002	11	116
	12	44
	15	14
		15
22190-140002	12	52
22190-160002	3	10
	15	16
22242-000100	4	37
22242-000200	6	14
22252-000200	7	25
22272-000040	11	47
22322-030160	11	54
22351-030010	7	11
22351-030012	7	7

Parts No.	Fig. No.	Ref. No.
22351-030014	11	48
22351-040010	2	17
	11	55
22351-060012	4	17
22360-040000	11	108
22360-060000	11	109
22512-040120	6	7
		19
	7	5
22857-500100	4	48
23065-120800	4	1
23414-120016	11	118
23876-020000	4	8
24101-062034	6	26
24102-063034	6	20
24104-062010	14	5
		15
24311-000120	4	50
	15	21
24311-000150	11	121
24311-000320	2	12
	4	54
	15	5
24311-240100	12	66
24341-000070	11	56
24341-000240	2	32
	15	22
24341-000280	11	64
25157-003300	9	15 -1
26014-080702	12	68
26022-040082	10	44
26022-040122	13	18
26033-040102	10	45
26106-050102	11	112 -1
26106-060102	3	11
	8	27 -1
	11	57
26106-060122	1	20
	6	15
	8	27
26106-060162	2	6
		30
		33
	5	3
	6	25
	9	21
26106-060202	9	17
26106-060222	3	17
26106-060282	5	4
26106-060302	2	7

Parts No.	Fig. No.	Ref. No.
26106-060402	2	8
26106-060452	3	12
26106-060502	2	9
26106-060552	9	22
26106-060652	2	10
26106-060702	11	110
26106-080142	12	38
26106-080202	14	23
26106-080452	9	13
26106-100252	13	26
26116-050102	11	111
26206-100252	3	5
26306-080002	4	39
	14	24
26366-060002	2	27
26366-080002	11	1
26450-060202	8	12
26587-080102	6	24
26736-120002	11	105
26756-060002	11	113
26856-060002	4	25
		29
26857-060002	11	61
27221-050080	4	9
27221-060100	1	8
27241-100000	1	10
27241-250000	1	11
27241-300000	1	12
27241-350000	4	7
27310-055001	4	14
719255-53100	12	1
719260-11650	4	22
719260-11660	4	26
719260-23600	7	31
719260-23610	7	33
719305-51100	10	1
719305-92670	15	1
719325-01560	1	1
719325-11700	4	2
977770-1207F	15	27
X2114535200	13	15
X2A07071KA	14	3
X2A09922KA	14	2
X3A08344KB	14	14
X4A04060K01	14	13
X4A07023KC	14	4
X4A07130K01	14	12
XM069000000	14	8
XM178780000	14	9
XM219230000	14	17

# Parts No. Index

Parts No.	Fig. No.	Ref. No.
XM329830000	14	10
XM721740000	14	11
XM771870000	14	19
XM860250000	14	16
XM863720000	14	18
XYSPS400800	14	7
XYSPS402400	14	6

Parts No.	Fig. No.	Ref. No.
-----------	----------	----------

Parts No.	Fig. No.	Ref. No.
-----------	----------	----------

Parts No.	Fig. No.	Ref. No.
-----------	----------	----------