

0CB10-M66301EN

## Directions for the Parts Catalog.

1. This Parts Catalog shows both standard and optional parts.
2. Parts may change without prior notice.
3. The following is an example of the Parts Catalog format.

REF.	LEV.	PARTS NO.	DESCRIPTION	Q'TY						I	R
				(A)	(B)	(C)	(D)	(E)	(F)		
1	1	729595-51390	FUEL INJECTION PUMP	1	1	1	1	1			1
1-1	1	729595-51391	FUEL INJECTION PUMP	1	1	1	1	1		N	1
		(A=E00185) (B=E00200)									
3	2	26022-060162	SCREW M 6X 16	9	9	9	9	9			
3-1	2	26022-060162	SCREW M 6X 16	4	4	4	4	4		K	
		(A=E00156) (B=E00156) (C=E00156) (D=E00156) (E=E00156)									
4	2	129470-51040	CAMSHAFT	1	1	1	1	1			
5	2	122710-51050	BEARING, ROLLER	2	2	2	2	2			
6	2	129470-51060	RETAINER	1	1	1	1	1			

Remarks
(1) BOOST COMPEMSATOR TYPE. OPTIONAL PART, TO E00155,(4JH-DT, 4JH-DTZ

### ① Ref. No.

The Ref. No. listed may not be in accordance with the illustration Ref. No.

(Ex.) Illustration No.

List Ref No.

1

1

(Before change) → 1-1 (After change)

For interchangeable symbols N, R and K, illustrations for new parts may be abbreviated.

### ② Lev. (Level)

Level indication

The numbers below indicate the level of relativity towards the main part.

1 ----- Main parts (Assembly parts)

2 ----- Sub component included in " 1 ".

3 ----- Sub component included in " 2 ".

Note) Parts that are not for sale are partially illustrated but not listed.

### ③ Interchangeability Symbol

When a part change takes place, one of the following interchangeability symbols is indicated beside the part.

Symbol	Interchangeability	Contents note
N	Old $\begin{matrix} \leftarrow \text{Yes} \\ \text{No} \rightarrow \end{matrix}$ New	New Part is interchangeable for Old Part but Old Part is not interchangeable for New Part.
Q	Old $\begin{matrix} \leftarrow \text{No} \\ \text{Yes} \rightarrow \end{matrix}$ New	New Part is not interchangeable for Old Part but Old Part is interchangeable for New Part.
R	Old $\begin{matrix} \leftarrow \text{Yes} \\ \text{Yes} \rightarrow \end{matrix}$ New	New/ Old Parts are both interchangeable.
S	Old $\begin{matrix} \leftarrow \text{No} \\ \text{No} \rightarrow \end{matrix}$ New	New/ Old Parts are both not interchangeable.
W		Part newly added.
Z		Part discontinued.
F		Not interchangeable by a single part but interchangeable together with related parts.
K		Changes only for used parts quantities.

### ④ Effective Machine No.

When a part changes, the effective Machine No. will be indicated in the (A)-(F) column.

Product Symbol	Product No.	Product Symbol	Product No.
C	Clutch No. Compressor No.	F	Machine No. (Agricultural Equip.)
D	Drive No.	M	Machine No.
E	Engine No.		

Note 1) A date may follow the symbol. (Ex.) 1996.01

Note 2) "XXXXX" and "ZZZZZ" are for parts that could not be predicted or for engine models that could not be identified.

Note 3) (A=E00185) is the E (Engine Serial Number) for the column (A) model (in this case 4JH-DT) after the parts design change.

### ⑤ Remarks

Figures or alphabets (symbols) are entered in the remarks column.

The comments (remarks) on parts that are indicated at the bottom of the illustration are the same symbols as those stated above.

# Contents

OCB10-M66301

Fig. No.    Fig. Name  
ENGINE SECTION 2TNE68-EBVA

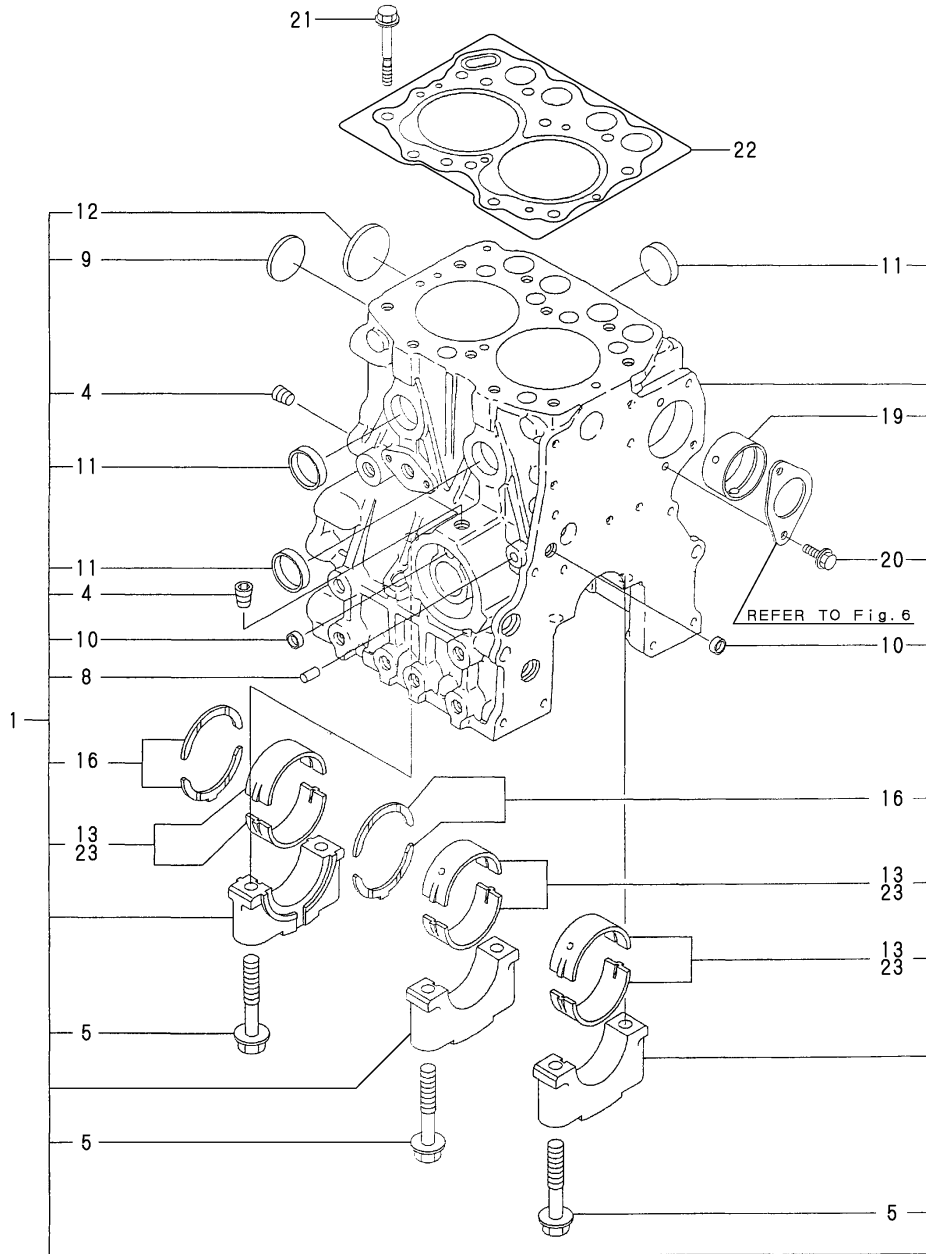
Fig. No.    Fig. Name

1. CYLINDER BLOCK
2. GEAR HOUSING
3. FLYWHEEL HOUSING & L.O SUMP
4. CYLINDER HEAD & BONNET
5. SUCTION & EXHAUST MANIFOLD
6. CAMSHAFT & DRIVING GEAR
7. CRANKSHAFT & PISTON
8. LUB.OIL SYSTEM
9. COOLING WATER SYSTEM
10. FUEL INJECTION DEVICE
11. GOVERNOR
12. FUEL INJECTION SYSTEM
13. STARTING MOTOR
14. GENERATOR
15. GASKET SET & TOOLS

Fig.1. CYLINDER BLOCK

(A)=2TNE68-EBVA  
(B)=  
(C)=

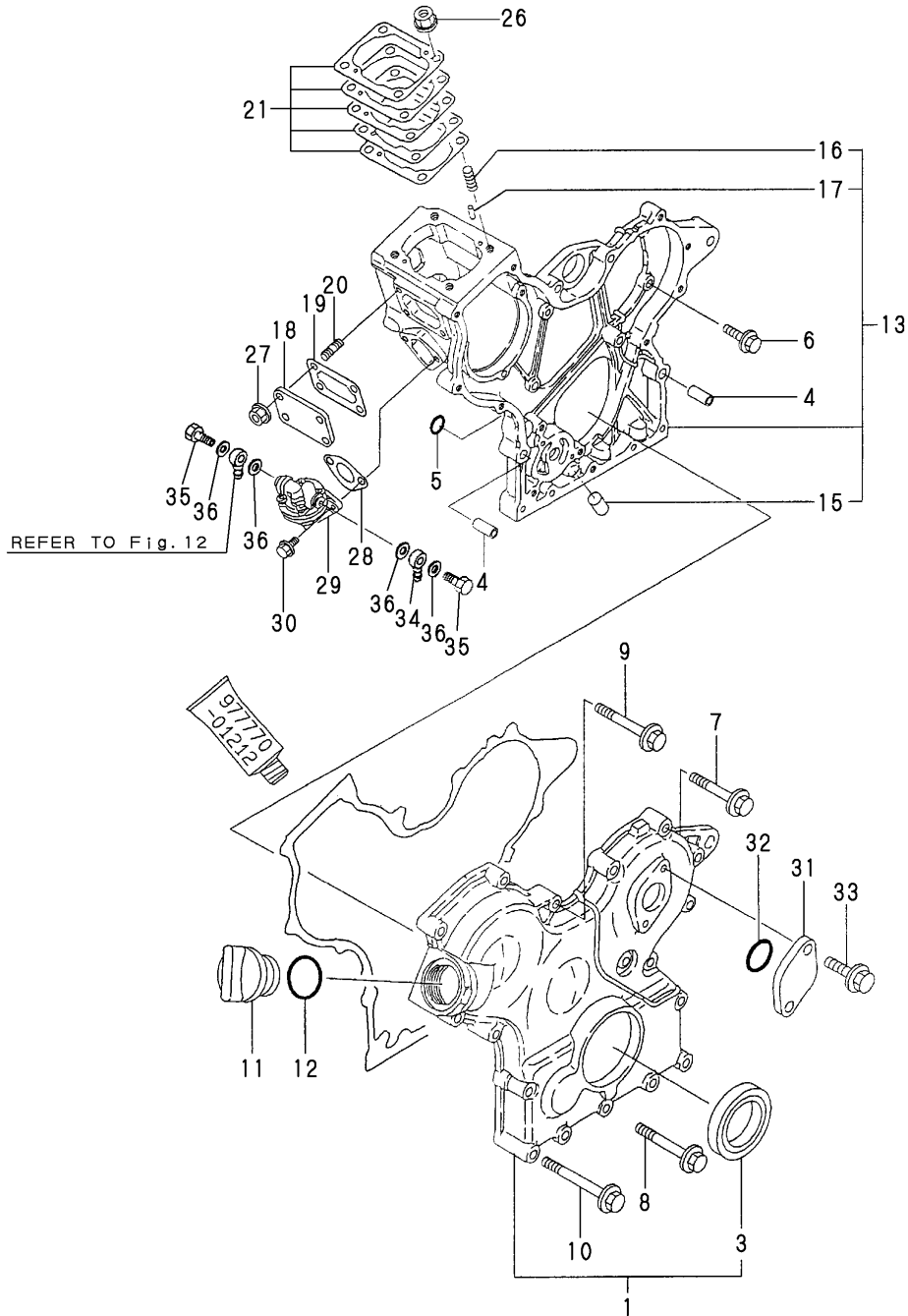
(D)=  
(E)=  
(F)=



No.	Lev.	Parts No.	Description	Q'ty						I	R	
				(A)	(B)	(C)	(D)	(E)	(F)			
1	1	719325-01560	BLOCK ASSY, CYLINDER	1								
4	3	124060-01050	PLUG, PT1/8	2								
5	3	119260-02020	BOLT, METAL CAP	6								
8	3	27221-060100	PLUG, 6X10	1								
9	3	119265-01250	PLUG, 40	1								
10	3	27241-100000	PLUG, 10	2								
11	3	27241-250000	PLUG, 25	3								
12	3	27241-300000	PLUG 30	1								
13	2	119260-02800	BEARING, MAIN	3								
16	2	119260-02930	BEARING, THRUST	2								
19	2	119266-02410	BUSH	1								
20	2	26106-060122	BOLT, M6X 12 PLATED	2								
21	1	119266-01200	BOLT, HEAD	10								
22	1	119309-01330	GASKET, CYL. HEAD	1								
23	1	119260-02870	BEARING, 0.25 US	3								1

Remarks  
(1) UNDER SIZED (U.S.=0.25) PART.

Fig.2. GEAR HOUSING

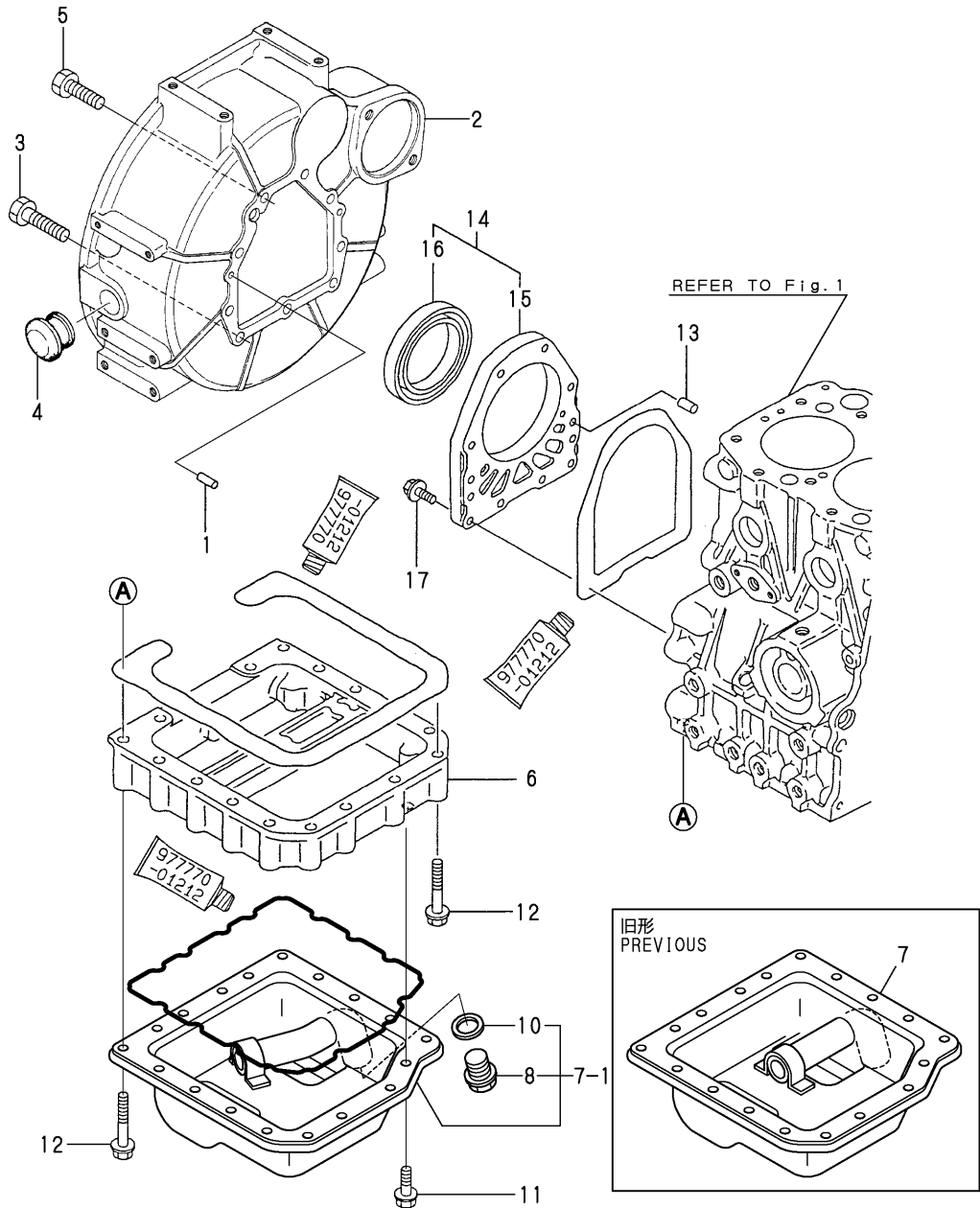


(A)=2TNE68-EBVA  
(B)=  
(C)=

(D)=  
(E)=  
(F)=

No.	Lev.	Parts No.	Description	Q'ty						I	R
				(A)	(B)	(C)	(D)	(E)	(F)		
1	1	119260-01590	COVER ASSY,GEAR CASE	1							
3	2	119620-01800	SEAL, OIL	1							
4	1	119660-01911	PIPE, KNOCK	4							
5	1	119624-32040	O-RING, P12.0	2							
6	1	26106-060162	BOLT, M6X 16 PLATED	5							
7	1	26106-060302	BOLT, M6X 30 PLATED	5							
8	1	26106-060402	BOLT, M6X 40 PLATED	3							
9	1	26106-060502	BOLT, M6X 50 PLATED	4							
10	1	26106-060652	BOLT, M6X 65 PLATED	6							
11	1	124160-01751	COVER, FILLER	1							
12	1	24311-000320	O-RING, 1AP32.0	1							
13	1	119305-01490	CASE ASSY, GEAR	1							
15	2	119260-01510	PLUG	1							
16	2	121450-01560	STUD, M8X22	4							
17	2	22351-040010	PIN, SPRING 4.0X10	2							
18	1	119660-01551	COVER	1							
19	1	119660-01562	GASKET	1							
20	1	119660-01570	STUD, M6X12	4							
21	1	119305-01950	SHIM SET, ADJUSTING	1							
26	1	194990-22050	NUT, M8	4							
27	1	26366-060002	NUT, M6	4							
28	1	121520-01851	GASKET	1							
29	1	119600-52021	PUMP ASSY, FUEL FEED	1							
30	1	26106-060162	BOLT, M6X 16 PLATED	2							
31	1	121023-01550	COVER	1							
32	1	24341-000240	O-RING, 1AS24.0	1							
33	1	26106-060162	BOLT, M6X 16 PLATED	2							
34	1	104264-59030	JOINT, PIPE 8	1							
35	1	105582-59150	BOLT, PIPE JOINT	2							
36	1	22190-080002	WASHER, SEAL 6	4							

Fig.3. FLYWHEEL HOUSING & L.O SUMP



(A)=2TNE68-EBVA  
(B)=  
(C)=

(D)=  
(E)=  
(F)=

No.	Lev.	Parts No.	Description	Q'ty						I	R
				(A)	(B)	(C)	(D)	(E)	(F)		
1	1	129100-01580	PIN, M8X16	2							
2	1	119230-01600	HOUSING, FLYWHEEL	1							
3	1	121120-01620	BOLT, M10X28	3							
4	1	119620-01750	CAP	1							
5	1	26206-100252	BOLT, M10X 25 PLATED	6							
6	1	119305-01760	SPACER, OIL SUMP	1							
7	1	119325-01790	SUMP ASSY, OIL	1							
7-1	1	119325-01791	SUMP ASSY, OIL	1							N
(A=E/#32653)											
8	2	105425-01690	PLUG, 16	1							
10	2	22190-160002	WASHER, SEAL 16	1							
11	1	26106-060102	BOLT, M6X 10 PLATED	3							
12	1	26106-060452	BOLT, M6X 45 PLATED	16							
13	1	119620-01620	PIN, M6X10	2							
14	1	119660-01640	CASE ASSY, OIL SEAL	1							
15	2	119660-01651	CASE, OIL SEAL	1							
16	2	124085-02220	SEAL, OIL	1							
17	1	26106-060222	BOLT, M6X 22 PLATED	10							

Fig.4. CYLINDER HEAD & BONNET

(A)=2TNE68-EBVA

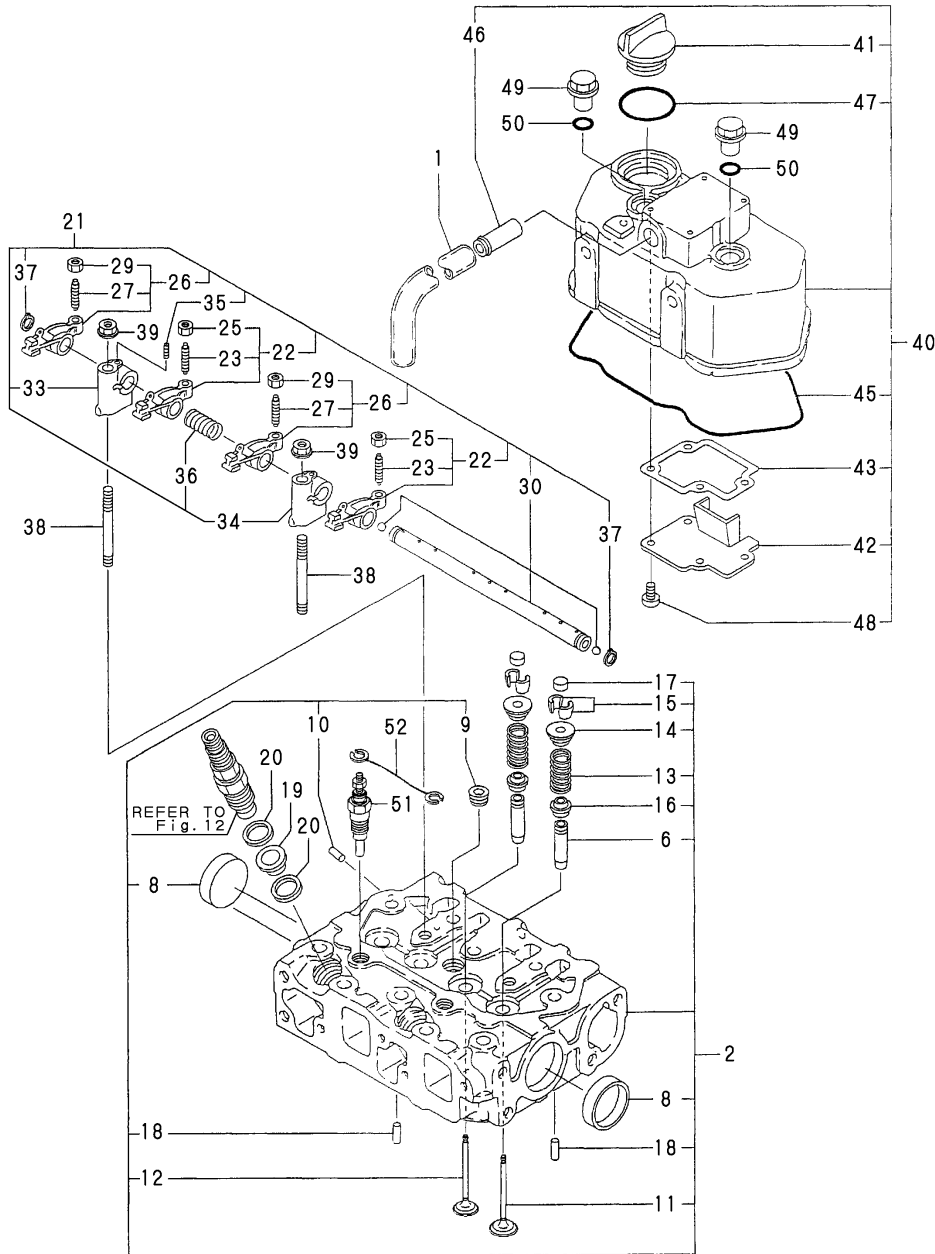
(B)=

(C)=

(D)=

(E)=

(F)=



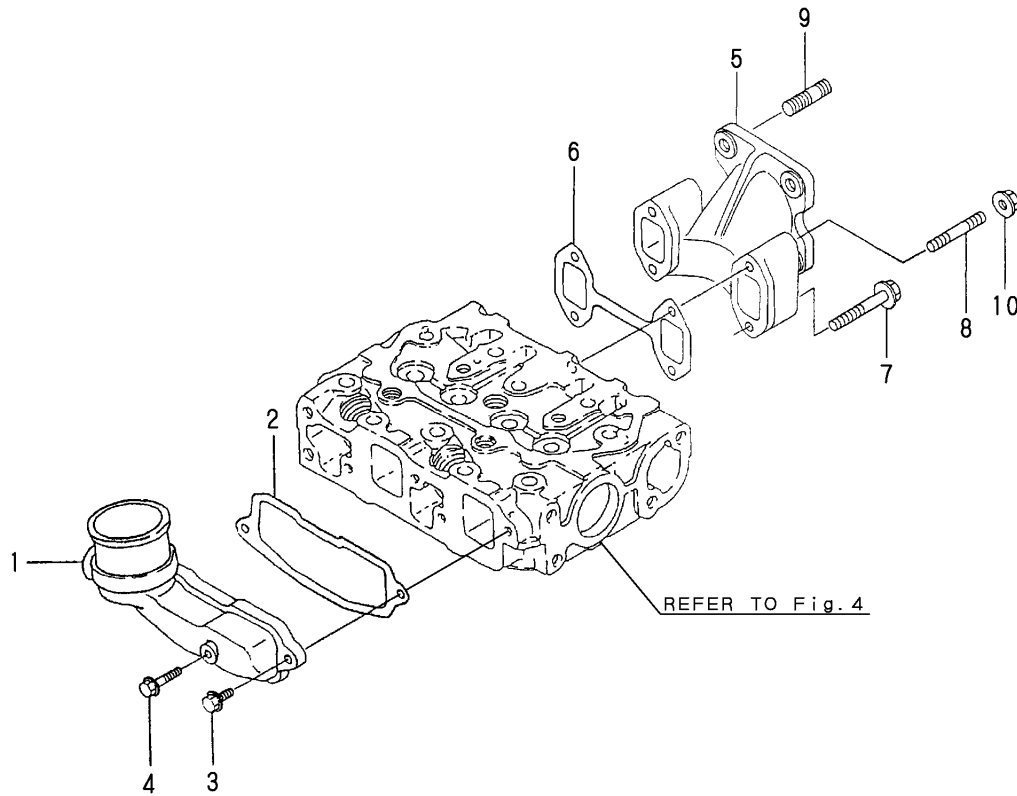
No.	Lev.	Parts No.	Description	Q'ty						I	R
				(A)	(B)	(C)	(D)	(E)	(F)		
1	1	23065-120800	PIPE, 12X 800	1							
2	1	719325-11700	HEAD ASSY, CYLINDER	1							
6	3	119260-11800	GUIDE, VALVE	4							1
8	3	27241-350000	PLUG, 35	2							
9	3	23876-020000	PLUG, R02	1							
10	3	27221-050080	PLUG, 5X 8	1							
11	2	119260-11100	VALVE, INTAKE	2							
12	2	119260-11110	VALVE, EXHAUST	2							
13	2	114250-11120	SPRING, VALVE	4							
14	2	114250-11180	RETAINER, SPRING	4							
15	2	27310-055001	COTTER, 5.5	4							
16	2	119260-11340	SEAL, VALVE STEM	4							
17	2	119260-11370	CAP, VALVE	4							
18	2	22351-060012	PIN, SPRING 6.0X12	2							
19	1	119600-11450	PROTECTOR, NOZZLE	2							
20	1	119600-11460	GASKET, NOZZLE	4							
21	1	119305-11200	SUPPORT ASSY, ARM	1							
22	2	719260-11650	ARM ASSY, ROCKER	2							
23	3	105010-11230	SCREW, VALVE ADJUST	2							
25	3	26856-060002	NUT, M6	2							
26	2	719260-11660	ARM ASSY, ROCKER	2							
27	3	105010-11230	SCREW, VALVE ADJUST	2							
29	3	26856-060002	NUT, M6	2							
30	2	119305-11240	SHAFT ASSY, ROCKER	1							
33	2	119260-11260	SUPPORT, ROCKER ARM	1							
34	2	119265-11260	SUPPORT, ROCKER ARM	1							
35	2	119260-11270	SCREW	1							
36	2	119260-11280	SPRING	1							
37	2	22242-000100	RING, 10	2							
38	1	119620-11350	STUD	2							
39	1	26306-080002	NUT, M8	2							
40	1	119325-11350	BONNET ASSY, HEAD	1							
41	2	124160-01751	COVER, FILLER	1							
42	2	119305-03020	PLATE, SHELTER	1							
43	2	119305-03031	GASKET	1							
45	2	119305-11310	GASKET, BONNET	1							
46	2	119266-11390	JOINT	1							
47	2	24311-000320	O-RING, 1AP32.0	1							
48	2	22857-500100	SCREW, 5X10	4							
49	1	124160-11360	KNOB	2							
50	1	24311-000120	O-RING, 1AP12.0	2							
51	1	129155-77801	PLUG, GLOW	2							
52	1	119356-77820	CONNECTOR, GLOW PLUG	1							

Remarks

(1)REPAIR PART

N:Old  $\begin{matrix} \leftarrow \text{Yes} \\ \text{No} \end{matrix}$  New, Q:Old  $\begin{matrix} \leftarrow \text{No} \\ \text{Yes} \end{matrix}$  New, R:Old  $\begin{matrix} \leftarrow \text{Yes} \\ \text{Yes} \end{matrix}$  New, S:Old  $\begin{matrix} \leftarrow \text{No} \\ \text{No} \end{matrix}$  New, W:Add, Z:Discontinued, F:Interchangeable by set, K:Q'ty Change

Fig.5. SUCTION & EXHAUST MANIFOLD



(A)=2TNE68-EBVA  
(B)=  
(C)=

(D)=  
(E)=  
(F)=

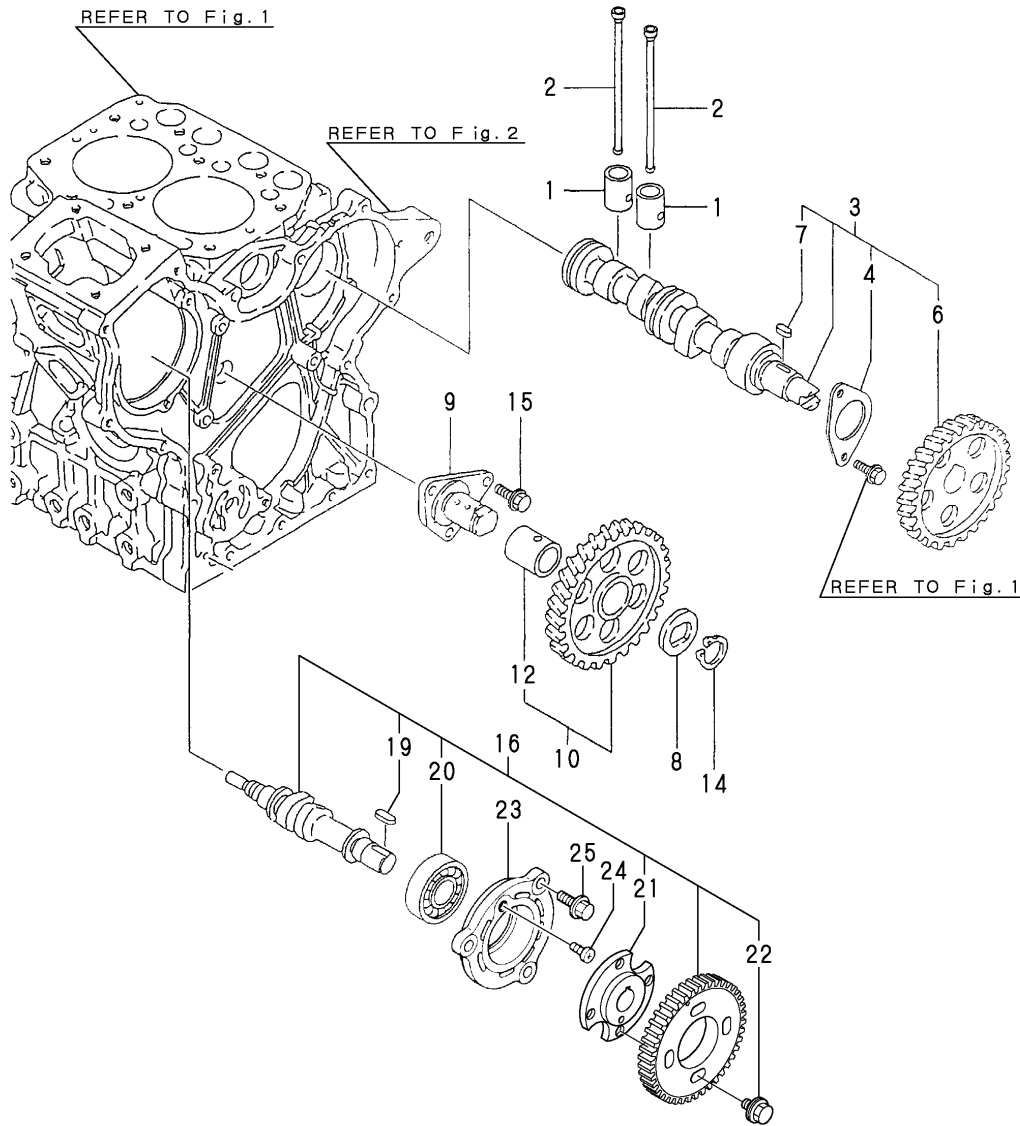
No.	Lev.	Parts No.	Description	Q'ty						I	R
				(A)	(B)	(C)	(D)	(E)	(F)		
1	1	119305-12150	MANIFOLD, AIR INTAKE	1							
2	1	119326-12111	GASKET, MANIFOLD	1							
3	1	26106-060162	BOLT, M6X 16 PLATED	2							
4	1	26106-060282	BOLT, M6X 28 PLATED	1							
5	1	119305-13100	MANIFOLD, EXHAUST	1							
6	1	119305-13110	GASKET	1							
7	1	26106-060402	BOLT, M6X 40 PLATED	2							
7-1	1	119265-13840	BOLT, M6X40	2							N
(A=E/#29782)											
8	1	26216-060402	STUD, M6X 40	2							
8-1	1	119265-13810	STUD, M6X40	2							N
(A=E/#29782)											
9	1	119131-18320	STUD, M8X22	4							
10	1	26366-060002	NUT, M6	2							
10-1	1	119265-13800	NUT, M6	2							N
(A=E/#29782)											



Fig.6. CAMSHAFT & DRIVING GEAR

(A)=2TNE68-EBVA  
(B)=  
(C)=

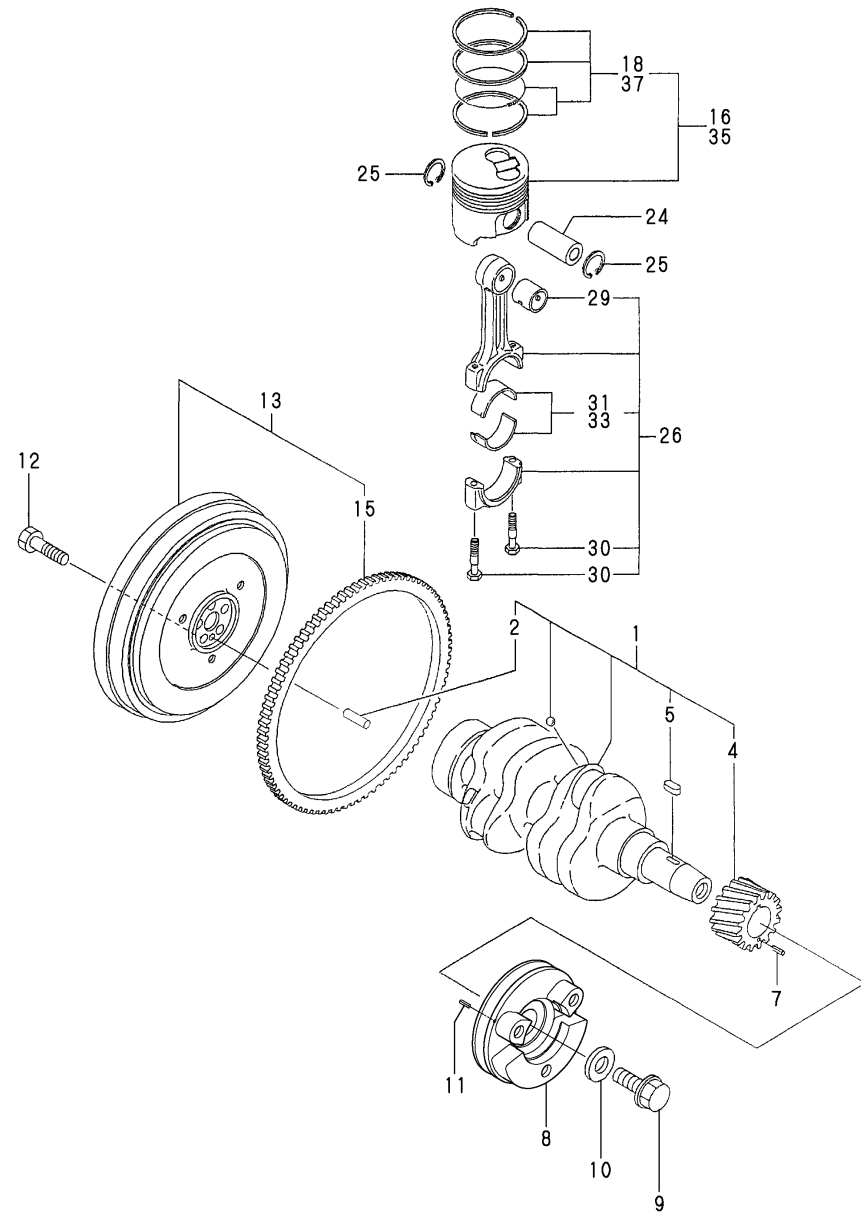
(D)=  
(E)=  
(F)=



No.	Lev.	Parts No.	Description	Q'ty						I	R
				(A)	(B)	(C)	(D)	(E)	(F)		
1	1	119260-14200	TAPPET	4							
2	1	119260-14400	ROD, PUSH	4							
3	1	119305-14580	CAMSHAFT ASSY	1							
4	2	119620-02450	BEARING, THRUST	1							
6	2	119260-14100	GEAR, CAMSHAFT	1							
7	2	22512-040120	KEY, 4X 12	1							
8	1	119660-25022	RETAINER	1							
9	1	119660-25052	SHAFT, IDLE	1							
10	1	119260-25100	GEAR ASSY, IDLE	1							
12	2	119620-25912	BUSH	1							1
14	1	22242-000200	RING, 20	1							
15	1	26106-060122	BOLT, M6X 12 PLATED	3							
16	1	119305-14210	CAM ASSY	1							
19	2	22512-040120	KEY, 4X 12	1							
20	2	24102-063034	BEARING, BALL 6303U	1							
21	2	119660-25920	FLANGE	1							
22	2	119660-25930	BOLT	4							
23	1	119660-01821	BEARING, FUEL CAM	1							
24	1	26587-080102	SCREW, M8X10	1							
25	1	26106-060162	BOLT, M6X 16 PLATED	3							

Remarks  
(1)REPAIR PART

Fig.7. CRANKSHAFT & PISTON



(A)=2TNE68-EBVA  
(B)=  
(C)=

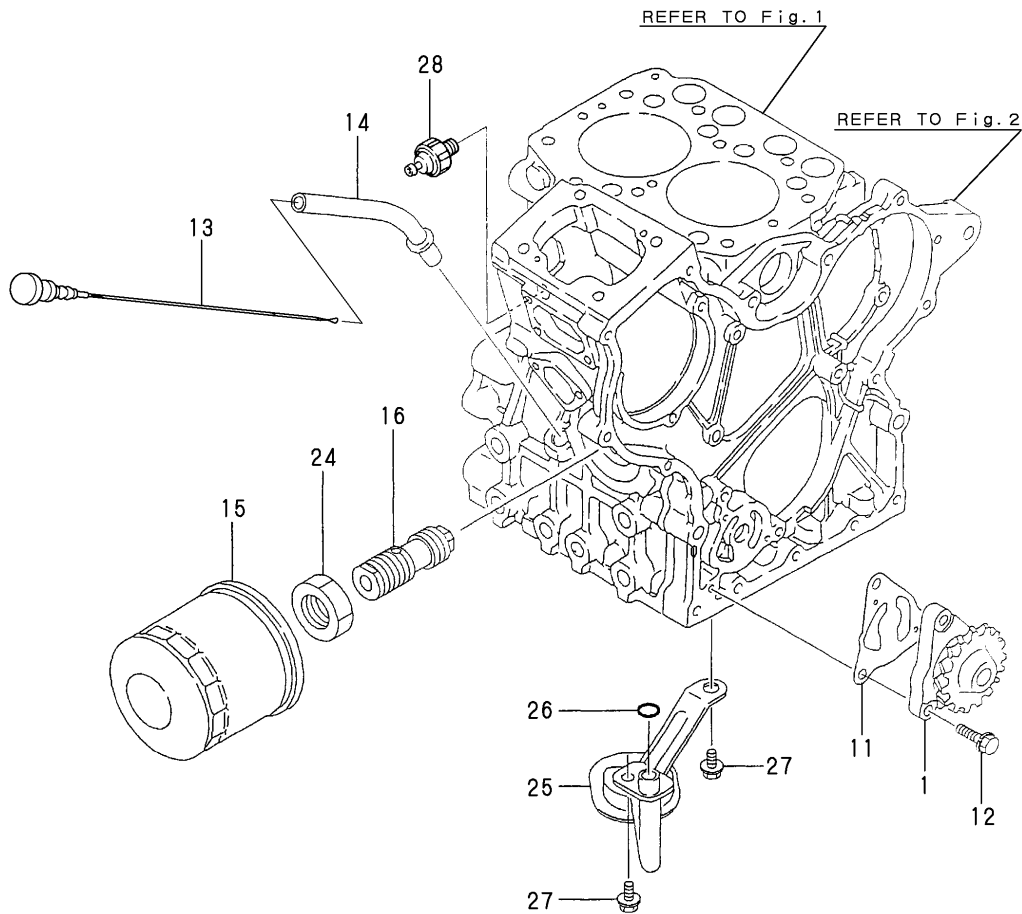
(D)=  
(E)=  
(F)=

No.	Lev.	Parts No.	Description	Q'ty						I	R
				(A)	(B)	(C)	(D)	(E)	(F)		
1	1	119309-21700	CRANKSHAFT ASSY	1							
2	2	129100-01580	PIN, M8X16	1							
4	2	119260-21200	GEAR, CRANKSHAFT	1							
5	2	22512-040120	KEY, 4X 12	1							
7	1	22351-030012	PIN, SPRING 3.0X12	1							
8	1	119325-21670	V-PULLEY	1							
9	1	119621-21680	BOLT, FLANGE 12X1.25	1							
10	1	119620-21941	WASHER	1							
11	1	22351-030010	PIN, SPRING 3.0X10	1							
12	1	119620-21500	BOLT, FLYWHEEL	5							
13	1	119325-21580	FLYWHEEL ASSY	1							
15	2	124950-21600	GEAR, RING	1							
16	1	119265-22601	PISTON ASSY	2							
18	2	119265-22500	RING SET, PISTON	2							
24	1	119265-22300	PIN, PISTON	2							
25	1	22252-000200	RING, 20	4							
26	1	119265-23100	ROD ASSY, CONNECTING	2							
29	2	119260-23910	BEARING, PISTON PIN	2							1
30	2	119265-23200	BOLT, CONNECTING ROD	4							
31	2	719260-23600	BEARING, CRANK PIN	2							
33	1	719260-23610	BEARING ASSY, 0.25	2							2
35	1	119265-22930	PISTON ASSY, 0.25 OS	2							3
37	2	119265-22950	RING SET, 0.25 OS	2							3

Remarks

- (1)REPAIR PART
- (2)UNDER SIZED(U.S.=0.25)PART.
- (3)OVER SIZED(O.S.=0.25)PART.

Fig.8. LUB.OIL SYSTEM



(A)=2TNE68-EBVA  
(B)=  
(C)=

(D)=  
(E)=  
(F)=

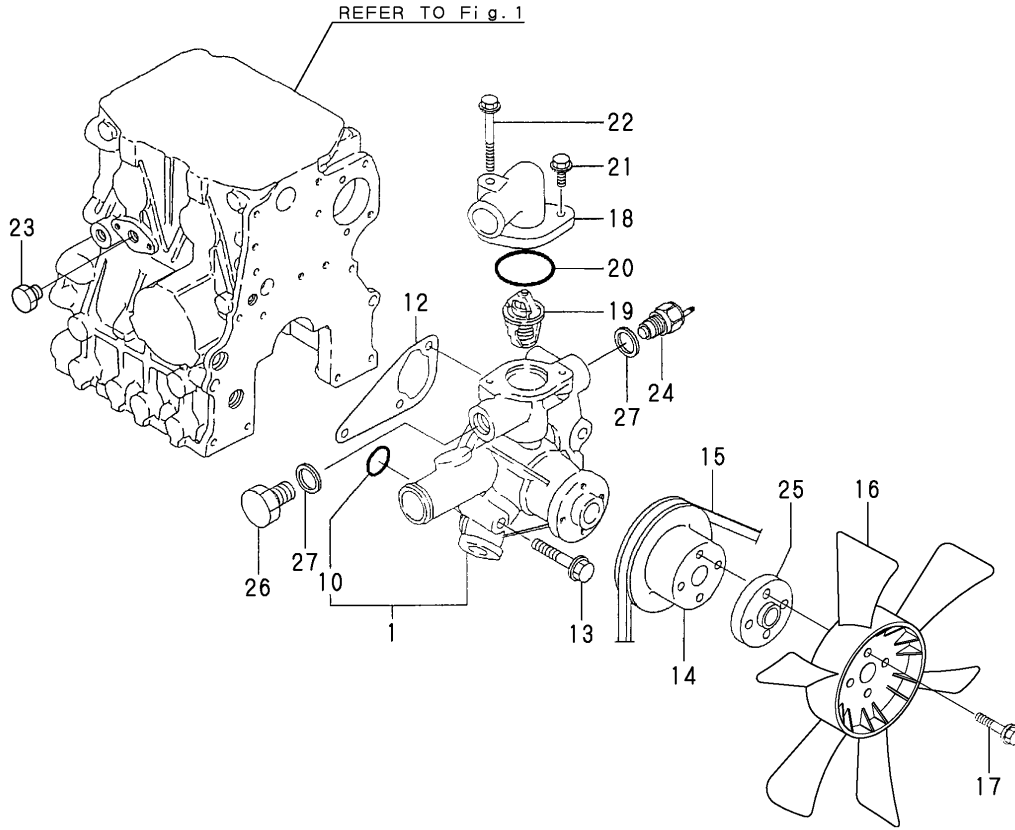
No.	Lev.	Parts No.	Description	Qty						I	R
				(A)	(B)	(C)	(D)	(E)	(F)		
1	1	119260-32000	PUMP ASSY, OIL	1							
11	1	119660-32020	GASKET, PUMP	1							
12	1	26450-060202	BOLT, M6X 20	3							
13	1	119325-34840	DIPSTICK, OIL	1							
14	1	119325-34890	GUIDE, DIPSTICK	1							
15	1	119305-35170	FILTER ASSY, D68XL65	1							1
16	1	119225-35300	VALVE ASSY	1							
24	1	129150-35350	NUT	1							
25	1	119332-35080	PIPE ASSY, OIL INLET	1							
26	1	119209-35030	O-RING, P11	1							
27	1	26106-060122	BOLT, M6X 12 PLATED	2							
28	1	114250-39450	SWITCH, 0.5KG	1							

Remarks  
(1) REPAIR PART.

Fig.9. COOLING WATER SYSTEM

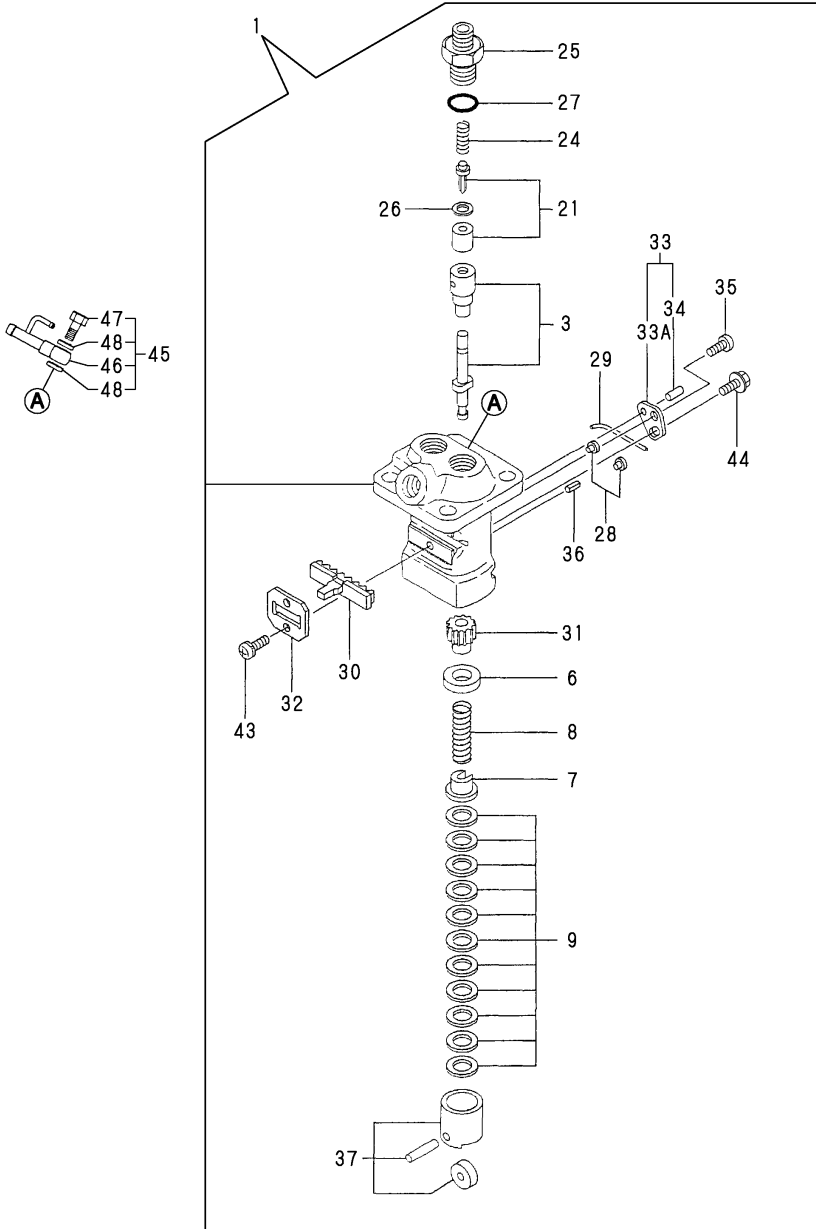
(A)=2TNE68-EBVA  
(B)=  
(C)=

(D)=  
(E)=  
(F)=



No.	Lev.	Parts No.	Description	Q'ty						I	R
				(A)	(B)	(C)	(D)	(E)	(F)		
1	1	119260-42002	PUMP ASSY, WATER	1							
1-1	1	119260-42003	PUMP ASSY, WATER	1							R
(A=E/#25945)											
1-2	1	119260-42004	PUMP ASSY, WATER	1							R
(A=E/#37808)											
10	2	119225-42320	O-RING	1							
10-1	2	119209-42320	O-RING, P21 EPDM	1							N
(A=E/#25945)											
12	1	119260-42021	GASKET, WATER PUMP	1							
13	1	26106-080452	BOLT, M8X 45 PLATED	3							
14	1	119620-42350	V-PULLEY	1							
15	1	129430-42280	V-BELT, HM33	1							
15-1	1	25157-003300	V-BELT, M33	1							R
(A=E/#38150)											
16	1	119325-44740	FAN, COOLING D230X7	1							
17	1	26106-060202	BOLT, M6X 20 PLATED	4							
18	1	119256-49531	COVER, THERMOSTAT	1							
19	1	119260-49801	THERMOSTAT, 71	1							
20	1	119209-42140	O-RING, G 35	1							
21	1	26106-060162	BOLT, M6X 16 PLATED	1							
22	1	26106-060552	BOLT, M6X 55 PLATED	1							
23	1	171056-49120	PLUG, DRAIN	1							
24	1	121250-44901	SWITCH, 110	1							
25	1	124574-44761	SPACER, FAN	1							
26	1	121450-42450	PLUG, M16	1							
27	1	124465-44950	GASKET, 16	2							

Fig.10. FUEL INJECTION DEVICE



(A)=2TNE68-EBVA  
(B)=  
(C)=

(D)=  
(E)=  
(F)=

No.	Lev.	Parts No.	Description	Q'ty						I	R
				(A)	(B)	(C)	(D)	(E)	(F)		
1	1	719305-51100	PUMP ASSY, INJECTION	1							
3	2	119225-51100	PLUNGER ASSY	2							
6	2	119620-51170	RETAINER, SPRING A	2							
7	2	119620-51180	RETAINER, SPRING B	2							
8	2	119620-51190	SPRING, PLUNGER	2							
9	2	119620-51250	SHIM SET	2							
21	2	119225-51300	VALVE ASSY, DELIVERY	2							
24	2	105546-51330	SPRING, DELIVERY	2							
25	2	119620-51340	HOLDER, DELIVERY	2							
26	2	119620-51350	GASKET	2							
27	2	119620-51370	O-RING	2							
28	2	119620-51450	PIECE	2							
29	2	174307-51460	PIN, LOCK	1							
30	2	119305-51500	RACK, CONTROL	1							
31	2	119620-51510	PINION	2							
32	2	119305-51530	RETAINER, RACK	1							
33	2	119620-51640	PLATE ASSY, ADJUST	1							W
(A=E/#30361)											
33A	3	119620-51650	PLATE	1							
34	3	119620-51670	PIN	1							
35	2	119620-51660	SCREW	1							
36	2	119620-51680	PIN	1							
37	2	119620-51700	TAPPET ASSY	2							
43	2	26022-040082	SCREW, M4X 8	2							
44	2	26033-040102	SCREW, M4X10	1							
45	1	119266-59501	JOINT ASSY, PIPE	1							Z
(A=E/#34063)											
46	1	119266-59570	JOINT, OVER FLOW	1							1
47	1	119266-59580	BOLT, PIPE JOINT M8	1							1
48	1	22190-080002	WASHER, SEAL 6	2							1

Remarks

(1)THE LEVEL WAS CHANGED INTO 1 FROM 2.

Fig.11. GOVERNOR

(A)=2TNE68-EBVA

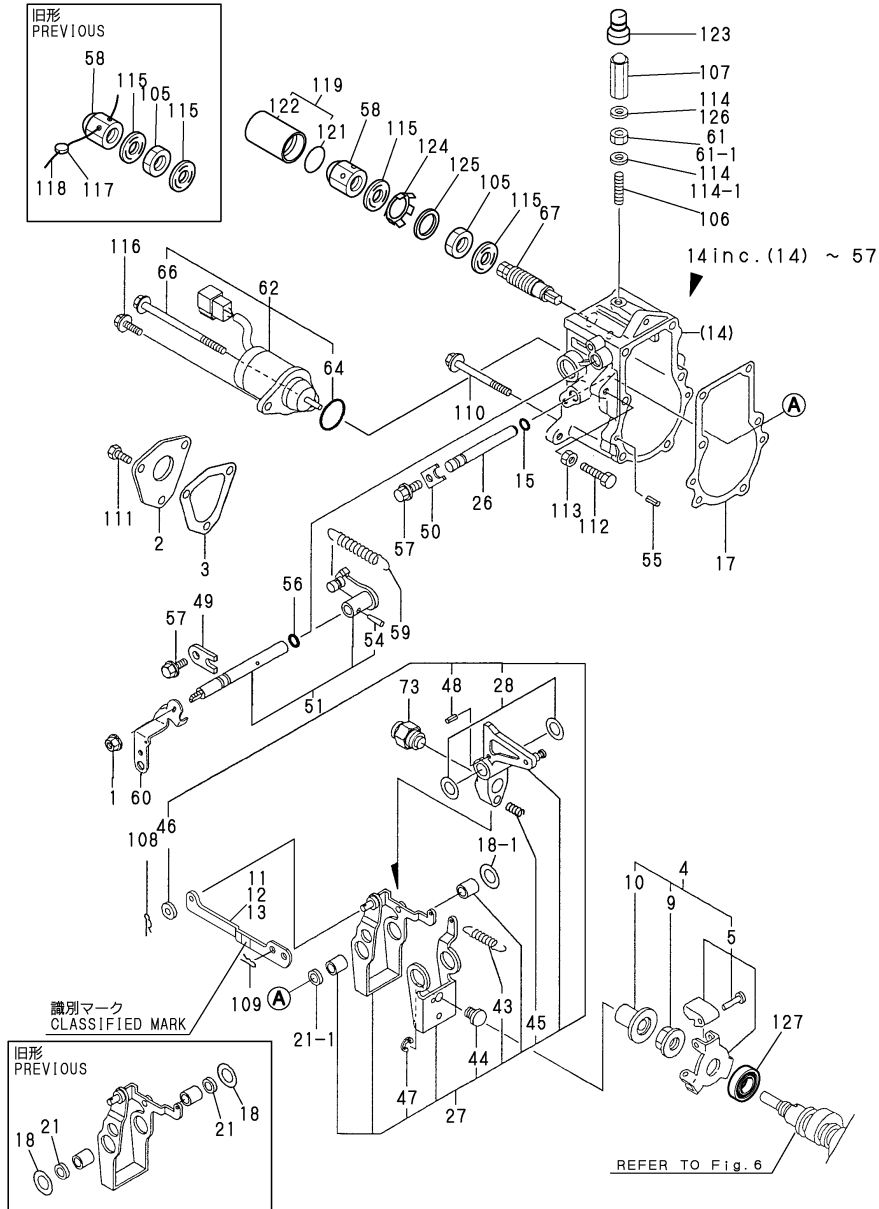
(B)=

(C)=

(D)=

(E)=

(F)=



No.	Lev.	Parts No.	Description	(A)	(B)	(C)	Qty	(D)	(E)	(F)	I	R
1	1	194990-22050	NUT, M8	1								
1-1	1	26366-080002	NUT, M8	1								N
(A=E/#26683)												
2	1	119660-61060	COVER, GOVERNOR CASE	1								
3	1	119660-61071	GASKET	1								
4	1	119600-61300	DRIVE ASSY	1								
5	2	119600-61400	WEIGHT ASSY,GOVERNOR	1								
9	2	119660-61300	NUT	1								
10	2	119660-61341	SLEEVE	1								
11	1	119285-61120	LINK, NO MARK	1								1
11-1	1	119660-61122	LINK, NO MARK	1								N 1
(A=E/#37260)												
12	1	119285-61130	LINK, MARK :2	1								1
12-1	1	119660-61141	LINK, MARK A	1								N 1
(A=E/#37260)												
13	1	119285-61140	LINK, MARK :3	1								1
13-1	1	119660-61151	LINK, MARK :B	1								N 1
(A=E/#37260)												
14	1	119632-61200	CASE ASSY, GOVERNOR	1								
15	2	129155-51280	O-RING, S6	1								
17	2	119660-61052	GASKET	1								
17-1	2	119660-61053	GASKET	1								S
(A=E/#33161)												
18	2	119660-61460	SHIM SET	1								
18-1	2	119632-61500	SHIM SET	1								N
(A=E/#33161)												
21	2	129155-61480	SPACER ASSY	2								
21-1	2	129156-61500	SHIM, T=0.5	1								N
(A=E/#33161)												
26	2	119660-61590	SHAFT	1								
27	2	119232-61510	LEVER ASSY, GOVERNOR	1								
28	3	174307-51700	SHIM SET	2								
43	3	119232-61540	SPRING	1								
44	3	119600-61541	SHIFTER	1								
45	3	119660-61651	SPRING, STARTING	1								
46	3	22117-040000	WASHER, 4	1								
47	3	22272-000040	RING, E- 4	1								
48	3	22351-030014	PIN, SPRING 3.0X14	1								
49	2	119600-61900	RETAINER, SHAFT	1								
50	2	119660-61901	RETAINER, SHAFT	1								
51	2	119285-66080	SHAFT ASSY	1								
54	3	22322-030160	PIN, TAPER 3X16	1								
55	2	22351-040010	PIN, SPRING 4.0X10	2								
56	2	24341-000070	O-RING, 1AS7.0	1								
57	2	26106-060102	BOLT, M6X 10 PLATED	2								
58	1	129100-61930	NUT, CAP	1								
59	1	119600-66020	SPRING, REGULATOR	1								
60	1	119621-66051	LEVER, REGULATOR	1								
61	1	124550-66370	NUT, M6	1								
61-1	1	26857-060002	NUT, M6	1								S
(A=E/#27563)												

Remarks

(1)SELECTION USE PARTS:CERTAIN THE CLASSIFICATION MARK, THEN PLACE YOUR ORDER.(REFER TO ILLUSTRATION)

Fig.11. GOVERNOR

(A)=2TNE68-EBVA

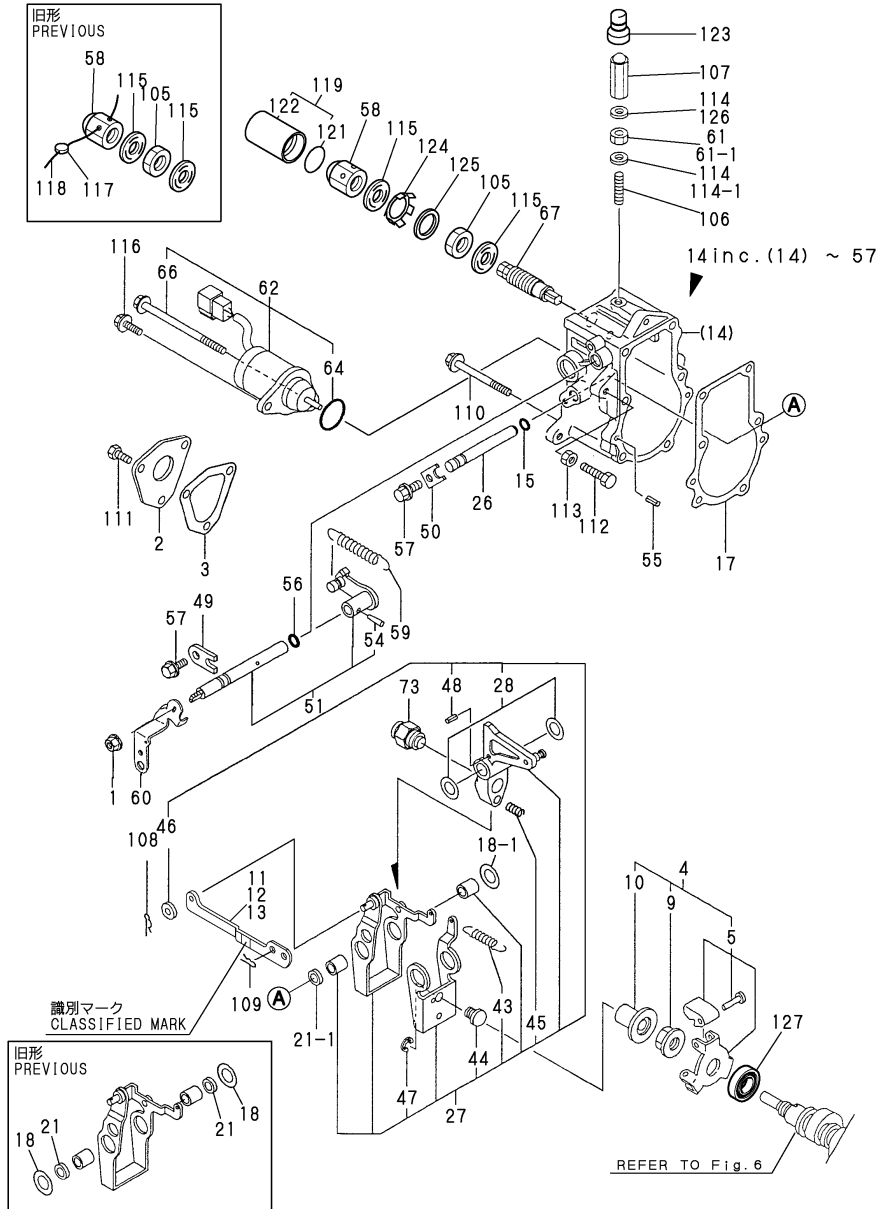
(B)=

(C)=

(D)=

(E)=

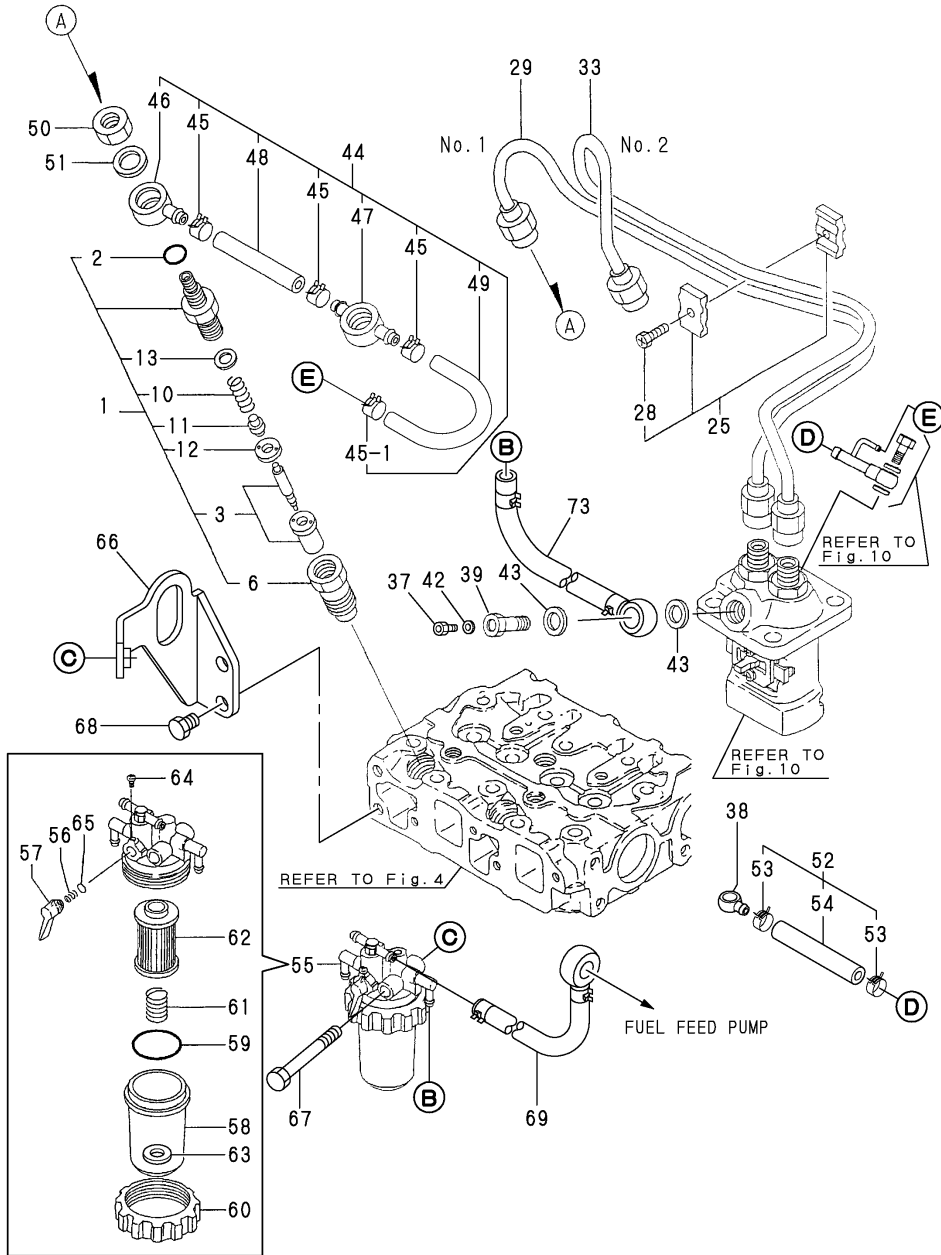
(F)=



No.	Lev.	Parts No.	Description	(A)	(B)	(C)	Qty	(D)	(E)	(F)	I	R
62	1	119233-66511	STOPPER ASSY	1								
64	2	24341-000280	O-RING, 1AS28.0	1								
66	2	119620-01530	BOLT	1								
67	1	119600-66530	LIMITER ASSY, FUEL	1								
73	1	119654-66700	ANGLEICH ASSY	1								
105	1	26736-120002	NUT, M12	1								
106	1	121575-66830	SCREW	1								
107	1	119600-66840	NUT, CAP	1								
107-1	1	119285-66600	NUT, CAP M6	1								S
(A=E/#27563)												
108	1	22360-040000	PIN, SNAP 4	1								
109	1	22360-060000	PIN, SNAP 6	1								
110	1	26106-060702	BOLT, M6X 70 PLATED	5								
111	1	26116-050102	BOLT, M5X 10 PLATED	3								
112	1	26116-060304	BOLT, M6X 30 PLATED	1								
112-1	1	119266-61460	BOLT	1								R
(A=E/#29782)												
113	1	26756-060002	NUT, LOCK M6	1								
114	1	22190-060003	SEAL WASER 6	2								
114-1	1	22190-060003	SEAL WASER 6	1								K
(A=E/#27563)												
115	1	22190-120002	WASHER, SEAL 12	2								
116	1	121465-59950	BOLT, M6X16	1								
117	1	135210-61090	LEAD	1								Z
(A=E/#27563)												
118	1	22451-060000	WIRE, 0.6	1								Z
(A=E/#27563)												
119	1	129209-61940	CASE ASSY	1								W
(A=E/#27563)												
121	2	24311-000150	O-RING, 1AP15.0	1								W
(A=E/#27563)												
122	1	129209-61960	CASE	1								W
(A=FROM 1ST)												
123	1	119285-66650	CAP, HIGH-IDLE	1								W
(A=E/#27563)												
124	2	129209-61970	PLATE	1								W
(A=E/#27563)												
125	2	119285-66620	GASKET	1								W
(A=E/#27563)												
126	2	23414-120016	GASKET, 12X1.0	1								W
(A=E/#27563)												
127	2	24101-062034	BEARING, BALL 6203	1								W
(A=E/#37260)												

Remarks  
 (1) SELECTION USE PARTS: CERTAIN THE CLASSIFICATION MARK, THEN PLACE YOUR ORDER. (REFER TO ILLUSTRATION)

Fig.12. FUEL INJECTION SYSTEM



(A)=2TNE68-EBVA

(B)=

(C)=

(D)=

(E)=

(F)=

No.	Lev.	Parts No.	Description	Q'ty						I	R
				(A)	(B)	(C)	(D)	(E)	(F)		
1	1	719255-53100	VALVE ASSY,INJECTION	2							
2	2	129155-61830	O-RING, S10	2							
3	2	119620-53000	VALVE ASSY,INJECTION	2							
6	2	119620-53080	NUT, NOZZLE	2							
10	2	119620-53120	SPRING, NOZZLE	2							
11	2	114250-53130	SEAT, SPRING	2							
12	2	119620-53140	SPACER, VALVE STOP	2							
13	2	114250-53400	SHIM SET	2							
25	1	119305-59120	RETAINER, PIPE	1							
28	2	129150-59131	BOLT, M4X14	1							
29	1	119309-59810	PIPE ASSY, INJECTION	1							
33	1	119309-59820	PIPE ASSY, INJECTION	1							
37	1	123482-01900	PLUG, M8-1.25	1							
38	1	101304-59020	JOINT, PIPE 12	1							
39	1	119462-59190	BOLT ASSY, JOINT	1							
42	1	22190-080002	WASHER, SEAL 6	1							
43	1	22190-120002	WASHER, SEAL 12	2							
44	1	119520-59540	PIPE ASSY, RETURN	1							
45	2	124066-59100	CLIP, HOSE 8	3							
45-1	2	124066-59100	CLIP, HOSE 8	4							K
(A=E/#24842)											
46	2	119260-59520	JOINT	1							
47	2	119260-59530	JOINT	1							
48	2	105025-59550	PIPE, FUEL RETURN	1							
49	2	119000-59560	PIPE, FUEL RETURN	1							
50	1	119620-59700	NUT, NOZZLE	2							
51	1	22190-140002	WASHER, SEAL 14	2							
52	1	129210-59080	PIPE ASSY, FUEL	1							
53	2	124766-59050	CLIP, HOSE 12	2							
54	2	129136-59110	PIPE, D13/7.5X270	1							
55	1	129053-55620	FILTER ASSY, FUEL	1							
56	2	104200-55330	SPRING, VALVE	1							
57	2	119810-55340	LEVER	1							
58	2	129107-55510	CUP, STRAINER	1							
59	2	102103-55520	O-RING	1							
60	2	110250-55610	RING, RETAINING	1							
61	2	121250-55620	SPRING	1							M
61-1	2	121257-55720	SPRING	1							
62	2	119810-55650	ELEMENT	1							
63	2	121257-55731	FLOAT	1							
64	2	104200-55750	SCREW, M4	1							
65	2	24311-240100	O-RING, 1AP10A	1							
66	1	119325-55910	BRACKET, FILTER	1							
67	1	26014-080702	BOLT, M8X 70	1							
68	1	26106-080142	BOLT, M8X 14 PLATED	2							
69	1	119244-59020	PIPE ASSY, FUEL	1							
73	1	119325-59030	PIPE ASSY, FUEL	1							

Remarks

(M)MISPRINT:REFER TO THE NEXT ITEM.

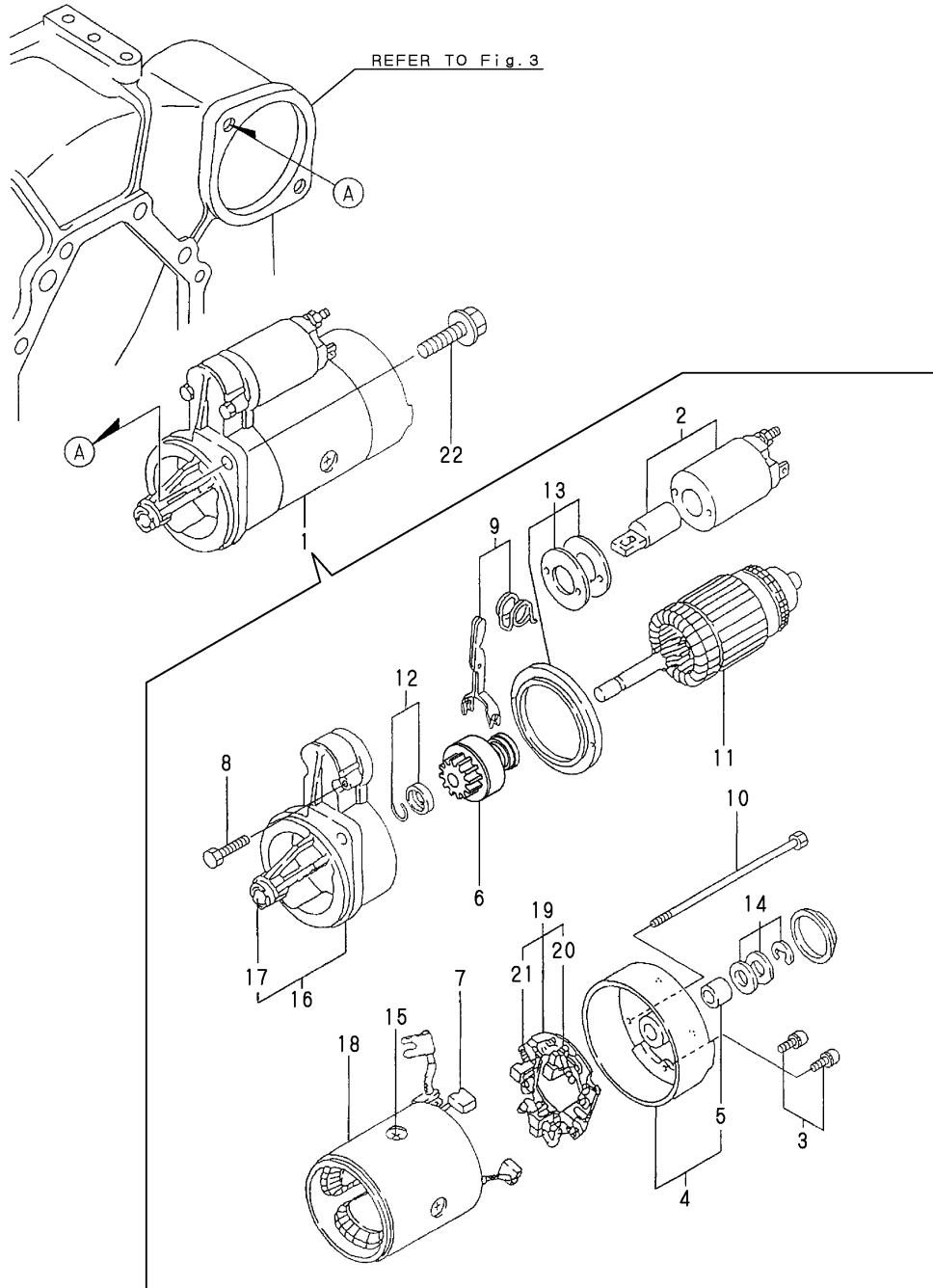
N:Old  $\xrightarrow{\text{Yes}}$  New, Q:Old  $\xrightarrow{\text{No}}$  New, R:Old  $\xrightarrow{\text{Yes}}$  New, S:Old  $\xrightarrow{\text{No}}$  New, W:Add, Z:Discontinued, F:Interchangeable by set, K:Q'ty Change



Fig.13. STARTING MOTOR

(A)=2TNE68-EBVA  
(B)=  
(C)=

(D)=  
(E)=  
(F)=

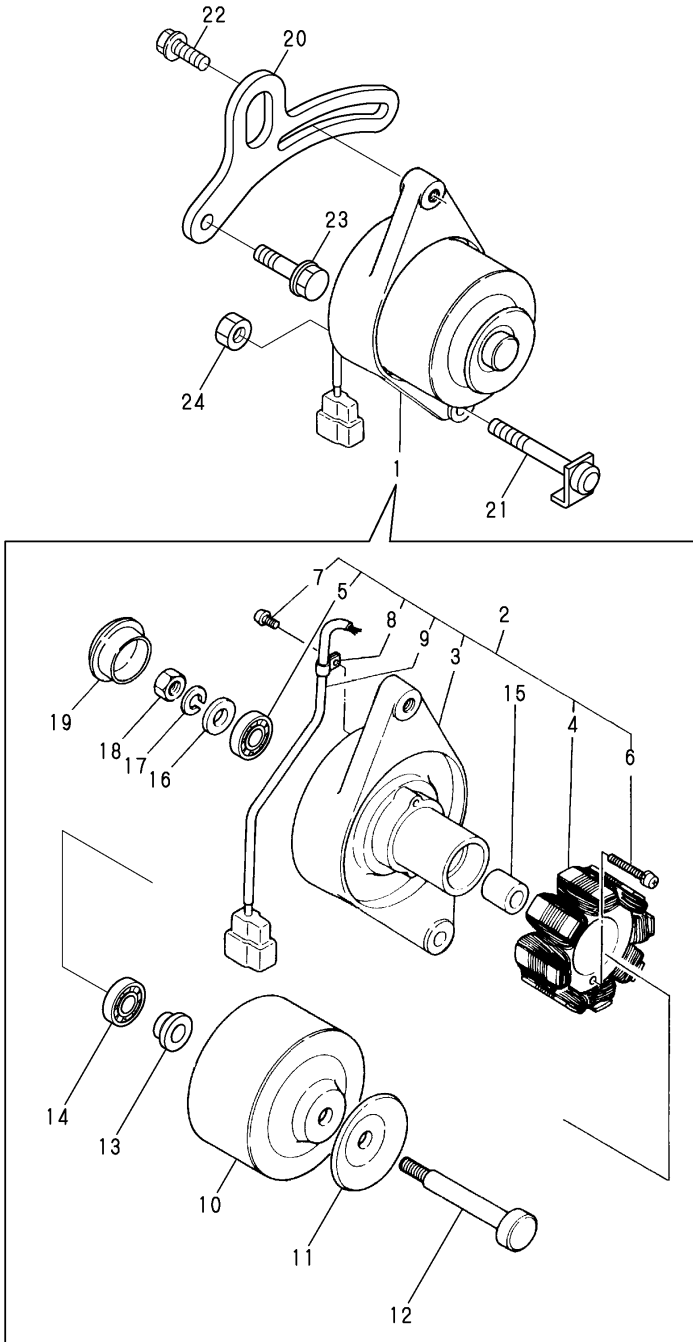


No.	Lev.	Parts No.	Description	Q'ty						I	R
				(A)	(B)	(C)	(D)	(E)	(F)		
1	1	119225-77011	STARTER	1							
2	2	X2114275070	SWITCH, MAGNETIC	1							
3	2	X2114283500	SCREW SET	1							
4	2	X2114430010	COVER ASSY, REAR	1							
5	3	X2114535200	METAL, STARTER	1							
6	2	X2114455040	PINION ASSY	1							
7	2	X2114531200	BRUSH (+)	2							
8	2	X2114586700	BOLT M6X 37	2							
9	2	X2114660130	LEVER KIT, SHIFT	1							
10	2	X2114680050	BOLT, THROUGH	2							
11	2	X2114710080	AMATURE ASSY.	1							
12	2	X2114715500	STOPPER SET	1							
13	2	X2114780060	COVER ASSY, DUST	1							
14	2	X2114811000	WASHER KIT, THRUST	1							
15	2	X2114821500	SCREW SET	4							
16	2	X2114866060	HOUSING, GEAR	1							
17	3	X2114535200	METAL, STARTER	1							
18	2	X2114921040	COIL ASSY, FIELD	1							
19	2	X2114990010	HOLDER ASSY, BRUSH	1							
20	3	X2114831300	BRUSH (-)	1							
21	3	X2114931400	SPRING, BRUSH	3							
22	1	26106-100252	BOLT, M10X 25 PLATED	2							

Fig.14. GENERATOR

(A)=2TNE68-EBVA  
(B)=  
(C)=

(D)=  
(E)=  
(F)=

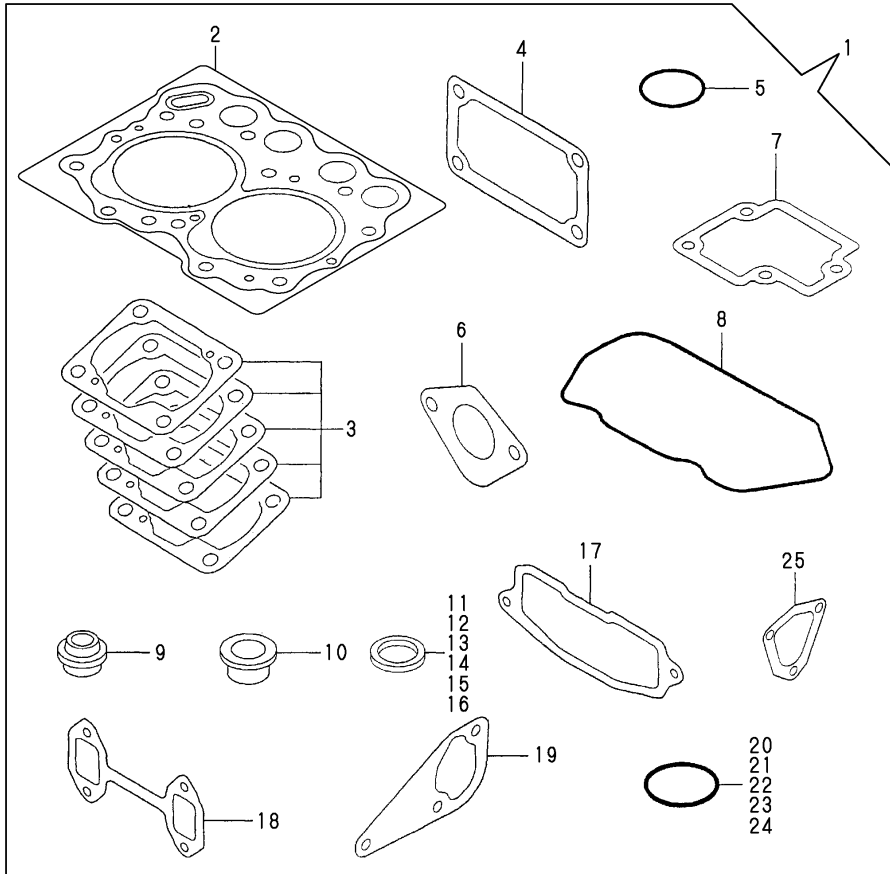


No.	Lev.	Parts No.	Description	Q'ty						I	R
				(A)	(B)	(C)	(D)	(E)	(F)		
1	1	119663-77200	DYNAMO	1							
2	2	XM183780000	PLATE ASSY	1							
3	3	X2A07071KA	PLATE, COIL	1							
4	3	X4A07023KC	STATOR ASSY	1							
5	3	XM274360000	BEARING 6201ZZC3	1							
6	3	XYSPS402400	SCREW	2							
7	3	XYSPS400800	SCREW	1							
8	3	XM069000000	CLAMP	1							
9	3	XM178780000	COUPLER	1							
10	2	X3A08344KB	FLYWHEEL	1							
11	2	XM721740000	PULLEY	1							
12	2	X4A07130K01	SHAFT	1							
13	2	X4A04060K01	COLLAR	1							
14	2	XM274360000	BEARING 6201ZZC3	1							
15	2	XM329830000	COLLAR	1							
16	2	XM860250000	WASHER	1							
17	2	XM219230000	WASHER	1							
18	2	XM863720000	NUT	1							
19	2	XM771870000	CAP	1							
20	1	119230-77330	ADJUSTER	1							
21	1	119325-77250	BOLT, M8X56	1							
22	1	119810-77340	BOLT, ADJUSTER	1							
23	1	26106-080202	BOLT, M8X 20 PLATED	1							
24	1	26306-080002	NUT, M8	1							

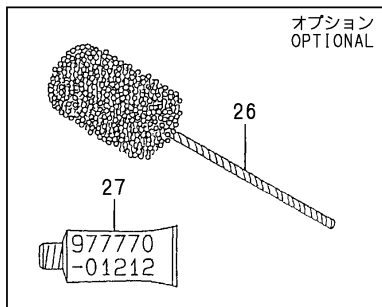
Fig.15. GASKET SET & TOOLS

(A)=2TNE68-EBVA  
(B)=  
(C)=

(D)=  
(E)=  
(F)=



No.	Lev.	Parts No.	Description	Q'ty						I	R
				(A)	(B)	(C)	(D)	(E)	(F)		
1	1	719305-92670	GASKET SET	1							1
2	2	119309-01330	GASKET, CYL. HEAD	1							
3	2	119305-01950	SHIM SET, ADJUSTING	1							
4	2	119660-01562	GASKET	1							
5	2	24311-000320	O-RING, 1AP32.0	2							
6	2	121520-01851	GASKET	1							
7	2	119305-03031	GASKET	1							
8	2	119305-11310	GASKET, BONNET	1							
9	2	119260-11340	SEAL, VALVE STEM	4							
10	2	119600-11450	PROTECTOR, NOZZLE	2							
11	2	119600-11460	GASKET, NOZZLE	4							
12	2	124465-44950	GASKET, 16	2							
13	2	22190-060003	SEAL WASER 6	2							
13-1	2	22190-060003	SEAL WASER 6	1							K
(A=E/#27563)											
14	2	22190-120002	WASHER, SEAL 12	2							
15	2	22190-120002	WASHER, SEAL 12	2							
16	2	22190-160002	WASHER, SEAL 16	1							
17	2	119326-12111	GASKET, MANIFOLD	1							
18	2	119305-13110	GASKET	1							
19	2	119260-42021	GASKET, WATER PUMP	1							
20	2	119209-42140	O-RING, G 35	1							
21	2	24311-000120	O-RING, 1AP12.0	2							
22	2	24341-000240	O-RING, 1AS24.0	1							
23	2	119624-32040	O-RING, P12.0	2							
24	2	119209-35030	O-RING, P11	1							
25	2	119660-61071	GASKET	1							
26	1	129400-92400	HONE	1							1
27	1	977770-01212	GASKET, LIQUID	1							1



Remarks  
(1)OPTIONAL

## Parts No. Index

Parts No.	Fig. No.	Ref. No.
101304-59020	12	38
102103-55520	12	59
104200-55330	12	56
104200-55750	12	64
104264-59030	2	34
105010-11230	4	23
		27
105025-59550	12	48
105425-01690	3	8
105546-51330	10	24
105582-59150	2	35
110250-55610	12	60
114250-11120	4	13
114250-11180	4	14
114250-39450	8	28
114250-53130	12	11
114250-53400	12	13
119000-59560	12	49
119131-18320	5	9
119209-35030	8	26
	15	24
119209-42140	9	20
	15	20
119209-42320	9	10 -1
119225-35300	8	16
119225-42320	9	10
119225-51100	10	3
119225-51300	10	21
119225-77011	13	1
119230-01600	3	2
119230-77330	14	20
119232-61510	11	27
119232-61540	11	43
119233-66511	11	62
119244-59020	12	69
119256-49531	9	18
119260-01510	2	15
119260-01590	2	1
119260-02020	1	5
119260-02800	1	13
119260-02870	1	23
119260-02930	1	16
119260-11100	4	11
119260-11110	4	12
119260-11260	4	33
119260-11270	4	35
119260-11280	4	36
119260-11340	4	16
	15	9
119260-11370	4	17

Parts No.	Fig. No.	Ref. No.
119260-11800	4	6
119260-14100	6	6
119260-14200	6	1
119260-14400	6	2
119260-21200	7	4
119260-23910	7	29
119260-25100	6	10
119260-32000	8	1
119260-42002	9	1
119260-42003	9	1 -1
119260-42004	9	1 -2
119260-42021	9	12
	15	19
119260-49801	9	19
119260-59520	12	46
119260-59530	12	47
119265-01250	1	9
119265-11260	4	34
119265-13800	5	10 -1
119265-13810	5	8 -1
119265-13840	5	7 -1
119265-22300	7	24
119265-22500	7	18
119265-22601	7	16
119265-22930	7	35
119265-22950	7	37
119265-23100	7	26
119265-23200	7	30
119266-01200	1	21
119266-02410	1	19
119266-11390	4	46
119266-59501	10	45
119266-59570	10	46
119266-59580	10	47
119266-61460	11	112 -1
119285-61120	11	11
119285-61130	11	12
119285-61140	11	13
119285-66080	11	51
119285-66600	11	107 -1
119285-66620	11	125
119285-66650	11	123
119305-01490	2	13
119305-01760	3	6
119305-01950	2	21
	15	3
119305-03020	4	42
119305-03031	4	43
	15	7
119305-11200	4	21

Parts No.	Fig. No.	Ref. No.
119305-11240	4	30
119305-11310	4	45
	15	8
119305-12150	5	1
119305-13100	5	5
119305-13110	5	6
	15	18
119305-14210	6	16
119305-14580	6	3
119305-35170	8	15
119305-51500	10	30
119305-51530	10	32
119305-59120	12	25
119309-01330	1	22
	15	2
119309-21700	7	1
119309-59810	12	29
119309-59820	12	33
119325-01790	3	7
119325-01791	3	7 -1
119325-11350	4	40
119325-21580	7	13
119325-21670	7	8
119325-34840	8	13
119325-34890	8	14
119325-44740	9	16
119325-55910	12	66
119325-59030	12	73
119325-77250	14	21
119326-12111	5	2
	15	17
119332-35080	8	25
119356-77820	4	52
119462-59190	12	39
119520-59540	12	44
119600-11450	4	19
	15	10
119600-11460	4	20
	15	11
119600-52021	2	29
119600-61300	11	4
119600-61400	11	5
119600-61541	11	44
119600-61900	11	49
119600-66020	11	59
119600-66530	11	67
119600-66840	11	107
119620-01530	11	66
119620-01620	3	13
119620-01750	3	4

Parts No.	Fig. No.	Ref. No.
119620-01800	2	3
119620-02450	6	4
119620-11350	4	38
119620-21500	7	12
119620-21941	7	10
119620-25912	6	12
119620-42350	9	14
119620-51170	10	6
119620-51180	10	7
119620-51190	10	8
119620-51250	10	9
119620-51340	10	25
119620-51350	10	26
119620-51370	10	27
119620-51450	10	28
119620-51510	10	31
119620-51640	10	33
119620-51650	10	33 A
119620-51660	10	35
119620-51670	10	34
119620-51680	10	36
119620-51700	10	37
119620-53000	12	3
119620-53080	12	6
119620-53120	12	10
119620-53140	12	12
119620-59700	12	50
119621-21680	7	9
119621-66051	11	60
119624-32040	2	5
	15	23
119632-61200	11	14
119632-61500	11	18 -1
119654-66700	11	73
119660-01551	2	18
119660-01562	2	19
	15	4
119660-01570	2	20
119660-01640	3	14
119660-01651	3	15
119660-01821	6	23
119660-01911	2	4
119660-25022	6	8
119660-25052	6	9
119660-25920	6	21
119660-25930	6	22
119660-32020	8	11
119660-61052	11	17
119660-61053	11	17 -1
119660-61060	11	2

## Parts No. Index

Parts No.	Fig. No.	Ref. No.
119660-61071	11	3
	15	25
119660-61122	11	11 -1
119660-61141	11	12 -1
119660-61151	11	13 -1
119660-61300	11	9
119660-61341	11	10
119660-61460	11	18
119660-61590	11	26
119660-61651	11	45
119660-61901	11	50
119663-77200	14	1
119810-55340	12	57
119810-55650	12	62
119810-77340	14	22
121023-01550	2	31
121120-01620	3	3
121250-44901	9	24
121250-55620	12	61
121257-55720	12	61 -1
121257-55731	12	63
121450-01560	2	16
121450-42450	9	26
121465-59950	11	116
121520-01851	2	28
	15	6
121575-66830	11	106
123482-01900	12	37
124060-01050	1	4
124066-59100	12	45
		45 -1
124085-02220	3	16
124160-01751	2	11
	4	41
124160-11360	4	49
124465-44950	9	27
	15	12
124550-66370	11	61
124574-44761	9	25
124766-59050	12	53
124950-21600	7	15
129053-55620	12	55
129100-01580	3	1
	7	2
129100-61930	11	58
129107-55510	12	58
129136-59110	12	54
129150-35350	8	24
129150-59131	12	28
129155-51280	11	15

Parts No.	Fig. No.	Ref. No.
129155-61480	11	21
129155-61830	12	2
129155-77801	4	51
129156-61500	11	21 -1
129209-61940	11	119
129209-61960	11	122
129209-61970	11	124
129210-59080	12	52
129400-92400	15	26
129430-42280	9	15
135210-61090	11	117
171056-49120	9	23
174307-51460	10	29
174307-51700	11	28
194990-22050	2	26
	11	1
22117-040000	11	46
22190-060003	11	114
		114 -1
	15	13
		13 -1
22190-080002	2	36
	10	48
	12	42
22190-120002	11	115
	12	43
	15	14
		15
22190-140002	12	51
22190-160002	3	10
	15	16
22242-000100	4	37
22242-000200	6	14
22252-000200	7	25
22272-000040	11	47
22322-030160	11	54
22351-030010	7	11
22351-030012	7	7
22351-030014	11	48
22351-040010	2	17
	11	55
22351-060012	4	18
22360-040000	11	108
22360-060000	11	109
22451-060000	11	118
22512-040120	6	7
		19
	7	5
22857-500100	4	48
23065-120800	4	1

Parts No.	Fig. No.	Ref. No.
23414-120016	11	126
23876-020000	4	9
24101-062034	11	127
24102-063034	6	20
24311-000120	4	50
	15	21
24311-000150	11	121
24311-000320	2	12
	4	47
	15	5
24311-240100	12	65
24341-000070	11	56
24341-000240	2	32
	15	22
24341-000280	11	64
25157-003300	9	15 -1
26014-080702	12	67
26022-040082	10	43
26033-040102	10	44
26106-060102	3	11
	11	57
26106-060122	1	20
	6	15
	8	27
26106-060162	2	6
		30
		33
	5	3
	6	25
	9	21
26106-060202	9	17
26106-060222	3	17
26106-060282	5	4
26106-060302	2	7
26106-060402	2	8
	5	7
26106-060452	3	12
26106-060502	2	9
26106-060552	9	22
26106-060652	2	10
26106-060702	11	110
26106-080142	12	68
26106-080202	14	23
26106-080452	9	13
26106-100252	13	22
26116-050102	11	111
26116-060304	11	112
26206-100252	3	5
26216-060402	5	8
26306-080002	4	39

Parts No.	Fig. No.	Ref. No.
26306-080002	14	24
26366-060002	2	27
	5	10
26366-080002	11	1 -1
26450-060202	8	12
26587-080102	6	24
26736-120002	11	105
26756-060002	11	113
26856-060002	4	25
		29
26857-060002	11	61 -1
27221-050080	4	10
27221-060100	1	8
27241-100000	1	10
27241-250000	1	11
27241-300000	1	12
27241-350000	4	8
27310-050001	4	15
719255-53100	12	1
719260-11650	4	22
719260-11660	4	26
719260-23600	7	31
719260-23610	7	33
719305-51100	10	1
719305-92670	15	1
719325-01560	1	1
719325-11700	4	2
977770-01212	15	27
X2114275070	13	2
X2114283500	13	3
X2114430010	13	4
X2114455040	13	6
X2114531200	13	7
X2114535200	13	5
		17
X2114586700	13	8
X2114660130	13	9
X2114680050	13	10
X2114710080	13	11
X2114715500	13	12
X2114780060	13	13
X2114811000	13	14
X2114821500	13	15
X2114831300	13	20
X2114866060	13	16
X2114921040	13	18
X2114931400	13	21
X2114990010	13	19
X2A07071KA	14	3
X3A08344KB	14	10

# Parts No. Index

Parts No.	Fig. No.	Ref. No.
X4A04060K01	14	13
X4A07023KC	14	4
X4A07130K01	14	12
XM069000000	14	8
XM178780000	14	9
XM183780000	14	2
XM219230000	14	17
XM274360000	14	5
		14
XM329830000	14	15
XM721740000	14	11
XM771870000	14	19
XM860250000	14	16
XM863720000	14	18
XYSPS400800	14	7
XYSPS402400	14	6

Parts No.	Fig. No.	Ref. No.
-----------	----------	----------

Parts No.	Fig. No.	Ref. No.
-----------	----------	----------

Parts No.	Fig. No.	Ref. No.
-----------	----------	----------