

0CB10-M66102EN

## Directions for the Parts Catalog.

- 1.This Parts Catalog shows both standard and optional parts.
- 2.Parts may change without prior notice.
- 3.The following is an example of the Parts Catalog format.

REF.	LEV.	PARTS NO.	DESCRIPTION	Q'TY						I	R
				(A)	(B)	(C)	(D)	(E)	(F)		
1	1	729595-51390	FUEL INJECTION PUMP	1	1	1	1	1			1
1-1	1	729595-51391	FUEL INJECTION PUMP	1	1	1	1	1		N	1
		(A=E00185) (B=E00200)									
3	2	26022-060162	SCREW M 6X 16	9	9	9	9	9			
3-1	2	26022-060162	SCREW M 6X 16	4	4	4	4	4		K	
		(A=E00156) (B=E00156) (C=E00156) (D=E00156) (E=E00156)									
4	2	129470-51040	CAMSHAFT	1	1	1	1	1			
5	2	122710-51050	BEARING, ROLLER	2	2	2	2	2			
6	2	129470-51060	RETAINER	1	1	1	1	1			

Remarks
(1) BOOST COMPEMSATOR TYPE. OPTIONAL PART, TO E00155,(4JH-DT, 4JH-DTZ

### ① Ref. No.

The Ref. No. listed may not be in accordance with the illustration Ref. No.

(Ex.) Illustration No.

List Ref No.

1

1

(Before change)

1-1

(After change)

For interchangeable symbols N, R and K, illustrations for new parts may be abbreviated.

### ② Lev. (Level)

Level indication

The numbers below indicate the level of relativity towards the main part.

1 ----- Main parts (Assembly parts)

2 ----- Sub component included in " 1 ".

3 ----- Sub component included in " 2 ".

Note) Parts that are not for sale are partially illustrated but not listed.

### ③ Interchangeability Symbol

When a part change takes place, one of the following interchangeability symbols is indicated beside the part.

Symbol	Interchangeability	Contents note
N	Old $\begin{matrix} \leftarrow \text{Yes} \\ \text{No} \rightarrow \end{matrix}$ New	New Part is interchangeable for Old Part but Old Part is not interchangeable for New Part.
Q	Old $\begin{matrix} \leftarrow \text{No} \\ \text{Yes} \rightarrow \end{matrix}$ New	New Part is not interchangeable for Old Part but Old Part is interchangeable for New Part.
R	Old $\begin{matrix} \leftarrow \text{Yes} \\ \text{Yes} \rightarrow \end{matrix}$ New	New/ Old Parts are both interchangeable.
S	Old $\begin{matrix} \leftarrow \text{No} \\ \text{No} \rightarrow \end{matrix}$ New	New/ Old Parts are both not interchangeable.
W		Part newly added.
Z		Part discontinued.
F		Not interchangeable by a single part but interchangeable together with related parts.
K		Changes only for used parts quantities.

### ④ Effective Machine No.

When a part changes, the effective Machine No. will be indicated in the (A)-(F) column.

Product Symbol	Product No.	Product Symbol	Product No.
C	Clutch No. Compressor No.	F	Machine No. (Agricultural Equip.)
D	Drive No.	M	Machine No.
E	Engine No.		

Note 1) A date may follow the symbol. (Ex.) 1996.01

Note 2) "XXXXX" and "ZZZZZ" are for parts that could not be predicted or for engine models that could not be identified.

Note 3) (A=E00185) is the E (Engine Serial Number) for the column (A) model (in this case 4JH-DT) after the parts design change.

### ⑤ Remarks

Figures or alphabets (symbols) are entered in the remarks column.

The comments (remarks) on parts that are indicated at the bottom of the illustration are the same symbols as those stated above.

# Contents

OCB10-M66102

Fig. No. Fig. Name

## ENGINE 3TNE68-EBVA

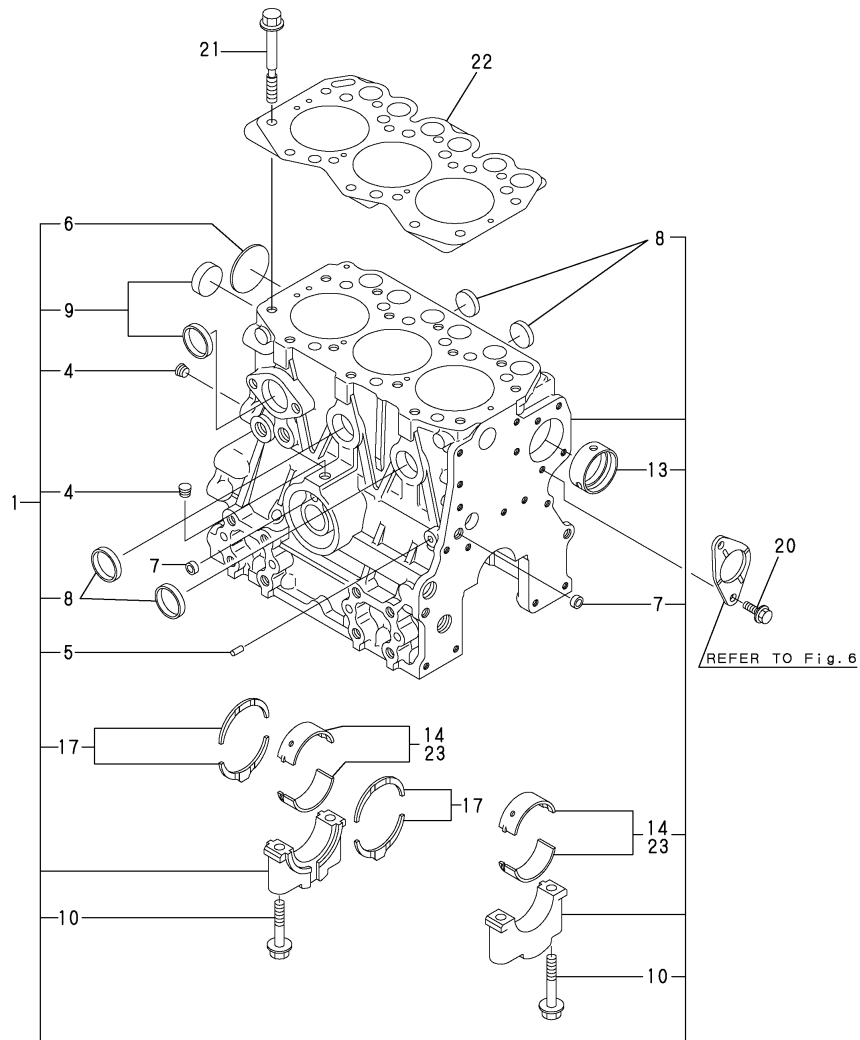
1. CYLINDER BLOCK
2. GEAR HOUSING
3. FLYWHEEL HOUSING & L.O.SUMP
4. CYLINDER HEAD & BONNET
5. SUCTION & EXHAUST MANIFOLD
6. CAMSHAFT & DRIVING GEAR
7. CRANKSHAFT & PISTON
8. LUB.OIL SYSTEM
9. COOLING WATER SYSTEM
10. FUEL INJECTION DEVICE
11. GOVERNOR
12. STARTING MOTOR
13. GENERATOR
14. GASKET SET & TOOLS

Fig. No. Fig. Name

Fig.1. CYLINDER BLOCK

(A)=3TNE68-EBVA  
(B)=  
(C)=

(D)=  
(E)=  
(F)=



No.	Lev.	Parts No.	Description	Q'ty						I	R
				(A)	(B)	(C)	(D)	(E)	(F)		
1	1	719265-01560	BLOCK ASSY, CYLINDER	1							
4	3	124060-01050	PLUG, PT1/8	2							
5	3	27221-060100	PLUG, 6X10	1							
6	3	119265-01250	PLUG, 40	1							
7	3	27241-100000	PLUG, 10	2							
8	3	27241-250000	PLUG, 25	4							
9	3	27241-300000	PLUG 30	2							
10	3	119260-02020	BOLT, METAL CAP	8							
13	3	119266-02410	BUSH	1							
14	2	119260-02800	BEARING, MAIN	4							
17	2	119260-02930	BEARING, THRUST	2							
20	1	26106-060122	BOLT, M6X 12 PLATED	2							
21	1	119266-01200	BOLT, HEAD	14							
22	1	119265-01341	GASKET, HEAD	1							
23	1	119260-02870	BEARING, 0.25 US	4							1

Remarks  
(1) UNDER SIZED (U.S.=0.25) PART.

Fig.2. GEAR HOUSING

(A)=3TNE68-EBVA

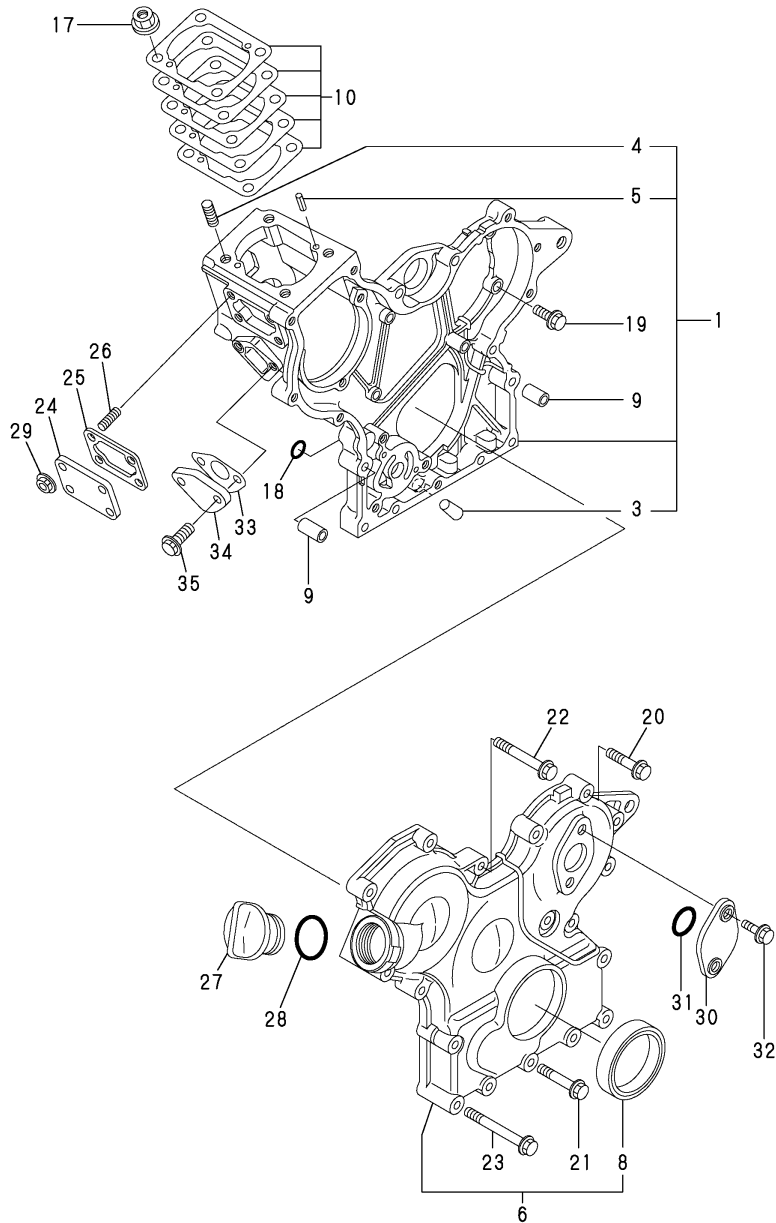
(B)=

(C)=

(D)=

(E)=

(F)=

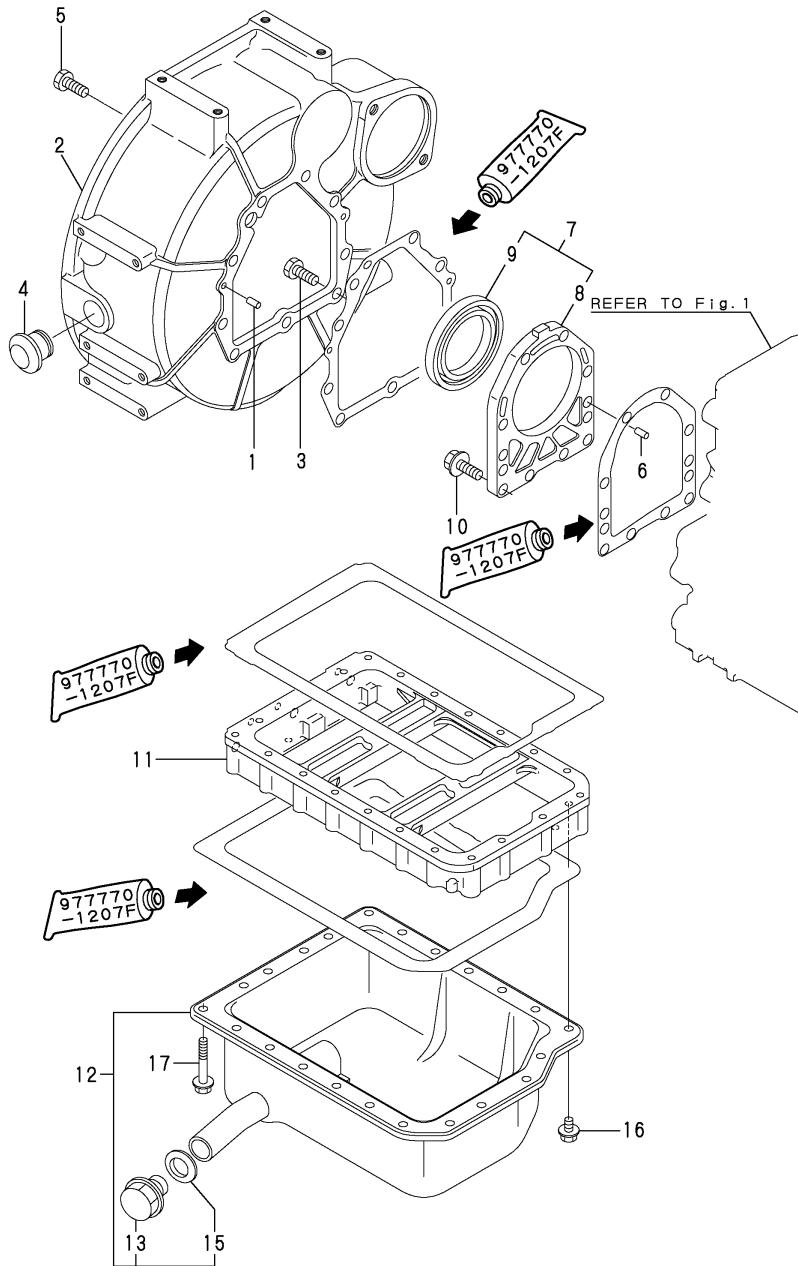


No.	Lev.	Parts No.	Description	Q'ty						I	R
				(A)	(B)	(C)	(D)	(E)	(F)		
1	1	119260-01490	CASE ASSY, GEAR	1							
3	2	119260-01510	PLUG	1							
4	2	121450-01560	STUD, M8X22	4							
5	2	22351-040010	PIN, SPRING 4.0X10	2							
6	1	119260-01590	COVER ASSY, GEAR CASE	1							
8	2	119620-01800	SEAL, OIL	1							
9	1	119660-01911	PIPE, KNOCK	4							
10	1	119623-01950	SHIM SET, ADJUSTING	1							
17	1	194990-22050	NUT, M8	4							
18	1	119624-32040	O-RING, P12.0	2							
19	1	26106-060162	BOLT, M6X 16 PLATED	5							
20	1	26106-060302	BOLT, M6X 30 PLATED	5							
21	1	26106-060402	BOLT, M6X 40 PLATED	3							
22	1	26106-060502	BOLT, M6X 50 PLATED	4							
23	1	26106-060652	BOLT, M6X 65 PLATED	6							
24	1	119660-01551	COVER	1							
25	1	119660-01562	GASKET	1							
26	1	119660-01570	STUD, M6X12	4							
27	1	124160-01751	COVER, FILLER	1							
28	1	24311-000320	O-RING, 1AP32.0	1							
29	1	26366-060002	NUT, M6	4							
30	1	121023-01550	COVER	1							
30-1	1	121023-01551	COVER	1							R
(A=E/#C0806)											
31	1	24341-000240	O-RING, 1AS24.0	1							
32	1	26106-060162	BOLT, M6X 16 PLATED	2							
33	1	121520-01851	GASKET	1							
34	1	121520-01860	COVER	1							
35	1	26106-060162	BOLT, M6X 16 PLATED	2							

Fig.3. FLYWHEEL HOUSING & L.O.SUMP

(A)=3TNE68-EBVA  
(B)=  
(C)=

(D)=  
(E)=  
(F)=

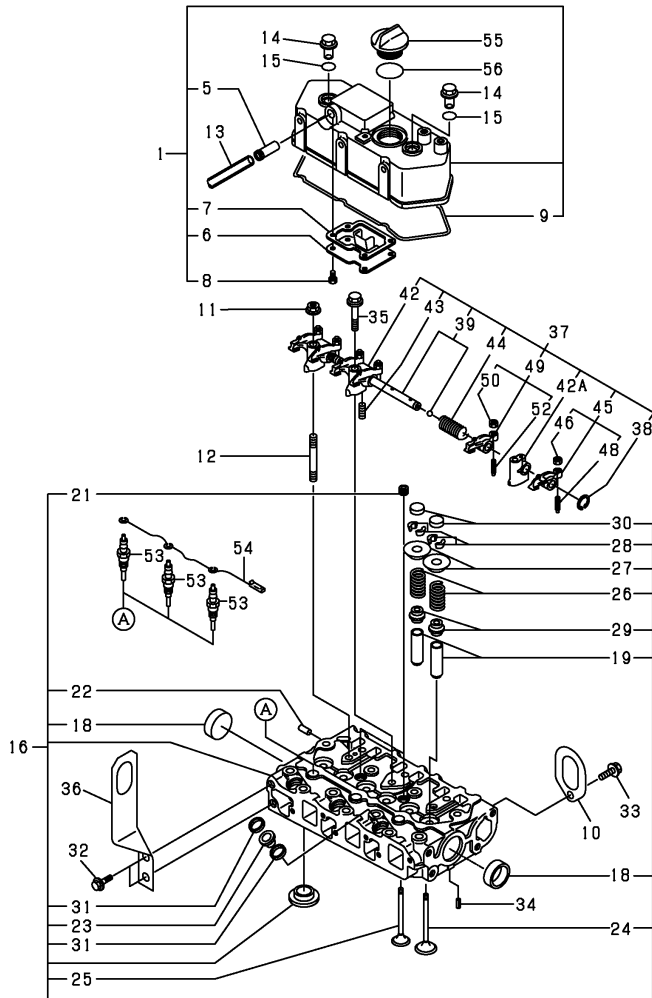


No.	Lev.	Parts No.	Description	Q'ty						I	R
				(A)	(B)	(C)	(D)	(E)	(F)		
1	1	129100-01580	PIN, M8X16	2							
2	1	119230-01600	HOUSING, FLYWHEEL	1							
3	1	121120-01620	BOLT, M10X28	3							
4	1	119620-01750	CAP	1							
5	1	26206-100252	BOLT, M10X 25 PLATED	6							
6	1	119620-01620	PIN, M6X10	2							
7	1	119660-01640	CASE ASSY, OIL SEAL	1							
8	2	119660-01651	CASE, OIL SEAL	1							
9	2	124085-02220	SEAL, OIL	1							
10	1	26106-060222	BOLT, M6X 22 PLATED	10							
11	1	119454-01721	SPACER, OIL SUMP	1							
12	1	119233-01760	SUMP ASSY, OIL	1							
13	2	105425-01690	PLUG, 16	1							
15	2	22190-160002	WASHER, SEAL 16	1							
16	1	26106-060102	BOLT, M6X 10 PLATED	3							
17	1	26106-060452	BOLT, M6X 45 PLATED	20							

Fig.4. CYLINDER HEAD & BONNET

(A)=3TNE68-EBVA  
(B)=  
(C)=

(D)=  
(E)=  
(F)=



No.	Lev.	Parts No.	Description	Q'ty						I	R
				(A)	(B)	(C)	(D)	(E)	(F)		
1	1	119260-11331	BONNET ASSY, HEAD	1							
5	2	118400-03060	JOINT, BREATHER	1							
6	2	119260-03020	PLATE, SHELTER	1							
7	2	119260-03031	GASKET	1							
8	2	22857-500100	SCREW, 5X10	4							
9	2	119260-11310	GASKET, BONNET	1							
10	1	119225-07910	LIFTER	1							
11	1	26306-080002	NUT, M8	2							
12	1	119620-11350	STUD	2							
13	1	23065-120700	PIPE, 12X 700	1							
14	1	124160-11360	KNOB	2							
15	1	24311-000120	O-RING, 1AP12.0	2							
16	1	119265-11700	HEAD ASSY, CYLINDER	1							
18	3	27241-350000	PLUG, 35	2							
19	3	119260-11800	GUIDE, VALVE	6							1
21	3	23876-030000	PLUG, R03	2							
22	3	27221-050080	PLUG, 5X 8	1							
23	2	119600-11450	PROTECTOR, NOZZLE	3							
24	2	119260-11100	VALVE, INTAKE	3							
25	2	119260-11110	VALVE, EXHAUST	3							
26	2	114250-11120	SPRING, VALVE	6							
27	2	114250-11180	RETAINER, SPRING	6							
28	2	27310-055001	COTTER, 5.5	6							
29	2	119260-11340	SEAL, VALVE STEM	6							
30	2	119260-11370	CAP, VALVE	6							
31	2	119600-11460	GASKET, NOZZLE	6							
32	1	26106-080142	BOLT, M8X 14 PLATED	2							
33	1	26106-080142	BOLT, M8X 14 PLATED	1							
34	1	22351-060012	PIN, SPRING 6.0X12	2							
35	1	26106-080452	BOLT, M8X 45 PLATED	1							
36	1	119233-07900	LIFTER	1							
37	1	119260-11200	SUPPORT ASSY, ARM	1							
38	2	22242-000100	RING, 10	2							
39	2	119260-11240	SHAFT ASSY, ROCKER	1							
42	2	119260-11260	SUPPORT, ROCKER ARM	1							
42A	2	119265-11260	SUPPORT, ROCKER ARM	2							
43	2	119260-11270	SCREW	1							
44	2	119260-11280	SPRING	2							
45	2	719260-11650	ARM ASSY, ROCKER	3							
46	3	26756-060002	NUT, LOCK M6	3							
48	3	105010-11230	SCREW, VALVE ADJUST	3							
49	2	719260-11660	ARM ASSY, ROCKER	3							
50	3	26756-060002	NUT, LOCK M6	3							
52	3	105010-11230	SCREW, VALVE ADJUST	3							
53	1	129155-77801	PLUG, GLOW	3							
54	1	119620-77820	CONNECTOR, GLOW PLUG	1							
55	1	124160-01751	COVER, FILLER	1							
56	1	24311-000320	O-RING, 1AP32.0	1							

Remarks

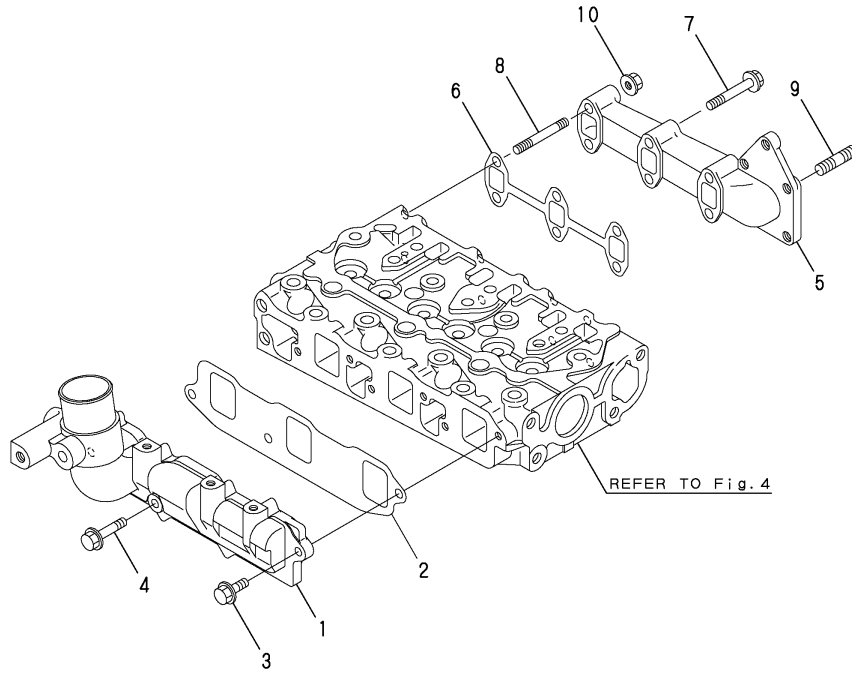
(1)REPAIR PART.

N:Old  $\begin{matrix} \text{Yes} \\ \text{No} \end{matrix}$  New, Q:Old  $\begin{matrix} \text{No} \\ \text{Yes} \end{matrix}$  New, R:Old  $\begin{matrix} \text{Yes} \\ \text{No} \end{matrix}$  New, S:Old  $\begin{matrix} \text{No} \\ \text{Yes} \end{matrix}$  New, W:Add, Z:Discontinued, F:Interchangeable by set, K:Q'ty Change

Fig.5. SUCTION & EXHAUST MANIFOLD

(A)=3TNE68-EBVA  
(B)=  
(C)=

(D)=  
(E)=  
(F)=



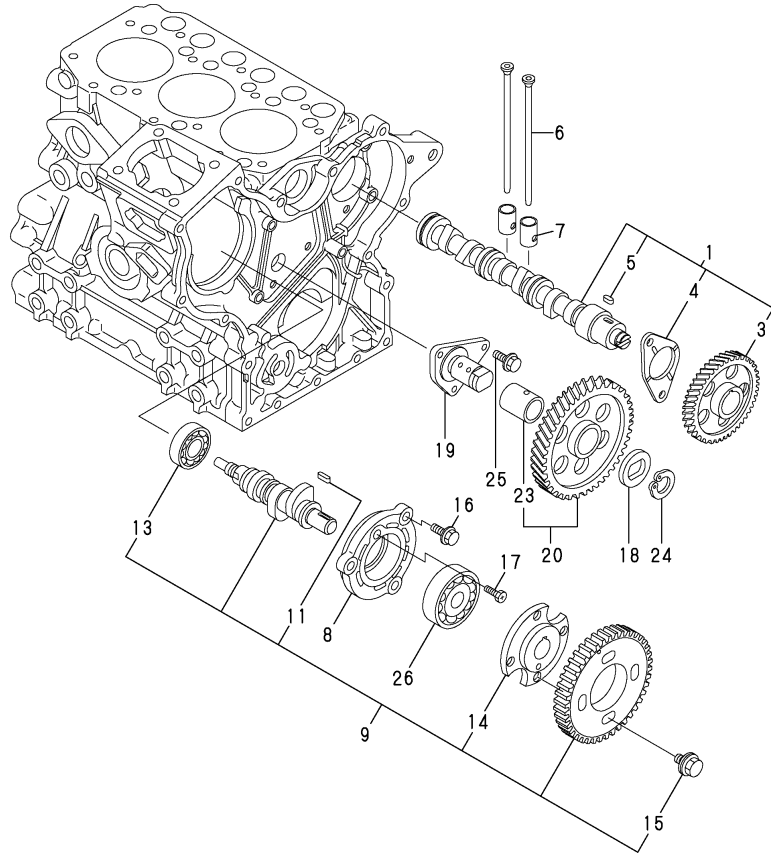
No.	Lev.	Parts No.	Description	Q'ty						I	R
				(A)	(B)	(C)	(D)	(E)	(F)		
1	1	119275-12101	MANIFOLD, AIR INTAKE	1							
2	1	119270-12110	GASKET, MANIFOLD	1							
3	1	26106-060162	BOLT, M6X 16 PLATED	2							
4	1	26106-060282	BOLT, M6X 28 PLATED	1							
5	1	119233-13100	MANIFOLD, EXHAUST	1							
6	1	119260-13110	GASKET	1							
7	1	26106-060402	BOLT, M6X 40 PLATED	4							
7-1	1	119265-13840	BOLT, M6X40	4							N
(A=E/#85947)											
8	1	26216-060402	STUD, M6X 40	2							
8-1	1	119265-13810	STUD, M6X40	2							N
(A=E/#85947)											
9	1	119131-18320	STUD, M8X22	4							
10	1	26366-060002	NUT, M6	2							
10-1	1	119265-13800	NUT, M6	2							N
(A=E/#85947)											



Fig.6. CAMSHAFT & DRIVING GEAR

(A)=3TNE68-EBVA  
(B)=  
(C)=

(D)=  
(E)=  
(F)=



No.	Lev.	Parts No.	Description	Q'ty						I	R
				(A)	(B)	(C)	(D)	(E)	(F)		
1	1	119260-14580	CAMSHAFT ASSY	1							
3	2	119260-14100	GEAR, CAMSHAFT	1							
4	2	119620-02450	BEARING, THRUST	1							
5	2	22512-040120	KEY, 4X 12	1							
6	1	119260-14400	ROD, PUSH	6							
7	1	119260-14200	TAPPET	6							
8	1	119660-01821	BEARING, FUEL CAM	1							
9	1	119225-14210	CAM ASSY	1							
11	2	22512-040120	KEY, 4X 12	1							
13	2	24102-063034	BEARING, BALL 6303U	1							
14	2	119660-25920	FLANGE	1							
15	2	119660-25930	BOLT	4							
16	1	26106-060162	BOLT, M6X 16 PLATED	3							
17	1	26587-080102	SCREW, M8X10	1							
18	1	119660-25022	RETAINER	1							
19	1	119660-25052	SHAFT, IDLE	1							
20	1	119260-25100	GEAR ASSY, IDLE	1							
23	2	119260-25912	BUSH	1							1
24	1	22242-000200	RING, 20	1							
25	1	26106-060122	BOLT, M6X 12 PLATED	3							
26	1	24101-062034	BEARING, BALL 6203	1							

Remarks

(1)REPAIR PART.

Fig.7. CRANKSHAFT & PISTON

(A)=3TNE68-EBVA

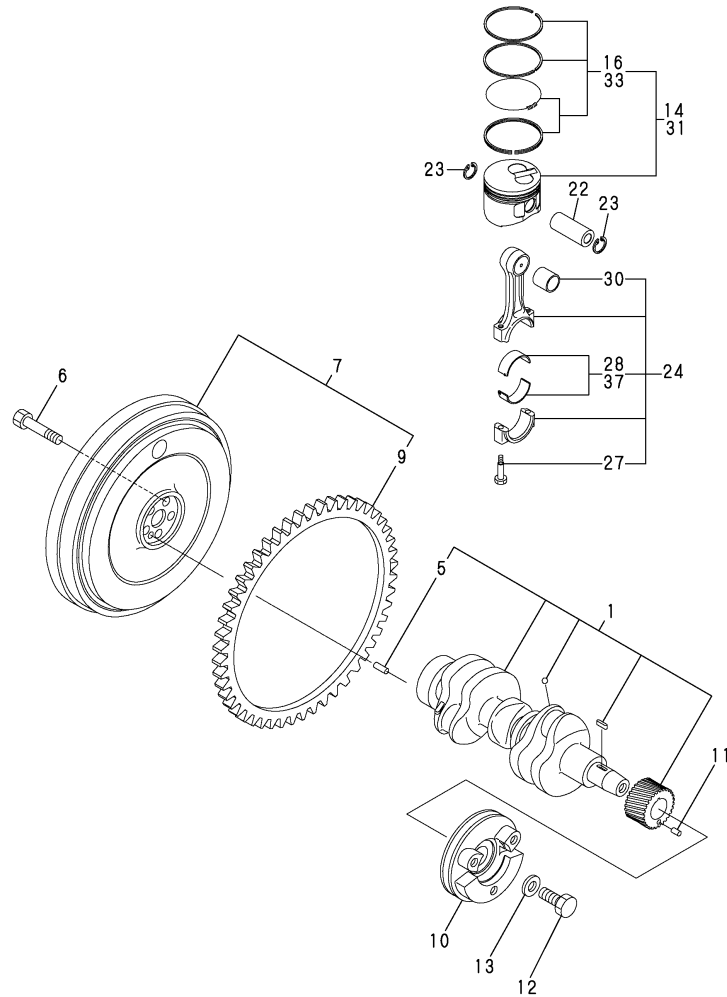
(B)=

(C)=

(D)=

(E)=

(F)=



No.	Lev.	Parts No.	Description	Q'ty						I	R
				(A)	(B)	(C)	(D)	(E)	(F)		
1	1	119265-21700	CRANKSHAFT ASSY	1							
5	2	129100-01580	PIN, M8X16	1							
6	1	119620-21500	BOLT, FLYWHEEL	5							
7	1	119233-21590	FLYWHEEL ASSY	1							
9	2	124950-21600	GEAR, RING	1							
10	1	119233-21670	V-PULLEY	1							
11	1	22351-030010	PIN, SPRING 3.0X10	1							
12	1	119621-21680	BOLT, FLANGE 12X1.25	1							
13	1	119620-21941	WASHER	1							
14	1	119265-22601	PISTON ASSY	3							
16	2	119265-22500	RING SET, PISTON	3							
22	1	119265-22300	PIN, PISTON	3							
23	1	22252-000200	RING, 20	6							
24	1	119265-23100	ROD ASSY, CONNECTING	3							
27	2	119265-23200	BOLT, CONNECTING ROD	6							
28	2	719260-23600	BEARING, CRANK PIN	3							
30	2	119260-23910	BEARING, PISTON PIN	3							2
31	1	119265-22930	PISTON ASSY, 0.25 OS	3							1
33	2	119265-22950	RING SET, 0.25 OS	3							1
37	1	719260-23610	BEARING ASSY, 0.25	3							3

Remarks

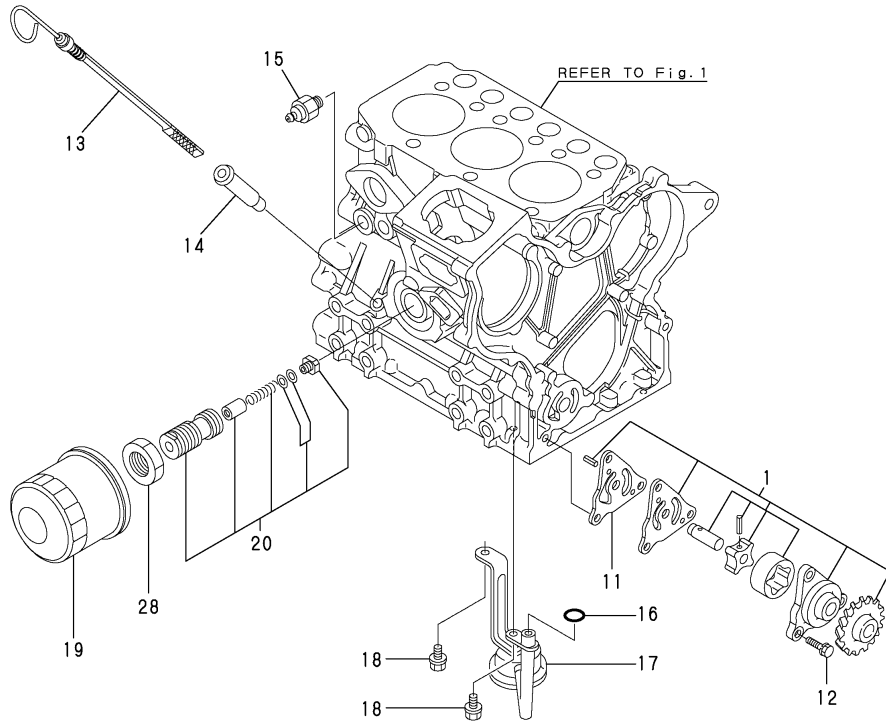
(1)OVER SIZED(O.S.=0.25)PART.

(2)REPAIR PART.

(3)UNDER SIZED(U.S.=0.25)PART.

N:Old  $\xrightarrow{\text{Yes}}$  New, Q:Old  $\xrightarrow{\text{No}}$  New, R:Old  $\xrightarrow{\text{Yes}}$  New, S:Old  $\xrightarrow{\text{No}}$  New, W:Add, Z:Discontinued, F:Interchangeable by set, K:Q'ty Change

Fig.8. LUB.OIL SYSTEM



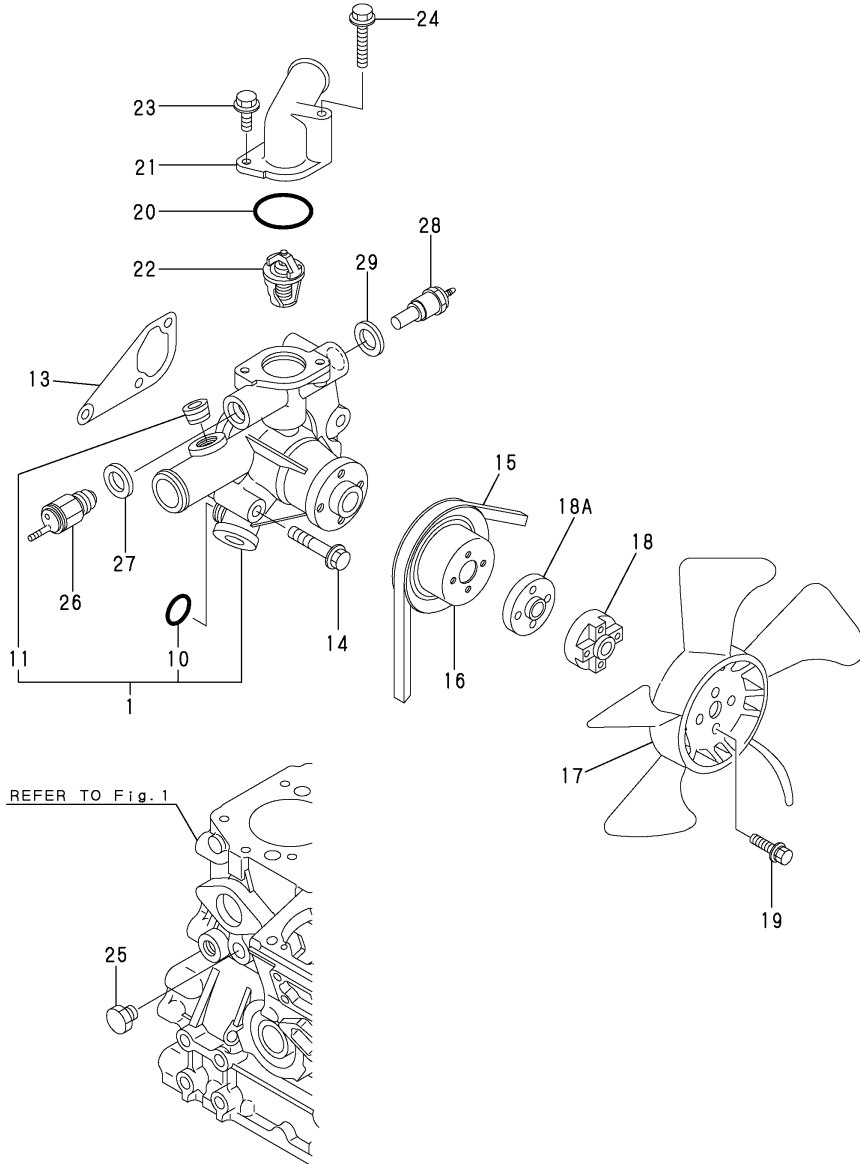
(A)=3TNE68-EBVA  
(B)=  
(C)=

(D)=  
(E)=  
(F)=

No.	Lev.	Parts No.	Description	Q'ty						I	R
				(A)	(B)	(C)	(D)	(E)	(F)		
1	1	119260-32000	PUMP ASSY, OIL	1							
11	1	119660-32020	GASKET, PUMP	1							
12	1	26450-060202	BOLT, M6X 20	3							
13	1	129132-34800	DIPSTICK, OIL	1							
14	1	121520-34810	GUIDE, DIPSTICK	1							
15	1	114250-39450	SWITCH, 0.5KG	1							
16	1	119209-35030	O-RING, P11	1							
17	1	119260-35081	PIPE, OIL INLET	1							
18	1	26106-060122	BOLT, M6X 12 PLATED	2							
18-1	1	26106-060102	BOLT, M6X 10 PLATED	2							N
(A=E/#B4088)											
19	1	119305-35170	FILTER ASSY, D68XL65	1							1
20	1	119225-35300	VALVE ASSY	1							
28	1	129150-35350	NUT	1							

Remarks  
(1) REPAIR PART.

Fig.9. COOLING WATER SYSTEM



(A)=3TNE68-EBVA  
(B)=  
(C)=

(D)=  
(E)=  
(F)=

No.	Lev.	Parts No.	Description	Q'ty						I	R
				(A)	(B)	(C)	(D)	(E)	(F)		
1	1	119244-42001	PUMP ASSY, WATER	1							
10	2	119225-42320	O-RING	1							
11	2	23876-030000	PLUG, R03	1							
13	1	119260-42021	GASKET, WATER PUMP	1							
14	1	26106-080452	BOLT, M8X 45 PLATED	3							
15	1	119225-42290	V-BELT, FM34.0	1							
15-1	1	25137-003400	V-BELT, M34	1							R
		(A=E/#A0115)									
16	1	119256-42360	V-PULLEY	1							
17	1	119233-44740	FAN, D=290XUH	1							
18	1	121267-44760	SPACER	1							
18A	1	129350-44760	SPACER	1							W
		(A=E/#79752)									
19	1	26106-060302	BOLT, M6X 30 PLATED	4							
20	1	119209-42140	O-RING, G 35	1							
21	1	119256-49530	COVER, THERMOSTAT	1							
21-1	1	119256-49531	COVER, THERMOSTAT	1							N
		(A=E/#78687)									
22	1	119260-49800	THERMOSTAT, 71	1							
22-1	1	119260-49801	THERMOSTAT, 71	1							N
		(A=E/#79148)									
23	1	26106-060162	BOLT, M6X 16 PLATED	1							
24	1	26106-060552	BOLT, M6X 55 PLATED	1							
25	1	171056-49120	PLUG, DRAIN	1							
26	1	121250-44901	SWITCH, 110	1							
27	1	124465-44950	GASKET, 16	1							
28	1	171056-49351	SENSOR	1							
29	1	129150-49360	GASKET	1							

Fig.10. FUEL INJECTION DEVICE

(A)=3TNE68-EBVA

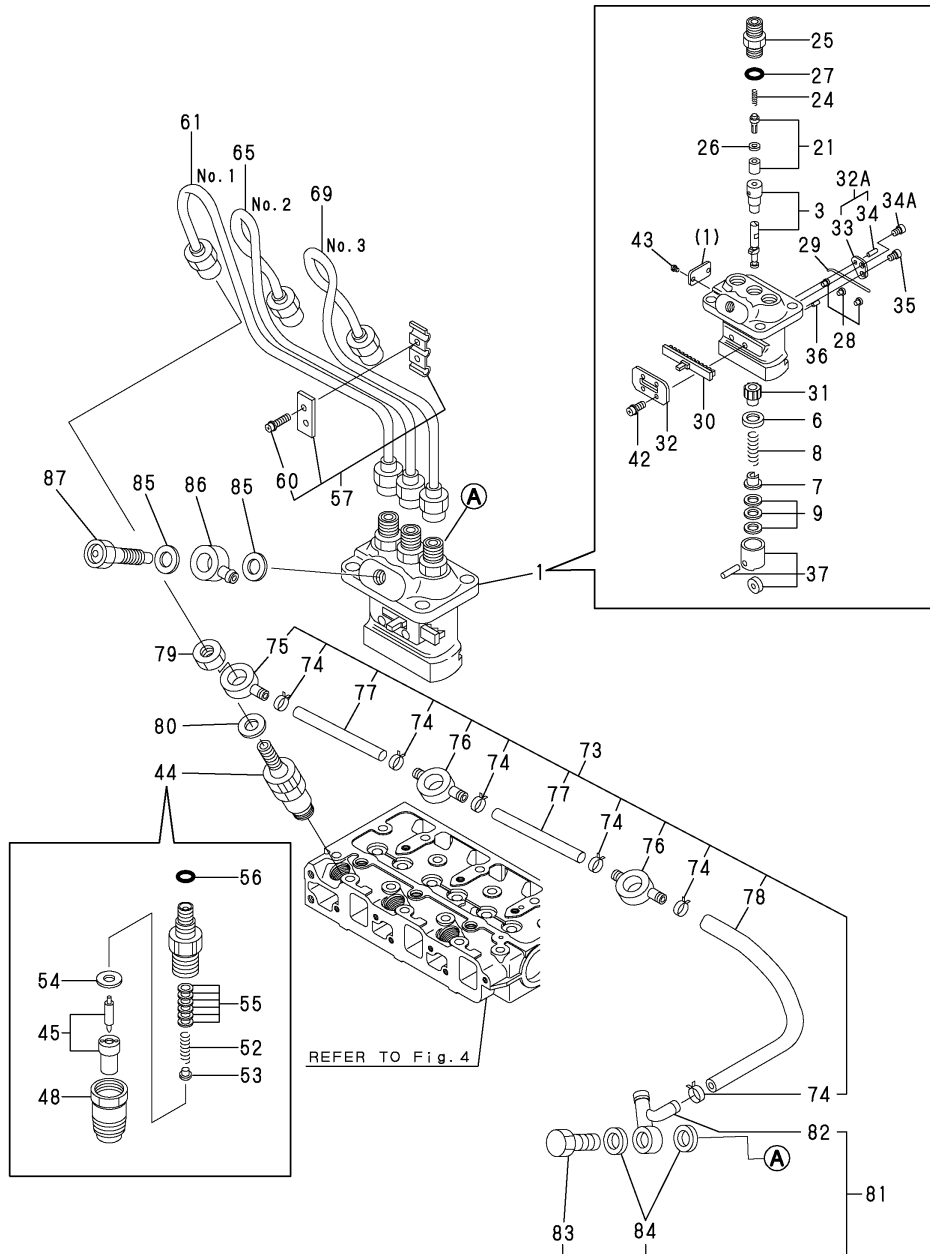
(B)=

(C)=

(D)=

(E)=

(F)=

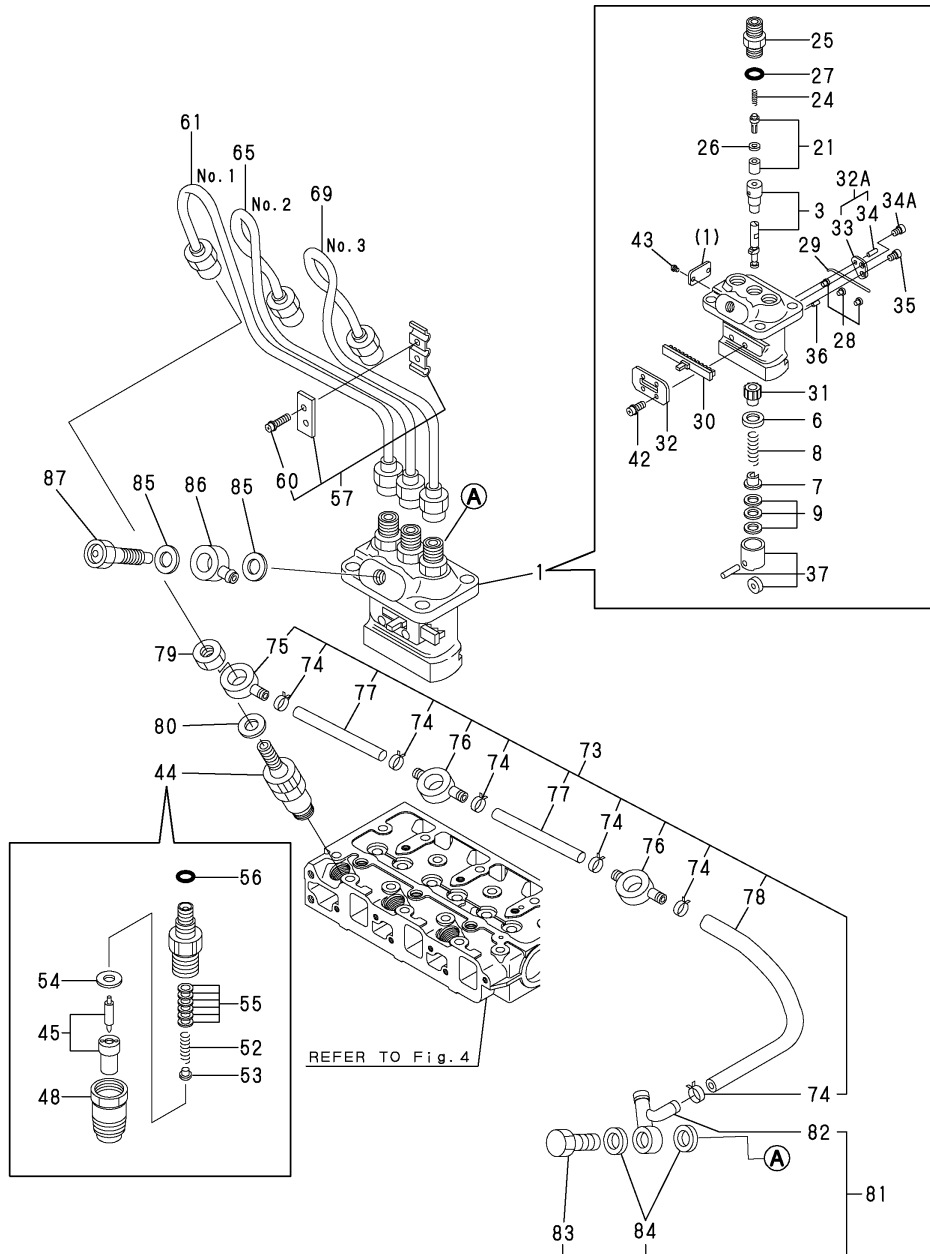


No.	Lev.	Parts No.	Description	Q'ty						I	R
				(A)	(B)	(C)	(D)	(E)	(F)		
1	1	719266-51100	PUMP ASSY, INJECTION	1							
3	2	119225-51100	PLUNGER ASSY	3							
6	2	119620-51170	RETAINER, SPRING A	3							
7	2	119620-51180	RETAINER, SPRING B	3							
8	2	119620-51190	SPRING, PLUNGER	3							
9	2	119620-51250	SHIM SET	3							
21	2	119225-51300	VALVE ASSY, DELIVERY	3							
24	2	105546-51330	SPRING, DELIVERY	3							
25	2	119620-51340	HOLDER, DELIVERY	3							
26	2	119620-51350	GASKET	3							
27	2	119620-51370	O-RING	3							
28	2	119620-51450	PIECE	3							
29	2	119620-51461	PIN	1							
30	2	119660-51500	RACK, CONTROL	1							
31	2	119620-51510	PINION	3							
32	2	119660-51530	RETAINER, RACK	1							
32A	2	119620-51640	PLATE ASSY, ADJUST	2							W
(A=E/#85947)											
33	3	119620-51650	PLATE	2							
34	3	119620-51670	PIN	2							
34A	2	119620-51660	SCREW	2							
35	2	26033-040102	SCREW, M4X10	2							
36	2	119620-51680	PIN	1							
37	2	119620-51700	TAPPET ASSY	3							
42	2	26022-040082	SCREW, M4X 8	4							
43	2	102210-07990	RIVET	2							
44	1	719255-53100	VALVE ASSY,INJECTION	3							
45	2	119620-53000	VALVE ASSY,INJECTION	3							
48	2	119620-53080	NUT, NOZZLE	3							
52	2	119620-53120	SPRING, NOZZLE	3							
53	2	114250-53130	SEAT, SPRING	3							
54	2	119620-53140	SPACER, VALVE STOP	3							
55	2	114250-53400	SHIM SET	3							
56	2	129155-61830	O-RING, S10	3							
57	1	129150-59120	RETAINER, PIPE	1							
60	2	129150-59131	BOLT, M4X14	2							
61	1	119209-59810	PIPE ASSY, INJECTION	1							
65	1	119209-59820	PIPE ASSY, INJECTION	1							
69	1	119209-59830	PIPE ASSY, INJECTION	1							
73	1	119266-59540	PIPE ASSY, FUEL	1							
74	2	124066-59100	CLIP, HOSE 8	6							
75	2	119260-59520	JOINT	1							
76	2	119260-59530	JOINT	2							
77	2	105025-59550	PIPE, FUEL RETURN	2							
78	2	119000-59560	PIPE, FUEL RETURN	1							
79	1	119620-59700	NUT, NOZZLE	3							
80	1	22190-140002	WASHER, SEAL 14	3							
81	1	119266-59501	JOINT ASSY, PIPE	1							Z
(A=E/#94536)											
82	1	119266-59570	JOINT, OVER FLOW	1							
83	1	119266-59580	BOLT, PIPE JOINT M8	1							

Fig.10. FUEL INJECTION DEVICE

(A)=3TNE68-EBVA  
(B)=  
(C)=

(D)=  
(E)=  
(F)=



No.	Lev.	Parts No.	Description	Q'ty						I	R
				(A)	(B)	(C)	(D)	(E)	(F)		
84	1	22190-080002	WASHER, SEAL 6	2							
85	1	22190-120002	WASHER, SEAL 12	2							
86	1	101304-59020	JOINT, PIPE 12	1							
87	1	105340-59190	BOLT ASSY, JOINT	1							

Fig.11. GOVERNOR

(A)=3TNE68-EBVA

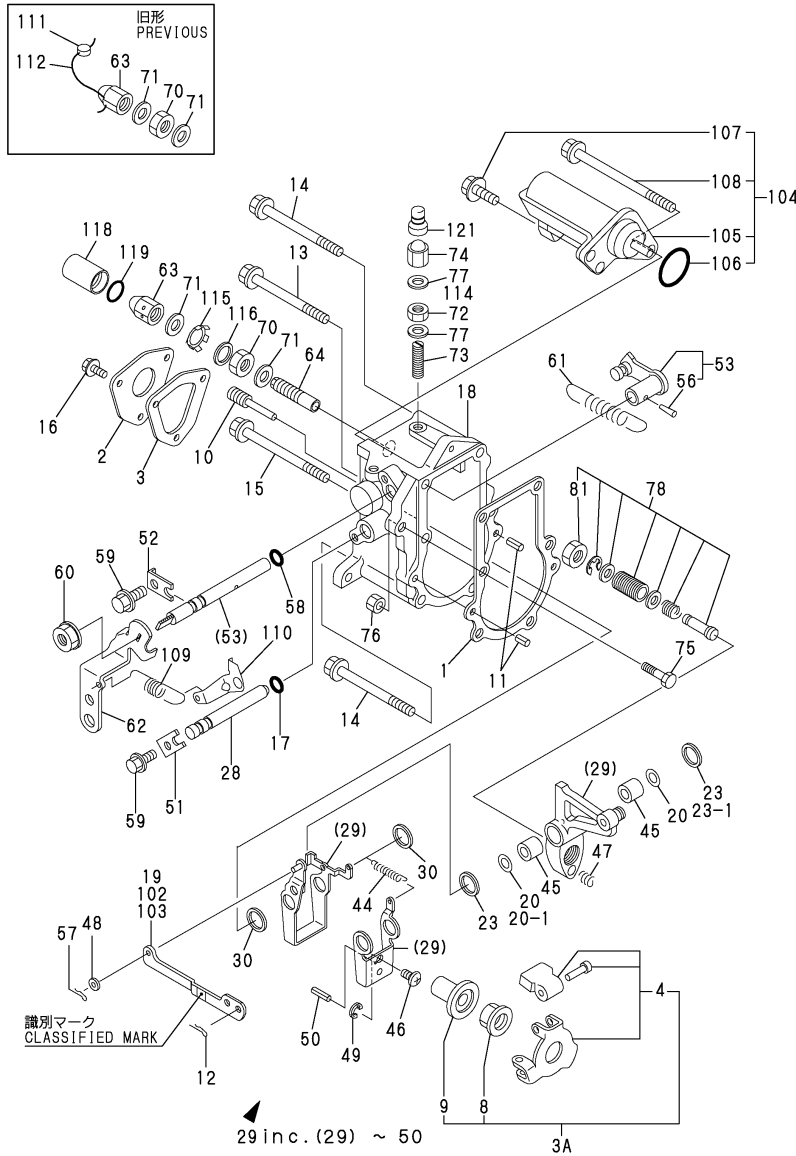
(B)=

(C)=

(D)=

(E)=

(F)=



No.	Lev.	Parts No.	Description	Q'ty						I	R
				(A)	(B)	(C)	(D)	(E)	(F)		
1	1	119660-61052	GASKET	1							
1-1	1	119660-61053	GASKET	1							S
(A=E/#94434)											
2	1	119660-61060	COVER, GOVERNOR CASE	1							
3	1	119660-61071	GASKET	1							
3A	1	119600-61300	DRIVE ASSY	1							W
(A=FROM 1ST)											
4	2	119600-61400	WEIGHT ASSY,GOVERNOR	1							
8	2	119660-61300	NUT	1							
9	2	119660-61341	SLEEVE	1							
10	1	124250-03640	SCREW	1							
11	1	22351-040010	PIN, SPRING 4.0X10	2							
12	1	22360-060000	PIN, SNAP 6	1							
13	1	26106-060702	BOLT, M6X 70 PLATED	2							
14	1	26106-060702	BOLT, M6X 70 PLATED	2							
15	1	26106-060702	BOLT, M6X 70 PLATED	1							
16	1	26116-050102	BOLT, M5X 10 PLATED	3							
17	1	129155-51280	O-RING, S6	1							
18	1	119285-61012	CASE, GOVERNOR	1							
18-1	1	119285-61013	CASE, GOVERNOR	1							N
(A=E/#94434)											
19	1	119660-61121	LINK, NO MARK	1							1
19-1	1	119660-61122	LINK, NO MARK	1							R 1
(A=E/#94434)											
20	1	119660-61460	SHIM SET	2							
20-1	1	129156-61500	SHIM, T=0.5	1							N
(A=E/#94434)											
23	1	129155-61480	SPACER ASSY	2							
23-1	1	119632-61500	SHIM SET	1							N
(A=E/#94434)											
28	2	119660-61590	SHAFT	1							
29	1	119232-61510	LEVER ASSY, GOVERNOR	2							
30	2	174307-51700	SHIM SET	2							
44	2	119232-61540	SPRING	1							
45	3	114770-61520	BEARING, NEEDLE	2							
46	2	119600-61541	SHIFTER	1							
47	2	119660-61651	SPRING, STARTING	1							
48	2	22117-040000	WASHER, 4	1							
49	2	22272-000040	RING, E- 4	1							
50	2	22351-030014	PIN, SPRING 3.0X14	1							
51	1	119600-61900	RETAINER, SHAFT	1							
52	1	119660-61901	RETAINER, SHAFT	1							
53	1	119285-66080	SHAFT ASSY	1							
56	2	22322-030160	PIN, TAPER 3X16	1							
57	1	22360-040000	PIN, SNAP 4	1							
58	1	24341-000070	O-RING, 1AS7.0	1							
59	1	26106-060102	BOLT, M6X 10 PLATED	2							
60	1	194990-22050	NUT, M8	1							
61	1	119621-66021	SPRING, REGULATOR	1							
62	1	119640-66051	HANDLE, REGULATOR	1							
63	1	129100-61930	NUT, CAP	1							

Remarks

- (1)SELECTION USE PARTS:CERTAIN THE CLASSIFICATION MARK,THEN PLACE YOUR ORDER(REFER TO ILLUSTRATION).
- (2)REPAIR PART.

Fig.11. GOVERNOR

(A)=3TNE68-EBVA

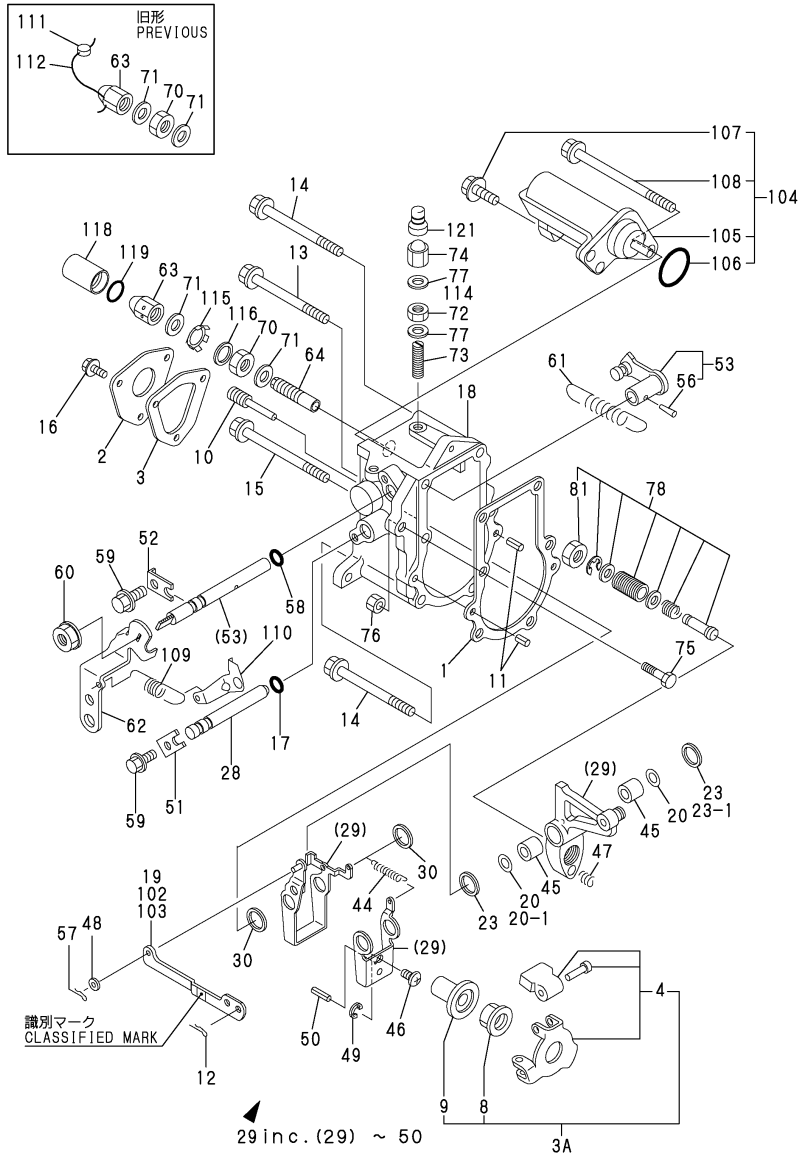
(B)=

(C)=

(D)=

(E)=

(F)=



No.	Lev.	Parts No.	Description	(A)	(B)	(C)	Qty	(D)	(E)	(F)	I	R
64	1	119600-66530	LIMITER ASSY, FUEL	1								
64-1	1	119233-61410	LIMITER ASSY, FUEL	1								N
(A=E/#78687)												
64-2	1	119640-66510	LIMITER ASSY, FUEL	1								N
(A=E/#78687)												
64-3	1	119233-61450	LIMITER ASSY, FUEL	1								N
(A=E/#79148)												
70	1	26736-120002	NUT, M12	1								
71	1	22190-120002	WASHER, SEAL 12	2								
72	1	124550-66370	NUT, M6	1								
72-1	1	26857-060002	NUT, M6	1								S
(A=E/#82305)												
73	1	121575-66830	SCREW	1								
74	1	119600-66840	NUT, CAP	1								
74-1	1	119285-66600	NUT, CAP M6	1								S
(A=E/#82305)												
75	1	26116-060304	BOLT, M6X 30 PLATED	1								
75-1	1	119266-61460	BOLT	1								R
(A=E/#84910)												
76	1	26756-060002	NUT, LOCK M6	1								
77	1	22190-060003	SEAL WASER 6	2								
77-1	1	22190-060003	SEAL WASER 6	1								K
(A=E/#82305)												
78	1	119610-66700	ANGLEICH ASSY	1								
81	2	129155-61590	NUT, LOCK	1								
102	1	119660-61140	LINK, MARK :2	1								1
102-1	1	119660-61141	LINK, MARK A	1								R 1
(A=E/#94434)												
103	1	119660-61150	LINK, MARK :3	1								1
103-1	1	119660-61151	LINK, MARK :B	1								R 1
(A=E/#94434)												
104	1	119233-66500	STOPPER ASSY	1								
105	2	119233-77952	SOLENOID	1								
106	2	24341-000280	O-RING, 1AS28.0	1								
107	2	26106-060162	BOLT, M6X 16 PLATED	1								
108	2	26106-060952	BOLT, M6X 95 PLATED	1								
108-1	2	119620-01530	BOLT	1								N
(A=E/#80521)												
109	1	119840-61870	SPRING	1								
110	1	119656-66910	HOOK	1								
111	1	135210-61090	LEAD	1								Z
(A=E/#82305)												
112	1	22451-060000	WIRE, 0.6	1								Z
(A=E/#82305)												
114	1	119285-66620	GASKET	1								W
(A=E/#82305)												
115	1	129209-61970	PLATE	1								W
(A=E/#82305)												
116	1	23414-120016	GASKET, 12X1.0	1								W
(A=E/#82305)												
118	1	129209-61960	CASE	1								W 2

Remarks

- (1)SELECTION USE PARTS:CERTAIN THE CLASSIFICATION MARK,THEN PLACE YOUR ORDER(REFER TO ILLUSTRATION).
- (2)REPAIR PART.





Fig.12. STARTING MOTOR

(A)=3TNE68-EBVA

(B)=

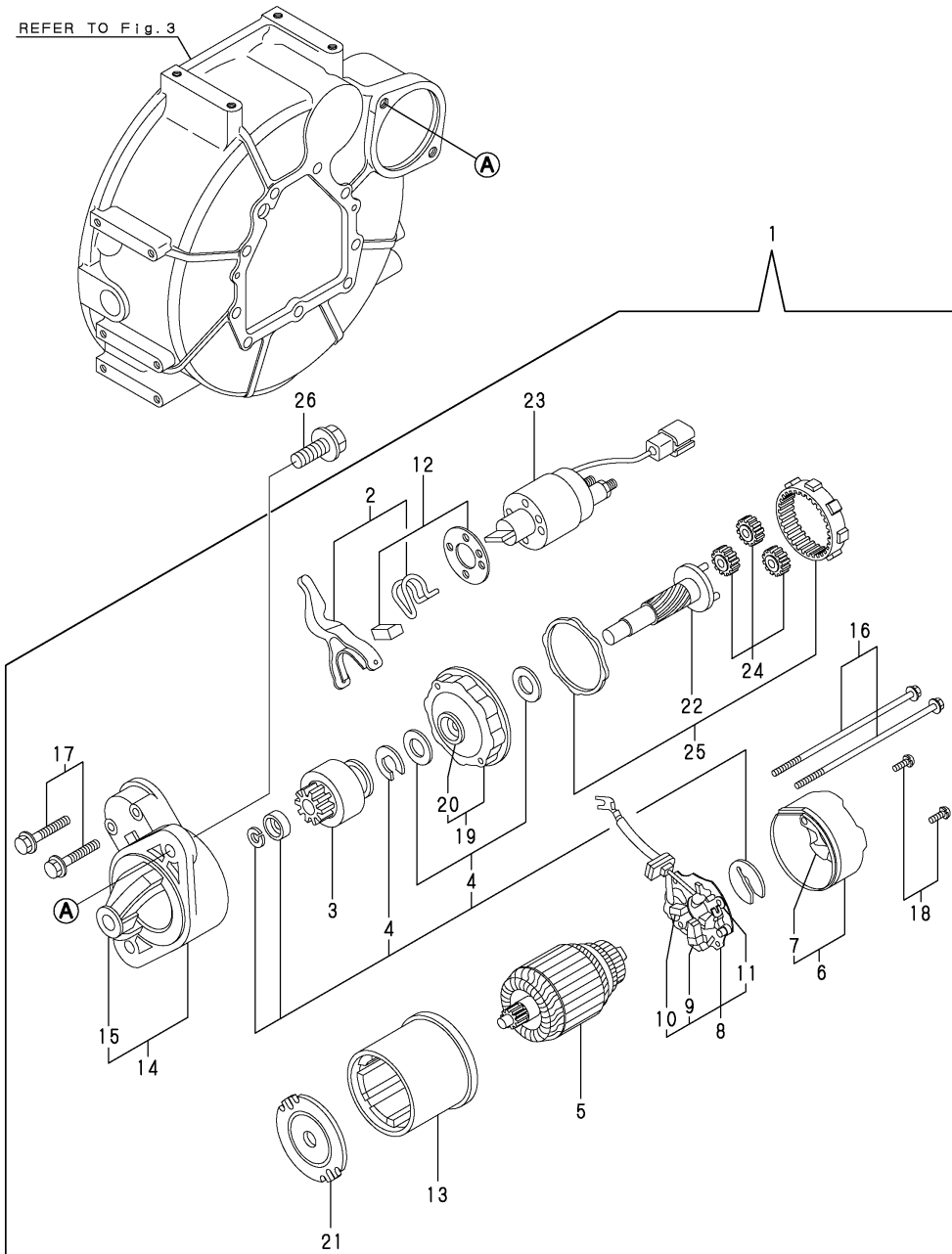
(C)=

(D)=

(E)=

(F)=

REFER TO Fig.3

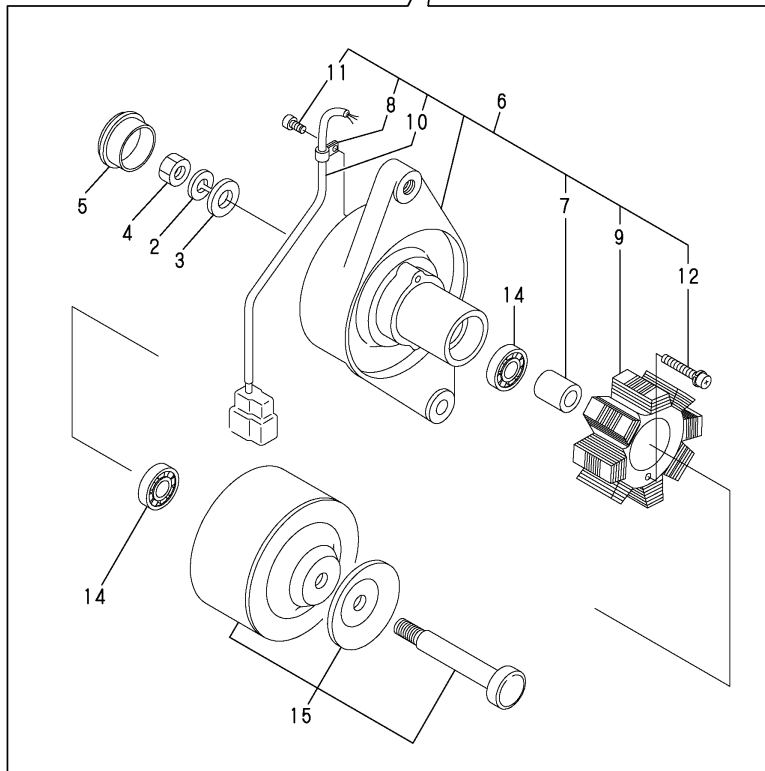
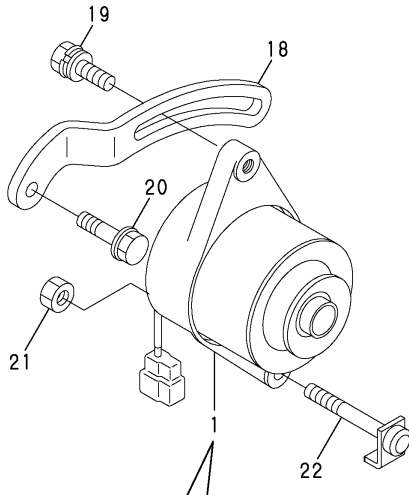


No.	Lev.	Parts No.	Description	Q'ty						I	R
				(A)	(B)	(C)	(D)	(E)	(F)		
1	1	119233-77010	STARTER ASSY	1							
2	2	129698-77270	LEVER SET, SHIFT	1							
3	2	119233-77660	PINION ASSY	1							
4	2	129698-77250	WASHER SET	1							
5	2	129698-77101	ARMATURE ASSY	1							
6	2	119698-77161	COVER	1							
7	3	129698-77170	BEARING	1							
8	2	129698-77120	HOLDER ASSY, BRUSH	1							
9	3	129698-77130	BRUSH	2							
10	3	129698-77140	BRUSH SET	1							
11	3	129698-77150	SPRING, BRUSH	4							
12	2	129698-77280	COVER KIT	1							
13	2	129698-77110	YOKE ASSY	1							
14	2	119233-77520	CASE ASSY, GEAR	1							
15	3	X2114535200	METAL, STARTER	1							
16	2	124195-77770	BOLT, THROUGH	2							
17	2	114371-79070	BOLT	2							
18	2	26022-040122	SCREW, M4X12	2							
19	2	129698-77180	BRACKET	1							
20	3	129698-77190	BRACKET	1							
21	2	129698-77210	BRACKET	1							
22	2	129698-77230	SHAFT	1							
23	2	124298-77020	SWITCH, MAGNETIC	1							
23-1	2	129698-77020	SWITCH ASSY	1							R
(A=FROM 1ST)											
24	2	129698-77240	GEAR	3							
25	2	129698-77200	GEAR, INTERNAL	1							
26	1	26106-100252	BOLT, M10X 25 PLATED	2							

Fig.13. GENERATOR

(A)=3TNE68-EBVA  
(B)=  
(C)=

(D)=  
(E)=  
(F)=

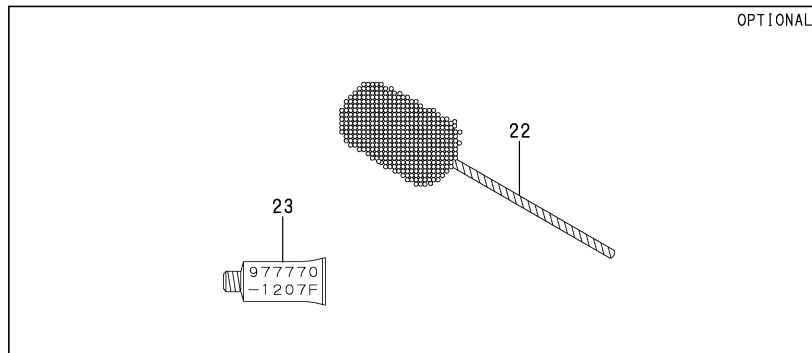
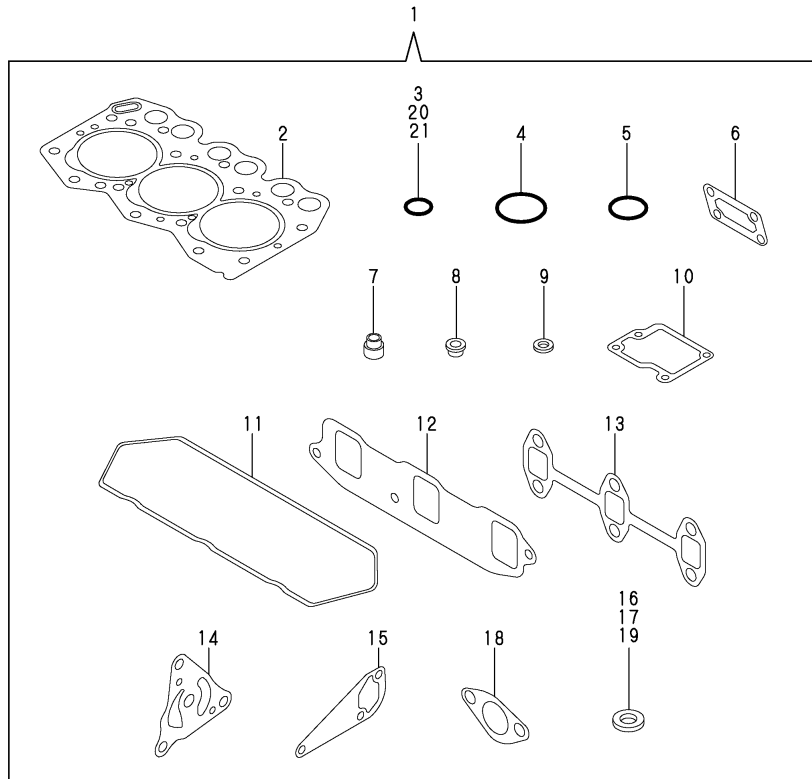


No.	Lev.	Parts No.	Description	Q'ty						I	R
				(A)	(B)	(C)	(D)	(E)	(F)		
1	1	119626-77200	DYNAMO ASSY	1							
2	2	XM219230000	WASHER	1							
3	2	XM860250000	WASHER	1							
4	2	XM863720000	NUT	1							
5	2	XM771870000	CAP	1							
6	2	129118-77210	PLATE ASSY	1							
7	3	XM329830000	COLLAR	1							
8	3	XM069000000	CLAMP	1							
9	3	X3A02982KA0	STATOR ASSY	1							
10	3	XM771860000	COUPLER	1							
11	3	XYSPS400800	SCREW	1							
12	3	119259-77250	SCREW	2							
14	2	24104-062010	BEARING, 6201UUC3	2							
15	2	129150-77230	FLYWHEEL ASSY	1							
18	1	119650-77330	ADJUSTER	1							
19	1	26014-080252	BOLT, M8X 25	1							
20	1	26106-080202	BOLT, M8X 20 PLATED	1							
21	1	26306-080002	NUT, M8	1							
22	1	119325-77250	BOLT, M8X56	1							

Fig.14. GASKET SET & TOOLS

(A)=3TNE68-EBVA  
(B)=  
(C)=

(D)=  
(E)=  
(F)=



No.	Lev.	Parts No.	Description	Q'ty						I	R
				(A)	(B)	(C)	(D)	(E)	(F)		
1	1	719265-92670	GASKET SET	1							1
2	2	119265-01341	GASKET, HEAD	1							
3	2	24311-000120	O-RING, 1AP12.0	2							
4	2	24311-000320	O-RING, 1AP32.0	2							
5	2	24341-000240	O-RING, 1AS24.0	1							
6	2	119660-01562	GASKET	1							
7	2	119260-11340	SEAL, VALVE STEM	6							
8	2	119600-11450	PROTECTOR, NOZZLE	3							
9	2	119600-11460	GASKET, NOZZLE	6							
10	2	119260-03031	GASKET	1							
11	2	119260-11310	GASKET, BONNET	1							
12	2	119270-12110	GASKET, MANIFOLD	1							
13	2	119260-13110	GASKET	1							
14	2	119660-32020	GASKET, PUMP	1							
15	2	119260-42021	GASKET, WATER PUMP	1							
16	2	124465-44950	GASKET, 16	2							
17	2	22190-140002	WASHER, SEAL 14	3							
18	2	121520-01851	GASKET	1							
19	2	22190-120002	WASHER, SEAL 12	2							
20	2	119209-35030	O-RING, P11	1							
21	2	119624-32040	O-RING, P12.0	2							
22	1	129400-92400	HONE	1							1
23	1	977770-1207F	GASKET.LIQUID	1							1

Remarks  
(1)OPTIONAL

## Parts No. Index

Parts No.	Fig. No.	Ref. No.
101304-59020	10	86
102210-07990	10	43
105010-11230	4	48
		52
105025-59550	10	77
105340-59190	10	87
105425-01690	3	13
105546-51330	10	24
114250-11120	4	26
114250-11180	4	27
114250-39450	8	15
114250-53130	10	53
114250-53400	10	55
114371-79070	12	17
114770-61520	11	45
118400-03060	4	5
119000-59560	10	78
119131-18320	5	9
119209-35030	8	16
	14	20
119209-42140	9	20
119209-59810	10	61
119209-59820	10	65
119209-59830	10	69
119225-07910	4	10
119225-14210	6	9
119225-35300	8	20
119225-42290	9	15
119225-42320	9	10
119225-51100	10	3
119225-51300	10	21
119230-01600	3	2
119232-61510	11	29
119232-61540	11	44
119233-01760	3	12
119233-07900	4	36
119233-13100	5	5
119233-21590	7	7
119233-21670	7	10
119233-44740	9	17
119233-61410	11	64 -1
119233-61450	11	64 -3
119233-66500	11	104
119233-77010	12	1
119233-77520	12	14
119233-77660	12	3
119233-77952	11	105
119244-42001	9	1
119256-42360	9	16
119256-49530	9	21

Parts No.	Fig. No.	Ref. No.
119256-49531	9	21 -1
119259-77250	13	12
119260-01490	2	1
119260-01510	2	3
119260-01590	2	6
119260-02020	1	10
119260-02800	1	14
119260-02870	1	23
119260-02930	1	17
119260-03020	4	6
119260-03031	4	7
	14	10
119260-11100	4	24
119260-11110	4	25
119260-11200	4	37
119260-11240	4	39
119260-11260	4	42
119260-11270	4	43
119260-11280	4	44
119260-11310	4	9
	14	11
119260-11331	4	1
119260-11340	4	29
	14	7
119260-11370	4	30
119260-11800	4	19
119260-13110	5	6
	14	13
119260-14100	6	3
119260-14200	6	7
119260-14400	6	6
119260-14580	6	1
119260-23910	7	30
119260-25100	6	20
119260-25912	6	23
119260-32000	8	1
119260-35081	8	17
119260-42021	9	13
	14	15
119260-49800	9	22
119260-49801	9	22 -1
119260-59520	10	75
119260-59530	10	76
119265-01250	1	6
119265-01341	1	22
	14	2
119265-11260	4	42 A
119265-11700	4	16
119265-13800	5	10 -1
119265-13810	5	8 -1

Parts No.	Fig. No.	Ref. No.
119265-13840	5	7 -1
119265-21700	7	1
119265-22300	7	22
119265-22500	7	16
119265-22601	7	14
119265-22930	7	31
119265-22950	7	33
119265-23100	7	24
119265-23200	7	27
119266-01200	1	21
119266-02410	1	13
119266-59501	10	81
119266-59540	10	73
119266-59570	10	82
119266-59580	10	83
119266-61460	11	75 -1
119270-12110	5	2
	14	12
119275-12101	5	1
119285-61012	11	18
119285-61013	11	18 -1
119285-66080	11	53
119285-66600	11	74 -1
119285-66620	11	114
119285-66650	11	121
119305-35170	8	19
119325-77250	13	22
119454-01721	3	11
119600-11450	4	23
	14	8
119600-11460	4	31
	14	9
119600-61300	11	3 A
119600-61400	11	4
119600-61541	11	46
119600-61900	11	51
119600-66530	11	64
119600-66840	11	74
119610-66700	11	78
119620-01530	11	108 -1
119620-01620	3	6
119620-01750	3	4
119620-01800	2	8
119620-02450	6	4
119620-11350	4	12
119620-21500	7	6
119620-21941	7	13
119620-51170	10	6
119620-51180	10	7
119620-51190	10	8

Parts No.	Fig. No.	Ref. No.
119620-51250	10	9
119620-51340	10	25
119620-51350	10	26
119620-51370	10	27
119620-51450	10	28
119620-51461	10	29
119620-51510	10	31
119620-51640	10	32 A
119620-51650	10	33
119620-51660	10	34 A
119620-51670	10	34
119620-51680	10	36
119620-51700	10	37
119620-53000	10	45
119620-53080	10	48
119620-53120	10	52
119620-53140	10	54
119620-59700	10	79
119620-77820	4	54
119621-21680	7	12
119621-66021	11	61
119623-01950	2	10
119624-32040	2	18
	14	21
119626-77200	13	1
119632-61500	11	23 -1
119640-66051	11	62
119640-66510	11	64 -2
119650-77330	13	18
119656-66910	11	110
119660-01551	2	24
119660-01562	2	25
	14	6
119660-01570	2	26
119660-01640	3	7
119660-01651	3	8
119660-01821	6	8
119660-01911	2	9
119660-25022	6	18
119660-25052	6	19
119660-25920	6	14
119660-25930	6	15
119660-32020	8	11
	14	14
119660-51500	10	30
119660-51530	10	32
119660-61052	11	1
119660-61053	11	1 -1
119660-61060	11	2
119660-61071	11	3

## Parts No. Index

Parts No.	Fig. No.	Ref. No.
119660-61121	11	19
119660-61122	11	19 -1
119660-61140	11	102
119660-61141	11	102 -1
119660-61150	11	103
119660-61151	11	103 -1
119660-61300	11	8
119660-61341	11	9
119660-61460	11	20
119660-61590	11	28
119660-61651	11	47
119660-61901	11	52
119698-77161	12	6
119840-61870	11	109
121023-01550	2	30
121023-01551	2	30 -1
121120-01620	3	3
121250-44901	9	26
121267-44760	9	18
121450-01560	2	4
121520-01851	2	33
	14	18
121520-01860	2	34
121520-34810	8	14
121575-66830	11	73
124060-01050	1	4
124066-59100	10	74
124085-02220	3	9
124160-01751	2	27
	4	55
124160-11360	4	14
124195-77770	12	16
124250-03640	11	10
124298-77020	12	23
124465-44950	9	27
	14	16
124550-66370	11	72
124950-21600	7	9
129100-01580	3	1
	7	5
129100-61930	11	63
129118-77210	13	6
129132-34800	8	13
129150-35350	8	28
129150-49360	9	29
129150-59120	10	57
129150-59131	10	60
129150-77230	13	15
129155-51280	11	17
129155-61480	11	23

Parts No.	Fig. No.	Ref. No.
129155-61590	11	81
129155-61830	10	56
129155-77801	4	53
129156-61500	11	20 -1
129209-61960	11	118
129209-61970	11	115
129350-44760	9	18 A
129400-92400	14	22
129698-77020	12	23 -1
129698-77101	12	5
129698-77110	12	13
129698-77120	12	8
129698-77130	12	9
129698-77140	12	10
129698-77150	12	11
129698-77170	12	7
129698-77180	12	19
129698-77190	12	20
129698-77200	12	25
129698-77210	12	21
129698-77230	12	22
129698-77240	12	24
129698-77250	12	4
129698-77270	12	2
129698-77280	12	12
135210-61090	11	111
171056-49120	9	25
171056-49351	9	28
174307-51700	11	30
194990-22050	2	17
	11	60
22117-040000	11	48
22190-060003	11	77
		77 -1
22190-080002	10	84
22190-120002	10	85
	11	71
	14	19
22190-140002	10	80
	14	17
22190-160002	3	15
22242-000100	4	38
22242-000200	6	24
22252-000200	7	23
22272-000040	11	49
22322-030160	11	56
22351-030010	7	11
22351-030014	11	50
22351-040010	2	5
	11	11

Parts No.	Fig. No.	Ref. No.
22351-060012	4	34
22360-040000	11	57
22360-060000	11	12
22451-060000	11	112
22512-040120	6	5
		11
22857-500100	4	8
23065-120700	4	13
23414-120016	11	116
23876-030000	4	21
	9	11
24101-062034	6	26
24102-063034	6	13
24104-062010	13	14
24311-000120	4	15
	14	3
24311-000150	11	119
24311-000320	2	28
	4	56
	14	4
24341-000070	11	58
24341-000240	2	31
	14	5
24341-000280	11	106
25137-003400	9	15 -1
26014-080252	13	19
26022-040082	10	42
26022-040122	12	18
26033-040102	10	35
26106-060102	3	16
	8	18 -1
	11	59
26106-060122	1	20
	6	25
	8	18
26106-060162	2	19
		32
		35
	5	3
	6	16
	9	23
	11	107
26106-060222	3	10
26106-060282	5	4
26106-060302	2	20
	9	19
26106-060402	2	21
	5	7
26106-060452	3	17
26106-060502	2	22

Parts No.	Fig. No.	Ref. No.
26106-060552	9	24
26106-060652	2	23
26106-060702	11	13
		14
		15
26106-060952	11	108
26106-080142	4	32
		33
26106-080202	13	20
26106-080452	4	35
	9	14
26106-100252	12	26
26116-050102	11	16
26116-060304	11	75
26206-100252	3	5
26216-060402	5	8
26306-080002	4	11
	13	21
26366-060002	2	29
	5	10
26450-060202	8	12
26587-080102	6	17
26736-120002	11	70
26756-060002	4	46
		50
	11	76
26857-060002	11	72 -1
27221-050080	4	22
27221-060100	1	5
27241-100000	1	7
27241-250000	1	8
27241-300000	1	9
27241-350000	4	18
27310-055001	4	28
719255-53100	10	44
719260-11650	4	45
719260-11660	4	49
719260-23600	7	28
719260-23610	7	37
719265-01560	1	1
719265-92670	14	1
719266-51100	10	1
977770-1207F	14	23
X2114535200	12	15
X3A02982KA0	13	9
XM069000000	13	8
XM219230000	13	2
XM329830000	13	7
XM771860000	13	10
XM771870000	13	5

# Parts No. Index

Parts No.	Fig. No.	Ref. No.
XM860250000	13	3
XM863720000	13	4
XYSPS400800	13	11

Parts No.	Fig. No.	Ref. No.
-----------	----------	----------

Parts No.	Fig. No.	Ref. No.
-----------	----------	----------

Parts No.	Fig. No.	Ref. No.
-----------	----------	----------