

0CB10-M65900EN

Directions for the Parts Catalog.

1. This Parts Catalog shows both standard and optional parts.
2. Parts may change without prior notice.
3. The following is an example of the Parts Catalog format.

REF.	LEV.	PARTS NO.	DESCRIPTION	Q'TY						I	R
				(A)	(B)	(C)	(D)	(E)	(F)		
1	1	729595-51390	FUEL INJECTION PUMP	1	1	1	1	1			1
1-1	1	729595-51391	FUEL INJECTION PUMP	1	1	1	1	1		N	1
		(A=E00185) (B=E00200)									
3	2	26022-060162	SCREW M 6X 16	9	9	9	9	9			
3-1	2	26022-060162	SCREW M 6X 16	4	4	4	4	4		K	
		(A=E00156) (B=E00156) (C=E00156) (D=E00156) (E=E00156)									
4	2	129470-51040	CAMSHAFT	1	1	1	1	1			
5	2	122710-51050	BEARING, ROLLER	2	2	2	2	2			
6	2	129470-51060	RETAINER	1	1	1	1	1			

Remarks
(1) BOOST COMPEMSATOR TYPE. OPTIONAL PART, TO E00155,(4JH-DT, 4JH-DTZ

① Ref. No.

The Ref. No. listed may not be in accordance with the illustration Ref. No.

(Ex.) Illustration No.

List Ref No.

1

1

(Before change)

1-1

(After change)

For interchangeable symbols N, R and K, illustrations for new parts may be abbreviated.

② Lev. (Level)

Level indication

The numbers below indicate the level of relativity towards the main part.

1 ----- Main parts (Assembly parts)

2 ----- Sub component included in " 1 ".

3 ----- Sub component included in " 2 ".

Note) Parts that are not for sale are partially illustrated but not listed.

③ Interchangeability Symbol

When a part change takes place, one of the following interchangeability symbols is indicated beside the part.

Symbol	Interchangeability	Contents note
N	Old $\begin{matrix} \leftarrow \text{Yes} \\ \text{No} \rightarrow \end{matrix}$ New	New Part is interchangeable for Old Part but Old Part is not interchangeable for New Part.
Q	Old $\begin{matrix} \leftarrow \text{No} \\ \text{Yes} \rightarrow \end{matrix}$ New	New Part is not interchangeable for Old Part but Old Part is interchangeable for New Part.
R	Old $\begin{matrix} \leftarrow \text{Yes} \\ \text{Yes} \rightarrow \end{matrix}$ New	New/ Old Parts are both interchangeable.
S	Old $\begin{matrix} \leftarrow \text{No} \\ \text{No} \rightarrow \end{matrix}$ New	New/ Old Parts are both not interchangeable.
W		Part newly added.
Z		Part discontinued.
F		Not interchangeable by a single part but interchangeable together with related parts.
K		Changes only for used parts quantities.

④ Effective Machine No.

When a part changes, the effective Machine No. will be indicated in the (A)-(F) column.

Product Symbol	Product No.	Product Symbol	Product No.
C	Clutch No. Compressor No.	F	Machine No. (Agricultural Equip.)
D	Drive No.	M	Machine No.
E	Engine No.		

Note 1) A date may follow the symbol. (Ex.) 1996.01

Note 2) "XXXXX" and "ZZZZZ" are for parts that could not be predicted or for engine models that could not be identified.

Note 3) (A=E00185) is the E (Engine Serial Number) for the column (A) model (in this case 4JH-DT) after the parts design change.

⑤ Remarks

Figures or alphabets (symbols) are entered in the remarks column.

The comments (remarks) on parts that are indicated at the bottom of the illustration are the same symbols as those stated above.

Contents

Fig. No. Fig. Name

Fig. No. Fig. Name

3TNE78A-EJKE

1. CYLINDER BLOCK
2. GEAR HOUSING
3. MOUNTING FLANGE & OIL SUMP
4. CYLINDER HEAD & BONNET
5. SUCTION MANIFOLD & AIR CLEANER
6. EXHAUST MANIFOLD & SILENCER
7. CAMSHAFT & DRIVING GEAR
8. CRANKSHAFT & PISTON
9. HYDRAULIC PUMP
10. LUB.OIL SYSTEM
11. COOLING WATER SYSTEM
12. FUEL INJECTION PUMP
13. GOVERNOR
14. FUEL INJECTION VALVE
15. STARTING MOTOR
16. GENERATOR
17. GASKET SET(CYLINDER BLOCK)
18. GASKET SET(CYLINDER HEAD)

Fig.1. CYLINDER BLOCK

(A)=3TNE78A-EJKE

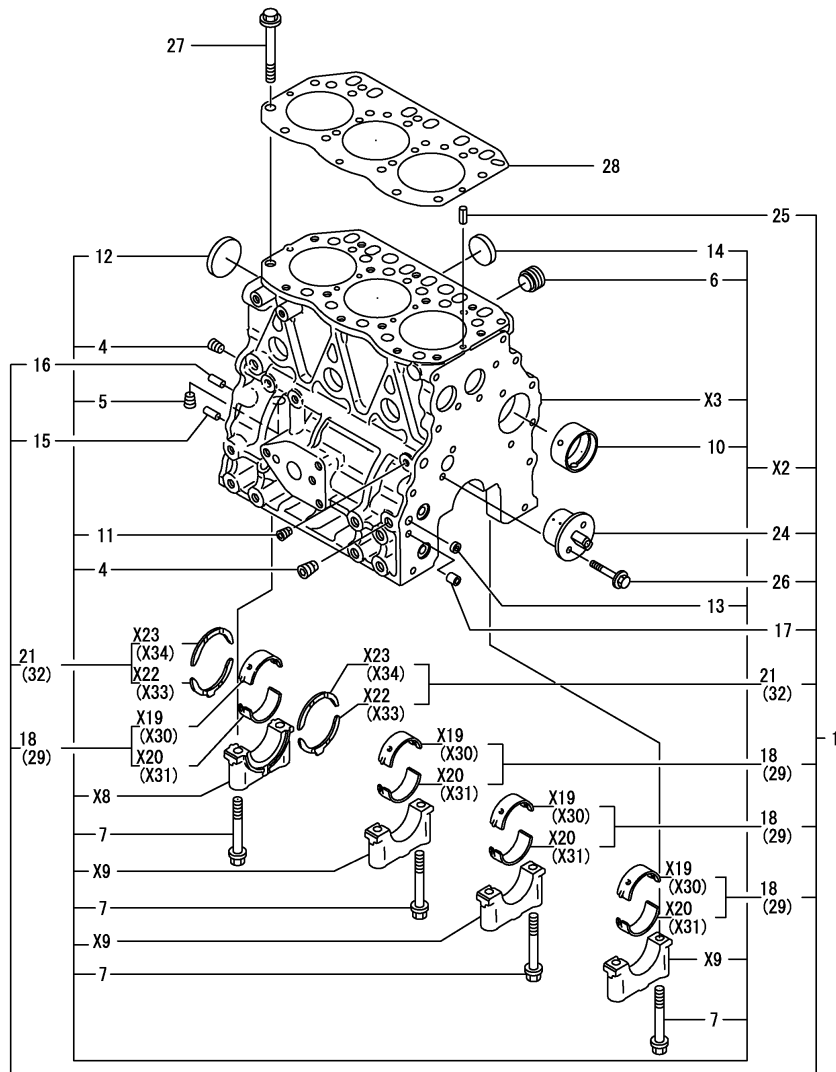
(B)=

(C)=

(D)=

(E)=

(F)=



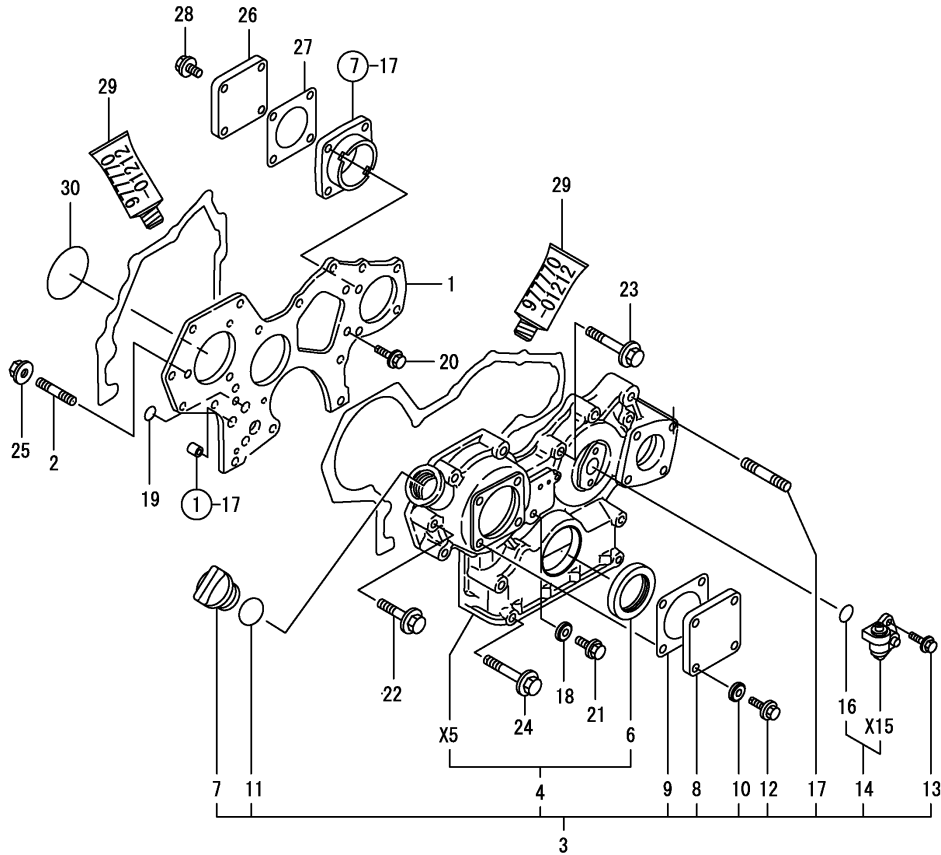
x-MARK PARTS:NOT SOLD SEPARATELY.

No.	Lev.	Parts No.	Description	Q'ty						I	R
				(A)	(B)	(C)	(D)	(E)	(F)		
1	1	719822-01560	BLOCK ASSY, CYLINDER	1							
4	3	124160-01910	PLUG, PT1/4	2							
5	3	124160-01910	PLUG, PT1/4	1							
6	3	171051-01921	PLUG, NPTF1	1							
7	3	119620-02020	BOLT, METAL CAP	8							
10	3	129795-02411	BUSH, CAMSHAFT	1							
11	3	23876-010000	PLUG, R01	1							
12	3	129001-01250	PLUG, 50	1							
13	3	27241-120000	PLUG, 12	2							
14	3	27241-300000	PLUG 30	6							
15	2	129100-01580	PIN, M8X16	2							
16	2	129100-01580	PIN, M8X16	2							
17	2	129795-01950	PIPE, KNOCK L=18	2							
18	2	119810-02800	BEARING, MAIN	4							
21	2	119810-02930	BEARING, THRUST	1							
24	2	129100-25061	SHAFT, IDLE	1							
25	2	22351-060012	PIN, SPRING 6.0X12	2							
26	2	26106-080452	BOLT, M8X 45 PLATED	2							
27	1	119810-01200	BOLT, HEAD	14							
28	1	119818-01330	GASKET, HEAD	1							
29	1	119810-02870	BEARING, 0.25 US	4							1
32	1	119810-02940	BEARING, THRUST 0.25	2							2

Remarks

- (1) UNDER-SIZE(U.S=0.25)PART.
- (2) OVER-SIZE(O.S=0.25)PART.

Fig.2. GEAR HOUSING



(A)=3TNE78A-EJKE

(B)=

(C)=

(D)=

(E)=

(F)=

No.	Lev.	Parts No.	Description	Q'ty						I	R
				(A)	(B)	(C)	(D)	(E)	(F)		
1	1	129100-01520	FLANGE, GEAR CASE	1							
2	1	121450-01560	STUD, M8X22	3							
3	1	119923-01580	CASE ASSY, GEAR	1							
4	2	129100-01590	CASE ASSY, GEAR	1							
6	3	129795-01800	SEAL, OIL	1							
7	2	124160-01751	COVER, FILLER	1							
8	2	124240-01871	COVER	1							
9	2	124240-01883	GASKET	1							
10	2	22190-080002	WASHER, SEAL 6	4							
11	2	24311-000320	O-RING, 1AP32.0	1							
12	2	26106-080122	BOLT, M8X 12 PLATED	4							
13	2	26106-060162	BOLT, M6X 16 PLATED	2							
14	2	129150-91400	GEAR	1							
16	3	24341-000240	O-RING, 1AS24.0	1							
17	2	129795-01900	STUD	1							
18	1	22190-080002	WASHER, SEAL 6	1							
19	1	24311-000160	O-RING, 1AP16.0	2							
20	1	26106-080162	BOLT, M8X 16 PLATED	3							
21	1	26106-080162	BOLT, M8X 16 PLATED	1							
22	1	26106-080452	BOLT, M8X 45 PLATED	6							
23	1	26106-080552	BOLT, M8X 55 PLATED	3							
24	1	129001-91841	BOLT, M8X85	4							
25	1	26306-080002	NUT, M8	3							
26	1	124240-01871	COVER	1							
27	1	124240-01883	GASKET	1							
28	1	26106-080122	BOLT, M8X 12 PLATED	4							
29	1	977770-01212	GASKET, LIQUID	1							1
30	1	121850-51960	O-RING	1							

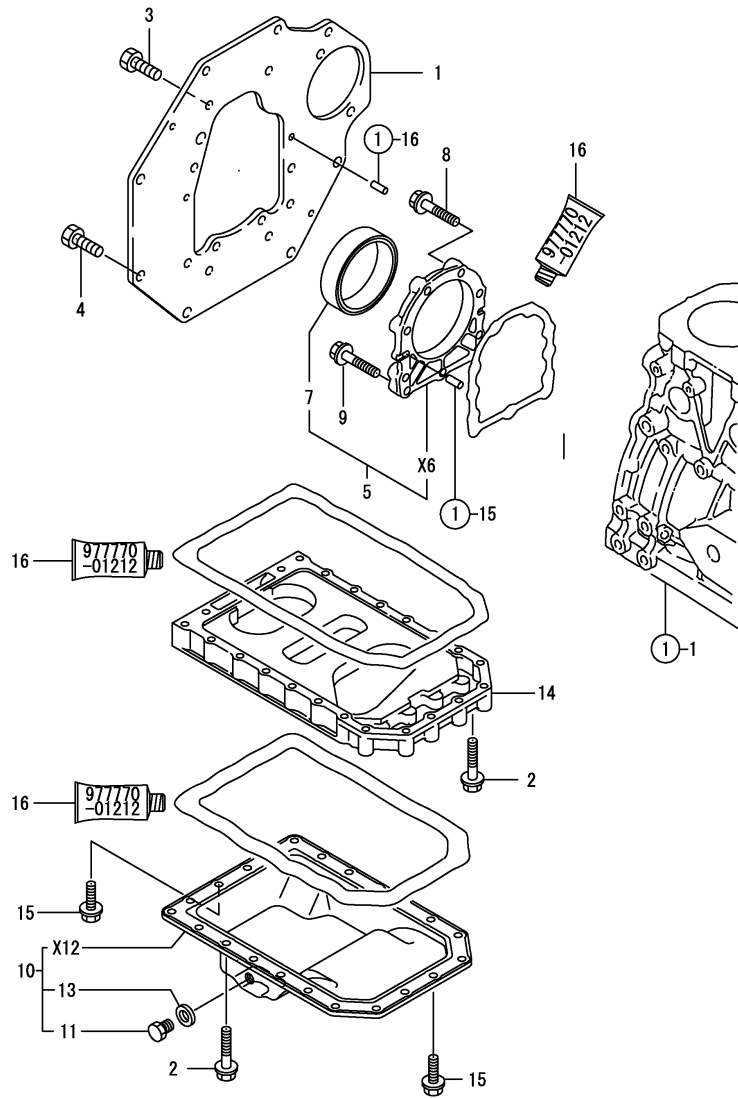
x-MARK PARTS:NOT SOLD SEPARATELY.

Remarks

(1) OPTIONAL PART.

N:Old $\xrightarrow{\text{Yes}}$ New, Q:Old $\xrightarrow{\text{No}}$ New, R:Old $\xrightarrow{\text{Yes}}$ New, S:Old $\xrightarrow{\text{No}}$ New, W:Add, Z:Discontinued, F:Interchangeable by set, K:Q'ty Change

Fig.3. MOUNTING FLANGE & OIL SUMP



x-MARK PARTS: NOT SOLD SEPARATELY.

No.	Lev.	Parts No.	Description	Q'ty						I	R
				(A)	(B)	(C)	(D)	(E)	(F)		
1	1	119923-01610	FLANGE, MOUNTING	1							
2	1	26106-080452	BOLT, M8X 45 PLATED	22							
3	1	26206-100202	BOLT, M10X 20 PLATED	6							
4	1	26206-100252	BOLT, M10X 25 PLATED	4							
5	1	119820-01650	CASE ASSY, OIL SEAL	1							
7	2	119820-01780	SEAL, 76X93X10	1							
8	1	129486-01670	BOLT, M8X30	6							
9	1	26106-080352	BOLT, M8X 35 PLATED	3							
10	1	119867-01770	SUMP ASSY, OIL	1							
11	2	23887-120002	PLUG, 12	1							
13	2	22190-120002	WASHER, SEAL 12	1							
14	1	119810-01730	SPACER, OIL SUMP	1							
15	1	26106-080162	BOLT, M8X 16 PLATED	6							
16	1	977770-01212	GASKET, LIQUID	1							1

Remarks
(1) OPTIONAL PART.

Fig.4. CYLINDER HEAD & BONNET

(A)=3TNE78A-EJKE

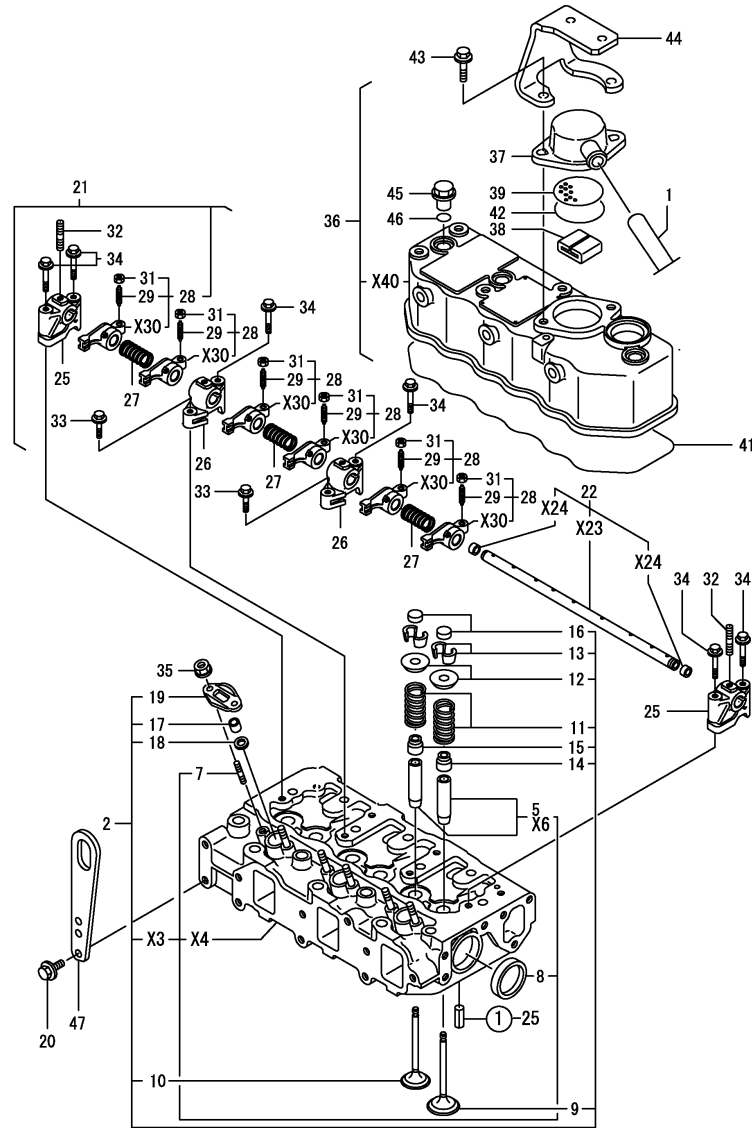
(B)=

(C)=

(D)=

(E)=

(F)=



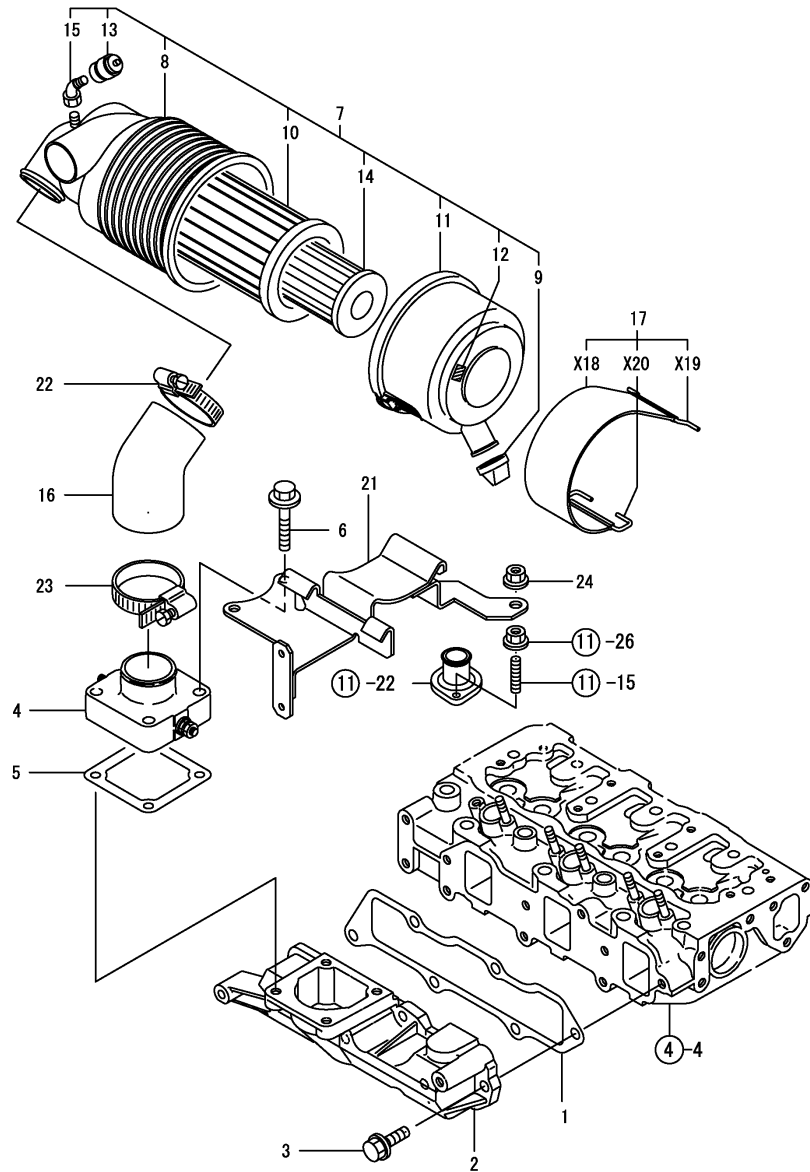
x-MARK PARTS:NOT SOLD SEPARATELY.

No.	Lev.	Parts No.	Description	Q'ty						I	R
				(A)	(B)	(C)	(D)	(E)	(F)		
1	1	129150-03090	HOSE, ID16X2T	1							
2	1	119812-11700	HEAD ASSY, CYLINDER	1							
5	3	124060-11800	GUIDE, VALVE	6							1
7	3	26216-060302	STUD, M6X 30	6							
8	3	27241-400000	PLUG, 40	2							
9	2	119810-11100	VALVE, INTAKE	3							
10	2	119810-11110	VALVE, EXHAUST	3							
11	2	119810-11120	SPRING, VALVE	6							
12	2	104211-11180	RETAINER, SPRING	6							
13	2	27310-070000	COTTER 7	6							
14	2	124160-11340	SEAL, VALVE STEM	3							
15	2	124950-11340	SEAL, VALVE STEM	3							
16	2	104211-11370	CAP, VALVE	6							
17	2	119625-11870	PROTECTOR, NOZZLE	3							
18	2	119625-11880	SEAT, NOZZLE	3							
19	2	119625-11900	RETAINER, NOZZLE	3							
20	1	26106-080162	BOLT, M8X 16 PLATED	2							
21	1	119865-11210	SUPPORT ASSY	1							
22	2	119810-11240	SHAFT ASSY, ROCKER	1							
25	2	129155-11260	SUPPORT, ROCKER ARM	2							
26	2	129155-11270	SUPPORT, ROCKER ARM	2							
27	2	129150-11280	SPRING	3							
28	2	719810-11660	ARM ASSY, ROCKER	6							
29	3	129150-11230	SCREW, VALVE ADJUST	6							
31	3	129150-11750	NUT, M8	6							
32	2	26226-080182	STUD, M8X 18	3							
33	1	26106-080252	BOLT, M8X 25 PLATED	2							
34	1	26106-080502	BOLT, M8X 50 PLATED	6							
35	1	26366-060002	NUT, M6	6							
36	1	119923-11290	BONNET ASSY, HEAD	1							
37	2	129150-03020	COVER, BREATHER	1							
38	2	129150-03070	BAFFLE, BREATHER	1							
39	2	129150-03080	PLATE, BAFFLE	1							
41	2	119865-11310	GASKET, BONNET	1							
42	2	24341-000500	O-RING, 1AS50.0	1							
43	2	26106-080222	BOLT, M8X 22 PLATED	2							
44	2	119923-11350	STAY	1							
45	1	124160-11360	KNOB	3							
46	1	24311-000120	O-RING, 1AP12.0	3							
47	1	129900-07900	LIFTER	1							

Remarks

(1) REPAIR PART.

Fig.5. SUCTION MANIFOLD & AIR CLEANER



x-MARK PARTS: NOT SOLD SEPARATELY.

(A)=3TNE78A-EJKE

(B)=

(C)=

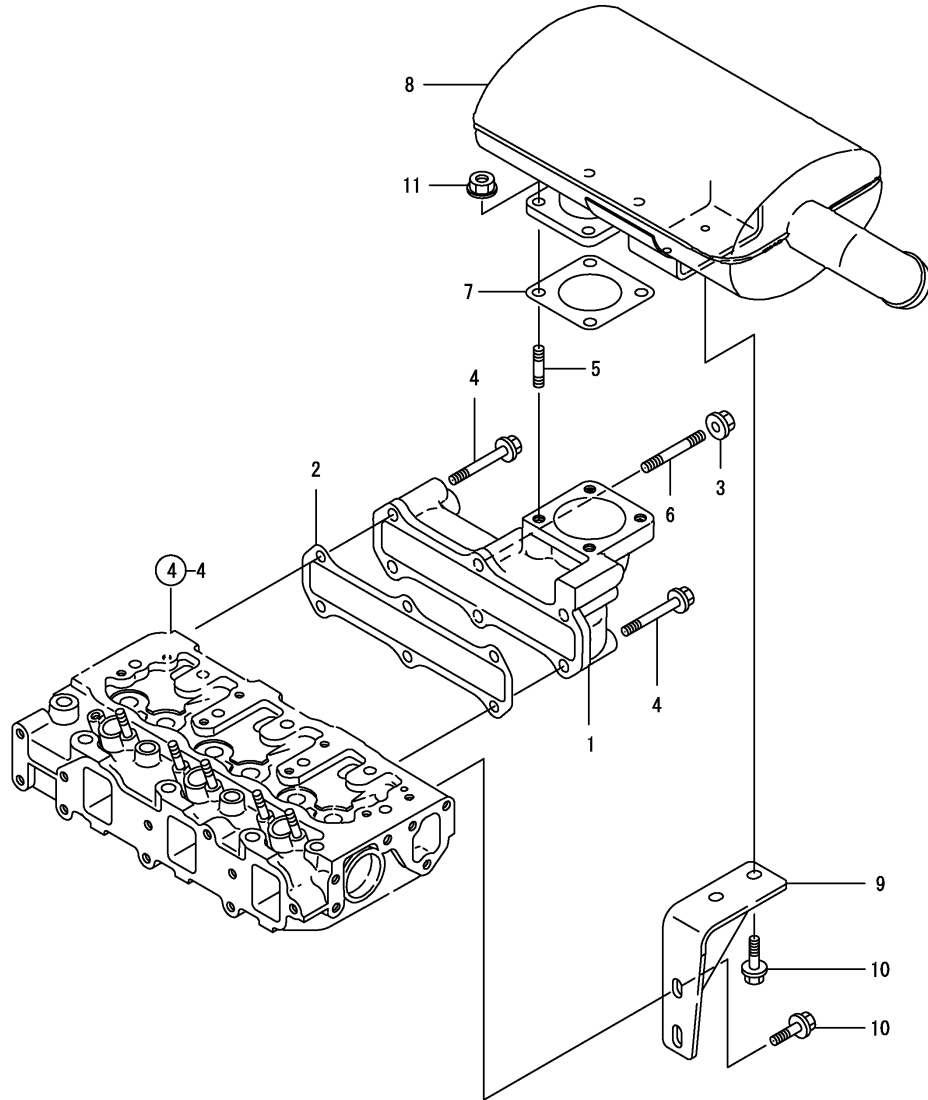
(D)=

(E)=

(F)=

No.	Lev.	Parts No.	Description	Q'ty						I	R
				(A)	(B)	(C)	(D)	(E)	(F)		
1	1	119813-12110	GASKET, MANIFOLD	1							
2	1	119813-12120	MANIFOLD, AIR INTAKE	1							
3	1	26106-080252	BOLT, M8X 25 PLATED	6							
4	1	129120-77501	HEATER	1							
5	1	129150-77511	GASKET	1							
6	1	26106-080352	BOLT, M8X 35 PLATED	4							
7	1	119923-12500	CLEANER ASSY, AIR	1							
8	2	119923-12510	BODY, AIR CLEANER	1							
9	2	119808-12540	VALVE, UNLOADER	1							
10	2	119655-12560	ELEMENT	1							
11	2	105027-12570	COVER, AIR CLEANER	1							
12	2	129612-12650	LABEL, MARKING	1							
13	2	126650-12680	INDICATOR	1							
14	2	119233-12700	ELEMENT	1							
15	2	119626-12800	ORIFICE	1							
16	1	119923-12550	PIPE, AIR INTAKE	1							
17	1	119865-12600	BAND ASSY, CLEANER	1							
21	1	119923-12601	SUPPORT, AIR CLEANER	1							
22	1	23000-054000	CLAMP, 54	1							
23	1	23000-060000	CLAMP, 60	1							
24	1	26306-080002	NUT, M8	1							

Fig.6. EXHAUST MANIFOLD & SILENCER



(A)=3TNE78A-EJKE

(B)=

(C)=

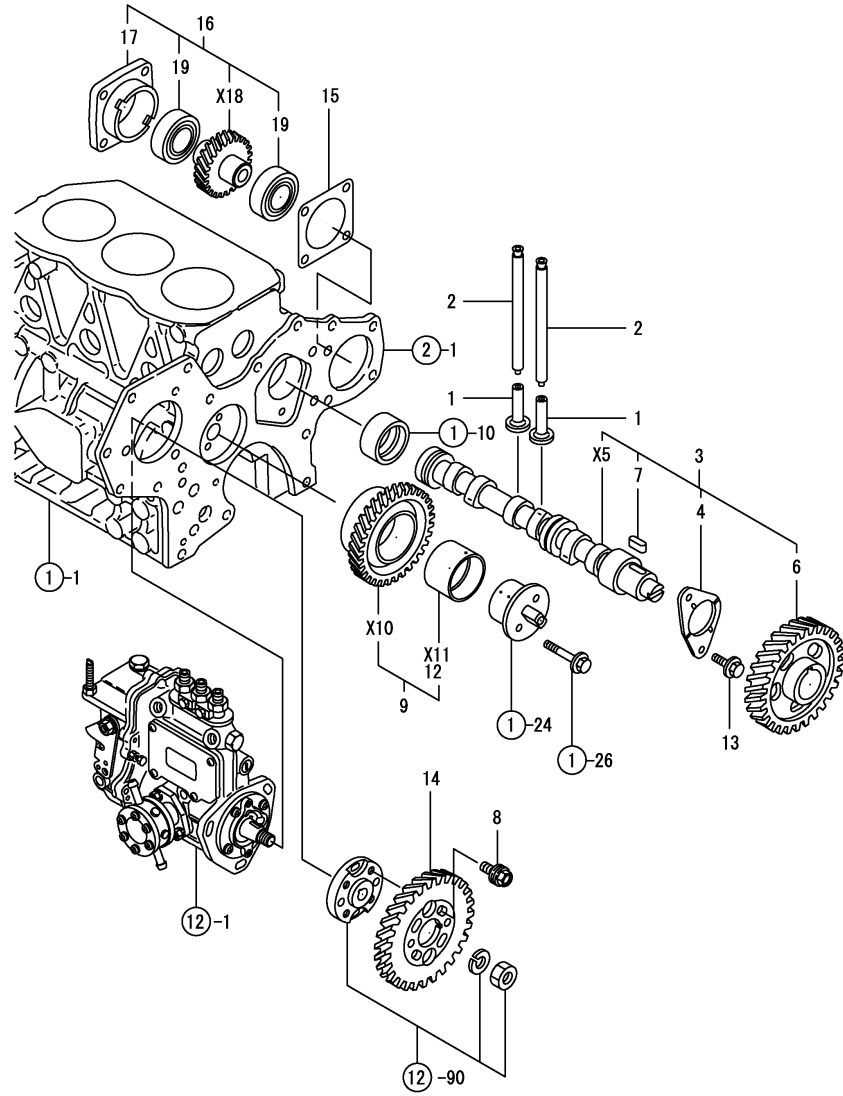
(D)=

(E)=

(F)=

No.	Lev.	Parts No.	Description	Q'ty						I	R
				(A)	(B)	(C)	(D)	(E)	(F)		
1	1	119813-13100	MANIFOLD, EXHAUST	1							
2	1	119813-13110	GASKET	1							
3	1	26306-080002	NUT, M8	2							
4	1	26106-080602	BOLT, M8X 60 PLATED	4							
5	1	119131-18320	STUD, M8X22	4							
6	1	26216-080602	STUD, M8X 60	2							
7	1	124701-11911	GASKET, SILENCER	1							
8	1	119923-13500	SILENCER	1							
9	1	119923-13600	STAY, SILENCER	1							
10	1	26106-080202	BOLT, M8X 20 PLATED	4							
11	1	26306-080002	NUT, M8	4							

Fig.7. CAMSHAFT & DRIVING GEAR



x-MARK PARTS: NOT SOLD SEPARATELY.

(A)=3TNE78A-EJKE

(B)=

(C)=

(D)=

(E)=

(F)=

No.	Lev.	Parts No.	Description	Qty						I	R
				(A)	(B)	(C)	(D)	(E)	(F)		
1	1	129150-14200	TAPPET	6							
2	1	119810-14400	ROD, PUSH	6							
3	1	119810-14580	CAMSHAFT ASSY	1							
4	2	129150-02450	BEARING, THRUST	1							
6	2	129150-14101	GEAR, CAMSHAFT	1							
7	2	22512-070140	KEY, 7X 14	1							
8	1	129150-25301	BOLT	4							
9	1	129150-25101	GEAR ASSY, IDLE	1							
12	2	129150-25920	BUSH, IDLE GEAR	1							1
13	1	26106-080142	BOLT, M8X 14 PLATED	2							
14	1	129150-25931	GEAR, PUMP	1							
15	1	129150-01881	GASKET	1							
16	1	129150-26000	DRIVE ASSY, PUMP	1							
17	2	129150-26050	BRACKET, PUMP	1							
19	2	24105-060064	BEARING, BALL 6006Z	2							

Remarks

(1) REPAIR PART.

Fig.8. CRANKSHAFT & PISTON

(A)=3TNE78A-EJKE

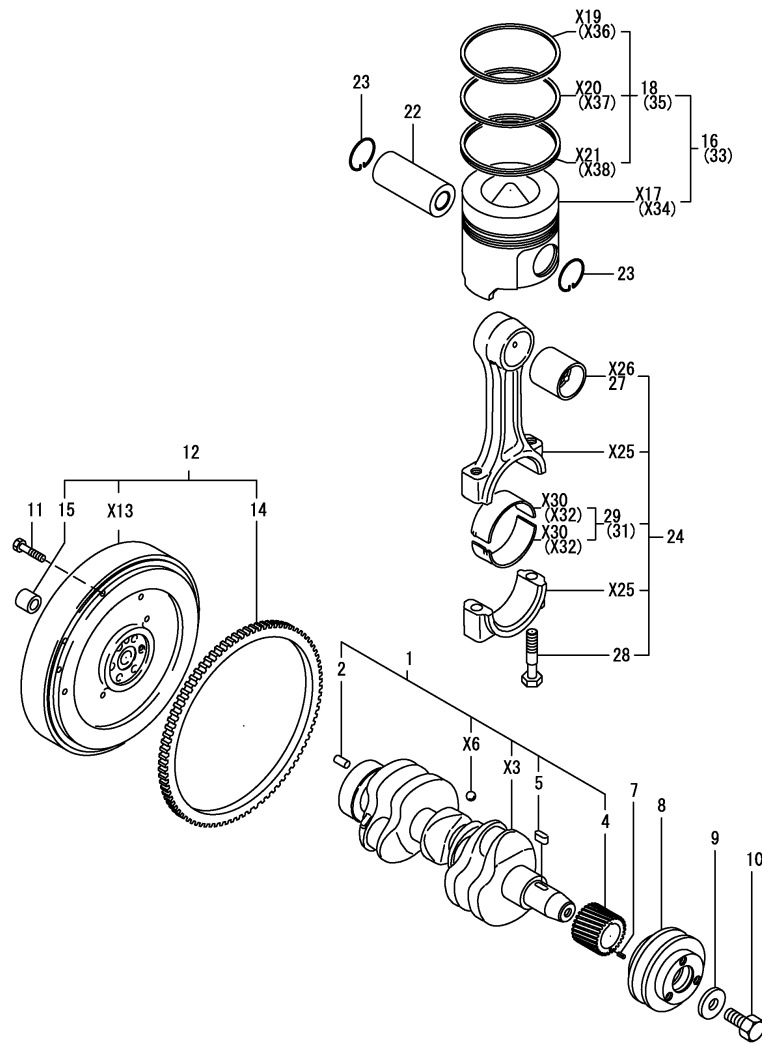
(B)=

(C)=

(D)=

(E)=

(F)=



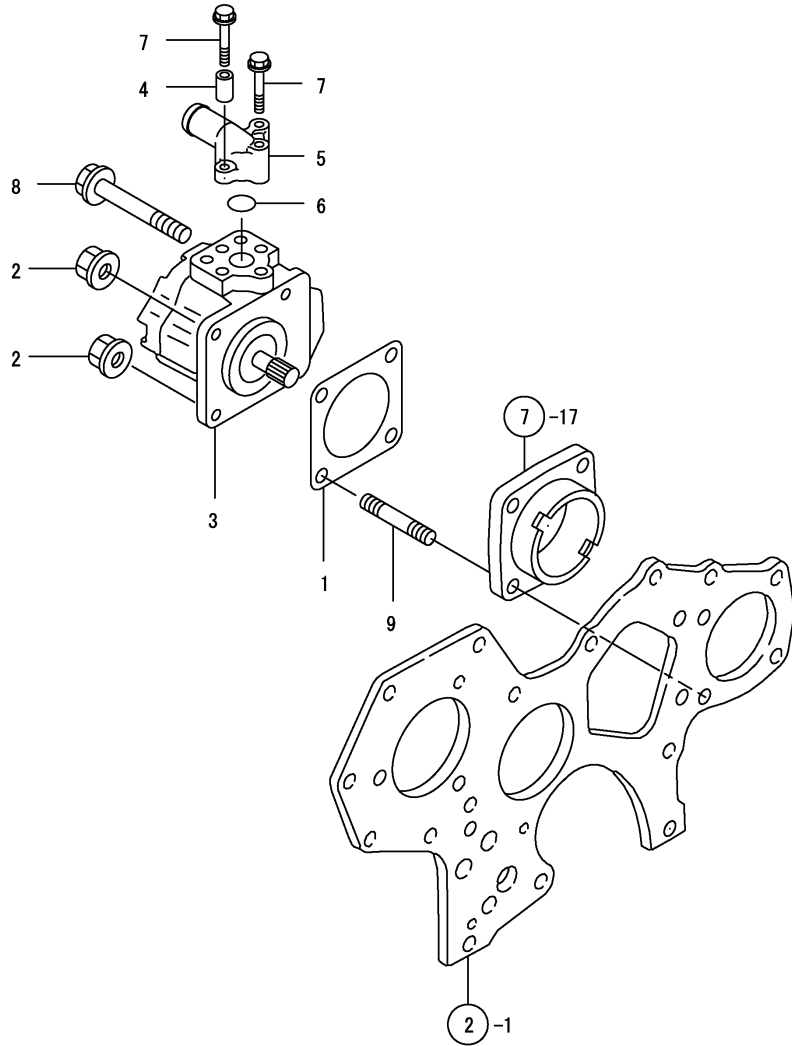
x-MARK PARTS: NOT SOLD SEPARATELY.

No.	Lev.	Parts No.	Description	Q'ty						I	R
				(A)	(B)	(C)	(D)	(E)	(F)		
1	1	119813-21000	CRANKSHAFT ASSY	1							
2	2	129100-01580	PIN, M8X16	1							
4	2	129150-21200	GEAR, CRANKSHAFT	1							
5	2	22512-070140	KEY, 7X 14	1							
7	1	22351-040010	PIN, SPRING 4.0X10	1							
8	1	171301-21650	V-PULLEY	1							
9	1	129795-21661	WASHER	1							
10	1	121850-21680	BOLT	1							
11	1	121111-21501	BOLT, FLYWHEEL	6							
12	1	119923-21580	FLYWHEEL ASSY	1							
14	2	119865-21600	GEAR, RING	1							
15	2	119626-21700	BEARING, 6901	1							
16	1	119923-22080	PISTON ASSY	3							
18	2	119818-22500	RING SET, PISTON	3							
22	1	119813-22300	PIN, PISTON	3							
23	1	129792-22400	CIRCLIP, 23	6							
24	1	719810-23100	ROD ASSY, CONNECTING	3							
27	2	119810-23910	BEARING, PISTON PIN	3							1
28	2	119810-23200	BOLT, CONNECTING ROD	6							
29	2	119810-23600	BEARING, CRANK PIN	3							
31	1	119810-23610	BEARING, 0.25 US	3							2
33	1	119818-22930	PISTON ASSY, 0.25 OS	3							3
35	2	119818-22950	RING SET, 0.25 OS	3							3

Remarks

- (1) REPAIR PART.
- (2) UNDER-SIZE(U.S=0.25)PART.
- (3) OVER-SIZE(O.S=0.25)PART.

Fig.9. HYDRAULIC PUMP

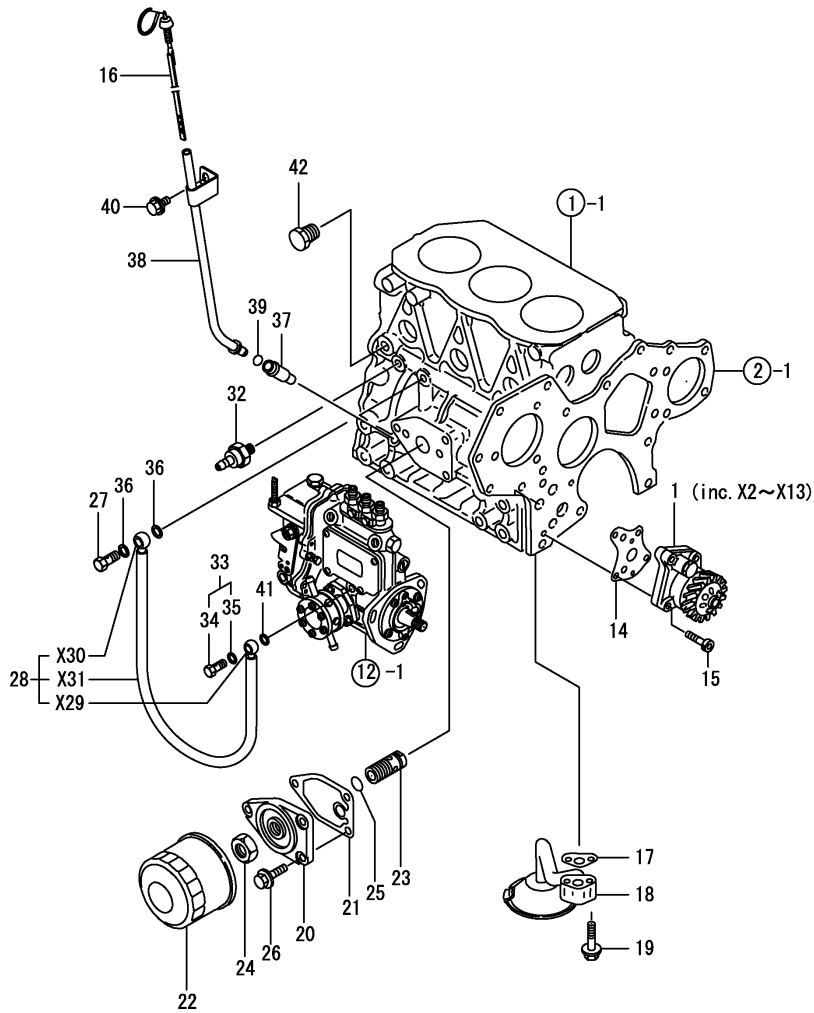


(A)=3TNE78A-EJKE
(B)=
(C)=

(D)=
(E)=
(F)=

No.	Lev.	Parts No.	Description	Q'ty						I	R
				(A)	(B)	(C)	(D)	(E)	(F)		
1	1	124240-01883	GASKET	1							
2	1	26306-080002	NUT, M8	2							
3	1	119923-26010	PUMP ASSY, HYDRAULIC	1							
4	1	119626-26690	SPACER	1							
5	1	198220-48140	FLANGE, PIPE P	1							
6	1	24311-000200	O-RING, 1AP20.0	1							
7	1	26106-060402	BOLT, M6X 40 PLATED	3							
8	1	26106-080952	BOLT, M8X 95 PLATED	2							
9	1	26216-080402	STUD, M8X 40	1							

Fig.10. LUB.OIL SYSTEM



x-MARK PARTS:NOT SOLD SEPARATELY.

No.	Lev.	Parts No.	Description	Q'ty						I	R
				(A)	(B)	(C)	(D)	(E)	(F)		
1	1	129001-32001	PUMP ASSY, OIL	1							
14	1	129150-32020	GASKET, PUMP	1							
15	1	26450-060252	BOLT, M6X 25	4							
16	1	119820-34800	DIPSTICK, OIL	1							
17	1	129150-35041	GASKET	1							
18	1	119867-35090	PIPE ASSY, OIL INLET	1							
19	1	26106-080352	BOLT, M8X 35 PLATED	2							
20	1	129150-35101	BRACKET, STRAINER	1							
21	1	129150-35111	GASKET	1							
22	1	129150-35151	FILTER, D80XL80	1							
23	1	129001-35300	BOLT, FILTER	1							
24	1	129150-35350	NUT	1							
25	1	24311-000160	O-RING, 1AP16.0	1							
26	1	26106-080202	BOLT, M8X 20 PLATED	3							
27	1	124160-39140	BOLT, PIPE JOINT M10	1							
28	1	119810-39200	PIPE ASSY, OIL	1							
32	1	114250-39450	SWITCH, 0.5KG	1							
33	1	124550-59830	BOLT ASSY, JOINT M8	1							
34	2	124550-59820	BOLT, PIPE JOINT M8	1							
35	2	22190-080002	WASHER, SEAL 6	1							
36	1	22190-100002	WASHER, SEAL 10	2							
37	1	119260-34810	GUIDE, DIPSTICK	1							
38	1	119822-34810	GUIDE, DIPSTICK	1							
39	1	24311-240100	O-RING, 1AP10A	1							
40	1	26106-080162	BOLT, M8X 16 PLATED	1							
41	1	22190-080002	WASHER, SEAL 6	1							
42	1	171056-49120	PLUG, DRAIN	1							

Fig.11. COOLING WATER SYSTEM

(A)=3TNE78A-EJKE

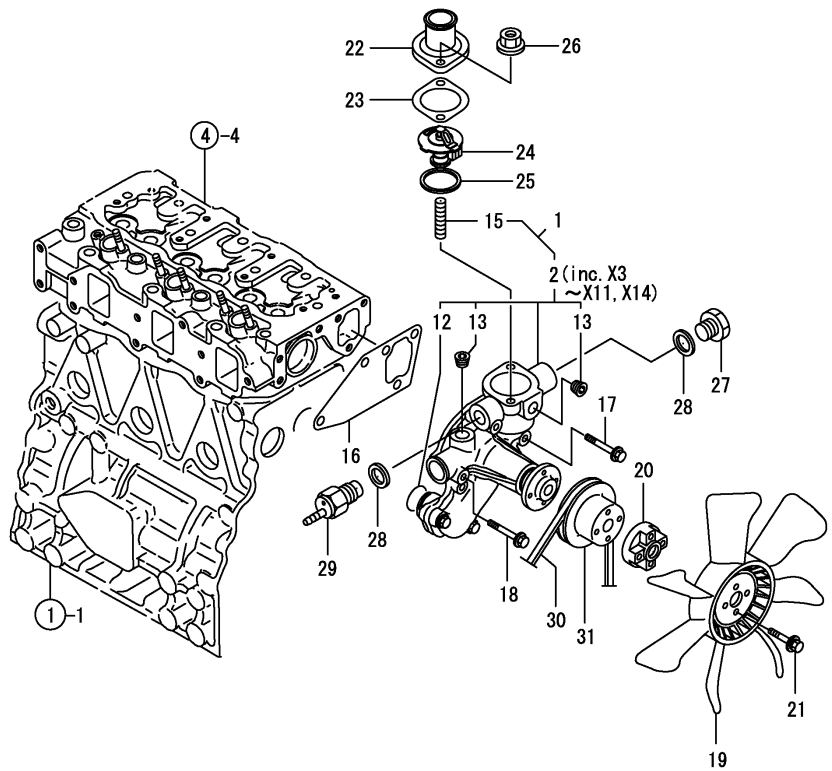
(B)=

(C)=

(D)=

(E)=

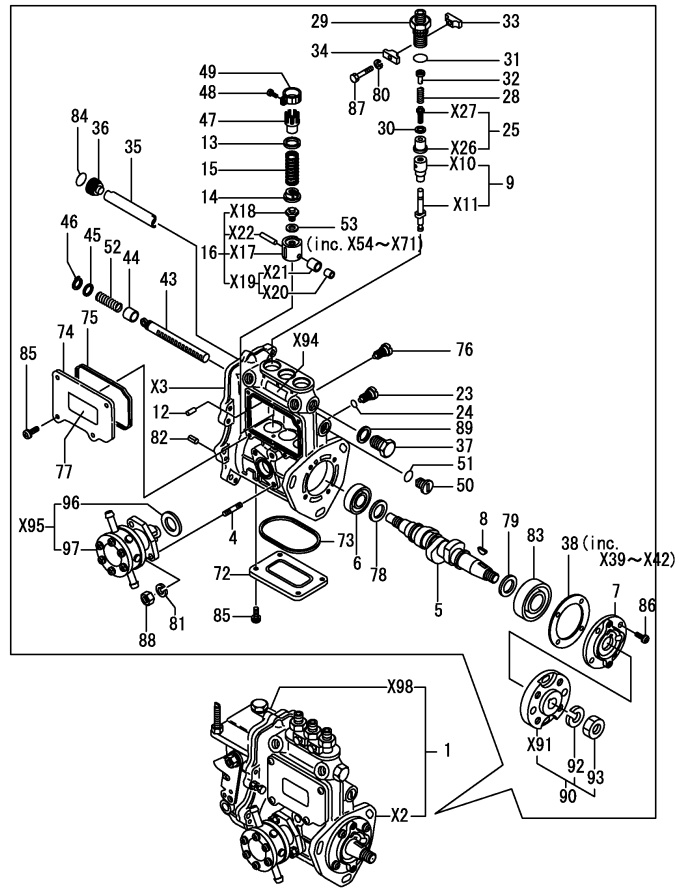
(F)=



No.	Lev.	Parts No.	Description	Q'ty						I	R
				(A)	(B)	(C)	(D)	(E)	(F)		
1	1	119923-42000	PUMP ASSY, WATER	1							
2	2	119810-42001	PUMP ASSY, WATER	1							
12	3	129150-42320	O-RING	1							
13	3	23876-030000	PLUG, R03	2							
15	2	129555-44750	STUD, M8X30	2							
16	1	129486-42050	GASKET, WATER PUMP	1							
17	1	26106-080352	BOLT, M8X 35 PLATED	1							
18	1	26106-080552	BOLT, M8X 55 PLATED	3							
19	1	119626-44741	FAN, COOLING D=320X7	1							
20	1	124574-44761	SPACER, FAN	1							
21	1	26014-060252	BOLT, M6X 25	4							
22	1	129350-49530	COVER, THERMOSTAT	1							
23	1	129795-49551	GASKET	1							
24	1	129155-49800	THERMOSTAT, 71	1							
25	1	129150-49811	GASKET, THERMOSTAT	1							
26	1	26306-080002	NUT, M8	2							
27	1	121450-42450	PLUG, M16	1							
28	1	124465-44950	GASKET, 16	2							
29	1	121250-44901	SWITCH, 110	1							
30	1	25132-003700	V-BELT, A37	1							
31	1	129403-42380	V-PULLEY, D=110	1							

x-MARK PARTS:NOT SOLD SEPARATELY.

Fig.12. FUEL INJECTION PUMP



x-MARK PARTS : NOT SOLD SEPARATELY.

Remarks
 (1) GOVERNOR ASSY(FIG.13) IS
 INCORPORATED IN THIS FOP.CMP
 (REF.NO.1).

(A)=3TNE78A-EJKE

(B)=

(C)=

(D)=

(E)=

(F)=

No.	Lev.	Parts No.	Description	Q'ty						I	R
				(A)	(B)	(C)	(D)	(E)	(F)		
1	1	719988-51450	PUMP ASSY, INJECTION	1							1
4	3	129155-51020	STUD		2						
5	3	129171-51040	CAMSHAFT		1						
6	3	129155-51050	BEARING, 17BM001D		1						
7	3	129208-51060	SUPPORT		1						
8	3	122710-51090	KEY		1						
9	3	129108-51100	PLUNGER ASSY		3						
12	3	129155-51140	PIN		3						
13	3	174307-51170	RETAINER, SPRING A		3						
14	3	129155-51180	RETAINER, SPRING		3						
15	3	124950-51190	SPRING, PLUNGER		3						
16	3	129155-51200	TAPPET ASSY		3						
23	3	129155-51270	STOPPER, TAPPET		3						
24	3	129155-51280	O-RING, S6		3						
25	3	119908-51300	VALVE ASSY, DELIVERY		3						
28	3	129573-51330	SPRING, DELIVERY		3						
29	3	129573-51340	RETAINER		3						
30	3	124550-51350	GASKET, DELIVERY		3						
31	3	124550-51370	O-RING		3						
32	3	129573-51370	STOPPER, VALVE		3						
33	3	129155-51380	STOPPER		2						
34	3	129155-51390	STOPPER		2						
35	3	129155-51400	DEFLECTOR		1						
36	3	129155-51410	BOLT		1						
37	3	129155-51420	PLUG, M16		1						
38	3	129155-51450	SHIM SET, ADJUSTING		1						
43	3	129155-51500	RACK, CONTROL		1						
44	3	129155-51521	BUSH, RACK		1						
45	3	129155-51530	SPACER		1						
46	3	129155-51540	CIRCLIP		1						
47	3	129155-51550	PINION, CONTROL		3						
48	3	129100-51570	SCREW		3						
49	3	129100-51560	PINION		3						
50	3	129155-51570	PLUG, M12		1						
51	3	129155-51580	O-RING		1						
52	3	129155-51591	SPRING, RACK		1						
53	3	129155-51600	SHIM SET, ADJUSTING		3						
72	3	129155-51701	COVER		1						
73	3	129155-51711	GASKET		1						
74	3	129155-51751	COVER		1						
75	3	129155-51760	GASKET		1						
76	3	129155-51790	STOOPER, RACK		1						
77	3	129156-51910	LABEL, CAUTION		1						
78	3	129155-51930	SPACER, T=3.25		1						
79	3	129155-51940	SPACER, T=1.5		1						
80	3	22217-050000	WASHER, SPRING 5		2						
81	3	22217-060000	WASHER, SPRING 6		2						
82	3	22351-050010	PIN, SPRING 5.0X10		2						
83	3	24101-063034	BEARING, BALL 6303		1						
84	3	24341-000160	O-RING, 1AS16.0		1						
85	2	26022-050122	SCREW, M5X12		8						

Fig.13. GOVERNOR

(A)=3TNE78A-EJKE

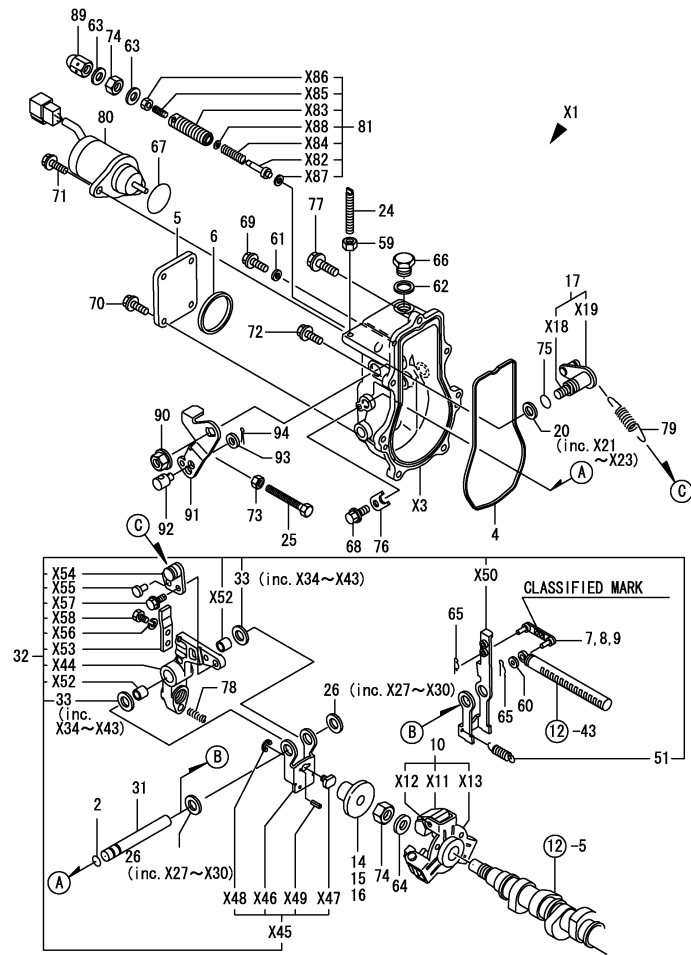
(B)=

(C)=

(D)=

(E)=

(F)=



x-MARK PARTS: NOT SOLD SEPARATELY.

No.	Lev.	Parts No.	Description	(A)	(B)	(C)	(D)	(E)	(F)	I	R
2	3	129155-51280	O-RING, S6	1							
4	3	129052-61050	GASKET	1							
5	3	129052-61060	COVER, GOVERNOR CASE	1							
6	3	129052-61070	GASKET	1							
7	3	129155-61120	LINK, L=30 MARK 0	1							1
8	3	129155-61130	LINK, L=31 MARK 1	1							2
9	3	129155-61140	LINK, L=30.5 MARK 05	1							3
10	3	129486-61201	WEIGHT ASSY,GOVERNOR	1							
14	3	129155-61341	SLEEVE	1							4
15	3	129155-61350	SLEEVE, L=24.9	1							5
16	3	129155-61360	SLEEVE, L=25.2	1							6
17	3	129100-61400	SHAFT ASSY	1							
20	3	129155-61430	SPACER	1							
24	3	129155-61450	BOLT, LIMITER	1							
25	3	129155-61460	BOLT, IDLE	1							
26	3	129155-61480	SPACER ASSY	2							
31	3	129052-61390	SHAFT	1							
32	3	119908-61501	LEVER ASSY, GOVERNOR	1							
33	4	174307-51700	SHIM SET	2							
51	4	129486-61540	SPRING, SET	1							
59	3	124550-66370	NUT, M6	1							
60	3	22117-040000	WASHER, 4	1							
61	3	22190-060003	SEAL WASER 6	1							
62	3	22190-100002	WASHER, SEAL 10	1							
63	3	22190-120002	WASHER, SEAL 12	2							
64	3	22287-120000	WASHER, 12	1							
65	3	22372-040000	PIN, SNAP 4	2							
66	3	23887-100002	PLUG, 10	1							
67	3	24341-000280	O-RING, 1AS28.0	1							
68	3	26106-060102	BOLT, M6X 10 PLATED	1							
69	3	26106-060102	BOLT, M6X 10 PLATED	1							
70	3	26106-060102	BOLT, M6X 10 PLATED	4							
71	3	26106-060142	BOLT, M6X 14 PLATED	2							
72	3	26106-060202	BOLT, M6X 20 PLATED	6							
73	3	26756-060002	NUT, LOCK M6	1							
74	3	26776-120002	NUT, LOCK M12	2							
75	3	129155-61830	O-RING, S10	1							
76	3	119660-61901	RETAINER, SHAFT	1							
77	3	129155-61950	BOLT	1							
78	2	129100-61650	SPRING, CONTROLLER	1							
79	2	171353-61710	SPRING, GOVERNOR	1							
80	2	119653-77950	SOLENOID, STOP	1							
81	2	129209-61450	LIMITER ASSY, FUEL	1							
89	2	129100-61930	NUT, CAP	1							
90	2	26366-080002	NUT, M8	1							
91	2	129505-61440	LEVER, CONTROL	1							
92	2	194150-01370	ADJUSTER	1							
93	2	22137-080000	WASHER, 8	1							
94	2	22417-160180	PIN, COTTER 1.6X18	1							

Remarks

*This figure(Governor)is incorporated in the Fuel Injection Pump (Fig.1).

(1)Selective parts, mark;0

(2)Selective parts, mark;1

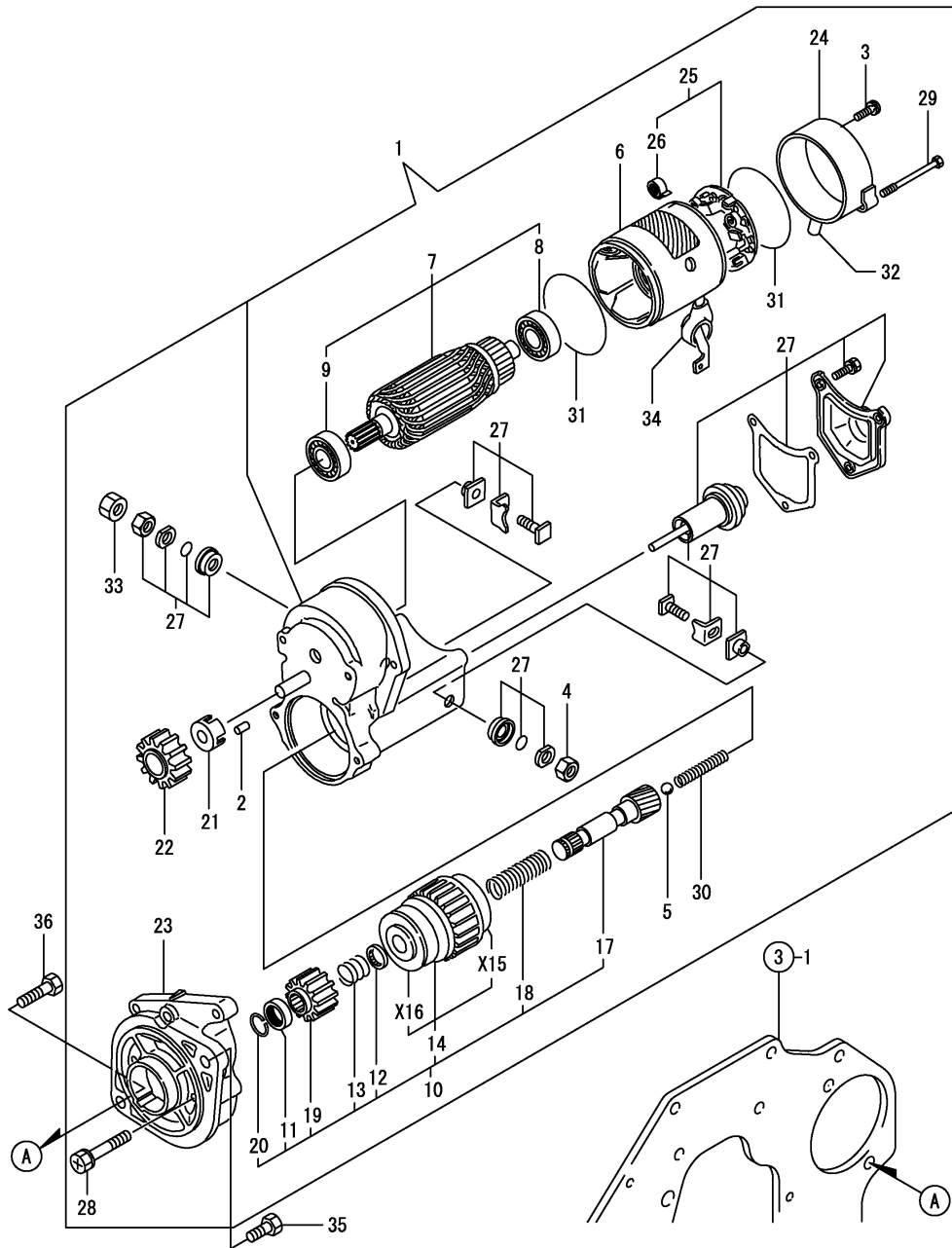
(3)Selective parts, mark;05

(4)Selective parts, Length=25.5mm

(5)Selective parts, Length=24.9mm

(6)Selective parts, Length=25.2mm

Fig.15. STARTING MOTOR



x-MARK PARTS: NOT SOLD SEPARATELY.

(A)=3TNE78A-EJKE

(B)=

(C)=

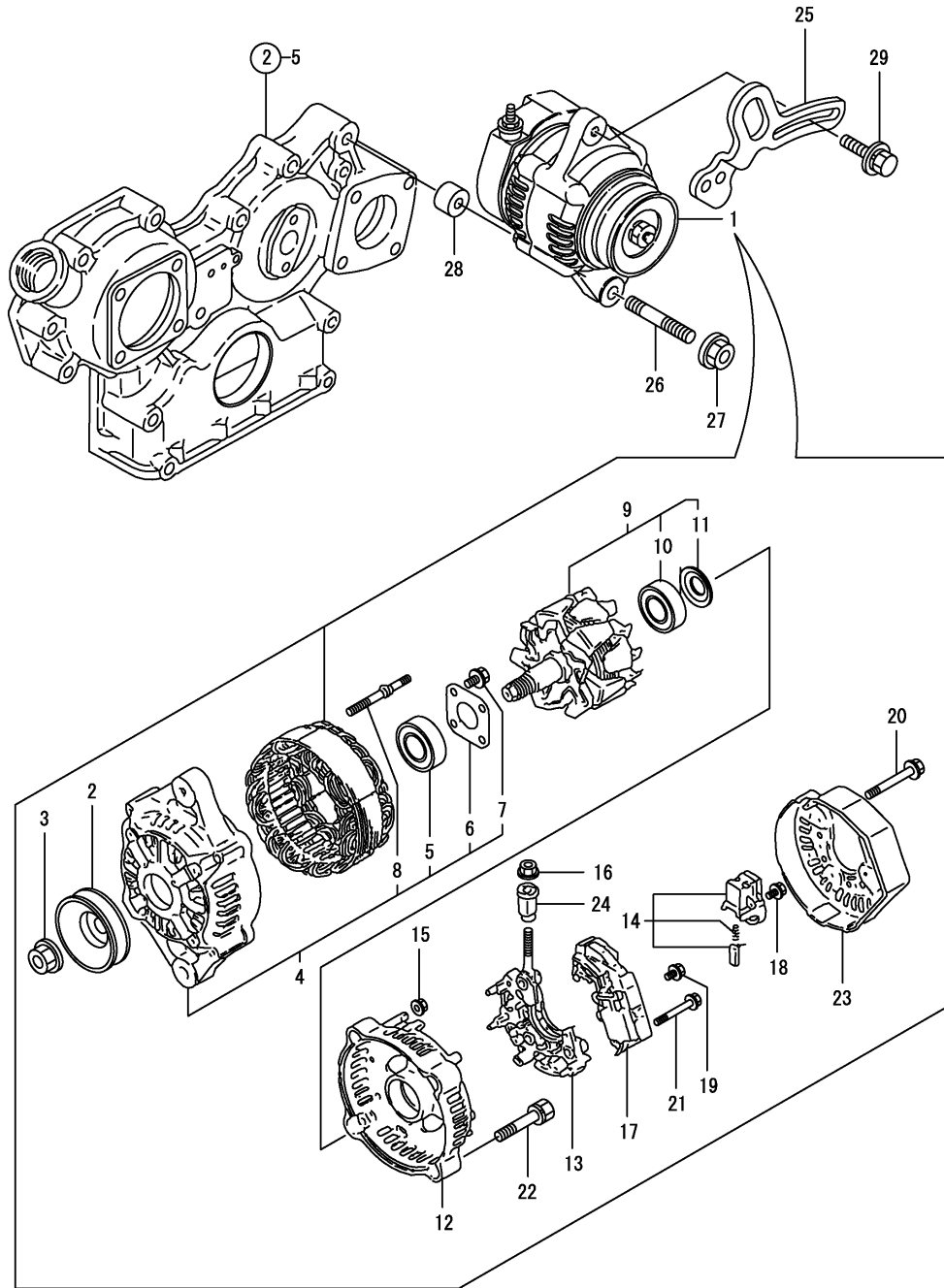
(D)=

(E)=

(F)=

No.	Lev.	Parts No.	Description	Q'ty						I	R
				(A)	(B)	(C)	(D)	(E)	(F)		
1	1	129129-77010	STARTER ASSY	1							
2	2	X0283060061	ROLLER	5							
3	2	129129-77460	SCREW	2							
4	2	X9490561370	NUT	1							
5	2	X9491200240	BALL	1							
6	2	129129-77210	YOKE ASSY	1							
7	2	129129-77220	ARMATURE ASSY	1							
8	3	129129-77230	BEARING	1							
9	3	129129-77240	BEARING	1							
10	2	129129-77250	STARTER	1							
11	3	X0280210230	NUT	1							
12	3	X0283270140	RETAINER	1							
13	3	X9491703371	SPRING, COIL	1							
14	3	129129-77390	CLUTCH ASSY	1							
17	3	129129-77400	SHAFT	1							
18	3	129129-77410	SPRING, COIL	1							
19	3	129129-77420	PINION, STARTER	1							
20	3	129129-77430	RING	1							
21	2	129129-77260	RETAINER	1							
22	2	129129-77270	PINION	1							
23	2	129129-77280	HOUSING	1							
24	2	129129-77290	FRAME	1							
25	2	129129-77300	HOLDER ASSY	1							
26	3	X9491730461	SPRING	4							
27	2	129129-77310	SWITCH ASSY	1							
28	2	129129-77320	BOLT	2							
29	2	129129-77330	BOLT	2							
30	2	129129-77340	SPRING	1							
31	2	129129-77350	O-RING	2							
32	2	129129-77362	COVER	1							
33	2	129129-77370	NUT	1							
34	2	129129-77380	CAP	1							
35	1	26116-120252	BOLT, M12X 25 PLATED	1							
36	1	26116-120504	BOLT, M12X 50 PLATED	1							

Fig.16. GENERATOR



(A)=3TNE78A-EJKE

(B)=

(C)=

(D)=

(E)=

(F)=

No.	Lev.	Parts No.	Description	Q'ty						I	R
				(A)	(B)	(C)	(D)	(E)	(F)		
1	1	129961-77200	GENERATOR, 12V-55A	1							
2	2	119620-77460	PULLEY,CRANKSHAFT	1							
3	2	119620-77470	NUT	1							
4	2	119620-77421	FRAME ASSY, DRIVE	1							
5	3	119620-79200	BEARING, BALL	1							
6	3	119620-79210	PLATE, RETAINER	1							
7	3	119620-79220	SCREW	4							
8	3	119620-79230	STUD	2							
9	2	129052-77380	ROTOR ASSY	1							
10	3	119620-79240	BEARING, BALL	1							
11	3	119620-79250	COVER	1							
12	2	128401-77440	FRAME	1							
13	2	129052-79260	HOLDER	1							
14	2	129052-79270	HOLDER, BRUSH	1							
15	2	119620-79350	NUT	2							
16	2	X9490561001	NUT	1							
17	2	119620-77710	REGULATOR ASSY	1							
18	2	119620-79290	SCREW	6							
19	2	119620-79300	SCREW	1							
20	2	119620-79310	BOLT	3							
21	2	119620-79320	SCREW	2							
22	2	119620-79330	BOLT	2							
23	2	128401-77450	COVER	1							
24	2	119620-79340	BUSH, INSULATION	1							
25	1	119808-77330	ADJUSTER	1							
26	1	129795-01900	STUD	1							
27	1	26306-100002	NUT, M10	1							
28	1	124732-77340	SPACER	1							
29	1	26014-080452	BOLT, M8X 45	1							

Fig.17. GASKET SET(CYLINDER BLOCK)

(A)=3TNE78A-EJKE

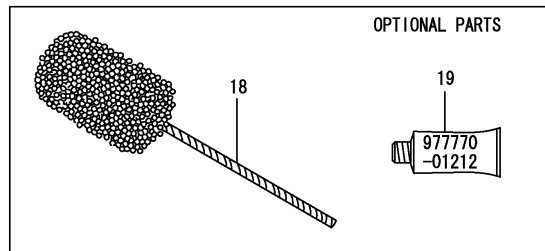
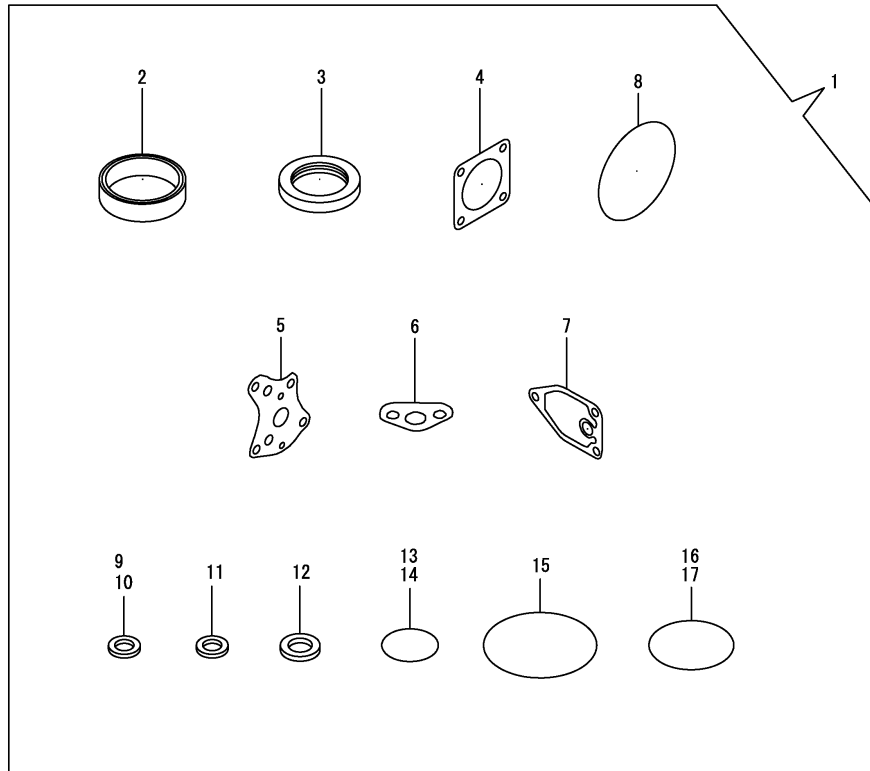
(B)=

(C)=

(D)=

(E)=

(F)=



No.	Lev.	Parts No.	Description	Q'ty						I	R
				(A)	(B)	(C)	(D)	(E)	(F)		
1	1	119822-99010	GASKET SET, BLOCK	1							1
2	2	119820-01780	SEAL, 76X93X10	1							
3	2	129795-01800	SEAL, OIL	1							
4	2	124240-01883	GASKET	1							
5	2	129150-32020	GASKET, PUMP	1							
6	2	129150-35041	GASKET	1							
7	2	129150-35111	GASKET	1							
8	2	121850-51960	O-RING	1							
9	2	22190-080002	WASHER, SEAL 6	4							
10	2	22190-080002	WASHER, SEAL 6	1							
11	2	23414-080000	GASKET, 8X1.0	1							
12	2	23414-100000	GASKET, 10X1.0	1							
13	2	24311-000160	O-RING, 1AP16.0	1							
14	2	24311-000160	O-RING, 1AP16.0	1							
15	2	24311-000320	O-RING, 1AP32.0	2							
16	2	24341-000240	O-RING, 1AS24.0	1							
17	2	24341-000240	O-RING, 1AS24.0	1							
18	1	129400-92420	HONE	1							1
19	1	977770-01212	GASKET, LIQUID	1							1

Remarks
(1) OPTIONAL PART.

Fig.18. GASKET SET(CYLINDER HEAD)

(A)=3TNE78A-EJKE

(B)=

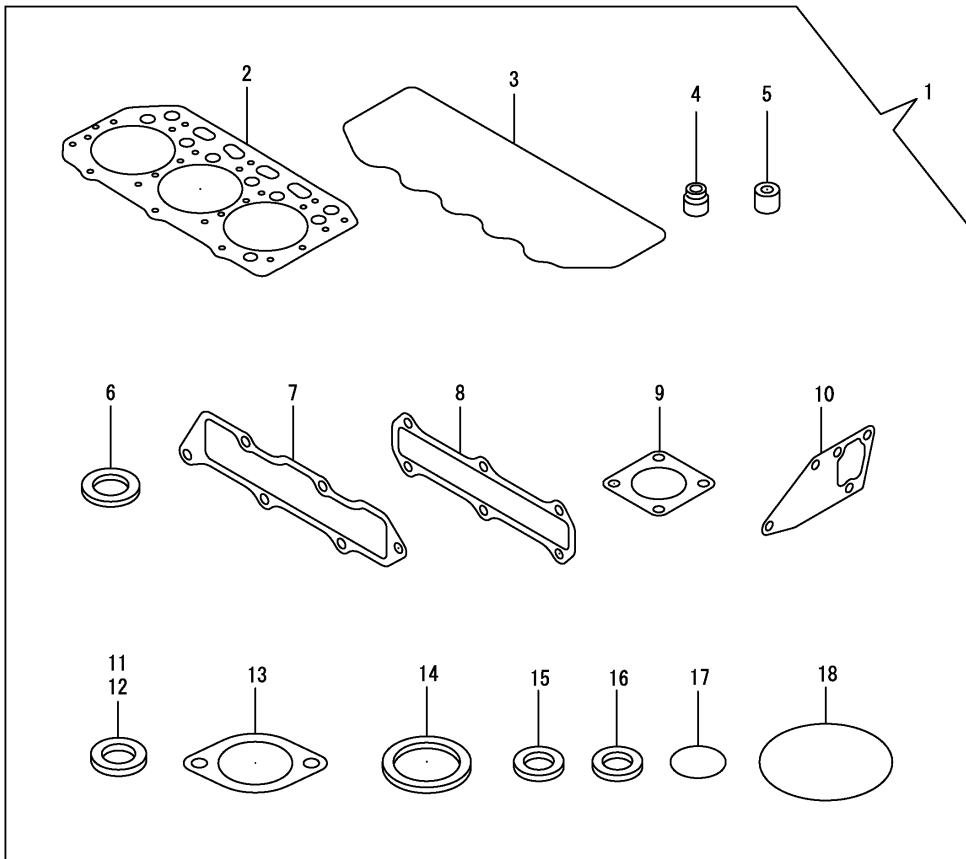
(C)=

(D)=

(E)=

(F)=

No.	Lev.	Parts No.	Description	Q'ty						I	R
				(A)	(B)	(C)	(D)	(E)	(F)		
1	1	119923-99020	GASKET SET, HEAD	1							1
2	2	119818-01330	GASKET, HEAD	1							
3	2	119865-11310	GASKET, BONNET	1							
4	2	124160-11340	SEAL, VALVE STEM	6							
5	2	119625-11870	PROTECTOR, NOZZLE	3							
6	2	119625-11880	SEAT, NOZZLE	3							
7	2	119813-12110	GASKET, MANIFOLD	1							
8	2	119813-13110	GASKET	1							
9	2	124701-11911	GASKET, SILENCER	1							
10	2	129486-42050	GASKET, WATER PUMP	1							
11	2	124465-44950	GASKET, 16	1							
12	2	124465-44950	GASKET, 16	1							
13	2	129795-49551	GASKET	1							
14	2	129150-49811	GASKET, THERMOSTAT	1							
15	2	104200-59170	GASKET, 12	2							
16	2	23414-120000	GASKET, 12X1.0	2							
17	2	24311-000120	O-RING, 1AP12.0	3							
18	2	24311-000320	O-RING, 1AP32.0	1							



Remarks
(1) OPTIONAL PART.

Parts No. Index

Parts No.	Fig. No.	Ref. No.
101304-59020	14	54
103854-39140	14	53
104200-59170	18	15
104211-11180	4	12
104211-11370	4	16
105027-12570	5	11
114250-39450	10	32
114250-53080	14	5
114250-53120	14	9
114250-53130	14	10
114250-53140	14	11
114250-53210	14	12
114250-53400	14	13
119131-18320	6	5
119233-12700	5	14
119260-34810	10	37
119305-59120	14	25
119620-02020	1	7
119620-77421	16	4
119620-77460	16	2
119620-77470	16	3
119620-77710	16	17
119620-79200	16	5
119620-79210	16	6
119620-79220	16	7
119620-79230	16	8
119620-79240	16	10
119620-79250	16	11
119620-79290	16	18
119620-79300	16	19
119620-79310	16	20
119620-79320	16	21
119620-79330	16	22
119620-79340	16	24
119620-79350	16	15
119625-11870	4	17
	18	5
119625-11880	4	18
	18	6
119625-11900	4	19
119626-12800	5	15
119626-21700	8	15
119626-26690	9	4
119626-44741	11	19
119653-77950	13	80
119655-12560	5	10
119660-61901	13	76
119808-12540	5	9
119808-77330	16	25
119810-01200	1	27

Parts No.	Fig. No.	Ref. No.
119810-01730	3	14
119810-02800	1	18
119810-02870	1	29
119810-02930	1	21
119810-02940	1	32
119810-11100	4	9
119810-11110	4	10
119810-11120	4	11
119810-11240	4	22
119810-14400	7	2
119810-14580	7	3
119810-23200	8	28
119810-23600	8	29
119810-23610	8	31
119810-23910	8	27
119810-39200	10	28
119810-42001	11	2
119812-11700	4	2
119813-12110	5	1
	18	7
119813-12120	5	2
119813-13100	6	1
119813-13110	6	2
	18	8
119813-21000	8	1
119813-22300	8	22
119813-59812	14	30
119813-59821	14	31
119813-59831	14	32
119818-01330	1	28
	18	2
119818-22500	8	18
119818-22930	8	33
119818-22950	8	35
119820-01650	3	5
119820-01780	3	7
	17	2
119820-34800	10	16
119822-34810	10	38
119822-99010	17	1
119840-59500	14	35
119840-59560	14	37
119840-59570	14	38
119865-11210	4	21
119865-11310	4	41
	18	3
119865-12600	5	17
119865-21600	8	14
119867-01770	3	10
119867-35090	10	18

Parts No.	Fig. No.	Ref. No.
119908-51300	12	25
119908-53000	14	2
119908-61501	13	32
119923-01580	2	3
119923-01610	3	1
119923-11290	4	36
119923-11350	4	44
119923-12500	5	7
119923-12510	5	8
119923-12550	5	16
119923-12601	5	21
119923-13500	6	8
119923-13600	6	9
119923-21580	8	12
119923-22080	8	16
119923-26010	9	3
119923-42000	11	1
119923-99020	18	1
121111-21501	8	11
121250-44901	11	29
121250-59550	14	34
121450-01560	2	2
121450-42450	11	27
121850-21680	8	10
121850-51960	2	30
	17	8
122710-51090	12	8
124060-11800	4	5
124066-59100	14	33
		36
124160-01751	2	7
124160-01910	1	4
		5
124160-11340	4	14
	18	4
124160-11360	4	45
124160-39140	10	27
124240-01871	2	8
		26
124240-01883	2	9
		27
	9	1
	17	4
124465-44950	11	28
	18	11
		12
124550-51350	12	30
124550-51370	12	31
124550-59820	10	34
124550-59830	10	33

Parts No.	Fig. No.	Ref. No.
124550-66370	13	59
124574-44761	11	20
124701-11911	6	7
	18	9
124732-77340	16	28
124766-59050	14	56
124950-11340	4	15
124950-51190	12	15
126650-12680	5	13
128401-77440	16	12
128401-77450	16	23
129001-01250	1	12
129001-32001	10	1
129001-35300	10	23
129001-91841	2	24
129052-61050	13	4
129052-61060	13	5
129052-61070	13	6
129052-61390	13	31
129052-77380	16	9
129052-79260	16	13
129052-79270	16	14
129100-01520	2	1
129100-01580	1	15
		16
	8	2
129100-01590	2	4
129100-25061	1	24
129100-51560	12	49
129100-51570	12	48
129100-52100	12	97
129100-59951	14	40
129100-61400	13	17
129100-61650	13	78
129100-61930	13	89
129108-51100	12	9
129120-77501	5	4
129129-77010	15	1
129129-77210	15	6
129129-77220	15	7
129129-77230	15	8
129129-77240	15	9
129129-77250	15	10
129129-77260	15	21
129129-77270	15	22
129129-77280	15	23
129129-77290	15	24
129129-77300	15	25
129129-77310	15	27
129129-77320	15	28

Parts No. Index

Parts No.	Fig. No.	Ref. No.
129129-77330	15	29
129129-77340	15	30
129129-77350	15	31
129129-77362	15	32
129129-77370	15	33
129129-77380	15	34
129129-77390	15	14
129129-77400	15	17
129129-77410	15	18
129129-77420	15	19
129129-77430	15	20
129129-77460	15	3
129150-01881	7	15
129150-02450	7	4
129150-03020	4	37
129150-03070	4	38
129150-03080	4	39
129150-03090	4	1
129150-11230	4	29
129150-11280	4	27
129150-11750	4	31
129150-14101	7	6
129150-14200	7	1
129150-21200	8	4
129150-25101	7	9
129150-25301	7	8
129150-25920	7	12
129150-25931	7	14
129150-26000	7	16
129150-26050	7	17
129150-32020	10	14
	17	5
129150-35041	10	17
	17	6
129150-35101	10	20
129150-35111	10	21
	17	7
129150-35151	10	22
129150-35350	10	24
129150-42320	11	12
129150-49811	11	25
	18	14
129150-59120	14	49
129150-59131	14	28
		52
129150-59580	14	39
129150-77511	5	5
129150-91400	2	14
129155-11260	4	25
129155-11270	4	26

Parts No.	Fig. No.	Ref. No.
129155-49800	11	24
129155-51020	12	4
129155-51050	12	6
129155-51140	12	12
129155-51180	12	14
129155-51200	12	16
129155-51270	12	23
129155-51280	12	24
	13	2
129155-51380	12	33
129155-51390	12	34
129155-51400	12	35
129155-51410	12	36
129155-51420	12	37
129155-51450	12	38
129155-51500	12	43
129155-51521	12	44
129155-51530	12	45
129155-51540	12	46
129155-51550	12	47
129155-51570	12	50
129155-51580	12	51
129155-51591	12	52
129155-51600	12	53
129155-51701	12	72
129155-51711	12	73
129155-51751	12	74
129155-51760	12	75
129155-51790	12	76
129155-51930	12	78
129155-51940	12	79
129155-52050	12	96
129155-61120	13	7
129155-61130	13	8
129155-61140	13	9
129155-61341	13	14
129155-61350	13	15
129155-61360	13	16
129155-61430	13	20
129155-61450	13	24
129155-61460	13	25
129155-61480	13	26
129155-61830	13	75
129155-61950	13	77
129156-51910	12	77
129171-51040	12	5
129208-51060	12	7
129208-54500	12	90
129209-61450	13	81
129210-59010	14	55

Parts No.	Fig. No.	Ref. No.
129350-49530	11	22
129400-92420	17	18
129403-42380	11	31
129486-01670	3	8
129486-42050	11	16
	18	10
129486-61201	13	10
129486-61540	13	51
129505-61440	13	91
129555-44750	11	15
129573-51330	12	28
129573-51340	12	29
129573-51370	12	32
129612-12650	5	12
129612-59510	14	57
129792-22400	8	23
129795-01800	2	6
	17	3
129795-01900	2	17
	16	26
129795-01950	1	17
129795-02411	1	10
129795-21661	8	9
129795-49551	11	23
	18	13
129900-07900	4	47
129961-77200	16	1
171051-01921	1	6
171056-49120	10	42
171301-21650	8	8
171353-61710	13	79
174307-51170	12	13
174307-51700	13	33
194150-01370	13	92
198220-48140	9	5
22117-040000	13	60
22137-080000	13	93
22190-060003	13	61
22190-080002	2	10
		18
	10	35
		41
	17	9
		10
22190-100002	10	36
	13	62
22190-120002	3	13
	13	63
	14	48
		58

Parts No.	Fig. No.	Ref. No.
22190-160002	12	89
22217-050000	12	80
22217-060000	12	81
22217-120000	12	92
22287-120000	13	64
22351-040010	8	7
22351-050010	12	82
22351-060012	1	25
22372-040000	13	65
22417-160180	13	94
22512-070140	7	7
	8	5
23000-054000	5	22
23000-060000	5	23
23414-080000	17	11
23414-100000	17	12
23414-120000	18	16
23876-010000	1	11
23876-030000	11	13
23887-100002	13	66
23887-120002	3	11
24101-063034	12	83
24105-060064	7	19
24311-000120	4	46
	18	17
24311-000160	2	19
	10	25
	17	13
		14
24311-000200	9	6
24311-000320	2	11
	17	15
	18	18
24311-240100	10	39
24341-000160	12	84
24341-000240	2	16
	17	16
		17
24341-000280	13	67
24341-000500	4	42
25132-003700	11	30
26014-060252	11	21
26014-080452	16	29
26022-050122	12	85
26022-060162	12	86
26106-060102	13	68
		69
		70
26106-060142	13	71
26106-060162	2	13

Parts No. Index

Parts No.	Fig. No.	Ref. No.
26106-060202	13	72
26106-060402	9	7
26106-080122	2	12
		28
26106-080142	7	13
26106-080162	2	20
		21
	3	15
	4	20
	10	40
26106-080202	6	10
	10	26
26106-080222	4	43
26106-080252	4	33
	5	3
26106-080352	3	9
	5	6
	10	19
	11	17
26106-080452	1	26
	2	22
	3	2
26106-080502	4	34
26106-080552	2	23
	11	18
26106-080602	6	4
26106-080952	9	8
26116-050302	12	87
26116-120252	15	35
26116-120504	15	36
26206-100202	3	3
26206-100252	3	4
26216-060302	4	7
26216-080402	9	9
26216-080602	6	6
26226-080182	4	32
26306-080002	2	25
	5	24
	6	3
		11
	9	2
	11	26
26306-100002	16	27
26366-060002	4	35
26366-080002	13	90
26450-060252	10	15
26716-060002	12	88
26716-120002	12	93
26756-060002	13	73
26776-120002	13	74

Parts No.	Fig. No.	Ref. No.
27241-120000	1	13
27241-300000	1	14
27241-400000	4	8
27310-070000	4	13
719810-11660	4	28
719810-23100	8	24
719822-01560	1	1
719908-53100	14	1
719988-51450	12	1
977770-01212	2	29
	3	16
	17	19
X0280210230	15	11
X0283060061	15	2
X0283270140	15	12
X9490561001	16	16
X9490561370	15	4
X9491200240	15	5
X9491703371	15	13
X9491730461	15	26

Parts No.	Fig. No.	Ref. No.
-----------	----------	----------

Parts No.	Fig. No.	Ref. No.
-----------	----------	----------