

0CB10-M65203EN

## Directions for the Parts Catalog.

1. This Parts Catalog shows both standard and optional parts.
2. Parts may change without prior notice.
3. The following is an example of the Parts Catalog format.

REF.	LEV.	PARTS NO.	DESCRIPTION	Q'TY						I	R
				(A)	(B)	(C)	(D)	(E)	(F)		
1	1	729595-51390	FUEL INJECTION PUMP	1	1	1	1	1			1
1-1	1	729595-51391	FUEL INJECTION PUMP	1	1	1	1	1		N	1
		(A=E00185) (B=E00200)									
3	2	26022-060162	SCREW M 6X 16	9	9	9	9	9			
3-1	2	26022-060162	SCREW M 6X 16	4	4	4	4	4		K	
		(A=E00156) (B=E00156) (C=E00156) (D=E00156) (E=E00156)									
4	2	129470-51040	CAMSHAFT	1	1	1	1	1			
5	2	122710-51050	BEARING, ROLLER	2	2	2	2	2			
6	2	129470-51060	RETAINER	1	1	1	1	1			

Remarks
(1) BOOST COMPEMSATOR TYPE. OPTIONAL PART, TO E00155,(4JH-DT, 4JH-DTZ

### ① Ref. No.

The Ref. No. listed may not be in accordance with the illustration Ref. No.

(Ex.) Illustration No.

List Ref No.

1

1

(Before change)

1-1

(After change)

For interchangeable symbols N, R and K, illustrations for new parts may be abbreviated.

### ② Lev. (Level)

Level indication

The numbers below indicate the level of relativity towards the main part.

1 ----- Main parts (Assembly parts)

2 ----- Sub component included in " 1 ".

3 ----- Sub component included in " 2 ".

Note) Parts that are not for sale are partially illustrated but not listed.

### ③ Interchangeability Symbol

When a part change takes place, one of the following interchangeability symbols is indicated beside the part.

Symbol	Interchangeability	Contents note
N	Old $\begin{matrix} \leftarrow \text{Yes} \\ \text{No} \rightarrow \end{matrix}$ New	New Part is interchangeable for Old Part but Old Part is not interchangeable for New Part.
Q	Old $\begin{matrix} \leftarrow \text{No} \\ \text{Yes} \rightarrow \end{matrix}$ New	New Part is not interchangeable for Old Part but Old Part is interchangeable for New Part.
R	Old $\begin{matrix} \leftarrow \text{Yes} \\ \text{Yes} \rightarrow \end{matrix}$ New	New/ Old Parts are both interchangeable.
S	Old $\begin{matrix} \leftarrow \text{No} \\ \text{No} \rightarrow \end{matrix}$ New	New/ Old Parts are both not interchangeable.
W		Part newly added.
Z		Part discontinued.
F		Not interchangeable by a single part but interchangeable together with related parts.
K		Changes only for used parts quantities.

### ④ Effective Machine No.

When a part changes, the effective Machine No. will be indicated in the (A)-(F) column.

Product Symbol	Product No.	Product Symbol	Product No.
C	Clutch No. Compressor No.	F	Machine No. (Agricultural Equip.)
D	Drive No.	M	Machine No.
E	Engine No.		

Note 1) A date may follow the symbol. (Ex.) 1996.01

Note 2) "XXXXX" and "ZZZZZ" are for parts that could not be predicted or for engine models that could not be identified.

Note 3) (A=E00185) is the E (Engine Serial Number) for the column (A) model (in this case 4JH-DT) after the parts design change.

### ⑤ Remarks

Figures or alphabets (symbols) are entered in the remarks column.

The comments (remarks) on parts that are indicated at the bottom of the illustration are the same symbols as those stated above.

# Contents

OCB10-M65203

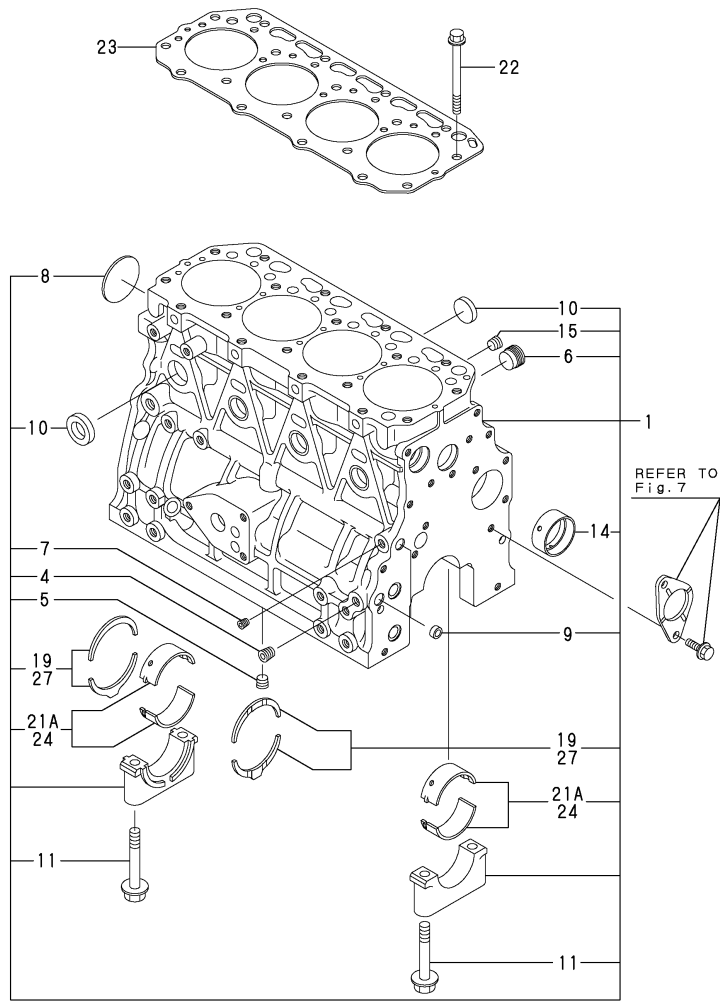
Fig. No. Fig. Name

Fig. No. Fig. Name

## ENGINE 4TNE88-EBVC

1. CYLINDER BLOCK
2. GEAR HOUSING
3. FLYWHEEL HOUSING & L.O. SUMP
4. CYLINDER HEAD & BONNET
5. SUCTION MANIFOLD
6. EXHAUST MANIFOLD
7. CAMSHAFT & DRIVING GEAR
8. CRANKSHAFT & PISTON
9. LUB OIL SYSTEM
10. COOLING WATER SYSTEM
11. FUEL INJECTION PUMP
12. FUEL INJECTION PIPE
13. FUEL PIPE
14. GOVERNOR
15. STARTING MOTOR
16. GENERATOR
17. GASKET SET & TOOLS

Fig.1. CYLINDER BLOCK



(A)=4TNE88-EBVC  
(B)=  
(C)=

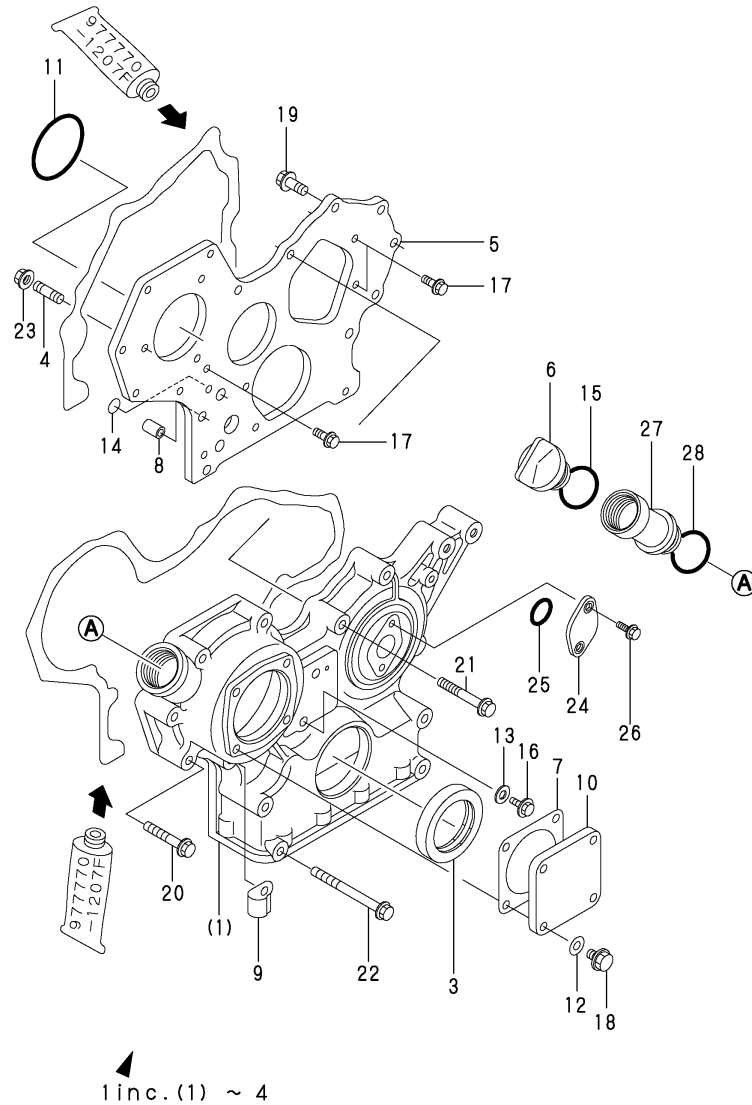
(D)=  
(E)=  
(F)=

No.	Lev.	Parts No.	Description	Q'ty						I	R
				(A)	(B)	(C)	(D)	(E)	(F)		
1	1	729407-01561	BLOCK ASSY, CYLINDER	1							
4	3	124160-01910	PLUG, PT1/4	2							
5	3	124160-01910	PLUG, PT1/4	1							
6	3	171051-01921	PLUG, NPTF1	1							
7	3	23876-010000	PLUG, R01	1							
8	3	129001-01250	PLUG, 50	1							
9	3	27241-120000	PLUG, 12	2							
10	3	27241-300000	PLUG 30	8							
11	3	129150-02020	BOLT, METAL CAP	10							
14	3	129795-02411	BUSH, CAMSHAFT	1							
15	2	23876-030000	PLUG, R03	1							
19	2	129150-02930	BEARING, THRUST	2							
21A	2	129001-02930	BEARING, MAIN	5						W	3
(A=EXXX)											
22	1	129150-01200	BOLT, HEAD	18							
23	1	129407-01340	GASKET, HEAD	1							
24	1	129150-02870	BEARING, 0.25 US	5							1
27	1	129150-02940	BEARING, THRUST 0.25	1							2

Remarks

- (1) UNDER SIZED (U.S.=0.25) PART.
- (2) OVER SIZED (O.S.=0.25) PART.
- (3) REPAIR PART.

Fig.2. GEAR HOUSING



(A)=4TNE88-EBVC  
(B)=  
(C)=

(D)=  
(E)=  
(F)=

No.	Lev.	Parts No.	Description	Q'ty						I	R
				(A)	(B)	(C)	(D)	(E)	(F)		
1	1	719810-01500	CASE ASSY, GEAR	1							
3	2	129795-01800	SEAL, OIL	1							
4	2	121450-01560	STUD, M8X22	3							
5	1	129400-01520	FLANGE, GEAR CASE	1							
6	1	124160-01751	COVER, FILLER	1							
7	1	124240-01883	GASKET	1							
8	1	129795-01950	PIPE, KNOCK L=18	2							
9	1	129150-03100	RETAINER, PIPE	1							
10	1	124240-01871	COVER	1							
11	1	121850-51960	O-RING	1							
12	1	22190-080002	WASHER, SEAL 6	4							
13	1	22190-080002	WASHER, SEAL 6	1							
14	1	24311-000160	O-RING, 1AP16.0	2							
14-1	1	119609-32040	O-RING, P16	2							R
(A=E/#68125)											
15	1	24311-000320	O-RING, 1AP32.0	1							
16	1	26106-080162	BOLT, M8X 16 PLATED	1							
17	1	26106-080162	BOLT, M8X 16 PLATED	3							
18	1	26106-080122	BOLT, M8X 12 PLATED	4							
19	1	26106-080202	BOLT, M8X 20 PLATED	2							
20	1	26106-080452	BOLT, M8X 45 PLATED	6							
21	1	26106-080552	BOLT, M8X 55 PLATED	3							
22	1	129001-91841	BOLT, M8X85	4							
23	1	26366-080002	NUT, M8	3							
23-1	1	26306-080002	NUT, M8	3							N
(A=E/#59887)											
24	1	121023-01550	COVER	1							
25	1	24341-000240	O-RING, 1AS24.0	1							
26	1	26106-060162	BOLT, M6X 16 PLATED	2							
27	1	171031-11741	PIPE	1							
28	1	24311-000320	O-RING, 1AP32.0	1							

Fig.3. FLYWHEEL HOUSING & L.O. SUMP

(A)=4TNE88-EBVC

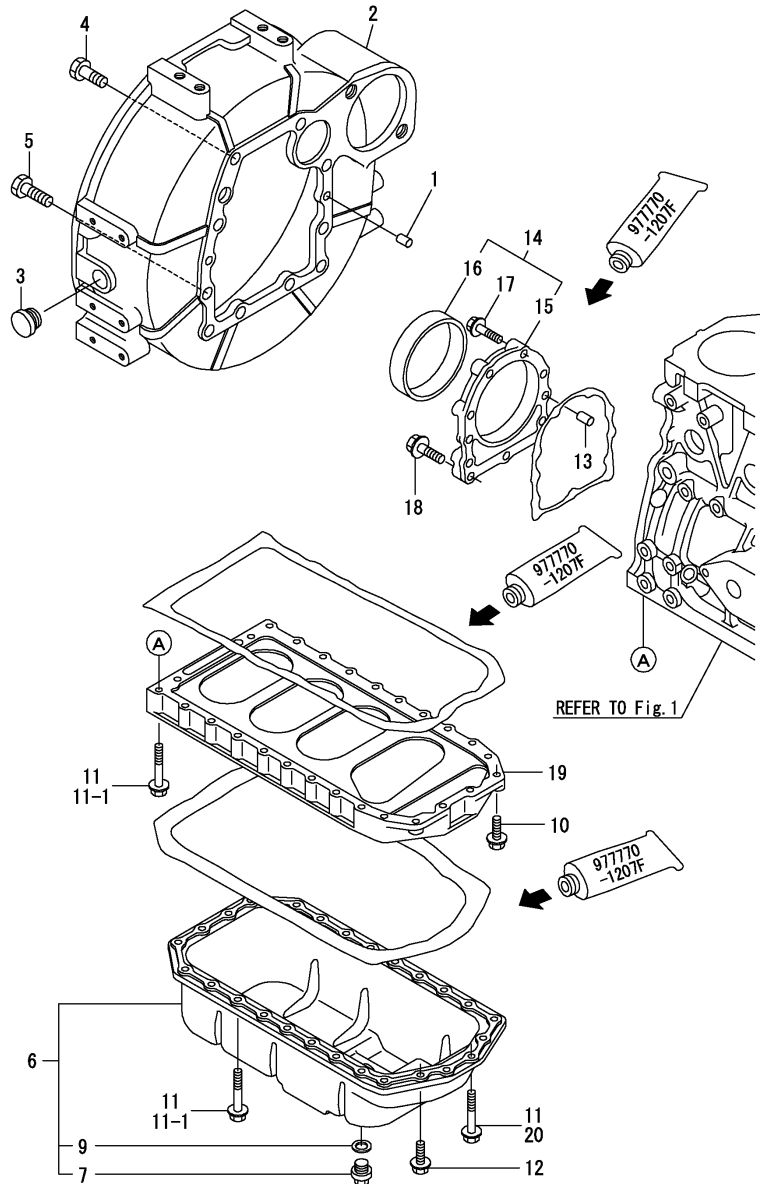
(B)=

(C)=

(D)=

(E)=

(F)=

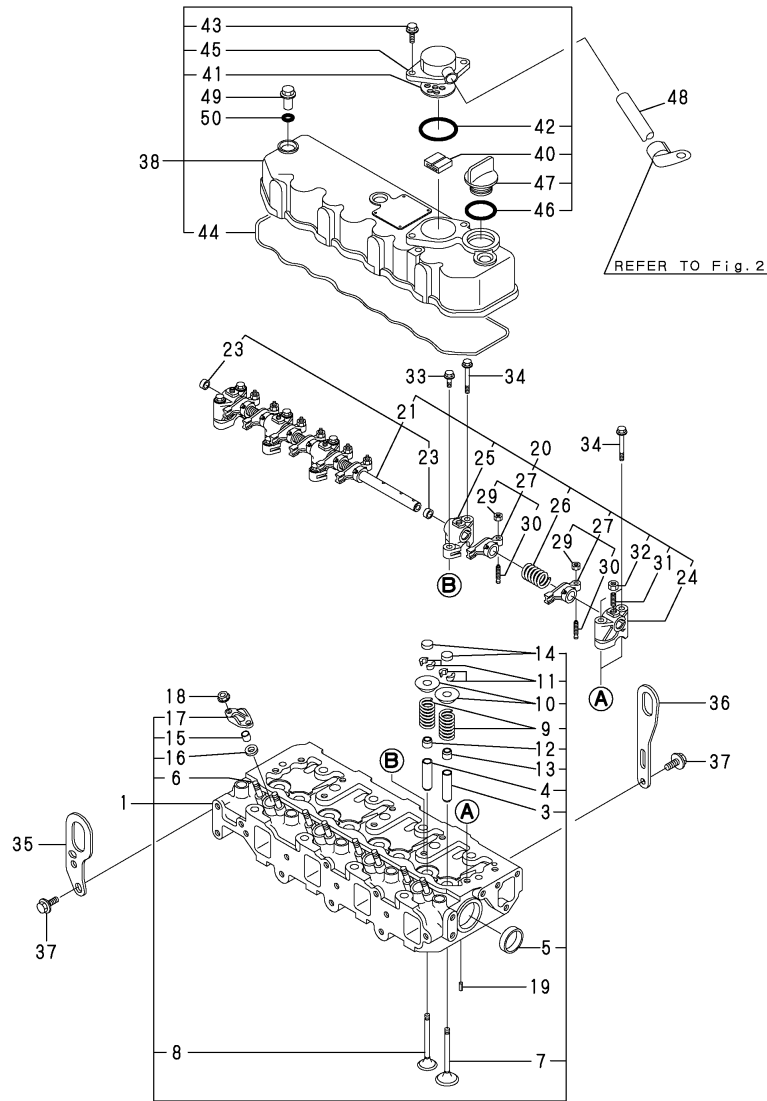


No.	Lev.	Parts No.	Description	Q'ty						I	R
				(A)	(B)	(C)	(D)	(E)	(F)		
1	1	129100-01580	PIN, M8X16	2							
2	1	129612-01600	HOUSING, FLYWHEEL	1							
3	1	119620-01750	CAP	1							
4	1	26206-100252	BOLT, M10X 25 PLATED	6							
5	1	26206-100302	BOLT, M10X 30 PLATED	4							
6	1	129436-01780	SUMP ASSY, OIL	1							
7	2	119640-01640	PLUG, DRAIN M22	1							
9	2	22190-220002	WASHER, SEAL 22	1							
10	1	26106-080252	BOLT, M8X 25 PLATED	2							
11	1	26106-080452	BOLT, M8X 45 PLATED	24							
11-1	1	26106-080452	BOLT, M8X 45 PLATED	20							K
(A=FROM 1ST)											
12	1	26106-080162	BOLT, M8X 16 PLATED	4							
13	1	129100-01580	PIN, M8X16	2							
14	1	129100-01640	CASE ASSY, OIL SEAL	1							
15	2	129150-01650	CASE, OIL SEAL	1							
16	2	129795-01780	SEAL, OIL	1							
17	1	129486-01670	BOLT, M8X30	6							
18	1	26106-080352	BOLT, M8X 35 PLATED	3							
19	1	129400-01730	SPACER, OIL SUMP	1							
20	1	26106-080502	BOLT, M8X 50 PLATED	4							W
(A=FROM 1ST)											

Fig.4. CYLINDER HEAD & BONNET

(A)=4TNE88-EBVC  
(B)=  
(C)=

(D)=  
(E)=  
(F)=



No.	Lev.	Parts No.	Description	Q'ty						I	R
				(A)	(B)	(C)	(D)	(E)	(F)		
1	1	129407-11700	HEAD ASSY, CYLINDER	1							
3	3	120130-11860	GUIDE, VALVE	4							1
4	3	129150-11810	GUIDE, VALVE	4							1
5	3	27241-400000	PLUG, 40	2							
6	3	26216-060202	STUD, M6X 20	8							
7	2	129100-11100	VALVE, INTAKE	4							
8	2	129100-11110	VALVE, EXHAUST	4							
8-1	2	129100-11111	VALVE, EXHAUST	4							R
(A=E/#83642)											
9	2	129795-11120	SPRING, VALVE	8							
10	2	129795-11180	RETAINER, SPRING	8							
11	2	27310-080001	COTTER, 8	8							
12	2	121400-11340	SEAL, VALVE STEM	4							
13	2	124460-11340	SEAL, VALVE STEM	4							
14	2	129150-11370	CAP, VALVE	8							
15	2	119625-11870	PROTECTOR, NOZZLE	4							
15-1	2	119625-11872	PROTECTOR, NOZZLE	4							R
(A=E/#71195)											
15-2	2	119625-11870	PROTECTOR, NOZZLE	4							N
(A=E/#74708)											
16	2	119625-11880	SEAT, NOZZLE	4							
17	2	119625-11900	RETAINER, NOZZLE	4							
18	1	26366-060002	NUT, M6	8							
19	1	22351-060012	PIN, SPRING 6.0X12	2							
20	1	129500-11240	SHAFT ASSY, ROCKER	1							
21	2	129550-11290	SHAFT, ROCKER ARM	1							
23	3	27241-100000	PLUG, 10	2							
24	2	129155-11260	SUPPORT, ROCKER ARM	2							
25	2	129155-11270	SUPPORT, ROCKER ARM	3							
26	2	129150-11280	SPRING	4							
27	2	129100-11650	ARM, ROCKER	8							
29	3	129150-11750	NUT, M8	8							
30	3	129150-11230	SCREW, VALVE ADJUST	8							
31	2	26226-080182	STUD, M8X 18	3							
31-1	2	119802-11280	STUD	3							R
(A=E/#69519)											
32	2	26756-080002	NUT, LOCK M8	3							
33	1	26106-080252	BOLT, M8X 25 PLATED	3							
34	1	26106-080502	BOLT, M8X 50 PLATED	7							
35	1	119260-07900	LIFTER	1							
35-1	1	119626-07900	LIFTER	1							N
(A=E/#83642)											
36	1	124736-07900	LIFTER	1							
37	1	26106-080142	BOLT, M8X 14 PLATED	4							
38	1	129400-11350	BONNET ASSY, HEAD	1							
40	2	129150-03070	BAFFLE, BREATHER	1							
41	2	129150-03080	PLATE, BAFFLE	1							
42	2	24341-000500	O-RING, 1AS50.0	1							
43	2	26106-080162	BOLT, M8X 16 PLATED	2							
44	2	129550-11310	GASKET, BONNET	1							
45	2	129150-03020	COVER, BREATHER	1							

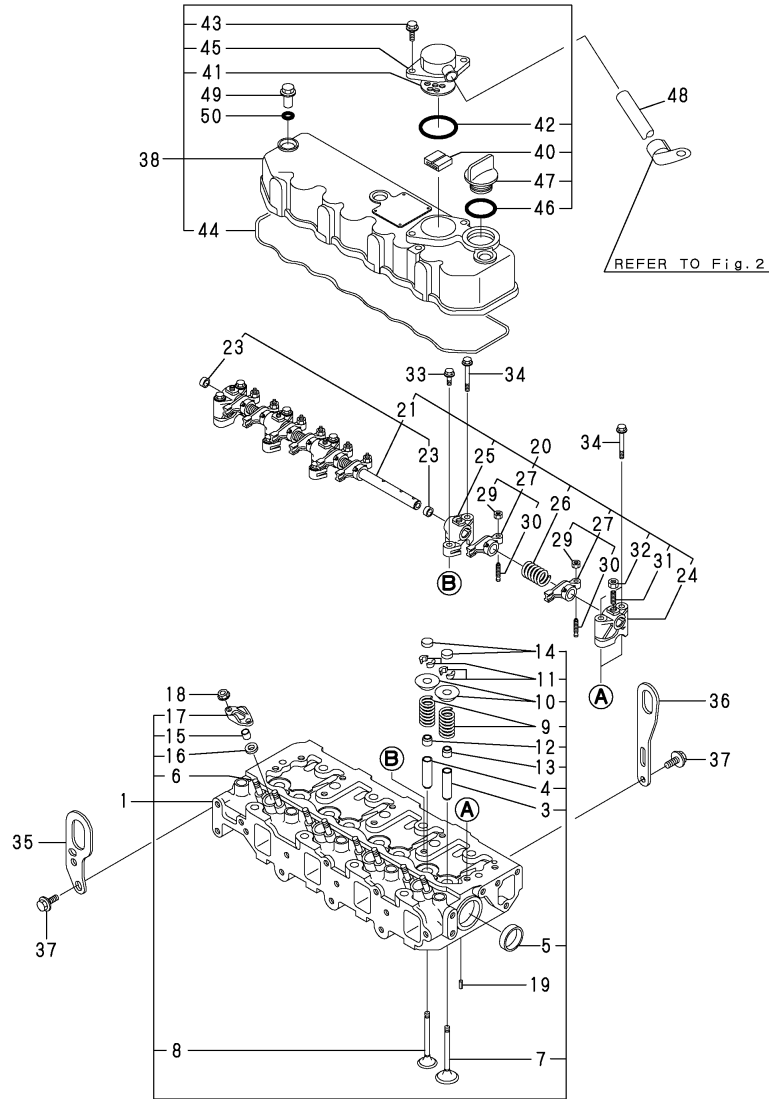
Remarks

(1)REPAIR PART.

Fig.4. CYLINDER HEAD & BONNET

(A)=4TNE88-EBVC  
(B)=  
(C)=

(D)=  
(E)=  
(F)=



No.	Lev.	Parts No.	Description	Q'ty						I	R
				(A)	(B)	(C)	(D)	(E)	(F)		
46	2	24311-000320	O-RING, 1AP32.0	1							
47	2	124160-01751	COVER, FILLER	1							
48	1	171350-03090	PIPE , BREATHER 900	1							
49	1	124160-11360	KNOB	3							
50	1	24311-000120	O-RING, 1AP12.0	3							

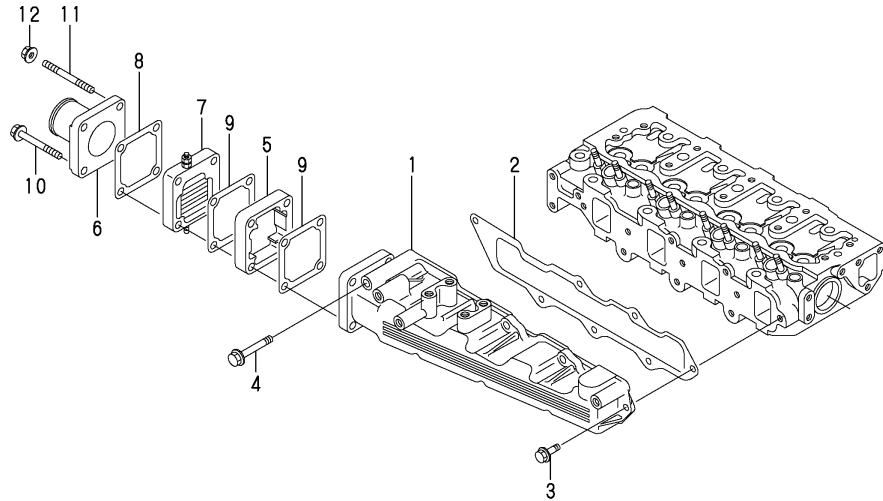
Remarks  
(1)REPAIR PART.



Fig.5. SUCTION MANIFOLD

(A)=4TNE88-EBVC  
(B)=  
(C)=

(D)=  
(E)=  
(F)=



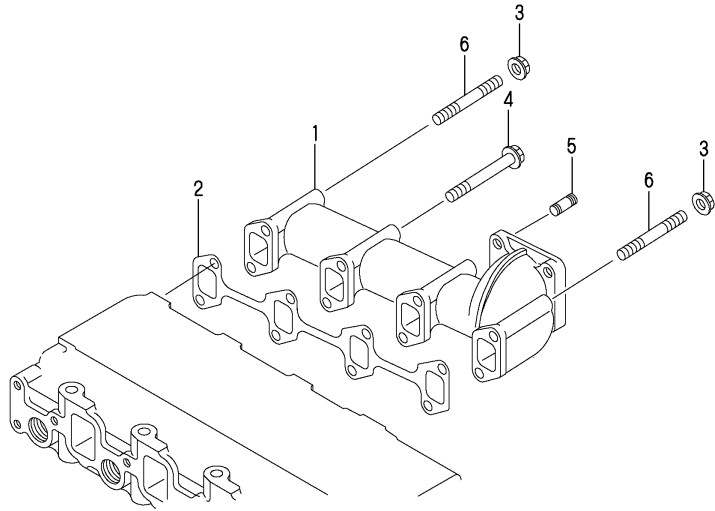
No.	Lev.	Parts No.	Description	Q'ty						I	R
				(A)	(B)	(C)	(D)	(E)	(F)		
1	1	129407-12100	MANIFOLD, AIR INTAKE	1							
2	1	129407-12110	GASKET, MANIFOLD	1							
3	1	26106-080202	BOLT, M8X 20 PLATED	6							
4	1	26106-080802	BOLT, M8X 80 PLATED	1							
5	1	129170-12580	SPACER	1							
6	1	171463-12581	JOINT, MANIFOLD	1							
7	1	129100-77500	HEATER, AIR 12V	1							
8	1	129100-77510	GASKET	1							
9	1	129150-77511	GASKET	2							
10	1	26106-080702	BOLT, M8X 70 PLATED	2							
11	1	26216-080702	STUD, M8X 70	2							
12	1	26366-080002	NUT, M8	2							
12-1	1	26306-080002	NUT, M8	2							N

(A=E/#59887)

Fig.6. EXHAUST MANIFOLD

(A)=4TNE88-EBVC  
(B)=  
(C)=

(D)=  
(E)=  
(F)=

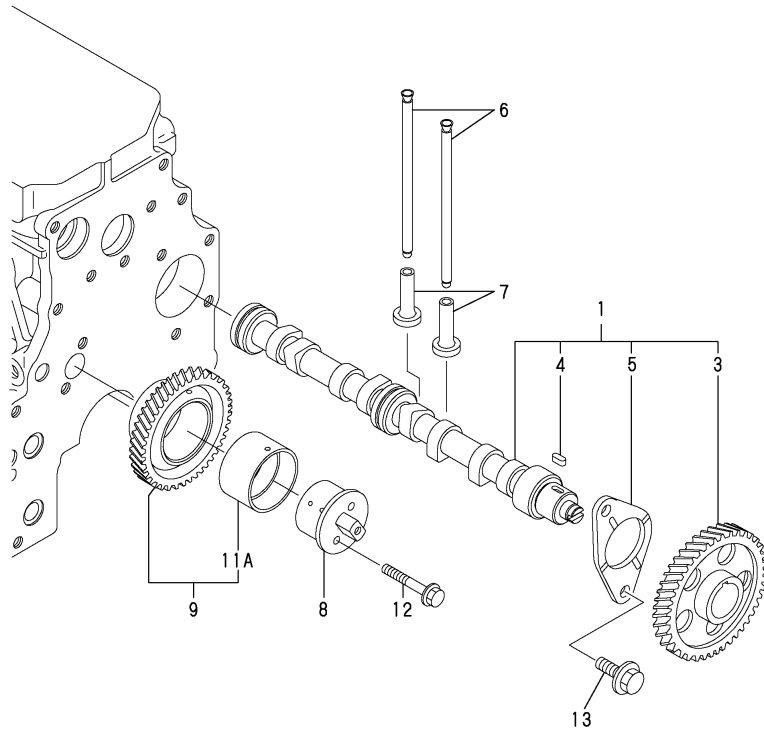


No.	Lev.	Parts No.	Description	Q'ty						I	R
				(A)	(B)	(C)	(D)	(E)	(F)		
1	1	129400-13101	MANIFOLD, EXHAUST	1							
2	1	129550-13110	GASKET	1							
3	1	26366-080002	NUT, M8	2							
3-1	1	26306-080002 (A=E/#59887)	NUT, M8	2							N
4	1	26106-080802	BOLT, M8X 80 PLATED	6							
4-1	1	123900-13630 (A=E/#75973)	BOLT, M8X80	6							N
5	1	119131-18320	STUD, M8X22	4							
6	1	26216-080802	STUD, M8X 80	2							
6-1	1	123900-13610 (A=E/#75973)	STUD, M8X80	2							N

Fig.7. CAMSHAFT & DRIVING GEAR

(A)=4TNE88-EBVC  
(B)=  
(C)=

(D)=  
(E)=  
(F)=



No.	Lev.	Parts No.	Description	Q'ty						I	R
				(A)	(B)	(C)	(D)	(E)	(F)		
1	1	729402-14580	CAMSHAFT ASSY	1							
3	2	129150-14101	GEAR, CAMSHAFT	1							
4	2	22512-070140	KEY, 7X 14	1							
5	2	129150-02450	BEARING, THRUST	1							
6	1	129150-14400	ROD, PUSH L=178	8							
7	1	129150-14200	TAPPET	8							
8	1	129100-25061	SHAFT, IDLE	1							
9	1	129150-25101	GEAR ASSY, IDLE	1							
11A	2	129150-25920	BUSH, IDLE GEAR	1							1
12	1	26106-080452	BOLT, M8X 45 PLATED	2							
13	1	26106-080162	BOLT, M8X 16 PLATED	2							

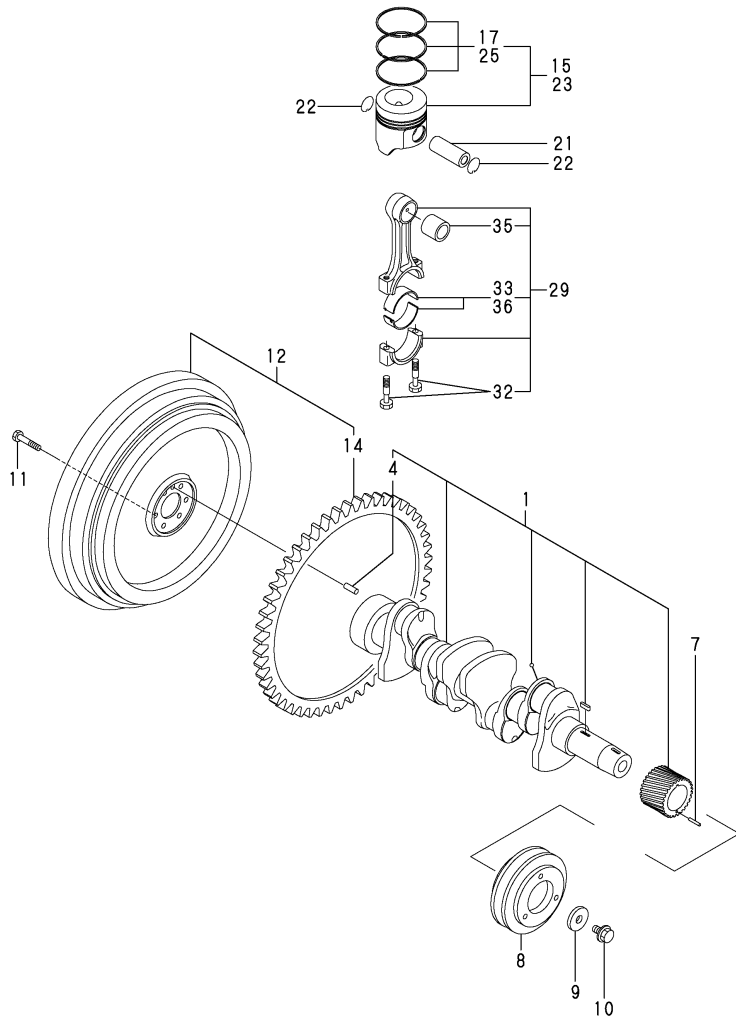
Remarks

(1)REPAIR PART.

Fig.8. CRANKSHAFT & PISTON

(A)=4TNE88-EBVC  
(B)=  
(C)=

(D)=  
(E)=  
(F)=

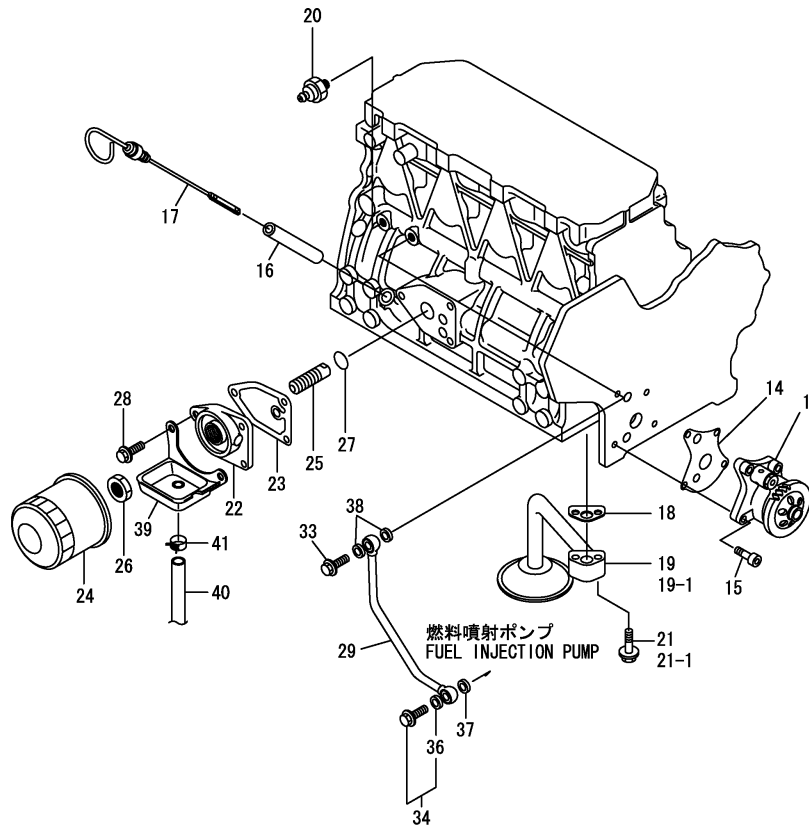


No.	Lev.	Parts No.	Description	Q'ty						I	R
				(A)	(B)	(C)	(D)	(E)	(F)		
1	1	129407-21100	CRANKSHAFT ASSY	1							
4	2	129100-01580	PIN, M8X16	1							
7	1	22351-040010	PIN, SPRING 4.0X10	1							
8	1	171301-21650	V-PULLEY	1							
9	1	129795-21661	WASHER	1							
10	1	121850-21680	BOLT	1							
11	1	121111-21501	BOLT, FLYWHEEL	6							
12	1	129489-21590	FLYWHEEL ASSY	1							
14	2	119865-21600	GEAR, RING	1							
15	1	129001-22081	PISTON ASSY	4							
17	2	129001-22500	RING SET, PISTON	4							
21	1	129202-22300	PIN, PISTON D26 L70	4							
22	1	22252-000260	RING, 26	8							
23	1	129001-22901	PISTON ASSY, 0.25 OS	4							1
25	2	129001-22950	RING SET, 0.25 OS	4							1
29	1	729402-23100	ROD ASSY, CONNECTING	4							
32	2	121550-23200	BOLT, CONNECTING ROD	8							
33	2	129150-23600	BEARING, CRANK PIN	4							
35	2	129100-23910	BEARING, PISTON PIN	4							2
36	1	129150-23610	BEARING, 0.25 US	4							3

Remarks

- (1)OVER SIZED(O.S.=0.25)PART.
- (2)REPAIR PART.
- (3)UNDER SIZED(U.S.=0.25)PART.

Fig.9. LUB OIL SYSTEM



(A)=4TNE88-EBVC  
(B)=  
(C)=

(D)=  
(E)=  
(F)=

No.	Lev.	Parts No.	Description	Q'ty						I	R
				(A)	(B)	(C)	(D)	(E)	(F)		
1	1	129407-32000	PUMP ASSY, OIL	1							
14	1	129150-32020	GASKET, PUMP	1							
15	1	26450-060252	BOLT, M6X 25	4							
16	1	121520-34810	GUIDE, DIPSTICK	1							
17	1	129430-34800	DIPSTICK, OIL	1							
18	1	129150-35041	GASKET	1							
18-1	1	129150-35042	GASKET	1							N
		(A=E/#83642)									
19	1	129436-35091	PIPE ASSY, OIL INLET	1							
19-1	1	129436-35070	PIPE ASSY	1							S
		(A=EZZZZZ)									
20	1	114250-39450	SWITCH, 0.5KG	1							
21	1	26106-080352	BOLT, M8X 35 PLATED	2							
21-1	1	26106-080552	BOLT, M8X 55 PLATED	2							S
		(A=EZZZZZ)									
22	1	129150-35101	BRACKET, STRAINER	1							
23	1	129150-35111	GASKET	1							
24	1	129150-35170	FILTER, LO	1							1
25	1	129001-35300	BOLT, FILTER	1							
26	1	129150-35350	NUT	1							
27	1	24311-000160	O-RING, 1AP16.0	1							
28	1	26106-080222	BOLT, M8X 22 PLATED	3							
29	1	129550-39450	PIPE ASSY, OIL	1							
33	1	124160-39140	BOLT, PIPE JOINT M10	1							
34	1	124550-59830	BOLT ASSY, JOINT M8	1							
36	2	22190-080002	WASHER, SEAL 6	1							
37	1	22190-080002	WASHER, SEAL 6	1							
38	1	22190-100002	WASHER, SEAL 10	2							
39	1	129211-35802	OIL PAN	1							
40	1	23065-120300	PIPE, 12X 300	1							
41	1	23080-014000	CLAMP, 14	1							

Remarks

(1) REPAIR PART.

N:Old  $\begin{matrix} \text{Yes} \\ \text{No} \end{matrix}$  New, Q:Old  $\begin{matrix} \text{No} \\ \text{Yes} \end{matrix}$  New, R:Old  $\begin{matrix} \text{Yes} \\ \text{No} \end{matrix}$  New, S:Old  $\begin{matrix} \text{No} \\ \text{Yes} \end{matrix}$  New, W:Add, Z:Discontinued, F:Interchangeable by set, K:Q'ty Change

Fig.10. COOLING WATER SYSTEM

(A)=4TNE88-EBVC

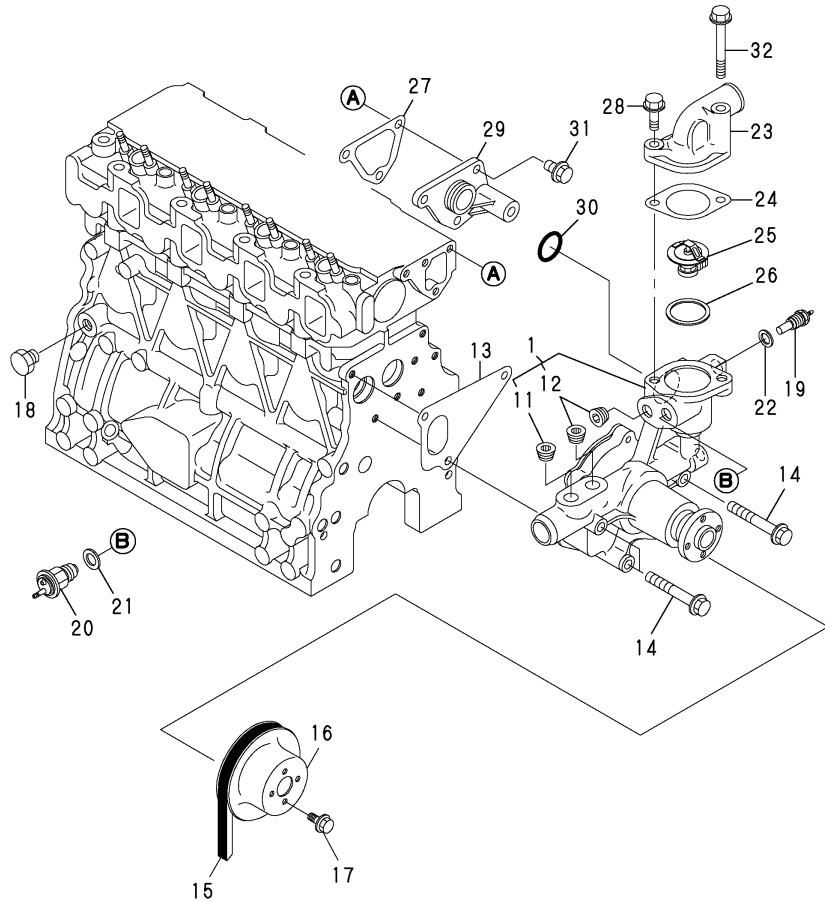
(B)=

(C)=

(D)=

(E)=

(F)=

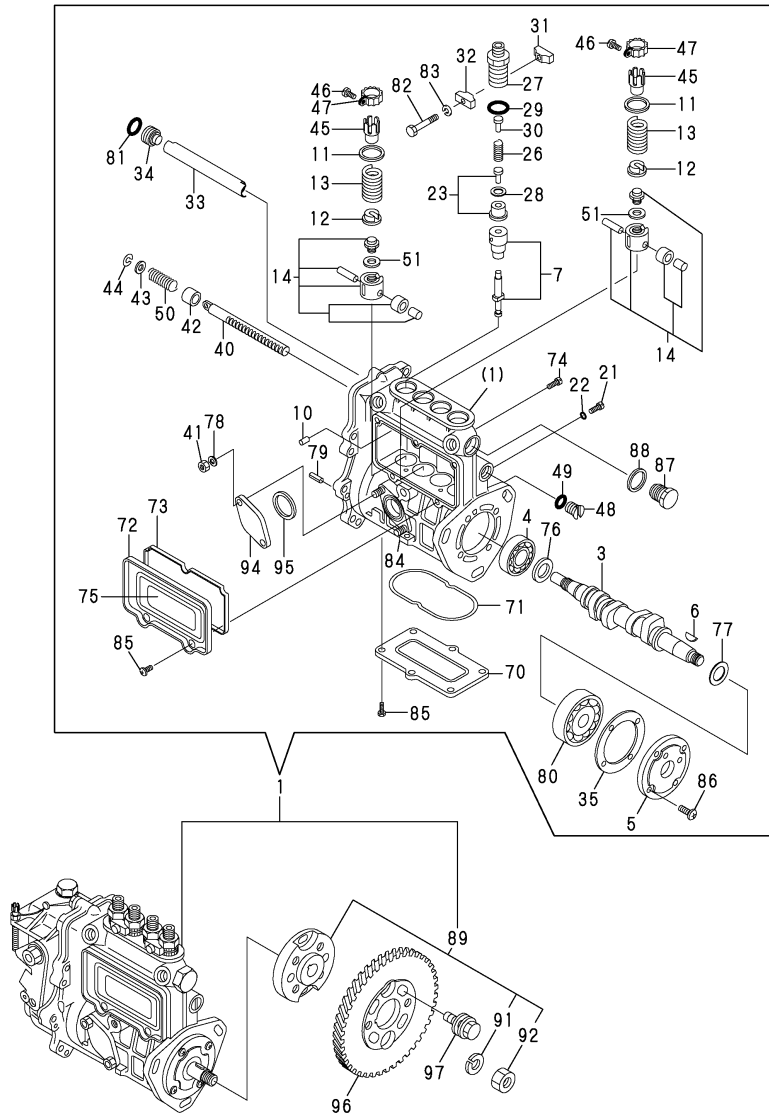


No.	Lev.	Parts No.	Description	Q'ty						I	R
				(A)	(B)	(C)	(D)	(E)	(F)		
1	1	129001-42003	PUMP ASSY, WATER	1							
11	2	23876-020000	PLUG, R02	1							
12	2	23876-030000	PLUG, R03	2							
13	1	129407-42020	GASKET, WATER PUMP	1							
14	1	26106-080602	BOLT, M8X 60 PLATED	3							
15	1	129612-42300	V-BELT, 37.5	1							
15-1	1	129612-42330	V-BELT, A37.5	1							R
(A=E/#83642)											
16	1	129155-42350	V-PULLEY	1							
17	1	26014-060142	BOLT, M6X 14	4							
18	1	171056-49120	PLUG, DRAIN	1							
19	1	171056-49351	SENSOR	1							
20	1	121250-44901	SWITCH, 110	1							
21	1	124465-44950	GASKET, 16	1							
22	1	129150-49360	GASKET	1							
23	1	124101-49530	COVER, THERMOSTAT	1							
23-1	1	124101-49531	COVER, THERMOSTAT	1							N
(A=E/#68125)											
24	1	129795-49551	GASKET	1							
25	1	129155-49800	THERMOSTAT, 71	1							
25-1	1	129155-49801	THERMOSTAT, 71	1							R
(A=E/#82606)											
26	1	129150-49811	GASKET, THERMOSTAT	1							
27	1	129407-49840	GASKET	1							
28	1	26106-080252	BOLT, M8X 25 PLATED	1							
29	1	129001-42040	JOINT	1							
30	1	129486-42140	O-RING, G30	1							
31	1	26106-080162	BOLT, M8X 16 PLATED	3							
32	1	26106-080652	BOLT, M8X 65 PLATED	1							

Fig.11. FUEL INJECTION PUMP

(A)=4TNE88-EBVC  
(B)=  
(C)=

(D)=  
(E)=  
(F)=



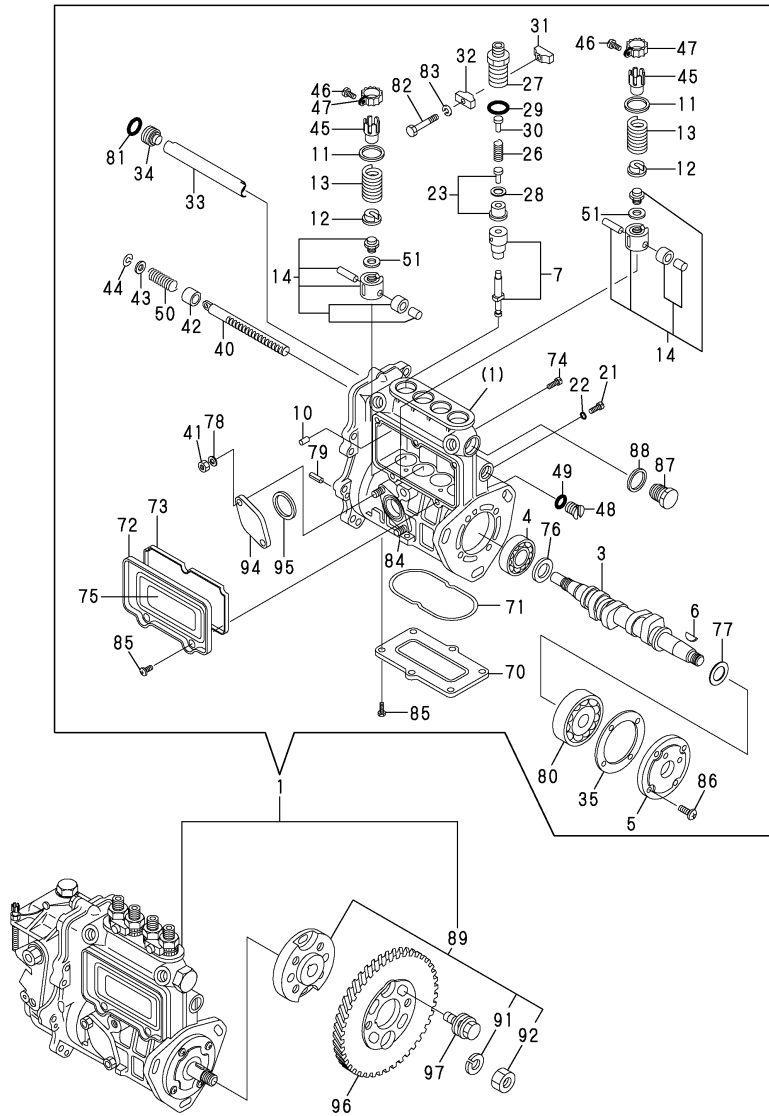
No.	Lev.	Parts No.	Description	Q'ty						I	R
				(A)	(B)	(C)	(D)	(E)	(F)		
1	1	729612-51470	PUMP ASSY, INJECTION	1							1
3	2	129470-51040	CAMSHAFT	1							
4	2	129155-51050	BEARING, 17BM001D	1							
4-1	2	129155-51051	BEARING	1							R
		(A=E/#71195)									
5	2	129208-51060	SUPPORT	1							
6	2	122710-51090	KEY	1							
7	2	129506-51100	PLUNGER ASSY	4							
10	2	129155-51140	PIN	4							
11	2	174307-51170	RETAINER, SPRING A	4							
12	2	129155-51180	RETAINER, SPRING	4							
13	2	124950-51190	SPRING, PLUNGER	4							
14	2	129155-51200	TAPPET ASSY	4							
21	2	129155-51270	STOPPER, TAPPET	4							
22	2	129155-51280	O-RING, S6	4							
23	2	129450-51300	VALVE ASSY, DELIVERY	4							
26	2	129155-51320	SPRING, DELIVERY	4							
27	2	129155-51340	RETAINER	4							
28	2	124550-51350	GASKET, DELIVERY	4							
29	2	124550-51370	O-RING	4							
30	2	129155-51370	STOPPER, VALVE	4							
31	2	129155-51380	STOPPER	2							
32	2	129155-51390	STOPPER	2							
33	2	129555-51400	DEFLECTOR	1							
34	2	129155-51410	BOLT	1							
35	2	129155-51450	SHIM SET, ADJUSTING	1							
40	2	129555-51500	RACK, CONTROL	1							
41	2	26716-060002	NUT, M6	2							
42	2	129155-51521	BUSH, RACK	1							
43	2	129155-51530	SPACER	1							
44	2	129155-51540	CIRCLIP	1							
45	2	129155-51550	PINION, CONTROL	4							
46	2	129100-51570	SCREW	4							
47	2	174307-51560	PINION	4							
48	2	129155-51570	PLUG, M12	1							
49	2	129155-51580	O-RING	1							
50	2	129155-51591	SPRING, RACK	1							
51	2	129155-51600	SHIM SET, ADJUSTING	4							
70	2	129555-51701	COVER	1							
71	2	129555-51711	GASKET	1							
72	2	129555-51751	COVER	1							
73	2	129555-51760	GASKET	1							
73-1	2	129555-51761	GASKET	1							N
		(A=E/#83642)									
74	2	129155-51790	STOOPER, RACK	1							
75	2	129156-51910	LABEL, CAUTION	1							
76	2	129155-51930	SPACER, T=3.25	1							
77	2	129155-51940	SPACER, T=1.5	1							
78	2	22217-060000	WASHER, SPRING 6	2							
79	2	22351-050010	PIN, SPRING 5.0X10	2							
80	2	24101-063034	BEARING, BALL 6303	1							

Remarks  
(1)GOVERNOR ASSY(FIG.14)IS  
INCORPORATED IN THIS  
FUEL INJECTION PUMP.(REF.NO.1)

Fig.11. FUEL INJECTION PUMP

(A)=4TNE88-EBVC  
(B)=  
(C)=

(D)=  
(E)=  
(F)=



No.	Lev.	Parts No.	Description	Q'ty						I	R
				(A)	(B)	(C)	(D)	(E)	(F)		
81	2	24341-000160	O-RING, 1AS16.0	1							
82	2	26116-050302	BOLT, M5X 30 PLATED	2							
83	2	22217-050000	WASHER, SPRING 5	2							
84	2	129155-51020	STUD	2							
85	2	26022-050122	SCREW, M5X12	11							
86	2	26022-060162	SCREW, M6X16	4							
87	2	129155-51420	PLUG, M16	1							
88	2	22190-160002	WASHER, SEAL 16	1							
89	2	129208-54500	FLANGE ASSY	1							
91	3	22217-120000	WASHER, SPRING 12	1							
92	3	26716-120002	NUT, M12	1							
94	2	129100-52200	COVER	1							
95	2	129155-52050	GASKET	1							
95-1	2	129155-52051	GASKET	1							N
(A=E/#83642)											
96	1	129150-25931	GEAR, PUMP	1							
97	1	129150-25301	BOLT	4							

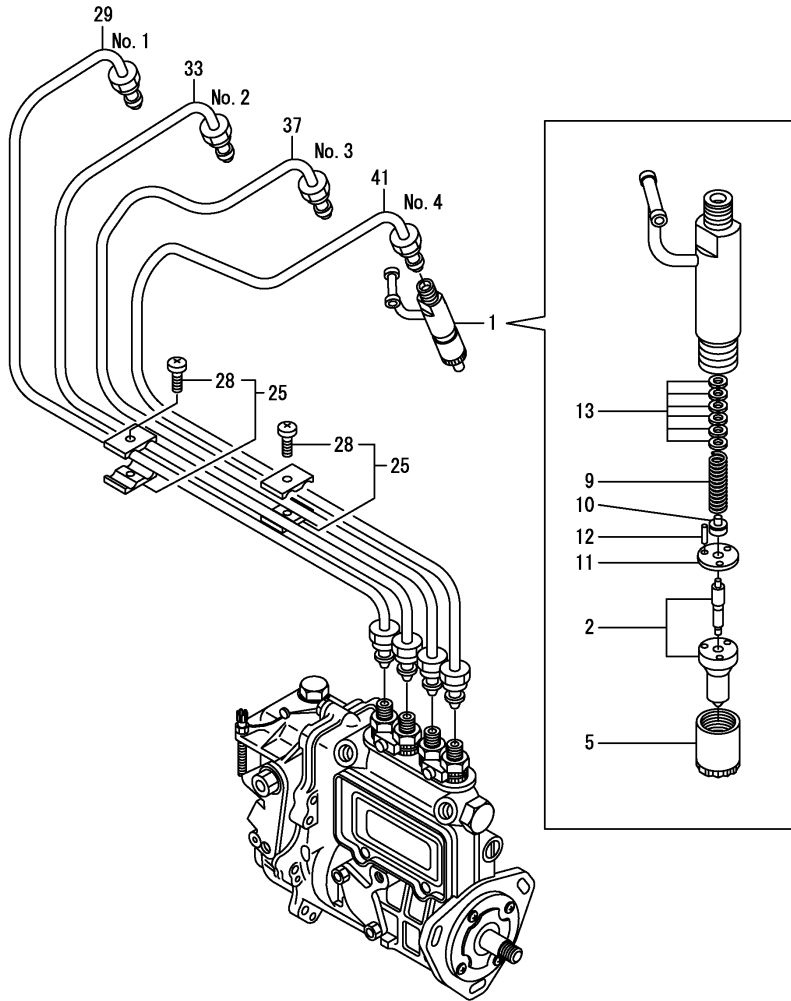
Remarks  
(1)GOVERNOR ASSY(FIG.14)IS  
INCORPORATED IN THIS  
FUEL INJECTION PUMP.(REF.NO.1)



Fig.12. FUEL INJECTION PIPE

(A)=4TNE88-EBVC  
(B)=  
(C)=

(D)=  
(E)=  
(F)=



No.	Lev.	Parts No.	Description	Q'ty						I	R
				(A)	(B)	(C)	(D)	(E)	(F)		
1	1	729102-53100	VALVE ASSY,INJECTION	4							
2	2	129102-53000	VALVE ASSY,INJECTION	4							
5	2	114250-53080	NUT, NOZZLE D16.95	4							
9	2	114250-53120	SPRING, NOZZLE	4							
10	2	114250-53130	SEAT, SPRING	4							
11	2	114250-53140	PLATE	4							
12	2	114250-53210	PIN	8							
13	2	114250-53400	SHIM SET	4							
25	1	119305-59120	RETAINER, PIPE	2							
28	2	129150-59131	BOLT, M4X14	2							
29	1	129423-59810	PIPE ASSY, INJECTION	1							
33	1	129423-59820	PIPE ASSY, INJECTION	1							
37	1	129423-59830	PIPE ASSY, INJECTION	1							
41	1	129423-59840	PIPE ASSY, INJECTION	1							

Fig.13. FUEL PIPE

(A)=4TNE88-EBVC

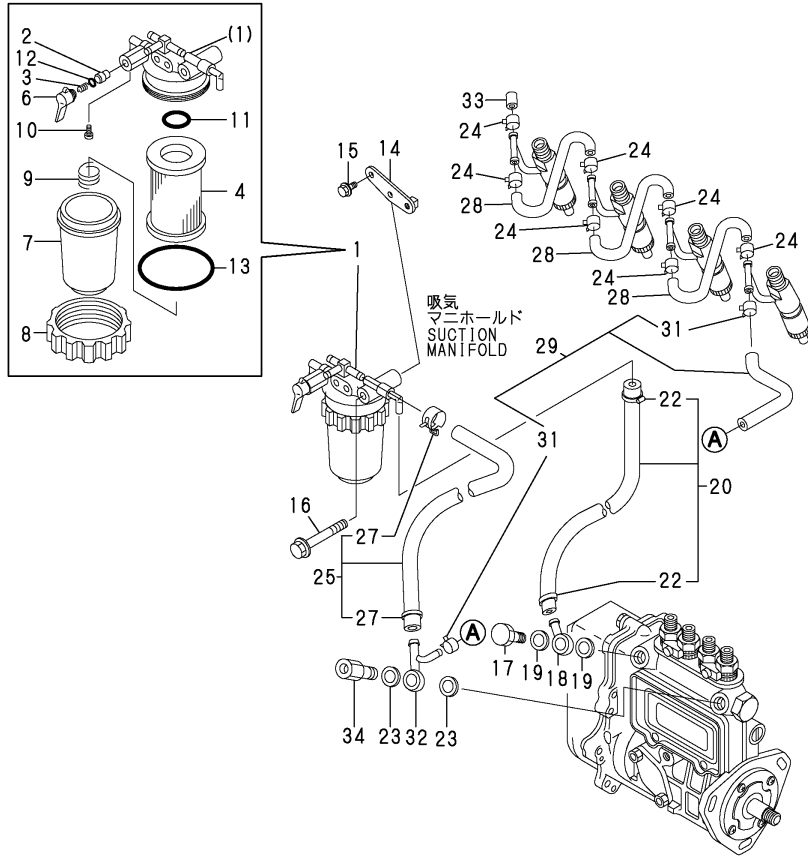
(B)=

(C)=

(D)=

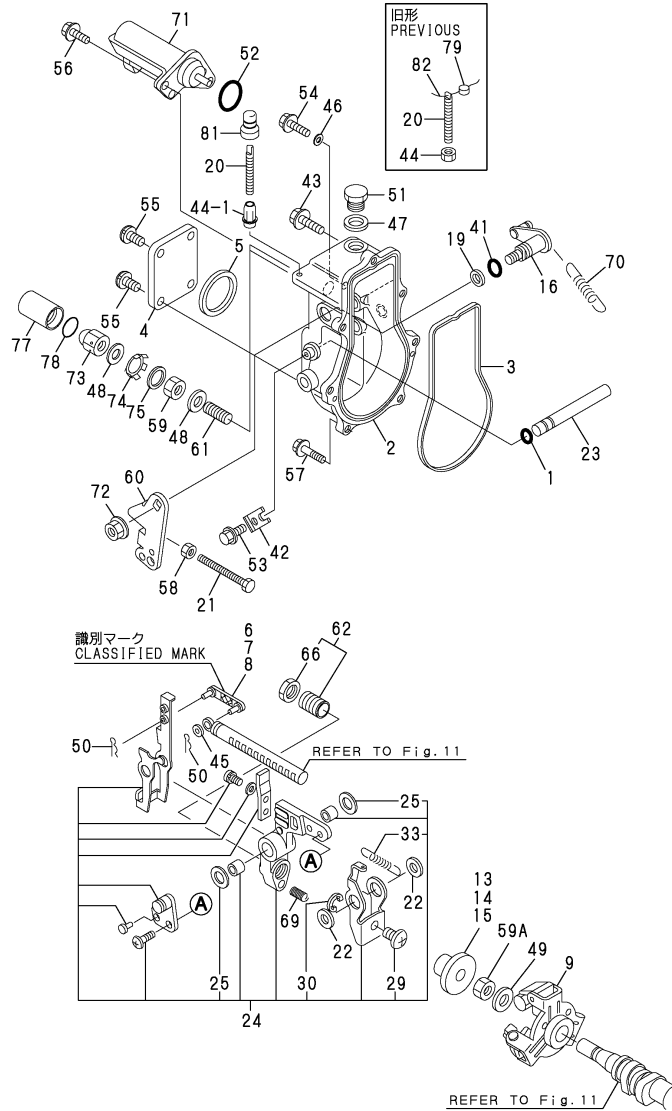
(E)=

(F)=



No.	Lev.	Parts No.	Description	Qty						I	R
				(A)	(B)	(C)	(D)	(E)	(F)		
1	1	129052-55620	FILTER ASSY, FUEL	1							
2	2	104200-55321	VALVE, TAPER	1							
3	2	104200-55330	SPRING, VALVE	1							
4	2	129100-55650	ELEMENT	1							
6	2	129100-55670	LEVER	1							
7	2	129100-55680	CUP, STRAINER	1							
8	2	129100-55690	RING, RETAINING	1							
9	2	129100-55700	SPRING	1							
10	2	104200-55750	SCREW, M4	1							
11	2	24311-000160	O-RING, 1AP16.0	1							
12	2	24311-240100	O-RING, 1AP10A	1							
13	2	24321-000650	O-RING, 1AG65.0	1							
14	1	129612-55900	BRACKET, FILTER	1							
15	1	26106-080182	BOLT, M8X 18 PLATED	2							
16	1	26014-080702	BOLT, M8X 70	1							
17	1	103854-39140	BOLT, PIPE JOINT	1							
18	1	101304-59020	JOINT, PIPE 12	1							
19	1	22190-120002	WASHER, SEAL 12	2							
20	1	129210-59030	PIPE ASSY, FUEL	1							
22	2	124766-59050	CLIP, HOSE 12	2							
23	1	22190-120002	WASHER, SEAL 12	2							
24	1	124066-59100	CLIP, HOSE 8	7							
25	1	129210-59140	PIPE ASSY, FUEL	1							
27	2	124766-59050	CLIP, HOSE 12	2							
28	1	121250-59550	PIPE, FUEL D8X120	3							
29	1	119840-59500	PIPE ASSY, RETURN	1							
31	2	124066-59100	CLIP, HOSE 8	2							
32	1	119840-59570	JOINT	1							
33	1	129150-59580	CAP	1							
34	1	129100-59951	VALVE ASSY, CHECK	1							
34-1	1	119813-59950	VALVE ASSY, CHECK	1							N
			(A)=E/#83642								

Fig.14. GOVERNOR



(A)=4TNE88-EBVC

(B)=

(C)=

(D)=

(E)=

(F)=

No.	Lev.	Parts No.	Description	Qty						I	R
				(A)	(B)	(C)	(D)	(E)	(F)		
1	2	129155-51280	O-RING, S6	1							
2	2	129052-61010	CASE, GOVERNOR	1							
3	2	129052-61050	GASKET	1							
3-1	2	129052-61051	GASKET	1							N
		(A=E/#83642)									
4	2	129052-61060	COVER, GOVERNOR CASE	1							
5	2	129052-61070	GASKET	1							
5-1	2	129052-61071	GASKET	1							N
		(A=E/#83642)									
6	2	129155-61120	LINK, L=30 MARK 0	1							1
7	2	129155-61130	LINK, L=31 MARK 1	1							1
8	2	129155-61140	LINK, L=30.5 MARK 05	1							1
9	2	129486-61201	WEIGHT ASSY, GOVERNOR	1							
13	2	129155-61341	SLEEVE	1							2
14	2	129155-61350	SLEEVE, L=24.9	1							2
15	2	129155-61360	SLEEVE, L=25.2	1							2
16	2	129100-61400	SHAFT ASSY	1							
19	2	129155-61430	SPACER	1							
20	2	129155-61450	BOLT, LIMITER	1							
21	2	129155-61460	BOLT, IDLE	1							
22	2	129155-61480	SPACER ASSY	2							
23	2	129052-61390	SHAFT	1							
24	2	119908-61501	LEVER ASSY, GOVERNOR	1							
25	3	174307-51700	SHIM SET	2							
29	4	119600-61540	SHIFTER	1							
30	4	22272-000040	RING, E- 4	1							
33	3	129486-61540	SPRING, SET	1							
41	2	129155-61830	O-RING, S10	1							
42	2	119660-61901	RETAINER, SHAFT	1							
43	2	129155-61950	BOLT	1							
44	2	124550-66370	NUT, M6	1							
44-1	2	129209-61370	NUT, M6	1							S
		(A=E/#69519)									
45	2	22117-040000	WASHER, 4	1							
46	2	22190-060003	SEAL WASER 6	1							
47	2	22190-100002	WASHER, SEAL 10	1							
48	2	22190-120002	WASHER, SEAL 12	2							
49	2	22287-120000	WASHER, 12	1							
50	2	22372-040000	PIN, SNAP 4	2							
51	2	23887-100002	PLUG, 10	1							
52	2	24341-000280	O-RING, 1AS28.0	1							
53	2	26106-060102	BOLT, M6X 10 PLATED	1							
54	2	26106-060102	BOLT, M6X 10 PLATED	1							
55	2	26106-060102	BOLT, M6X 10 PLATED	4							
56	2	26106-060142	BOLT, M6X 14 PLATED	2							
57	2	26106-060202	BOLT, M6X 20 PLATED	6							
58	2	26756-060002	NUT, LOCK M6	1							
59	2	26776-120002	NUT, LOCK M12	1							
59-1	2	26736-120002	NUT, M12	1							S
		(A=E/#67193)									
59A	2	26776-120002	NUT, LOCK M12	1							

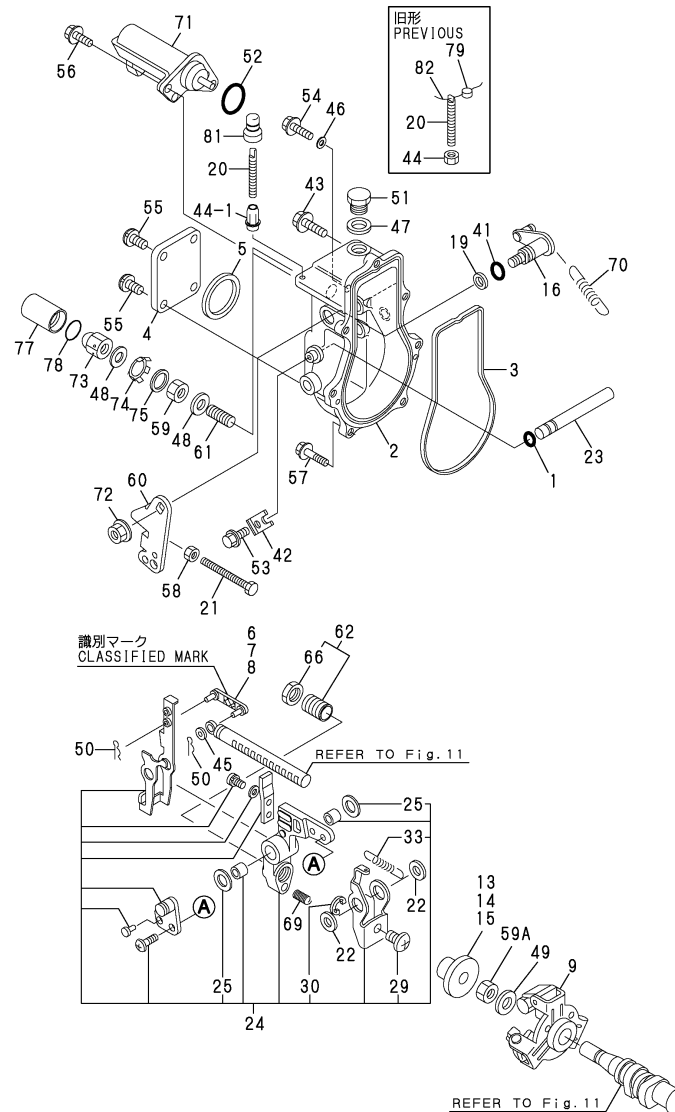
Remarks

- (1)SELECTION USE PARTS:CERTAIN THE CLASSIFICATION MARK, THEN PLACE YOUR ORDER.(REFER TO ILLUSTRATION)
- (2)SELECTION USE PARTS.
- (3)REPAIR PART.

Fig.14. GOVERNOR

(A)=4TNE88-EBVC  
(B)=  
(C)=

(D)=  
(E)=  
(F)=



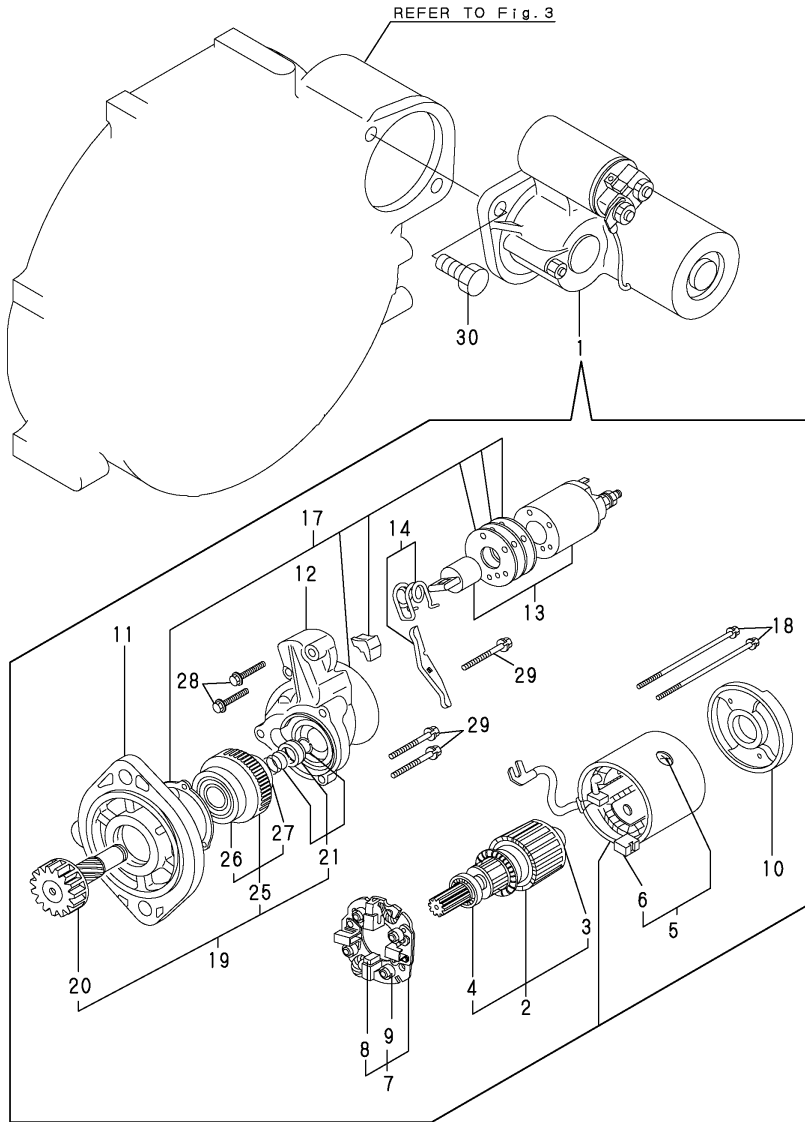
No.	Lev.	Parts No.	Description	Qty						I	R
				(A)	(B)	(C)	(D)	(E)	(F)		
60	1	129100-61440	LEVER, CONTROL	1							
61	1	120323-61470	BOLT, CONTROL	1							
62	1	129132-61550	ANGLEICH ASSY	1							
66	2	129155-61590	NUT, LOCK	1							
69	2	129100-61650	SPRING, CONTROLLER	1							
70	2	129489-61700	SPRING, GOVERNOR	1							
71	2	119233-77931	SOLENOID, STOP	1							
71-1	2	119233-77932	SOLENOID, STOP	1							N
(A=E/#66181)											
72	2	26366-080002	NUT, M8	1							
72-1	2	26306-080002	NUT, M8	1							N
(A=E/#59887)											
72-2	2	26366-080002	NUT, M8	1							N
(A=E/XXX)											
73	2	129100-61930	NUT, CAP	1							
73-1	2	129209-61930	NUT, CAP	1							R
(A=E/#69519)											
74	2	129209-61970	PLATE	1							W
(A=E/#69519)											
75	2	23414-120016	GASKET, 12X1.0	1							W
(A=E/#69519)											
77	1	129209-61960	CASE	1							W 3
(A=FROM 1ST)											
78	1	24311-000150	O-RING, 1AP15.0	1							W
(A=E/#69519)											
79	1	135210-61090	LEAD	1							Z
(A=E/#69519)											
81	1	119285-66650	CAP, HIGH-IDLE	1							W 3
(A=E/XXX)											
82	1	22451-060000	WIRE, 0.6	1							Z
(A=E/#69519)											

Remarks  
 (1)SELECTION USE PARTS:CERTAIN THE CLASSIFICATION MARK, THEN PLACE YOUR ORDER.(REFER TO ILLUSTRATION)  
 (2)SELECTION USE PARTS.  
 (3)REPAIR PART.

Fig.15. STARTING MOTOR

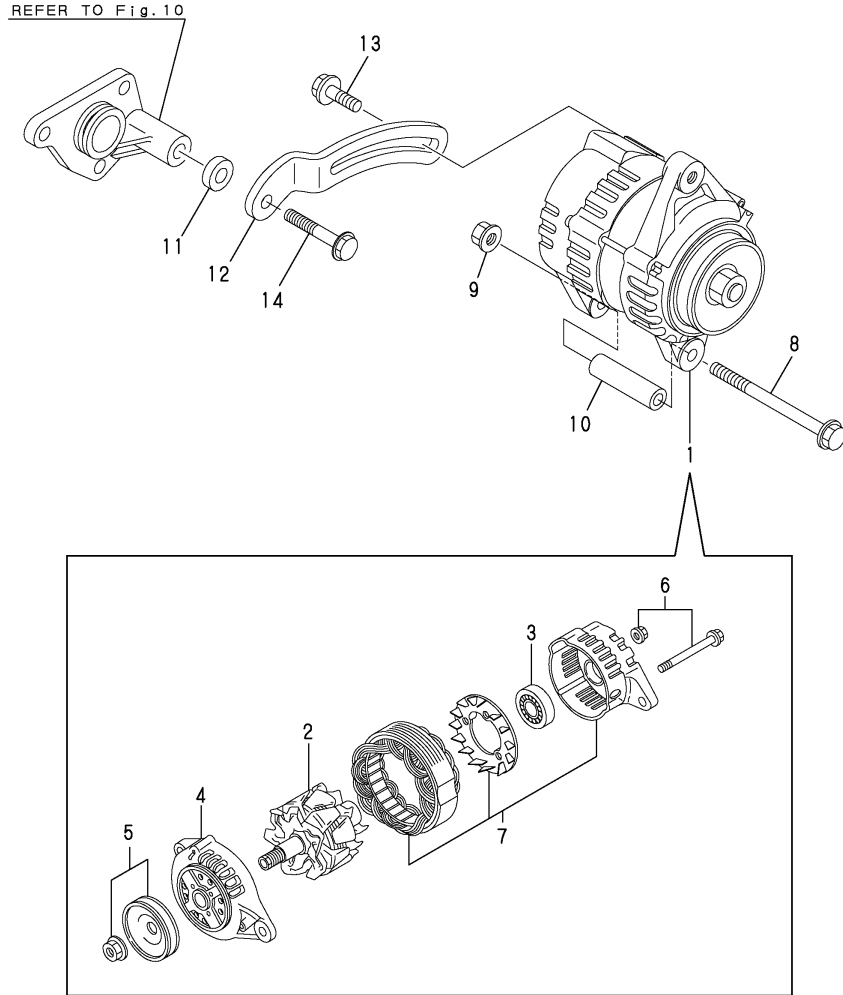
(A)=4TNE88-EBVC  
(B)=  
(C)=

(D)=  
(E)=  
(F)=



No.	Lev.	Parts No.	Description	Q'ty						I	R
				(A)	(B)	(C)	(D)	(E)	(F)		
1	1	129400-77012	STARTER	1							
2	2	129486-77400	ARMATURE	1							
3	3	171008-77410	BEARING	1							
4	3	171008-77420	BEARING	1							
5	2	129400-77441	COIL ASSY, FIELD	1							
6	3	129486-77460	BRUSH	2							
7	2	129486-77470	HOLDER ASSY, BRUSH	1							
8	3	129486-77460	BRUSH	2							
9	3	129486-77490	SPRING	4							
10	2	129900-77460	COVER	1							
11	2	171008-77510	CASE, GEAR	1							
12	2	129400-77520	HOUSING	1							
13	2	129400-77531	SWITCH ASSY	1							
14	2	171008-77540	LEVER SET	1							
17	2	129400-77571	COVER ASSY, DUST	1							
18	2	129900-77640	BOLT, THROUGH	2							
19	2	171008-77650	PINION ASSY	1							
20	3	171008-77660	SHAFT	1							
21	3	171008-77670	STOPPER SET	1							
25	3	X2114555500	CLUTCH ASSY	1							
26	4	X2114955020	BEARING, BALL	1							
27	4	X2240410100	BEARING, BALL	1							
28	2	26106-060322	BOLT, M6X 32 PLATED	2							
29	2	26106-060402	BOLT, M6X 40 PLATED	3							
30	1	26116-120252	BOLT, M12X 25 PLATED	2							

Fig.16. GENERATOR



(A)=4TNE88-EBVC  
(B)=  
(C)=

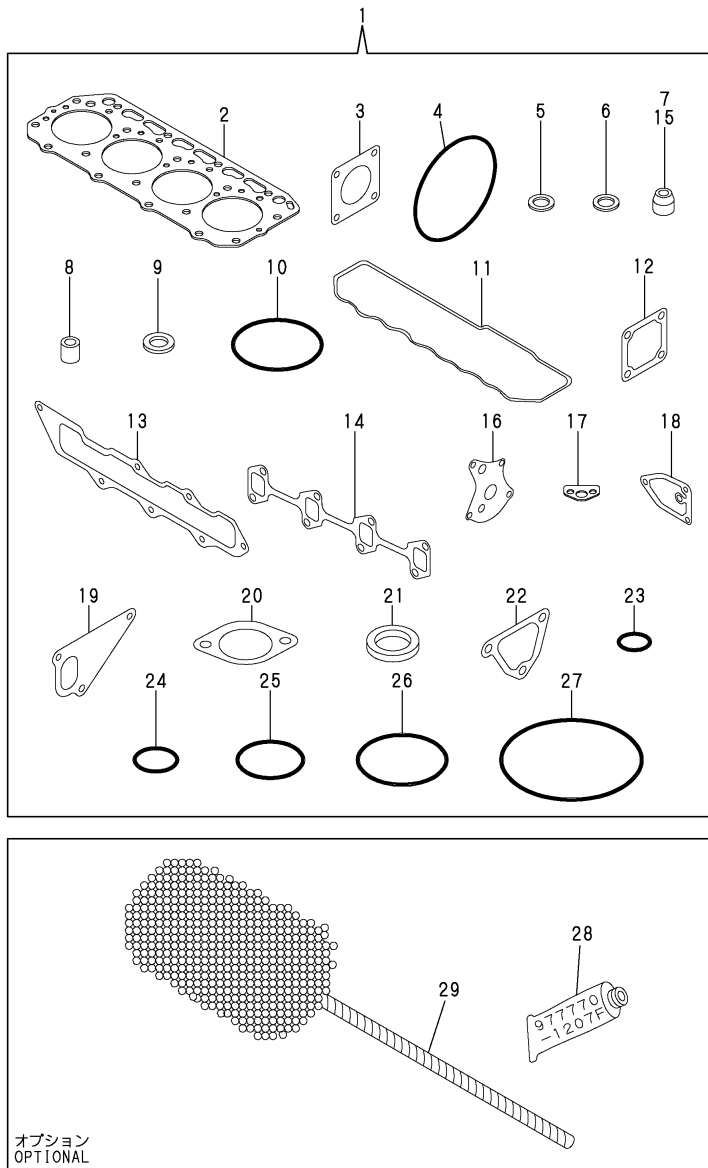
(D)=  
(E)=  
(F)=

No.	Lev.	Parts No.	Description	Q'ty						I	R
				(A)	(B)	(C)	(D)	(E)	(F)		
1	1	119836-77201	GENERATOR	1							
2	2	129612-77700	ROTOR ASSY	1							
3	2	129612-77710	BEARING, BALL	1							
4	2	129612-77730	BRACKET ASSY, FILTER	1							
5	2	129612-77740	PULLEY	1							
6	2	129612-77750	SCREW KIT	1							
7	2	119836-77920	BRACKET ASSY	1							
8	1	129136-77251	BOLT, M8X110	1							
9	1	129612-77260	NUT, ALTERNATOR	1							
10	1	119820-77340	PIECE, DISTANCE	1							
11	1	106500-44810	SPACER	1							
12	1	129211-77330	ADJUSTER	1							
13	1	119810-77340	BOLT, ADJUSTER	1							
14	1	26106-080502	BOLT, M8X 50 PLATED	1							

Fig.17. GASKET SET & TOOLS

(A)=4TNE88-EBVC  
(B)=  
(C)=

(D)=  
(E)=  
(F)=



No.	Lev.	Parts No.	Description	Q'ty						I	R
				(A)	(B)	(C)	(D)	(E)	(F)		
1	1	729612-92760	GASKET SET	1							1
2	2	129407-01340	GASKET, HEAD	1							
3	2	124240-01883	GASKET	1							
4	2	121850-51960	O-RING	1							
5	2	124465-44950	GASKET, 16	1							
6	2	129150-49360	GASKET	1							
7	2	124460-11340	SEAL, VALVE STEM	4							
8	2	119625-11870	PROTECTOR, NOZZLE	4							
8-1	2	119625-11872	PROTECTOR, NOZZLE	4							R
(A=E/#71195)											
8-2	2	119625-11870	PROTECTOR, NOZZLE	4							N
(A=E/#74708)											
9	2	119625-11880	SEAT, NOZZLE	4							
10	2	24311-000320	O-RING, 1AP32.0	1							
11	2	129550-11310	GASKET, BONNET	1							
12	2	129150-77511	GASKET	2							
13	2	129407-12110	GASKET, MANIFOLD	1							
14	2	129550-13110	GASKET	1							
15	2	121400-11340	SEAL, VALVE STEM	4							
16	2	129150-32020	GASKET, PUMP	1							
17	2	129150-35041	GASKET	1							
17-1	2	129150-35042	GASKET	1							R
(A=E/#83642)											
18	2	129150-35111	GASKET	1							
19	2	129407-42020	GASKET, WATER PUMP	1							
20	2	129795-49551	GASKET	1							
21	2	129150-49811	GASKET, THERMOSTAT	1							
22	2	129407-49840	GASKET	1							
23	2	24311-000120	O-RING, 1AP12.0	3							
24	2	24311-000160	O-RING, 1AP16.0	1							
25	2	24341-000240	O-RING, 1AS24.0	1							
26	2	24311-000320	O-RING, 1AP32.0	1							
27	2	24341-000500	O-RING, 1AS50.0	1							
28	1	977770-1207F	GASKET, LIQUID	1							1
29	1	129400-92430	HONE	1							1

Remarks  
(1)OPTIONAL

## Parts No. Index

Parts No.	Fig. No.	Ref. No.
101304-59020	13	18
103854-39140	13	17
104200-55321	13	2
104200-55330	13	3
104200-55750	13	10
106500-44810	16	11
114250-39450	9	20
114250-53080	12	5
114250-53120	12	9
114250-53130	12	10
114250-53140	12	11
114250-53210	12	12
114250-53400	12	13
119131-18320	6	5
119233-77931	14	71
119233-77932	14	71 -1
119260-07900	4	35
119285-66650	14	81
119305-59120	12	25
119600-61540	14	29
119609-32040	2	14 -1
119620-01750	3	3
119625-11870	4	15
	17	8 -2
		8 -2
119625-11872	4	15 -1
	17	8 -1
119625-11880	4	16
	17	9
119625-11900	4	17
119626-07900	4	35 -1
119640-01640	3	7
119660-61901	14	42
119802-11280	4	31 -1
119810-77340	16	13
119813-59950	13	34 -1
119820-77340	16	10
119836-77201	16	1
119836-77920	16	7
119840-59500	13	29
119840-59570	13	32
119865-21600	8	14
119908-61501	14	24
120130-11860	4	3
120323-61470	14	61
121023-01550	2	24
121111-21501	8	11
121250-44901	10	20
121250-59550	13	28

Parts No.	Fig. No.	Ref. No.
121400-11340	4	12
	17	15
121450-01560	2	4
121520-34810	9	16
121550-23200	8	32
121850-21680	8	10
121850-51960	2	11
	17	4
122710-51090	11	6
123900-13610	6	6 -1
123900-13630	6	4 -1
124066-59100	13	24
		31
124101-49530	10	23
124101-49531	10	23 -1
124160-01751	2	6
	4	47
124160-01910	1	4
		5
124160-11360	4	49
124160-39140	9	33
124240-01871	2	10
124240-01883	2	7
	17	3
124460-11340	4	13
	17	7
124465-44950	10	21
	17	5
124550-51350	11	28
124550-51370	11	29
124550-59830	9	34
124550-66370	14	44
124736-07900	4	36
124766-59050	13	22
		27
124950-51190	11	13
129001-01250	1	8
129001-02930	1	21 A
129001-22081	8	15
129001-22500	8	17
129001-22901	8	23
129001-22950	8	25
129001-35300	9	25
129001-42003	10	1
129001-42040	10	29
129001-91841	2	22
129052-55620	13	1
129052-61010	14	2
129052-61050	14	3
129052-61051	14	3 -1

Parts No.	Fig. No.	Ref. No.
129052-61060	14	4
129052-61070	14	5
129052-61071	14	5 -1
129052-61390	14	23
129100-01580	3	1
		13
	8	4
129100-01640	3	14
129100-11100	4	7
129100-11110	4	8
129100-11111	4	8 -1
129100-11650	4	27
129100-23910	8	35
129100-25061	7	8
129100-51570	11	46
129100-52200	11	94
129100-55650	13	4
129100-55670	13	6
129100-55680	13	7
129100-55690	13	8
129100-55700	13	9
129100-59951	13	34
129100-61400	14	16
129100-61440	14	60
129100-61650	14	69
129100-61930	14	73
129100-77500	5	7
129100-77510	5	8
129102-53000	12	2
129132-61550	14	62
129136-77251	16	8
129150-01200	1	22
129150-01650	3	15
129150-02020	1	11
129150-02450	7	5
129150-02870	1	24
129150-02930	1	19
129150-02940	1	27
129150-03020	4	45
129150-03070	4	40
129150-03080	4	41
129150-03100	2	9
129150-11230	4	30
129150-11280	4	26
129150-11370	4	14
129150-11750	4	29
129150-11810	4	4
129150-14101	7	3
129150-14200	7	7
129150-14400	7	6

Parts No.	Fig. No.	Ref. No.
129150-23600	8	33
129150-23610	8	36
129150-25101	7	9
129150-25301	11	97
129150-25920	7	11 A
129150-25931	11	96
129150-32020	9	14
	17	16
129150-35041	9	18
	17	17
129150-35042	9	18 -1
	17	17 -1
129150-35101	9	22
129150-35111	9	23
	17	18
129150-35170	9	24
129150-35350	9	26
129150-49360	10	22
	17	6
129150-49811	10	26
	17	21
129150-59131	12	28
129150-59580	13	33
129150-77511	5	9
	17	12
129155-11260	4	24
129155-11270	4	25
129155-42350	10	16
129155-49800	10	25
129155-49801	10	25 -1
129155-51020	11	84
129155-51050	11	4
129155-51051	11	4 -1
129155-51140	11	10
129155-51180	11	12
129155-51200	11	14
129155-51270	11	21
129155-51280	11	22
	14	1
129155-51320	11	26
129155-51340	11	27
129155-51370	11	30
129155-51380	11	31
129155-51390	11	32
129155-51410	11	34
129155-51420	11	87
129155-51450	11	35
129155-51521	11	42
129155-51530	11	43
129155-51540	11	44



## Parts No. Index

Parts No.	Fig. No.	Ref. No.
129155-51550	11	45
129155-51570	11	48
129155-51580	11	49
129155-51591	11	50
129155-51600	11	51
129155-51790	11	74
129155-51930	11	76
129155-51940	11	77
129155-52050	11	95
129155-52051	11	95 -1
129155-61120	14	6
129155-61130	14	7
129155-61140	14	8
129155-61341	14	13
129155-61350	14	14
129155-61360	14	15
129155-61430	14	19
129155-61450	14	20
129155-61460	14	21
129155-61480	14	22
129155-61590	14	66
129155-61830	14	41
129155-61950	14	43
129156-51910	11	75
129170-12580	5	5
129202-22300	8	21
129208-51060	11	5
129208-54500	11	89
129209-61370	14	44 -1
129209-61930	14	73 -1
129209-61960	14	77
129209-61970	14	74
129210-59030	13	20
129210-59140	13	25
129211-35802	9	39
129211-77330	16	12
129400-01520	2	5
129400-01730	3	19
129400-11350	4	38
129400-13101	6	1
129400-77012	15	1
129400-77441	15	5
129400-77520	15	12
129400-77531	15	13
129400-77571	15	17
129400-92430	17	29
129407-01340	1	23
	17	2
129407-11700	4	1
129407-12100	5	1

Parts No.	Fig. No.	Ref. No.
129407-12110	5	2
	17	13
129407-21100	8	1
129407-32000	9	1
129407-42020	10	13
	17	19
129407-49840	10	27
	17	22
129423-59810	12	29
129423-59820	12	33
129423-59830	12	37
129423-59840	12	41
129430-34800	9	17
129436-01780	3	6
129436-35070	9	19 -1
129436-35091	9	19
129450-51300	11	23
129470-51040	11	3
129486-01670	3	17
129486-42140	10	30
129486-61201	14	9
129486-61540	14	33
129486-77400	15	2
129486-77460	15	6
		8
129486-77470	15	7
129486-77490	15	9
129489-21590	8	12
129489-61700	14	70
129500-11240	4	20
129506-51100	11	7
129550-11290	4	21
129550-11310	4	44
	17	11
129550-13110	6	2
	17	14
129550-39450	9	29
129555-51400	11	33
129555-51500	11	40
129555-51701	11	70
129555-51711	11	71
129555-51751	11	72
129555-51760	11	73
129555-51761	11	73 -1
129612-01600	3	2
129612-42300	10	15
129612-42330	10	15 -1
129612-55900	13	14
129612-77260	16	9
129612-77700	16	2

Parts No.	Fig. No.	Ref. No.
129612-77710	16	3
129612-77730	16	4
129612-77740	16	5
129612-77750	16	6
129795-01780	3	16
129795-01800	2	3
129795-01950	2	8
129795-02411	1	14
129795-11120	4	9
129795-11180	4	10
129795-21661	8	9
129795-49551	10	24
	17	20
129900-77460	15	10
129900-77640	15	18
135210-61090	14	79
171008-77410	15	3
171008-77420	15	4
171008-77510	15	11
171008-77540	15	14
171008-77650	15	19
171008-77660	15	20
171008-77670	15	21
171031-11741	2	27
171051-01921	1	6
171056-49120	10	18
171056-49351	10	19
171301-21650	8	8
171350-03090	4	48
171463-12581	5	6
174307-51170	11	11
174307-51560	11	47
174307-51700	14	25
22117-040000	14	45
22190-060003	14	46
22190-080002	2	12
		13
	9	36
		37
22190-100002	9	38
	14	47
22190-120002	13	19
		23
	14	48
22190-160002	11	88
22190-220002	3	9
22217-050000	11	83
22217-060000	11	78
22217-120000	11	91
22252-000260	8	22

Parts No.	Fig. No.	Ref. No.
22272-000040	14	30
22287-120000	14	49
22351-040010	8	7
22351-050010	11	79
22351-060012	4	19
22372-040000	14	50
22451-060000	14	82
22512-070140	7	4
23065-120300	9	40
23080-014000	9	41
23414-120016	14	75
23876-010000	1	7
23876-020000	10	11
23876-030000	1	15
	10	12
23887-100002	14	51
24101-063034	11	80
24311-000120	4	50
	17	23
24311-000150	14	78
24311-000160	2	14
	9	27
	13	11
	17	24
24311-000320	2	15
		28
	4	46
	17	10
		26
24311-240100	13	12
24321-000650	13	13
24341-000160	11	81
24341-000240	2	25
	17	25
24341-000280	14	52
24341-000500	4	42
	17	27
26014-060142	10	17
26014-080702	13	16
26022-050122	11	85
26022-060162	11	86
26106-060102	14	53
		54
		55
26106-060142	14	56
26106-060162	2	26
26106-060202	14	57
26106-060322	15	28
26106-060402	15	29
26106-080122	2	18

## Parts No. Index

Parts No.	Fig. No.	Ref. No.
26106-080142	4	37
26106-080162	2	16
		17
	3	12
	4	43
	7	13
	10	31
26106-080182	13	15
26106-080202	2	19
	5	3
26106-080222	9	28
26106-080252	3	10
	4	33
	10	28
26106-080352	3	18
	9	21
26106-080452	2	20
	3	11
		11 -1
	7	12
26106-080502	3	20
	4	34
	16	14
26106-080552	2	21
	9	21 -1
26106-080602	10	14
26106-080652	10	32
26106-080702	5	10
26106-080802	5	4
	6	4
26116-050302	11	82
26116-120252	15	30
26206-100252	3	4
26206-100302	3	5
26216-060202	4	6
26216-080702	5	11
26216-080802	6	6
26226-080182	4	31
26306-080002	2	23 -1
	5	12 -1
	6	3 -1
	14	72 -1
26366-060002	4	18
26366-080002	2	23
	5	12
	6	3
	14	72
		72 -2
26450-060252	9	15
26716-060002	11	41

Parts No.	Fig. No.	Ref. No.
26716-120002	11	92
26736-120002	14	59 -1
26756-060002	14	58
26756-080002	4	32
26776-120002	14	59
		59 A
27241-100000	4	23
27241-120000	1	9
27241-300000	1	10
27241-400000	4	5
27310-080001	4	11
719810-01500	2	1
729102-53100	12	1
729402-14580	7	1
729402-23100	8	29
729407-01561	1	1
729612-51470	11	1
729612-92760	17	1
977770-1207F	17	28
X2114555500	15	25
X2114955020	15	26
X2240410100	15	27

Parts No.	Fig. No.	Ref. No.
-----------	----------	----------

Parts No.	Fig. No.	Ref. No.
-----------	----------	----------