

0CB10-M65002EN

## Directions for the Parts Catalog.

1. This Parts Catalog shows both standard and optional parts.
2. Parts may change without prior notice.
3. The following is an example of the Parts Catalog format.

REF.	LEV.	PARTS NO.	DESCRIPTION	Q'TY						I	R
				(A)	(B)	(C)	(D)	(E)	(F)		
1	1	729595-51390	FUEL INJECTION PUMP	1	1	1	1	1			1
1-1	1	729595-51391	FUEL INJECTION PUMP	1	1	1	1	1		N	1
		(A=E00185) (B=E00200)									
3	2	26022-060162	SCREW M 6X 16	9	9	9	9	9			
3-1	2	26022-060162	SCREW M 6X 16	4	4	4	4	4		K	
		(A=E00156) (B=E00156) (C=E00156) (D=E00156) (E=E00156)									
4	2	129470-51040	CAMSHAFT	1	1	1	1	1			
5	2	122710-51050	BEARING, ROLLER	2	2	2	2	2			
6	2	129470-51060	RETAINER	1	1	1	1	1			

Remarks
(1) BOOST COMPEMSATOR TYPE. OPTIONAL PART, TO E00155,(4JH-DT, 4JH-DTZ

### ① Ref. No.

The Ref. No. listed may not be in accordance with the illustration Ref. No.

(Ex.) Illustration No.

List Ref No.

1

1

(Before change)

1-1

(After change)

For interchangeable symbols N, R and K, illustrations for new parts may be abbreviated.

### ② Lev. (Level)

Level indication

The numbers below indicate the level of relativity towards the main part.

1 ----- Main parts (Assembly parts)

2 ----- Sub component included in " 1 ".

3 ----- Sub component included in " 2 ".

Note) Parts that are not for sale are partially illustrated but not listed.

### ③ Interchangeability Symbol

When a part change takes place, one of the following interchangeability symbols is indicated beside the part.

Symbol	Interchangeability	Contents note
N	Old $\begin{matrix} \leftarrow \text{Yes} \\ \text{No} \rightarrow \end{matrix}$ New	New Part is interchangeable for Old Part but Old Part is not interchangeable for New Part.
Q	Old $\begin{matrix} \leftarrow \text{No} \\ \text{Yes} \rightarrow \end{matrix}$ New	New Part is not interchangeable for Old Part but Old Part is interchangeable for New Part.
R	Old $\begin{matrix} \leftarrow \text{Yes} \\ \text{Yes} \rightarrow \end{matrix}$ New	New/ Old Parts are both interchangeable.
S	Old $\begin{matrix} \leftarrow \text{No} \\ \text{No} \rightarrow \end{matrix}$ New	New/ Old Parts are both not interchangeable.
W		Part newly added.
Z		Part discontinued.
F		Not interchangeable by a single part but interchangeable together with related parts.
K		Changes only for used parts quantities.

### ④ Effective Machine No.

When a part changes, the effective Machine No. will be indicated in the (A)-(F) column.

Product Symbol	Product No.	Product Symbol	Product No.
C	Clutch No. Compressor No.	F	Machine No. (Agricultural Equip.)
D	Drive No.	M	Machine No.
E	Engine No.		

Note 1) A date may follow the symbol. (Ex.) 1996.01

Note 2) "XXXXX" and "ZZZZZ" are for parts that could not be predicted or for engine models that could not be identified.

Note 3) (A=E00185) is the E (Engine Serial Number) for the column (A) model (in this case 4JH-DT) after the parts design change.

### ⑤ Remarks

Figures or alphabets (symbols) are entered in the remarks column.

The comments (remarks) on parts that are indicated at the bottom of the illustration are the same symbols as those stated above.

# Contents

OCB10-M65002

Fig. No.    Fig. Name

## ENGINE 3TNE82A-EBVC

1. CYLINDER BLOCK
2. GEAR HOUSING
3. FLYWHEEL HOUSING & L.O.SUMP
4. CYLINDER HEAD & BONNET
5. SUCTION & EXHAUST MANIFOLD
6. CAMSHAFT & DRIVING GEAR
7. CRANKSHAFT & PISTON
8. LUB.OIL SYSTEM
9. COOLING WATER SYSTEM
10. FUEL INJECTION PUMP
11. GOVERNOR
12. FUEL INJECTION PIPE
13. FUEL PIPE
14. STARTING MOTOR
15. GENERATOR
16. GASKET SET & TOOLS

Fig. No.    Fig. Name

Fig.1. CYLINDER BLOCK

(A)=3TNE82A-EBVC

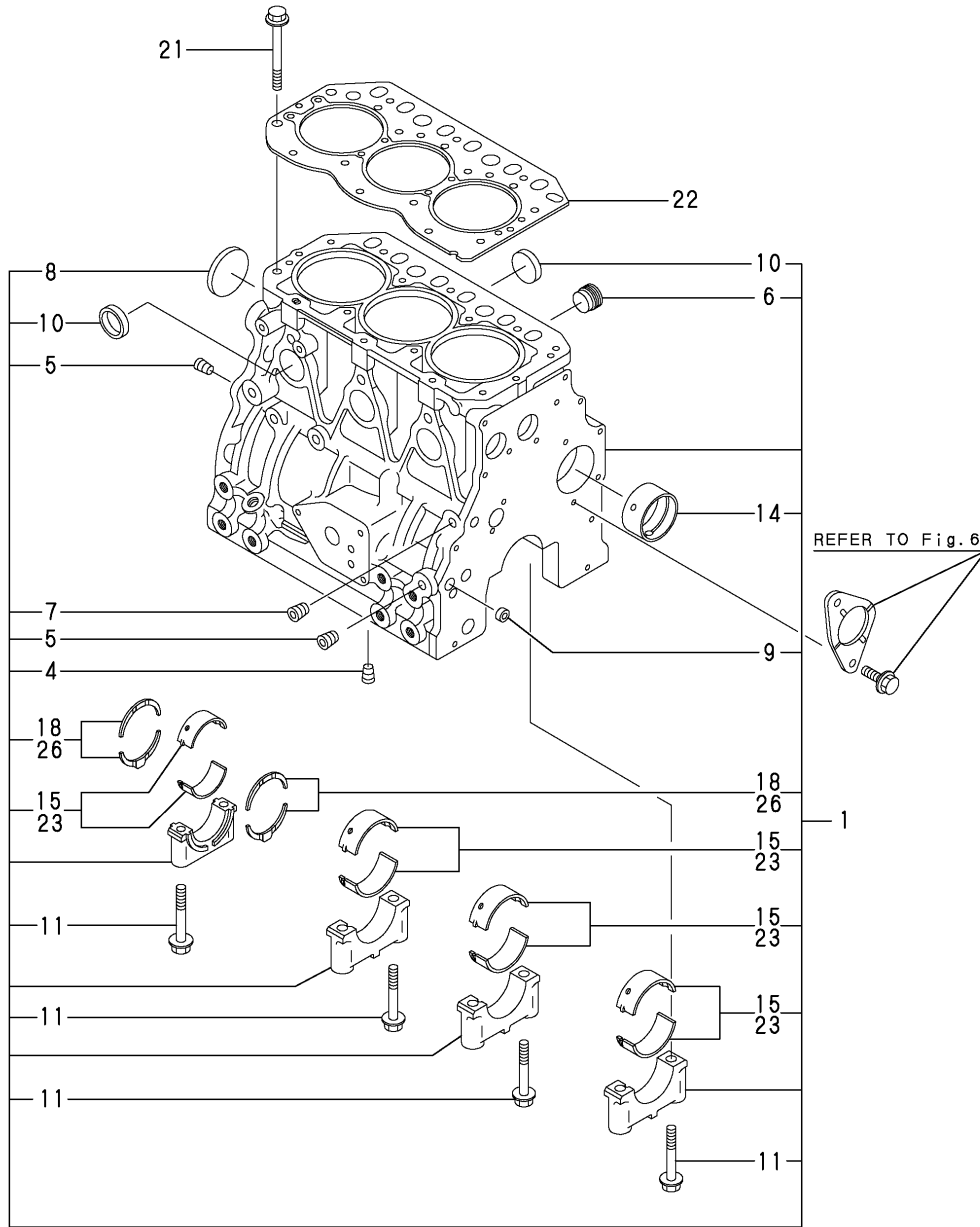
(B)=

(C)=

(D)=

(E)=

(F)=



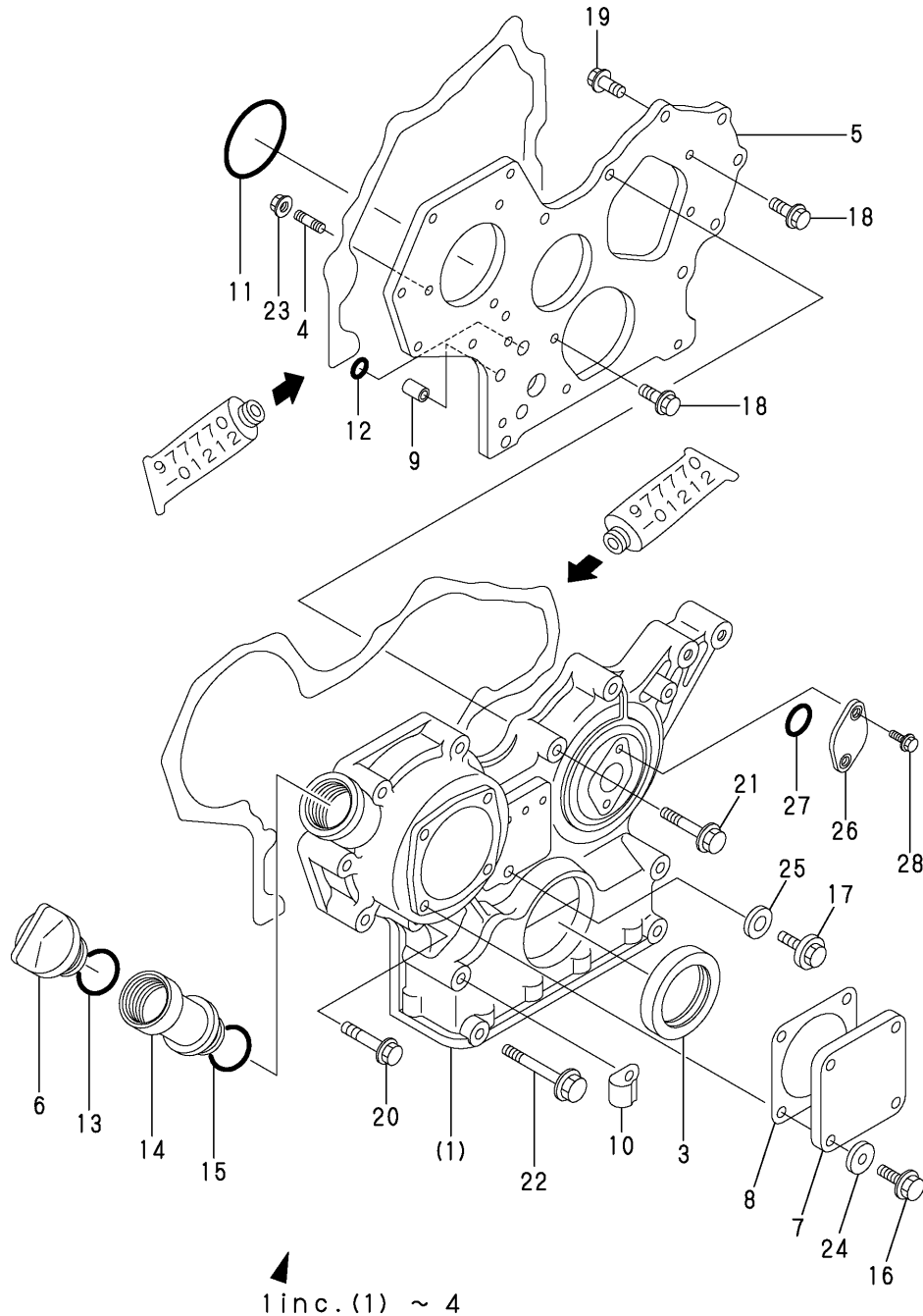
No.	Lev.	Parts No.	Description	Q'ty						I	R
				(A)	(B)	(C)	(D)	(E)	(F)		
1	1	719813-01560	BLOCK ASSY, CYLINDER	1							
4	3	124160-01910	PLUG, PT1/4	1							
5	3	124160-01910	PLUG, PT1/4	2							
6	3	171051-01921	PLUG, NPTF1	1							
7	3	23876-010000	PLUG, R01	1							
8	3	129001-01250	PLUG, 50	1							
9	3	27241-120000	PLUG, 12	2							
10	3	27241-300000	PLUG 30	6							
11	3	119620-02020	BOLT, METAL CAP	8							
14	3	129795-02411	BUSH, CAMSHAFT	1							
15	2	119810-02800	BEARING, MAIN	4							
18	2	119810-02930	BEARING, THRUST	1							
21	1	119810-01200	BOLT, HEAD	14							
22	1	119812-01330	GASKET, HEAD	1							
23	1	119810-02870	BEARING, 0.25 US	4							1
26	1	119810-02940	BEARING, THRUST 0.25	4							2

Remarks

(1)UNDER SIZED(U.S.=0.25)PART.

(2)OVER SIZED(O.S.=0.25)PART.

Fig.2. GEAR HOUSING

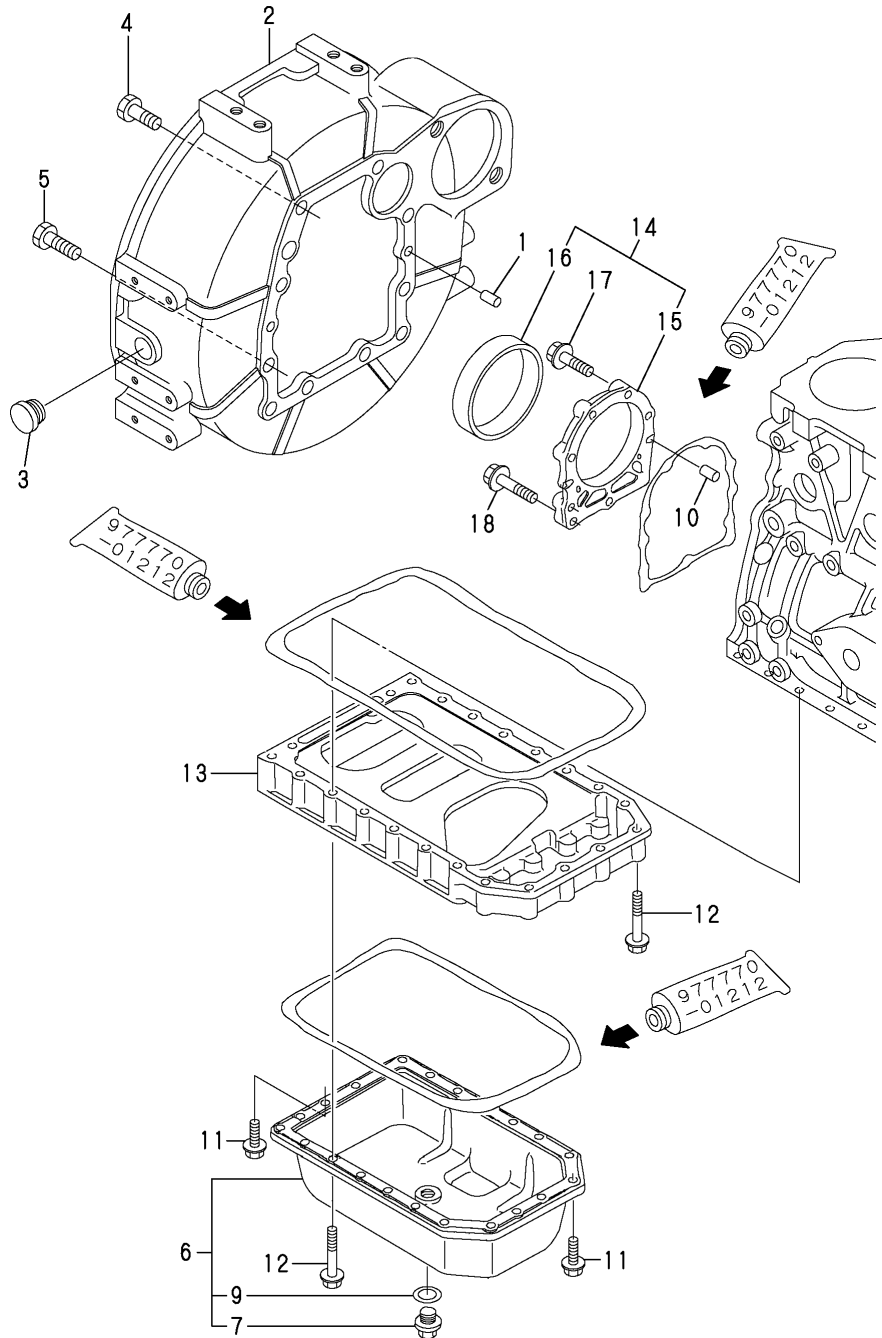


(A)=3TNE82A-EBVC  
(B)=  
(C)=

(D)=  
(E)=  
(F)=

No.	Lev.	Parts No.	Description	Q'ty						I	R
				(A)	(B)	(C)	(D)	(E)	(F)		
1	1	719810-01500	CASE ASSY, GEAR	1							
3	2	129795-01800	SEAL, OIL	1							
4	2	121450-01560	STUD, M8X22	3							
5	1	129400-01520	FLANGE, GEAR CASE	1							
6	1	124160-01751	COVER, FILLER	1							
7	1	124240-01871	COVER	1							
8	1	124240-01883	GASKET	1							
9	1	129795-01950	PIPE, KNOCK L=18	2							
10	1	129150-03100	RETAINER, PIPE	1							
11	1	121850-51960	O-RING	1							
12	1	24311-000160	O-RING, 1AP16.0	2							
12-1	1	119609-32040	O-RING, P16	2							R
(A=E/#71137)											
13	1	24311-000320	O-RING, 1AP32.0	1							
14	1	171031-11741	PIPE	1							
15	1	24311-000320	O-RING, 1AP32.0	1							
16	1	26106-080122	BOLT, M8X 12 PLATED	4							
17	1	26106-080162	BOLT, M8X 16 PLATED	1							
18	1	26106-080162	BOLT, M8X 16 PLATED	3							
19	1	26106-080202	BOLT, M8X 20 PLATED	2							
20	1	26106-080452	BOLT, M8X 45 PLATED	6							
21	1	26106-080552	BOLT, M8X 55 PLATED	3							
22	1	129001-91841	BOLT, M8X85	4							
23	1	26366-080002	NUT, M8	3							
23-1	1	26306-080002	NUT, M8	3							N
(A=E/#67837)											
24	1	22190-080002	WASHER, SEAL 6	4							
25	1	22190-080002	WASHER, SEAL 6	1							
26	1	121023-01550	COVER	1							
27	1	24341-000240	O-RING, 1AS24.0	1							
28	1	26106-060162	BOLT, M6X 16 PLATED	2							

Fig.3. FLYWHEEL HOUSING & L.O.SUMP



(A)=3TNE82A-EBVC  
(B)=  
(C)=

(D)=  
(E)=  
(F)=

No.	Lev.	Parts No.	Description	Q'ty						I	R
				(A)	(B)	(C)	(D)	(E)	(F)		
1	1	129100-01580	PIN, M8X16	2							
2	1	129612-01600	HOUSING, FLYWHEEL	1							
3	1	119620-01750	CAP	1							
4	1	26206-100252	BOLT, M10X 25 PLATED	6							
5	1	26206-100302	BOLT, M10X 30 PLATED	4							
6	1	119810-01790	SUMP ASSY, OIL	1							
7	2	119640-01640	PLUG, DRAIN M22	1							
9	2	22190-220002	WASHER, SEAL 22	1							
10	1	129100-01580	PIN, M8X16	2							
11	1	26106-080162	BOLT, M8X 16 PLATED	6							
12	1	26106-080452	BOLT, M8X 45 PLATED	22							
13	1	119810-01730	SPACER, OIL SUMP	1							
14	1	719810-01650	CASE ASSY, OIL SEAL	1							
15	2	119860-01650	CASE, OIL SEAL	1							
16	2	119810-01780	SEAL, 769310	1							
17	1	129486-01670	BOLT, M8X30	6							
18	1	26106-080352	BOLT, M8X 35 PLATED	3							

Fig.4. CYLINDER HEAD & BONNET

(A)=3TNE82A-EBVC

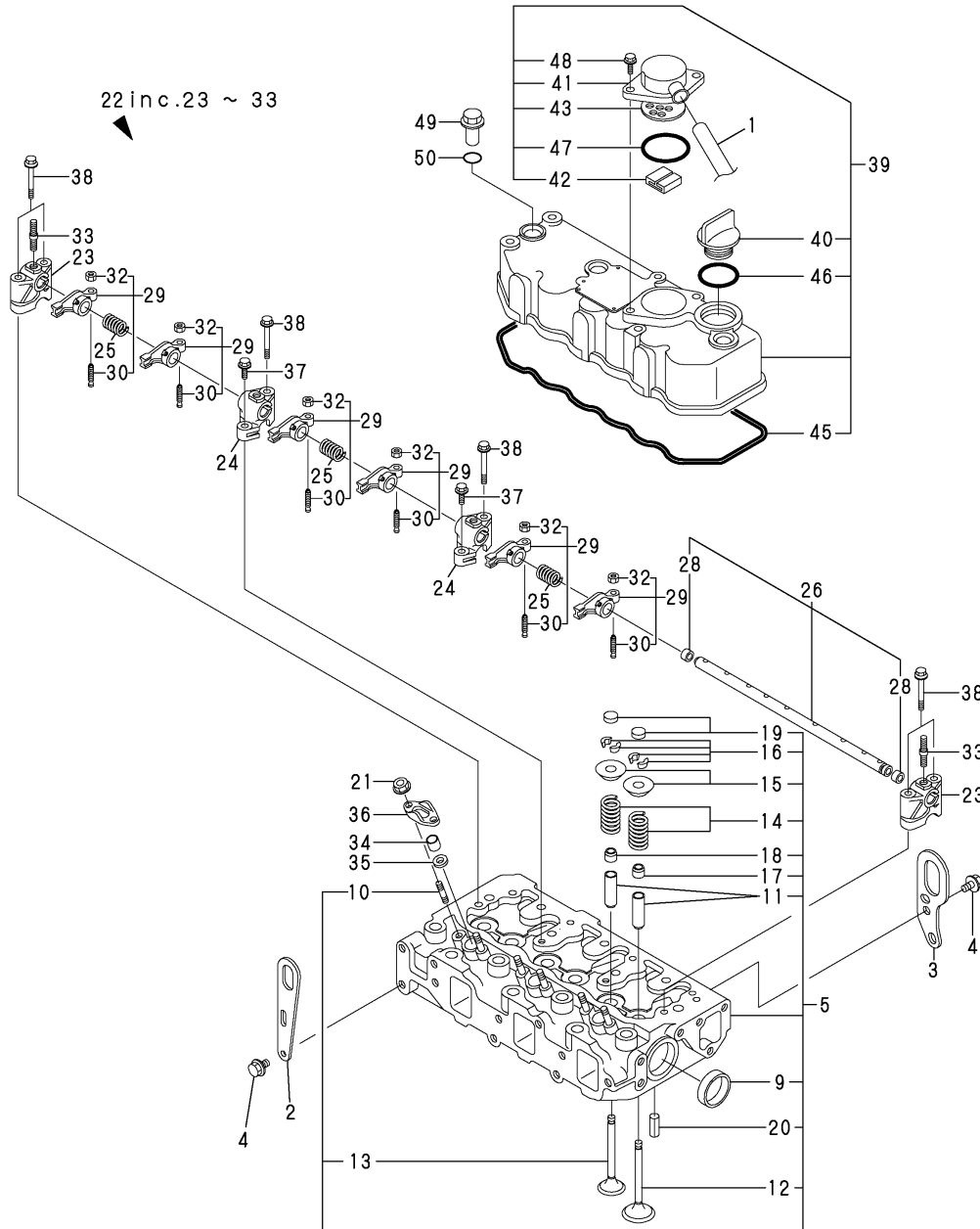
(B)=

(C)=

(D)=

(E)=

(F)=



No.	Lev.	Parts No.	Description	Q'ty						I	R
				(A)	(B)	(C)	(D)	(E)	(F)		
1	1	23065-160800	PIPE, 16X 800	1							
2	1	124736-07900	LIFTER	1							
3	1	119260-07900	LIFTER	1							
4	1	26106-080142	BOLT, M8X 14 PLATED	4							
5	1	719812-11700	HEAD ASSY, CYLINDER	1							
9	3	27241-400000	PLUG, 40	2							
10	3	26216-060302	STUD, M6X 30	6							
11	2	124060-11800	GUIDE, VALVE	6							1
12	2	119810-11100	VALVE, INTAKE	3							
13	2	119810-11110	VALVE, EXHAUST	3							
14	2	119810-11120	SPRING, VALVE	6							
15	2	104211-11180	RETAINER, SPRING	6							
16	2	27310-070001	COTTER, 7	6							
17	2	124160-11340	SEAL, VALVE STEM	3							
18	2	124950-11340	SEAL, VALVE STEM	3							
19	2	104211-11370	CAP, VALVE	6							
20	2	22351-060012	PIN, SPRING 6.0X12	2							
21	1	26366-060002	NUT, M6	6							
22	1	119865-11210	SUPPORT ASSY	1							
23	2	129155-11260	SUPPORT, ROCKER ARM	2							
24	2	129155-11270	SUPPORT, ROCKER ARM	2							
25	2	129150-11280	SPRING	3							
26	2	119810-11240	SHAFT ASSY, ROCKER	1							
28	3	27241-100000	PLUG, 10	2							
29	2	719810-11660	ARM ASSY, ROCKER	6							
30	3	129150-11230	SCREW, VALVE ADJUST	6							
32	3	129150-11750	NUT, M8	6							
33	2	26226-080182	STUD, M8X 18	3							
33-1	2	119802-11280	STUD	3							R
(A=E/#71560)											
34	1	119625-11870	PROTECTOR, NOZZLE	3							
34-1	1	119625-11872	PROTECTOR, NOZZLE	3							R
(A=E/#72461)											
34-2	1	119625-11870	PROTECTOR, NOZZLE	3							N
(A=E/#75171)											
35	1	119625-11880	SEAT, NOZZLE	3							
36	1	119625-11900	RETAINER, NOZZLE	3							
37	1	26106-080252	BOLT, M8X 25 PLATED	2							
38	1	26106-080502	BOLT, M8X 50 PLATED	6							
39	1	719810-11521	BONNET ASSY, HEAD	1							
40	2	124160-01751	COVER, FILLER	1							
41	2	129150-03020	COVER, BREATHER	1							
42	2	129150-03070	BAFFLE, BREATHER	1							
43	2	129150-03080	PLATE, BAFFLE	1							
45	2	119865-11310	GASKET, BONNET	1							
46	2	24311-000320	O-RING, 1AP32.0	1							
47	2	24341-000500	O-RING, 1AS50.0	1							
48	2	26106-080162	BOLT, M8X 16 PLATED	2							
49	1	124160-11360	KNOB	3							
50	1	24311-000120	O-RING, 1AP12.0	3							

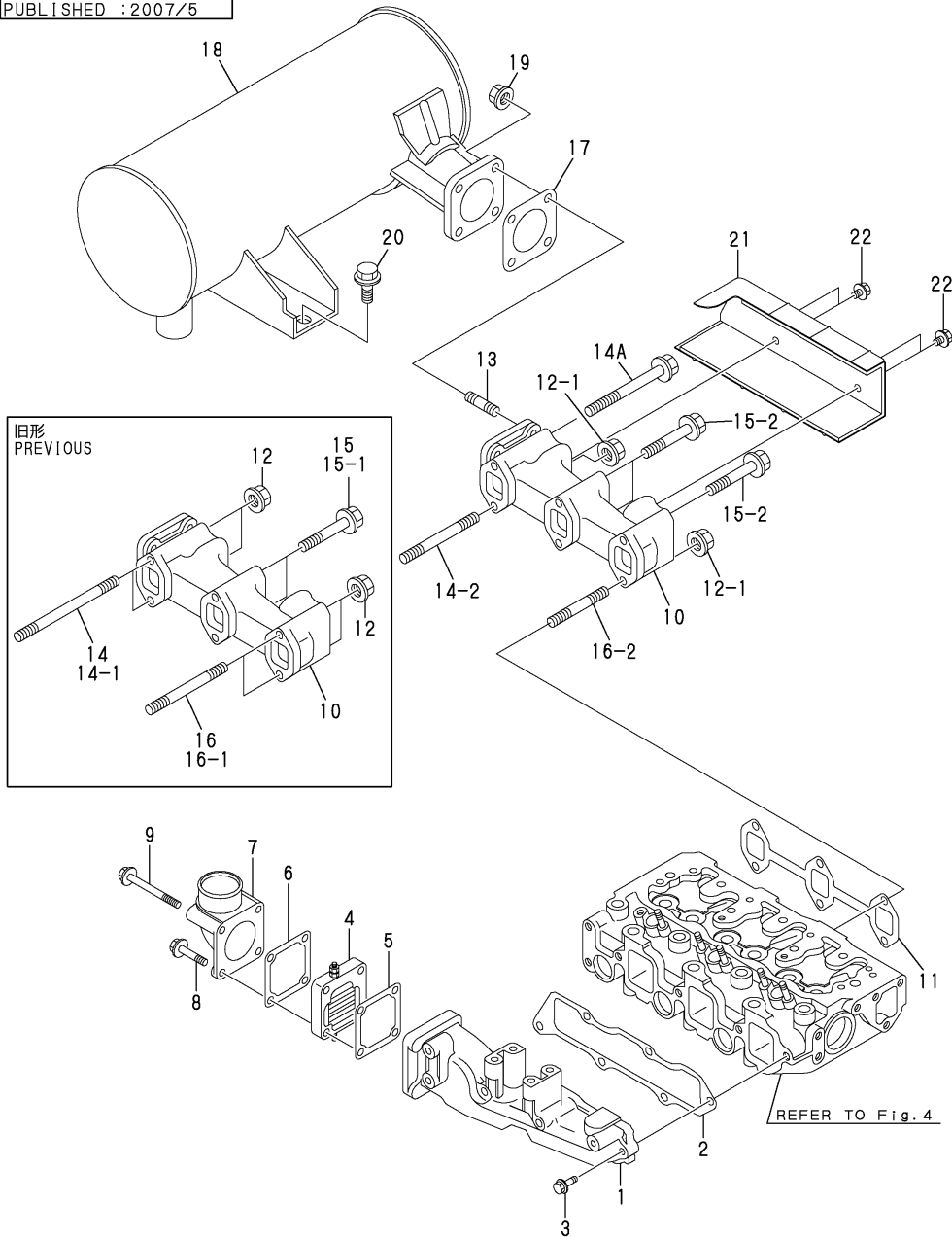
Remarks

(1)REPAIR PART.

N:Old  $\xrightarrow{\text{Yes}}$  New, Q:Old  $\xrightarrow{\text{No}}$  New, R:Old  $\xrightarrow{\text{Yes}}$  New, S:Old  $\xrightarrow{\text{No}}$  New, W:Add, Z:Discontinued, F:Interchangeable by set, K:Q'ty Change

Fig.5. SUCTION & EXHAUST MANIFOLD

P/C NEWS No. : Y00S4122-1  
PUBLISHED : 2007/5



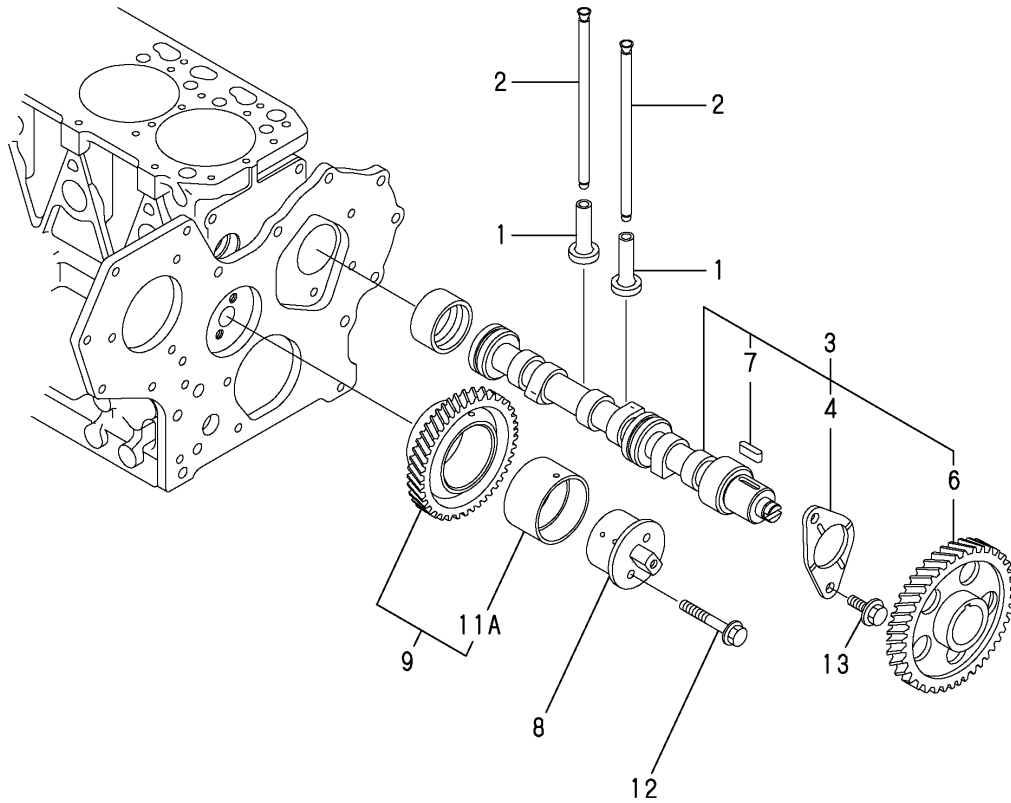
(A)=3TNE82A-EBVC  
(B)=  
(C)=

(D)=  
(E)=  
(F)=

No.	Lev.	Parts No.	Description	Qty						I	R
				(A)	(B)	(C)	(D)	(E)	(F)		
1	1	119813-12100	MANIFOLD, AIR INTAKE	1							
2	1	119813-12110	GASKET, MANIFOLD	1							
3	1	26106-080252	BOLT, M8X 25 PLATED	6							
4	1	129100-77500	HEATER, AIR 12V	1							
5	1	129150-77511	GASKET	1							
6	1	129100-77510	GASKET	1							
7	1	171340-77520	BEND	1							
8	1	26106-080402	BOLT, M8X 40 PLATED	2							
9	1	26106-080802	BOLT, M8X 80 PLATED	2							
10	1	119813-13120	MANIFOLD, EXHAUST	1							
11	1	119810-13110	GASKET	1							
12	1	26366-080002	NUT, M8	4							
12-1	1	26306-080002	NUT, M8	2							N
(A=E/#67837)											
13	1	119131-18320	STUD, M8X22	4							
14	1	26216-080802	STUD, M8X 80	2							
14-1	1	123900-13610	STUD, M8X80	2							N
(A=E/#75171)											
14-2	1	123900-13610	STUD, M8X80	1							K
(A=E/XXX)											
14A	1	123900-13630	BOLT, M8X80	1							W
(A=E/XXX)											
15	1	26106-080602	BOLT, M8X 60 PLATED	2							
15-1	1	119802-13640	BOLT, M8X60 10.9T	2							N
(A=E/#75171)											
15-2	1	119802-13640	BOLT, M8X60 10.9T	3							K
(A=E/XXX)											
16	1	26216-080602	STUD, M8X 60	2							
16-1	1	119802-13740	STUD, M8X60	2							N
(A=E/#75171)											
16-2	1	119802-13740	STUD, M8X60	1							K
(A=E/XXX)											
17	1	124701-11911	GASKET, SILENCER	1							
18	1	119813-13550	SILENCER	1							
18-1	1	119813-13551	SILENCER	1							N
(A=E/#87759)											
18-2	1	119813-13552	SILENCER	1							N
(A=E/#87759)											
19	1	26366-080002	NUT, M8	4							
19-1	1	26306-080002	NUT, M8	4							N
(A=E/#67837)											
20	1	26106-100182	BOLT, M10X 18 PLATED	2							
21	1	119813-13510	COVER, SILENCER	1							
22	1	26106-080102	BOLT, M8X 10 PLATED	4							



Fig.6. CAMSHAFT & DRIVING GEAR



(A)=3TNE82A-EBVC  
(B)=  
(C)=

(D)=  
(E)=  
(F)=

No.	Lev.	Parts No.	Description	Q'ty						I	R
				(A)	(B)	(C)	(D)	(E)	(F)		
1	1	129150-14200	TAPPET	6							
2	1	119810-14400	ROD, PUSH	6							
3	1	119810-14580	CAMSHAFT ASSY	1							
4	2	129150-02450	BEARING, THRUST	1							
6	2	129150-14101	GEAR, CAMSHAFT	1							
7	2	22512-070140	KEY, 7X 14	1							
8	1	129100-25061	SHAFT, IDLE	1							
9	1	129150-25101	GEAR ASSY, IDLE	1							
11A	2	129150-25920	BUSH, IDLE GEAR	1							1
12	1	26106-080452	BOLT, M8X 45 PLATED	2							
13	1	26106-080142	BOLT, M8X 14 PLATED	2							

Remarks

(1)REPAIR PART.

N:Old  $\xrightarrow{\text{Yes}}$  New, Q:Old  $\xrightarrow{\text{No}}$  New, R:Old  $\xrightarrow{\text{Yes}}$  New, S:Old  $\xrightarrow{\text{No}}$  New, W:Add, Z:Discontinued, F:Interchangeable by set, K:Q'ty Change

Fig.7. CRANKSHAFT & PISTON

(A)=3TNE82A-EBVC

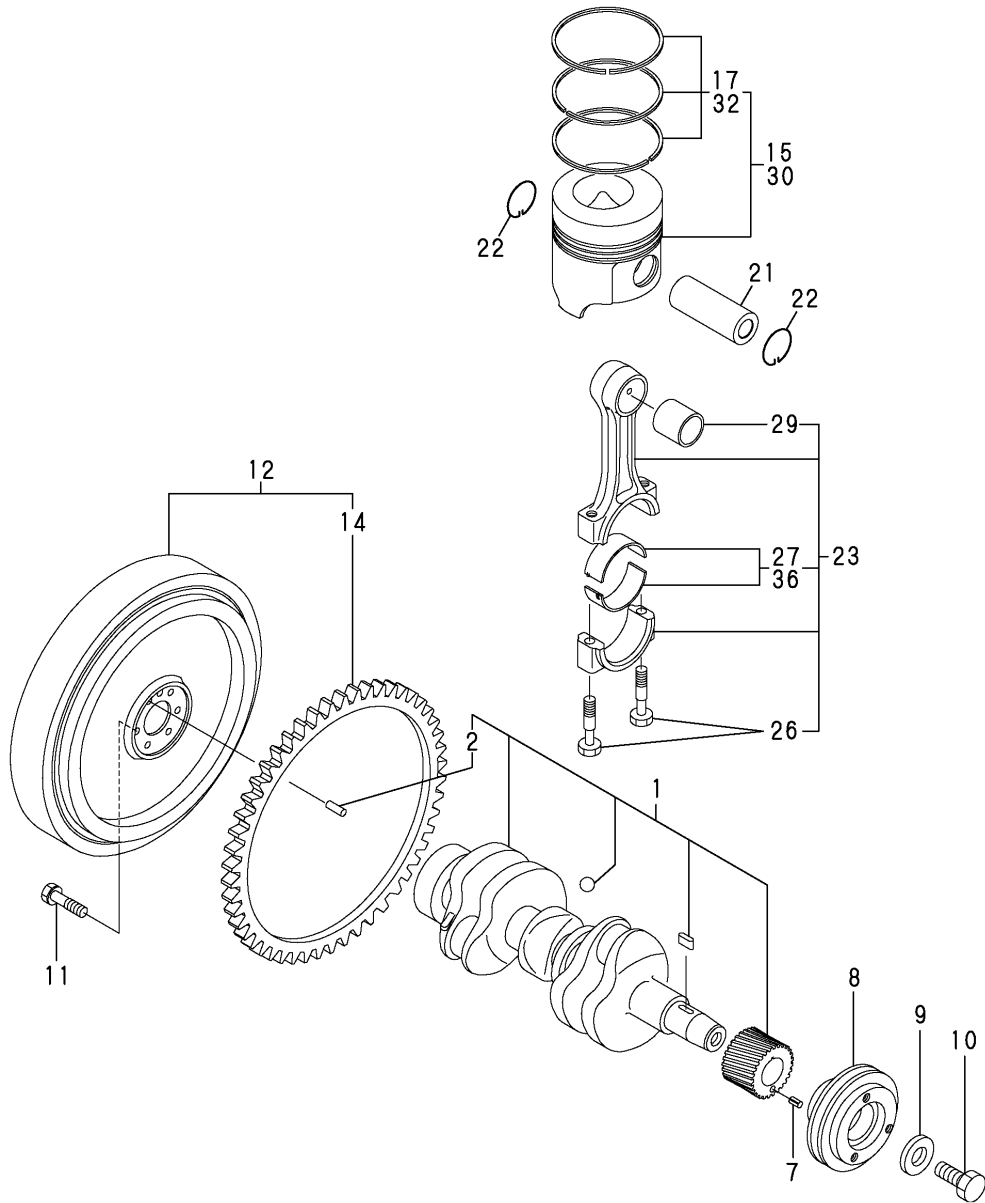
(B)=

(C)=

(D)=

(E)=

(F)=

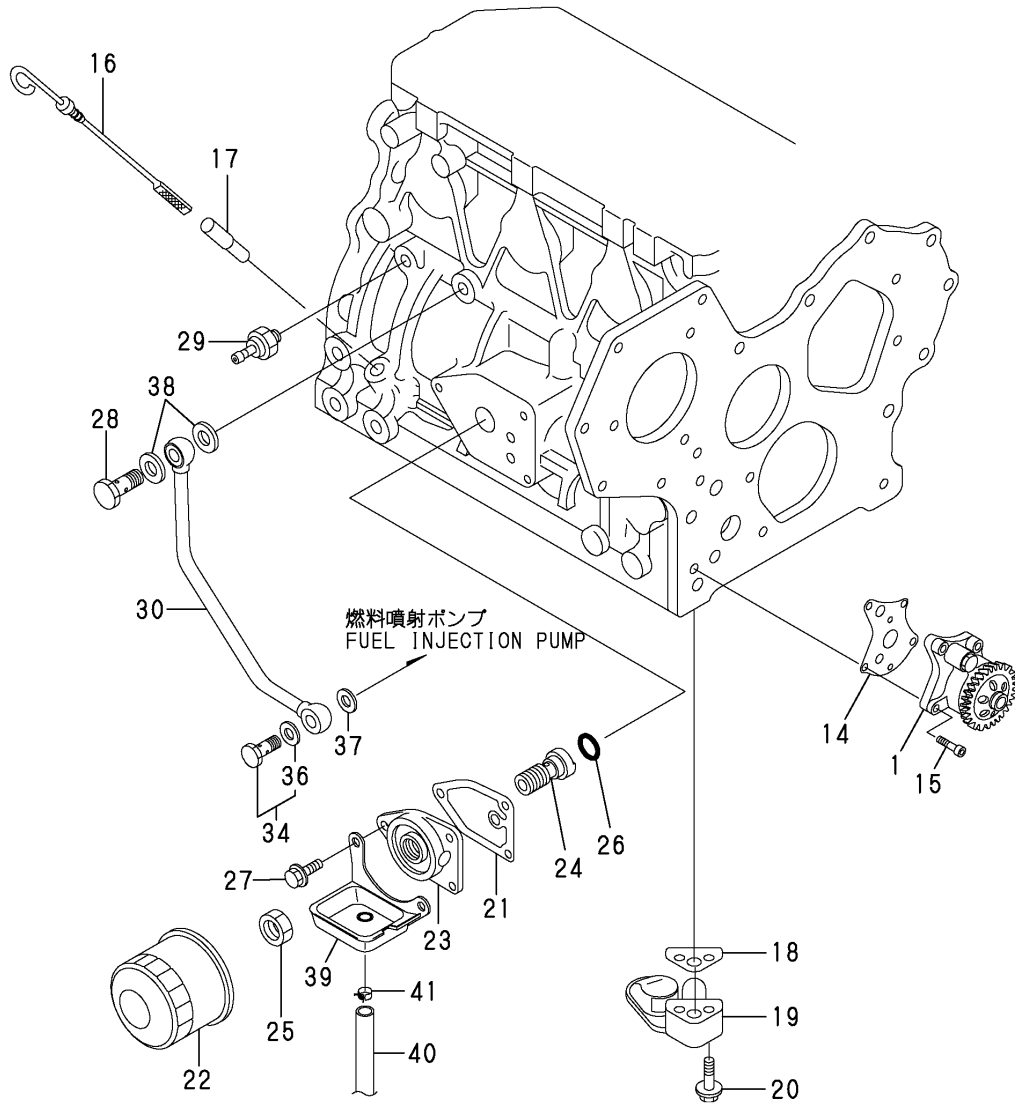


No.	Lev.	Parts No.	Description	Q'ty						I	R
				(A)	(B)	(C)	(D)	(E)	(F)		
1	1	119813-21000	CRANKSHAFT ASSY	1							
2	2	129100-01580	PIN, M8X16	1							
7	1	22351-040010	PIN, SPRING 4.0X10	1							
8	1	171301-21650	V-PULLEY	1							
9	1	129795-21661	WASHER	1							
10	1	121850-21680	BOLT	1							
11	1	121111-21501	BOLT, FLYWHEEL	6							
12	1	171325-21590	FLYWHEEL ASSY	1							
14	2	119865-21600	GEAR, RING	1							
15	1	119813-22080	PISTON ASSY	3							
17	2	119813-22500	RING SET, PISTON	3							
21	1	119813-22300	PIN, PISTON	3							
22	1	129792-22400	CIRCLIP, 23	6							
23	1	719810-23100	ROD ASSY, CONNECTING	3							
26	2	119810-23200	BOLT, CONNECTING ROD	6							
27	2	119810-23600	BEARING, CRANK PIN	3							
29	2	119810-23910	BEARING, PISTON PIN	3							1
30	1	119813-22900	PISTON ASSY, 0.25 OS	3							3
32	2	129003-22950	RING SET, 0.25 OS	3							3
36	1	119810-23610	BEARING, 0.25 US	3							2

Remarks

- (1)REPAIR PART.
- (2)UNDER SIZED(U.S.=0.25)PART.
- (3)OVER SIZED(O.S.=0.25)PART.

Fig.8. LUB.OIL SYSTEM



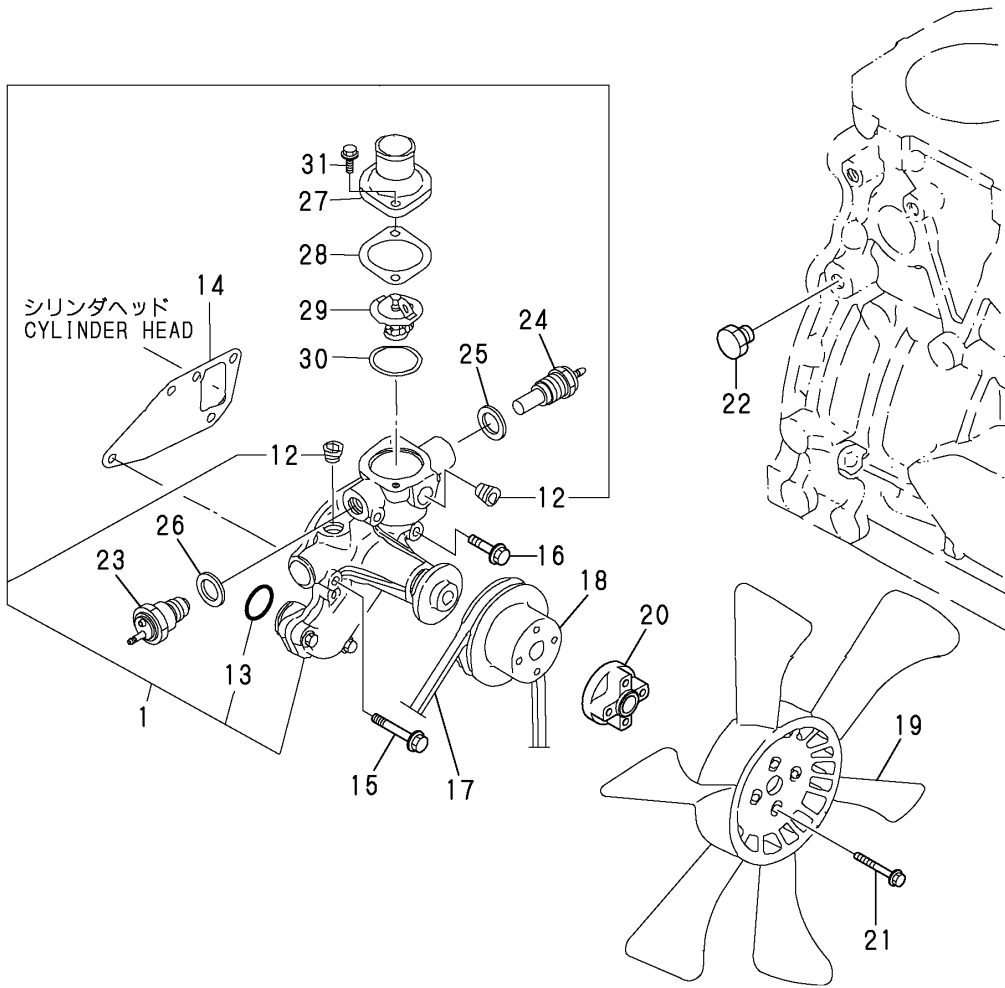
(A)=3TNE82A-EBVC  
(B)=  
(C)=

(D)=  
(E)=  
(F)=

No.	Lev.	Parts No.	Description	Q'ty						I	R
				(A)	(B)	(C)	(D)	(E)	(F)		
1	1	129001-32001	PUMP ASSY, OIL	1							
14	1	129150-32020	GASKET, PUMP	1							
15	1	26450-060252	BOLT, M6X 25	4							
16	1	119640-34800	DIPSTICK, OIL	1							
17	1	121520-34810	GUIDE, DIPSTICK	1							
18	1	129150-35041	GASKET	1							
19	1	119810-35401	PIPE ASSY, OIL INLET	1							
20	1	26106-080352	BOLT, M8X 35 PLATED	2							
21	1	129150-35111	GASKET	1							
22	1	129150-35170	FILTER, LO	1							1
23	1	129150-35101	BRACKET, STRAINER	1							
24	1	129001-35300	BOLT, FILTER	1							
25	1	129150-35350	NUT	1							
26	1	24311-000160	O-RING, 1AP16.0	1							
27	1	26106-080222	BOLT, M8X 22 PLATED	3							
28	1	124160-39140	BOLT, PIPE JOINT M10	1							
29	1	114250-39450	SWITCH, 0.5KG	1							
30	1	119810-39200	PIPE ASSY, OIL	1							
34	1	124550-59830	BOLT ASSY, JOINT M8	1							
36	2	22190-080002	WASHER, SEAL 6	1							
37	1	22190-080002	WASHER, SEAL 6	1							
38	1	22190-100002	WASHER, SEAL 10	2							
39	1	129211-35802	OIL PAN	1							
40	1	23065-120250	PIPE, 12X 250	1							
41	1	23080-014000	CLAMP, 14	1							

Remarks  
(1) REPAIR PART.

Fig.9. COOLING WATER SYSTEM



(A)=3TNE82A-EBVC  
(B)=  
(C)=

(D)=  
(E)=  
(F)=

No.	Lev.	Parts No.	Description	Q'ty						I	R
				(A)	(B)	(C)	(D)	(E)	(F)		
1	1	119810-42001	PUMP ASSY, WATER	1							
12	2	23876-030000	PLUG, R03	2							
13	2	129150-42320	O-RING	1							
14	1	129486-42050	GASKET, WATER PUMP	1							
15	1	26106-080552	BOLT, M8X 55 PLATED	3							
16	1	26106-080352	BOLT, M8X 35 PLATED	1							
17	1	129211-42290	V-BELT, A38.5	1							
18	1	129403-42380	V-PULLEY, D=110	1							
19	1	171440-44740	FAN, COOLING D350XQF	1							
20	1	129030-44760	SPACER, FAN L38.5	1							
21	1	26106-060502	BOLT, M6X 50 PLATED	4							
22	1	171056-49120	PLUG, DRAIN	1							
23	1	121250-44901	SWITCH, 110	1							
24	1	171056-49351	SENSOR	1							
25	1	129150-49360	GASKET	1							
26	1	124465-44950	GASKET, 16	1							
27	1	129350-49530	COVER, THERMOSTAT	1							
28	1	129795-49551	GASKET	1							
29	1	129155-49800	THERMOSTAT, 71	1							
29-1	1	129155-49801	THERMOSTAT, 71	1							R
(A=E/#78736)											
30	1	129150-49811	GASKET, THERMOSTAT	1							
31	1	26106-080222	BOLT, M8X 22 PLATED	2							

Fig.10. FUEL INJECTION PUMP

(A)=3TNE82A-EBVC

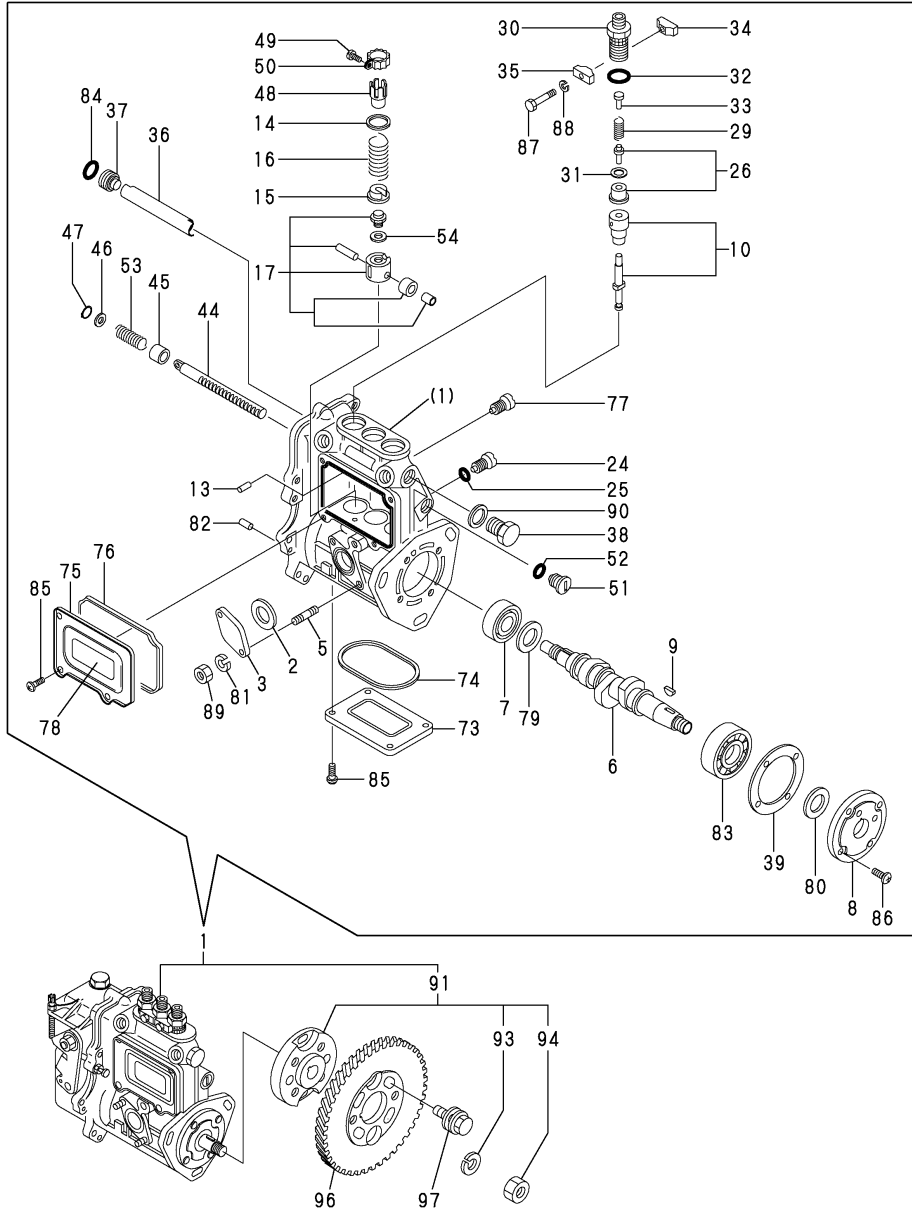
(B)=

(C)=

(D)=

(E)=

(F)=



No.	Lev.	Parts No.	Description	Q'ty						I	R
				(A)	(B)	(C)	(D)	(E)	(F)		
1	1	719824-51480	PUMP ASSY, INJECTION	1							1
2	2	129155-52050	GASKET	1							
2-1	2	129155-52051	GASKET	1							N
(A=E/#82268)											
3	2	129100-52200	COVER	1							
5	2	129155-51020	STUD	2							
6	2	119810-51040	CAMSHAFT	1							
7	2	129155-51050	BEARING, 17BM001D	1							
7-1	2	129155-51051	BEARING	1							R
(A=E/#72461)											
8	2	129208-51060	SUPPORT	1							
9	2	122710-51090	KEY	1							
10	2	129108-51100	PLUNGER ASSY	3							
13	2	129155-51140	PIN	3							
14	2	174307-51170	RETAINER, SPRING A	3							
15	2	129155-51180	RETAINER, SPRING	3							
16	2	124950-51190	SPRING, PLUNGER	3							
17	2	129155-51200	TAPPET ASSY	3							
24	2	129155-51270	STOPPER, TAPPET	3							
25	2	129155-51280	O-RING, S6	3							
26	2	129450-51300	VALVE ASSY, DELIVERY	3							
29	2	129155-51320	SPRING, DELIVERY	3							
30	2	129155-51340	RETAINER	3							
31	2	124550-51350	GASKET, DELIVERY	3							
32	2	124550-51370	O-RING	3							
33	2	129155-51370	STOPPER, VALVE	3							
34	2	129155-51380	STOPPER	2							
35	2	129155-51390	STOPPER	2							
36	2	129155-51400	DEFLECTOR	1							
37	2	129155-51410	BOLT	1							
38	2	129155-51420	PLUG, M16	1							
39	2	129155-51450	SHIM SET, ADJUSTING	1							
44	2	129155-51500	RACK, CONTROL	1							
45	2	129155-51521	BUSH, RACK	1							
46	2	129155-51530	SPACER	1							
47	2	129155-51540	CIRCLIP	1							
48	2	129155-51550	PINION, CONTROL	3							
49	2	122117-51560	SCREW	3							
49-1	2	129100-51570	SCREW	3							N
(A=E/#65066)											
50	2	174307-51560	PINION	3							
51	2	129155-51570	PLUG, M12	1							
52	2	129155-51580	O-RING	1							
53	2	129155-51591	SPRING, RACK	1							
54	2	129155-51600	SHIM SET, ADJUSTING	3							
73	2	129155-51701	COVER	1							
74	2	129155-51711	GASKET	1							
75	2	129155-51751	COVER	1							
76	2	129155-51760	GASKET	1							
76-1	2	129155-51761	GASKET	1							N
(A=E/#82268)											

Remarks  
 (1)GOVERNOR(FIG.11)IS INCORPORATED  
 IN THIS FUEL INJECTION PUMP.  
 (REF.NO.1)

Fig.10. FUEL INJECTION PUMP

(A)=3TNE82A-EBVC

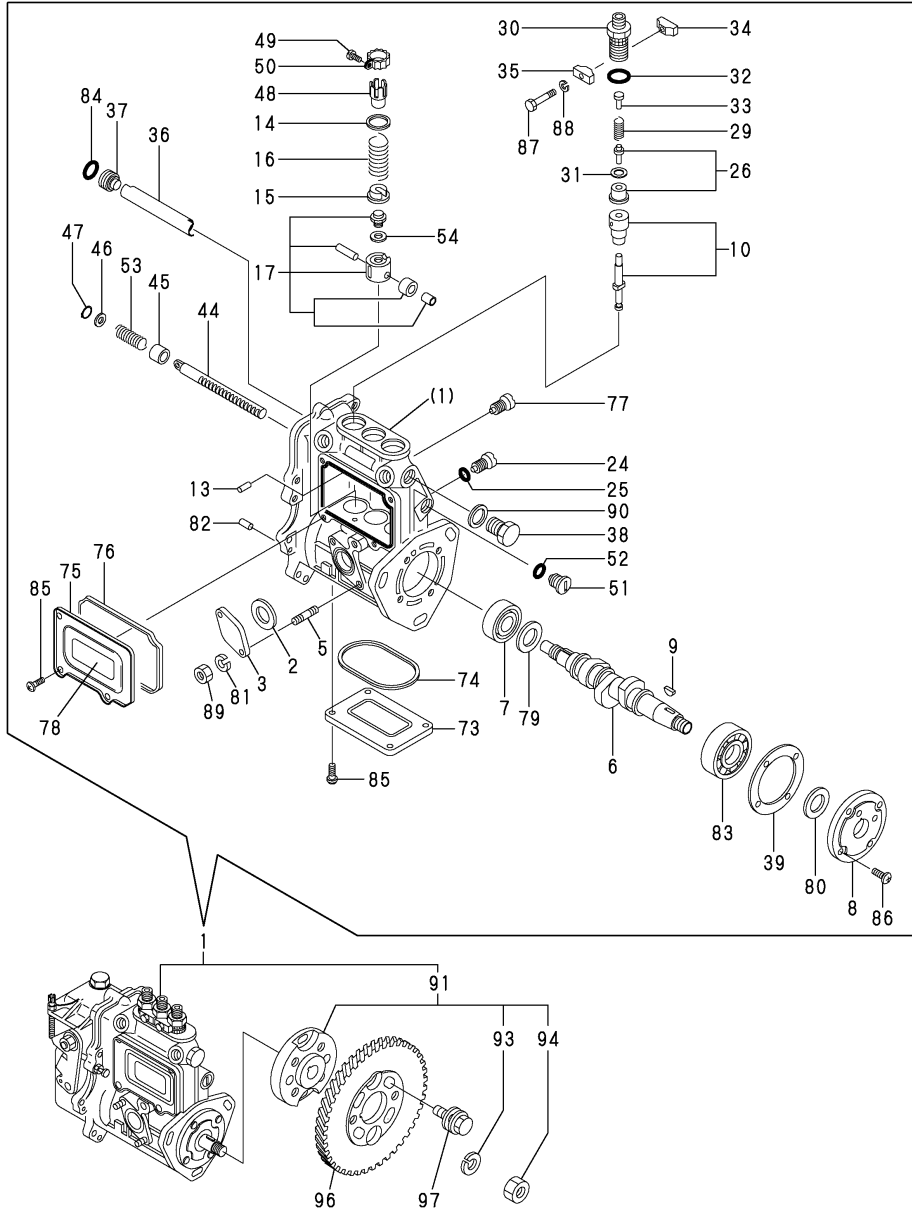
(B)=

(C)=

(D)=

(E)=

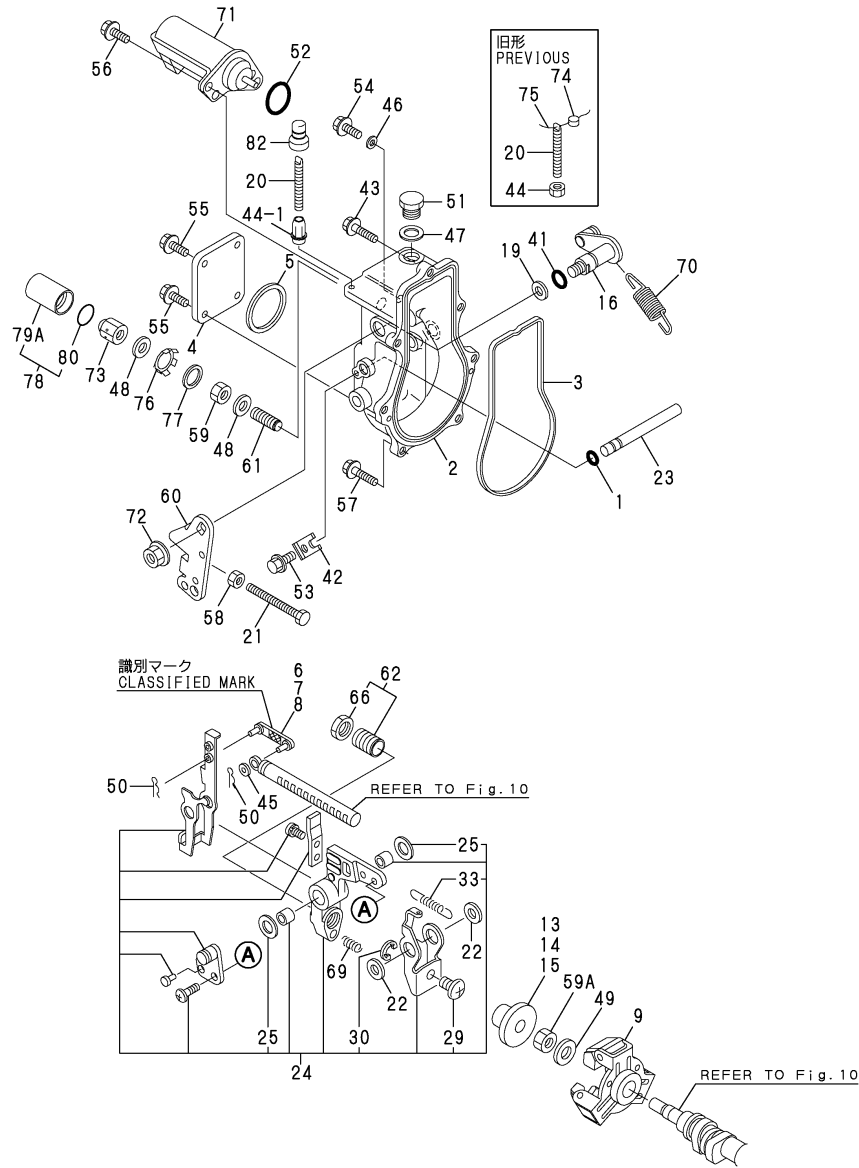
(F)=



No.	Lev.	Parts No.	Description	(A)	(B)	(C)	(D)	(E)	(F)	Q'ty	I	R
77	2	129155-51790	STOOPER, RACK				1			1		
78	2	129156-51910	LABEL, CAUTION				1			1		
79	2	129155-51930	SPACER, T=3.25				1			1		
80	2	129155-51940	SPACER, T=1.5				1			1		
81	2	22217-060000	WASHER, SPRING 6				2			2		
82	2	22351-050010	PIN, SPRING 5.0X10				2			2		
83	2	24101-063034	BEARING, BALL 6303				1			1		
84	2	24341-000160	O-RING, 1AS16.0				1			1		
85	2	26022-050122	SCREW, M5X12				8			8		
86	2	26022-060162	SCREW, M6X16				4			4		
87	2	26116-050302	BOLT, M5X 30 PLATED				2			2		
88	2	22217-050000	WASHER, SPRING 5				2			2		
89	2	26716-060002	NUT, M6				2			2		
90	2	22190-160002	WASHER, SEAL 16				1			1		
91	2	129208-54500	FLANGE ASSY				1			1		
93	3	22217-120000	WASHER, SPRING 12				1			1		
94	3	26716-120002	NUT, M12				1			1		
96	1	129150-25931	GEAR, PUMP				1			1		
97	1	129150-25301	BOLT				4			4		

Remarks  
 (1)GOVERNOR(FIG.11)IS INCORPORATED  
 IN THIS FUEL INJECTION PUMP.  
 (REF.NO.1)

Fig.11. GOVERNOR



(A)=3TNE82A-EBVC

(B)=

(C)=

(D)=

(E)=

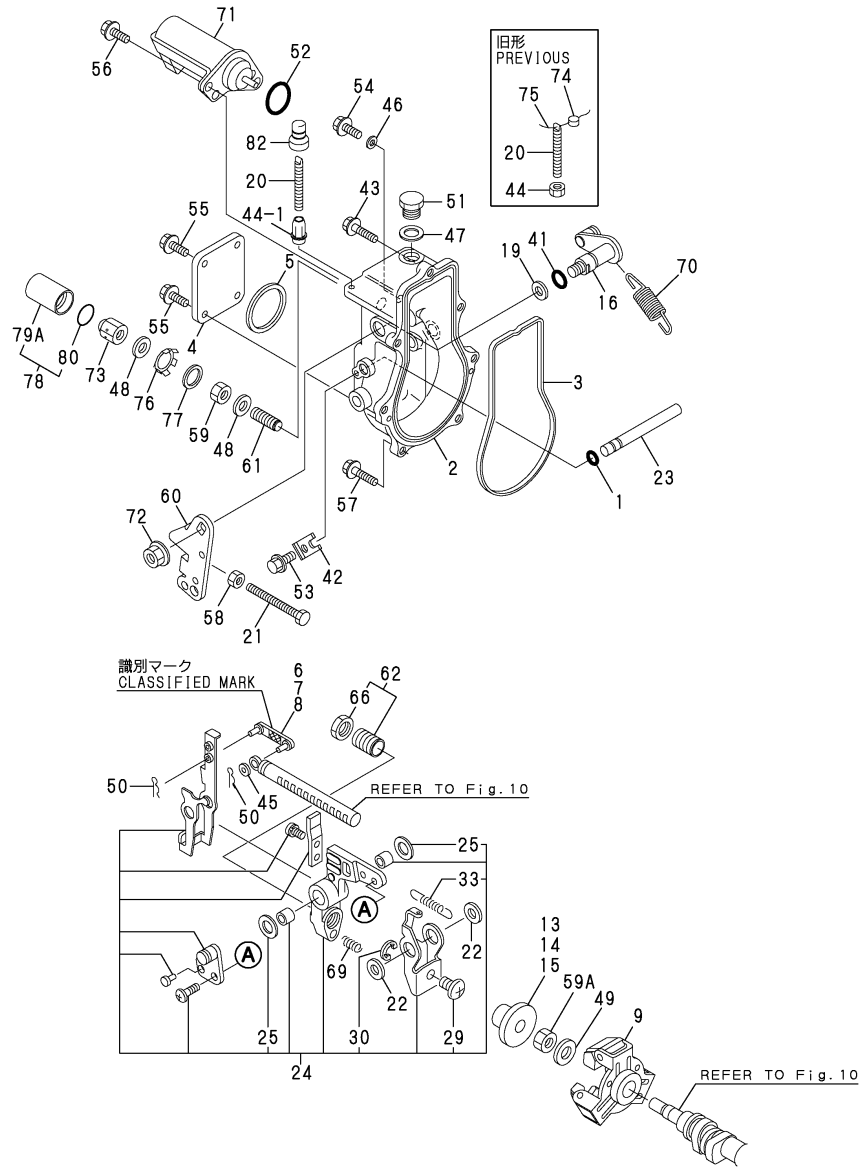
(F)=

No.	Lev.	Parts No.	Description	Qty						I	R
				(A)	(B)	(C)	(D)	(E)	(F)		
1	2	129155-51280	O-RING, S6	1							
2	2	129052-61010	CASE, GOVERNOR	1							
3	2	129052-61050	GASKET	1							
3-1	2	129052-61051	GASKET	1							N
		(A=E/#82268)									
4	2	129052-61060	COVER, GOVERNOR CASE	1							
5	2	129052-61070	GASKET	1							
5-1	2	129052-61071	GASKET	1							N
		(A=E/#82268)									
6	2	129155-61120	LINK, L=30 MARK 0	1							1
7	2	129155-61130	LINK, L=31 MARK 1	1							1
8	2	129155-61140	LINK, L=30.5 MARK 05	1							1
9	2	129486-61201	WEIGHT ASSY,GOVERNOR	1							
13	2	129155-61341	SLEEVE	1							2
14	2	129155-61350	SLEEVE, L=24.9	1							2
15	2	129155-61360	SLEEVE, L=25.2	1							2
16	2	129100-61400	SHAFT ASSY	1							
19	2	129155-61430	SPACER	1							
20	2	129155-61450	BOLT, LIMITER	1							
21	2	129155-61460	BOLT, IDLE	1							
22	2	129155-61480	SPACER ASSY	2							
23	2	129052-61390	SHAFT	1							
24	2	119908-61501	LEVER ASSY, GOVERNOR	1							
25	3	174307-51700	SHIM SET	2							
29	4	119600-61540	SHIFTER	1							
30	4	22272-000040	RING, E- 4	1							
33	3	129486-61540	SPRING, SET	1							
41	2	129155-61830	O-RING, S10	1							
42	2	119660-61901	RETAINER, SHAFT	1							
43	2	129155-61950	BOLT	1							
44	2	124550-66370	NUT, M6	1							
44-1	2	129209-61370	NUT, M6	1							S
		(A=E/#71560)									
45	2	22117-040000	WASHER, 4	1							
46	2	22190-060003	SEAL WASER 6	1							
47	2	22190-100002	WASHER, SEAL 10	1							
48	2	22190-120002	WASHER, SEAL 12	2							
49	2	22287-120000	WASHER, 12	1							
50	2	22372-040000	PIN, SNAP 4	2							
51	2	23887-100002	PLUG, 10	1							
52	2	24341-000280	O-RING, 1AS28.0	1							
53	2	26106-060102	BOLT, M6X 10 PLATED	1							
54	2	26106-060102	BOLT, M6X 10 PLATED	1							
55	2	26106-060102	BOLT, M6X 10 PLATED	4							
56	2	26106-060142	BOLT, M6X 14 PLATED	2							
57	2	26106-060202	BOLT, M6X 20 PLATED	6							
58	2	26756-060002	NUT, LOCK M6	1							
59	2	26776-120002	NUT, LOCK M12	1							
59-1	2	26736-120002	NUT, M12	1							S
		(A=E/#69746)									
59A	2	26776-120002	NUT, LOCK M12	1							

Remarks

- (1)SELECTION USE PARTS:CERTAIN THE CLASSIFICATION MARK, THEN PLACE YOUR ORDER.(REFER TO ILLUSTRATION)
- (2)SELECTION USE PARTS.
- (3)REPAIR PART.

Fig.11. GOVERNOR



(A)=3TNE82A-EBVC

(B)=

(C)=

(D)=

(E)=

(F)=

No.	Lev.	Parts No.	Description	Q'ty						I	R
				(A)	(B)	(C)	(D)	(E)	(F)		
60	2	129100-61440	LEVER, CONTROL	1							
61	2	120323-61470	BOLT, CONTROL	1							
62	2	171353-61550	ANGLEICH ASSY	1							
66	3	129155-61590	NUT, LOCK	1							
69	2	129100-61650	SPRING, CONTROLLER	1							
70	2	129489-61700	SPRING, GOVERNOR	1							
71	2	119233-77931	SOLENOID, STOP	1							
71-1	2	119233-77932	SOLENOID, STOP	1							N
(A=E/#69376)											
72	2	26366-080002	NUT, M8	1							
73	2	129100-61930	NUT, CAP	1							
73-1	2	129209-61930	NUT, CAP	1							N
(A=E/#71560)											
74	2	135210-61090	LEAD	1							Z
(A=E/#71560)											
75	2	22451-060000	WIRE, 0.6	1							Z
(A=E/#71560)											
76	2	129209-61970	PLATE	1							W
(A=E/#71560)											
77	2	23414-120016	GASKET, 12X1.0	1							W
(A=E/#71560)											
78	1	129209-61940	CASE ASSY	1							W
(A=E/#71560)											
79A	2	129209-61960	CASE	1							W 3
(A=FROM 1ST)											
80	2	24311-000150	O-RING, 1AP15.0	1							W
(A=E/#71560)											
82	1	119285-66650	CAP, HIGH-IDLE	1							W 3
(A=E/#71560)											

Remarks

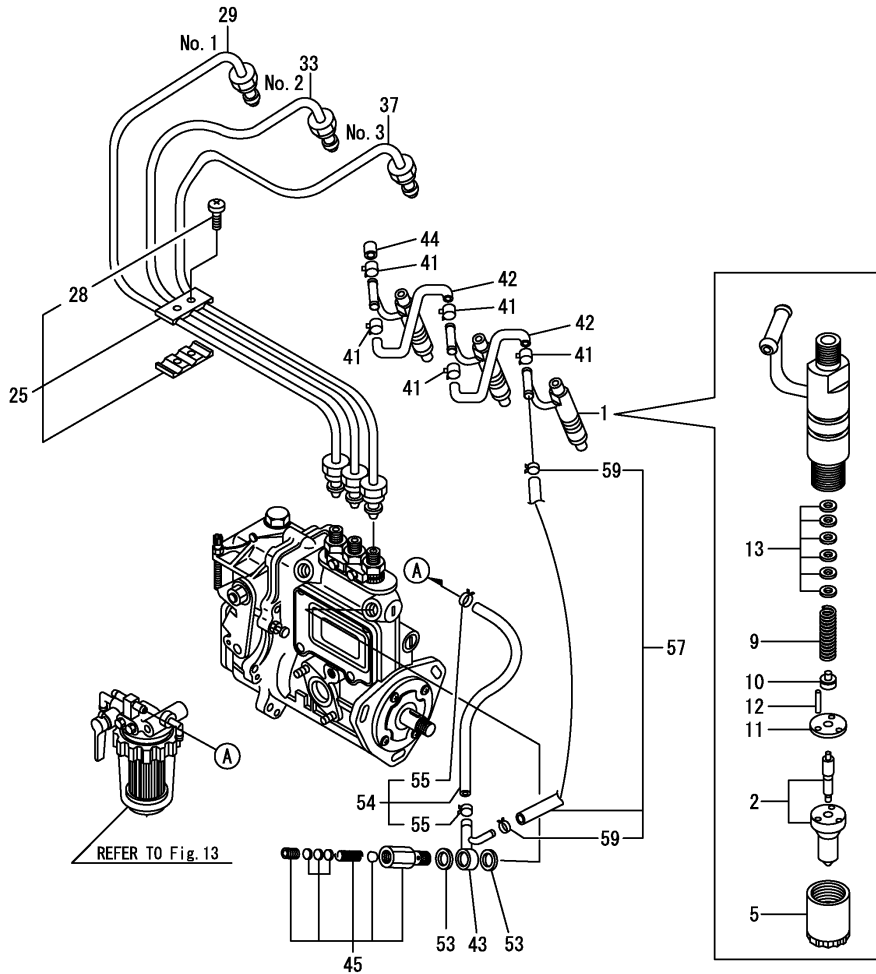
(1)SELECTION USE PARTS:CERTAIN THE CLASSIFICATION MARK, THEN PLACE YOUR ORDER.(REFER TO ILLUSTRATION)

(2)SELECTION USE PARTS.

(3)REPAIR PART.



Fig.12. FUEL INJECTION PIPE



(A)=3TNE82A-EBVC

(B)=

(C)=

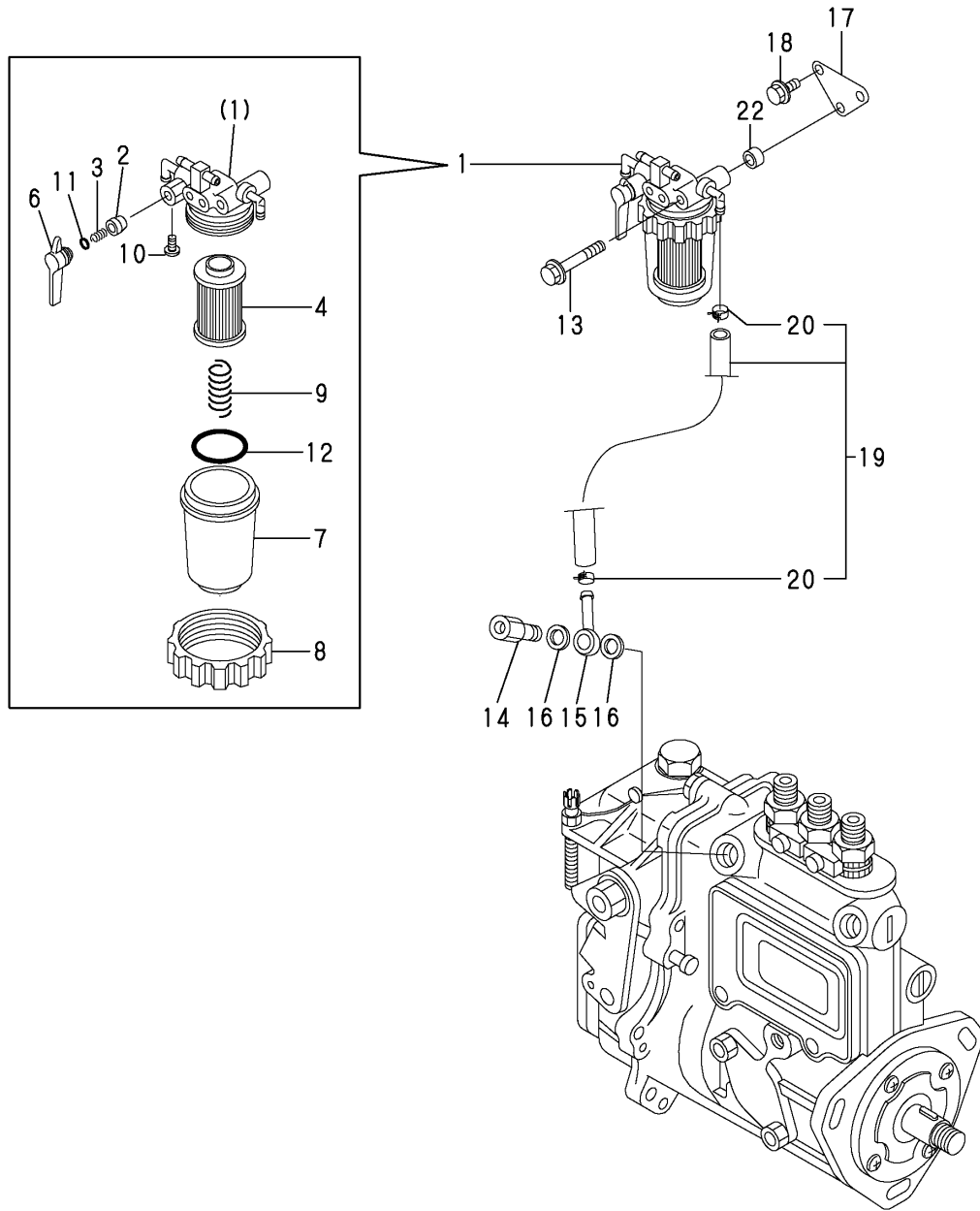
(D)=

(E)=

(F)=

No.	Lev.	Parts No.	Description	Q'ty						I	R
				(A)	(B)	(C)	(D)	(E)	(F)		
1	1	729609-53200	VALVE ASSY,INJECTION	3							
2	2	129609-53100	VALVE ASSY,INJECTION	3							
5	2	114250-53080	NUT, NOZZLE D16.95	3							
9	2	114250-53120	SPRING, NOZZLE	3							
10	2	114250-53130	SEAT, SPRING	3							
11	2	114250-53140	PLATE	3							
12	2	114250-53210	PIN	6							
13	2	114250-53400	SHIM SET	3							
25	1	129150-59120	RETAINER, PIPE	1							
28	2	129150-59131	BOLT, M4X14	2							
29	1	119810-59810	PIPE ASSY, INJECTION	1							
33	1	119810-59820	PIPE ASSY, INJECTION	1							
37	1	119810-59830	PIPE ASSY, INJECTION	1							
41	1	124066-59100	CLIP, HOSE 8	5							
42	1	121250-59550	PIPE, FUEL D8X120	2							
43	1	119840-59570	JOINT	1							
44	1	129150-59580	CAP	1							
45	1	129100-59951	VALVE ASSY, CHECK	1							
45-1	1	119813-59950	VALVE ASSY, CHECK	1							N
		(A=E/#83162)									
53	1	22190-120002	WASHER, SEAL 12	2							
54	1	129210-59090	PIPE ASSY, FUEL	1							
55	2	124766-59050	CLIP, HOSE 12	2							
57	1	119840-59500	PIPE ASSY, RETURN	1							
59	2	124066-59100	CLIP, HOSE 8	2							

Fig.13. FUEL PIPE



(A)=3TNE82A-EBVC  
(B)=  
(C)=

(D)=  
(E)=  
(F)=

No.	Lev.	Parts No.	Description	Q'ty						I	R
				(A)	(B)	(C)	(D)	(E)	(F)		
1	1	119833-55620	FILTER ASSY, FUEL	1							
2	2	104200-55321	VALVE, TAPER	1							
3	2	104200-55330	SPRING, VALVE	1							
4	2	119810-55650	ELEMENT	1							
6	2	119810-55340	LEVER	1							
7	2	121254-55510	COVER	1							
8	2	110250-55610	RING, RETAINING	1							
9	2	121250-55620	SPRING	1							
10	2	104200-55750	SCREW, M4	1							
11	2	24311-240100	O-RING, 1AP10A	1							
12	2	102103-55520	O-RING	1							
13	1	26014-080752	BOLT, M8X 75	1							
14	1	103854-39140	BOLT, PIPE JOINT	1							
15	1	101304-59020	JOINT, PIPE 12	1							
16	1	22190-120002	WASHER, SEAL 12	2							
17	1	119813-55900	BRACKET, FILTER	1							
18	1	26106-080202	BOLT, M8X 20 PLATED	2							
19	1	129210-59030	PIPE ASSY, FUEL	1							
20	2	124766-59050	CLIP, HOSE 12	2							
22	1	106500-44810	SPACER	1							

Fig.14. STARTING MOTOR

(A)=3TNE82A-EBVC

(B)=

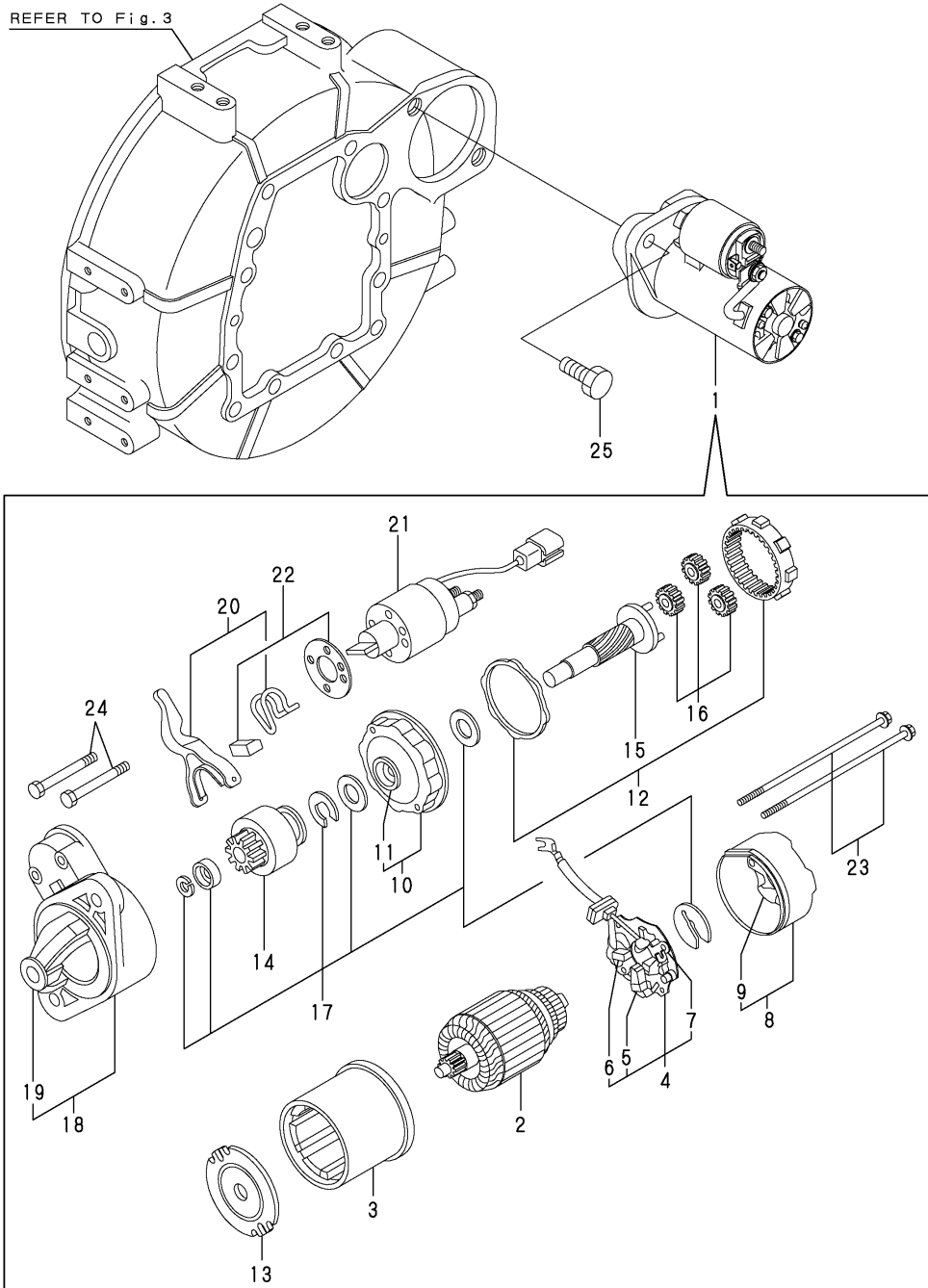
(C)=

(D)=

(E)=

(F)=

REFER TO Fig. 3

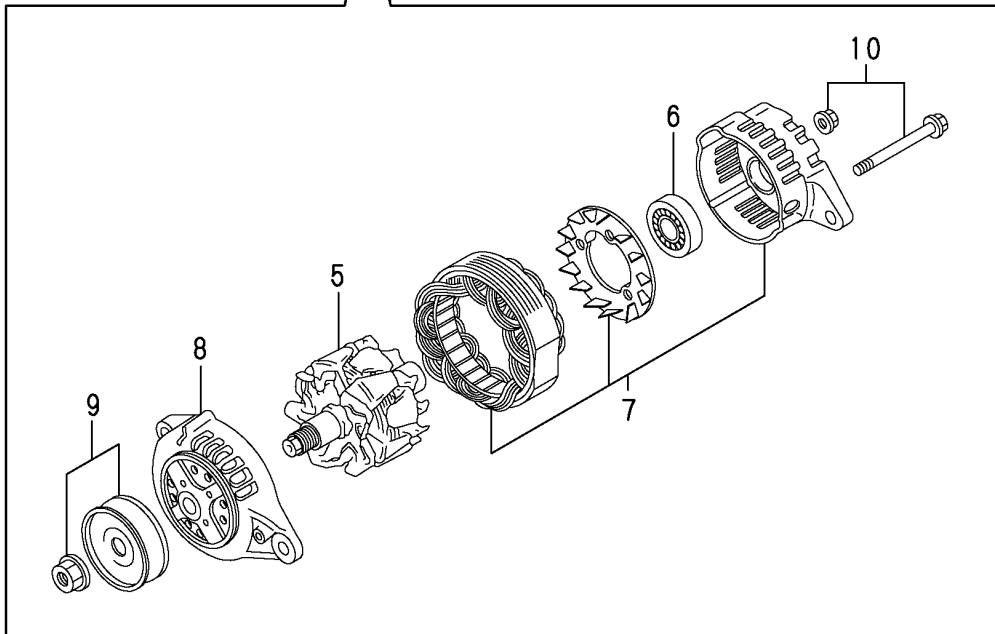
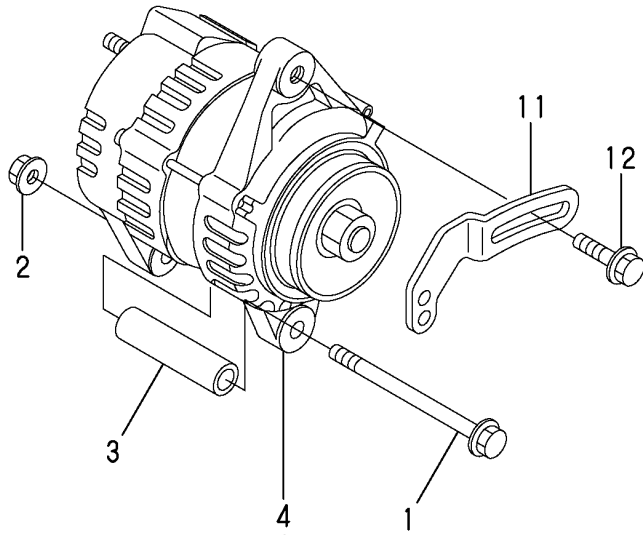


No.	Lev.	Parts No.	Description	Q'ty						I	R
				(A)	(B)	(C)	(D)	(E)	(F)		
1	1	129698-77010	STARTER, 12V1.2KW	1							
2	2	129698-77101	ARMATURE ASSY	1							
3	2	129698-77110	YOKE ASSY	1							
4	2	129698-77120	HOLDER ASSY, BRUSH	1							
5	3	129698-77130	BRUSH	2							
6	3	129698-77140	BRUSH SET	1							
7	3	129698-77150	SPRING, BRUSH	4							
8	2	129698-77161	COVER ASSY	1							
9	3	129698-77170	BEARING	1							
10	2	129698-77180	BRACKET	1							
11	3	129698-77190	BRACKET	1							
12	2	129698-77200	GEAR, INTERNAL	1							
13	2	129698-77210	BRACKET	1							
14	2	129698-77220	PINION ASSY	1							
15	2	129698-77230	SHAFT	1							
16	2	129698-77240	GEAR	3							
17	2	129698-77250	WASHER SET	1							
18	2	129698-77260	CASE ASSY	1							
19	3	X2114535200	METAL, STARTER	1							
20	2	129698-77270	LEVER SET, SHIFT	1							
21	2	129698-77020	SWITCH ASSY	1							
22	2	129698-77280	COVER KIT	1							
23	2	124195-77770	BOLT, THROUGH	2							
24	2	X21147867	BOLT, M6X37	2							
25	1	26116-120252	BOLT, M12X 25 PLATED	2							

Fig.15. GENERATOR

(A)=3TNE82A-EBVC  
(B)=  
(C)=

(D)=  
(E)=  
(F)=



No.	Lev.	Parts No.	Description	Q'ty						I	R
				(A)	(B)	(C)	(D)	(E)	(F)		
1	1	129953-77201	BOLT	1							
1-1	1	129136-77251	BOLT, M8X110	1							R
(A=E/#68576)											
2	1	129612-77260	NUT, ALTERNATOR	1							
3	1	119820-77340	PIECE, DISTANCE	1							
4	1	119836-77201	GENERATOR	1							
5	2	129612-77700	ROTOR ASSY	1							
6	2	129612-77710	BEARING, BALL	1							
7	2	129930-77920	BRACKET, REAR	1							
8	2	129612-77730	BRACKET ASSY, FILTER	1							
9	2	129612-77740	PULLEY	1							
10	2	129612-77750	SCREW KIT	1							
11	1	119823-77330	ADJUSTER	1							
12	1	119810-77340	BOLT, ADJUSTER	1							

Fig.16. GASKET SET & TOOLS

(A)=3TNE82A-EBVC

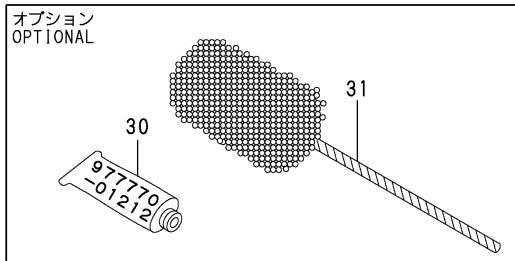
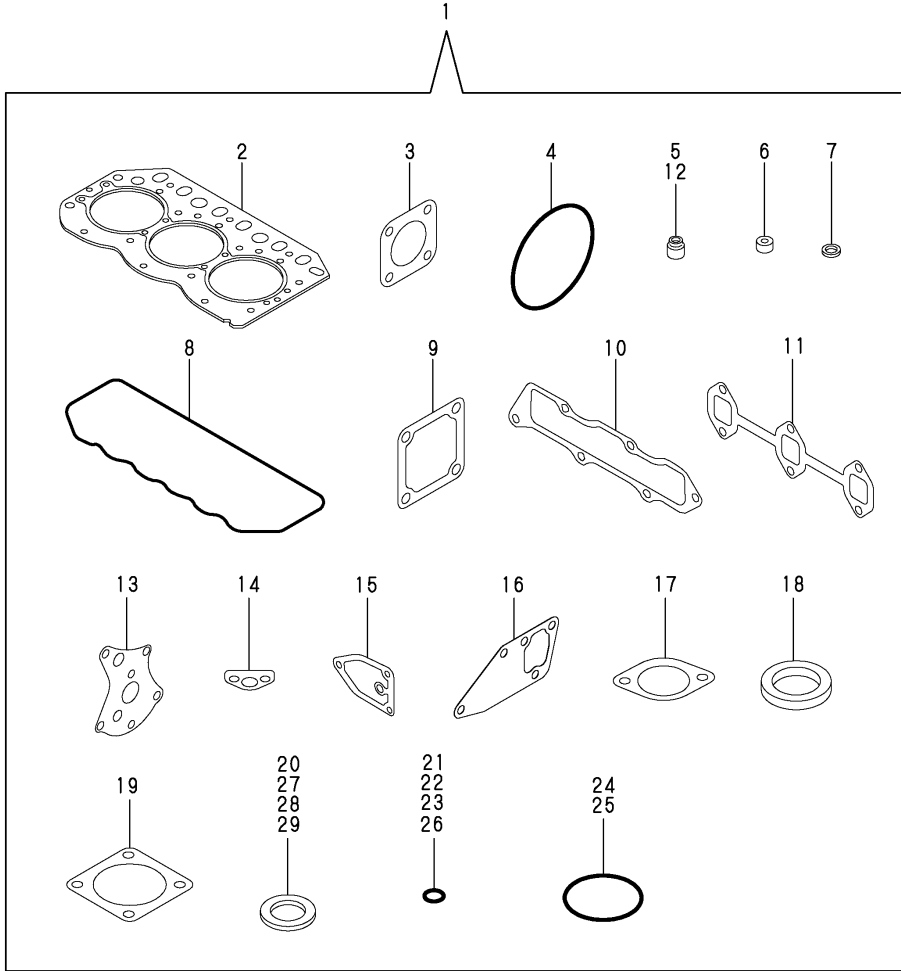
(B)=

(C)=

(D)=

(E)=

(F)=



No.	Lev.	Parts No.	Description	Q'ty						I	R
				(A)	(B)	(C)	(D)	(E)	(F)		
1	1	719813-92660	GASKET SET	1							1
2	2	119812-01330	GASKET, HEAD	1							
3	2	124240-01883	GASKET	1							
4	2	121850-51960	O-RING	1							
5	2	124160-11340	SEAL, VALVE STEM	3							
6	2	119625-11870	PROTECTOR, NOZZLE	3							
6-1	2	119625-11872	PROTECTOR, NOZZLE	3							R
(A=E/#72461)											
7	2	119625-11880	SEAT, NOZZLE	3							
8	2	119865-11310	GASKET, BONNET	1							
9	2	129150-77511	GASKET	1							
10	2	119813-12110	GASKET, MANIFOLD	1							
11	2	119810-13110	GASKET	1							
12	2	124950-11340	SEAL, VALVE STEM	3							
13	2	129150-32020	GASKET, PUMP	1							
14	2	129150-35041	GASKET	1							
15	2	129150-35111	GASKET	1							
16	2	129486-42050	GASKET, WATER PUMP	1							
17	2	129795-49551	GASKET	1							
18	2	129150-49811	GASKET, THERMOSTAT	1							
19	2	124701-11911	GASKET, SILENCER	1							
20	2	129155-52050	GASKET	1							
21	2	24311-000120	O-RING, 1AP12.0	3							
22	2	24311-000160	O-RING, 1AP16.0	1							
23	2	24311-000160	O-RING, 1AP16.0	2							
23-1	2	119609-32040	O-RING, P16	2							R
(A=E/#71137)											
24	2	24311-000320	O-RING, 1AP32.0	2							
25	2	24341-000500	O-RING, 1AS50.0	1							
26	2	24341-000240	O-RING, 1AS24.0	1							
27	2	22190-100002	WASHER, SEAL 10	2							
28	2	124465-44950	GASKET, 16	2							
29	2	22190-120002	WASHER, SEAL 12	2							
30	1	977770-01212	GASKET, LIQUID	1							1
31	1	129400-92420	HONE	1							1

Remarks

(1)OPTIONAL PART.

# Parts No. Index

Parts No.	Fig. No.	Ref. No.
101304-59020	13	15
102103-55520	13	12
103854-39140	13	14
104200-55321	13	2
104200-55330	13	3
104200-55750	13	10
104211-11180	4	15
104211-11370	4	19
106500-44810	13	22
110250-55610	13	8
114250-39450	8	29
114250-53080	12	5
114250-53120	12	9
114250-53130	12	10
114250-53140	12	11
114250-53210	12	12
114250-53400	12	13
119131-18320	5	13
119233-77931	11	71
119233-77932	11	71 -1
119260-07900	4	3
119285-66650	11	82
119600-61540	11	29
119609-32040	2	12 -1
	16	23 -1
119620-01750	3	3
119620-02020	1	11
119625-11870	4	34
		34 -2
	16	6
119625-11872	4	34 -1
	16	6 -1
119625-11880	4	35
	16	7
119625-11900	4	36
119640-01640	3	7
119640-34800	8	16
119660-61901	11	42
119802-11280	4	33 -1
119802-13640	5	15 -1
		15 -2
119802-13740	5	16 -1
		16 -2
119810-01200	1	21
119810-01730	3	13
119810-01780	3	16
119810-01790	3	6
119810-02800	1	15
119810-02870	1	23
119810-02930	1	18

Parts No.	Fig. No.	Ref. No.
119810-02940	1	26
119810-11100	4	12
119810-11110	4	13
119810-11120	4	14
119810-11240	4	26
119810-13110	5	11
	16	11
119810-14400	6	2
119810-14580	6	3
119810-23200	7	26
119810-23600	7	27
119810-23610	7	36
119810-23910	7	29
119810-35401	8	19
119810-39200	8	30
119810-42001	9	1
119810-51040	10	6
119810-55340	13	6
119810-55650	13	4
119810-59810	12	29
119810-59820	12	33
119810-59830	12	37
119810-77340	15	12
119812-01330	1	22
	16	2
119813-12100	5	1
119813-12110	5	2
	16	10
119813-13120	5	10
119813-13510	5	21
119813-13550	5	18
119813-13551	5	18 -1
119813-13552	5	18 -2
119813-21000	7	1
119813-22080	7	15
119813-22300	7	21
119813-22500	7	17
119813-22900	7	30
119813-55900	13	17
119813-59950	12	45 -1
119820-77340	15	3
119823-77330	15	11
119833-55620	13	1
119836-77201	15	4
119840-59500	12	57
119840-59570	12	43
119860-01650	3	15
119865-11210	4	22
119865-11310	4	45
	16	8

Parts No.	Fig. No.	Ref. No.
119865-21600	7	14
119908-61501	11	24
120323-61470	11	61
121023-01550	2	26
121111-21501	7	11
121250-44901	9	23
121250-55620	13	9
121250-59550	12	42
121254-55510	13	7
121450-01560	2	4
121520-34810	8	17
121850-21680	7	10
121850-51960	2	11
	16	4
122117-51560	10	49
122710-51090	10	9
123900-13610	5	14 -1
		14 -2
123900-13630	5	14 A
124060-11800	4	11
124066-59100	12	41
		59
124160-01751	2	6
	4	40
124160-01910	1	4
		5
124160-11340	4	17
	16	5
124160-11360	4	49
124160-39140	8	28
124195-77770	14	23
124240-01871	2	7
124240-01883	2	8
	16	3
124465-44950	9	26
	16	28
124550-51350	10	31
124550-51370	10	32
124550-59830	8	34
124550-66370	11	44
124701-11911	5	17
	16	19
124736-07900	4	2
124766-59050	12	55
	13	20
124950-11340	4	18
	16	12
124950-51190	10	16
129001-01250	1	8
129001-32001	8	1

Parts No.	Fig. No.	Ref. No.
129001-35300	8	24
129001-91841	2	22
129003-22950	7	32
129030-44760	9	20
129052-61010	11	2
129052-61050	11	3
129052-61051	11	3 -1
129052-61060	11	4
129052-61070	11	5
129052-61071	11	5 -1
129052-61390	11	23
129100-01580	3	1
		10
	7	2
129100-25061	6	8
129100-51570	10	49 -1
129100-52200	10	3
129100-59951	12	45
129100-61400	11	16
129100-61440	11	60
129100-61650	11	69
129100-61930	11	73
129100-77500	5	4
129100-77510	5	6
129108-51100	10	10
129136-77251	15	1 -1
129150-02450	6	4
129150-03020	4	41
129150-03070	4	42
129150-03080	4	43
129150-03100	2	10
129150-11230	4	30
129150-11280	4	25
129150-11750	4	32
129150-14101	6	6
129150-14200	6	1
129150-25101	6	9
129150-25301	10	97
129150-25920	6	11 A
129150-25931	10	96
129150-32020	8	14
	16	13
129150-35041	8	18
	16	14
129150-35101	8	23
129150-35111	8	21
	16	15
129150-35170	8	22
129150-35350	8	25
129150-42320	9	13

## Parts No. Index

Parts No.	Fig. No.	Ref. No.
129150-49360	9	25
129150-49811	9	30
	16	18
129150-59120	12	25
129150-59131	12	28
129150-59580	12	44
129150-77511	5	5
	16	9
129155-11260	4	23
129155-11270	4	24
129155-49800	9	29
129155-49801	9	29 -1
129155-51020	10	5
129155-51050	10	7
129155-51051	10	7 -1
129155-51140	10	13
129155-51180	10	15
129155-51200	10	17
129155-51270	10	24
129155-51280	10	25
	11	1
129155-51320	10	29
129155-51340	10	30
129155-51370	10	33
129155-51380	10	34
129155-51390	10	35
129155-51400	10	36
129155-51410	10	37
129155-51420	10	38
129155-51450	10	39
129155-51500	10	44
129155-51521	10	45
129155-51530	10	46
129155-51540	10	47
129155-51550	10	48
129155-51570	10	51
129155-51580	10	52
129155-51591	10	53
129155-51600	10	54
129155-51701	10	73
129155-51711	10	74
129155-51751	10	75
129155-51760	10	76
129155-51761	10	76 -1
129155-51790	10	77
129155-51930	10	79
129155-51940	10	80
129155-52050	10	2
	16	20
129155-52051	10	2 -1

Parts No.	Fig. No.	Ref. No.
129155-61120	11	6
129155-61130	11	7
129155-61140	11	8
129155-61341	11	13
129155-61350	11	14
129155-61360	11	15
129155-61430	11	19
129155-61450	11	20
129155-61460	11	21
129155-61480	11	22
129155-61590	11	66
129155-61830	11	41
129155-61950	11	43
129156-51910	10	78
129208-51060	10	8
129208-54500	10	91
129209-61370	11	44 -1
129209-61930	11	73 -1
129209-61940	11	78
129209-61960	11	79 A
129209-61970	11	76
129210-59030	13	19
129210-59090	12	54
129211-35802	8	39
129211-42290	9	17
129350-49530	9	27
129400-01520	2	5
129400-92420	16	31
129403-42380	9	18
129450-51300	10	26
129486-01670	3	17
129486-42050	9	14
	16	16
129486-61201	11	9
129486-61540	11	33
129489-61700	11	70
129609-53100	12	2
129612-01600	3	2
129612-77260	15	2
129612-77700	15	5
129612-77710	15	6
129612-77730	15	8
129612-77740	15	9
129612-77750	15	10
129698-77010	14	1
129698-77020	14	21
129698-77101	14	2
129698-77110	14	3
129698-77120	14	4
129698-77130	14	5

Parts No.	Fig. No.	Ref. No.
129698-77140	14	6
129698-77150	14	7
129698-77161	14	8
129698-77170	14	9
129698-77180	14	10
129698-77190	14	11
129698-77200	14	12
129698-77210	14	13
129698-77220	14	14
129698-77230	14	15
129698-77240	14	16
129698-77250	14	17
129698-77260	14	18
129698-77270	14	20
129698-77280	14	22
129792-22400	7	22
129795-01800	2	3
129795-01950	2	9
129795-02411	1	14
129795-21661	7	9
129795-49551	9	28
	16	17
129930-77920	15	7
129953-77201	15	1
135210-61090	11	74
171031-11741	2	14
171051-01921	1	6
171056-49120	9	22
171056-49351	9	24
171301-21650	7	8
171325-21590	7	12
171340-77520	5	7
171353-61550	11	62
171440-44740	9	19
174307-51170	10	14
174307-51560	10	50
174307-51700	11	25
22117-040000	11	45
22190-060003	11	46
22190-080002	2	24
		25
	8	36
		37
22190-100002	8	38
	11	47
	16	27
22190-120002	11	48
	12	53
	13	16
	16	29

Parts No.	Fig. No.	Ref. No.
22190-160002	10	90
22190-220002	3	9
22217-050000	10	88
22217-060000	10	81
22217-120000	10	93
22272-000040	11	30
22287-120000	11	49
22351-040010	7	7
22351-050010	10	82
22351-060012	4	20
22372-040000	11	50
22451-060000	11	75
22512-070140	6	7
23065-120250	8	40
23065-160800	4	1
23080-014000	8	41
23414-120016	11	77
23876-010000	1	7
23876-030000	9	12
23887-100002	11	51
24101-063034	10	83
24311-000120	4	50
	16	21
24311-000150	11	80
24311-000160	2	12
	8	26
	16	22
		23
24311-000320	2	13
		15
	4	46
	16	24
24311-240100	13	11
24341-000160	10	84
24341-000240	2	27
	16	26
24341-000280	11	52
24341-000500	4	47
	16	25
26014-080752	13	13
26022-050122	10	85
26022-060162	10	86
26106-060102	11	53
		54
		55
26106-060142	11	56
26106-060162	2	28
26106-060202	11	57
26106-060502	9	21
26106-080102	5	22

## Parts No. Index

Parts No.	Fig. No.	Ref. No.
26106-080122	2	16
26106-080142	4	4
	6	13
26106-080162	2	17
		18
	3	11
	4	48
26106-080202	2	19
	13	18
26106-080222	8	27
	9	31
26106-080252	4	37
	5	3
26106-080352	3	18
	8	20
	9	16
26106-080402	5	8
26106-080452	2	20
	3	12
	6	12
26106-080502	4	38
26106-080552	2	21
	9	15
26106-080602	5	15
26106-080802	5	9
26106-100182	5	20
26116-050302	10	87
26116-120252	14	25
26206-100252	3	4
26206-100302	3	5
26216-060302	4	10
26216-080602	5	16
26216-080802	5	14
26226-080182	4	33
26306-080002	2	23 -1
	5	12 -1
		19 -1
26366-060002	4	21
26366-080002	2	23
	5	12
		19
	11	72
26450-060252	8	15
26716-060002	10	89
26716-120002	10	94
26736-120002	11	59 -1
26756-060002	11	58
26776-120002	11	59
		59 A
27241-100000	4	28

Parts No.	Fig. No.	Ref. No.
27241-120000	1	9
27241-300000	1	10
27241-400000	4	9
27310-070001	4	16
719810-01500	2	1
719810-01650	3	14
719810-11521	4	39
719810-11660	4	29
719810-23100	7	23
719812-11700	4	5
719813-01560	1	1
719813-92660	16	1
719824-51480	10	1
729609-53200	12	1
977770-01212	16	30
X2114535200	14	19
X21147867	14	24

Parts No.	Fig. No.	Ref. No.
-----------	----------	----------

Parts No.	Fig. No.	Ref. No.
-----------	----------	----------