

0CB10-M64202EN

Directions for the Parts Catalog.

1. This Parts Catalog shows both standard and optional parts.
2. Parts may change without prior notice.
3. The following is an example of the Parts Catalog format.

REF.	LEV.	PARTS NO.	DESCRIPTION	Q'TY						I	R
				(A)	(B)	(C)	(D)	(E)	(F)		
1	1	729595-51390	FUEL INJECTION PUMP	1	1	1	1	1			1
1-1	1	729595-51391	FUEL INJECTION PUMP	1	1	1	1	1		N	1
		(A=E00185) (B=E00200)									
3	2	26022-060162	SCREW M 6X 16	9	9	9	9	9			
3-1	2	26022-060162	SCREW M 6X 16	4	4	4	4	4		K	
		(A=E00156) (B=E00156) (C=E00156) (D=E00156) (E=E00156)									
4	2	129470-51040	CAMSHAFT	1	1	1	1	1			
5	2	122710-51050	BEARING, ROLLER	2	2	2	2	2			
6	2	129470-51060	RETAINER	1	1	1	1	1			

Remarks
(1) BOOST COMPEMSATOR TYPE. OPTIONAL PART, TO E00155,(4JH-DT, 4JH-DTZ

① Ref. No.

The Ref. No. listed may not be in accordance with the illustration Ref. No.

(Ex.) Illustration No.

List Ref No.

1

1

(Before change)

1-1

(After change)

For interchangeable symbols N, R and K, illustrations for new parts may be abbreviated.

② Lev. (Level)

Level indication

The numbers below indicate the level of relativity towards the main part.

1 ----- Main parts (Assembly parts)

2 ----- Sub component included in " 1 ".

3 ----- Sub component included in " 2 ".

Note) Parts that are not for sale are partially illustrated but not listed.

③ Interchangeability Symbol

When a part change takes place, one of the following interchangeability symbols is indicated beside the part.

Symbol	Interchangeability	Contents note
N	Old $\begin{matrix} \leftarrow \text{Yes} \\ \text{No} \rightarrow \end{matrix}$ New	New Part is interchangeable for Old Part but Old Part is not interchangeable for New Part.
Q	Old $\begin{matrix} \leftarrow \text{No} \\ \text{Yes} \rightarrow \end{matrix}$ New	New Part is not interchangeable for Old Part but Old Part is interchangeable for New Part.
R	Old $\begin{matrix} \leftarrow \text{Yes} \\ \text{Yes} \rightarrow \end{matrix}$ New	New/ Old Parts are both interchangeable.
S	Old $\begin{matrix} \leftarrow \text{No} \\ \text{No} \rightarrow \end{matrix}$ New	New/ Old Parts are both not interchangeable.
W		Part newly added.
Z		Part discontinued.
F		Not interchangeable by a single part but interchangeable together with related parts.
K		Changes only for used parts quantities.

④ Effective Machine No.

When a part changes, the effective Machine No. will be indicated in the (A)-(F) column.

Product Symbol	Product No.	Product Symbol	Product No.
C	Clutch No. Compressor No.	F	Machine No. (Agricultural Equip.)
D	Drive No.	M	Machine No.
E	Engine No.		

Note 1) A date may follow the symbol. (Ex.) 1996.01

Note 2) "XXXXX" and "ZZZZZ" are for parts that could not be predicted or for engine models that could not be identified.

Note 3) (A=E00185) is the E (Engine Serial Number) for the column (A) model (in this case 4JH-DT) after the parts design change.

⑤ Remarks

Figures or alphabets (symbols) are entered in the remarks column.

The comments (remarks) on parts that are indicated at the bottom of the illustration are the same symbols as those stated above.

Contents

OCB10-M64202

Fig. No. Fig. Name
ENGINE SECTION 3TNE88-EBVC

Fig. No. Fig. Name

1. CYLINDER BLOCK
2. GEAR HOUSING
3. FLYWHEEL HOUSING & L.O.SUMP
4. CYLINDER HEAD & BONNET
5. SUCTION MANIFOLD
6. EXHAUST MANIFOLD
7. CAMSHAFT & DRIVE GEAR
8. CRANKSHAFT & PISTON
9. LUB.OIL SYSTEM
10. COOLING WATER SYSTEM
11. FUEL INJECTION PUMP
12. GOVERNOR
13. FUEL INJECTION VALVE
14. FUEL PIPE
15. STARTING MOTOR
16. GENERATOR
17. GASKET SET & TOOLS

Fig.1. CYLINDER BLOCK

(A)=3TNE88-EBVC

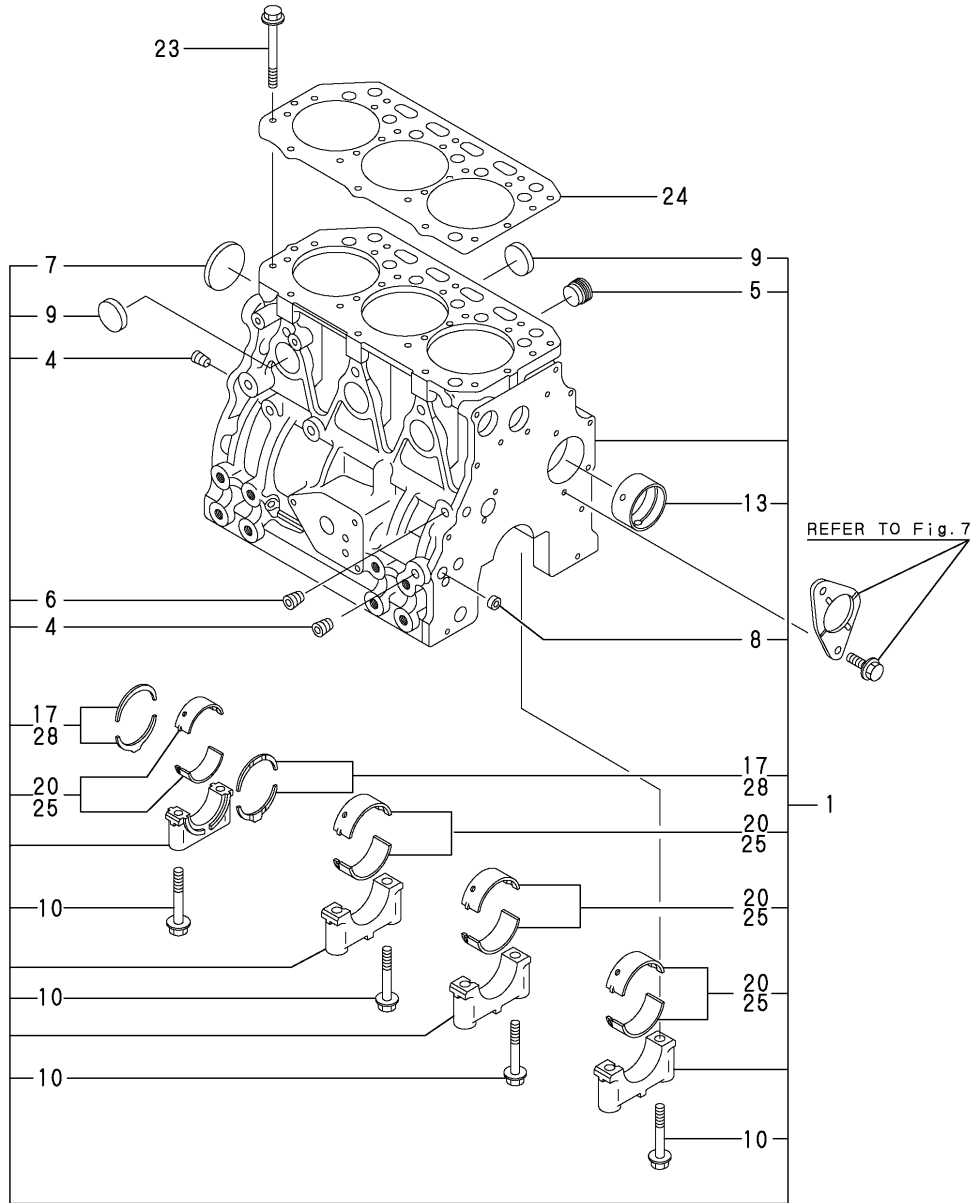
(B)=

(C)=

(D)=

(E)=

(F)=



No.	Lev.	Parts No.	Description	Q'ty						I	R
				(A)	(B)	(C)	(D)	(E)	(F)		
1	1	729001-01560	BLOCK ASSY, CYLINDER	1							
4	3	124160-01910	PLUG, PT1/4	3							
5	3	171051-01921	PLUG, NPTF1	1							
6	3	23876-010000	PLUG, R01	1							
7	3	129001-01250	PLUG, 50	1							
8	3	27241-120000	PLUG, 12	2							
9	3	27241-300000	PLUG 30	6							
10	3	129150-02020	BOLT, METAL CAP	8							
13	3	129795-02411	BUSH, CAMSHAFT	1							
17	2	129150-02930	BEARING, THRUST	2							
20	2	129001-02930	BEARING, MAIN	4							3
23	1	129150-01200	BOLT, HEAD	14							
24	1	129001-01340	GASKET, HEAD	1							
25	1	129150-02870	BEARING, 0.25 US	4							1
28	1	129150-02940	BEARING, THRUST 0.25	1							2

Remarks

- (1) UNDER SIZED (U.S.=0.25) PART.
- (2) OVER SIZED (O.S.=0.25) PART.
- (3) REPAIR PART.

Fig.2. GEAR HOUSING

(A)=3TNE88-EBVC

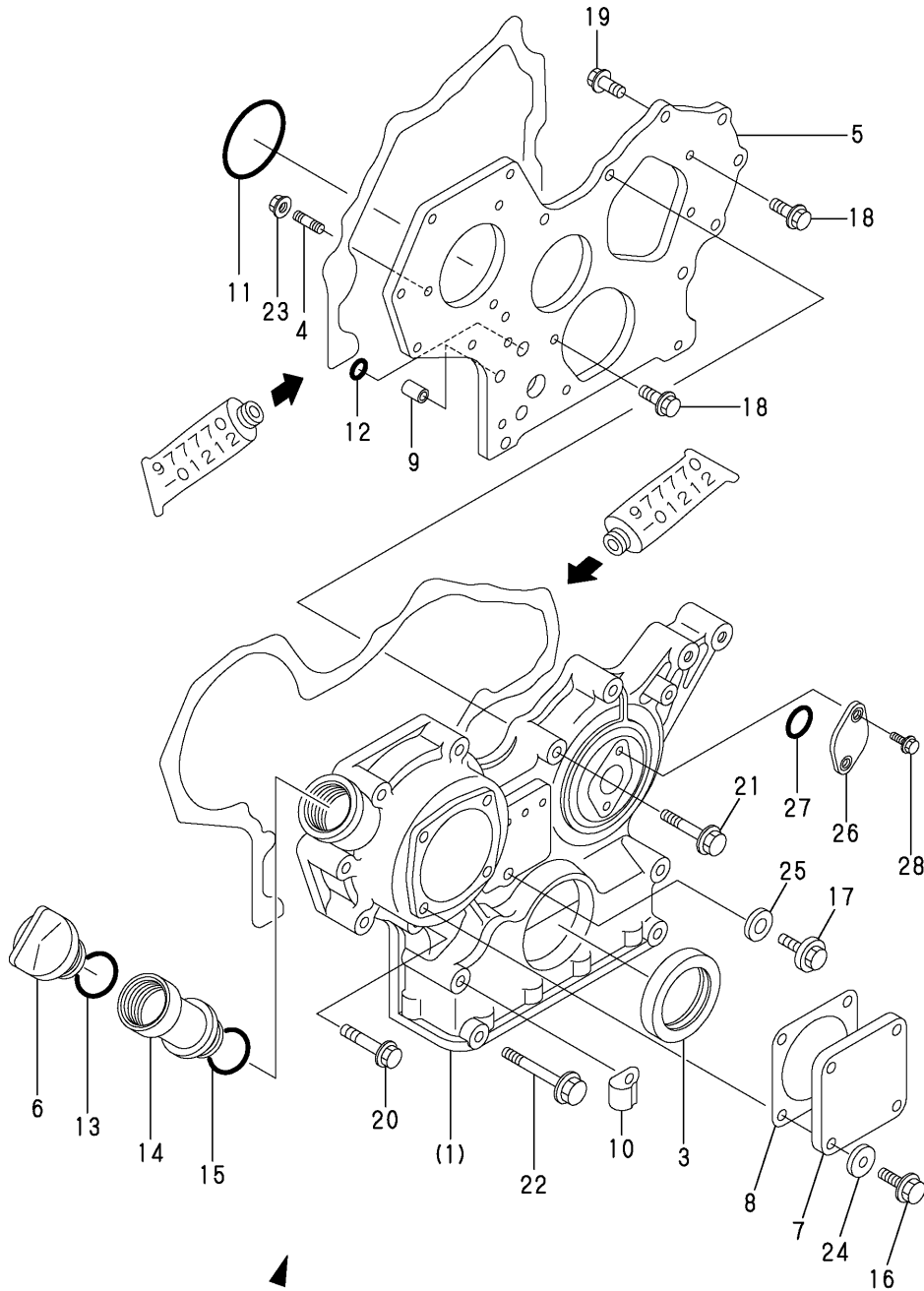
(B)=

(C)=

(D)=

(E)=

(F)=



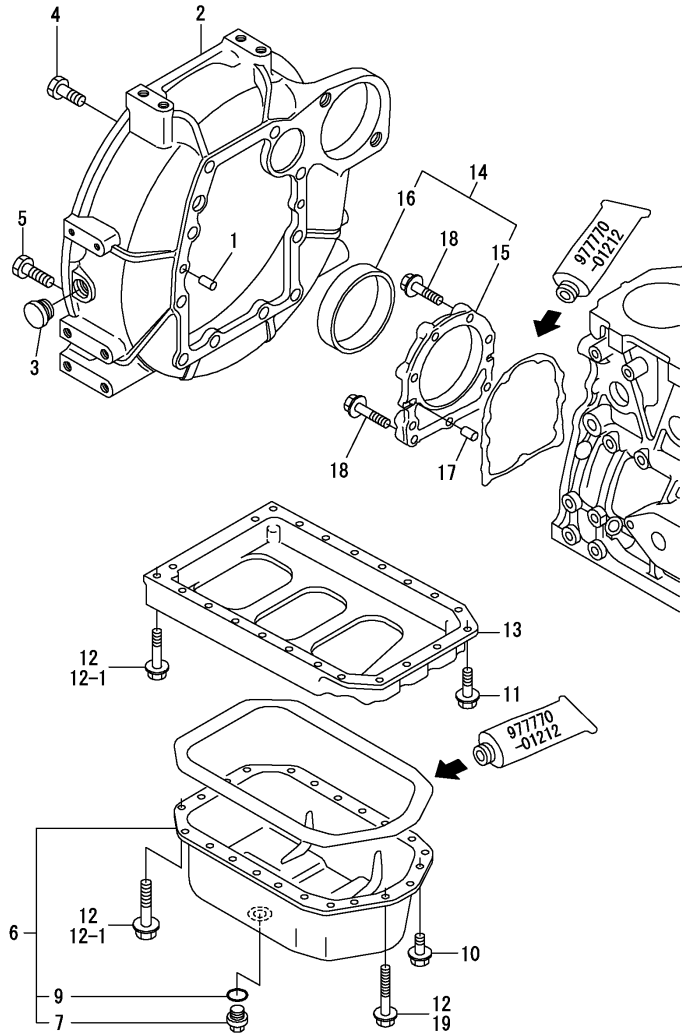
1 inc. (1) ~ 4

No.	Lev.	Parts No.	Description	Q'ty						I	R
				(A)	(B)	(C)	(D)	(E)	(F)		
1	1	719810-01500	CASE ASSY, GEAR	1							
3	2	129795-01800	SEAL, OIL	1							
4	2	121450-01560	STUD, M8X22	3							
5	1	129400-01520	FLANGE, GEAR CASE	1							
6	1	124160-01751	COVER, FILLER	1							
7	1	124240-01871	COVER	1							
8	1	124240-01883	GASKET	1							
9	1	129795-01950	PIPE, KNOCK L=18	2							
10	1	129150-03100	RETAINER, PIPE	1							
11	1	121850-51960	O-RING	1							
12	1	24311-000160	O-RING, 1AP16.0	2							
12-1	1	119609-32040	O-RING, P16	2							R
(A=E/#43043)											
13	1	24311-000320	O-RING, 1AP32.0	1							
14	1	171031-11741	PIPE	1							
15	1	24311-000320	O-RING, 1AP32.0	1							
16	1	26106-080122	BOLT, M8X 12 PLATED	4							
17	1	26106-080162	BOLT, M8X 16 PLATED	1							
18	1	26106-080162	BOLT, M8X 16 PLATED	3							
19	1	26106-080202	BOLT, M8X 20 PLATED	2							
20	1	26106-080452	BOLT, M8X 45 PLATED	6							
21	1	26106-080552	BOLT, M8X 55 PLATED	3							
22	1	129001-91841	BOLT, M8X85	4							
23	1	26366-080002	NUT, M8	3							
23-1	1	26306-080002	NUT, M8	3							N
(A=E/#39070)											
24	1	22190-080002	WASHER, SEAL 6	4							
25	1	22190-080002	WASHER, SEAL 6	1							
26	1	121023-01550	COVER	1							
27	1	24341-000240	O-RING, 1AS24.0	1							
28	1	26106-060162	BOLT, M6X 16 PLATED	2							

Fig.3. FLYWHEEL HOUSING & L.O.SUMP

(A)=3TNE88-EBVC
(B)=
(C)=

(D)=
(E)=
(F)=



No.	Lev.	Parts No.	Description	Q'ty						I	R
				(A)	(B)	(C)	(D)	(E)	(F)		
1	1	129100-01580	PIN, M8X16	2							
2	1	129612-01600	HOUSING, FLYWHEEL	1							
3	1	119620-01750	CAP	1							
4	1	26206-100252	BOLT, M10X 25 PLATED	6							
5	1	26206-100302	BOLT, M10X 30 PLATED	4							
6	1	129136-01780	SUMP ASSY, OIL	1							
7	2	119640-01640	PLUG, DRAIN M22	1							
9	2	22190-220002	WASHER, SEAL 22	1							
10	1	26106-080162	BOLT, M8X 16 PLATED	4							
11	1	26106-080252	BOLT, M8X 25 PLATED	2							
12	1	26106-080452	BOLT, M8X 45 PLATED	20							
12-1	1	26106-080452	BOLT, M8X 45 PLATED	16							K
(A=FROM 1ST)											
13	1	129100-01730	SPACER, OIL SUMP	1							
14	1	129100-01640	CASE ASSY, OIL SEAL	1							
15	2	129150-01650	CASE, OIL SEAL	1							
16	2	129795-01780	SEAL, OIL	1							
17	1	129100-01580	PIN, M8X16	2							
18	1	129486-01670	BOLT, M8X30	9							
19	1	26106-080502	BOLT, M8X 50 PLATED	4							W
(A=FROM 1ST)											

Fig.4. CYLINDER HEAD & BONNET

(A)=3TNE88-EBVC

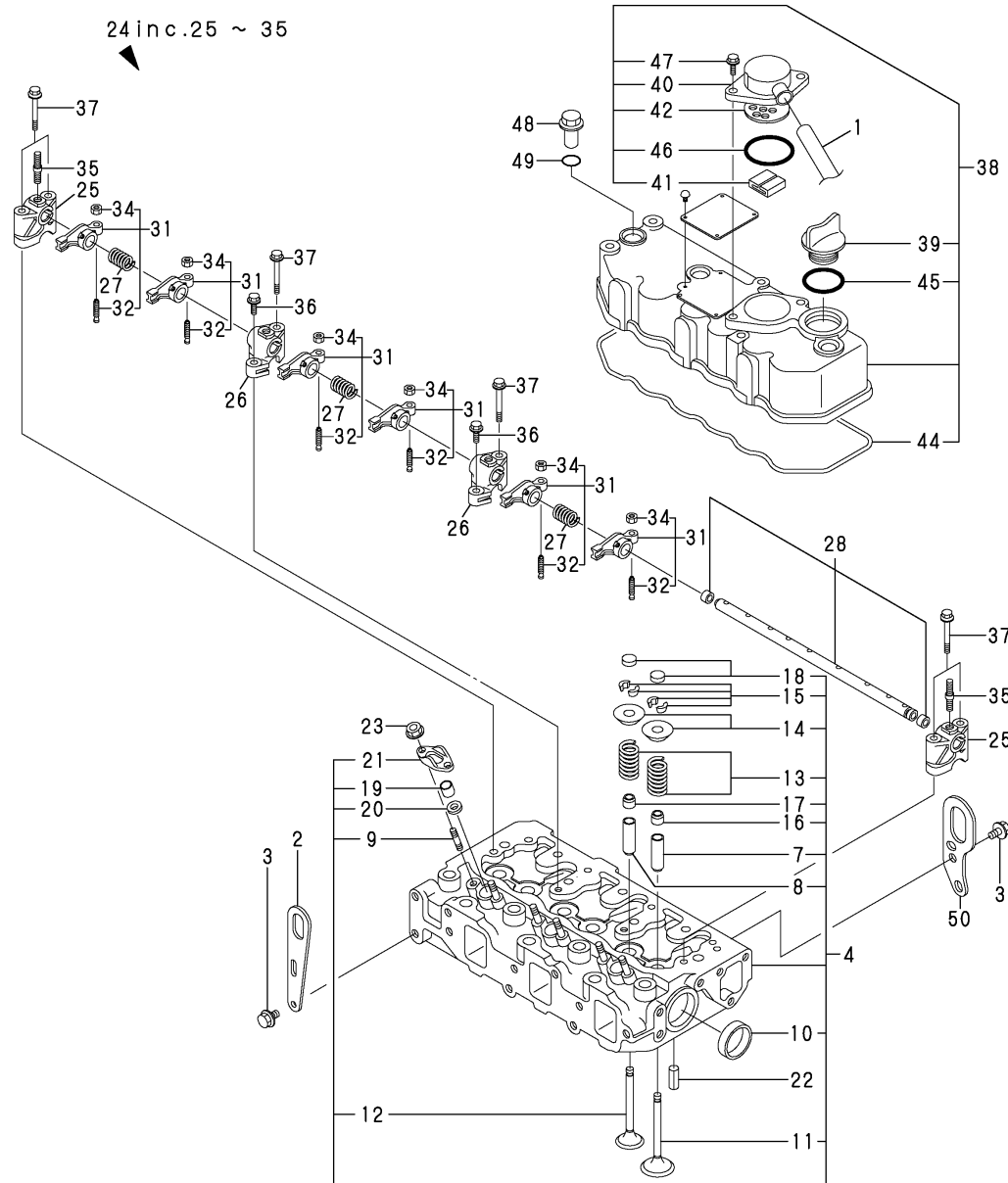
(B)=

(C)=

(D)=

(E)=

(F)=



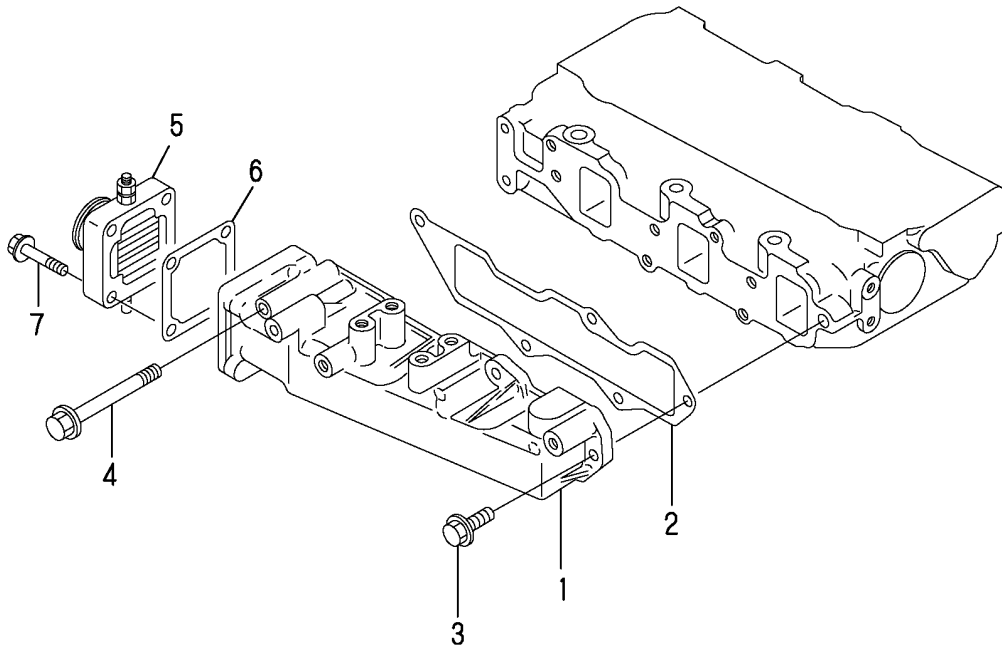
No.	Lev.	Parts No.	Description	Q'ty						I	R
				(A)	(B)	(C)	(D)	(E)	(F)		
1	1	171350-03090	PIPE , BREATHER 900	1							
2	1	124736-07900	LIFTER	1							
3	1	26106-080142	BOLT, M8X 14 PLATED	4							
4	1	129001-11700	HEAD ASSY, CYLINDER	1							
7	3	120130-11860	GUIDE, VALVE	3							1
8	3	129150-11810	GUIDE, VALVE	3							1
9	3	26216-060202	STUD, M6X 20	6							
10	3	27241-400000	PLUG, 40	2							
11	2	129100-11100	VALVE, INTAKE	3							
12	2	129100-11110	VALVE, EXHAUST	3							
13	2	129795-11120	SPRING, VALVE	6							
14	2	129795-11180	RETAINER, SPRING	6							
15	2	27310-080001	COTTER, 8	6							
16	2	121400-11340	SEAL, VALVE STEM	3							
17	2	124460-11340	SEAL, VALVE STEM	3							
18	2	129150-11370	CAP, VALVE	6							
19	2	119625-11870	PROTECTOR, NOZZLE	3							
20	2	119625-11880	SEAT, NOZZLE	3							
21	2	119625-11900	RETAINER, NOZZLE	3							
22	1	22351-060012	PIN, SPRING 6.0X12	2							
23	1	26366-060002	NUT, M6	6							
24	1	129155-11241	SHAFT ASSY, ROCKER	1							
25	2	129155-11260	SUPPORT, ROCKER ARM	2							
26	2	129155-11270	SUPPORT, ROCKER ARM	2							
27	2	129150-11280	SPRING	3							
28	2	129150-11290	SHAFT, ROCKER ARM	1							
31	2	729402-11650	ARM ASSY, ROCKER	6							
32	3	129150-11230	SCREW, VALVE ADJUST	6							
34	3	129150-11750	NUT, M8	6							
35	2	26226-080182	STUD, M8X 18	3							
35-1	2	119802-11280	STUD	3							R
(A=E/#43501)											
36	1	26106-080252	BOLT, M8X 25 PLATED	2							
37	1	26106-080502	BOLT, M8X 50 PLATED	6							
38	1	729132-11521	BONNET ASSY, HEAD	1							
39	2	124160-01751	COVER, FILLER	1							
40	2	129150-03020	COVER, BREATHER	1							
41	2	129150-03070	BAFFLE, BREATHER	1							
42	2	129150-03080	PLATE, BAFFLE	1							
44	2	129150-11310	GASKET, BONNET	1							
45	2	24311-000320	O-RING, 1AP32.0	1							
46	2	24341-000500	O-RING, 1AS50.0	1							
47	2	26106-080162	BOLT, M8X 16 PLATED	2							
48	1	124160-11360	KNOB	3							
49	1	24311-000120	O-RING, 1AP12.0	3							
50	1	119260-07900	LIFTER	1							

Remarks

(1)REPAIR PART

N:Old $\begin{matrix} \leftarrow \text{Yes} \\ \text{No} \end{matrix}$ New, Q:Old $\begin{matrix} \leftarrow \text{No} \\ \text{Yes} \end{matrix}$ New, R:Old $\begin{matrix} \leftarrow \text{Yes} \\ \text{Yes} \end{matrix}$ New, S:Old $\begin{matrix} \leftarrow \text{No} \\ \text{No} \end{matrix}$ New, W:Add, Z:Discontinued, F:Interchangeable by set, K:Q'ty Change

Fig.5. SUCTION MANIFOLD

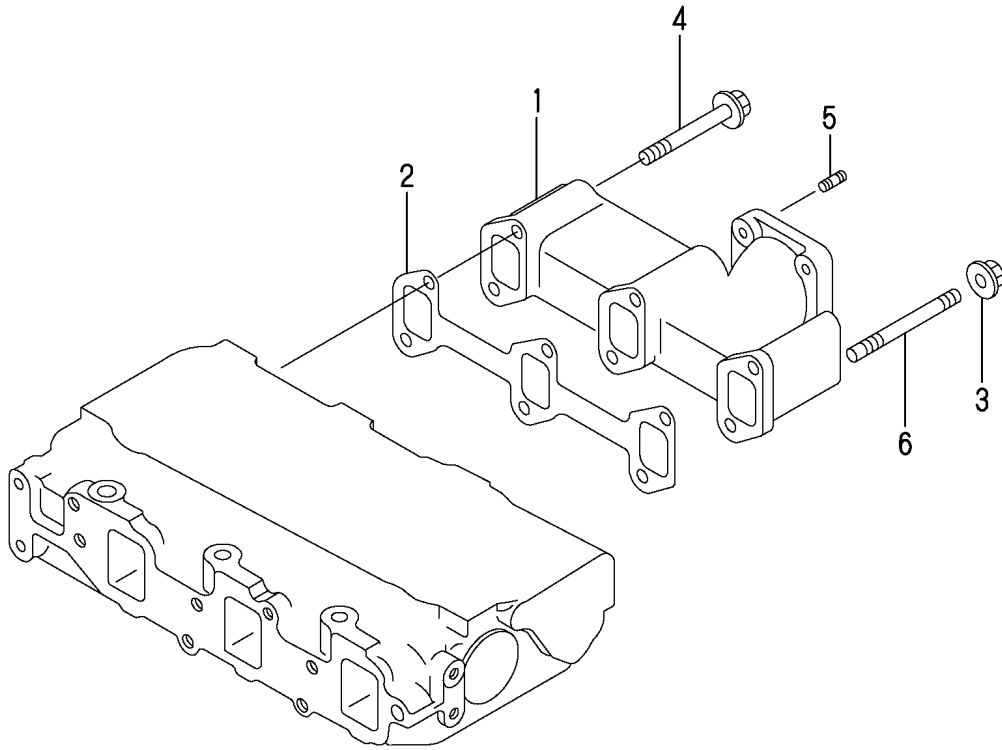


(A)=3TNE88-EBVC
(B)=
(C)=

(D)=
(E)=
(F)=

No.	Lev.	Parts No.	Description	Q'ty						I	R
				(A)	(B)	(C)	(D)	(E)	(F)		
1	1	129001-12100	MANIFOLD, AIR INTAKE	1							
2	1	129001-12110	GASKET, MANIFOLD	1							
3	1	26106-080202	BOLT, M8X 20 PLATED	4							
4	1	26106-080802	BOLT, M8X 80 PLATED	1							
5	1	129120-77501	HEATER	1							
6	1	129150-77511	GASKET	1							
7	1	26106-080352	BOLT, M8X 35 PLATED	4							

Fig.6. EXHAUST MANIFOLD

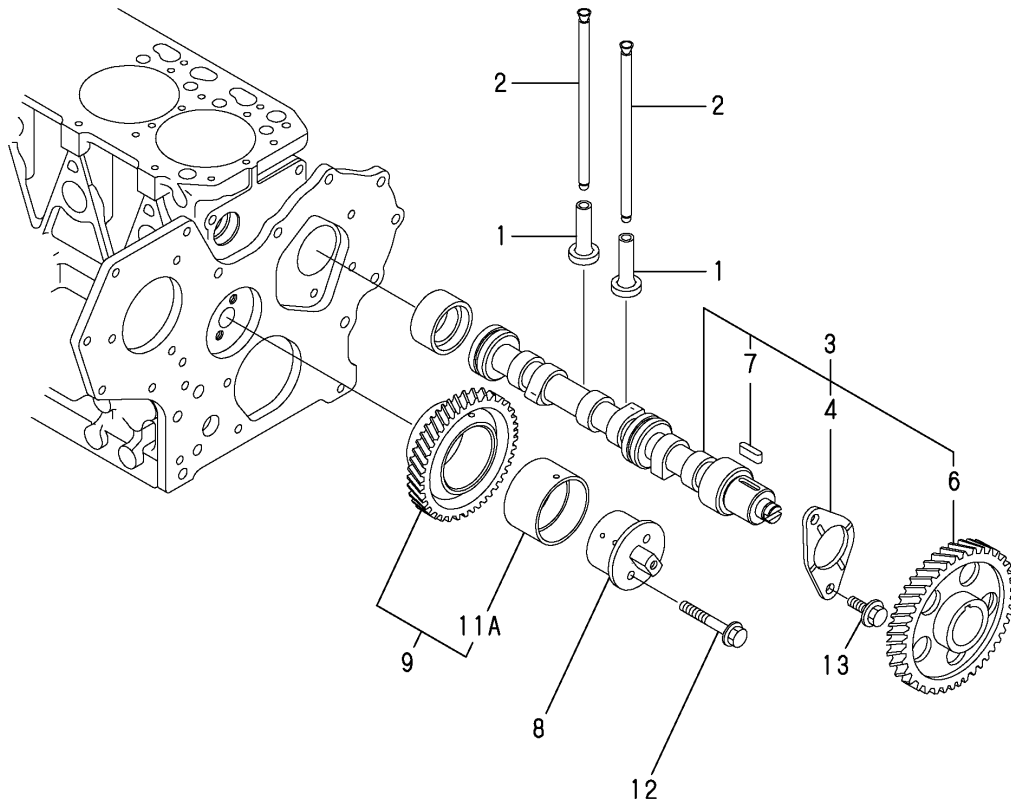


(A)=3TNE88-EBVC
(B)=
(C)=

(D)=
(E)=
(F)=

No.	Lev.	Parts No.	Description	Q'ty						I	R
				(A)	(B)	(C)	(D)	(E)	(F)		
1	1	129100-13110	MANIFOLD, EXHAUST	1							
2	1	129150-13110	GASKET	1							
3	1	26366-080002	NUT, M8	2							
3-1	1	26306-080002 (A=E/#39070)	NUT, M8	2							N
4	1	26106-080802	BOLT, M8X 80 PLATED	4							
4-1	1	123900-13630 (A=E/#48347)	BOLT, M8X80	4							N
5	1	119131-18320	STUD, M8X22	4							
6	1	26216-080802	STUD, M8X 80	2							
6-1	1	123900-13610 (A=E/#48347)	STUD, M8X80	2							N

Fig.7. CAMSHAFT & DRIVE GEAR



(A)=3TNE88-EBVC
(B)=
(C)=

(D)=
(E)=
(F)=

No.	Lev.	Parts No.	Description	Q'ty						I	R
				(A)	(B)	(C)	(D)	(E)	(F)		
1	1	129150-14200	TAPPET	6							
2	1	129150-14400	ROD, PUSH L=178	6							
3	1	129129-14580	CAMSHAFT ASSY	1							
4	2	129150-02450	BEARING, THRUST	1							
6	2	129150-14101	GEAR, CAMSHAFT	1							
7	2	22512-070140	KEY, 7X 14	1							
8	1	129100-25061	SHAFT, IDLE	1							
9	1	129150-25101	GEAR ASSY, IDLE	1							
11A	2	129150-25920	BUSH, IDLE GEAR	1							W 1
(A=FROM 1ST)											
12	1	26106-080452	BOLT, M8X 45 PLATED	2							
13	1	26106-080142	BOLT, M8X 14 PLATED	2							

Remarks

(1)REPAIR PART.

N:Old $\xrightarrow{\text{Yes}}$ New, Q:Old $\xrightarrow{\text{No}}$ New, R:Old $\xrightarrow{\text{Yes}}$ New, S:Old $\xrightarrow{\text{No}}$ New, W:Add, Z:Discontinued, F:Interchangeable by set, K:Q'ty Change

Fig.8. CRANKSHAFT & PISTON

(A)=3TNE88-EBVC

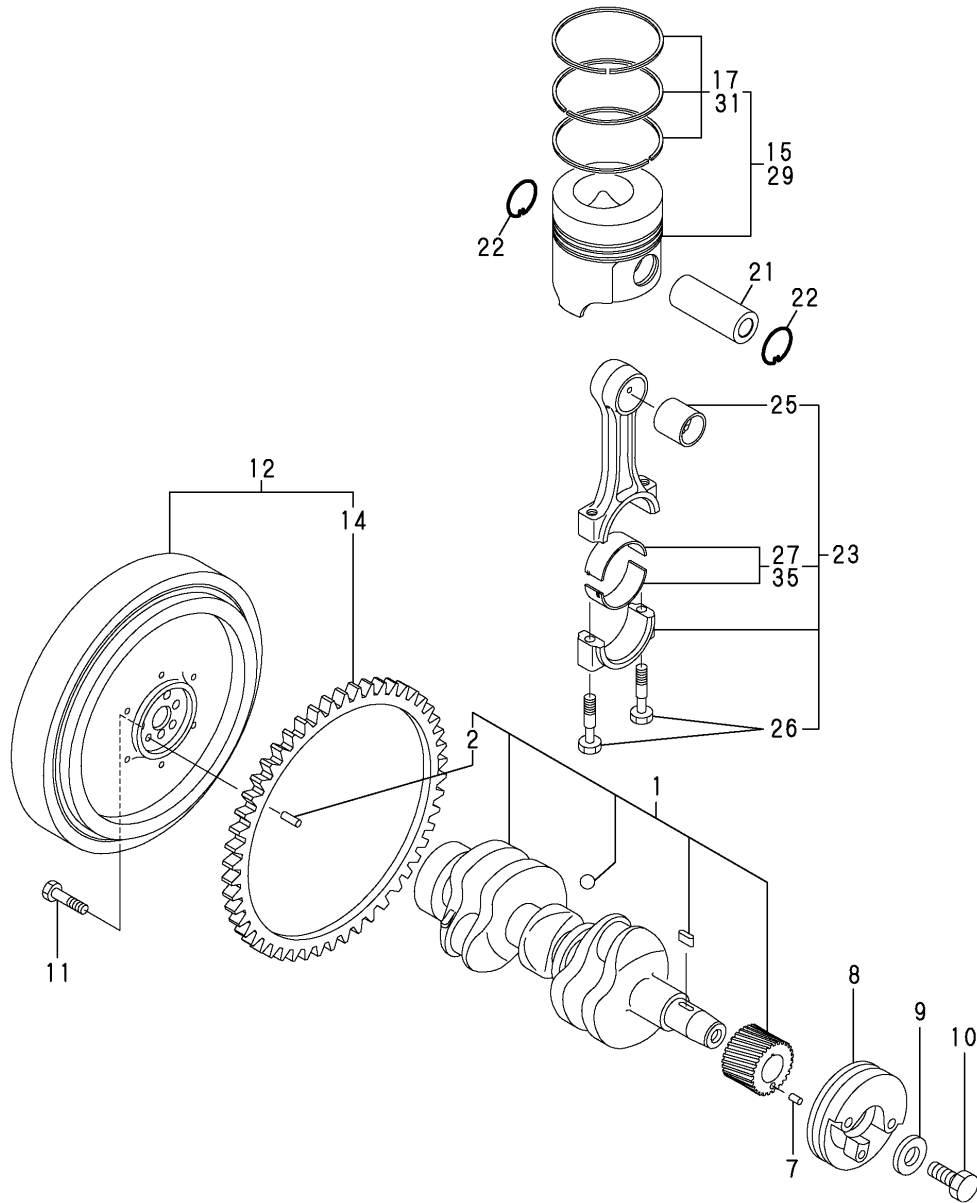
(B)=

(C)=

(D)=

(E)=

(F)=

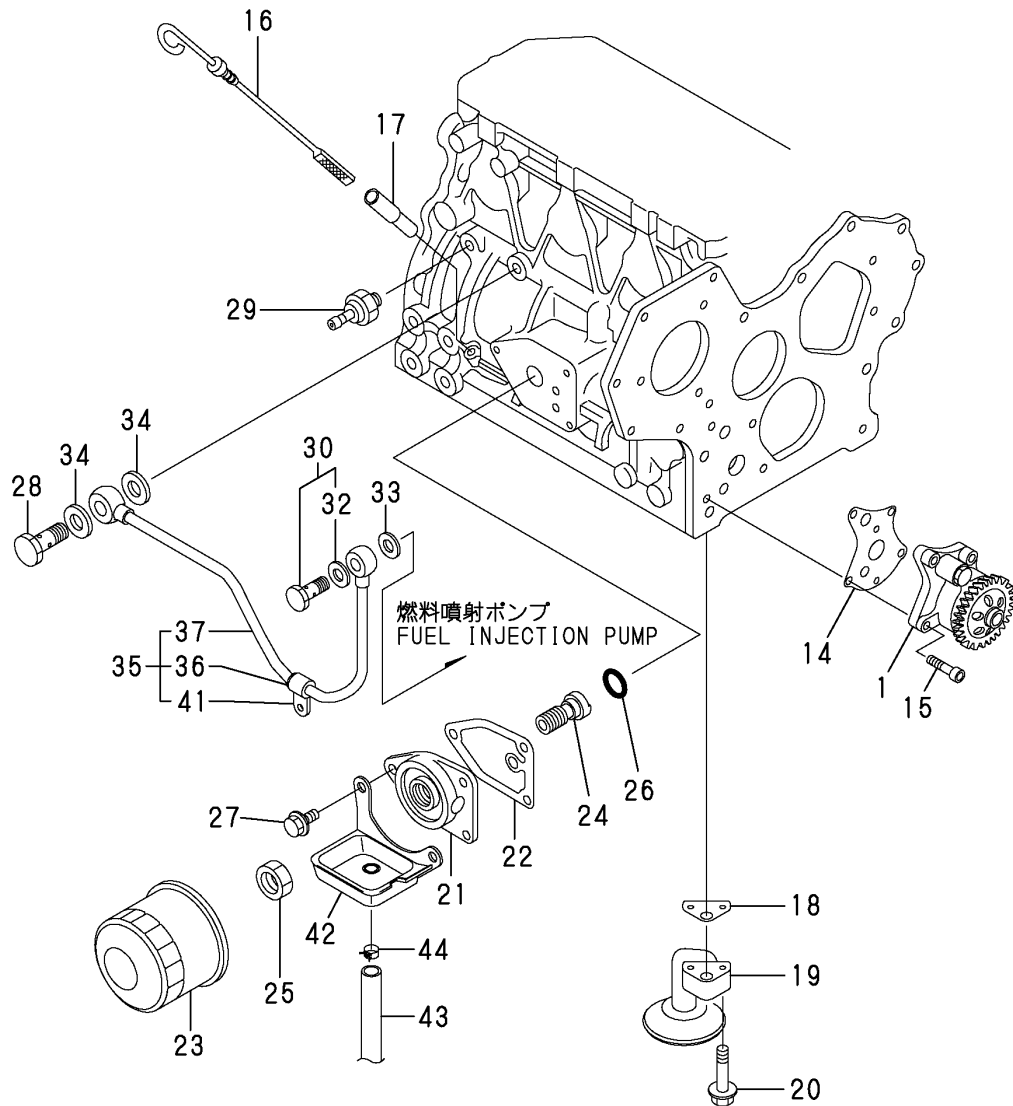


No.	Lev.	Parts No.	Description	Q'ty						I	R
				(A)	(B)	(C)	(D)	(E)	(F)		
1	1	129001-21100	CRANKSHAFT ASSY	1							
2	2	129100-01580	PIN, M8X16	1							
7	1	22351-040010	PIN, SPRING 4.0X10	1							
8	1	171340-21650	V-PULLEY	1							
9	1	129795-21661	WASHER	1							
10	1	121850-21680	BOLT	1							
11	1	121111-21501	BOLT, FLYWHEEL	6							
12	1	129128-21590	FLYWHEEL ASSY	1							
14	2	119865-21600	GEAR, RING	1							
15	1	129001-22081	PISTON ASSY	3							
17	2	129001-22500	RING SET, PISTON	3							
21	1	129202-22300	PIN, PISTON D26 L70	3							
22	1	22252-000260	RING, 26	6							
23	1	729402-23100	ROD ASSY, CONNECTING	3							
25	2	129100-23910	BEARING, PISTON PIN	3							3
26	2	121550-23200	BOLT, CONNECTING ROD	6							
27	2	129150-23600	BEARING, CRANK PIN	3							
29	1	129001-22901	PISTON ASSY, 0.25 OS	3							1
31	2	129001-22950	RING SET, 0.25 OS	3							1
35	1	129150-23610	BEARING, 0.25 US	3							2

Remarks

- (1) OVER SIZED (O.S.=0.25) PART.
- (2) UNDER SIZED (U.S.=0.25) PART.
- (3) REPAIR PART.

Fig.9. LUB.OIL SYSTEM



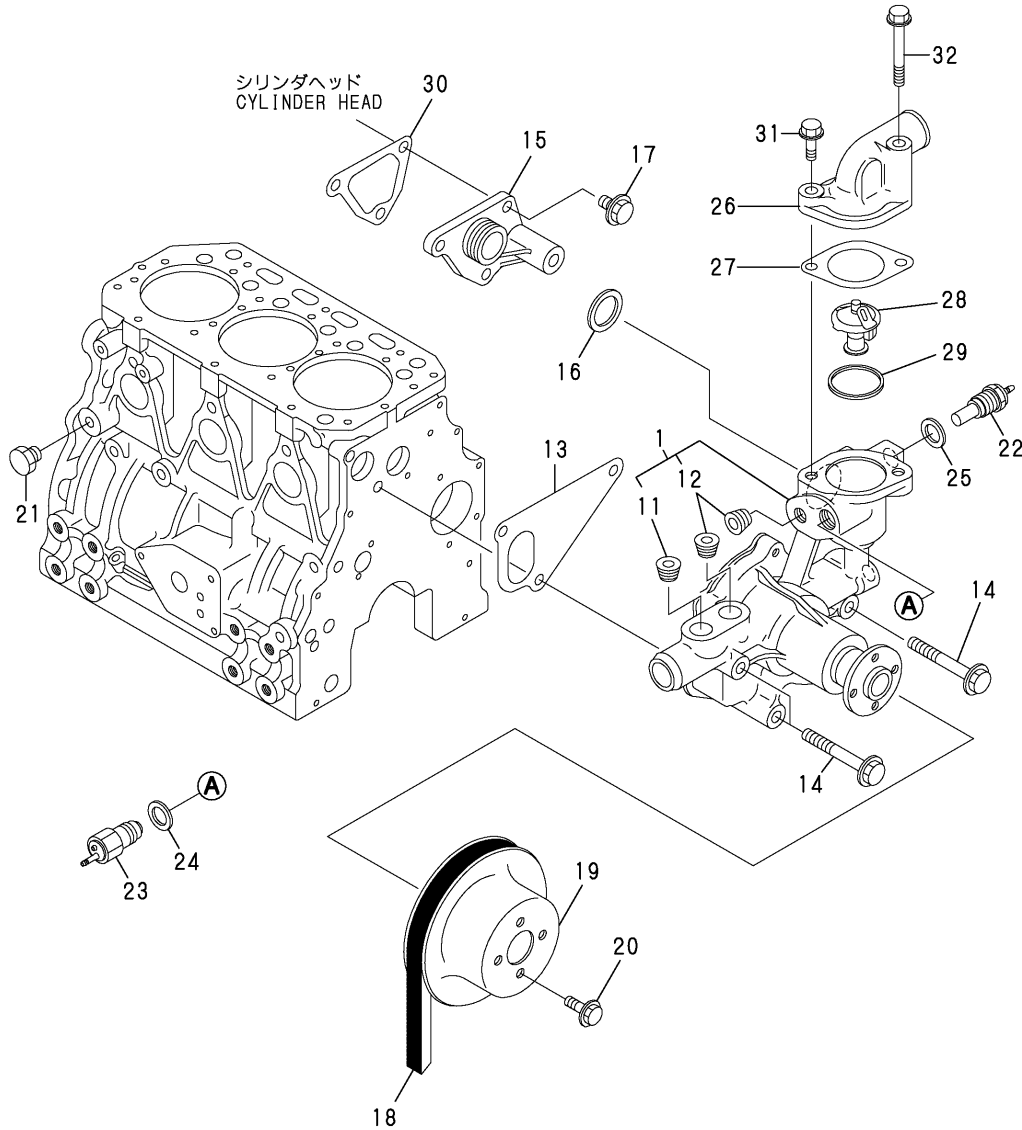
(A)=3TNE88-EBVC
(B)=
(C)=

(D)=
(E)=
(F)=

No.	Lev.	Parts No.	Description	Qty						I	R
				(A)	(B)	(C)	(D)	(E)	(F)		
1	1	129001-32001	PUMP ASSY, OIL	1							
14	1	129150-32020	GASKET, PUMP	1							
15	1	26450-060252	BOLT, M6X 25	4							
16	1	129136-34800	DIPSTICK, OIL	1							
17	1	121520-34810	GUIDE, DIPSTICK	1							
18	1	129150-35041	GASKET	1							
19	1	129100-35301	PIPE ASSY, OIL INLET	1							
20	1	26106-080352	BOLT, M8X 35 PLATED	2							
21	1	129150-35101	BRACKET, STRAINER	1							
22	1	129150-35111	GASKET	1							
23	1	129150-35170	FILTER, LO	1							1
24	1	129001-35300	BOLT, FILTER	1							
25	1	129150-35350	NUT	1							
26	1	24311-000160	O-RING, 1AP16.0	1							
27	1	26106-080222	BOLT, M8X 22 PLATED	3							
28	1	124160-39140	BOLT, PIPE JOINT M10	1							
29	1	114250-39450	SWITCH, 0.5KG	1							
30	1	124550-59830	BOLT ASSY, JOINT M8	1							
32	2	22190-080002	WASHER, SEAL 6	1							
33	1	22190-080002	WASHER, SEAL 6	1							
34	1	22190-100002	WASHER, SEAL 10	2							
35	1	129211-39450	PIPE ASSY, FUEL	1							
36	2	123658-39320	HOSE, RUBBER	1							
37	2	129150-39450	PIPE ASSY, OIL	1							
41	2	23297-080081	CLAMP, A8X 8	1							
42	1	129211-35802	OIL PAN	1							
43	1	23065-120300	PIPE, 12X 300	1							
44	1	23080-014000	CLAMP, 14	1							

Remarks
(1) REPAIR PART.

Fig.10. COOLING WATER SYSTEM



(A)=3TNE88-EBVC
(B)=
(C)=

(D)=
(E)=
(F)=

No.	Lev.	Parts No.	Description	Q'ty						I	R
				(A)	(B)	(C)	(D)	(E)	(F)		
1	1	129001-42003	PUMP ASSY, WATER	1							
11	2	23876-020000	PLUG, R02	1							
12	2	23876-030000	PLUG, R03	2							
13	1	129407-42020	GASKET, WATER PUMP	1							
14	1	26106-080602	BOLT, M8X 60 PLATED	3							
15	1	129001-42040	JOINT	1							
16	1	129486-42140	O-RING, G30	1							
17	1	26106-080162	BOLT, M8X 16 PLATED	3							
18	1	129612-42300	V-BELT, 37.5	1							
18-1	1	129612-42330	V-BELT, A37.5	1							N
		(A=E/#52687)									
19	1	129155-42350	V-PULLEY	1							
20	1	26014-060142	BOLT, M6X 14	4							
21	1	171056-49120	PLUG, DRAIN	1							
22	1	171056-49351	SENSOR	1							
23	1	121250-44901	SWITCH, 110	1							
24	1	124465-44950	GASKET, 16	1							
25	1	129150-49360	GASKET	1							
26	1	124101-49530	COVER, THERMOSTAT	1							
26-1	1	124101-49531	COVER, THERMOSTAT	1							N
		(A=E/#42787)									
27	1	129795-49551	GASKET	1							
28	1	129155-49800	THERMOSTAT, 71	1							
28-1	1	129155-49801	THERMOSTAT, 71	1							R
		(A=E/#51936)									
29	1	129150-49811	GASKET, THERMOSTAT	1							
30	1	129407-49840	GASKET	1							
31	1	26106-080252	BOLT, M8X 25 PLATED	1							
32	1	26106-080652	BOLT, M8X 65 PLATED	1							

Fig.11. FUEL INJECTION PUMP

(A)=3TNE88-EBVC

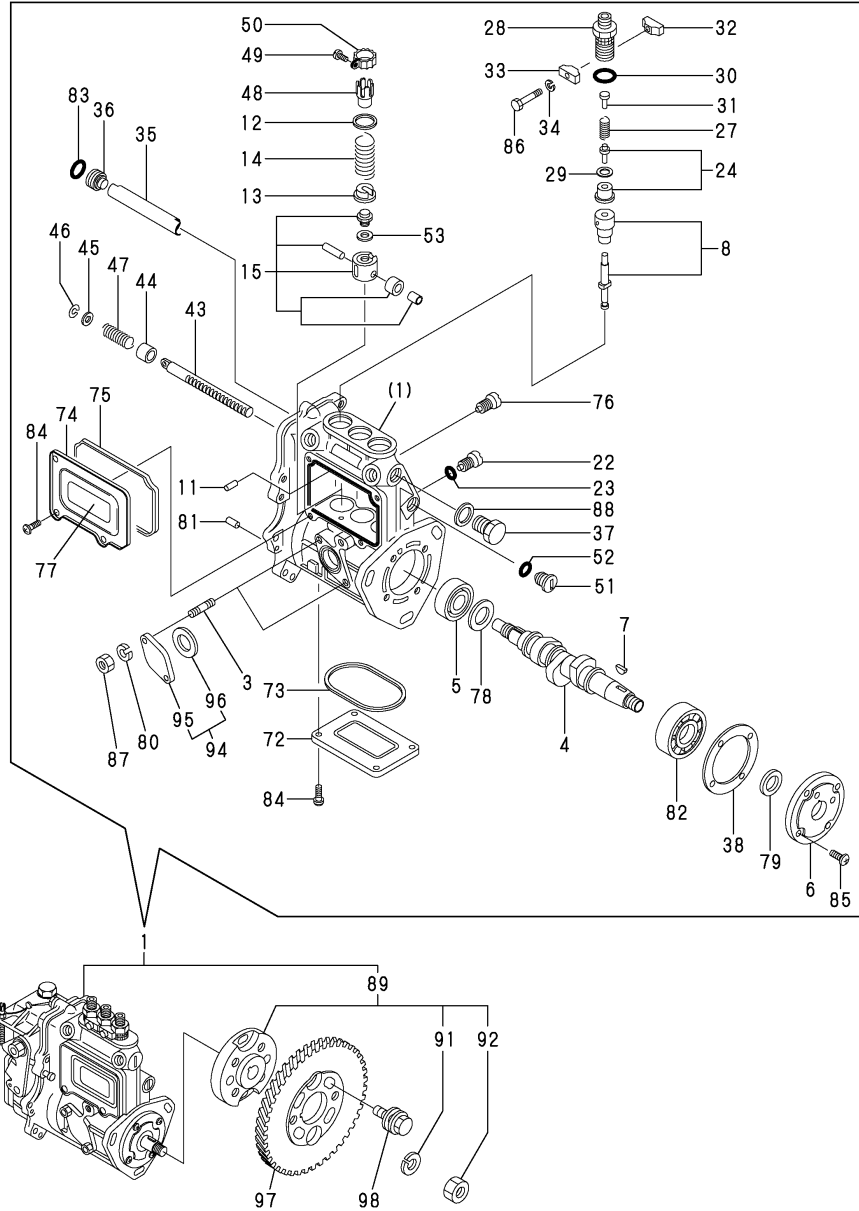
(B)=

(C)=

(D)=

(E)=

(F)=



No.	Lev.	Parts No.	Description	Q'ty						I	R
				(A)	(B)	(C)	(D)	(E)	(F)		
1	1	729030-51480	PUMP ASSY, INJECTION	1							1
3	2	129155-51020	STUD	2							
4	2	119810-51040	CAMSHAFT	1							
5	2	129155-51050	BEARING, 17BM001D	1							
5-1	3	129155-51051	BEARING	1							R
(A=E/#47150)											
6	2	129208-51060	SUPPORT	1							
7	2	122710-51090	KEY	1							
8	2	129506-51100	PLUNGER ASSY	3							
11	2	129155-51140	PIN	3							
12	2	174307-51170	RETAINER, SPRING A	3							
13	2	129155-51180	RETAINER, SPRING	3							
14	2	124950-51190	SPRING, PLUNGER	3							
15	2	129155-51200	TAPPET ASSY	3							
22	2	129155-51270	STOPPER, TAPPET	3							
23	2	129155-51280	O-RING, S6	3							
24	2	129505-51300	VALVE ASSY, DELIVERY	3							
27	2	129155-51320	SPRING, DELIVERY	3							
28	2	129155-51340	RETAINER	3							
29	2	124550-51350	GASKET, DELIVERY	3							
30	2	124550-51370	O-RING	3							
31	2	129155-51370	STOPPER, VALVE	3							
32	2	129155-51380	STOPPER	2							
33	2	129155-51390	STOPPER	2							
34	2	22217-050000	WASHER, SPRING 5	2							
35	2	129155-51400	DEFLECTOR	1							
36	2	129155-51410	BOLT	1							
37	2	129155-51420	PLUG, M16	1							
38	2	129155-51450	SHIM SET, ADJUSTING	1							
43	2	129155-51500	RACK, CONTROL	1							
44	2	129155-51521	BUSH, RACK	1							
45	2	129155-51530	SPACER	1							
46	2	129155-51540	CIRCLIP	1							
47	2	129155-51591	SPRING, RACK	1							
48	2	129155-51550	PINION, CONTROL	3							
49	2	122117-51560	SCREW	3							
49-1	2	129100-51570	SCREW	3							R
(A=E/#37868)											
50	2	174307-51560	PINION	3							
51	2	129155-51570	PLUG, M12	1							
52	2	129155-51580	O-RING	1							
53	2	129155-51600	SHIM SET, ADJUSTING	3							
72	2	129155-51701	COVER	1							
73	2	129155-51711	GASKET	1							
74	2	129155-51751	COVER	1							
75	2	129155-51760	GASKET	1							
75-1	2	129155-51761	GASKET	1							N
(A=E/#52687)											
76	2	129155-51790	STOOPER, RACK	1							
77	2	129156-51910	LABEL, CAUTION	1							
78	2	129155-51930	SPACER, T=3.25	1							

Remarks
 (1)GOVERNOR ASSY(FIG.12)IS
 INCORPORATED IN THIS
 FUEL INJECTION PUMP(REF.NO.1)

Fig.11. FUEL INJECTION PUMP

(A)=3TNE88-EBVC

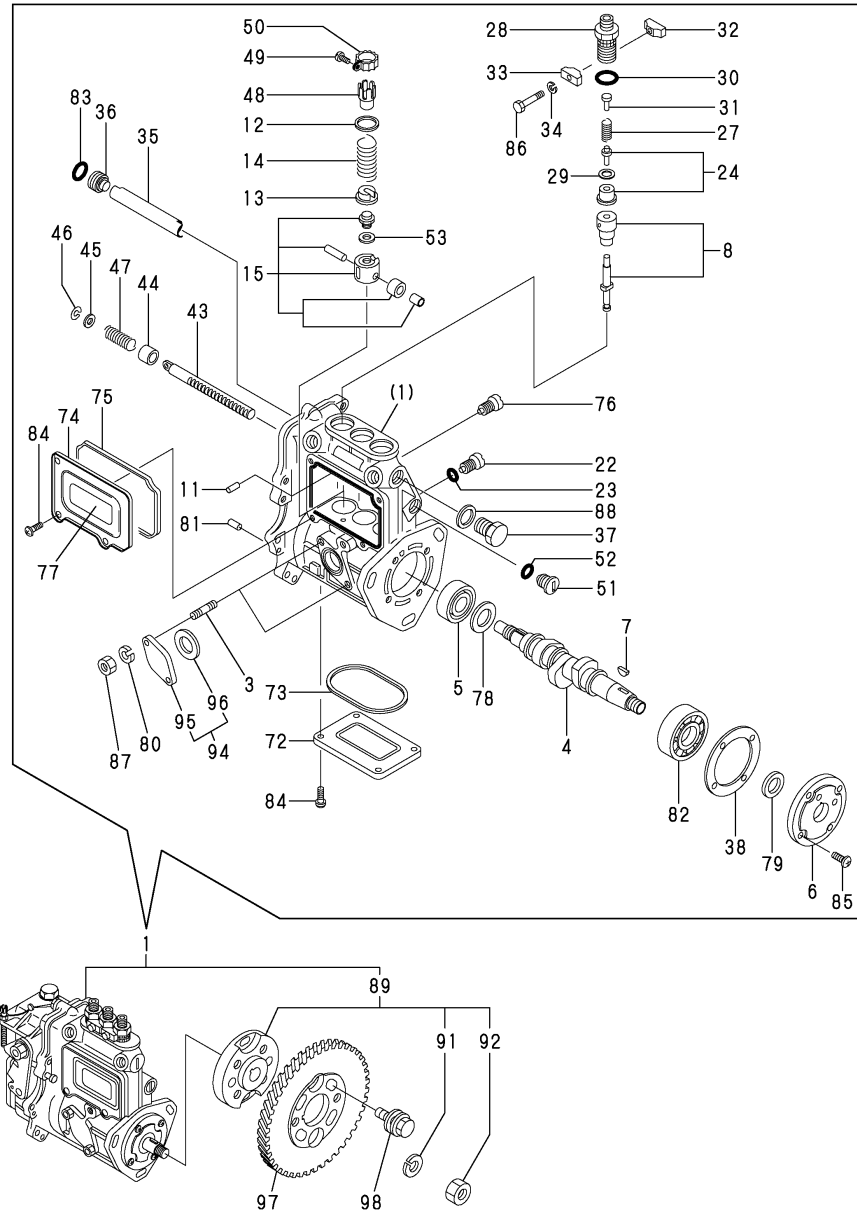
(B)=

(C)=

(D)=

(E)=

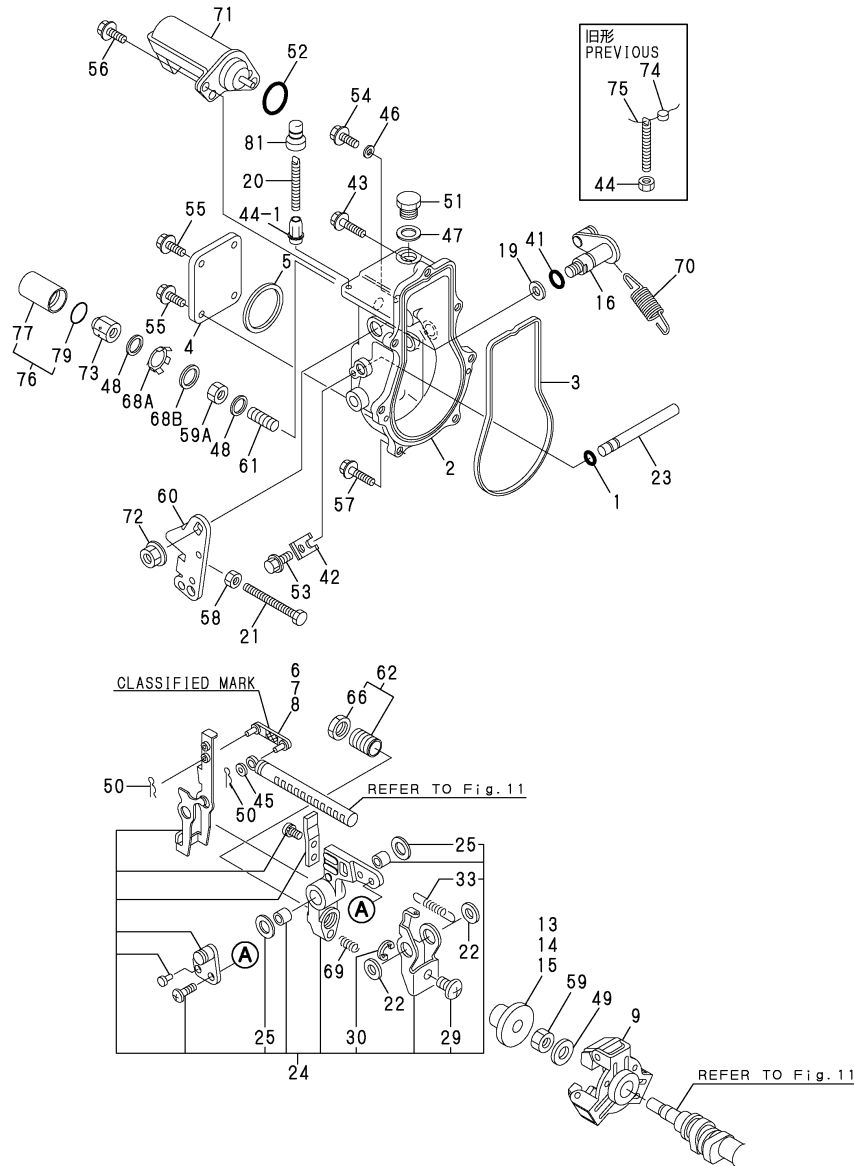
(F)=



No.	Lev.	Parts No.	Description	Q'ty						I	R
				(A)	(B)	(C)	(D)	(E)	(F)		
79	2	129155-51940	SPACER, T=1.5	1							
80	2	22217-060000	WASHER, SPRING 6	2							
81	2	22351-050010	PIN, SPRING 5.0X10	2							
82	2	24101-063034	BEARING, BALL 6303	1							
83	2	24341-000160	O-RING, 1AS16.0	1							
84	2	26022-050122	SCREW, M5X12	8							
85	2	26022-060162	SCREW, M6X16	4							
86	2	26116-050302	BOLT, M5X 30 PLATED	2							
87	2	26716-060002	NUT, M6	2							
88	2	22190-160002	WASHER, SEAL 16	1							
89	2	129208-54500	FLANGE ASSY	1							
91	3	22217-120000	WASHER, SPRING 12	1							
92	3	26716-120002	NUT, M12	1							
94	1	129255-52000	COVER ASSY	1							
95	2	129100-52200	COVER	1							
96	2	129155-52050	GASKET	1							
96-1	2	129155-52051	GASKET	1							N
(A=E/#52687)											
97	1	129150-25931	GEAR, PUMP	1							
98	1	129150-25301	BOLT	4							

Remarks
 (1)GOVERNOR ASSY(FIG.12)IS
 INCORPORATED IN THIS
 FUEL INJECTION PUMP(REF.NO.1)

Fig.12. GOVERNOR



(A)=3TNE88-EBVC

(B)=

(C)=

(D)=

(E)=

(F)=

No.	Lev.	Parts No.	Description	Q'ty						I	R
				(A)	(B)	(C)	(D)	(E)	(F)		
1	2	129155-51280	O-RING, S6	1							
2	2	129052-61010	CASE, GOVERNOR	1							
3	2	129052-61050	GASKET	1							
4	2	129052-61060	COVER, GOVERNOR CASE	1							
5	2	129052-61070	GASKET	1							
6	2	129155-61120	LINK, L=30 MARK 0	1							1
7	2	129155-61130	LINK, L=31 MARK 1	1							1
8	2	129155-61140	LINK, L=30.5 MARK 05	1							1
9	2	129486-61201	WEIGHT ASSY,GOVERNOR	1							
13	2	129155-61341	SLEEVE	1							2
14	2	129155-61350	SLEEVE, L=24.9	1							2
15	2	129155-61360	SLEEVE, L=25.2	1							2
16	2	129100-61400	SHAFT ASSY	1							
19	2	129155-61430	SPACER	1							
20	2	129155-61450	BOLT, LIMITER	1							
21	2	129155-61460	BOLT, IDLE	1							
22	2	129155-61480	SPACER ASSY	2							
23	2	129052-61390	SHAFT	1							
24	2	119908-61501	LEVER ASSY, GOVERNOR	1							
25	3	174307-51700	SHIM SET	2							
29	4	119600-61540	SHIFTER	1							
30	4	22272-000040	RING, E- 4	1							
33	3	129486-61540	SPRING, SET	1							
41	2	129155-61830	O-RING, S10	1							
42	2	119660-61901	RETAINER, SHAFT	1							
43	2	129155-61950	BOLT	1							
44	2	124550-66370	NUT, M6	1							
44-1	2	129209-61370	NUT, M6	1							S
				(A=E/#43975)							
45	2	22117-040000	WASHER, 4	1							
46	2	22190-060003	SEAL WASER 6	1							
47	2	22190-100002	WASHER, SEAL 10	1							
48	2	22190-120002	WASHER, SEAL 12	2							
49	2	22287-120000	WASHER, 12	1							
50	2	22372-040000	PIN, SNAP 4	2							
51	2	23887-100002	PLUG, 10	1							
52	2	24341-000280	O-RING, 1AS28.0	1							
53	2	26106-060102	BOLT, M6X 10 PLATED	1							
54	2	26106-060102	BOLT, M6X 10 PLATED	1							
55	2	26106-060102	BOLT, M6X 10 PLATED	4							
56	2	26106-060142	BOLT, M6X 14 PLATED	2							
57	2	26106-060202	BOLT, M6X 20 PLATED	6							
58	2	26756-060002	NUT, LOCK M6	1							
59	2	26776-120002	NUT, LOCK M12	1							
59A	2	26736-120002	NUT, M12	1							
60	2	129100-61440	LEVER, CONTROL	1							
61	2	120323-61470	BOLT, CONTROL	1							
62	2	171353-61550	ANGLEICH ASSY	1							
62-1	2	119260-66720	ANGLEICH ASSY	1							N
				(A=#34396)							
66	2	129155-61590	NUT, LOCK	1							

Remarks

- (1)SELECTION USE PARTS:CERTAIN THE CERTAIN THE CLASSIFICATION MARK, THEN PLACE YOUR ORDER.
- (2)SELECTION USE PARTS.
- (3)REPAIR PART.

Fig.12. GOVERNOR

(A)=3TNE88-EBVC

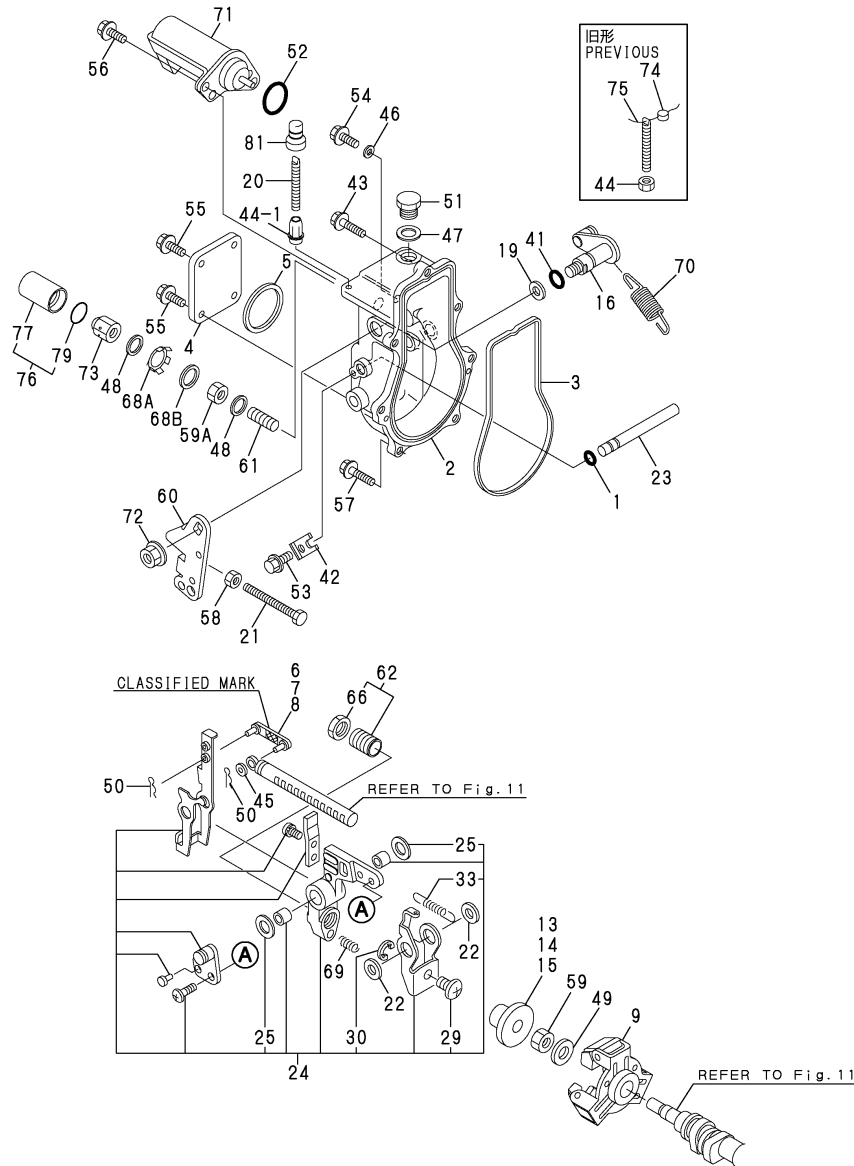
(B)=

(C)=

(D)=

(E)=

(F)=



No.	Lev.	Parts No.	Description	Q'ty						I	R
				(A)	(B)	(C)	(D)	(E)	(F)		
68A	2	129209-61970 (A=E/#43975)	PLATE	1							W
68B	2	23414-120016 (A=E/#43975)	GASKET, 12X1.0	1							W
69	2	129100-61650	SPRING, CONTROLLER	1							
70	2	129489-61700	SPRING, GOVERNOR	1							
71	2	119233-77931	SOLENOID, STOP	1							
71-1	2	119233-77932 (A=E/#41791)	SOLENOID, STOP	1							R
72	2	26366-080002	NUT, M8	1							
72-1	2	26306-080002 (A=E/#39070)	NUT, M8	1							N
73	2	129100-61930	NUT, CAP	1							
73-1	2	129209-61930 (A=E/#43975)	NUT, CAP	1							N
74	1	135210-61090 (A=E/#43501)	LEAD	1							Z
75	1	22451-060000 (A=E/#43501)	WIRE, 0.6	1							Z
76	1	129209-61940 (A=E/#43501)	CASE ASSY	1							W
77	2	129209-61960 (A=FROM 1ST)	CASE	1							W 3
79	2	24311-000150 (A=E/#43501)	O-RING, 1AP15.0	1							W
81	1	119285-66650	CAP, HIGH-IDLE	1							3

Remarks

- (1)SELECTION USE PARTS:CERTAIN THE CERTAIN THE CLASSIFICATION MARK, THEN PLACE YOUR ORDER.
- (2)SELECTION USE PARTS.
- (3)REPAIR PART.

Fig.13. FUEL INJECTION VALVE

(A)=3TNE88-EBVC

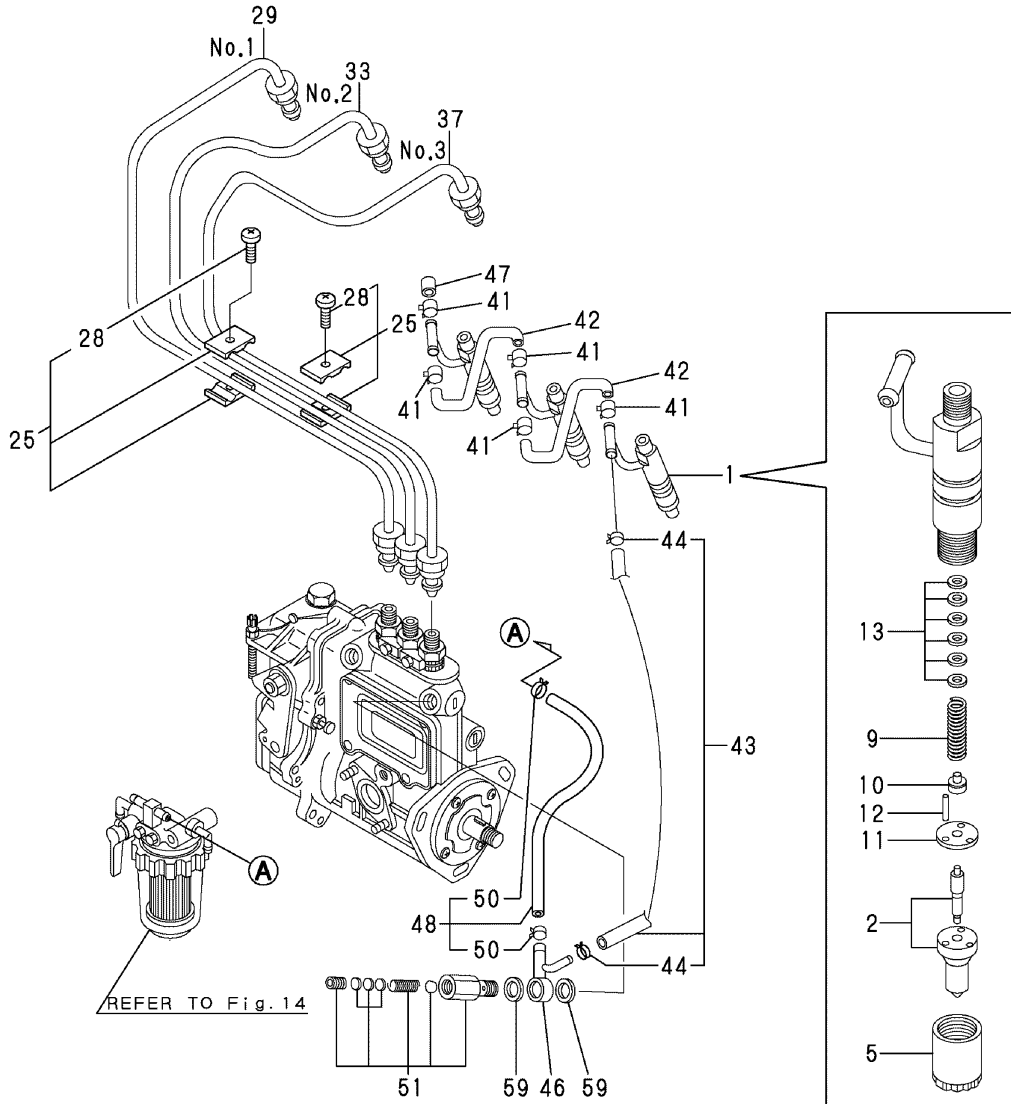
(B)=

(C)=

(D)=

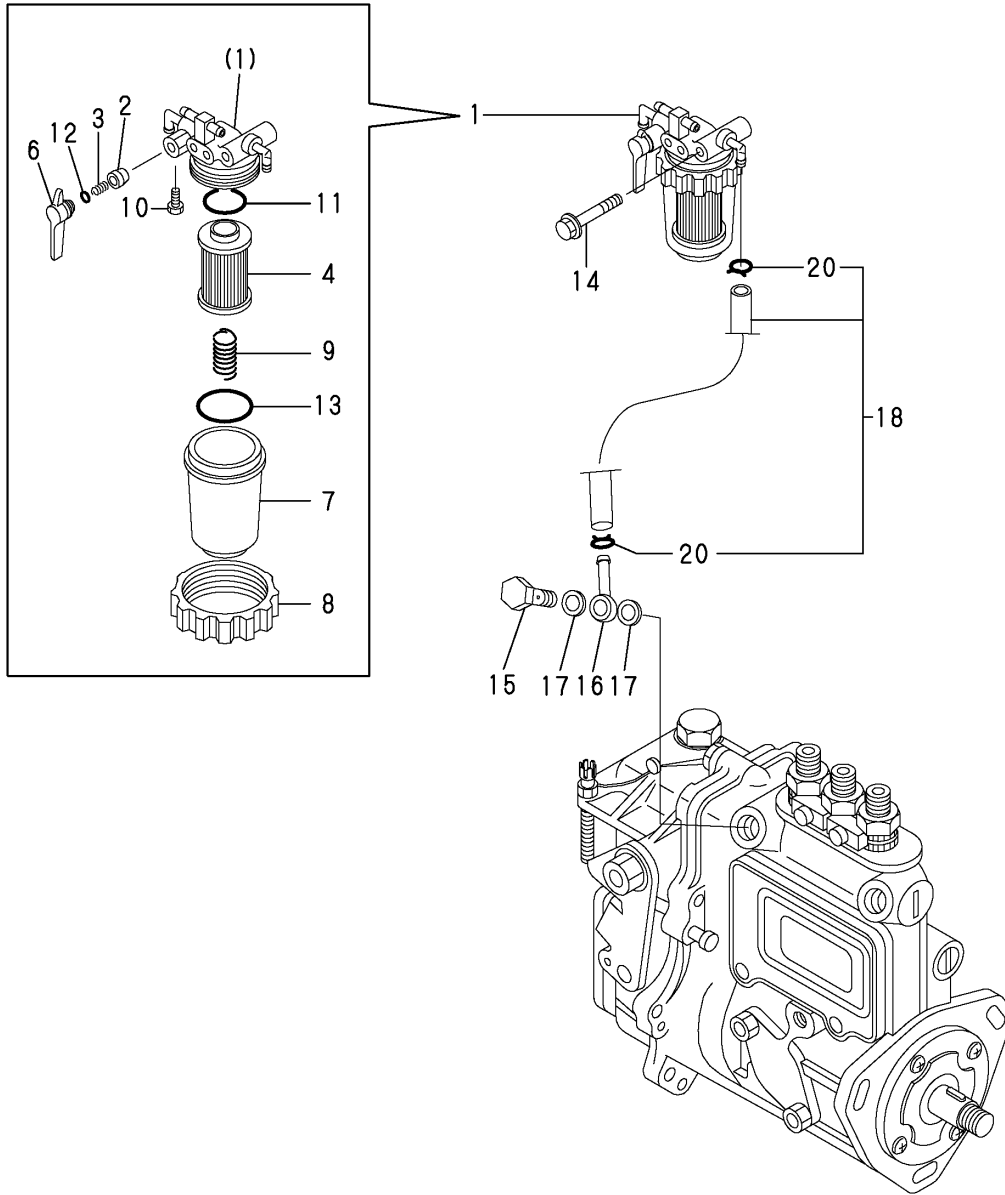
(E)=

(F)=



No.	Lev.	Parts No.	Description	Q'ty						I	R
				(A)	(B)	(C)	(D)	(E)	(F)		
1	1	729503-53100	VALVE ASSY,INJECTION	3							
2	2	129503-53000	VALVE ASSY,INJECTION	3							
5	2	114250-53080	NUT, NOZZLE D16.95	3							
9	2	114250-53120	SPRING, NOZZLE	3							
10	2	114250-53130	SEAT, SPRING	3							
11	2	114250-53140	PLATE	3							
12	2	114250-53210	PIN	6							
13	2	114250-53400	SHIM SET	3							
25	1	119305-59120	RETAINER, PIPE	2							
28	2	129150-59131	BOLT, M4X14	2							
29	1	129001-59910	PIPE ASSY, INJECTION	1							
33	1	129001-59920	PIPE ASSY, INJECTION	1							
37	1	129001-59930	PIPE ASSY, INJECTION	1							
41	1	124066-59100	CLIP, HOSE 8	5							
42	1	121250-59550	PIPE, FUEL D8X120	2							
43	1	119840-59500	PIPE ASSY, RETURN	1							
44	2	124066-59100	CLIP, HOSE 8	2							
46	1	119840-59570	JOINT	1							
47	1	129150-59580	CAP	1							
48	1	129210-59120	PIPE ASSY, FUEL	1							
50	2	124766-59050	CLIP, HOSE 12	2							
51	1	129100-59951	VALVE ASSY, CHECK	1							
51-1	1	119813-59950	VALVE ASSY, CHECK	1							N
(A=E/#52687)											
59	1	22190-120002	WASHER, SEAL 12	2							

Fig.14. FUEL PIPE



(A)=3TNE88-EBVC
(B)=
(C)=

(D)=
(E)=
(F)=

No.	Lev.	Parts No.	Description	Q'ty						I	R
				(A)	(B)	(C)	(D)	(E)	(F)		
1	1	129052-55620	FILTER ASSY, FUEL	1							
2	2	104200-55321	VALVE, TAPER	1							
3	2	104200-55330	SPRING, VALVE	1							
4	2	129100-55650	ELEMENT	1							
6	2	129100-55670	LEVER	1							
7	2	129100-55680	CUP, STRAINER	1							
8	2	129100-55690	RING, RETAINING	1							
9	2	129100-55700	SPRING	1							
10	2	104200-55750	SCREW, M4	1							
11	2	24311-000160	O-RING, 1AP16.0	1							
12	2	24311-240100	O-RING, 1AP10A	1							
13	2	24321-000650	O-RING, 1AG65.0	1							
14	1	26014-080702	BOLT, M8X 70	1							
15	1	103854-39140	BOLT, PIPE JOINT	1							
16	1	101304-59020	JOINT, PIPE 12	1							
17	1	22190-120002	WASHER, SEAL 12	2							
18	1	129210-59040	PIPE ASSY, FUEL	1							
20	2	124766-59050	CLIP, HOSE 12	2							

Fig.15. STARTING MOTOR

(A)=3TNE88-EBVC

(B)=

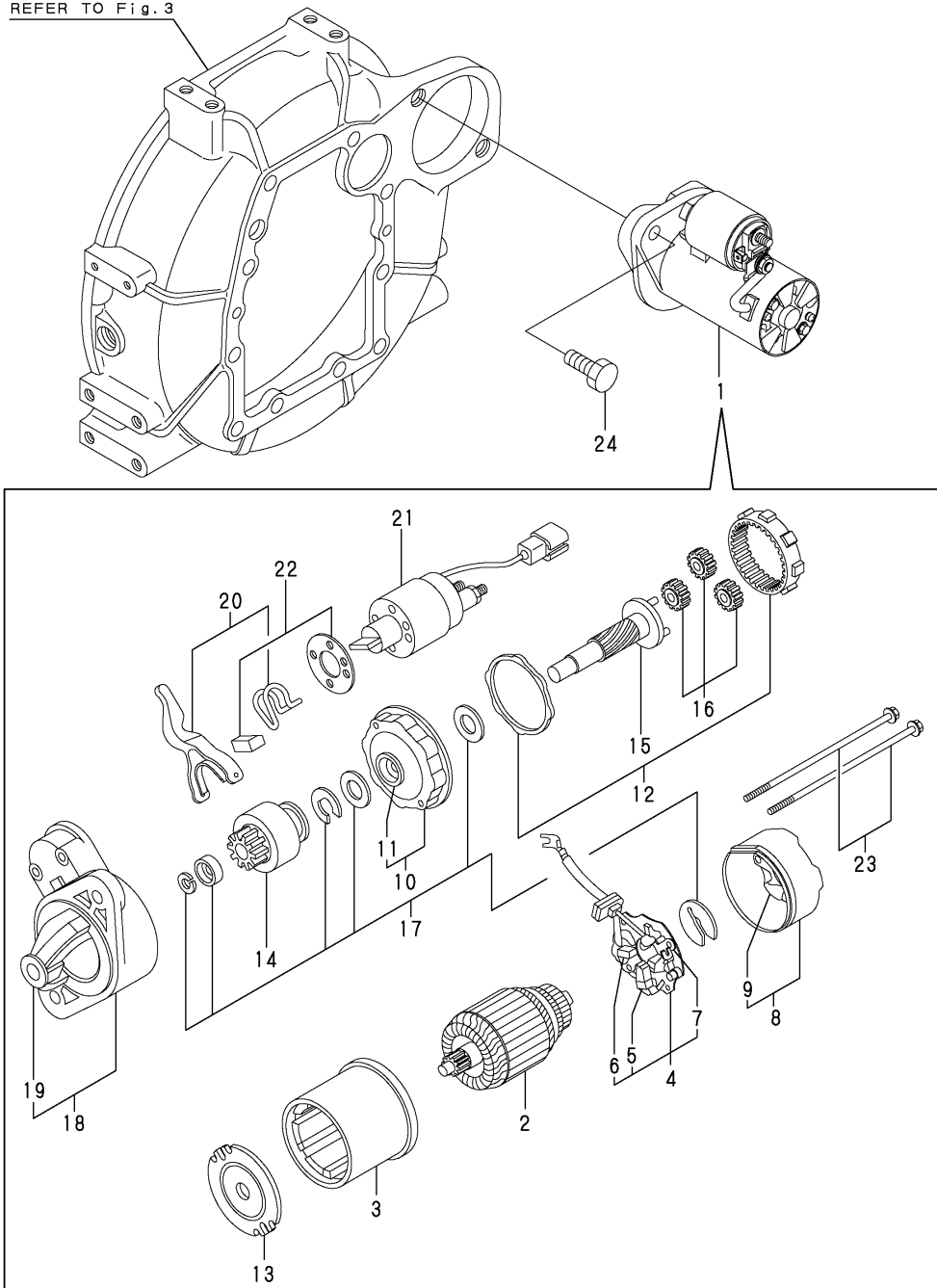
(C)=

(D)=

(E)=

(F)=

REFER TO Fig. 3

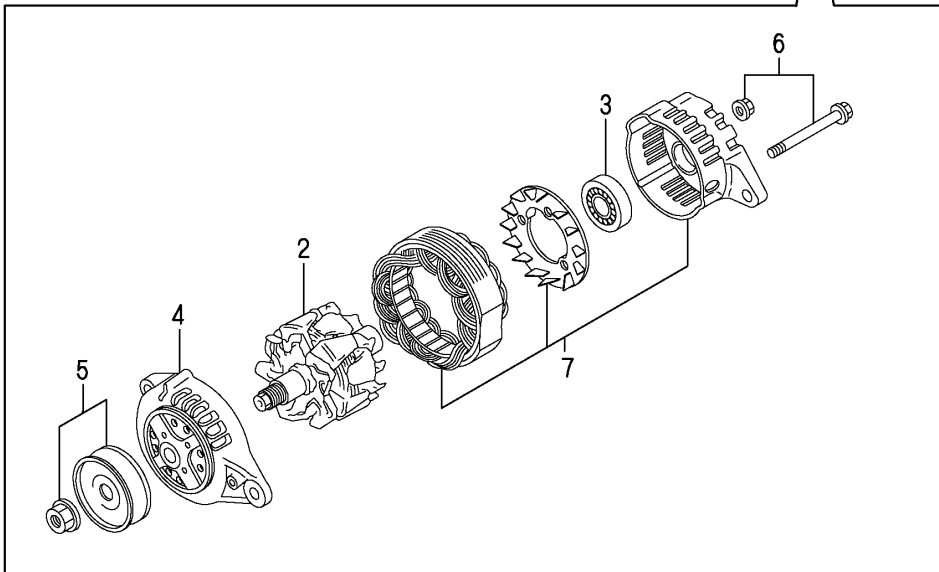
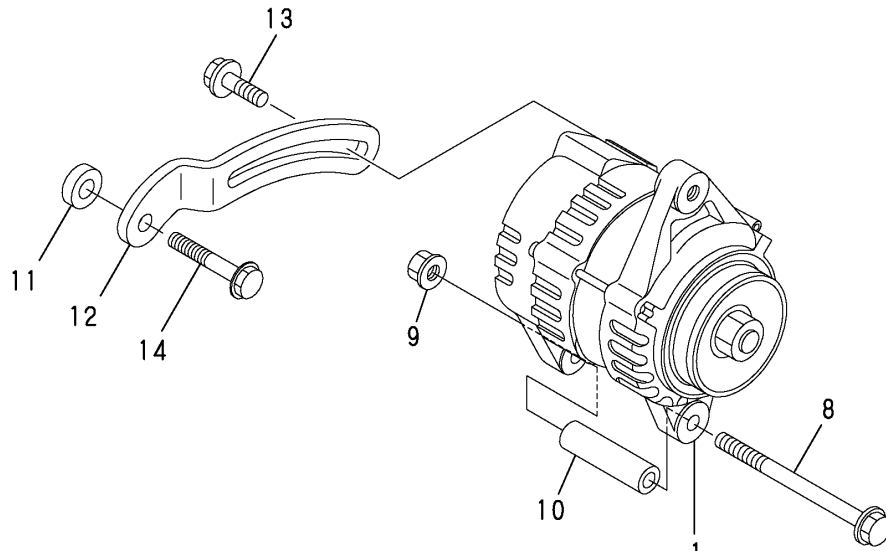


No.	Lev.	Parts No.	Description	Q'ty						I	R
				(A)	(B)	(C)	(D)	(E)	(F)		
1	1	129698-77010	STARTER, 12V1.2KW	1							
2	2	129698-77100	ARMATURE ASSY	1							
3	2	129698-77110	YOKE ASSY	1							
4	2	129698-77120	HOLDER ASSY, BRUSH	1							
5	3	129698-77130	BRUSH	2							
6	3	129698-77140	BRUSH SET	1							
7	3	129698-77150	SPRING, BRUSH	4							
8	2	129698-77160	COVER ASSY	1							
8-1	2	129698-77161	COVER ASSY	1							R
(A=E/#35507)											
9	3	129698-77170	BEARING	1							
10	2	129698-77180	BRACKET	1							
11	3	129698-77190	BRACKET	1							
12	2	129698-77200	GEAR, INTERNAL	1							
13	2	129698-77210	BRACKET	1							
14	2	129698-77220	PINION ASSY	1							
15	2	129698-77230	SHAFT	1							
16	2	129698-77240	GEAR	3							
17	2	129698-77250	WASHER SET	1							
18	2	129698-77260	CASE ASSY	1							
19	3	X2114535200	METAL, STARTER	1							
20	2	129698-77270	LEVER SET, SHIFT	1							
21	2	129698-77020	SWITCH ASSY	1							
22	2	129698-77280	COVER KIT	1							
23	2	124195-77770	BOLT, THROUGH	2							
24	1	26116-120252	BOLT, M12X 25 PLATED	2							

Fig.16. GENERATOR

(A)=3TNE88-EBVC
(B)=
(C)=

(D)=
(E)=
(F)=



No.	Lev.	Parts No.	Description	Q'ty						I	R
				(A)	(B)	(C)	(D)	(E)	(F)		
1	1	119836-77201	GENERATOR	1							
2	2	129612-77700	ROTOR ASSY	1							
3	2	129612-77710	BEARING, BALL	1							
4	2	129612-77730	BRACKET ASSY, FILTER	1							
5	2	129612-77740	PULLEY	1							
6	2	129612-77750	SCREW KIT	1							
7	2	119836-77920	BRACKET ASSY	1							
8	1	129136-77251	BOLT, M8X110	1							
9	1	129612-77260	NUT, ALTERNATOR	1							
10	1	119820-77340	PIECE, DISTANCE	1							
11	1	106500-44810	SPACER	1							
12	1	129211-77330	ADJUSTER	1							
13	1	119810-77340	BOLT, ADJUSTER	1							
14	1	26106-080502	BOLT, M8X 50 PLATED	1							

Fig.17. GASKET SET & TOOLS

(A)=3TNE88-EBVC

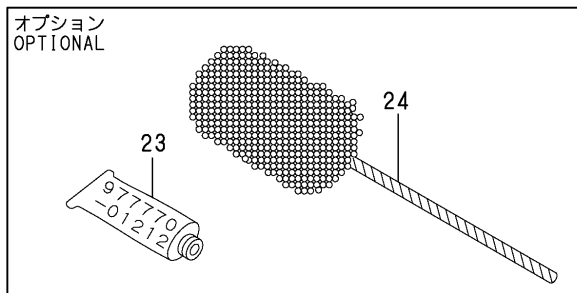
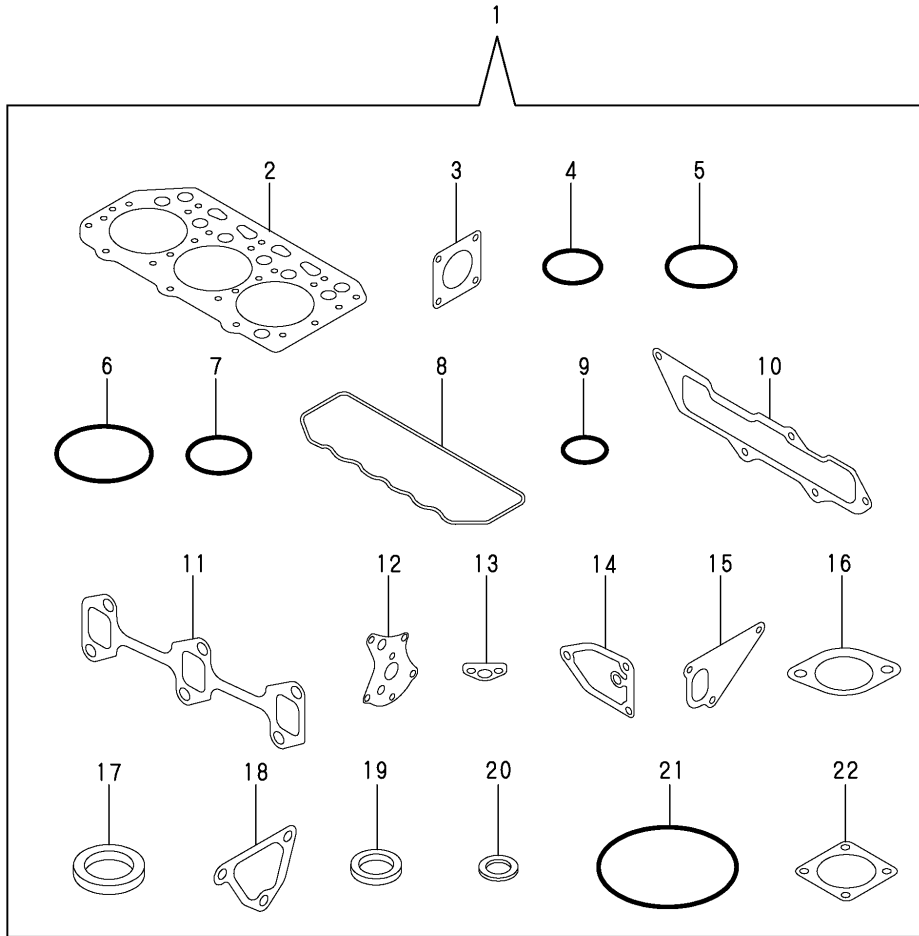
(B)=

(C)=

(D)=

(E)=

(F)=



No.	Lev.	Parts No.	Description	Q'ty						I	R
				(A)	(B)	(C)	(D)	(E)	(F)		
1	1	729030-92760	GASKET SET	1							1
2	2	129001-01340	GASKET, HEAD	1							
3	2	124240-01883	GASKET	1							
4	2	121850-51960	O-RING	1							
5	2	24311-000320	O-RING, 1AP32.0	2							
6	2	24341-000500	O-RING, 1AS50.0	1							
7	2	24311-000320	O-RING, 1AP32.0	1							
8	2	129150-11310	GASKET, BONNET	1							
9	2	24311-000120	O-RING, 1AP12.0	3							
10	2	129001-12110	GASKET, MANIFOLD	1							
11	2	129150-13110	GASKET	1							
12	2	129150-32020	GASKET, PUMP	1							
13	2	129150-35041	GASKET	1							
14	2	129150-35111	GASKET	1							
15	2	129407-42020	GASKET, WATER PUMP	1							
16	2	129795-49551	GASKET	1							
17	2	129150-49811	GASKET, THERMOSTAT	1							
18	2	129407-49840	GASKET	1							
19	2	124465-44950	GASKET, 16	1							
20	2	129150-49360	GASKET	1							
21	2	24321-000650	O-RING, 1AG65.0	1							
22	2	129150-77511	GASKET	1							
23	1	977770-01212	GASKET, LIQUID	1							1
24	1	129400-92420	HONE	1							1

Remarks
(1)OPTIONAL

Parts No. Index

Parts No.	Fig. No.	Ref. No.
101304-59020	14	16
103854-39140	14	15
104200-55321	14	2
104200-55330	14	3
104200-55750	14	10
106500-44810	16	11
114250-39450	9	29
114250-53080	13	5
114250-53120	13	9
114250-53130	13	10
114250-53140	13	11
114250-53210	13	12
114250-53400	13	13
119131-18320	6	5
119233-77931	12	71
119233-77932	12	71 -1
119260-07900	4	50
119260-66720	12	62 -1
119285-66650	12	81
119305-59120	13	25
119600-61540	12	29
119609-32040	2	12 -1
119620-01750	3	3
119625-11870	4	19
119625-11880	4	20
119625-11900	4	21
119640-01640	3	7
119660-61901	12	42
119802-11280	4	35 -1
119810-51040	11	4
119810-77340	16	13
119813-59950	13	51 -1
119820-77340	16	10
119836-77201	16	1
119836-77920	16	7
119840-59500	13	43
119840-59570	13	46
119865-21600	8	14
119908-61501	12	24
120130-11860	4	7
120323-61470	12	61
121023-01550	2	26
121111-21501	8	11
121250-44901	10	23
121250-59550	13	42
121400-11340	4	16
121450-01560	2	4
121520-34810	9	17
121550-23200	8	26
121850-21680	8	10

Parts No.	Fig. No.	Ref. No.
121850-51960	2	11
	17	4
122117-51560	11	49
122710-51090	11	7
123658-39320	9	36
123900-13610	6	6 -1
123900-13630	6	4 -1
124066-59100	13	41
		44
124101-49530	10	26
124101-49531	10	26 -1
124160-01751	2	6
	4	39
124160-01910	1	4
124160-11360	4	48
124160-39140	9	28
124195-77770	15	23
124240-01871	2	7
124240-01883	2	8
	17	3
124460-11340	4	17
124465-44950	10	24
	17	19
124550-51350	11	29
124550-51370	11	30
124550-59830	9	30
124550-66370	12	44
124736-07900	4	2
124766-59050	13	50
	14	20
124950-51190	11	14
129001-01250	1	7
129001-01340	1	24
	17	2
129001-02930	1	20
129001-11700	4	4
129001-12100	5	1
129001-12110	5	2
	17	10
129001-21100	8	1
129001-22081	8	15
129001-22500	8	17
129001-22901	8	29
129001-22950	8	31
129001-32001	9	1
129001-35300	9	24
129001-42003	10	1
129001-42040	10	15
129001-59910	13	29
129001-59920	13	33

Parts No.	Fig. No.	Ref. No.
129001-59930	13	37
129001-91841	2	22
129052-55620	14	1
129052-61010	12	2
129052-61050	12	3
129052-61060	12	4
129052-61070	12	5
129052-61390	12	23
129100-01580	3	1
		17
	8	2
129100-01640	3	14
129100-01730	3	13
129100-11100	4	11
129100-11110	4	12
129100-13110	6	1
129100-23910	8	25
129100-25061	7	8
129100-35301	9	19
129100-51570	11	49 -1
129100-52200	11	95
129100-55650	14	4
129100-55670	14	6
129100-55680	14	7
129100-55690	14	8
129100-55700	14	9
129100-59951	13	51
129100-61400	12	16
129100-61440	12	60
129100-61650	12	69
129100-61930	12	73
129120-77501	5	5
129128-21590	8	12
129129-14580	7	3
129136-01780	3	6
129136-34800	9	16
129136-77251	16	8
129150-01200	1	23
129150-01650	3	15
129150-02020	1	10
129150-02450	7	4
129150-02870	1	25
129150-02930	1	17
129150-02940	1	28
129150-03020	4	40
129150-03070	4	41
129150-03080	4	42
129150-03100	2	10
129150-11230	4	32
129150-11280	4	27

Parts No.	Fig. No.	Ref. No.
129150-11290	4	28
129150-11310	4	44
	17	8
129150-11370	4	18
129150-11750	4	34
129150-11810	4	8
129150-13110	6	2
	17	11
129150-14101	7	6
129150-14200	7	1
129150-14400	7	2
129150-23600	8	27
129150-23610	8	35
129150-25101	7	9
129150-25301	11	98
129150-25920	7	11 A
129150-25931	11	97
129150-32020	9	14
	17	12
129150-35041	9	18
	17	13
129150-35101	9	21
129150-35111	9	22
	17	14
129150-35170	9	23
129150-35350	9	25
129150-39450	9	37
129150-49360	10	25
	17	20
129150-49811	10	29
	17	17
129150-59131	13	28
129150-59580	13	47
129150-77511	5	6
	17	22
129155-11241	4	24
129155-11260	4	25
129155-11270	4	26
129155-42350	10	19
129155-49800	10	28
129155-49801	10	28 -1
129155-51020	11	3
129155-51050	11	5
129155-51051	11	5 -1
129155-51140	11	11
129155-51180	11	13
129155-51200	11	15
129155-51270	11	22
129155-51280	11	23
	12	1

Parts No. Index

Parts No.	Fig. No.	Ref. No.
129155-51320	11	27
129155-51340	11	28
129155-51370	11	31
129155-51380	11	32
129155-51390	11	33
129155-51400	11	35
129155-51410	11	36
129155-51420	11	37
129155-51450	11	38
129155-51500	11	43
129155-51521	11	44
129155-51530	11	45
129155-51540	11	46
129155-51550	11	48
129155-51570	11	51
129155-51580	11	52
129155-51591	11	47
129155-51600	11	53
129155-51701	11	72
129155-51711	11	73
129155-51751	11	74
129155-51760	11	75
129155-51761	11	75 -1
129155-51790	11	76
129155-51930	11	78
129155-51940	11	79
129155-52050	11	96
129155-52051	11	96 -1
129155-61120	12	6
129155-61130	12	7
129155-61140	12	8
129155-61341	12	13
129155-61350	12	14
129155-61360	12	15
129155-61430	12	19
129155-61450	12	20
129155-61460	12	21
129155-61480	12	22
129155-61590	12	66
129155-61830	12	41
129155-61950	12	43
129156-51910	11	77
129202-22300	8	21
129208-51060	11	6
129208-54500	11	89
129209-61370	12	44 -1
129209-61930	12	73 -1
129209-61940	12	76
129209-61960	12	77
129209-61970	12	68 A

Parts No.	Fig. No.	Ref. No.
129210-59040	14	18
129210-59120	13	48
129211-35802	9	42
129211-39450	9	35
129211-77330	16	12
129255-52000	11	94
129400-01520	2	5
129400-92420	17	24
129407-42020	10	13
	17	15
129407-49840	10	30
	17	18
129486-01670	3	18
129486-42140	10	16
129486-61201	12	9
129486-61540	12	33
129489-61700	12	70
129503-53000	13	2
129505-51300	11	24
129506-51100	11	8
129612-01600	3	2
129612-42300	10	18
129612-42330	10	18 -1
129612-77260	16	9
129612-77700	16	2
129612-77710	16	3
129612-77730	16	4
129612-77740	16	5
129612-77750	16	6
129698-77010	15	1
129698-77020	15	21
129698-77100	15	2
129698-77110	15	3
129698-77120	15	4
129698-77130	15	5
129698-77140	15	6
129698-77150	15	7
129698-77160	15	8
129698-77161	15	8 -1
129698-77170	15	9
129698-77180	15	10
129698-77190	15	11
129698-77200	15	12
129698-77210	15	13
129698-77220	15	14
129698-77230	15	15
129698-77240	15	16
129698-77250	15	17
129698-77260	15	18
129698-77270	15	20

Parts No.	Fig. No.	Ref. No.
129698-77280	15	22
129795-01780	3	16
129795-01800	2	3
129795-01950	2	9
129795-02411	1	13
129795-11120	4	13
129795-11180	4	14
129795-21661	8	9
129795-49551	10	27
	17	16
135210-61090	12	74
171031-11741	2	14
171051-01921	1	5
171056-49120	10	21
171056-49351	10	22
171340-21650	8	8
171350-03090	4	1
171353-61550	12	62
174307-51170	11	12
174307-51560	11	50
174307-51700	12	25
22117-040000	12	45
22190-060003	12	46
22190-080002	2	24
		25
	9	32
		33
22190-100002	9	34
	12	47
22190-120002	12	48
	13	59
	14	17
22190-160002	11	88
22190-220002	3	9
22217-050000	11	34
22217-060000	11	80
22217-120000	11	91
22252-000260	8	22
22272-000040	12	30
22287-120000	12	49
22351-040010	8	7
22351-050010	11	81
22351-060012	4	22
22372-040000	12	50
22451-060000	12	75
22512-070140	7	7
23065-120300	9	43
23080-014000	9	44
23297-080081	9	41
23414-120016	12	68 B

Parts No.	Fig. No.	Ref. No.
23876-010000	1	6
23876-020000	10	11
23876-030000	10	12
23887-100002	12	51
24101-063034	11	82
24311-000120	4	49
	17	9
24311-000150	12	79
24311-000160	2	12
	9	26
	14	11
24311-000320	2	13
		15
	4	45
	17	5
		7
24311-240100	14	12
24321-000650	14	13
	17	21
24341-000160	11	83
24341-000240	2	27
24341-000280	12	52
24341-000500	4	46
	17	6
26014-060142	10	20
26014-080702	14	14
26022-050122	11	84
26022-060162	11	85
26106-060102	12	53
		54
		55
26106-060142	12	56
26106-060162	2	28
26106-060202	12	57
26106-080122	2	16
26106-080142	4	3
	7	13
26106-080162	2	17
		18
	3	10
	4	47
	10	17
26106-080202	2	19
	5	3
26106-080222	9	27
26106-080252	3	11
	4	36
	10	31
26106-080352	5	7
	9	20

Parts No. Index

Parts No.	Fig. No.	Ref. No.
26106-080452	2	20
	3	12
		12 -1
	7	12
26106-080502	3	19
	4	37
	16	14
26106-080552	2	21
26106-080602	10	14
26106-080652	10	32
26106-080802	5	4
	6	4
26116-050302	11	86
26116-120252	15	24
26206-100252	3	4
26206-100302	3	5
26216-060202	4	9
26216-080802	6	6
26226-080182	4	35
26306-080002	2	23 -1
	6	3 -1
	12	72 -1
26366-060002	4	23
26366-080002	2	23
	6	3
	12	72
26450-060252	9	15
26716-060002	11	87
26716-120002	11	92
26736-120002	12	59 A
26756-060002	12	58
26776-120002	12	59
27241-120000	1	8
27241-300000	1	9
27241-400000	4	10
27310-080001	4	15
719810-01500	2	1
729001-01560	1	1
729030-51480	11	1
729030-92760	17	1
729132-11521	4	38
729402-11650	4	31
729402-23100	8	23
729503-53100	13	1
977770-01212	17	23
X2114535200	15	19

Parts No.	Fig. No.	Ref. No.
-----------	----------	----------

Parts No.	Fig. No.	Ref. No.
-----------	----------	----------

Parts No.	Fig. No.	Ref. No.
-----------	----------	----------