

0CB10-M63301EN

## Directions for the Parts Catalog.

1. This Parts Catalog shows both standard and optional parts.
2. Parts may change without prior notice.
3. The following is an example of the Parts Catalog format.

REF.	LEV.	PARTS NO.	DESCRIPTION	Q'TY						I	R
				(A)	(B)	(C)	(D)	(E)	(F)		
1	1	729595-51390	FUEL INJECTION PUMP	1	1	1	1	1			1
1-1	1	729595-51391	FUEL INJECTION PUMP	1	1	1	1	1		N	1
		(A=E00185) (B=E00200)									
3	2	26022-060162	SCREW M 6X 16	9	9	9	9	9			
3-1	2	26022-060162	SCREW M 6X 16	4	4	4	4	4		K	
		(A=E00156) (B=E00156) (C=E00156) (D=E00156) (E=E00156)									
4	2	129470-51040	CAMSHAFT	1	1	1	1	1			
5	2	122710-51050	BEARING, ROLLER	2	2	2	2	2			
6	2	129470-51060	RETAINER	1	1	1	1	1			

Remarks
(1) BOOST COMPEMSATOR TYPE. OPTIONAL PART, TO E00155,(4JH-DT, 4JH-DTZ

### ① Ref. No.

The Ref. No. listed may not be in accordance with the illustration Ref. No.

(Ex.) Illustration No.

List Ref No.

1

1

(Before change)

1-1

(After change)

For interchangeable symbols N, R and K, illustrations for new parts may be abbreviated.

### ② Lev. (Level)

Level indication

The numbers below indicate the level of relativity towards the main part.

1 ----- Main parts (Assembly parts)

2 ----- Sub component included in " 1 ".

3 ----- Sub component included in " 2 ".

Note) Parts that are not for sale are partially illustrated but not listed.

### ③ Interchangeability Symbol

When a part change takes place, one of the following interchangeability symbols is indicated beside the part.

Symbol	Interchangeability	Contents note
N	Old $\begin{matrix} \leftarrow \text{Yes} \\ \text{No} \rightarrow \end{matrix}$ New	New Part is interchangeable for Old Part but Old Part is not interchangeable for New Part.
Q	Old $\begin{matrix} \leftarrow \text{No} \\ \text{Yes} \rightarrow \end{matrix}$ New	New Part is not interchangeable for Old Part but Old Part is interchangeable for New Part.
R	Old $\begin{matrix} \leftarrow \text{Yes} \\ \text{Yes} \rightarrow \end{matrix}$ New	New/ Old Parts are both interchangeable.
S	Old $\begin{matrix} \leftarrow \text{No} \\ \text{No} \rightarrow \end{matrix}$ New	New/ Old Parts are both not interchangeable.
W		Part newly added.
Z		Part discontinued.
F		Not interchangeable by a single part but interchangeable together with related parts.
K		Changes only for used parts quantities.

### ④ Effective Machine No.

When a part changes, the effective Machine No. will be indicated in the (A)-(F) column.

Product Symbol	Product No.	Product Symbol	Product No.
C	Clutch No. Compressor No.	F	Machine No. (Agricultural Equip.)
D	Drive No.	M	Machine No.
E	Engine No.		

Note 1) A date may follow the symbol. (Ex.) 1996.01

Note 2) "XXXXX" and "ZZZZZ" are for parts that could not be predicted or for engine models that could not be identified.

Note 3) (A=E00185) is the E (Engine Serial Number) for the column (A) model (in this case 4JH-DT) after the parts design change.

### ⑤ Remarks

Figures or alphabets (symbols) are entered in the remarks column.

The comments (remarks) on parts that are indicated at the bottom of the illustration are the same symbols as those stated above.

# Contents

OCB10-M63301

Fig. No.	Fig. Name
3TN66L-EUBA	
1.	CYLINDER BLOCK
2.	GEAR HOUSING
3.	FLY.HOUSING & LUB.OIL SUMP
4.	CYLINDER HEAD & BONNET
5.	SUC.MANIFOLD & AIR CLEANER
6.	EXH.MANIFOLD
7.	CAMSHAFT & DRIVING GEAR
8.	CRANKSHAFT & PISTON
9.	LUB.OIL SYSTEM
10.	COOLING WATER SYSTEM
11.	FUEL INJECTION DEVICE
12.	GOVERNOR
13.	STARTING MOTOR
14.	GENERATOR
15.	GASKET SET(OPTIONAL) & TOOLS

Fig. No.	Fig. Name
----------	-----------

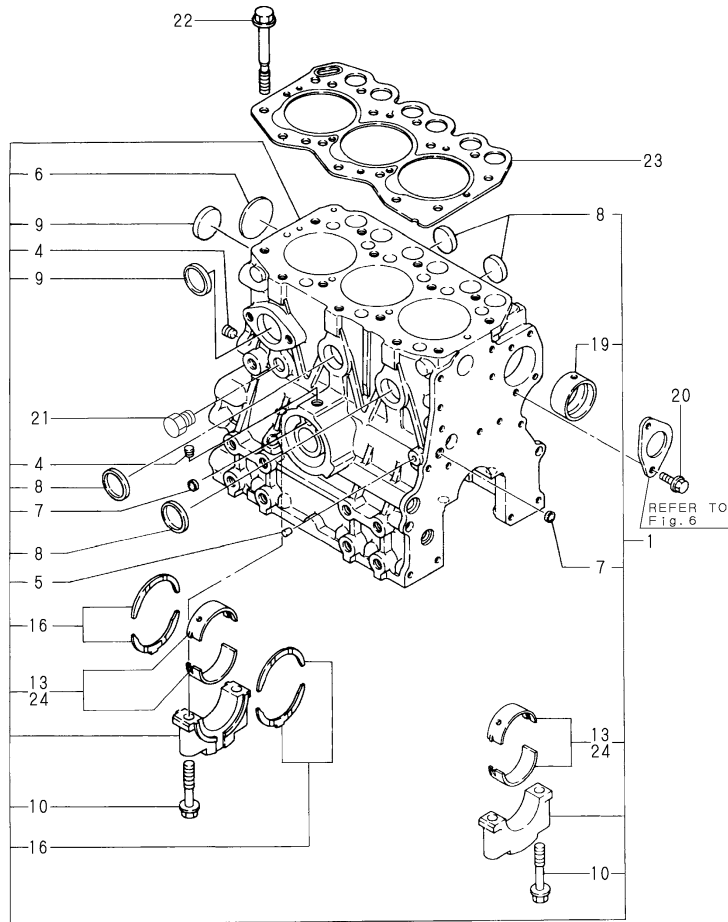
Fig.1. CYLINDER BLOCK

(A)=3TN66L-EUBA  
(B)=  
(C)=

(D)=  
(E)=  
(F)=

Y00B6331

Fig. 1 CYLINDER BLOCK



No.	Lev.	Parts No.	Description	Q'ty						I	R
				(A)	(B)	(C)	(D)	(E)	(F)		
1	1	719270-01560	BLOCK ASSY, CYLINDER	1							
4	3	124060-01050	PLUG, PT1/8	2							
5	3	27221-060100	PLUG, 6X10	1							
6	3	119265-01250	PLUG, 40	1							
7	3	27241-100000	PLUG, 10	2							
8	3	27241-250000	PLUG, 25	4							
9	3	27241-300000	PLUG 30	2							
10	3	119260-02020	BOLT, METAL CAP	8							
13	2	119260-02800	BEARING, MAIN	4							
16	2	119260-02930	BEARING, THRUST	2							
19	2	119266-02410	BUSH	1							
20	1	26106-060122	BOLT, M6X 12 PLATED	2							
21	1	171056-49120	PLUG, DRAIN	1							
22	1	119266-01200	BOLT, HEAD	14							
23	1	119225-01340	GASKET, HEAD	1							
24	1	119260-02870	BEARING, 0.25 US	4							1

Remarks  
(1) UNDER SIZED (U.S.=0.25) PART.

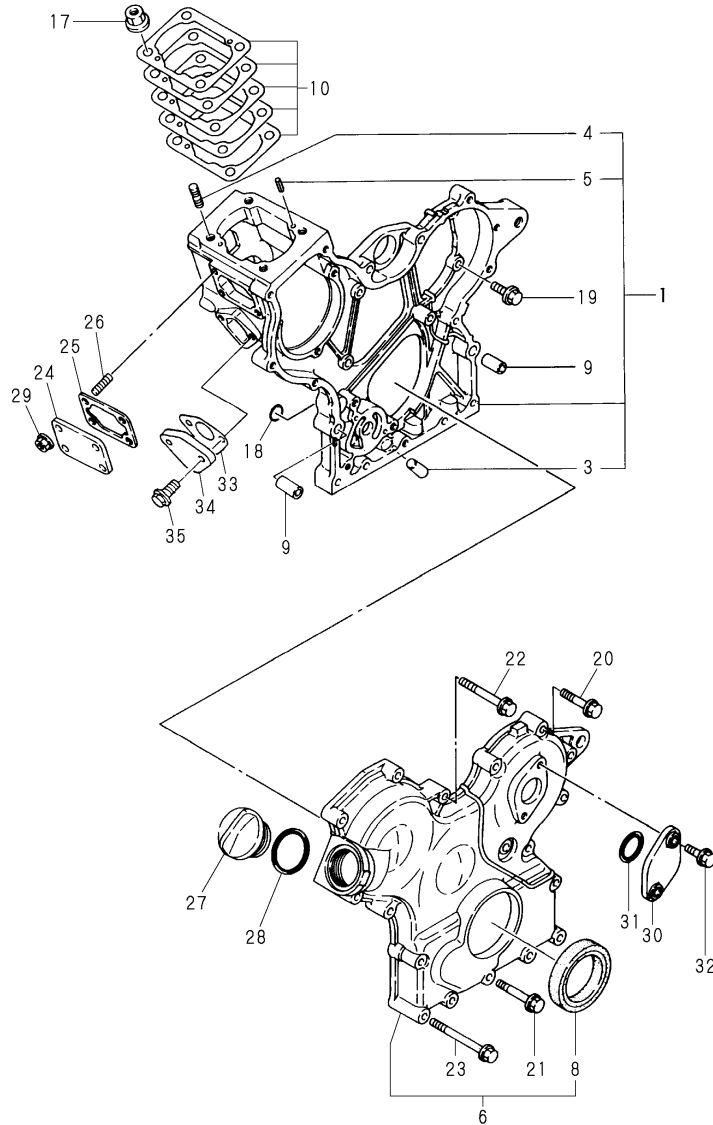
Fig.2. GEAR HOUSING

(A)=3TN66L-EUBA  
(B)=  
(C)=

(D)=  
(E)=  
(F)=

Y00B6331

Fig. 2 GEAR HOUSING



No.	Lev.	Parts No.	Description	Q'ty						I	R
				(A)	(B)	(C)	(D)	(E)	(F)		
1	1	119260-01490	CASE ASSY, GEAR	1							
3	2	119260-01510	PLUG	1							
4	2	121450-01560	STUD, M8X22	4							
5	2	22351-040010	PIN, SPRING 4.0X10	2							
6	1	119260-01590	COVER ASSY, GEAR CASE	1							
8	2	119620-01800	SEAL, OIL	1							
9	1	119660-01911	PIPE, KNOCK	4							
10	1	119623-01950	SHIM SET, ADJUSTING	1							
17	1	194990-22050	NUT, M8	4							
18	1	119624-32040	O-RING, P12.0	2							
19	1	26106-060162	BOLT, M6X 16 PLATED	5							
20	1	26106-060302	BOLT, M6X 30 PLATED	5							
21	1	26106-060402	BOLT, M6X 40 PLATED	3							
22	1	26106-060502	BOLT, M6X 50 PLATED	4							
23	1	26106-060652	BOLT, M6X 65 PLATED	6							
24	1	119660-01551	COVER	1							
25	1	119660-01562	GASKET	1							
26	1	119660-01570	STUD, M6X12	4							
27	1	124160-01751	COVER, FILLER	1							
28	1	24311-000320	O-RING, 1AP32.0	1							
29	1	26366-060002	NUT, M6	4							
30	1	121023-01550	COVER	1							
31	1	24341-000240	O-RING, 1AS24.0	1							
32	1	26106-060162	BOLT, M6X 16 PLATED	2							
33	1	121520-01851	GASKET	1							
34	1	121520-01860	COVER	1							
35	1	26106-060162	BOLT, M6X 16 PLATED	2							

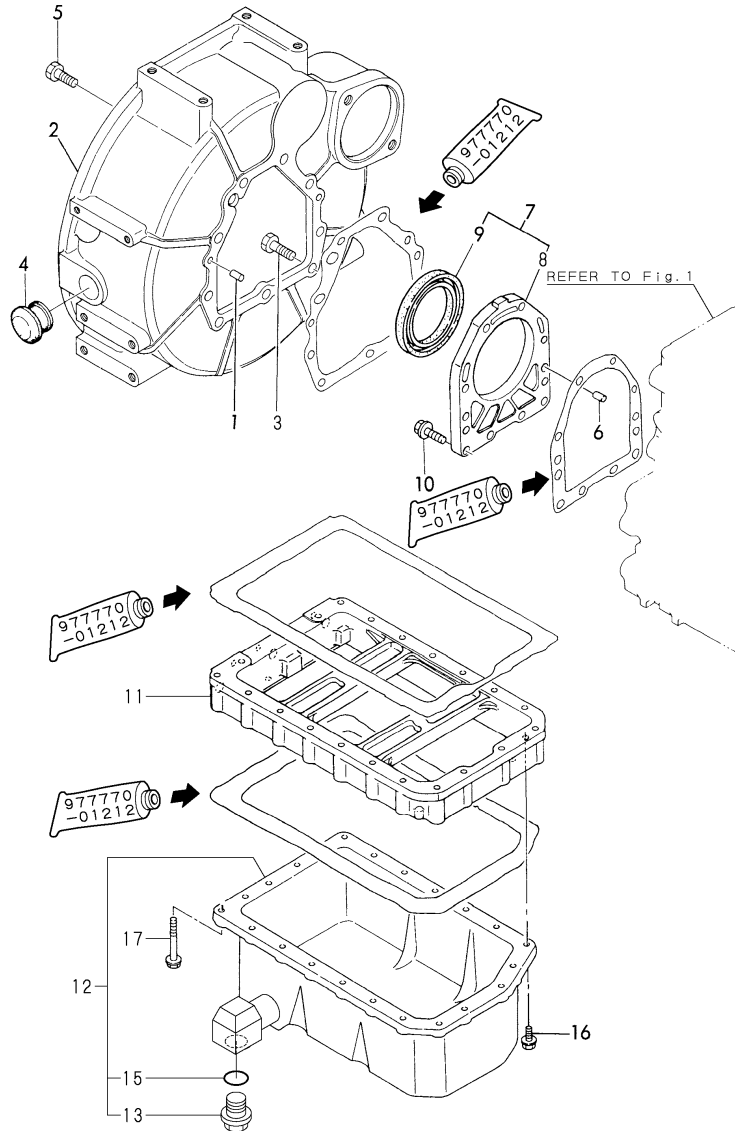
Fig.3. FLY.HOUSING & LUB.OIL SUMP

(A)=3TN66L-EUBA  
(B)=  
(C)=

(D)=  
(E)=  
(F)=

Y00B6331

Fig.3 FLYWHEEL HOUSING & LUB.OIL SUMP



No.	Lev.	Parts No.	Description	Qty						I	R
				(A)	(B)	(C)	(D)	(E)	(F)		
1	1	129100-01580	PIN, M8X16	2							
2	1	119230-01600	HOUSING, FLYWHEEL	1							
3	1	121120-01620	BOLT, M10X28	3							
4	1	119620-01750	CAP	1							
5	1	26206-100252	BOLT, M10X 25 PLATED	6							
6	1	119620-01620	PIN, M6X10	2							
7	1	119660-01640	CASE ASSY, OIL SEAL	1							
8	2	119660-01651	CASE, OIL SEAL	1							
9	2	124085-02220	SEAL, OIL	1							
10	1	26106-060222	BOLT, M6X 22 PLATED	10							
11	1	119454-01721	SPACER, OIL SUMP	1							
12	1	119233-01790	SUMP ASSY, OIL	1							
12-1	1	119233-01791	SUMP ASSY, OIL	1							N
(A=E/#84439)											
13	2	105425-01690	PLUG, 16	1							
15	2	22190-160002	WASHER, SEAL 16	1							
16	1	26106-060102	BOLT, M6X 10 PLATED	3							
17	1	26106-060452	BOLT, M6X 45 PLATED	20							

# Fig.4. CYLINDER HEAD & BONNET

(A)=3TN66L-EUBA

(B)=

(C)=

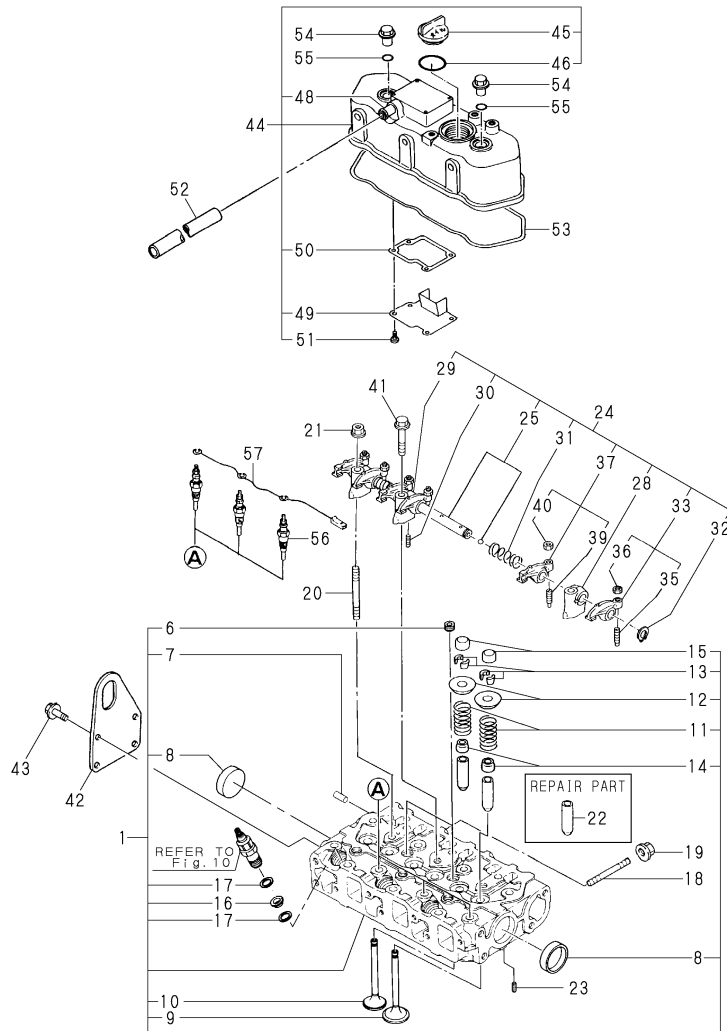
(D)=

(E)=

(F)=

Y00B6331

Fig.4 CYLINDER HEAD & BONNET



No.	Lev.	Parts No.	Description	Q'ty						I	R
				(A)	(B)	(C)	(D)	(E)	(F)		
1	1	719260-11700	HEAD ASSY, CYLINDER	1							
6	3	23876-030000	PLUG, R03	2							
7	3	27221-050080	PLUG, 5X 8	1							
8	3	27241-350000	PLUG, 35	2							
9	2	119260-11100	VALVE, INTAKE	3							
10	2	119260-11110	VALVE, EXHAUST	3							
11	2	114250-11120	SPRING, VALVE	6							
12	2	114250-11180	RETAINER, SPRING	6							
13	2	27310-055001	COTTER, 5.5	6							
14	2	119260-11340	SEAL, VALVE STEM	6							
15	2	119260-11370	CAP, VALVE	6							
16	2	119600-11450	PROTECTOR, NOZZLE	3							
17	2	119600-11460	GASKET, NOZZLE	6							
18	1	119620-11350	STUD	2							
19	1	26366-080002	NUT, M8	2							
19-1	1	26306-080002	NUT, M8	2							N
(A=E/#83447)											
20	1	26216-060402	STUD, M6X 40	2							
21	1	26366-060002	NUT, M6	2							
22	1	119260-11800	GUIDE, VALVE	6							1
23	1	22351-060012	PIN, SPRING 6.0X12	2							
24	1	119260-11200	SUPPORT ASSY, ARM	1							
25	2	119260-11240	SHAFT ASSY, ROCKER	1							
28	2	119260-11260	SUPPORT, ROCKER ARM	1							
29	2	119265-11260	SUPPORT, ROCKER ARM	2							
30	2	119260-11270	SCREW	1							
31	2	119260-11280	SPRING	2							
32	2	22242-000100	RING, 10	2							
33	2	719260-11650	ARM ASSY, ROCKER	3							
35	3	105010-11230	SCREW, VALVE ADJUST	3							
36	3	26756-060002	NUT, LOCK M6	3							
37	2	719260-11660	ARM ASSY, ROCKER	3							
39	3	105010-11230	SCREW, VALVE ADJUST	3							
40	3	26756-060002	NUT, LOCK M6	3							
41	1	26106-080452	BOLT, M8X 45 PLATED	1							
42	1	119632-07900	LIFTER	1							
43	1	26106-060122	BOLT, M6X 12 PLATED	4							
44	1	119230-11351	BONNET ASSY, HEAD	1							
45	2	124160-01751	COVER, FILLER	1							
46	2	24311-000320	O-RING, 1AP32.0	1							
48	2	119266-11390	JOINT	1							
49	2	119260-03020	PLATE, SHELTER	1							
50	2	119260-03031	GASKET	1							
51	2	22857-500100	SCREW, 5X10	4							
52	1	23065-120800	PIPE, 12X 800	1							
53	1	119260-11310	GASKET, BONNET	1							
54	1	124160-11360	KNOB	2							
55	1	24311-000120	O-RING, 1AP12.0	2							
56	1	129155-77801	PLUG, GLOW	3							
57	1	119645-77820	CONNECTOR, GLOW PLUG	1							

Remarks

(1)REPAIR PART.

N:Old  $\xrightarrow{\text{Yes}}$  New, Q:Old  $\xrightarrow{\text{No}}$  New, R:Old  $\xrightarrow{\text{Yes}}$  New, S:Old  $\xrightarrow{\text{No}}$  New, W:Add, Z:Discontinued, F:Interchangeable by set, K:Q'ty Change

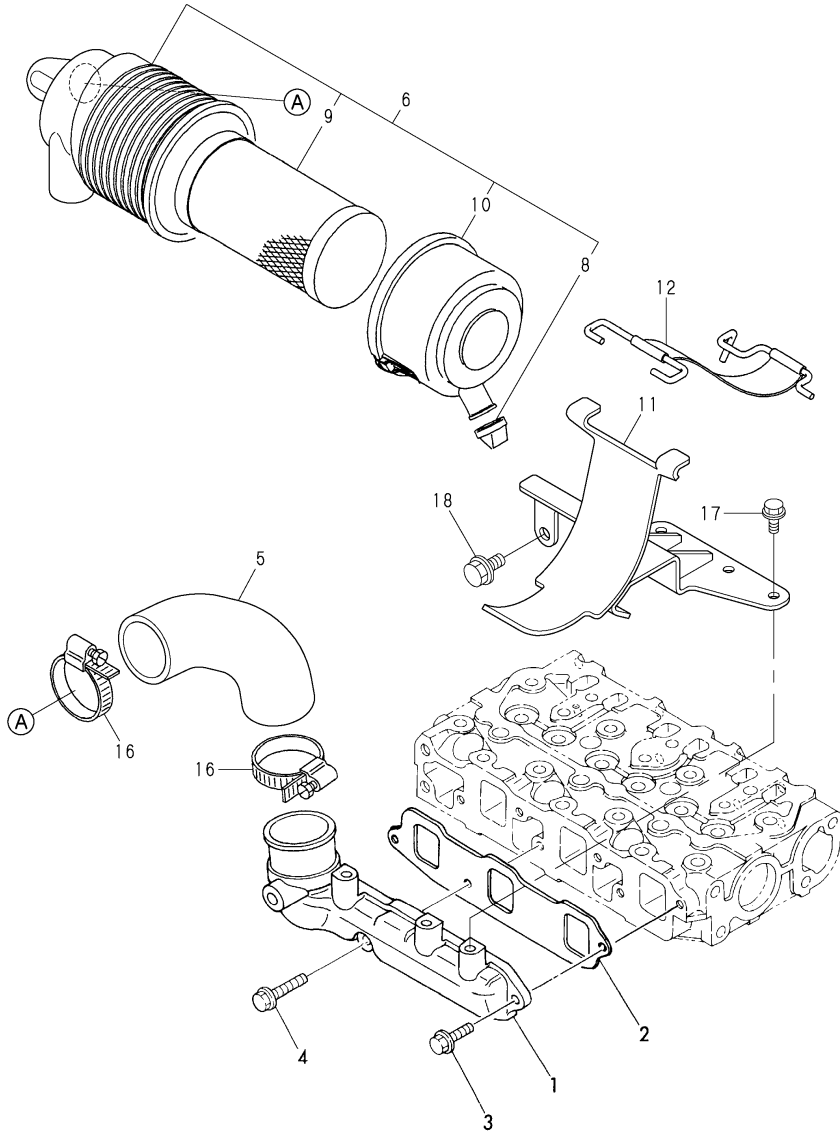
Fig.5. SUC.MANIFOLD & AIR CLEANER

(A)=3TN66L-EUBA  
(B)=  
(C)=

(D)=  
(E)=  
(F)=

Y00B6331

Fig.5 SUC.MANIFOLD & AIR CLEANER



No.	Lev.	Parts No.	Description	Q'ty						I	R
				(A)	(B)	(C)	(D)	(E)	(F)		
1	1	119275-12101	MANIFOLD, AIR INTAKE	1							
2	1	119270-12110	GASKET, MANIFOLD	1							
3	1	26106-060162	BOLT, M6X 16 PLATED	2							
4	1	26106-060282	BOLT, M6X 28 PLATED	1							
5	1	119230-12250	PIPE, AIR INTAKE	1							
6	1	119230-12530	CLEANER ASSY, AIR	1							
8	2	119808-12540	VALVE, UNLOADER	1							
9	2	119655-12560	ELEMENT	1							
10	2	105027-12570	COVER, AIR CLEANER	1							
11	1	119230-12599	SUPPORT, AIR CLEANER	1							
11-1	1	119230-12591	SUPPORT, AIR CLEANER	1							N
(A=E/#82624)											
12	1	119865-12600	BAND ASSY, CLEANER	1							
16	1	23000-054000	CLAMP, 54	2							
17	1	26106-060142	BOLT, M6X 14 PLATED	3							
18	1	26106-080162	BOLT, M8X 16 PLATED	1							



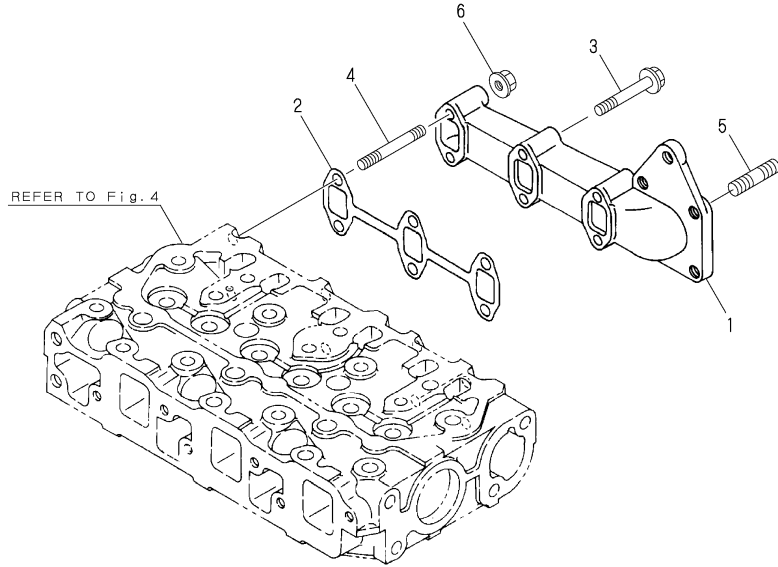
Fig.6. EXH.MANIFOLD

(A)=3TN66L-EUBA  
(B)=  
(C)=

(D)=  
(E)=  
(F)=

Y00B6331

Fig. 6 EXH. MANIFOLD



No.	Lev.	Parts No.	Description	Q'ty						I	R
				(A)	(B)	(C)	(D)	(E)	(F)		
1	1	119233-13100	MANIFOLD, EXHAUST	1							
2	1	119260-13110	GASKET	1							
3	1	26106-060402	BOLT, M6X 40 PLATED	4							
4	1	26216-060402	STUD, M6X 40	2							
5	1	119131-18320	STUD, M8X22	4							
6	1	26366-060002	NUT, M6	2							

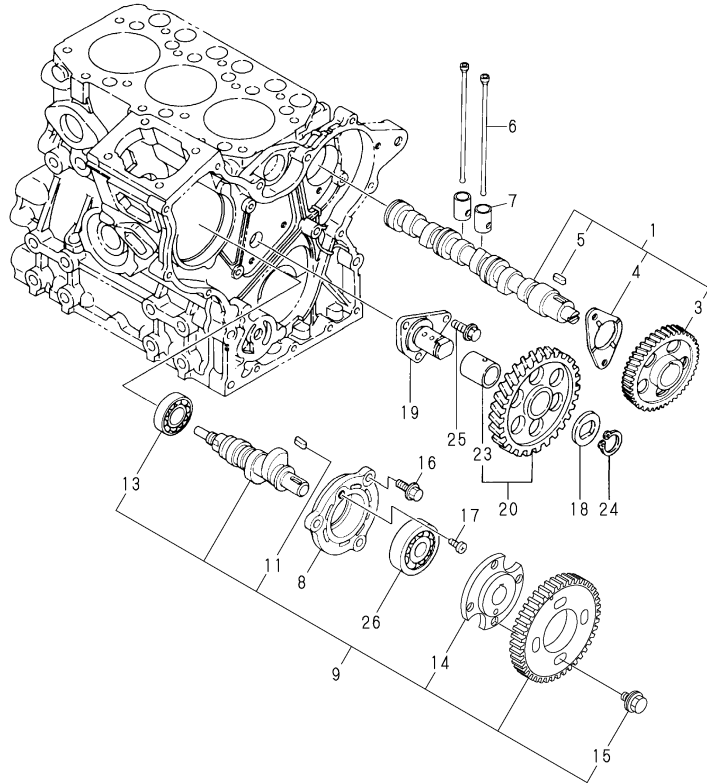
Fig.7. CAMSHAFT & DRIVING GEAR

(A)=3TN66L-EUBA  
(B)=  
(C)=

(D)=  
(E)=  
(F)=

Y00B6331

Fig.7 CAMSHAFT & DRIVING GEAR



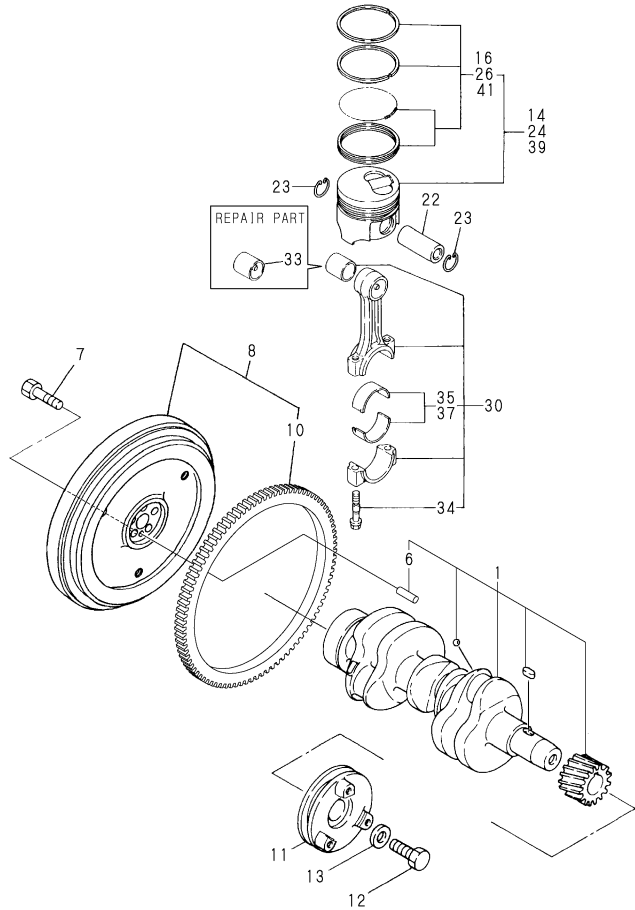
No.	Lev.	Parts No.	Description	Q'ty						I	R
				(A)	(B)	(C)	(D)	(E)	(F)		
1	1	119260-14580	CAMSHAFT ASSY	1							
3	2	119260-14100	GEAR, CAMSHAFT	1							
4	2	119620-02450	BEARING, THRUST	1							
5	2	22512-040120	KEY, 4X 12	1							
6	1	119260-14400	ROD, PUSH	6							
7	1	119260-14200	TAPPET	6							
8	1	119660-01821	BEARING, FUEL CAM	1							
9	1	119225-14210	CAM ASSY	1							
11	2	22512-040120	KEY, 4X 12	1							
13	2	24102-063034	BEARING, BALL 6303U	1							
14	2	119660-25920	FLANGE	1							
15	2	119660-25930	BOLT	4							
16	1	26106-060162	BOLT, M6X 16 PLATED	3							
17	1	26587-080102	SCREW, M8X10	1							
18	1	119660-25022	RETAINER	1							
19	1	119660-25052	SHAFT, IDLE	1							
20	1	119260-25100	GEAR ASSY, IDLE	1							
23	2	119620-25912	BUSH	1							1
24	1	22242-000200	RING, 20	1							
25	1	26106-060122	BOLT, M6X 12 PLATED	3							
26	1	24101-062034	BEARING, BALL 6203	1							

Remarks  
(1)REPAIR PART.

Fig.8. CRANKSHAFT & PISTON

Y00B6331

Fig.8 CRANKSHAFT & PISTON



(A)=3TN66L-EUBA  
(B)=  
(C)=

(D)=  
(E)=  
(F)=

No.	Lev.	Parts No.	Description	Q'ty						I	R
				(A)	(B)	(C)	(D)	(E)	(F)		
1	1	719260-21700	CRANKSHAFT ASSY	1							
6	2	129100-01580	PIN, M8X16	1							
7	1	119620-21500	BOLT, FLYWHEEL	5							
8	1	119230-21590	FLYWHEEL ASSY	1							
10	2	124950-21600	GEAR, RING	1							
11	1	119230-21651	V-PULLEY	1							
12	1	119621-21680	BOLT, FLANGE 12X1.25	1							
13	1	119620-21941	WASHER	1							
14	1	119270-22091	PISTON ASSY	3							
16	2	719270-22501	RING SET, PISTON	3							
22	1	119260-22300	PIN, PISTON	3							
23	1	105225-22400	CIRCLIP	6							
24	1	719270-22821	PISTON ASSY, 0.25 OS	3							1
26	2	719270-22541	RING SET, 0.25 OS	3							1
30	1	119265-23100	ROD ASSY, CONNECTING	3							
33	2	119260-23910	BEARING, PISTON PIN	3							2
34	2	119265-23200	BOLT, CONNECTING ROD	6							
35	2	719260-23600	BEARING, CRANK PIN	3							
37	1	719260-23610	BEARING ASSY, 0.25	3							3
39	1	119270-22920	PISTON ASSY, 0.50 OS	3							4
41	2	119270-22970	RING SET, 0.50 OS	3							4

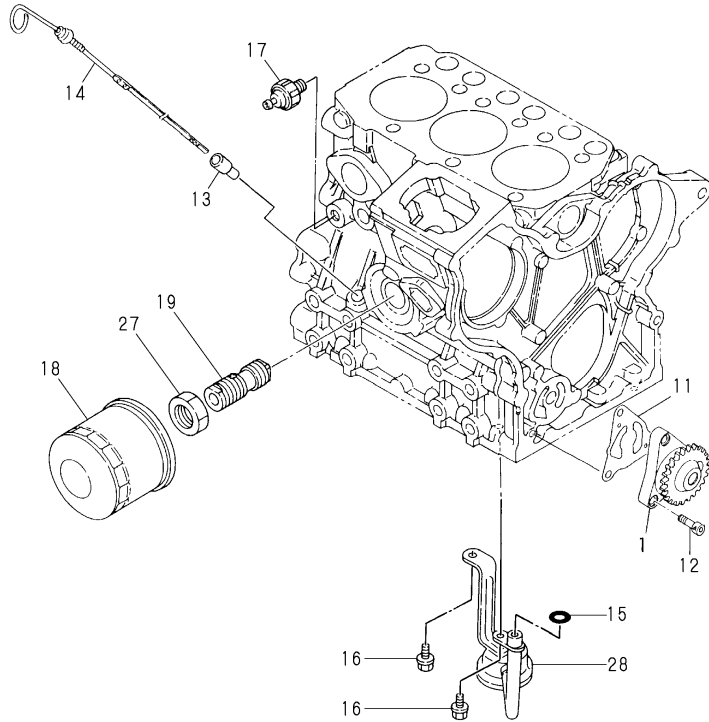
Remarks

- (1)OVER SIZED(O.S.=0.25)PART.
- (2)REPAIR PART.
- (3)UNDER SIZED(U.S.=0.25)PART.
- (4)OVER SIZED(O.S.=0.50)PART.

Fig.9. LUB.OIL SYSTEM

Y00B6331

Fig.9 LUB.OIL SYSTEM



(A)=3TN66L-EUBA  
(B)=  
(C)=

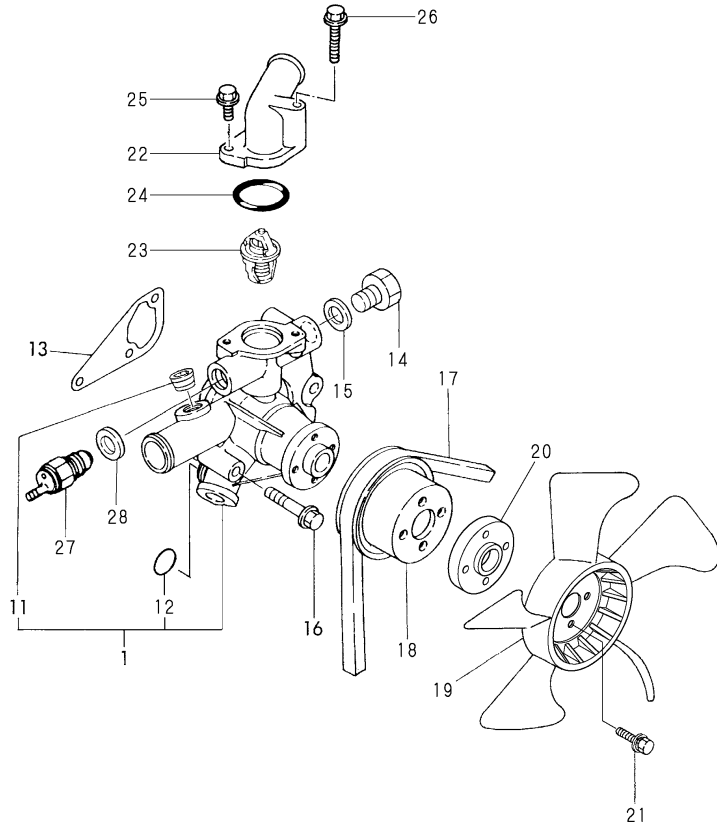
(D)=  
(E)=  
(F)=

No.	Lev.	Parts No.	Description	Q'ty						I	R
				(A)	(B)	(C)	(D)	(E)	(F)		
1	1	119260-32000	PUMP ASSY, OIL	1							
11	1	119660-32020	GASKET, PUMP	1							
12	1	26450-060202	BOLT, M6X 20	3							
13	1	121520-34810	GUIDE, DIPSTICK	1							
14	1	119230-34800	DIPSTICK, OIL	1							
15	1	119209-35030	O-RING, P11	1							
16	1	26106-060122	BOLT, M6X 12 PLATED	2							
17	1	114250-39450	SWITCH, 0.5KG	1							
18	1	119305-35150	FILTER, OIL	1							
19	1	119225-35300	VALVE ASSY	1							
27	1	129150-35350	NUT	1							
28	1	119260-35081	PIPE, OIL INLET	1							

Fig.10. COOLING WATER SYSTEM

Y00B6331

Fig. 10 COOLING WATER SYSTEM



(A)=3TN66L-EUBA  
(B)=  
(C)=

(D)=  
(E)=  
(F)=

No.	Lev.	Parts No.	Description	Q'ty						I	R
				(A)	(B)	(C)	(D)	(E)	(F)		
1	1	119244-42001	PUMP ASSY, WATER	1							
11	2	23876-030000	PLUG, R03	1							
12	2	119225-42320	O-RING	1							
13	1	119260-42021	GASKET, WATER PUMP	1							
14	1	121450-42450	PLUG, M16	1							
15	1	124465-44950	GASKET, 16	1							
16	1	26106-080452	BOLT, M8X 45 PLATED	3							
17	1	119225-42290	V-BELT, FM34.0	1							
18	1	119620-42350	V-PULLEY	1							
19	1	119230-44750	FAN, COOLING D230	1							
20	1	171009-44760	SPACER	1							
21	1	26106-060222	BOLT, M6X 22 PLATED	4							
22	1	119256-49530	COVER, THERMOSTAT	1							
22-1	1	119256-49531	COVER, THERMOSTAT	1							N
(A=E/#84321)											
23	1	119260-49800	THERMOSTAT, 71	1							
23-1	1	119260-49801	THERMOSTAT, 71	1							N
(A=E/#84321)											
24	1	119209-42140	O-RING, G 35	1							
25	1	26106-060162	BOLT, M6X 16 PLATED	1							
26	1	26106-060552	BOLT, M6X 55 PLATED	1							
27	1	121250-44901	SWITCH, 110	1							
28	1	124465-44950	GASKET, 16	1							

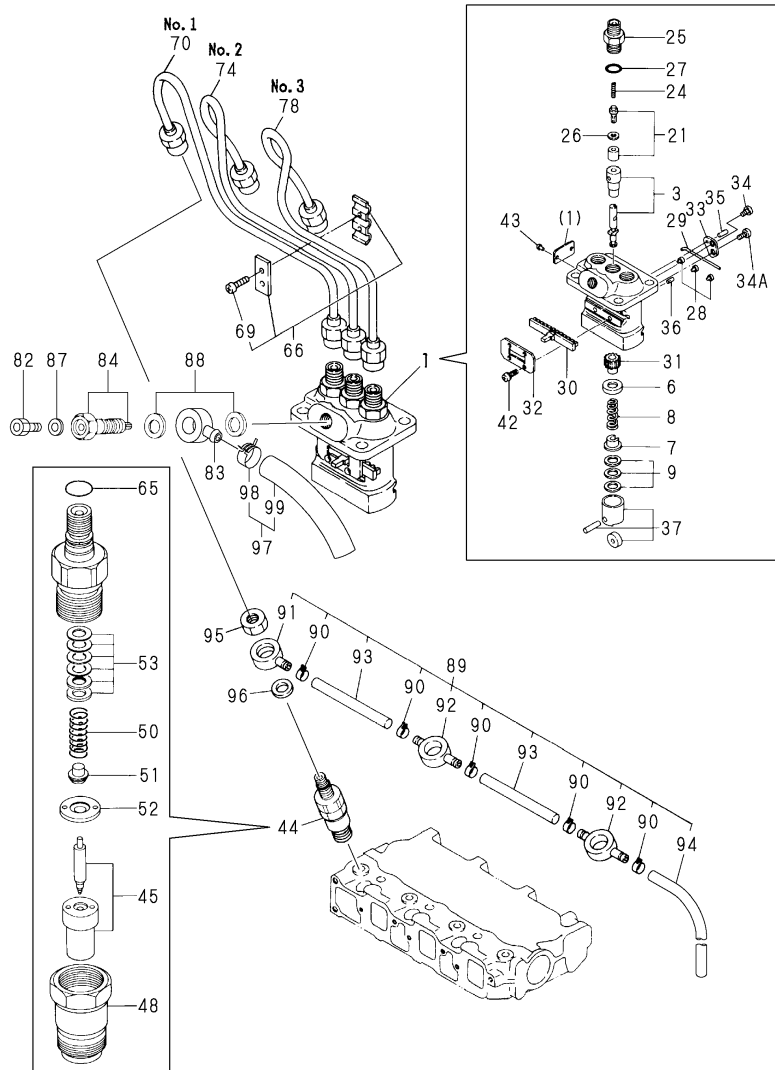
Fig.11. FUEL INJECTION DEVICE

(A)=3TN66L-EUBA  
(B)=  
(C)=

(D)=  
(E)=  
(F)=

Y00B6331

Fig. 11 FUEL INJECTION DEVICE



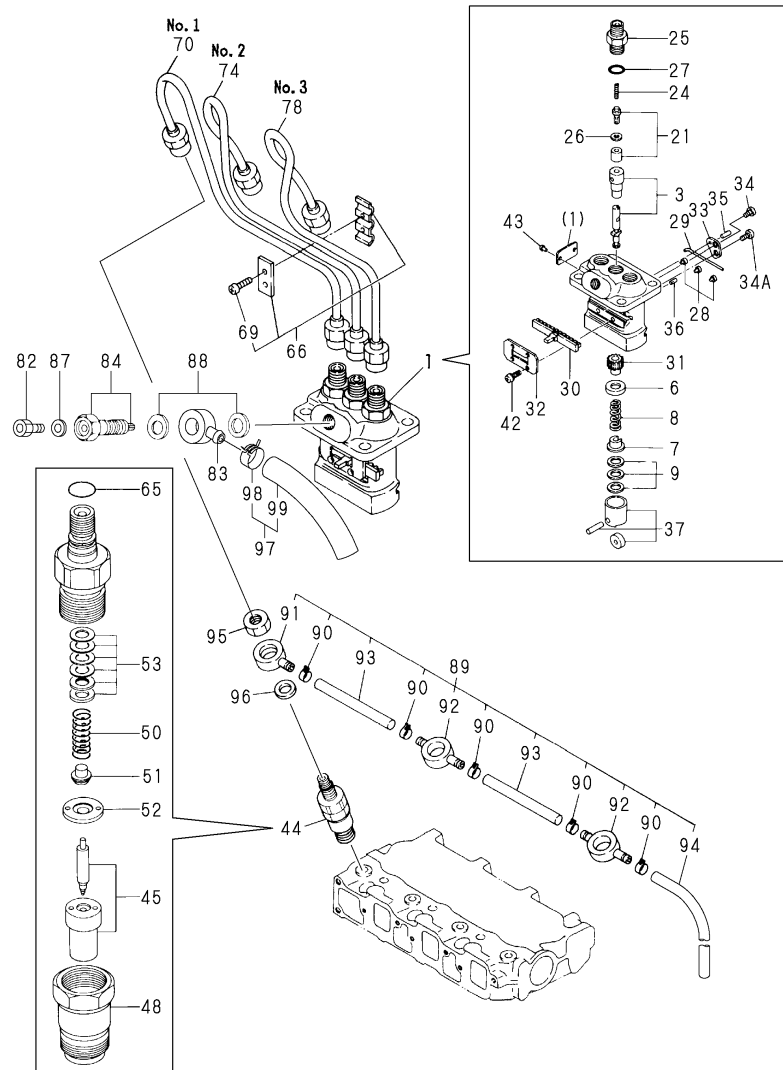
No.	Lev.	Parts No.	Description	Qty						I	R
				(A)	(B)	(C)	(D)	(E)	(F)		
1	1	719266-51100	PUMP ASSY, INJECTION	1							
3	2	119225-51100	PLUNGER ASSY	3							
6	2	119620-51170	RETAINER, SPRING A	3							
7	2	119620-51180	RETAINER, SPRING B	3							
8	2	119620-51190	SPRING, PLUNGER	3							
9	2	119620-51250	SHIM SET	3							
21	2	119225-51300	VALVE ASSY, DELIVERY	3							
24	2	105546-51330	SPRING, DELIVERY	3							
25	2	119620-51340	HOLDER, DELIVERY	3							
26	2	119620-51350	GASKET	3							
27	2	119620-51370	O-RING	3							
28	2	119620-51450	PIECE	3							
29	2	119620-51461	PIN	1							
30	2	119660-51500	RACK, CONTROL	1							
31	2	119620-51510	PINION	3							
32	2	119660-51530	RETAINER, RACK	1							
33	2	119620-51650	PLATE	2							
34	2	119620-51660	SCREW	2							
34A	2	26033-040102	SCREW, M4X10	2							
35	2	119620-51670	PIN	2							
36	2	119620-51680	PIN	1							
37	2	119620-51700	TAPPET ASSY	3							
42	2	26022-040082	SCREW, M4X 8	4							
43	2	102210-07990	RIVET	2							
44	1	719255-53100	VALVE ASSY,INJECTION	3							
45	2	119620-53000	VALVE ASSY,INJECTION	3							
48	2	119620-53080	NUT, NOZZLE	3							
50	2	119620-53120	SPRING, NOZZLE	3							
51	2	114250-53130	SEAT, SPRING	3							
52	2	119620-53140	SPACER, VALVE STOP	3							
53	2	114250-53400	SHIM SET	3							
65	2	129155-61830	O-RING, S10	3							
66	1	129150-59120	RETAINER, PIPE	1							
69	2	129150-59131	BOLT, M4X14	2							
70	1	119225-59810	PIPE ASSY, INJECTION	1							
74	1	119260-59820	PIPE ASSY, INJECTION	1							
78	1	119260-59830	PIPE ASSY, INJECTION	1							
82	1	123482-01900	PLUG, M8-1.25	1							
83	1	101304-59020	JOINT, PIPE 12	1							
84	1	119462-59190	BOLT ASSY, JOINT	1							
87	1	22190-080002	WASHER, SEAL 6	1							
88	1	22190-120002	WASHER, SEAL 12	2							
89	1	119266-59540	PIPE ASSY, FUEL	1							
90	2	124066-59100	CLIP, HOSE 8	6							
91	2	119260-59520	JOINT	1							
92	2	119260-59530	JOINT	2							
93	2	105025-59550	PIPE, FUEL RETURN	2							
94	2	119000-59560	PIPE, FUEL RETURN	1							
95	1	119620-59700	NUT, NOZZLE	3							
96	1	22190-140002	WASHER, SEAL 14	3							
97	1	119230-59040	PIPE ASSY, FUEL	1							

Y00B6331

Fig. **11** FUEL INJECTION DEVICE

(A)=3TN66L-EUBA  
(B)=  
(C)=

(D)=  
(E)=  
(F)=



No.	Lev.	Parts No.	Description	Qty						I	R
				(A)	(B)	(C)	(D)	(E)	(F)		
98	2	124766-59050	CLIP, HOSE 12	1							
99	2	105312-59510	PIPE, FUEL	1							

Fig.12. GOVERNOR

Y00B6331

(A)=3TN66L-EUBA  
(B)=  
(C)=

(D)=  
(E)=  
(F)=

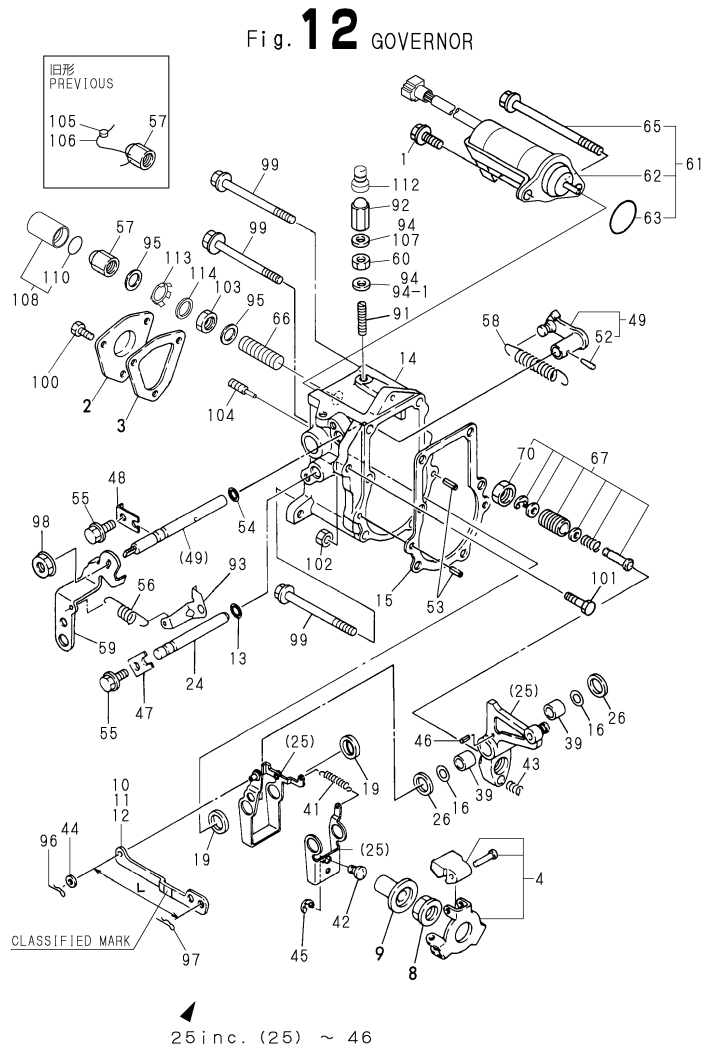


Fig. 12 GOVERNOR

No.	Lev.	Parts No.	Description	Q'ty						I	R
				(A)	(B)	(C)	(D)	(E)	(F)		
1	1	121465-59950	BOLT, M6X16	1							
2	1	119660-61060	COVER, GOVERNOR CASE	1							
3	1	119660-61071	GASKET	1							
4	1	119600-61400	WEIGHT ASSY,GOVERNOR	1							
8	1	119660-61300	NUT	1							
9	1	119660-61341	SLEEVE	1							
10	1	119660-61121	LINK, NO MARK	1							1
11	1	119660-61140	LINK, MARK :2	1							1
12	1	119660-61150	LINK, MARK :3	1							1
13	1	129155-51280	O-RING, S6	1							
14	1	119285-61010	CASE, GOVERNOR	1							
14-1	1	119285-61011	CASE, GOVERNOR	1							N
(A=E/#82772)											
14-2	1	119285-61012	CASE, GOVERNOR	1							N
(A=E/#83869)											
15	1	119660-61052	GASKET	1							
16	1	119660-61460	SHIM SET	1							
19	1	129155-61480	SPACER ASSY	2							
24	1	119660-61590	SHAFT	1							
25	1	119232-61510	LEVER ASSY, GOVERNOR	1							
26	2	174307-51700	SHIM SET	2							
39	2	114770-61520	BEARING, NEEDLE	2							
41	2	119232-61540	SPRING	1							
42	2	119600-61541	SHIFTER	1							
43	2	119660-61651	SPRING, STARTING	1							
44	2	22117-040000	WASHER, 4	1							
45	2	22272-000040	RING, E- 4	1							
46	2	22351-030014	PIN, SPRING 3.0X14	1							
47	1	119600-61900	RETAINER, SHAFT	1							
48	1	119660-61901	RETAINER, SHAFT	1							
49	1	119285-66080	SHAFT ASSY	1							
52	2	22322-030160	PIN, TAPER 3X16	1							
53	1	22351-040010	PIN, SPRING 4.0X10	2							
54	1	24341-000070	O-RING, 1AS7.0	1							
55	1	26106-060102	BOLT, M6X 10 PLATED	2							
56	1	119840-61870	SPRING	1							
57	1	129100-61930	NUT, CAP	1							
58	1	119600-66020	SPRING, REGULATOR	1							
59	1	119640-66051	HANDLE, REGULATOR	1							
60	1	124550-66370	NUT, M6	1							
60-1	1	26857-060002	NUT, M6	1							S
(A=E/#84741)											
61	1	119653-66500	STOPPER ASSY	1							
62	2	119653-77950	SOLENOID, STOP	1							
63	2	24341-000280	O-RING, 1AS28.0	1							
65	2	26106-060952	BOLT, M6X 95 PLATED	1							
65-1	2	119620-01530	BOLT	1							N
(A=E/#84741)											
66	1	129155-61470	BOLT, CONTROL	1							
66-1	1	120323-61470	BOLT, CONTROL	1							N
(A=E/#84321)											

Remarks  
(1)SELECTION USE PARTS.:  
CERTAIN THE CLASSIFICATION MARK,  
THEN PLACE YOUR ORDER.  
(REFER TO ILLUSTRATION)  
(2)REPAIR PART.

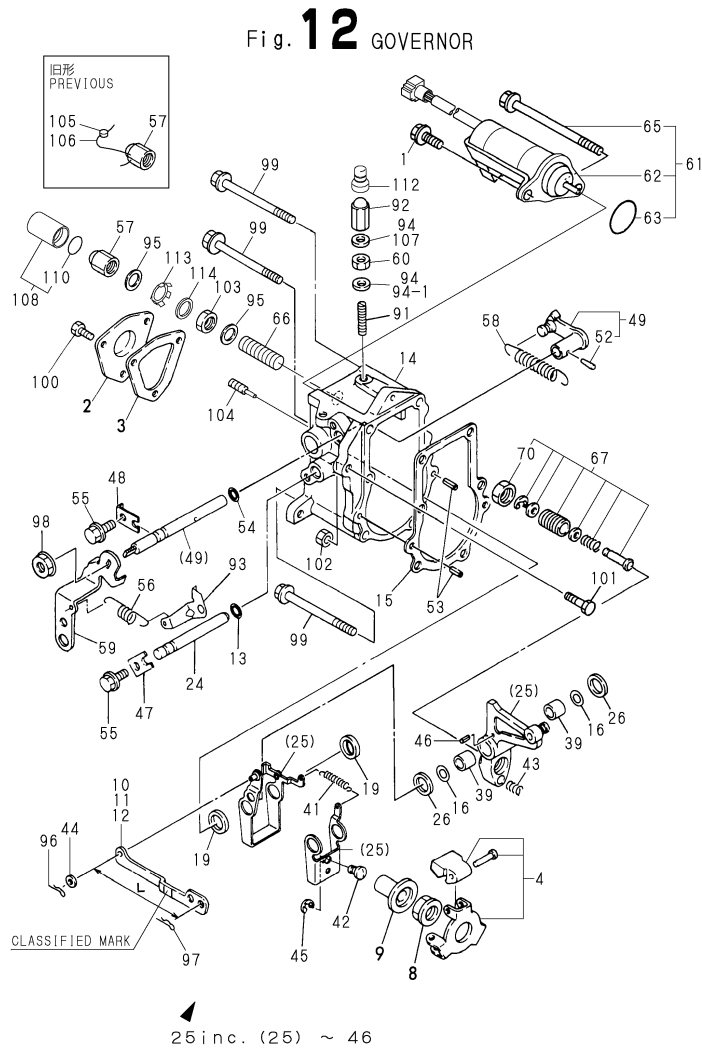


Fig.12. GOVERNOR

(A)=3TN66L-EUBA  
(B)=  
(C)=

(D)=  
(E)=  
(F)=

Y00B6331



No.	Lev.	Parts No.	Description	Qty						I	R
				(A)	(B)	(C)	(D)	(E)	(F)		
67	1	119610-66700	ANGLEICH ASSY	1							
70	2	129155-61590	NUT, LOCK	1							
91	1	121575-66830	SCREW	1							
92	1	119600-66840	NUT, CAP	1							
92-1	1	119285-66600	NUT, CAP M6	1							S
(A=E/#84741)											
93	1	119656-66910	HOOK	1							
94	1	22190-060003	SEAL WASER 6	2							
94-1	1	22190-060003	SEAL WASER 6	1							K
(A=E/#84741)											
95	1	22190-120002	WASHER, SEAL 12	2							
96	1	22360-040000	PIN, SNAP 4	1							
97	1	22360-060000	PIN, SNAP 6	1							
98	1	194990-22050	NUT, M8	1							
99	1	26106-060702	BOLT, M6X 70 PLATED	5							
100	1	26116-050102	BOLT, M5X 10 PLATED	3							
101	1	26116-060304	BOLT, M6X 30 PLATED	1							
102	1	26756-060002	NUT, LOCK M6	1							
103	1	26776-120002	NUT, LOCK M12	1							
103-1	1	26736-120002	NUT, M12	1							N
(A=E/#83869)											
104	1	124250-03640	SCREW	1							
105	1	135210-61090	LEAD	1							Z
(A=E/#84741)											
106	1	22451-060000	WIRE, 0.6	1							Z
(A=E/#84741)											
107	1	119285-66620	GASKET	1							W
(A=E/#84741)											
108	1	129209-61940	CASE ASSY	1							W
(A=E/#84741)											
110	2	24311-000150	O-RING, 1AP15.0	1							W
(A=E/#84741)											
112	1	119285-66650	CAP, HIGH-IDLE	1							W 2
(A=E/XXXX)											
113	1	129209-61970	PLATE	1							W
(A=E/#84741)											
114	1	23414-120016	GASKET, 12X1.0	1							W
(A=E/#84741)											

Remarks  
(1)SELECTION USE PARTS.:  
CERTAIN THE CLASSIFICATION MARK,  
THEN PLACE YOUR ORDER.  
(REFER TO ILLUSTRATION)  
(2)REPAIR PART.

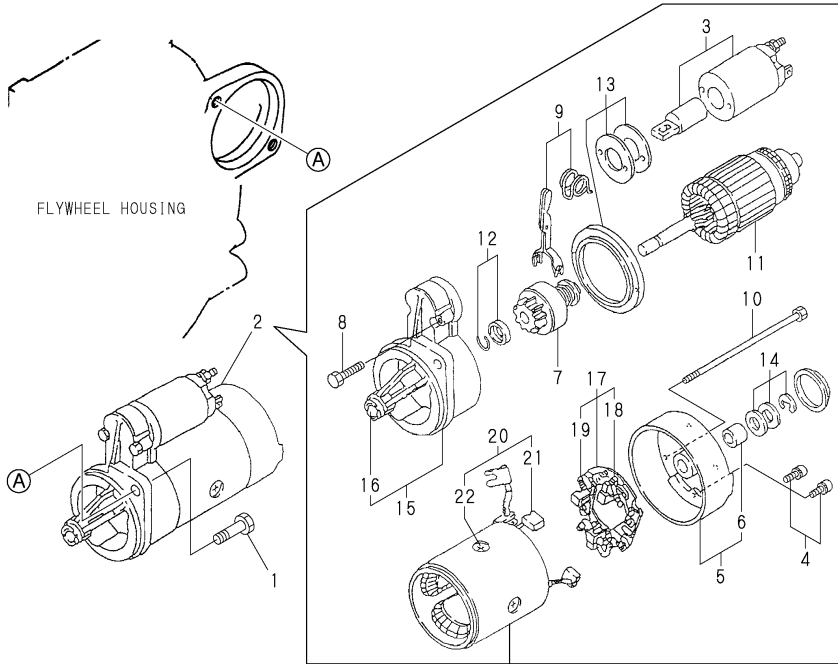
Fig.13. STARTING MOTOR

(A)=3TN66L-EUBA  
(B)=  
(C)=

(D)=  
(E)=  
(F)=

Y00B6331

Fig. 13 STARTING MOTOR



No.	Lev.	Parts No.	Description	Q'ty						I	R
				(A)	(B)	(C)	(D)	(E)	(F)		
1	1	26106-100252	BOLT, M10X 25 PLATED	2							
2	1	119225-77011	STARTER	1							
3	2	X2114275070	SWITCH, MAGNETIC	1							
4	2	X2114283500	SCREW SET	1							
5	2	X2114430010	COVER ASSY, REAR	1							
6	3	X2114535200	METAL, STARTER	1							
7	2	119226-77650	CLUTCH ASSY	1							
8	2	X2114586700	BOLT M6X 37	2							
9	2	X2114660130	LEVER KIT, SHIFT	1							
10	2	124195-77770	BOLT, THROUGH	2							
11	2	124190-77110	ARMATURE ASSY	1							
12	2	X2114715500	STOPPER SET	1							
13	2	X2114780060	COVER ASSY, DUST	1							
14	2	X2114811000	WASHER KIT, THRUST	1							
15	2	X2114866060	HOUSING, GEAR	1							
16	3	X2114535200	METAL, STARTER	1							
17	2	X2114990010	HOLDER ASSY, BRUSH	1							
18	3	X2114831300	BRUSH (-)	2							
19	3	X2114931400	SPRING, BRUSH	4							
20	2	X2114921040	COIL ASSY, FIELD	1							
21	3	X2114531200	BRUSH (+)	2							
22	3	X2114821500	SCREW SET	4							

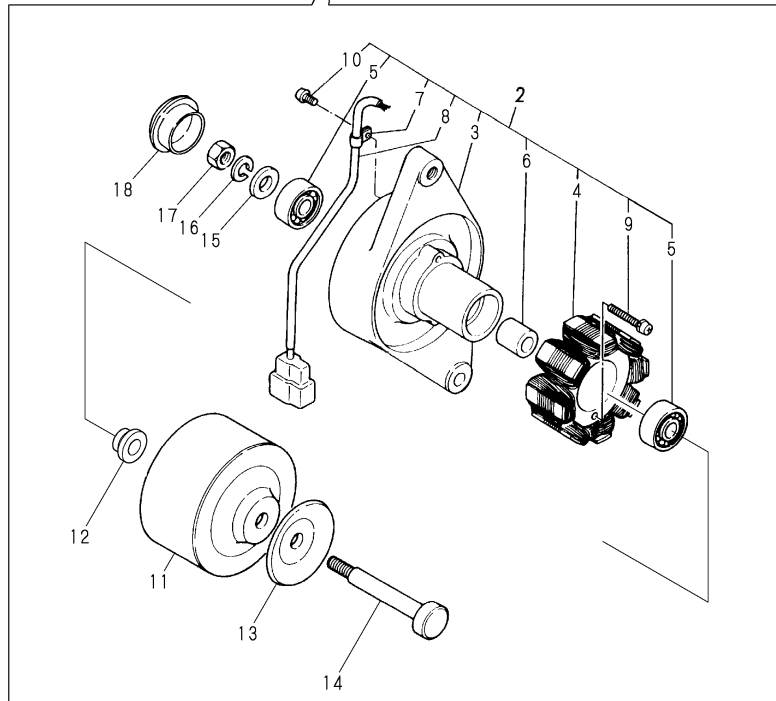
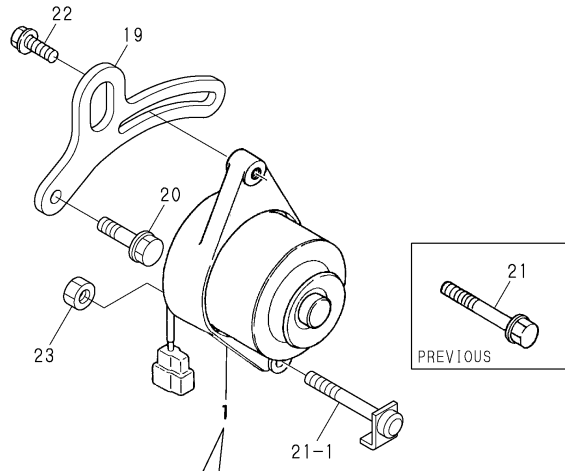
Fig.14. GENERATOR

(A)=3TN66L-EUBA  
(B)=  
(C)=

(D)=  
(E)=  
(F)=

Y00B6331

Fig. 14 GENERATOR



No.	Lev.	Parts No.	Description	Q'ty						I	R
				(A)	(B)	(C)	(D)	(E)	(F)		
1	1	119663-77200	DYNAMO	1							
2	2	XM183780000	PLATE ASSY	1							
3	3	X2A07071KA	PLATE, COIL	1							
4	3	X4A07023KC	STATOR ASSY	1							
5	3	XM274360000	BEARING 6201ZZC3	2							
6	3	XM329830000	COLLAR	1							
7	3	XM069000000	CLAMP	1							
8	3	XM178780000	COUPLER	1							
9	3	XYSPS402400	SCREW	2							
10	3	XYSPS400800	SCREW	1							
11	2	X3A08344KB	FLYWHEEL	1							
12	2	X4A04060K01	COLLAR	1							
13	2	XM721740000	PULLEY	1							
14	2	X4A07130K01	SHAFT	1							
15	2	XM860250000	WASHER	1							
16	2	XM219230000	WASHER	1							
17	2	XM863720000	NUT	1							
18	2	XM771870000	CAP	1							
19	1	119230-77330	ADJUSTER	1							
20	1	26106-080202	BOLT, M8X 20 PLATED	1							
21	1	119233-77251	BOLT	1							
21-1	1	119325-77250	BOLT, M8X56	1							N
		(A=E/#82713)									
22	1	119810-77340	BOLT, ADJUSTER	1							
23	1	26366-080002	NUT, M8	1							
23-1	1	26306-080002	NUT, M8	1							N
		(A=E/#83447)									

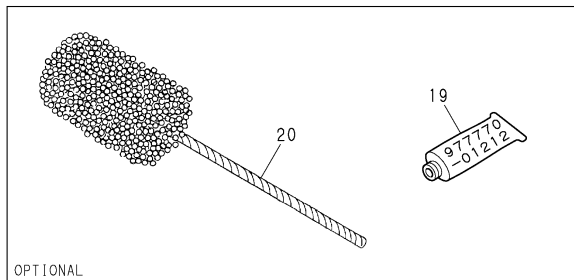
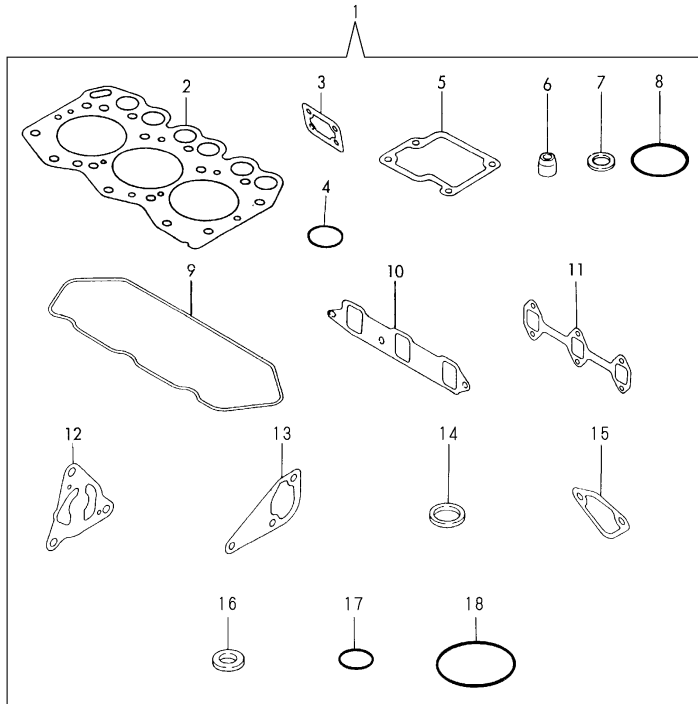
Fig.15. GASKET SET(OPTIONAL) & TOOLS

(A)=3TN66L-EUBA  
(B)=  
(C)=

(D)=  
(E)=  
(F)=

Y00B6331

Fig. 15 GASKET SET (OPTIONAL) & TOOLS



OPTIONAL

No.	Lev.	Parts No.	Description	Q'ty						I	R
				(A)	(B)	(C)	(D)	(E)	(F)		
1	1	719270-92620	GASKET SET	1							1
2	2	119225-01340	GASKET, HEAD	1							
3	2	119660-01562	GASKET	1							
4	2	24311-000320	O-RING, 1AP32.0	2							
5	2	119260-03031	GASKET	1							
6	2	119260-11340	SEAL, VALVE STEM	6							
7	2	119600-11460	GASKET, NOZZLE	6							
8	2	24341-000240	O-RING, 1AS24.0	1							
9	2	119260-11310	GASKET, BONNET	1							
10	2	119270-12110	GASKET, MANIFOLD	1							
11	2	119260-13110	GASKET	1							
12	2	119660-32020	GASKET, PUMP	1							
13	2	119260-42021	GASKET, WATER PUMP	1							
14	2	124465-44950	GASKET, 16	1							
15	2	121520-01851	GASKET	1							
16	2	22190-120002	WASHER, SEAL 12	2							
17	2	24311-000120	O-RING, 1AP12.0	2							
18	2	24321-000350	O-RING, 1AG35.0	1							
19	1	977770-01212	GASKET, LIQUID	1							1
20	1	129400-92400	HONE	1							1

Remarks  
(1)OPTIONAL

## Parts No. Index

Parts No.	Fig. No.	Ref. No.
101304-59020	11	83
102210-07990	11	43
105010-11230	4	35
		39
105025-59550	11	93
105027-12570	5	10
105225-22400	8	23
105312-59510	11	99
105425-01690	3	13
105546-51330	11	24
114250-11120	4	11
114250-11180	4	12
114250-39450	9	17
114250-53130	11	51
114250-53400	11	53
114770-61520	12	39
119000-59560	11	94
119131-18320	6	5
119209-35030	9	15
119209-42140	10	24
119225-01340	1	23
	15	2
119225-14210	7	9
119225-35300	9	19
119225-42290	10	17
119225-42320	10	12
119225-51100	11	3
119225-51300	11	21
119225-59810	11	70
119225-77011	13	2
119226-77650	13	7
119230-01600	3	2
119230-11351	4	44
119230-12250	5	5
119230-12530	5	6
119230-12591	5	11 -1
119230-12599	5	11
119230-21590	8	8
119230-21651	8	11
119230-34800	9	14
119230-44750	10	19
119230-59040	11	97
119230-77330	14	19
119232-61510	12	25
119232-61540	12	41
119233-01790	3	12
119233-01791	3	12 -1
119233-13100	6	1
119233-77251	14	21
119244-42001	10	1

Parts No.	Fig. No.	Ref. No.
119256-49530	10	22
119256-49531	10	22 -1
119260-01490	2	1
119260-01510	2	3
119260-01590	2	6
119260-02020	1	10
119260-02800	1	13
119260-02870	1	24
119260-02930	1	16
119260-03020	4	49
119260-03031	4	50
	15	5
119260-11100	4	9
119260-11110	4	10
119260-11200	4	24
119260-11240	4	25
119260-11260	4	28
119260-11270	4	30
119260-11280	4	31
119260-11310	4	53
	15	9
119260-11340	4	14
	15	6
119260-11370	4	15
119260-11800	4	22
119260-13110	6	2
	15	11
119260-14100	7	3
119260-14200	7	7
119260-14400	7	6
119260-14580	7	1
119260-22300	8	22
119260-23910	8	33
119260-25100	7	20
119260-32000	9	1
119260-35081	9	28
119260-42021	10	13
	15	13
119260-49800	10	23
119260-49801	10	23 -1
119260-59520	11	91
119260-59530	11	92
119260-59820	11	74
119260-59830	11	78
119265-01250	1	6
119265-11260	4	29
119265-23100	8	30
119265-23200	8	34
119266-01200	1	22
119266-02410	1	19

Parts No.	Fig. No.	Ref. No.
119266-11390	4	48
119266-59540	11	89
119270-12110	5	2
	15	10
119270-22091	8	14
119270-22920	8	39
119270-22970	8	41
119275-12101	5	1
119285-61010	12	14
119285-61011	12	14 -1
119285-61012	12	14 -2
119285-66080	12	49
119285-66600	12	92 -1
119285-66620	12	107
119285-66650	12	112
119305-35150	9	18
119325-77250	14	21 -1
119454-01721	3	11
119462-59190	11	84
119600-11450	4	16
119600-11460	4	17
	15	7
119600-61400	12	4
119600-61541	12	42
119600-61900	12	47
119600-66020	12	58
119600-66840	12	92
119610-66700	12	67
119620-01530	12	65 -1
119620-01620	3	6
119620-01750	3	4
119620-01800	2	8
119620-02450	7	4
119620-11350	4	18
119620-21500	8	7
119620-21941	8	13
119620-25912	7	23
119620-42350	10	18
119620-51170	11	6
119620-51180	11	7
119620-51190	11	8
119620-51250	11	9
119620-51340	11	25
119620-51350	11	26
119620-51370	11	27
119620-51450	11	28
119620-51461	11	29
119620-51510	11	31
119620-51650	11	33
119620-51660	11	34

Parts No.	Fig. No.	Ref. No.
119620-51670	11	35
119620-51680	11	36
119620-51700	11	37
119620-53000	11	45
119620-53080	11	48
119620-53120	11	50
119620-53140	11	52
119620-59700	11	95
119621-21680	8	12
119623-01950	2	10
119624-32040	2	18
119632-07900	4	42
119640-66051	12	59
119645-77820	4	57
119653-66500	12	61
119653-77950	12	62
119655-12560	5	9
119656-66910	12	93
119660-01551	2	24
119660-01562	2	25
	15	3
119660-01570	2	26
119660-01640	3	7
119660-01651	3	8
119660-01821	7	8
119660-01911	2	9
119660-25022	7	18
119660-25052	7	19
119660-25920	7	14
119660-25930	7	15
119660-32020	9	11
	15	12
119660-51500	11	30
119660-51530	11	32
119660-61052	12	15
119660-61060	12	2
119660-61071	12	3
119660-61121	12	10
119660-61140	12	11
119660-61150	12	12
119660-61300	12	8
119660-61341	12	9
119660-61460	12	16
119660-61590	12	24
119660-61651	12	43
119660-61901	12	48
119663-77200	14	1
119808-12540	5	8
119810-77340	14	22
119840-61870	12	56

## Parts No. Index

Parts No.	Fig. No.	Ref. No.
119865-12600	5	12
120323-61470	12	66 -1
121023-01550	2	30
121120-01620	3	3
121250-44901	10	27
121450-01560	2	4
121450-42450	10	14
121465-59950	12	1
121520-01851	2	33
	15	15
121520-01860	2	34
121520-34810	9	13
121575-66830	12	91
123482-01900	11	82
124060-01050	1	4
124066-59100	11	90
124085-02220	3	9
124160-01751	2	27
	4	45
124160-11360	4	54
124190-77110	13	11
124195-77770	13	10
124250-03640	12	104
124465-44950	10	15
		28
	15	14
124550-66370	12	60
124766-59050	11	98
124950-21600	8	10
129100-01580	3	1
	8	6
129100-61930	12	57
129150-35350	9	27
129150-59120	11	66
129150-59131	11	69
129155-51280	12	13
129155-61470	12	66
129155-61480	12	19
129155-61590	12	70
129155-61830	11	65
129155-77801	4	56
129209-61940	12	108
129209-61970	12	113
129400-92400	15	20
135210-61090	12	105
171009-44760	10	20
171056-49120	1	21
174307-51700	12	26
194990-22050	2	17
	12	98

Parts No.	Fig. No.	Ref. No.
22117-040000	12	44
22190-060003	12	94
		94 -1
22190-080002	11	87
22190-120002	11	88
	12	95
	15	16
22190-140002	11	96
22190-160002	3	15
22242-000100	4	32
22242-000200	7	24
22272-000040	12	45
22322-030160	12	52
22351-030014	12	46
22351-040010	2	5
	12	53
22351-060012	4	23
22360-040000	12	96
22360-060000	12	97
22451-060000	12	106
22512-040120	7	5
		11
22857-500100	4	51
23000-054000	5	16
23065-120800	4	52
23414-120016	12	114
23876-030000	4	6
	10	11
24101-062034	7	26
24102-063034	7	13
24311-000120	4	55
	15	17
24311-000150	12	110
24311-000320	2	28
	4	46
	15	4
24321-000350	15	18
24341-000070	12	54
24341-000240	2	31
	15	8
24341-000280	12	63
26022-040082	11	42
26033-040102	11	34 A
26106-060102	3	16
	12	55
26106-060122	1	20
	4	43
	7	25
	9	16
26106-060142	5	17

Parts No.	Fig. No.	Ref. No.
26106-060162	2	19
		32
		35
	5	3
	7	16
	10	25
26106-060222	3	10
	10	21
26106-060282	5	4
26106-060302	2	20
26106-060402	2	21
	6	3
26106-060452	3	17
26106-060502	2	22
26106-060552	10	26
26106-060652	2	23
26106-060702	12	99
26106-060952	12	65
26106-080162	5	18
26106-080202	14	20
26106-080452	4	41
	10	16
26106-100252	13	1
26116-050102	12	100
26116-060304	12	101
26206-100252	3	5
26216-060402	4	20
	6	4
26306-080002	4	19 -1
	14	23 -1
26366-060002	2	29
	4	21
	6	6
26366-080002	4	19
	14	23
26450-060202	9	12
26587-080102	7	17
26736-120002	12	103 -1
26756-060002	4	36
		40
	12	102
26776-120002	12	103
26857-060002	12	60 -1
27221-050080	4	7
27221-060100	1	5
27241-100000	1	7
27241-250000	1	8
27241-300000	1	9
27241-350000	4	8
27310-055001	4	13

Parts No.	Fig. No.	Ref. No.
719255-53100	11	44
719260-11650	4	33
719260-11660	4	37
719260-11700	4	1
719260-21700	8	1
719260-23600	8	35
719260-23610	8	37
719266-51100	11	1
719270-01560	1	1
719270-22501	8	16
719270-22541	8	26
719270-22821	8	24
719270-92620	15	1
977770-01212	15	19
X2114275070	13	3
X2114283500	13	4
X2114430010	13	5
X2114531200	13	21
X2114535200	13	6
		16
X2114586700	13	8
X2114660130	13	9
X2114715500	13	12
X2114780060	13	13
X2114811000	13	14
X2114821500	13	22
X2114831300	13	18
X2114866060	13	15
X2114921040	13	20
X2114931400	13	19
X2114990010	13	17
X2A07071KA	14	3
X3A08344KB	14	11
X4A04060K01	14	12
X4A07023KC	14	4
X4A07130K01	14	14
XM069000000	14	7
XM178780000	14	8
XM183780000	14	2
XM219230000	14	16
XM274360000	14	5
XM329830000	14	6
XM721740000	14	13
XM771870000	14	18
XM860250000	14	15
XM863720000	14	17
XYSPS400800	14	10
XYSPS402400	14	9