

0CB10-M60200EN

Directions for the Parts Catalog.

1. This Parts Catalog shows both standard and optional parts.
2. Parts may change without prior notice.
3. The following is an example of the Parts Catalog format.

REF.	LEV.	PARTS NO.	DESCRIPTION	Q'TY						I	R
				(A)	(B)	(C)	(D)	(E)	(F)		
1	1	729595-51390	FUEL INJECTION PUMP	1	1	1	1	1			1
1-1	1	729595-51391	FUEL INJECTION PUMP	1	1	1	1	1		N	1
		(A=E00185) (B=E00200)									
3	2	26022-060162	SCREW M 6X 16	9	9	9	9	9			
3-1	2	26022-060162	SCREW M 6X 16	4	4	4	4	4		K	
		(A=E00156) (B=E00156) (C=E00156) (D=E00156) (E=E00156)									
4	2	129470-51040	CAMSHAFT	1	1	1	1	1			
5	2	122710-51050	BEARING, ROLLER	2	2	2	2	2			
6	2	129470-51060	RETAINER	1	1	1	1	1			

Remarks
(1) BOOST COMPEMSATOR TYPE. OPTIONAL PART, TO E00155,(4JH-DT, 4JH-DTZ

① Ref. No.

The Ref. No. listed may not be in accordance with the illustration Ref. No.

(Ex.) Illustration No.

List Ref No.

1

1

(Before change)

1-1

(After change)

For interchangeable symbols N, R and K, illustrations for new parts may be abbreviated.

② Lev. (Level)

Level indication

The numbers below indicate the level of relativity towards the main part.

1 ----- Main parts (Assembly parts)

2 ----- Sub component included in " 1 ".

3 ----- Sub component included in " 2 ".

Note) Parts that are not for sale are partially illustrated but not listed.

③ Interchangeability Symbol

When a part change takes place, one of the following interchangeability symbols is indicated beside the part.

Symbol	Interchangeability	Contents note
N	Old $\begin{matrix} \leftarrow \text{Yes} \\ \text{No} \rightarrow \end{matrix}$ New	New Part is interchangeable for Old Part but Old Part is not interchangeable for New Part.
Q	Old $\begin{matrix} \leftarrow \text{No} \\ \text{Yes} \rightarrow \end{matrix}$ New	New Part is not interchangeable for Old Part but Old Part is interchangeable for New Part.
R	Old $\begin{matrix} \leftarrow \text{Yes} \\ \text{Yes} \rightarrow \end{matrix}$ New	New/ Old Parts are both interchangeable.
S	Old $\begin{matrix} \leftarrow \text{No} \\ \text{No} \rightarrow \end{matrix}$ New	New/ Old Parts are both not interchangeable.
W		Part newly added.
Z		Part discontinued.
F		Not interchangeable by a single part but interchangeable together with related parts.
K		Changes only for used parts quantities.

④ Effective Machine No.

When a part changes, the effective Machine No. will be indicated in the (A)-(F) column.

Product Symbol	Product No.	Product Symbol	Product No.
C	Clutch No. Compressor No.	F	Machine No. (Agricultural Equip.)
D	Drive No.	M	Machine No.
E	Engine No.		

Note 1) A date may follow the symbol. (Ex.) 1996.01

Note 2) "XXXXX" and "ZZZZZ" are for parts that could not be predicted or for engine models that could not be identified.

Note 3) (A=E00185) is the E (Engine Serial Number) for the column (A) model (in this case 4JH-DT) after the parts design change.

⑤ Remarks

Figures or alphabets (symbols) are entered in the remarks column.

The comments (remarks) on parts that are indicated at the bottom of the illustration are the same symbols as those stated above.

Contents

OCB10-M60200

Fig. No.	Fig. Name
3TNE68-GB2, 3TNE68-GB2S	
1.	CYLINDER BLOCK
2.	GEAR HOUSING
3.	FLYWHEEL HOUSING & OIL SUMP
4.	CYLINDER HEAD & BONNET
5.	SUCTION MANIFOLD & AIR CLEANER
6.	EXHAUST MANIFOLD & SILENCER
7.	CAMSHAFT & DRIVING GEAR
8.	CRANKSHAFT & PISTON
9.	LUB. OIL SYSTEM
10.	COOLING WATER SYSTEM
11.	FUEL INJECTION PUMP
12.	GOVERNOR
13.	FUEL INJECTION VALVE
14.	FUEL LINE
15.	STARTING MOTOR
16.	GENERATOR
17.	ELECTRICAL PARTS
18.	GASKET SET & TOOLS
3TNE74-GB2, 3TNE74-GB2S	
19.	CYLINDER BLOCK
20.	GEAR HOUSING
21.	FLYWHEEL HOUSING & OIL SUMP
22.	CYLINDER HEAD & BONNET

Fig. No.	Fig. Name
23.	SUCTION MANIFOLD & AIR CLEANER
24.	EXHAUST MANIFOLD & SILENCER
25.	CAMSHAFT & DRIVING GEAR
26.	CRANKSHAFT & PISTON
27.	LUB. OIL SYSTEM
28.	COOLING WATER SYSTEM
29.	FUEL INJECTION PUMP
30.	GOVERNOR
31.	FUEL INJECTION VALVE
32.	FUEL LINE
33.	STARTING MOTOR
34.	GENERATOR
35.	ELECTRICAL PARTS
36.	GASKET SET & TOOLS
3TNE84-GB2, 3TNE84-GB2S	
37.	CYLINDER BLOCK
38.	GEAR HOUSING
39.	FLYWHEEL HOUSING & OIL SUMP
40.	CYLINDER HEAD & BONNET
41.	SUCTION MANIFOLD & AIR CLEANER
42.	EXHAUST MANIFOLD & SILENCER
43.	CAMSHAFT & DRIVING GEAR
44.	CRANKSHAFT & PISTON
45.	LUB. OIL SYSTEM

Contents

OCB10-M60200

Fig. No. Fig. Name

- 46. COOLING WATER SYSTEM
- 47. FUEL INJECTION PUMP
- 48. GOVERNOR
- 49. FUEL INJECTION VALVE
- 50. FUEL LINE
- 51. STARTING MOTOR
- 52. GENERATOR
- 53. ELECTRICAL PARTS
- 54. GASKET SET & TOOLS

4TNE84-GB2, 4TNE84-GB2S

- 55. CYLINDER BLOCK
- 56. GEAR HOUSING
- 57. FLYWHEEL HOUSING & OIL SUMP
- 58. CYLINDER HEAD & BONNET
- 59. SUCTION MANIFOLD & AIR CLEANER
- 60. EXHAUST MANIFOLD & SILENCER
- 61. CAMSHAFT & DRIVING GEAR
- 62. CRANKSHAFT & PISTON
- 63. LUB. OIL SYSTEM
- 64. COOLING WATER SYSTEM
- 65. FUEL INJECTION PUMP
- 66. GOVERNOR
- 67. FUEL INJECTION VALVE
- 68. FUEL LINE

Fig. No. Fig. Name

- 69. STARTING MOTOR
- 70. GENERATOR
- 71. ELECTRICAL PARTS
- 72. GASKET SET & TOOLS

4TNE84T-GB2S

- 73. CYLINDER BLOCK
- 74. GEAR HOUSING
- 75. FLYWHEEL HOUSING & OIL SUMP
- 76. CYLINDER HEAD & BONNET
- 77. SUCTION MANIFOLD & AIR CLEANER
- 78. EXHAUST MANIFOLD
- 79. CAMSHAFT & DRIVING GEAR
- 80. TURBO CHARGER
- 81. CRANKSHAFT & PISTON
- 82. LUB. OIL SYSTEM
- 83. LUB. OIL LINE
- 84. COOLING WATER SYSTEM
- 85. FUEL INJECTION PUMP
- 86. GOVERNOR
- 87. FUEL INJECTION VALVE
- 88. FUEL LINE
- 89. STARTING MOTOR
- 90. GENERATOR
- 91. ELECTRICAL PARTS

Contents

0CB10-M60200

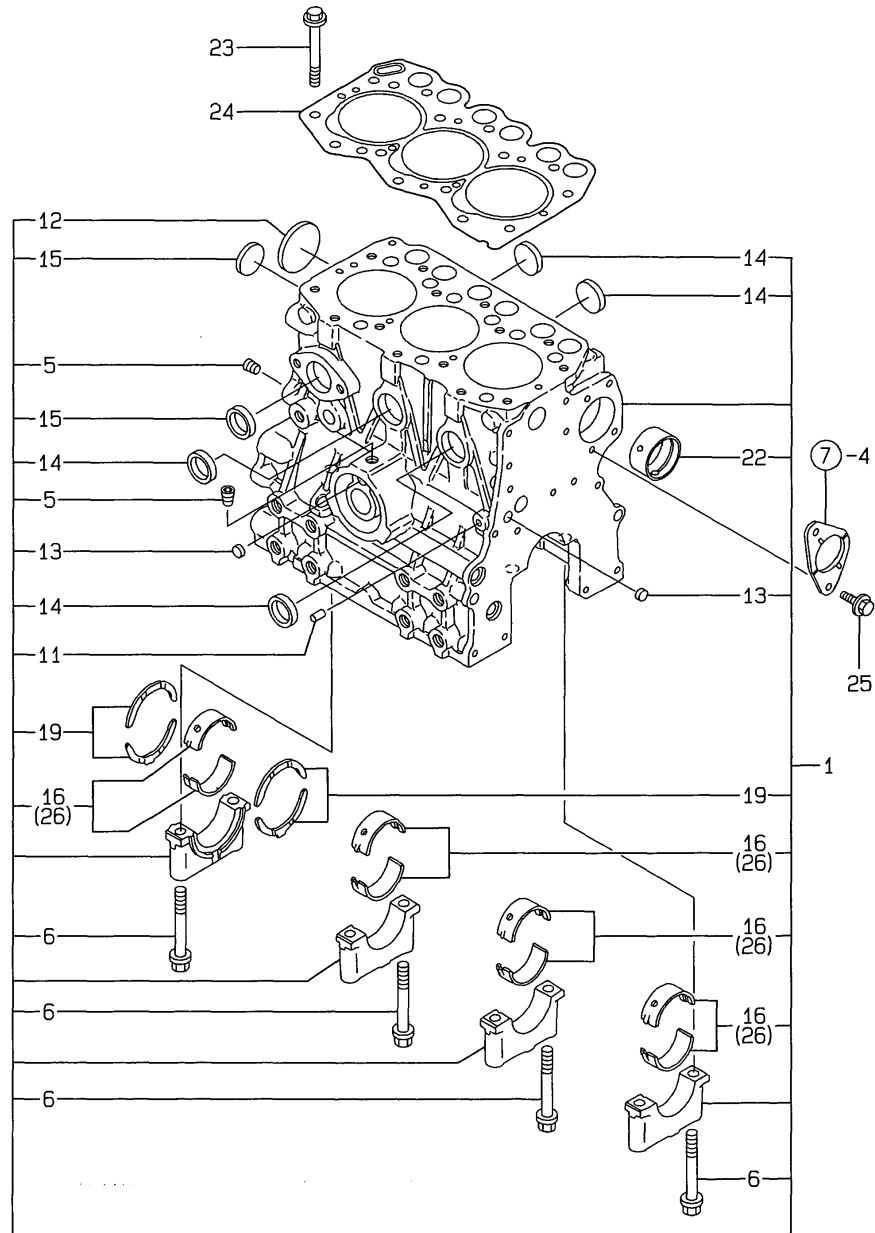
Fig. No. Fig. Name

Fig. No. Fig. Name

92. GASKET SET & TOOLS

Fig.1. CYLINDER BLOCK

1. CYLINDER BLOCK



(A)=3TNE68-GB2
(B)=3TNE68-GB2S
(C)=

(D)=
(E)=
(F)=

No.	Lev.	Parts No.	Description	Q'ty						I	R
				(A)	(B)	(C)	(D)	(E)	(F)		
1	1	719265-01560	BLOCK ASSY, CYLINDER	1	1						
5	2	124060-01050	PLUG, PT1/8	2	2						
6	2	119260-02020	BOLT, METAL CAP	8	8						
11	2	27221-060100	PLUG, 6X10	1	1						
12	2	27231-400000	PLUG 40	1	1						
13	2	27241-100000	PLUG, 10	2	2						
14	2	27241-250000	PLUG, 25	4	4						
15	2	27241-300000	PLUG 30	2	2						
16	2	719260-02800	BEARING, MAIN	4	4						
19	2	719260-02930	BEARING, THRUST	2	2						
22	2	119266-02410	BUSH	1	1						
23	1	119266-01200	BOLT, HEAD	14	14						
24	1	119265-01341	GASKET, HEAD	1	1						
25	1	26106-060122	BOLT, M6X 12 PLATED	2	2						
26	1	719260-02870	BEARING, 0.25 US	4	4						1

Remarks

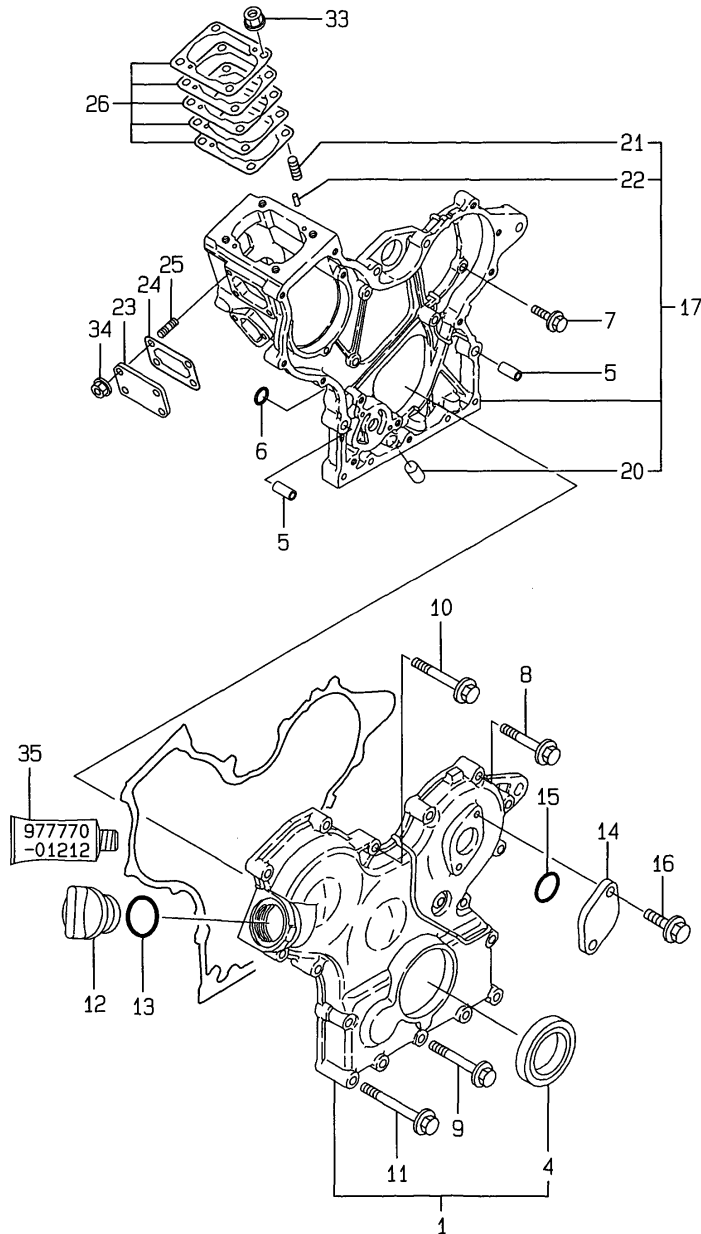
(1) UNDER-SIZE(U.S=0.25)PART.

Fig.2. GEAR HOUSING

(A)=3TNE68-GB2
(B)=3TNE68-GB2S
(C)=

(D)=
(E)=
(F)=

2. GEAR HOUSING

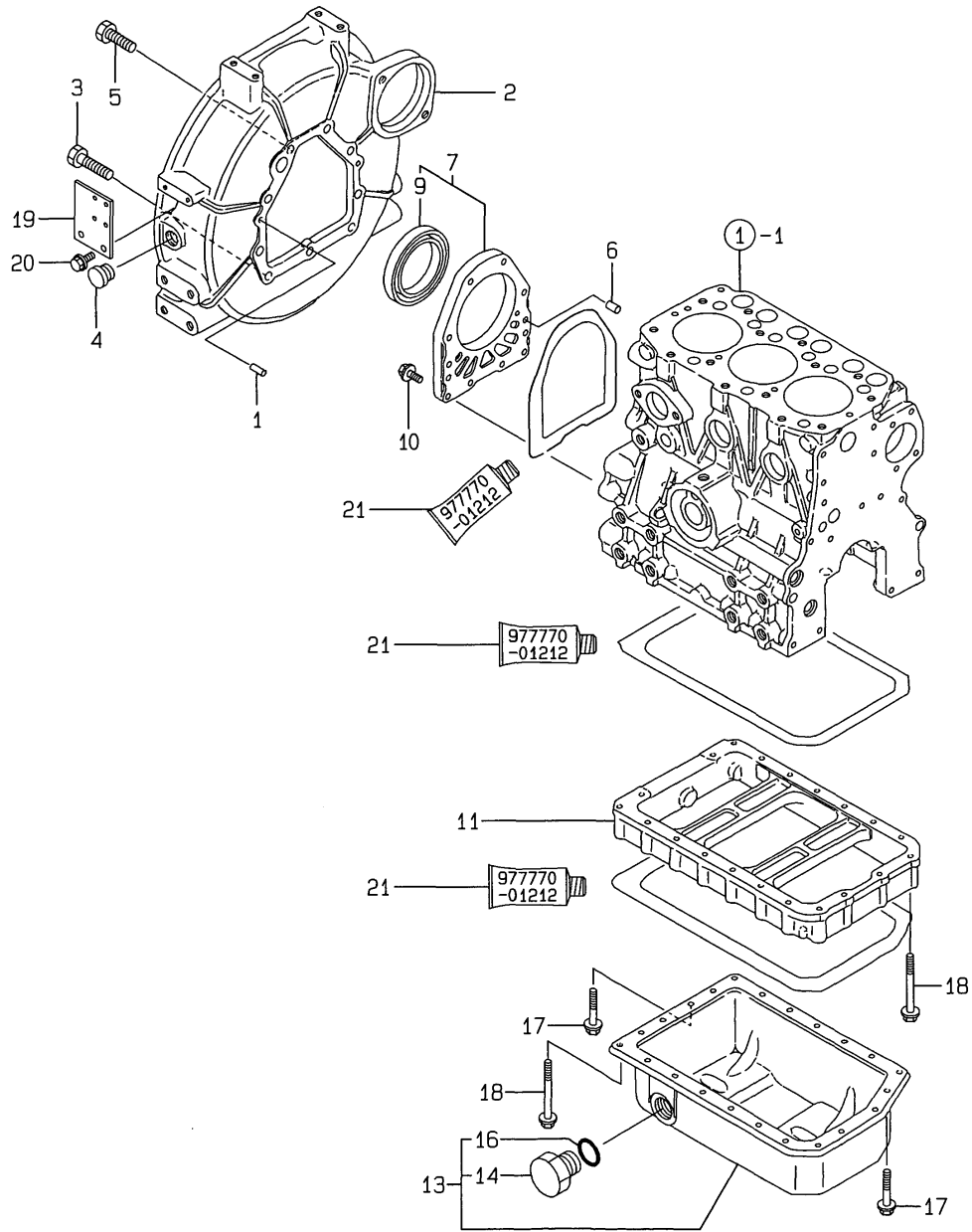


No.	Lev.	Parts No.	Description	Q'ty						I	R
				(A)	(B)	(C)	(D)	(E)	(F)		
1	1	119260-01590	COVER ASSY,GEAR CASE	1	1						
4	2	119620-01800	SEAL, OIL	1	1						
5	1	119660-01911	PIPE, KNOCK	4	4						
6	1	24311-000120	O-RING, 1AP12.0	2	2						
7	1	26106-060162	BOLT, M6X 16 PLATED	5	5						
8	1	26106-060302	BOLT, M6X 30 PLATED	5	5						
9	1	26106-060402	BOLT, M6X 40 PLATED	3	3						
10	1	26106-060502	BOLT, M6X 50 PLATED	4	4						
11	1	26106-060652	BOLT, M6X 65 PLATED	6	6						
12	1	124160-01751	COVER, FILLER	1	1						
13	1	24311-000320	O-RING, 1AP32.0	1	1						
14	1	121023-01550	COVER	1	1						
15	1	24341-000240	O-RING, 1AS24.0	1	1						
16	1	26106-060162	BOLT, M6X 16 PLATED	2	2						
17	1	119260-01490	CASE ASSY, GEAR	1	1						
20	2	119260-01510	PLUG	1	1						
21	2	121450-01560	STUD, M8X22	4	4						
22	2	22351-040010	PIN, SPRING 4.0X10	2	2						
23	1	119660-01551	COVER	1	1						
24	1	119660-01562	GASKET	1	1						
25	1	119660-01570	STUD, M6X12	4	4						
26	1	119623-01950	SHIM SET, ADJUSTING	1	1						
33	1	194990-22050	NUT, M8	4	4						
34	1	26366-060002	NUT, M6	4	4						
35	1	977770-01212	GASKET, LIQUID	1	1						1

Remarks
(1) OPTIONAL PART.

Fig.3. FLYWHEEL HOUSING & OIL SUMP

3.FLYWHEEL HOUSING & LUB.OIL SUMP



(A)=3TNE68-GB2
(B)=3TNE68-GB2S
(C)=

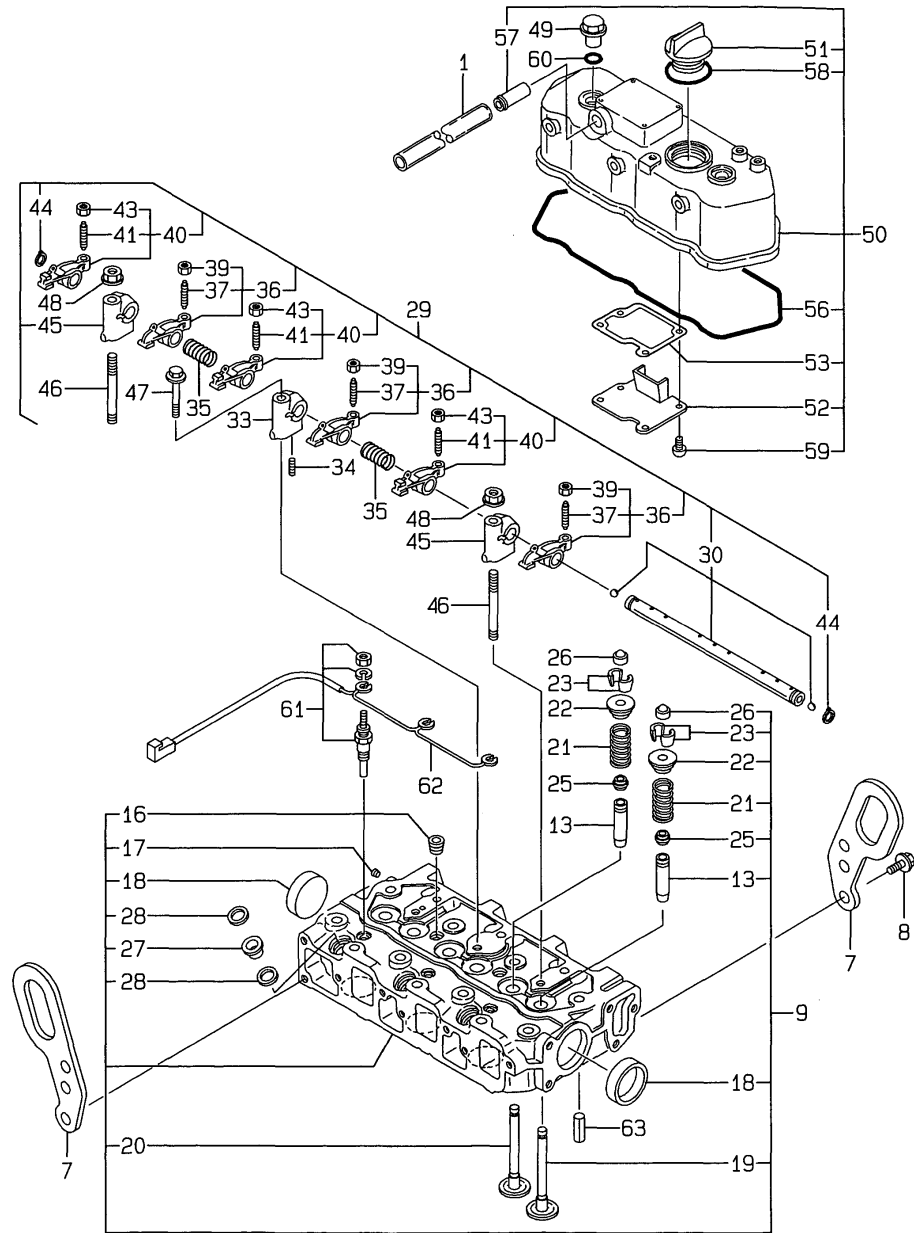
(D)=
(E)=
(F)=

No.	Lev.	Parts No.	Description	Q'ty						I	R
				(A)	(B)	(C)	(D)	(E)	(F)		
1	1	129100-01580	PIN, M8X16	2	2						
2	1	119600-01600	HOUSING, FLYWHEEL	1	1						
3	1	121120-01620	BOLT, M10X28	3	3						
4	1	119620-01750	CAP	1	1						
5	1	26206-100252	BOLT, M10X 25 PLATED	6	6						
6	1	119620-01620	PIN, M6X10	2	2						
7	1	119660-01640	CASE ASSY, OIL SEAL	1	1						
9	2	124085-02220	SEAL, OIL	1	1						
10	1	26106-060222	BOLT, M6X 22 PLATED	10	10						
11	1	119454-01721	SPACER, OIL SUMP	1	1						
13	1	119260-01770	SUMP ASSY, OIL	1	1						
14	2	121400-01640	PLUG, 16	1	1						
16	2	24311-000180	O-RING, 1AP18.0	1	1						
17	1	26106-060102	BOLT, M6X 10 PLATED	3	3						
18	1	26106-060452	BOLT, M6X 45 PLATED	20	20						
19	1	129111-67010	SUPPORT, WIRE	1	1						
20	1	26106-080162	BOLT, M8X 16 PLATED	2	2						
21	1	977770-01212	GASKET, LIQUID	1	1						1

Remarks
(1) OPTIONAL PART.

Fig.4. CYLINDER HEAD & BONNET

4. CYLINDER HEAD & BONNET



(A)=3TNE68-GB2
(B)=3TNE68-GB2S
(C)=

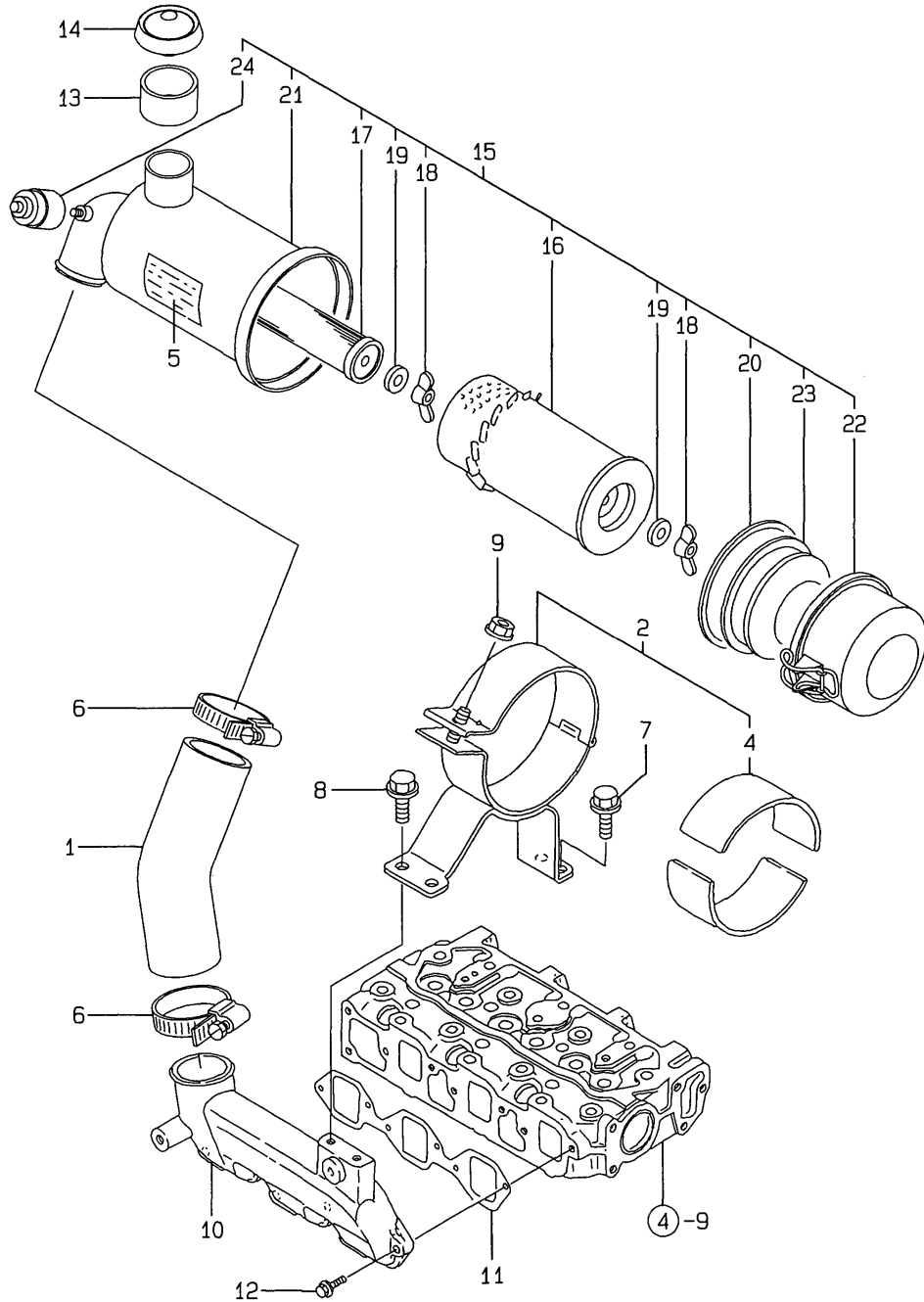
(D)=
(E)=
(F)=

No.	Lev.	Parts No.	Description	Q'ty						I	R
				(A)	(B)	(C)	(D)	(E)	(F)		
1	1	23065-120500	PIPE, 12X 500	1	1						
7	1	119260-07900	LIFTER	2	2						
8	1	26106-080142	BOLT, M8X 14 PLATED	1	1						
9	1	119265-11700	HEAD ASSY, CYLINDER	1	1						
13	2	119260-11800	GUIDE, VALVE	6	6						1
16	2	23871-030000	PLUG, R03	2	2						
17	2	27221-050080	PLUG, 5X 8	1	1						
18	2	27241-350000	PLUG, 35	2	2						
19	2	119260-11100	VALVE, INTAKE	3	3						
20	2	119260-11110	VALVE, EXHAUST	3	3						
21	2	114250-11120	SPRING, VALVE	6	6						
22	2	114250-11180	RETAINER, SPRING	6	6						
23	2	714250-11570	COTTER ASSY	6	6						
25	2	119260-11340	SEAL, VALVE STEM	6	6						
26	2	119260-11370	CAP, VALVE	6	6						
27	2	119600-11450	PROTECTOR, NOZZLE	3	3						
28	2	119600-11460	GASKET, NOZZLE	6	6						
29	1	119260-11200	SUPPORT ASSY, ARM	1	1						
30	2	119260-11240	SHAFT ASSY, ROCKER	1	1						
33	2	119260-11260	SUPPORT, ROCKER ARM	1	1						
34	2	119260-11270	SCREW	1	1						
35	2	119260-11280	SPRING	2	2						
36	2	719260-11650	ARM ASSY, ROCKER	3	3						
37	3	105010-11230	SCREW, VALVE ADJUST	3	3						
39	3	26756-060002	NUT, LOCK M6	3	3						
40	2	719260-11660	ARM ASSY, ROCKER	3	3						
41	3	105010-11230	SCREW, VALVE ADJUST	3	3						
43	3	26756-060002	NUT, LOCK M6	3	3						
44	2	22242-000100	RING, 10	2	2						
45	2	119265-11260	SUPPORT, ROCKER ARM	2	2						
46	1	119620-11350	STUD	2	2						
47	1	26106-080452	BOLT, M8X 45 PLATED	1	1						
48	1	26366-080002	NUT, M8	2	2						
49	1	124160-11360	KNOB	2	2						
50	1	119260-11330	BONNET ASSY, HEAD	1	1						
51	2	124160-01751	COVER, FILLER	1	1						
52	2	119260-03020	PLATE, SHELTER	1	1						
53	2	119260-03031	GASKET	1	1						
56	2	119260-11310	GASKET, BONNET	1	1						
57	2	118400-03060	JOINT, BREATHER	1	1						
58	2	24311-000320	O-RING, 1AP32.0	1	1						
59	2	22857-500100	SCREW, 5X10	4	4						
60	1	24311-000120	O-RING, 1AP12.0	2	2						
61	1	129795-77800	PLUG, GLOW	3	3						
62	1	119620-77820	CONNECTOR, GLOW PLUG	1	1						
63	1	22351-060012	PIN, SPRING 6.0X12	2	2						

Remarks
(1) REPAIR PART.

Fig.5. SUCTION MANIFOLD & AIR CLEANER

5. SUCTION MANIFOLD & AIR CLEANER



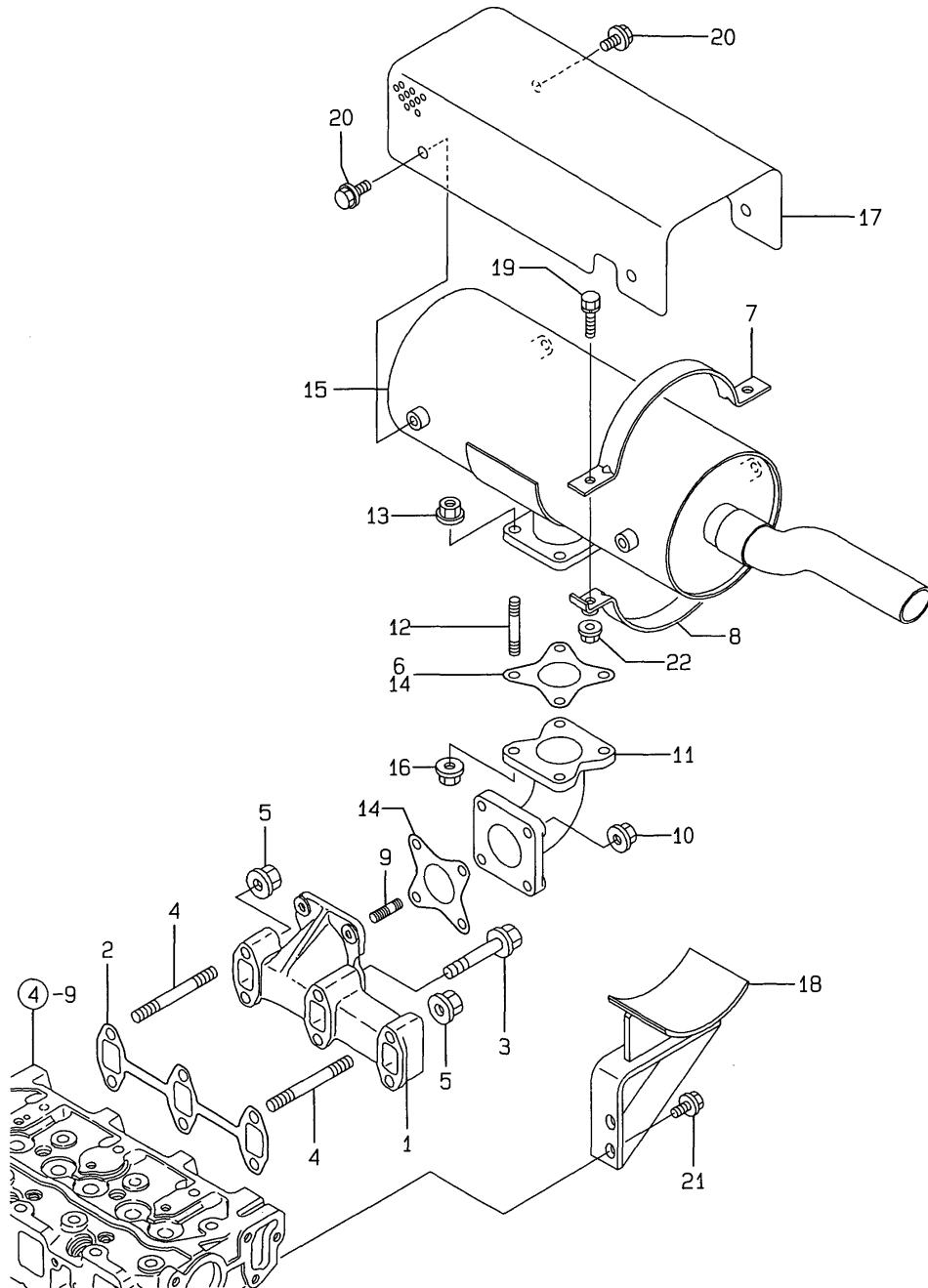
(A)=3TNE68-GB2
(B)=3TNE68-GB2S
(C)=

(D)=
(E)=
(F)=

No.	Lev.	Parts No.	Description	Q'ty						I	R
				(A)	(B)	(C)	(D)	(E)	(F)		
1	1	119462-12550	PIPE, AIR INTAKE	1	1						
2	1	119288-12590	SUPPORT ASSY,CLEANER	1	1						
4	2	119640-12580	SEAT, RUBBER	2	2						
5	1	129136-12600	LABEL, AIR CLEANER	1	1						
6	1	23000-060000	CLAMP, 60	2	1						
7	1	26106-060122	BOLT, M6X 12 PLATED	2	2						
8	1	26106-080162	BOLT, M8X 16 PLATED	2	2						
9	1	26366-060002	NUT, M6	1	1						
10	1	119288-12100	MANIFOLD, AIR INTAKE	1	1						
11	1	119260-12111	GASKET, MANIFOLD	1	1						
12	1	26106-060202	BOLT, M6X 20 PLATED	4	4						
13	1	119288-12050	JOINT, PIPE	1							
14	1	121521-12400	CAP, RAIN	1							
15	1	119249-12500	CLEANER ASSY, AIR	1	1						
16	2	119631-12520	ELEMENT	1	1						
17	2	119631-12530	ELEMENT	1	1						
18	2	119631-12540	NUT	2	2						
19	2	119631-12550	WASHER	2	2						
20	2	119631-12570	GASKET	1	1						
21	2	119249-12610	BODY	1	1						
22	2	121472-12660	CAP	1	1						
23	2	121465-12700	RETAINER, ELEMENT	1	1						
24	2	121492-12950	INDICATOR	1	1						

Fig.6. EXHAUST MANIFOLD & SILENCER

6. EXHAUST MANIFOLD & SILENCER



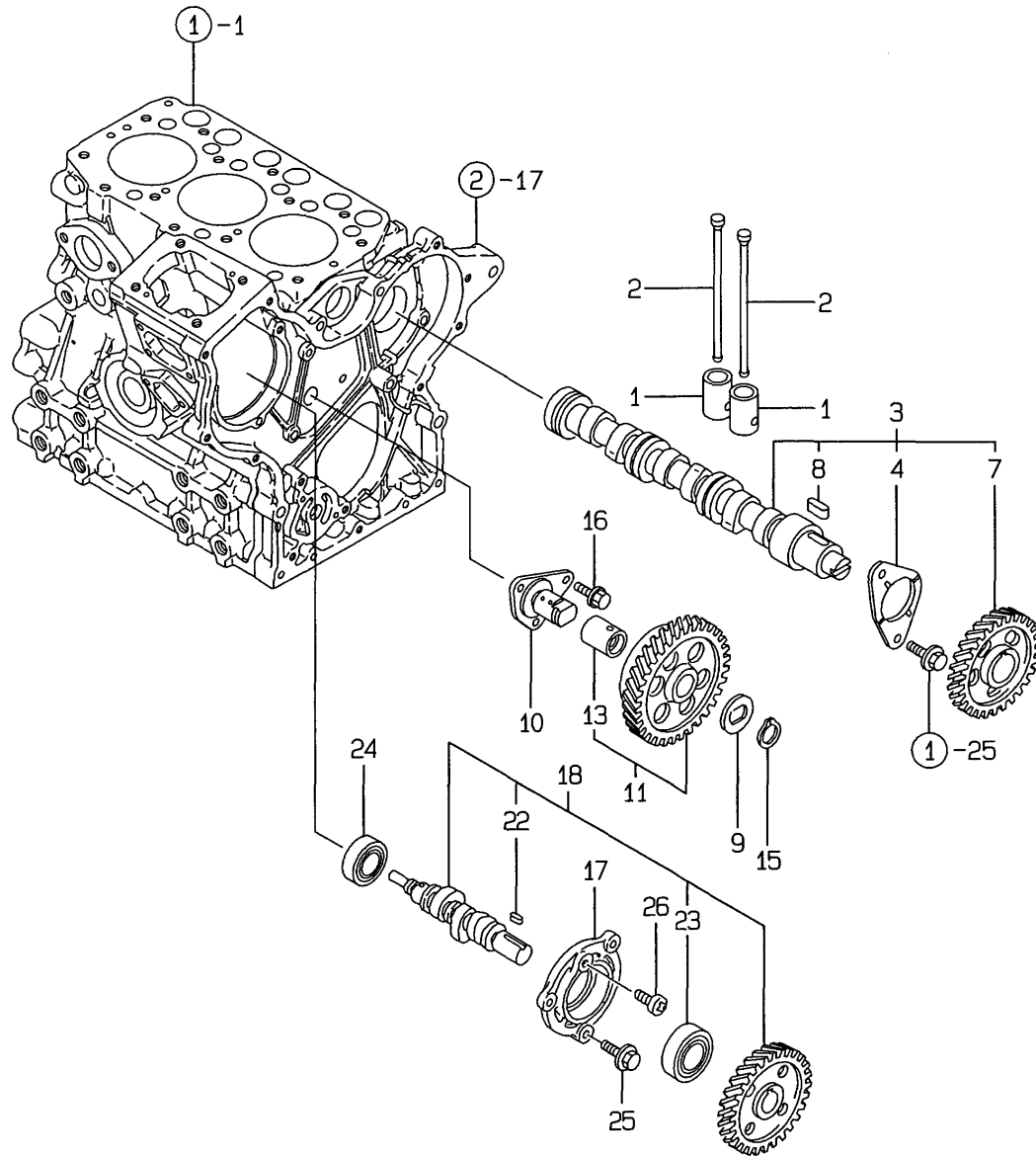
(A)=3TNE68-GB2
(B)=3TNE68-GB2S
(C)=

(D)=
(E)=
(F)=

No.	Lev.	Parts No.	Description	Q'ty						I	R
				(A)	(B)	(C)	(D)	(E)	(F)		
1	1	119260-13100	MANIFOLD, EXHAUST	1	1						
2	1	119260-13110	GASKET	1	1						
3	1	26106-060352	BOLT, M6X 35 PLATED	4	4						
4	1	26216-080502	STUD, M8X 50	2	2						
5	1	26366-060002	NUT, M6	2	4						
6	1	121000-13201	GASKET, SILENCER		1						
7	1	119888-13670	BAND, SILENCER	1							
8	1	119888-13680	BAND, SILENCER	1							
9	1	119131-18320	STUD, M8X22	4	4						
10	1	26366-060002	NUT, M6		2						
11	1	119620-13550	BEND	1	1						
12	1	119131-18320	STUD, M8X22	4	4						
13	1	26366-080002	NUT, M8	4							
14	1	121000-13201	GASKET, SILENCER	2	1						
15	1	119288-13501	SILENCER	1							
16	1	26366-080002	NUT, M8	4							
17	1	119888-13600	COVER, SILENCER	1							
18	1	119288-13650	STAY, SILENCER	1							
19	1	26014-080302	BOLT, M8X 30	2							
20	1	26106-080122	BOLT, M8X 12 PLATED	4							
21	1	26106-080162	BOLT, M8X 16 PLATED	2							
22	1	26366-080002	NUT, M8	4							

Fig.7. CAMSHAFT & DRIVING GEAR

7. CAMSHAFT & DRIVING GEAR



(A)=3TNE68-GB2
(B)=3TNE68-GB2S
(C)=

(D)=
(E)=
(F)=

No.	Lev.	Parts No.	Description	Q'ty						I	R
				(A)	(B)	(C)	(D)	(E)	(F)		
1	1	119260-14200	TAPPET	6	6						
2	1	119260-14400	ROD, PUSH	6	6						
3	1	119260-14580	CAMSHAFT ASSY	1	1						
4	2	119620-02450	BEARING, THRUST	1	1						
7	2	119260-14100	GEAR, CAMSHAFT	1	1						
8	2	22512-040120	KEY, 4X 12	1	1						
9	1	119660-25022	RETAINER	1	1						
10	1	119660-25052	SHAFT, IDLE	1	1						
11	1	119260-25100	GEAR ASSY, IDLE	1	1						
13	2	119620-25912	BUSH	1	1						1
15	1	22242-000200	RING, 20	1	1						
16	1	26106-060122	BOLT, M6X 12 PLATED	3	3						
17	1	119660-01821	BEARING, FUEL CAM	1	1						
18	1	119225-14200	CAM ASSY	1	1						
22	2	22512-040120	KEY, 4X 12	1	1						
23	2	24102-063034	BEARING, BALL 6303U	1	1						
24	1	24101-062034	BEARING, BALL 6203	1	1						
25	1	26106-060162	BOLT, M6X 16 PLATED	3	3						
26	1	26587-080102	SCREW, M8X10	1	1						

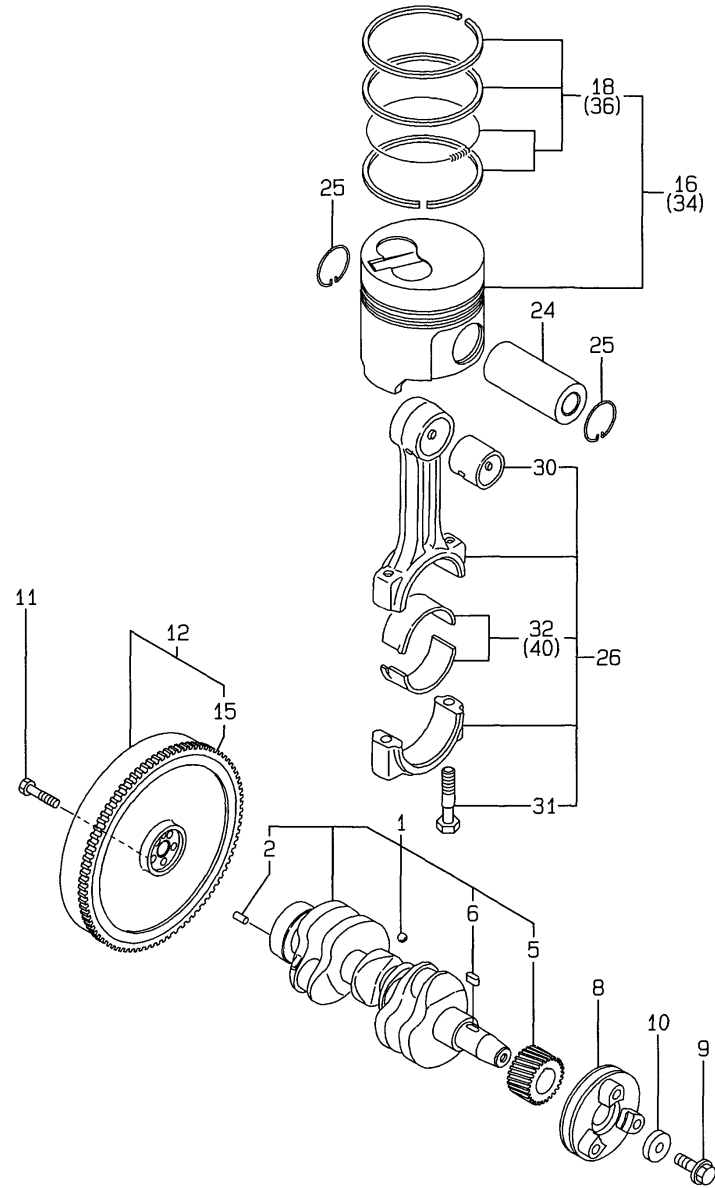
Remarks
(1) REPAIR PART.

Fig.8. CRANKSHAFT & PISTON

8. CRANKSHAFT & PISTON

(A)=3TNE68-GB2
(B)=3TNE68-GB2S
(C)=

(D)=
(E)=
(F)=



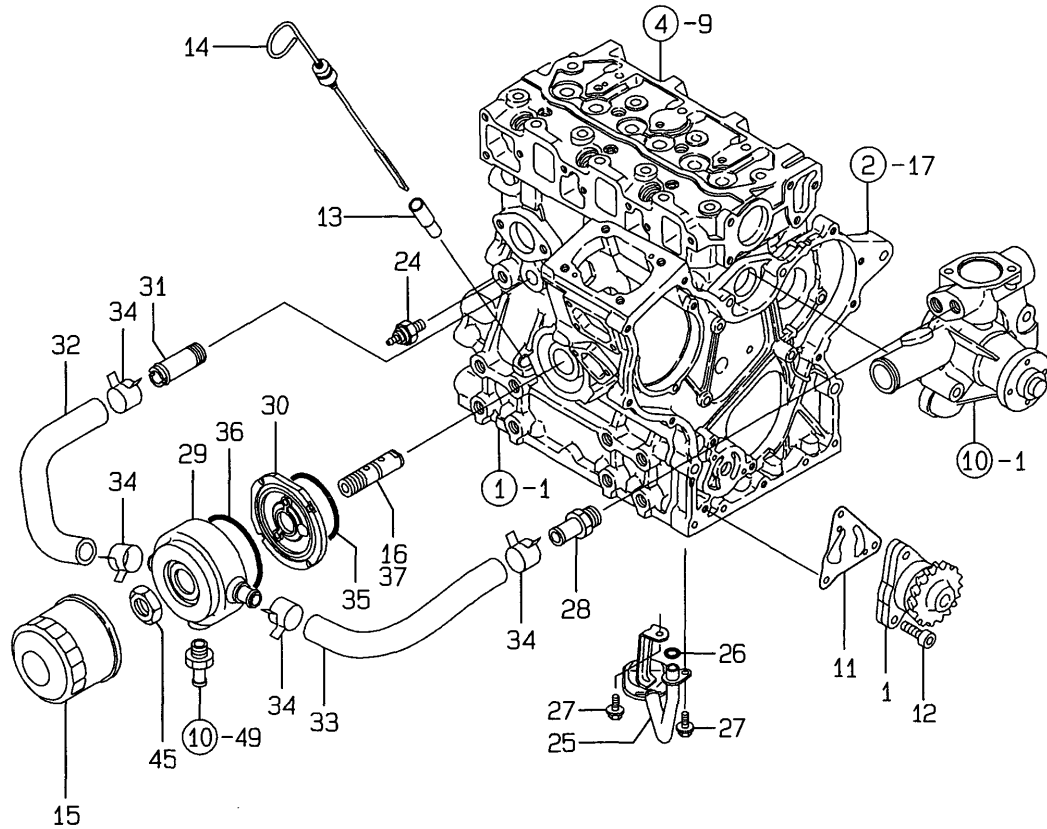
No.	Lev.	Parts No.	Description	Q'ty						I	R
				(A)	(B)	(C)	(D)	(E)	(F)		
1	1	119265-21700	CRANKSHAFT ASSY	1	1						
2	2	129100-01580	PIN, M8X16	1	1						
5	2	119260-21200	GEAR, CRANKSHAFT	1	1						
6	2	22512-040120	KEY, 4X 12	1	1						
8	1	119260-21650	V-PULLEY	1	1						
9	1	119621-21680	BOLT, FLANGE 12X1.25	1	1						
10	1	119620-21941	WASHER	1	1						
11	1	121111-21501	BOLT, FLYWHEEL	5	5						
12	1	119600-21580	FLYWHEEL ASSY	1	1						
15	2	119865-21600	GEAR, RING	1	1						
16	1	119265-22090	PISTON ASSY	3	3						
18	2	119265-22500	RING SET, PISTON	3	3						
24	1	119265-22300	PIN, PISTON	3	3						
25	1	22252-000200	RING, 20	6	6						
26	1	119265-23100	ROD ASSY, CONNECTING	3	3						
30	2	119260-23910	BEARING, PISTON PIN	3	3						1
31	2	119265-23200	BOLT, CONNECTING ROD	6	6						
32	2	719260-23600	BEARING, CRANK PIN	3	3						
34	1	719265-22900	PISTON ASSY, 0.25 OS	3	3						2
36	2	719265-22950	RING SET, 0.25 OS	3	3						2
40	1	719260-23610	BEARING ASSY, 0.25	3	3						3

Remarks

- (1) REPAIR PART.
- (2) OVER-SIZE(O.S=0.25)PART.
- (3) UNDER-SIZE(U.S=0.25)PART.

Fig.9. LUB. OIL SYSTEM

9.LUB.OIL SYSTEM



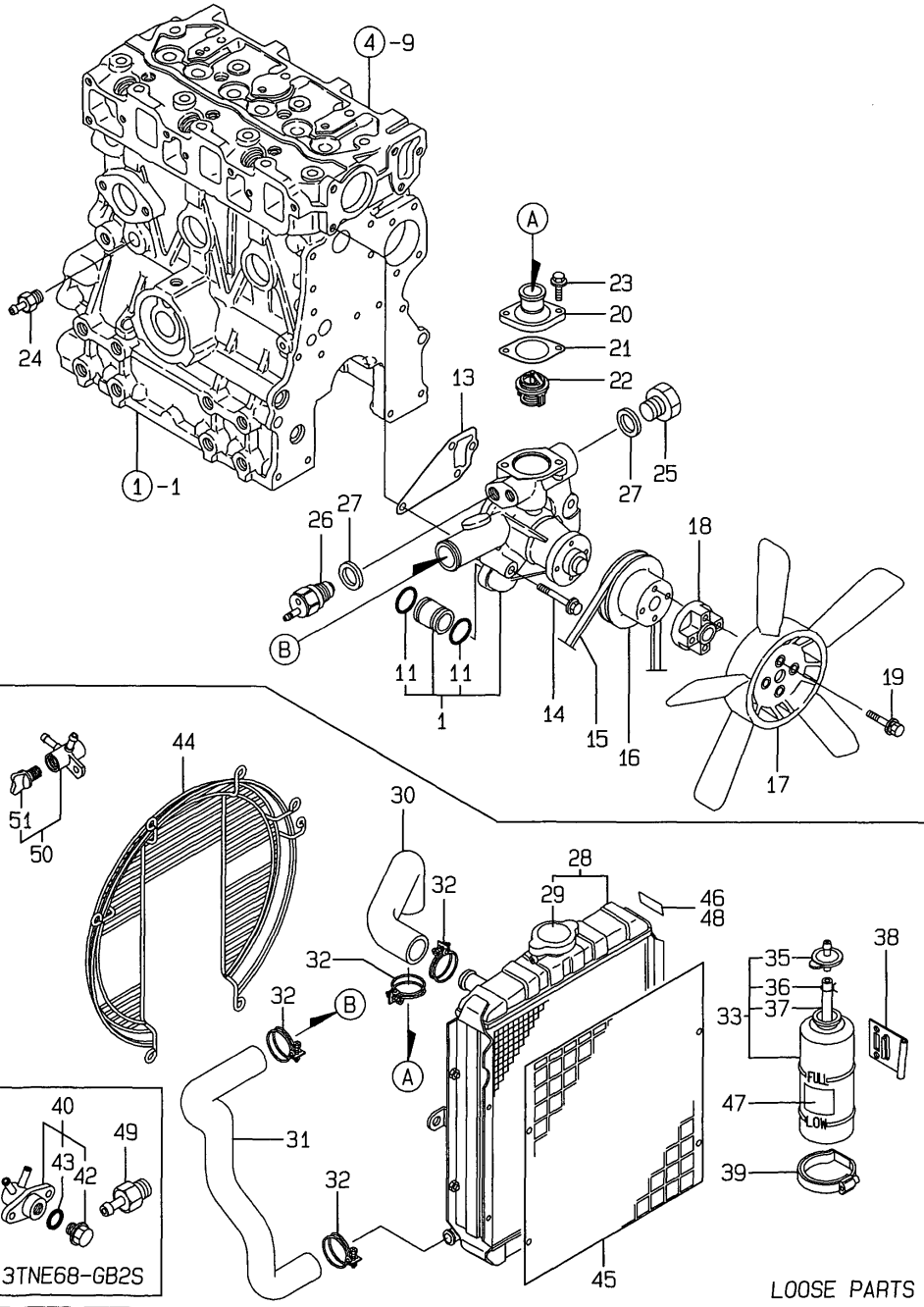
(A)=3TNE68-GB2
(B)=3TNE68-GB2S
(C)=

(D)=
(E)=
(F)=

No.	Lev.	Parts No.	Description	Q'ty						I	R
				(A)	(B)	(C)	(D)	(E)	(F)		
1	1	119260-32000	PUMP ASSY, OIL	1	1						
11	1	119660-32020	GASKET, PUMP	1	1						
12	1	26450-060202	BOLT, M6X 20	3	3						
13	1	121520-34810	GUIDE, DIPSTICK	1	1						
14	1	119265-34820	DIPSTICK, OIL	1	1						
15	1	119305-35150	FILTER, OIL	1	1						
16	1	119225-35300	VALVE ASSY	1							
24	1	124160-39450	SWITCH, 0.5KG	1	1						
25	1	119260-35081	PIPE, OIL INLET	1	1						
26	1	119209-35030	O-RING, P11	1	1						
27	1	26106-060122	BOLT, M6X 12 PLATED	2	2						
28	1	121851-11970	JOINT, PIPE		1						
29	1	119642-33030	COOLER, OIL		1						
30	1	119642-33100	BRACKET, COOLER		1						
31	1	129122-44480	JOINT		1						
32	1	119642-49030	PIPE, WATER		1						
33	1	129403-49050	PIPE, WATER		1						
34	1	171008-03990	CLIP, HOSE 18.5		4						
35	1	24321-000600	O-RING, 1AG60.0		1						
36	1	24321-000700	O-RING, 1AG70.0		1						
37	1	119265-35300	VALVE ASSY, CONTROL		1						
45	1	129150-35350	NUT	1	2						

Fig.10. COOLING WATER SYSTEM

10.COOLING WATER SYSTEM



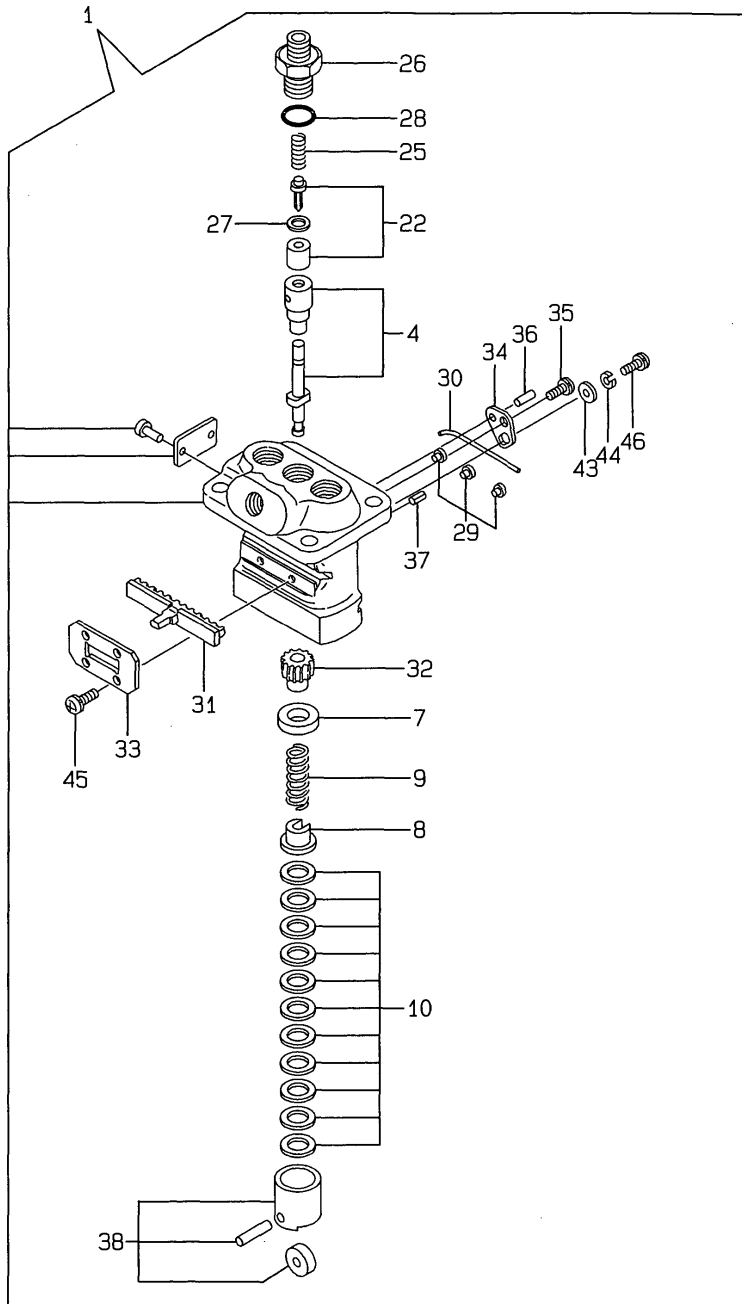
(A)=3TNE68-GB2
(B)=3TNE68-GB2S
(C)=

(D)=
(E)=
(F)=

No.	Lev.	Parts No.	Description	Q'ty						I	R
				(A)	(B)	(C)	(D)	(E)	(F)		
1	1	119265-42002	PUMP ASSY, WATER	1	1						
11	2	24311-000210	O-RING, 1AP21.0	2	2						
13	1	119260-42020	GASKET, WATER PUMP	1	1						
14	1	26106-080452	BOLT, M8X 45 PLATED	3	3						
15	1	104514-42780	V-BELT, HM33	1	1						
16	1	119620-42350	V-PULLEY	1	1						
17	1	124700-44740	FAN, COOLING 5X310	1	1						
18	1	121267-44760	SPACER	1	1						
19	1	26014-060352	BOLT, M6X 35	4	4						
20	1	129350-49530	COVER, THERMOSTAT	1	1						
21	1	129350-49541	GASKET	1	1						
22	1	129350-49800	THERMOSTAT, 71	1	1						
23	1	26106-080202	BOLT, M8X 20 PLATED	2	2						
24	1	121550-49111	JOINT, PT1/4	1	1						
25	1	121450-42450	PLUG, M16	1	1						
26	1	121250-44901	SWITCH, 110	1	1						
27	1	124465-44950	GASKET, 16	2	2						
28	1	119621-44500	RADIATOR	1	1						
29	2	119259-44570	CAP, RADIATOR	1	1						
30	1	119688-49010	PIPE, WATER	1	1						
31	1	119645-49020	PIPE, WATER	1	1						
32	1	23010-038000	CLAMP, 38	4	4						
33	1	124450-44510	TANK ASSY, SUB	1	1						
35	2	124450-44530	CAP	1	1						
36	2	124450-44560	RETAINER	1	1						
37	2	23061-070230	PIPE, 7X 230	1	1						
38	1	121256-44600	BRACKET, SUB TANK	1	1						
39	1	124450-44550	BAND	1	1						
40	1	121450-49110	COCK ASSY, 3-WAY		1						
42	2	121250-49121	PLUG, DRAIN		1						
43	2	24311-000160	O-RING, 1AP16.0		1						
44	1	119621-44560	GUARD	1	1						
45	1	119265-44590	PROTECTOR	1	1						
46	1	124764-44800	LABEL, RADIATOR	1	1						
47	1	124764-44810	LABEL, SUB TANK	1	1						
48	1	121400-44910	LABEL, RADIATOR	1	1						
49	1	129137-49100	JOINT		1						
50	1	129150-49100	COCK ASSY, 3-WAY		1						
51	2	129150-49080	COCK, DRAIN		1						

Fig.11. FUEL INJECTION PUMP

11.FUEL INJECTION PUMP



(A)=3TNE68-GB2
(B)=3TNE68-GB2S
(C)=

(D)=
(E)=
(F)=

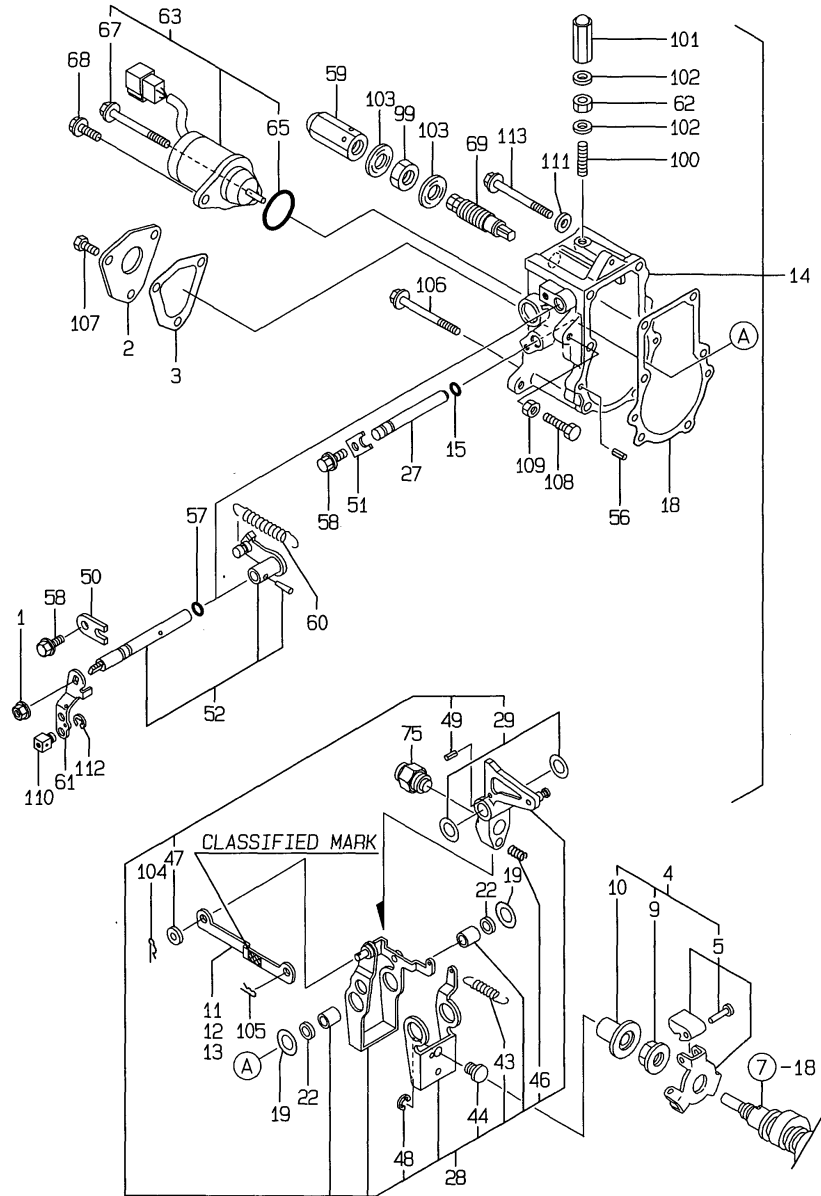
No.	Lev.	Parts No.	Description	Q'ty						I	R
				(A)	(B)	(C)	(D)	(E)	(F)		
1	1	719225-51100	PUMP ASSY, INJECTION	1	1						
4	2	119225-51100	PLUNGER ASSY	3	3						
7	2	119620-51170	RETAINER, SPRING A	3	3						
8	2	119620-51180	RETAINER, SPRING B	3	3						
9	2	119620-51190	SPRING, PLUNGER	3	3						
10	2	119620-51250	SHIM SET	3	3						
22	2	119225-51300	VALVE ASSY, DELIVERY	3	3						
25	2	105546-51330	SPRING, DELIVERY	3	3						
26	2	119620-51340	HOLDER, DELIVERY	3	3						
27	2	119620-51350	GASKET	3	3						
28	2	119620-51370	O-RING	3	3						
29	2	119620-51450	PIECE	3	3						
30	2	119620-51461	PIN	1	1						
31	2	119660-51500	RACK, CONTROL	1	1						
32	2	119620-51510	PINION	3	3						
33	2	119660-51530	RETAINER, RACK	1	1						
34	2	119620-51650	PLATE	2	2						
35	2	119620-51660	SCREW	2	2						
36	2	119620-51670	PIN	2	2						
37	2	119620-51680	PIN	1	1						
38	2	119620-51700	TAPPET ASSY	3	3						
43	2	22137-040000	WASHER, 4	2	2						
44	2	22217-040000	WASHER, SPRING 4	2	2						
45	2	26022-040082	SCREW, M4X 8	4	4						
46	2	26587-040102	SCREW, M4X10	2	2						

Fig.12. GOVERNOR

(A)=3TNE68-GB2
(B)=3TNE68-GB2S
(C)=

(D)=
(E)=
(F)=

12. GOVERNOR



No.	Lev.	Parts No.	Description	Qty						I	R
				(A)	(B)	(C)	(D)	(E)	(F)		
1	1	194990-22050	NUT, M8	1	1						
2	1	119660-61060	COVER, GOVERNOR CASE	1	1						
3	1	119660-61071	GASKET	1	1						
4	1	119600-61100	DRIVE ASSY	1	1						
5	2	119600-61200	WEIGHT ASSY,GOVERNOR	1	1						
9	2	119660-61300	NUT	1	1						
10	2	119660-61341	SLEEVE	1	1						
11	1	119660-61121	LINK, NO MARK	1	1						1
12	1	119660-61140	LINK, MARK :2	1	1						1
13	1	119660-61150	LINK, MARK :3	1	1						1
14	1	119288-61200	CASE ASSY, GOVERNOR	1	1						
15	2	129155-51280	O-RING, S6	1	1						
18	2	119660-61052	GASKET	1	1						
19	2	119660-61460	SHIM SET	1	1						
22	2	129155-61480	SPACER ASSY	2	2						
27	2	119660-61491	SHAFT	1	1						
28	2	119288-61510	LEVER ASSY, GOVERNOR	1	1						
29	3	174307-51700	SHIM SET	2	2						
43	3	119232-61540	SPRING	1	1						
44	3	119600-61541	SHIFTER	1	1						
46	3	119600-61650	SPRING, STARTING	1	1						
47	3	22117-040000	WASHER, 4	1	1						
48	3	22272-000040	RING, E- 4	1	1						
49	3	22351-030014	PIN, SPRING 3.0X14	1	1						
50	2	119600-61900	RETAINER, SHAFT	1	1						
51	2	119660-61901	RETAINER, SHAFT	1	1						
52	2	119285-66080	SHAFT ASSY	1	1						
56	2	22351-040010	PIN, SPRING 4.0X10	2	2						
57	2	24341-000070	O-RING, 1AS7.0	1	1						
58	2	26106-060102	BOLT, M6X 10 PLATED	2	2						
59	1	129100-61930	NUT, CAP	1	1						
60	1	119260-66010	SPRING, REGULATOR	1	1						
61	1	119621-66051	LEVER, REGULATOR	1	1						
62	1	124550-66370	NUT, M6	1	1						
63	1	119653-66500	STOPPER ASSY	1	1						
65	2	24341-000280	O-RING, 1AS28.0	1	1						
67	2	26106-060952	BOLT, M6X 95 PLATED	1	1						
68	1	121465-59950	BOLT, M6X16	1	1						
69	1	119629-66510	LIMITER ASSY, FUEL	1	1						
75	1	119260-66720	ANGLEICH ASSY	1	1						
99	1	26776-120002	NUT, LOCK M12	1	1						
100	1	121575-66830	SCREW	1	1						
101	1	119600-66840	NUT, CAP	1	1						
102	1	22190-060003	SEAL WASER 6	2	2						
103	1	22190-120002	WASHER, SEAL 12	2	2						
104	1	22360-040000	PIN, SNAP 4	1	1						
105	1	22360-060000	PIN, SNAP 6	1	1						
106	1	26106-060702	BOLT, M6X 70 PLATED	2	2						
107	1	26116-050102	BOLT, M5X 10 PLATED	3	3						
108	1	26116-060304	BOLT, M6X 30 PLATED	1	1						
109	1	26756-060002	NUT, LOCK M6	1	1						

Remarks

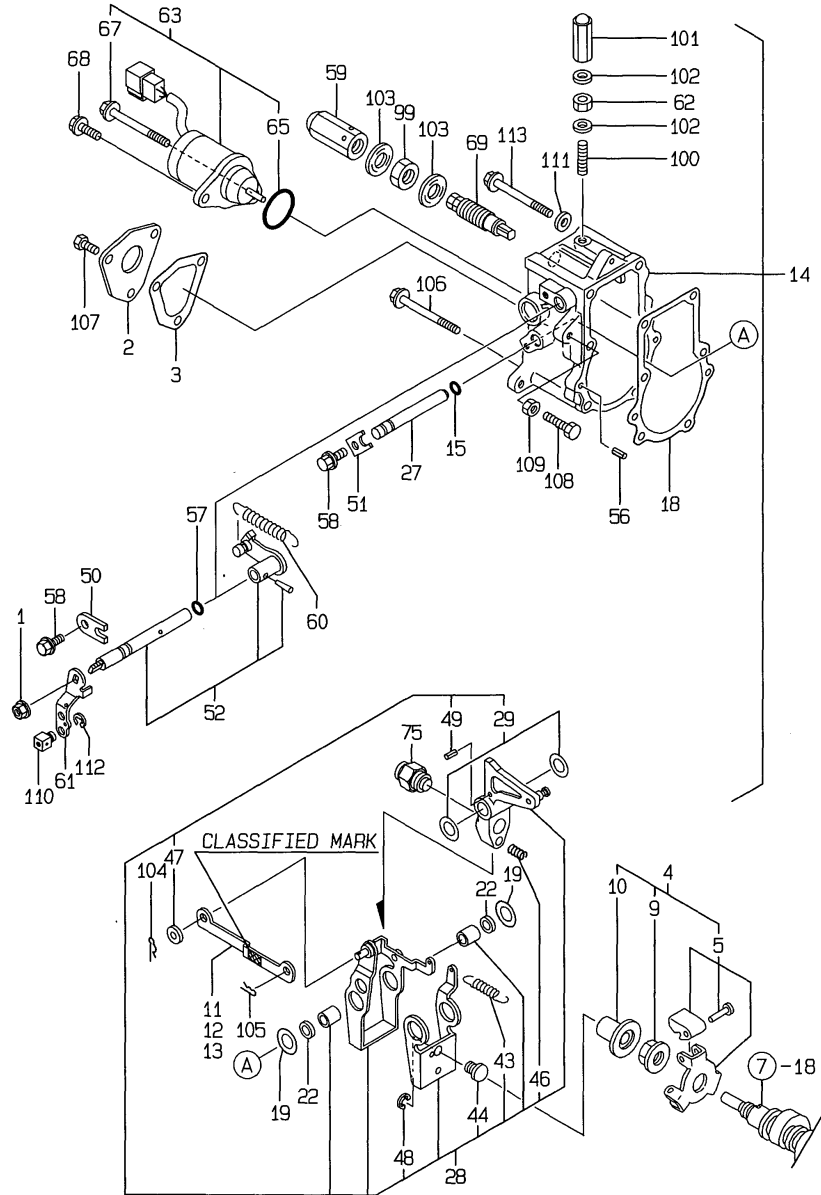
(1) SELECTIVE PARTS : CERTAIN THE CLASSIFICATION MARK, THEN PLACE YOUR ORDER.(REF. TO ILLUSTRATION)

Fig.12. GOVERNOR

(A)=3TNE68-GB2
(B)=3TNE68-GB2S
(C)=

(D)=
(E)=
(F)=

12. GOVERNOR



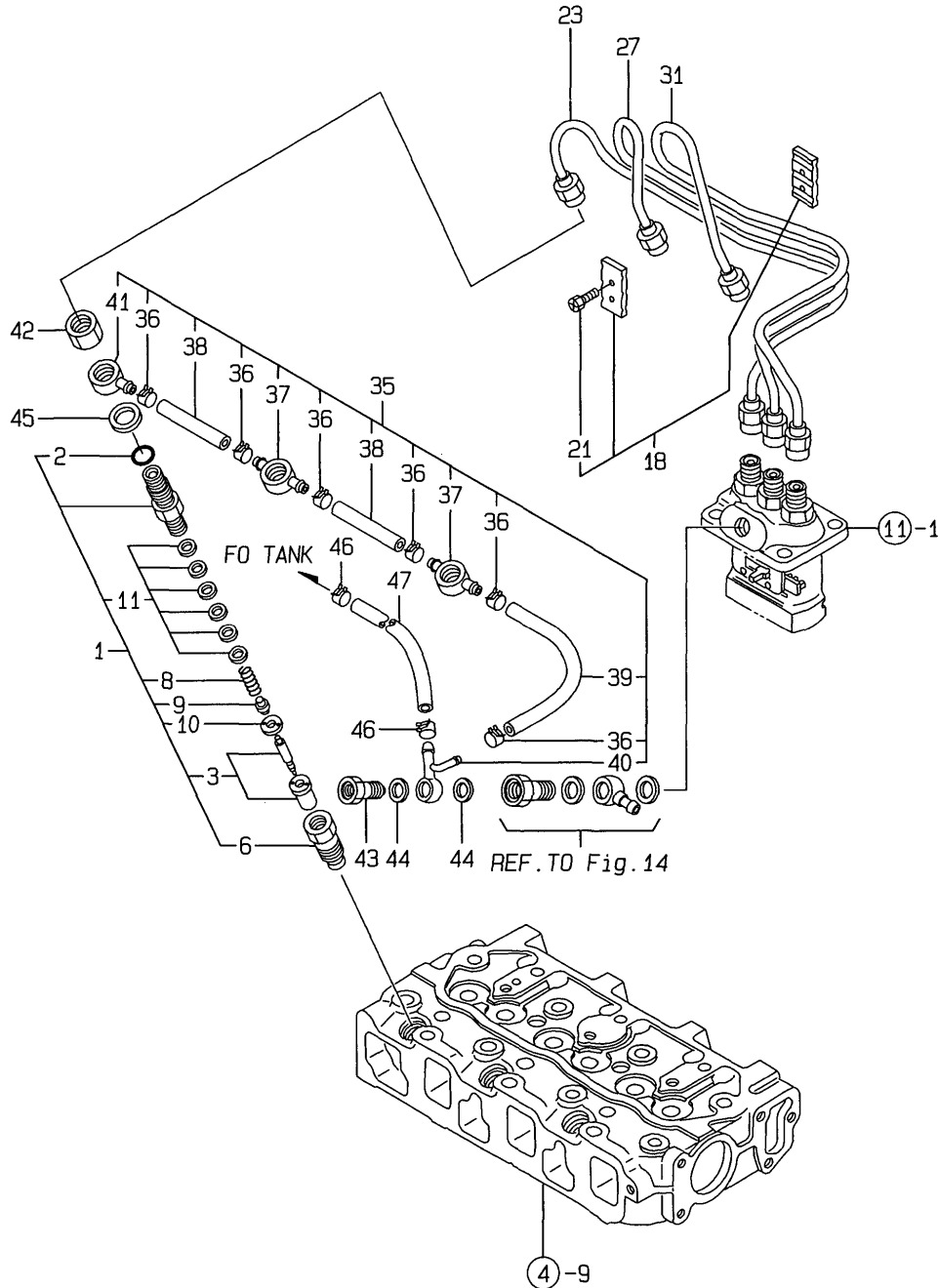
No.	Lev.	Parts No.	Description	Q'ty						I	R
				(A)	(B)	(C)	(D)	(E)	(F)		
110	1	124756-67510	RETAINER	1	1						
111	1	22111-060000	WASHER 6	3	3						
112	1	22272-000070	RING, E- 7	1	1						
113	1	26106-060752	BOLT, M6X 75 PLATED	3	3						

Remarks

(1) SELECTIVE PARTS : CERTAIN THE CLASSIFICATION MARK, THEN PLACE YOUR ORDER.(REF. TO ILLUSTRATION)

Fig.13. FUEL INJECTION VALVE

13.FUEL INJECTION VALVE



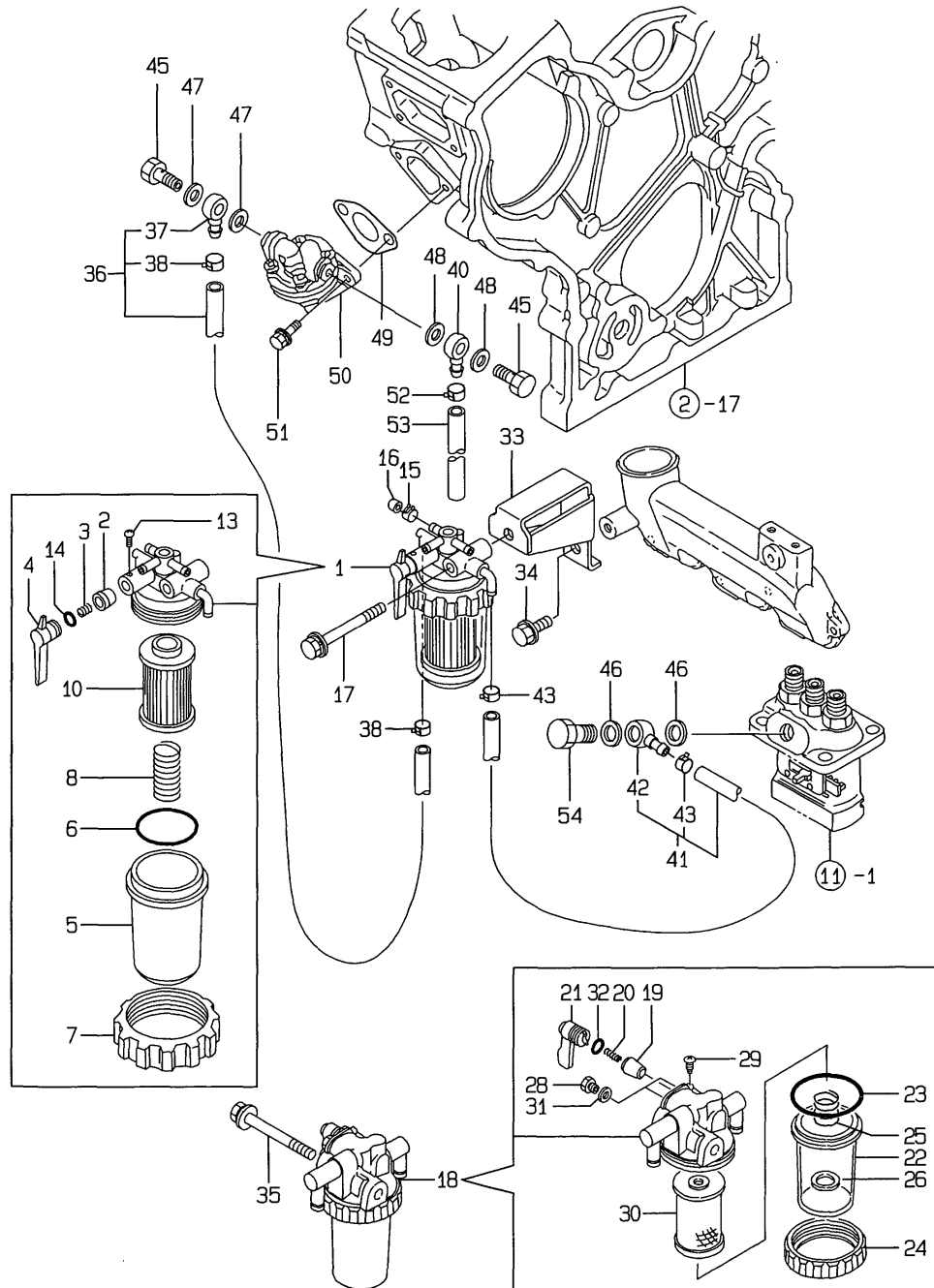
(A)=3TNE68-GB2
(B)=3TNE68-GB2S
(C)=

(D)=
(E)=
(F)=

No.	Lev.	Parts No.	Description	Q'ty						I	R
				(A)	(B)	(C)	(D)	(E)	(F)		
1	1	719620-53700	VALVE ASSY,INJECTION	3	3						
2	2	129155-61830	O-RING, S10	3	3						
3	2	119620-53000	VALVE ASSY,INJECTION	3	3						
6	2	119620-53080	NUT, NOZZLE	3	3						
8	2	119620-53120	SPRING, NOZZLE	3	3						
9	2	114250-53130	SEAT, SPRING	3	3						
10	2	119620-53140	SPACER, VALVE STOP	3	3						
11	2	114250-53400	SHIM SET	3	3						
18	1	129150-59120	RETAINER, PIPE	1	1						
21	2	129150-59131	BOLT, M4X14	2	2						
23	1	119209-59810	PIPE ASSY, INJECTION	1	1						
27	1	119209-59820	PIPE ASSY, INJECTION	1	1						
31	1	119209-59830	PIPE ASSY, INJECTION	1	1						
35	1	119249-59540	PIPE ASSY, RETURN	1	1						
36	2	124066-59100	CLIP, HOSE 8	6	6						
37	2	119260-59530	JOINT	2	2						
38	2	119260-59550	PIPE, FUEL	2	2						
39	2	119642-59550	PIPE, FUEL RETURN	1	1						
40	2	119642-59570	JOINT, OVER FLOW	1	1						
41	2	119260-59520	JOINT	1	1						
42	1	119620-59700	NUT, NOZZLE	3	3						
43	1	124550-59820	BOLT, PIPE JOINT M8	1	1						
44	1	23414-080012	GASKET, 8X1.0	2	2						
45	1	23414-140000	GASKET, 14X1.0	3	3						
46	1	124766-59050	CLIP, HOSE 12	2	2						
47	1	119225-59560	PIPE, FUEL	1	1						

Fig.14. FUEL LINE

14.FUEL FILTER

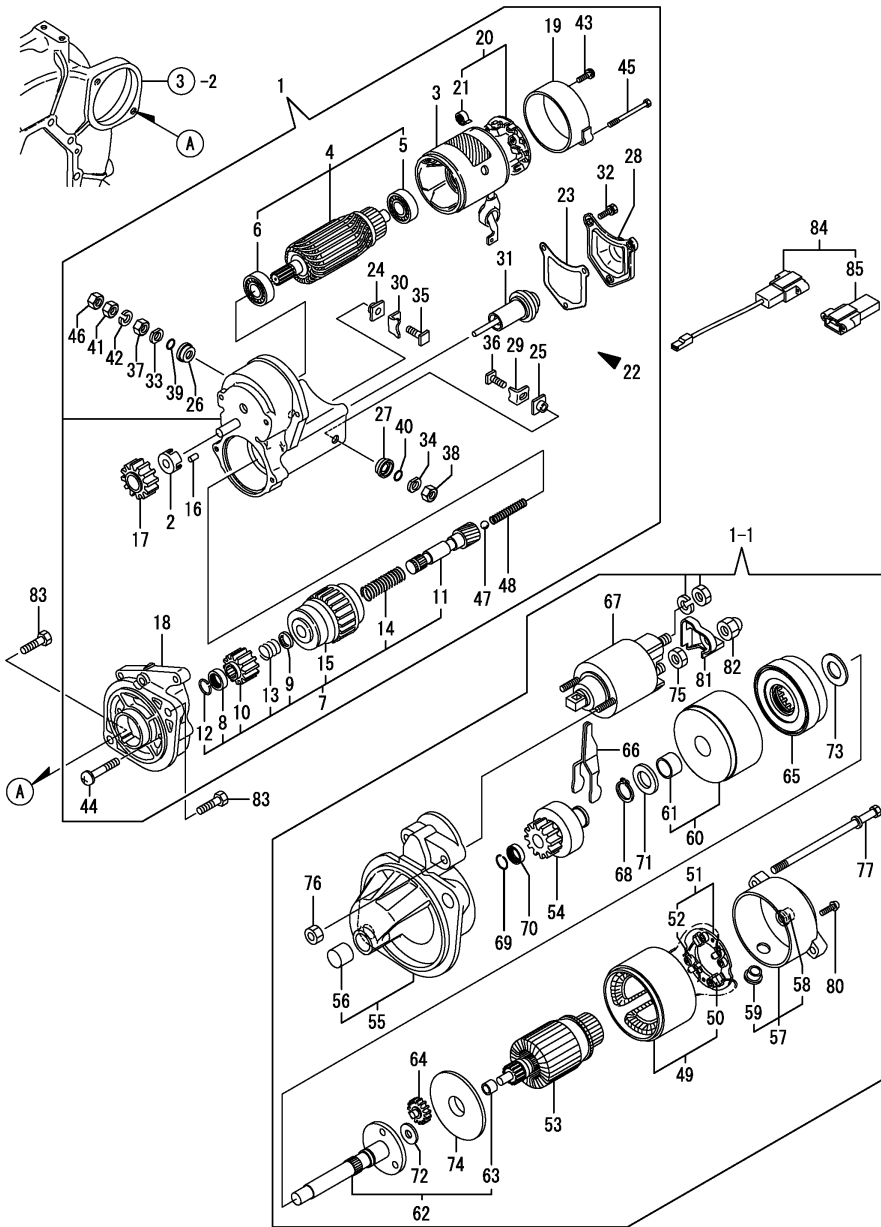


(A)=3TNE68-GB2
(B)=3TNE68-GB2S
(C)=

(D)=
(E)=
(F)=

No.	Lev.	Parts No.	Description	Q'ty						I	R
				(A)	(B)	(C)	(D)	(E)	(F)		
1	1	119632-55620	FILTER ASSY, FUEL	1	1						
2	2	104200-55321	VALVE, TAPER	1	1						
3	2	104200-55330	SPRING, VALVE	1	1						
4	2	119810-55340	LEVER	1	1						
5	2	121254-55510	COVER	1	1						
6	2	102103-55520	O-RING	1	1						
7	2	110250-55610	RING, RETAINING	1	1						
8	2	121250-55620	SPRING	1	1						
10	2	124550-55700	FILTER, FUEL L=90	1	1						
13	2	104200-55750	SCREW, M4	1	1						
14	2	24311-240100	O-RING, 1AP10A	1	1						
15	1	124066-59100	CLIP, HOSE 8	1	1						
16	1	129150-59580	CAP	1	1						
17	1	26014-080702	BOLT, M8X 70	1	1						
18	1	129335-55700	SEPARATOR ASSY,WATER	1	1						
19	2	104200-55321	VALVE, TAPER	1	1						
20	2	104200-55330	SPRING, VALVE	1	1						
21	2	104200-55341	HANDLE	1	1						
22	2	124064-55510	COVER	1	1						
23	2	102103-55520	O-RING	1	1						
24	2	110250-55610	RING, RETAINING	1	1						
25	2	121257-55720	SPRING	1	1						
26	2	121257-55731	FLOAT	1	1						
28	2	101720-55750	PLUG, 6	2	2						
29	2	104200-55750	SCREW, M4	1	1						
30	2	171081-55910	SCREEN	1	1						
31	2	23418-060000	GASKET, 6X1.0	2	2						
32	2	24311-240100	O-RING, 1AP10A	1	1						
33	1	119249-55900	BRACKET, FILTER	1	1						
34	1	26106-080162	BOLT, M8X 16 PLATED	1	1						
35	1	26014-080702	BOLT, M8X 70	1	1						
36	1	119260-59020	PIPE ASSY, D12XL400	1	1						
37	2	104264-59030	JOINT, PIPE 8	1	1						
38	2	124766-59050	CLIP, HOSE 12	2	2						
40	1	104264-59030	JOINT, PIPE 8	1	1						
41	1	119225-59030	PIPE ASSY, FUEL	1	1						
42	2	101304-59020	JOINT, PIPE 12	1	1						
43	2	124766-59050	CLIP, HOSE 12	2	2						
45	1	105582-59150	BOLT, PIPE JOINT	2	2						
46	1	104200-59170	GASKET, 12	2	2						
47	1	22190-080002	WASHER, SEAL 6	2	2						
48	1	22190-080002	WASHER, SEAL 6	2	2						
49	1	121520-01851	GASKET	1	1						
50	1	119600-52021	PUMP ASSY, FUEL FEED	1	1						
51	1	26106-060162	BOLT, M6X 16 PLATED	2	2						
52	1	124766-59050	CLIP, HOSE 12	2	2						
53	1	121024-59090	PIPE, FUEL D12X450	1	1						
54	1	119650-59200	BOLT, PIPE JOINT M12	1	1						

Fig.15. STARTING MOTOR



(A)=3TNE68-GB2
(B)=3TNE68-GB2S
(C)=

(D)=
(E)=
(F)=

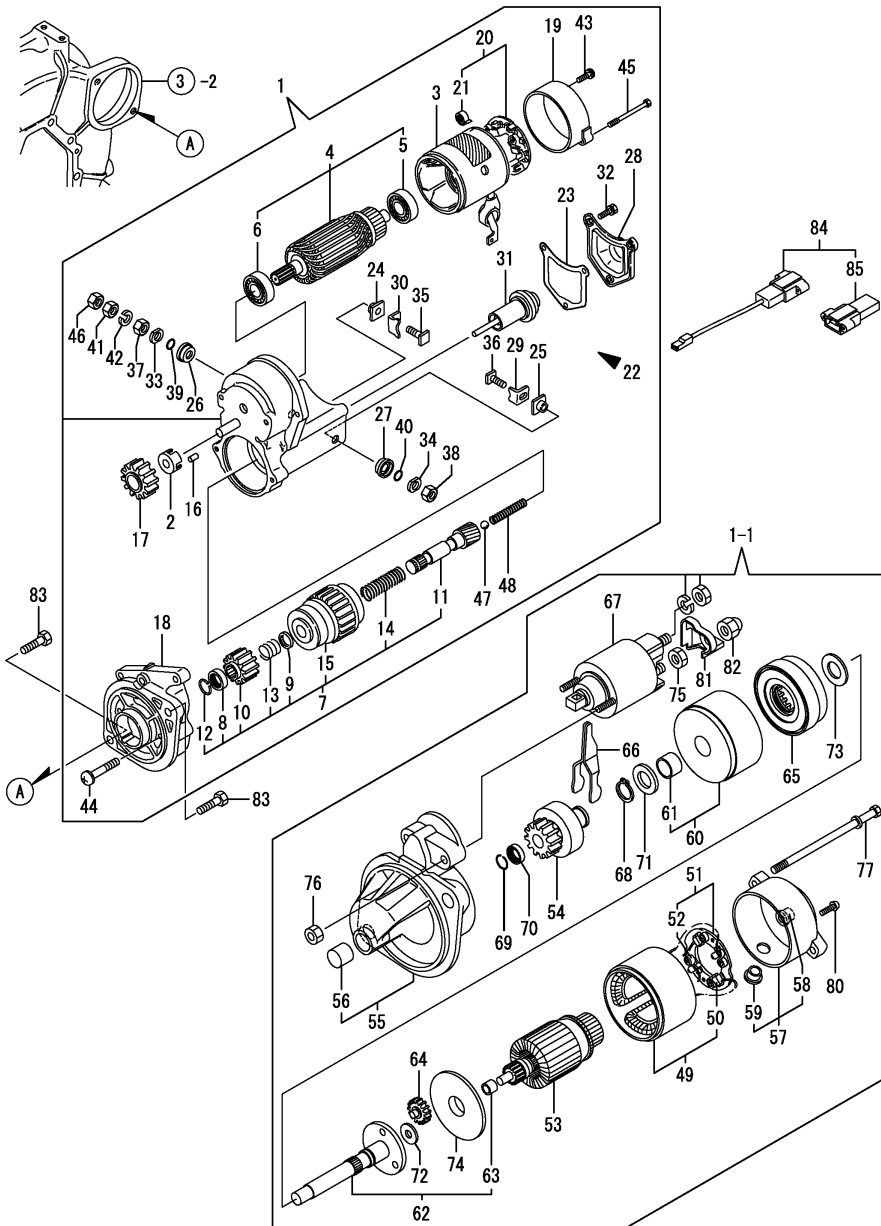
No.	Lev.	Parts No.	Description	Q'ty						I	R
				(A)	(B)	(C)	(D)	(E)	(F)		
1	1	119620-77011	STARTER	1	1						
1-1	1	119255-77010	STARTER	1	1						F 1
		(A=E73628) (B=*2000.07.)									
2	2	X0280630011	RETAINER	1	1						Z
		(A=E73628) (B=*2000.07.)									
3	2	X0281003751	YOKE ASSY	1	1						Z
		(A=E73628) (B=*2000.07.)									
4	2	X0282001531	ARMATURE ASSY	1	1						Z
		(A=E73628) (B=*2000.07.)									
5	3	X9491001360	BEARING	1	1						Z
		(A=E73628) (B=*2000.07.)									
6	3	X9491001860	BEARING, BALL	1	1						Z
		(A=E73628) (B=*2000.07.)									
7	2	X0283005050	CLUTCH, STARTER	1	1						Z
		(A=E73628) (B=*2000.07.)									
8	3	X0280210230	NUT	1	1						Z
		(A=E73628) (B=*2000.07.)									
9	3	X0283270140	RETAINER	1	1						Z
		(A=E73628) (B=*2000.07.)									
10	3	X0283715030	PINION, STARTER	1	1						Z
		(A=E73628) (B=*2000.07.)									
11	3	X0283810040	SHAFT	1	1						Z
		(A=E73628) (B=*2000.07.)									
12	3	X9490721080	RING	1	1						Z
		(A=E73628) (B=*2000.07.)									
13	3	X9491703371	SPRING, COIL	1	1						Z
		(A=E73628) (B=*2000.07.)									
14	3	X9491704260	SPRING	1	1						Z
		(A=E73628) (B=*2000.07.)									
15	3	121120-77930	CASE ASSY, STARTER	1	1						Z
		(A=E73628) (B=*2000.07.)									
16	2	X0283060061	ROLLER	5	5						Z
		(A=E73628) (B=*2000.07.)									
17	2	X0283711420	PINION	1	1						Z
		(A=E73628) (B=*2000.07.)									
18	2	X0284004910	HOUSING	1	1						Z
		(A=E73628) (B=*2000.07.)									
19	2	X0285040631	FRAME ASSY	1	1						Z
		(A=E73628) (B=*2000.07.)									
20	2	X0285100460	HOLDER ASSY, BRUSH	1	1						Z
		(A=E73628) (B=*2000.07.)									
21	3	X9491730461	SPRING	4	4						Z
		(A=E73628) (B=*2000.07.)									
22	2	X0534006460	SWITCH	1	1						Z
		(A=E73628) (B=*2000.07.)									
23	3	X0534040320	GASKET	1	1						Z
		(A=E73628) (B=*2000.07.)									
24	3	X0534490120	BUSH	1	1						Z
		(A=E73628) (B=*2000.07.)									
25	3	X0534490120	BUSH	1	1						Z
		(A=E73628) (B=*2000.07.)									

Remarks
(1) Ref.no.1-1 & 84 Interchangeable by set.

Fig.15. STARTING MOTOR

(A)=3TNE68-GB2
(B)=3TNE68-GB2S
(C)=

(D)=
(E)=
(F)=



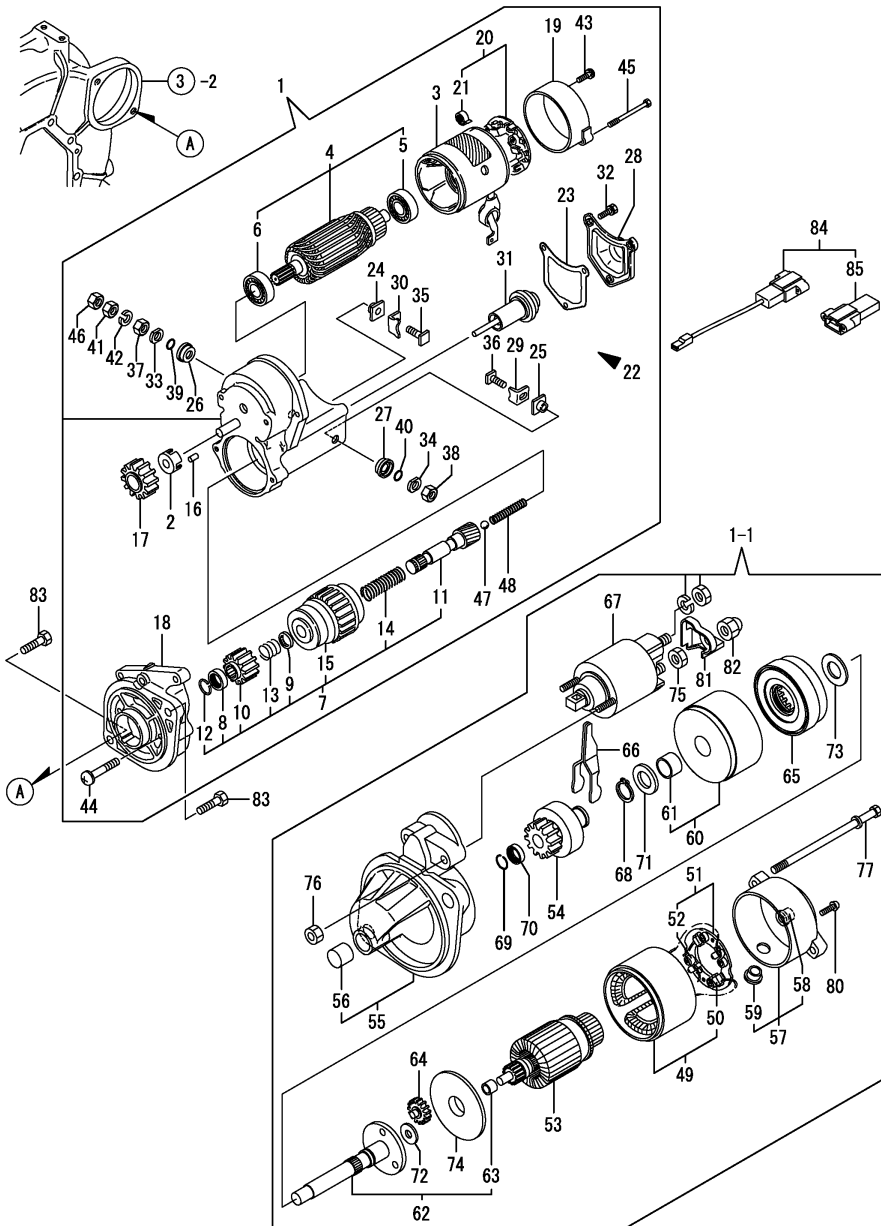
No.	Lev.	Parts No.	Description	Q'ty						I	R
				(A)	(B)	(C)	(D)	(E)	(F)		
26	3	X0534490230 (A=E73628) (B=*2000.07.)	BUSH	1	1						Z
27	3	X0534490230 (A=E73628) (B=*2000.07.)	BUSH	1	1						Z
28	3	X0535050620 (A=E73628) (B=*2000.07.)	COVER	1	1						Z
29	3	X0535130241 (A=E73628) (B=*2000.07.)	PLATE	1	1						Z
30	3	X0535130320 (A=E73628) (B=*2000.07.)	PLATE	1	1						Z
31	3	X0536600401 (A=E73628) (B=*2000.07.)	PLUNGER	1	1						Z
32	3	X9151005141 (A=E73628) (B=*2000.07.)	BOLT	3	3						Z
33	3	X9490170900 (A=E73628) (B=*2000.07.)	WASHER	1	1						Z
34	3	X9490170900 (A=E73628) (B=*2000.07.)	WASHER	1	1						Z
35	3	X9490441303 (A=E73628) (B=*2000.07.)	BOLT	1	1						Z
36	3	X9490441312 (A=E73628) (B=*2000.07.)	BOLT	1	1						Z
37	3	X9490502820 (A=E73628) (B=*2000.07.)	NUT	1	1						Z
38	3	X9490502820 (A=E73628) (B=*2000.07.)	NUT	1	1						Z
39	3	X9491402100 (A=E73628) (B=*2000.07.)	O-RING	1	1						Z
40	3	X9491402100 (A=E73628) (B=*2000.07.)	O-RING	1	1						Z
41	2	X9019008651 (A=E73628) (B=*2000.07.)	NUT	1	1						Z
42	2	X9025808001 (A=E73628) (B=*2000.07.)	WASHER	1	1						Z
43	2	X9490071810 (A=E73628) (B=*2000.07.)	SCREW	2	2						Z
44	2	X9490071970 (A=E73628) (B=*2000.07.)	SCREW	2	2						Z
45	2	X9490423330 (A=E73628) (B=*2000.07.)	BOLT	2	2						Z
46	2	X9490561370 (A=E73628) (B=*2000.07.)	NUT	1	1						Z
47	2	X9491200240 (A=E73628) (B=*2000.07.)	BALL	1	1						Z
48	2	X9491703380 (A=E73628) (B=*2000.07.)	SPRING	1	1						Z
49	2	X0281007680 (A=E73628) (B=*2000.07.)	YOKE ASSY	1	1						W
50	3	X0280996180 (A=E73628) (B=*2000.07.)	STARTER KIT	2	2						W
51	2	X0285105190	HOLDER ASSY	1	1						W

Remarks
(1) Ref.no.1-1 & 84 Interchangeable by set.

Fig.15. STARTING MOTOR

(A)=3TNE68-GB2
(B)=3TNE68-GB2S
(C)=

(D)=
(E)=
(F)=



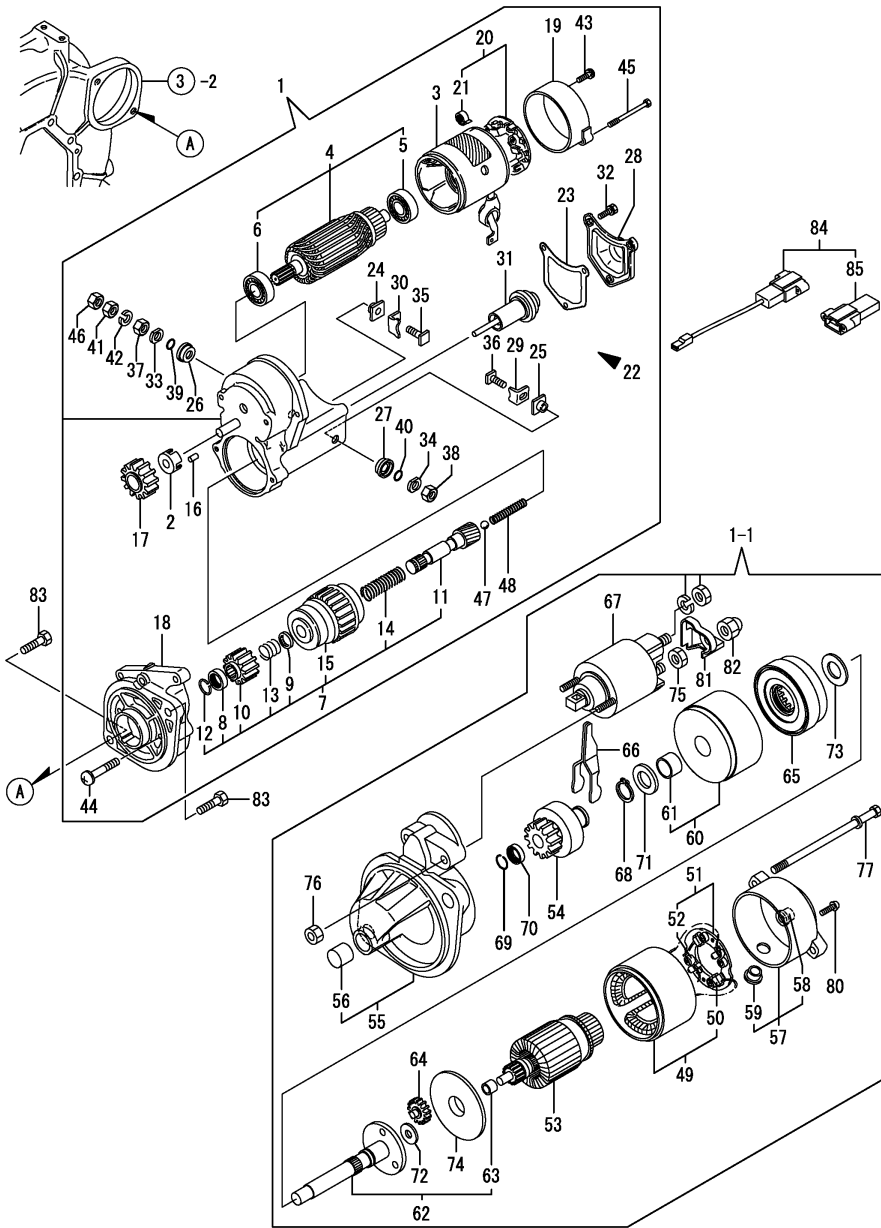
No.	Lev.	Parts No.	Description	Q'ty						I	R
				(A)	(B)	(C)	(D)	(E)	(F)		
		(A=E73628) (B=*2000.07.)									
52	3	X0285205030	SPRING	4	4						W
		(A=E73628) (B=*2000.07.)									
53	2	X0282005871	ARMATURE ASSY	1	1						W
		(A=E73628) (B=*2000.07.)									
54	2	X0283006960	CLUTCH ASSY	1	1						W
		(A=E73628) (B=*2000.07.)									
55	2	X2284005750	HOUSING ASSY	1	1						W
		(A=E73628) (B=*2000.07.)									
56	3	X9491050100	BEARING, NEEDLE	1	1						W
		(A=E73628) (B=*2000.07.)									
57	2	X0285005770	FRAME ASSY	1	1						W
		(A=E73628) (B=*2000.07.)									
58	3	X9491040990	BEARING	1	1						W
		(A=E73628) (B=*2000.07.)									
59	3	X0280626010	COVER	1	1						W
		(A=E73628) (B=*2000.07.)									
60	2	X0284105010	BEARING ASSY	1	1						W
		(A=E73628) (B=*2000.07.)									
61	3	X9491034330	BEARING	1	1						W
		(A=E73628) (B=*2000.07.)									
62	2	X0286105010	SHAFT ASSY	1	1						W
		(A=E73628) (B=*2000.07.)									
63	3	X9491034320	BEARING	1	1						W
		(A=E73628) (B=*2000.07.)									
64	2	X0286305010	GEAR	3	3						W
		(A=E73628) (B=*2000.07.)									
65	2	X0286355010	GEAR	1	1						W
		(A=E73628) (B=*2000.07.)									
66	2	X0287405140	LEVER	1	1						W
		(A=E73628) (B=*2000.07.)									
67	2	X0534007800	SWITCH ASSY	1	1						W
		(A=E73628) (B=*2000.07.)									
68	2	X9055715000	RING	1	1						W
		(A=E73628) (B=*2000.07.)									
69	2	X9490721360	RING	1	1						W
		(A=E73628) (B=*2000.07.)									
70	2	X0280210331	NUT	1	1						W
		(A=E73628) (B=*2000.07.)									
71	2	X9490138110	WASHER	1	1						W
		(A=E73628) (B=*2000.07.)									
72	2	X9490138090	WASHER	1	1						W
		(A=E73628) (B=*2000.07.)									
73	2	X9490138100	WASHER	1	1						W
		(A=E73628) (B=*2000.07.)									
74	2	X0284525010	PLATE	1	1						W
		(A=E73628) (B=*2000.07.)									
75	2	X9490562360	NUT	1	1						W
		(A=E73628) (B=*2000.07.)									
76	2	X9490560750	NUT	2	2						W
		(A=E73628) (B=*2000.07.)									

Remarks
(1) Ref.no.1-1 & 84 Interchangeable by set.

Fig.15. STARTING MOTOR

(A)=3TNE68-GB2
(B)=3TNE68-GB2S
(C)=

(D)=
(E)=
(F)=

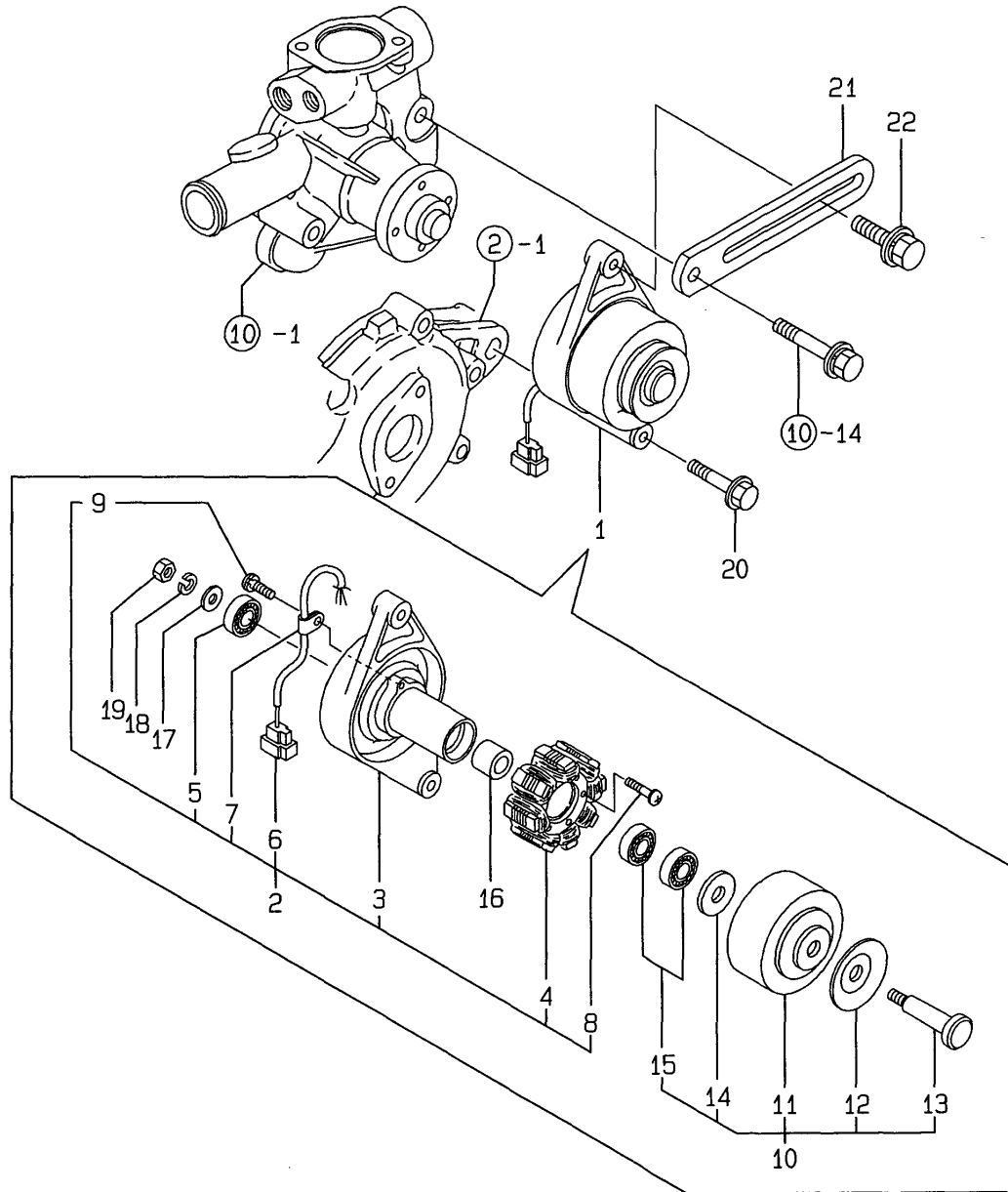


No.	Lev.	Parts No.	Description	Q'ty						I	R
				(A)	(B)	(C)	(D)	(E)	(F)		
77	2	X9490423520 (A=E73628)	BOLT, THROUGH (B=*2000.07.)	2	2						W
80	2	X9490065670 (A=E73628)	SCREW, M4X6 (B=*2000.07.)	2	2						W
81	2	X0280335360 (A=E73628)	COVER, TERMINAL (B=*2000.07.)	1	1						W
82	2	X1289510130 (A=E73628)	NUT (B=*2000.07.)	1	1						W
83	1	26116-120252	BOLT, M12X 25 PLATED	2	2						
84	1	129052-77951 (A=E73628)	CONNECTOR, STARTER (B=*2000.07.)	1	1						W 1
85	2	129052-77960 (A=E73628)	HOUSING (B=*2000.07.)	1	1						W 1

Remarks
(1) Ref.no.1-1 & 84 Interchangeable
by set.

Fig.16. GENERATOR

16. GENERATOR



(A)=3TNE68-GB2
(B)=3TNE68-GB2S
(C)=

(D)=
(E)=
(F)=

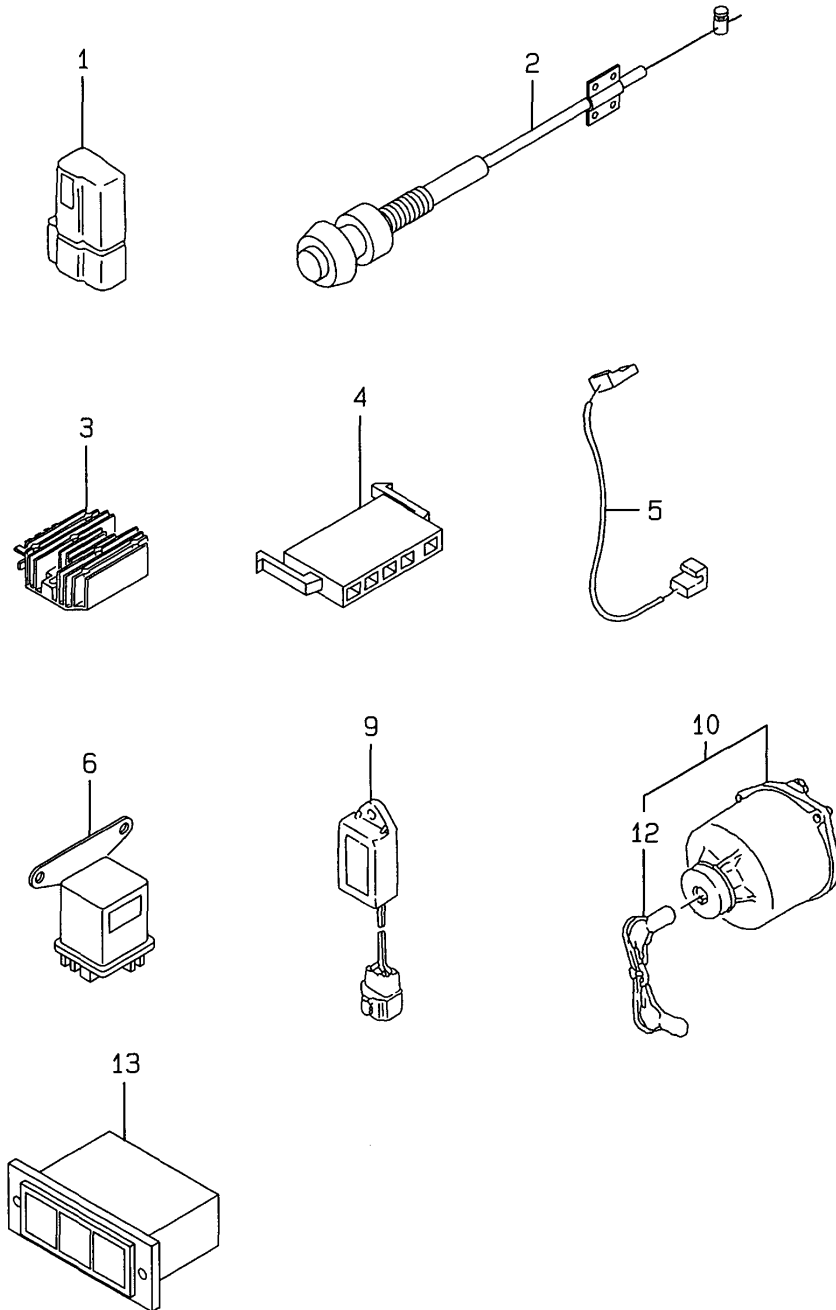
No.	Lev.	Parts No.	Description	Q'ty						I	R
				(A)	(B)	(C)	(D)	(E)	(F)		
1	1	171301-77201	DYNAMO ASSY, 15A	1	1						
2	2	XM08137	PLATE ASSY	1	1						
3	3	XM08138	PLATE	1	1						
4	3	XM08180	STATOR SET	1	1						
5	3	XM27436	BEARING, BALL	1	1						
6	3	XM17878	COUPLER	1	1						
7	3	XM36410	CLAMP	1	1						
8	3	26022-040252	SCREW, M4X25	2	2						
9	3	XYSPS4008	SCREW	1	1						
10	2	XM82184	FLYWHEEL ASSY	1	1						
11	3	XM82110	FLYWHEEL	1	1						
12	3	XM72174	PULLEY	1	1						
13	3	XM72664	SHAFT	1	1						
14	3	XM37336	WASHER	1	1						
15	3	XM27436	BEARING, BALL	2	2						
16	2	106383-44720	SPACER	1	1						
17	2	106383-44730	WASHER	1	1						
18	2	22212-100000	SPRING WASHER 10	1	1						
19	2	26716-100002	NUT, M10	1	1						
20	1	26106-100402	BOLT, M10X 40 PLATED	1	1						
21	1	121450-77330	ADJUSTER	1	1						
22	1	119810-77340	BOLT, ADJUSTER	1	1						

Fig.17. ELECTRICAL PARTS

17.ELECTRIC PARTS

(A)=3TNE68-GB2
(B)=3TNE68-GB2S
(C)=

(D)=
(E)=
(F)=



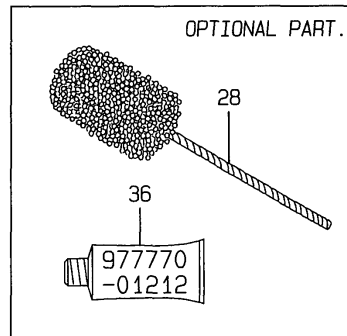
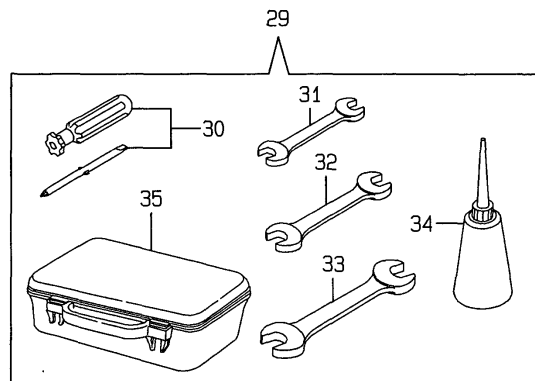
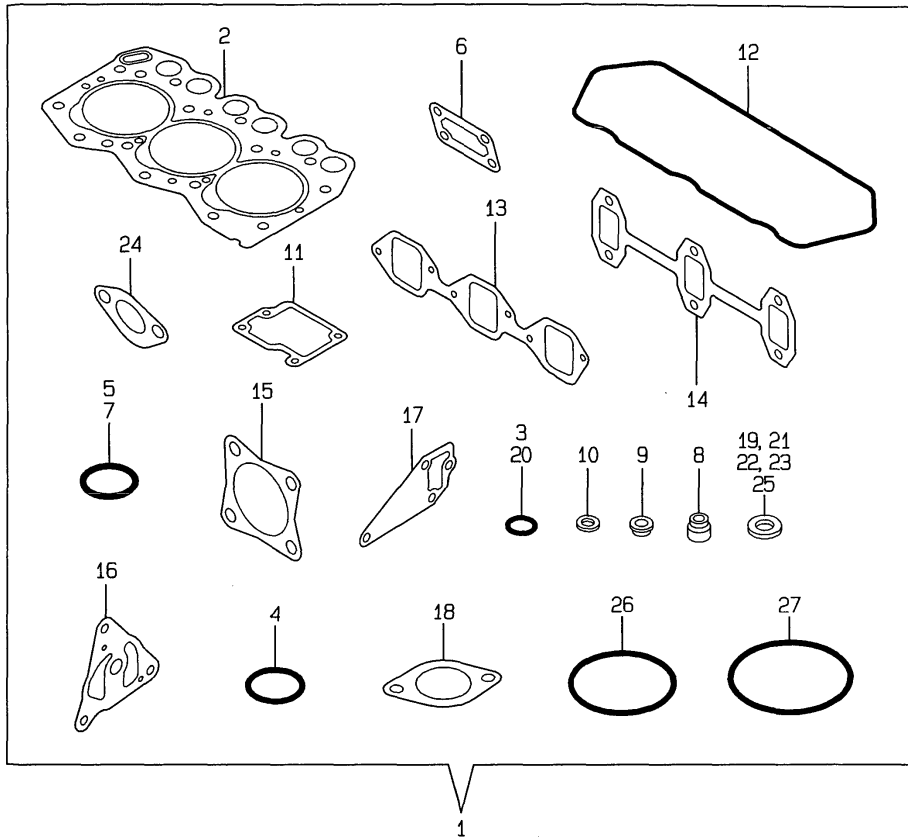
No.	Lev.	Parts No.	Description	Q'ty						I	R
				(A)	(B)	(C)	(D)	(E)	(F)		
1	1	119643-66900	DIODE	1	1						
2	1	170022-67100	CABLE, PUSH-PULL		1						
3	1	119660-77710	LIMITER, CURRENT 15A	1	1						
3-1	1	119660-77711 (A=E49997)	LIMITER, CURRENT 15A (B=E49994)	1	1						N
4	1	171301-77720	COUPLER	1	1						
5	1	119643-77900	CONNECTOR, STARTER	1	1						
6	1	119650-77910	RELAY ASSY, GLOW	1	1						
9	1	119632-77920	TIMER	1	1						
10	1	129115-91250	SWITCH ASSY	1	1						
12	2	129115-91270	KEY ASSY	1	1						
13	1	170038-91310	LAMP	1	1						

Fig.18. GASKET SET & TOOLS

(A)=3TNE68-GB2
(B)=3TNE68-GB2S
(C)=

(D)=
(E)=
(F)=

18.GASKET SET



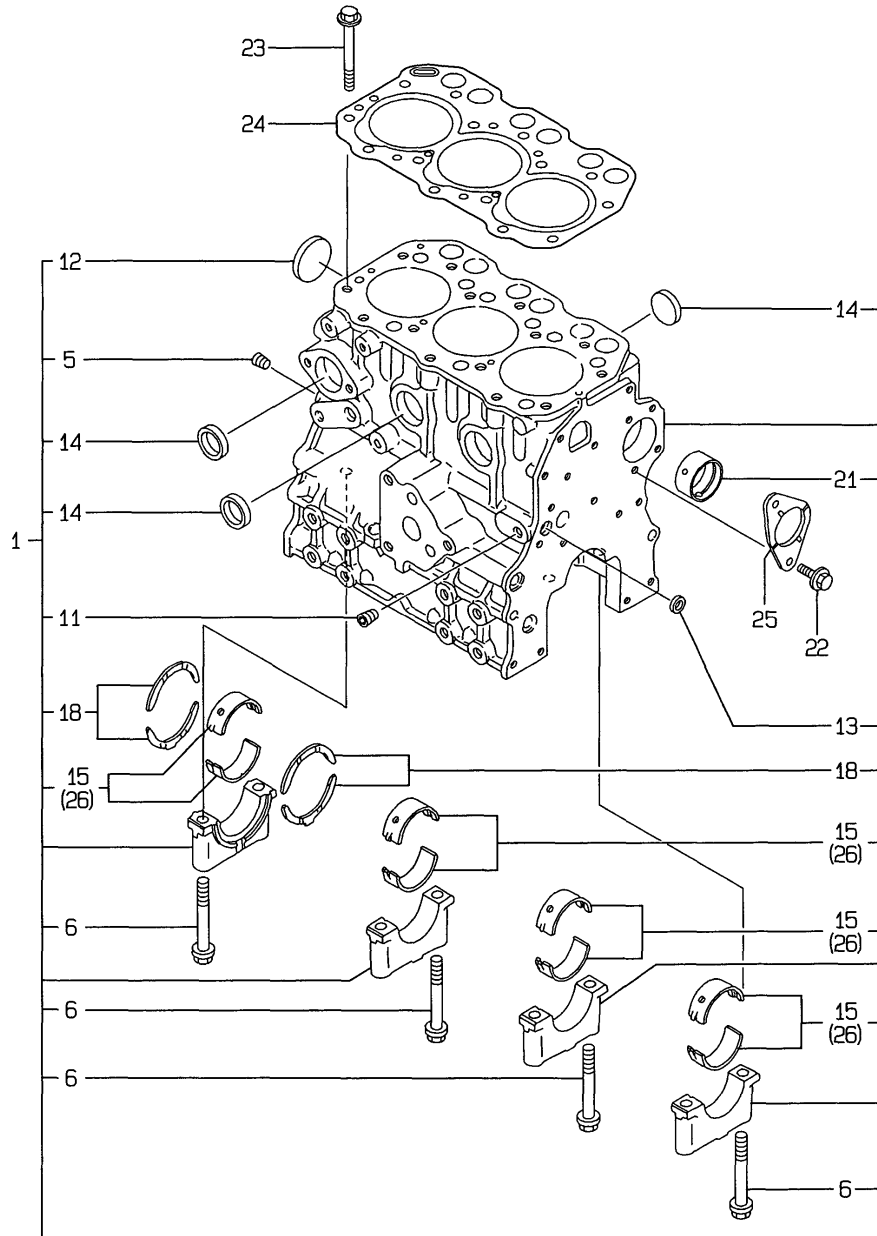
No.	Lev.	Parts No.	Description	Q'ty						I	R
				(A)	(B)	(C)	(D)	(E)	(F)		
1	1	719265-92630	GASKET SET	1	1						1
2	2	119265-01341	GASKET, HEAD	1	1						
3	2	24311-000120	O-RING, 1AP12.0	4	4						
4	2	24311-000320	O-RING, 1AP32.0	2	2						
5	2	24341-000240	O-RING, 1AS24.0	1	1						
6	2	119660-01562	GASKET	1	1						
7	2	24311-000180	O-RING, 1AP18.0	1	1						
8	2	119260-11340	SEAL, VALVE STEM	6	6						
9	2	119600-11450	PROTECTOR, NOZZLE	3	3						
10	2	119600-11460	GASKET, NOZZLE	6	6						
11	2	119260-03031	GASKET	1	1						
12	2	119260-11310	GASKET, BONNET	1	1						
13	2	119260-12111	GASKET, MANIFOLD	1	1						
14	2	119260-13110	GASKET	1	1						
15	2	121000-13201	GASKET, SILENCER	2	2						
16	2	119660-32020	GASKET, PUMP	1	1						
17	2	119260-42020	GASKET, WATER PUMP	1	1						
18	2	129350-49541	GASKET	1	1						
19	2	124465-44950	GASKET, 16	2	2						
20	2	129155-61830	O-RING, S10	3	3						
21	2	23414-080012	GASKET, 8X1.0	2	2						
22	2	22190-080002	WASHER, SEAL 6	4	4						
23	2	23414-140000	GASKET, 14X1.0	3	3						
24	2	121520-01851	GASKET	1	1						
25	2	104200-59170	GASKET, 12	2	2						
26	2	24321-000600	O-RING, 1AG60.0	1	1						
27	2	24321-000700	O-RING, 1AG70.0	1	1						
28	1	129400-92400	HONE	1	1						1
29	1	721400-92102	BOX ASSY, TOOL	1	1						
30	2	104200-92350	DRIVER, SCREW	1	1						
31	2	28110-100120	SPANNER, 10X12	1	1						
32	2	28110-140170	SPANNER, 14X17	1	1						
33	2	28110-190220	SPANNER, 19X22	1	1						
34	2	28210-000140	OILER	1	1						
35	2	104200-92600	BOX, TOOL	1	1						
36	1	977770-01212	GASKET, LIQUID	1	1						1

Remarks

(1) OPTIONAL PART.

Fig.19. CYLINDER BLOCK

19. CYLINDER BLOCK



(A)=3TNE74-GB2
(B)=3TNE74-GB2S
(C)=

(D)=
(E)=
(F)=

No.	Lev.	Parts No.	Description	Q'ty						I	R
				(A)	(B)	(C)	(D)	(E)	(F)		
1	1	719623-01560	BLOCK ASSY, CYLINDER	1	1						
5	2	119600-01050	PLUG, PT1/4	1	1						
6	2	119620-02020	BOLT, METAL CAP	8	8						
11	2	23871-010000	PLUG, R01	1	1						
12	2	27231-450000	PLUG 45	1	1						
13	2	27241-120000	PLUG, 12	1	1						
14	2	27241-300000	PLUG 30	6	6						
15	2	719620-02800	BEARING, MAIN	4	4						
18	2	719620-02930	BEARING, THRUST	2	2						
21	2	119624-02410	BUSH	1	1						
22	1	26106-060122	BOLT, M6X 12 PLATED	2	2						
23	1	119620-01200	BOLT, HEAD	14	14						
24	1	119623-01330	GASKET, HEAD	1	1						
25	1	119620-02450	BEARING, THRUST	1	1						
26	1	719620-02870	BEARING, 0.25 US	4	4						1

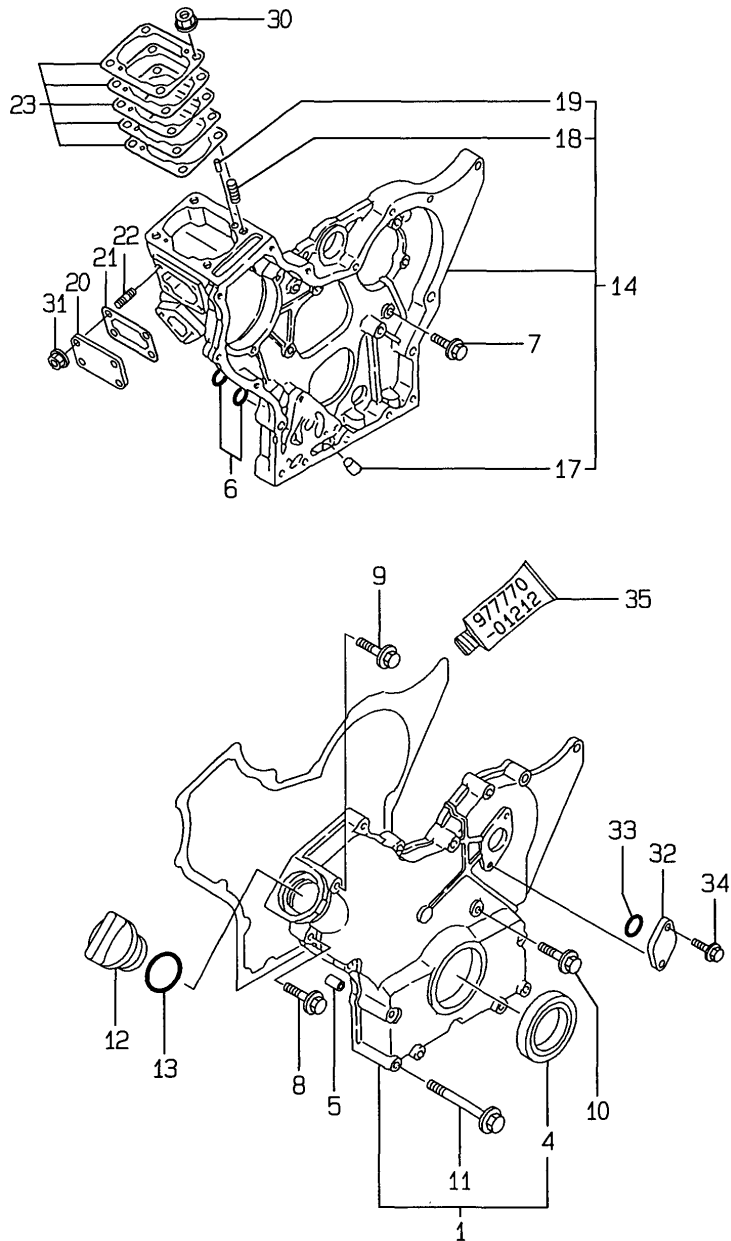
Remarks
(1)UNDER-SIZE(U.S=0.25)PART.

Fig.20. GEAR HOUSING

(A)=3TNE74-GB2
(B)=3TNE74-GB2S
(C)=

(D)=
(E)=
(F)=

20. GEAR HOUSING

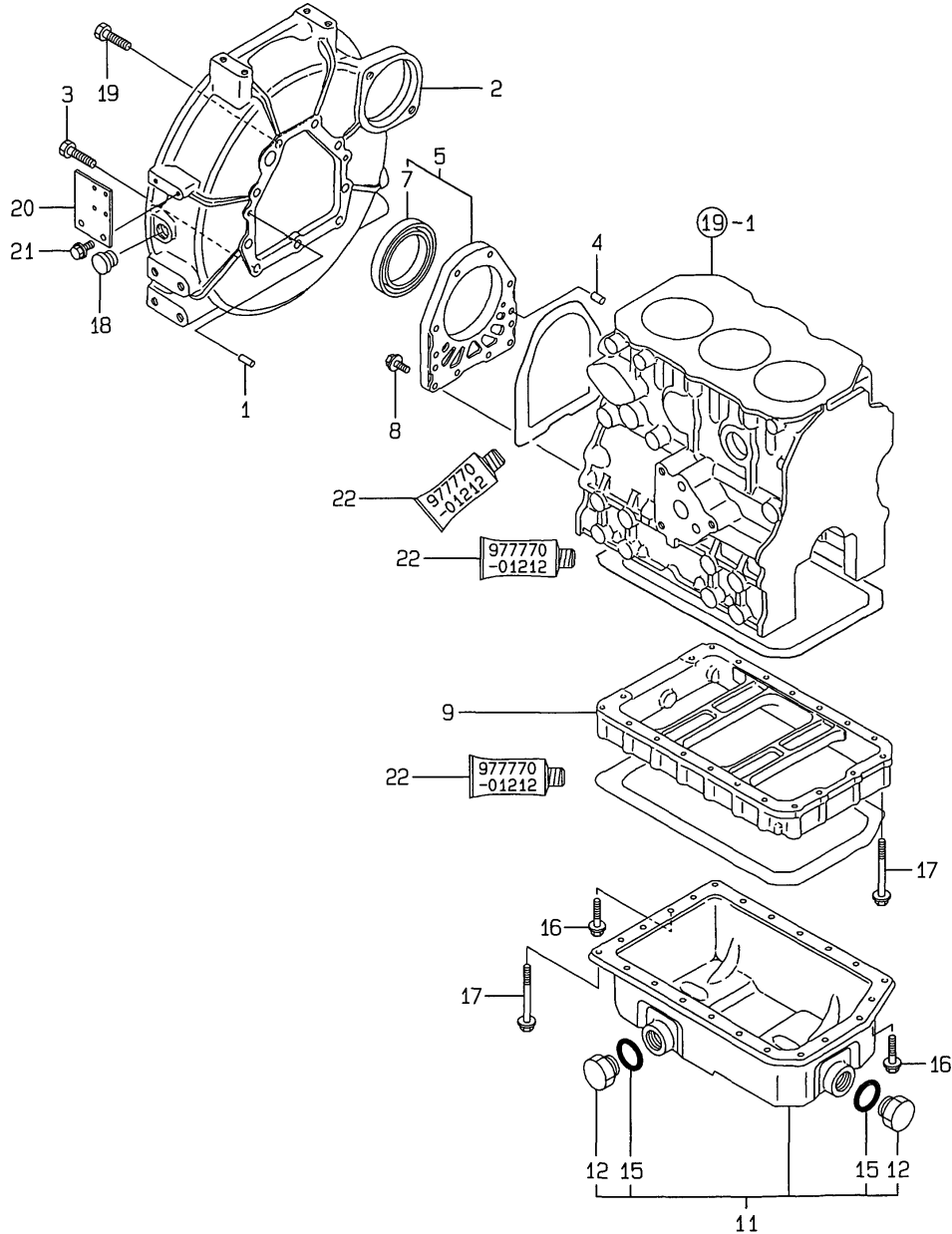


No.	Lev.	Parts No.	Description	Q'ty						I	R
				(A)	(B)	(C)	(D)	(E)	(F)		
1	1	119610-01590	COVER ASSY,GEAR CASE	1	1						
4	2	119620-01800	SEAL, OIL	1	1						
5	1	119660-01911	PIPE, KNOCK	4	4						
6	1	24311-000120	O-RING, 1AP12.0	2	2						
7	1	26106-060162	BOLT, M6X 16 PLATED	7	7						
8	1	26106-060302	BOLT, M6X 30 PLATED	8	8						
9	1	26106-060602	BOLT, M6X 60 PLATED	1	1						
10	1	26106-060602	BOLT, M6X 60 PLATED	3	3						
11	1	26106-060802	BOLT, M6X 80 PLATED	6	6						
12	1	124160-01751	COVER, FILLER	1	1						
13	1	24311-000320	O-RING, 1AP32.0	1	1						
14	1	119610-01490	CASE ASSY, GEAR	1	1						
17	2	119660-01510	PLUG, 10X14	1	1						
18	2	121450-01560	STUD, M8X22	4	4						
19	2	22351-040010	PIN, SPRING 4.0X10	2	2						
20	1	119660-01551	COVER	1	1						
21	1	119660-01562	GASKET	1	1						
22	1	119660-01570	STUD, M6X12	4	4						
23	1	119623-01950	SHIM SET, ADJUSTING	1	1						
30	1	194990-22050	NUT, M8	4	4						
31	1	26366-060002	NUT, M6	4	4						
32	1	121023-01550	COVER	1	1						
33	1	24341-000240	O-RING, 1AS24.0	1	1						
34	1	26106-060162	BOLT, M6X 16 PLATED	2	2						
35	1	977770-01212	GASKET, LIQUID	1	1						1

Remarks
(1) OPTIONAL PART.

Fig.21. FLYWHEEL HOUSING & OIL SUMP

21.FLYWHEEL HOUSING & LUB.OIL SUMP



(A)=3TNE74-GB2
(B)=3TNE74-GB2S
(C)=

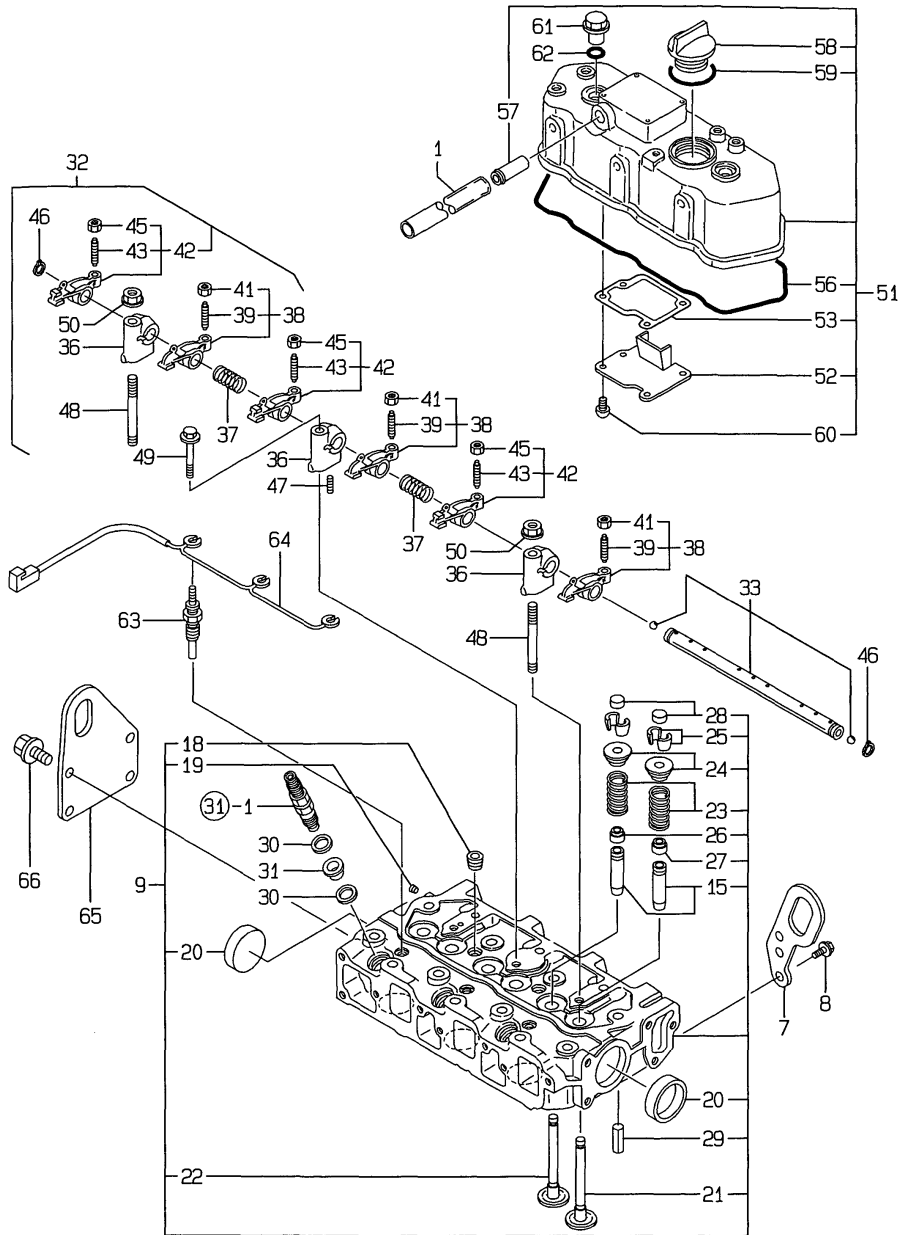
(D)=
(E)=
(F)=

No.	Lev.	Parts No.	Description	Q'ty						I	R
				(A)	(B)	(C)	(D)	(E)	(F)		
1	1	129100-01580	PIN, M8X16	2	2						
2	1	119600-01600	HOUSING, FLYWHEEL	1	1						
3	1	121120-01620	BOLT, M10X28	3	3						
4	1	119620-01620	PIN, M6X10	2	2						
5	1	119660-01640	CASE ASSY, OIL SEAL	1	1						
7	2	124085-02220	SEAL, OIL	1	1						
8	1	26106-060222	BOLT, M6X 22 PLATED	10	10						
9	1	119600-01722	SPACER, OIL SUMP	1	1						
11	1	119600-01770	SUMP ASSY, OIL	1	1						
12	2	171301-01640	PLUG, 22	2	2						
15	2	24341-000250	O-RING, 1AS25.0	2	2						
16	1	26106-060122	BOLT, M6X 12 PLATED	3	3						
17	1	26106-060452	BOLT, M6X 45 PLATED	20	20						
18	1	119620-01750	CAP	1	1						
19	1	26206-100252	BOLT, M10X 25 PLATED	6	6						
20	1	129111-67010	SUPPORT, WIRE	1	1						
21	1	26106-080162	BOLT, M8X 16 PLATED	2	2						
22	1	977770-01212	GASKET, LIQUID	1	1						1

Remarks
(1) OPTIONAL PART.

Fig.22. CYLINDER HEAD & BONNET

22.CYLINDER HEAD & BONNET



(A)=3TNE74-GB2
(B)=3TNE74-GB2S
(C)=

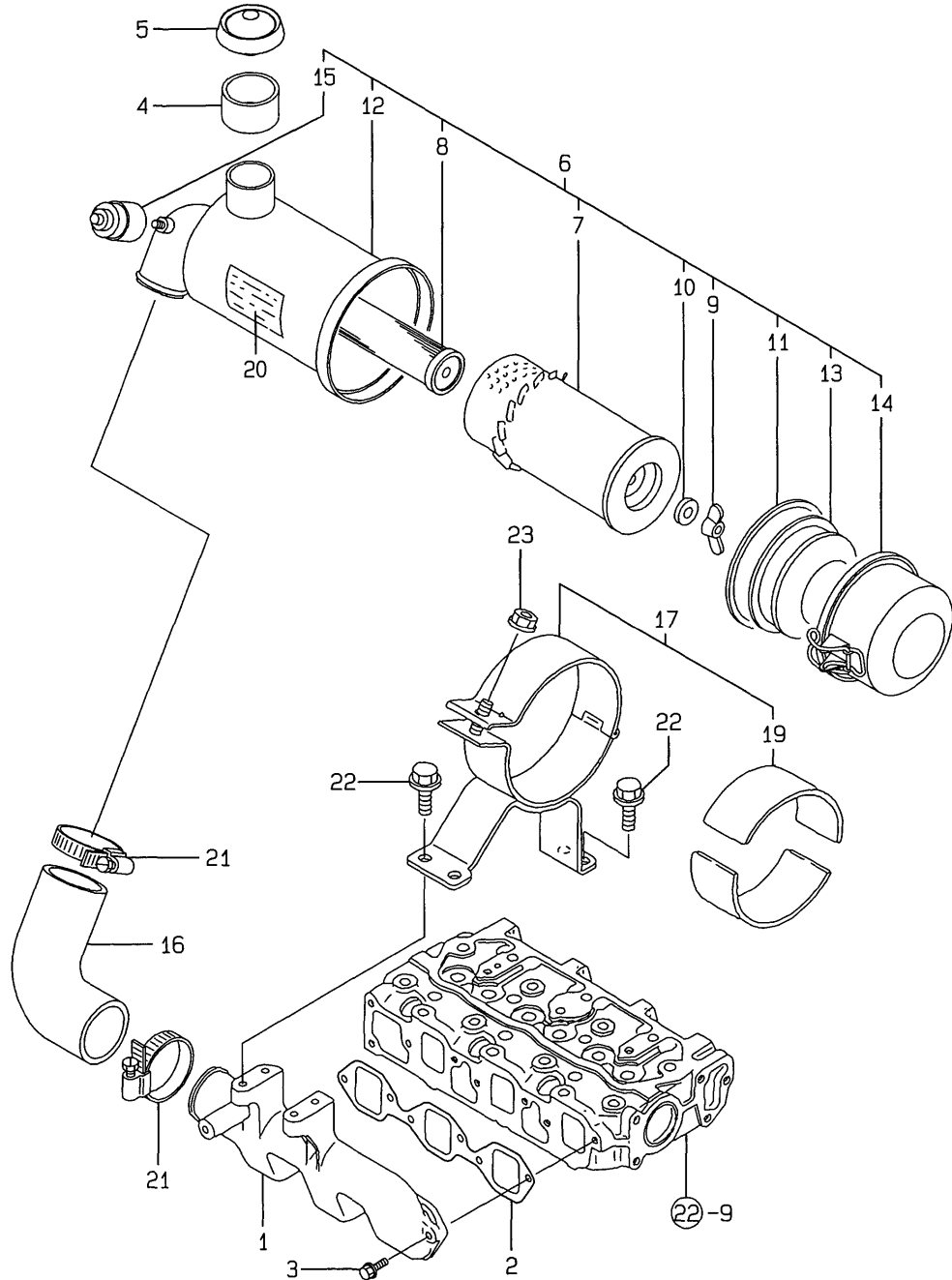
(D)=
(E)=
(F)=

No.	Lev.	Parts No.	Description	Q'ty						I	R
				(A)	(B)	(C)	(D)	(E)	(F)		
1	1	23065-120500	PIPE, 12X 500	1	1						
7	1	119260-07900	LIFTER	1	1						
8	1	26106-060122	BOLT, M6X 12 PLATED	4	4						
9	1	719623-11710	HEAD ASSY, CYLINDER	1	1						
15	2	119620-11801	GUIDE, VALVE	6	6						1
18	2	23871-020000	PLUG, R02	2	2						
19	2	27221-050080	PLUG, 5X 8	1	1						
20	2	27241-400000	PLUG, 40	2	2						
21	2	119623-11100	VALVE, INTAKE	3	3						
22	2	119620-11110	VALVE, EXHAUST	3	3						
23	2	119620-11120	SPRING, VALVE	6	6						
24	2	119620-11180	RETAINER, SPRING	6	6						
25	2	27310-070001	COTTER, 7	6	6						N
		(A=EXXXXX) (B=EXXXXX)									
26	2	124160-11340	SEAL, VALVE STEM	3	3						
27	2	124950-11340	SEAL, VALVE STEM	3	3						
28	2	104211-11370	CAP, VALVE	6	6						
29	1	22351-060012	PIN, SPRING 6.0X12	2	2						
30	1	119600-11460	GASKET, NOZZLE	6	6						
31	1	119600-11450	PROTECTOR, NOZZLE	3	3						
32	1	119620-11200	SUPPORT ASSY, ARM	1	1						
33	2	119620-11240	SHAFT ASSY, ROCKER	1	1						
36	2	119620-11260	SUPPORT, ROCKER ARM	3	3						
37	2	119620-11280	SPRING	2	2						
38	2	719620-11650	ARM ASSY, ROCKER	3	3						
39	3	105010-11230	SCREW, VALVE ADJUST	3	3						
41	3	26856-060002	NUT, M6	12	12						
42	2	719620-11660	ARM ASSY, ROCKER	3	3						
43	3	105010-11230	SCREW, VALVE ADJUST	3	3						
45	3	26856-060002	NUT, M6	12	12						
46	2	22242-000120	RING, 12	2	2						
47	2	26979-050162	SCREW, M5X16	1	1						
48	1	119620-11350	STUD	2	2						
49	1	26106-080452	BOLT, M8X 45 PLATED	1	1						
50	1	26366-080002	NUT, M8	2	2						
51	1	119620-11330	BONNET ASSY, HEAD	1	1						
52	2	119620-03020	PLATE, SHELTER	1	1						
53	2	119620-03031	GASKET	1	1						
56	2	119620-11310	GASKET, BONNET	1	1						
57	2	118400-03060	JOINT, BREATHER	1	1						
58	2	124160-01751	COVER, FILLER	1	1						
59	2	24311-000320	O-RING, 1AP32.0	1	1						
60	2	22857-500100	SCREW, 5X10	4	4						
61	1	124160-11360	KNOB	2	2						
62	1	24311-000120	O-RING, 1AP12.0	2	2						
63	1	129795-77800	PLUG, GLOW	3	3						
64	1	119620-77820	CONNECTOR, GLOW PLUG	1	1						
65	1	119632-07900	LIFTER	1	1						
66	1	26106-080142	BOLT, M8X 14 PLATED	1	1						

Remarks
(1) REPAIR PART.

Fig.23. SUCTION MANIFOLD & AIR CLEANER

23.SUCTION MANIFOLD & AIR CLEANER



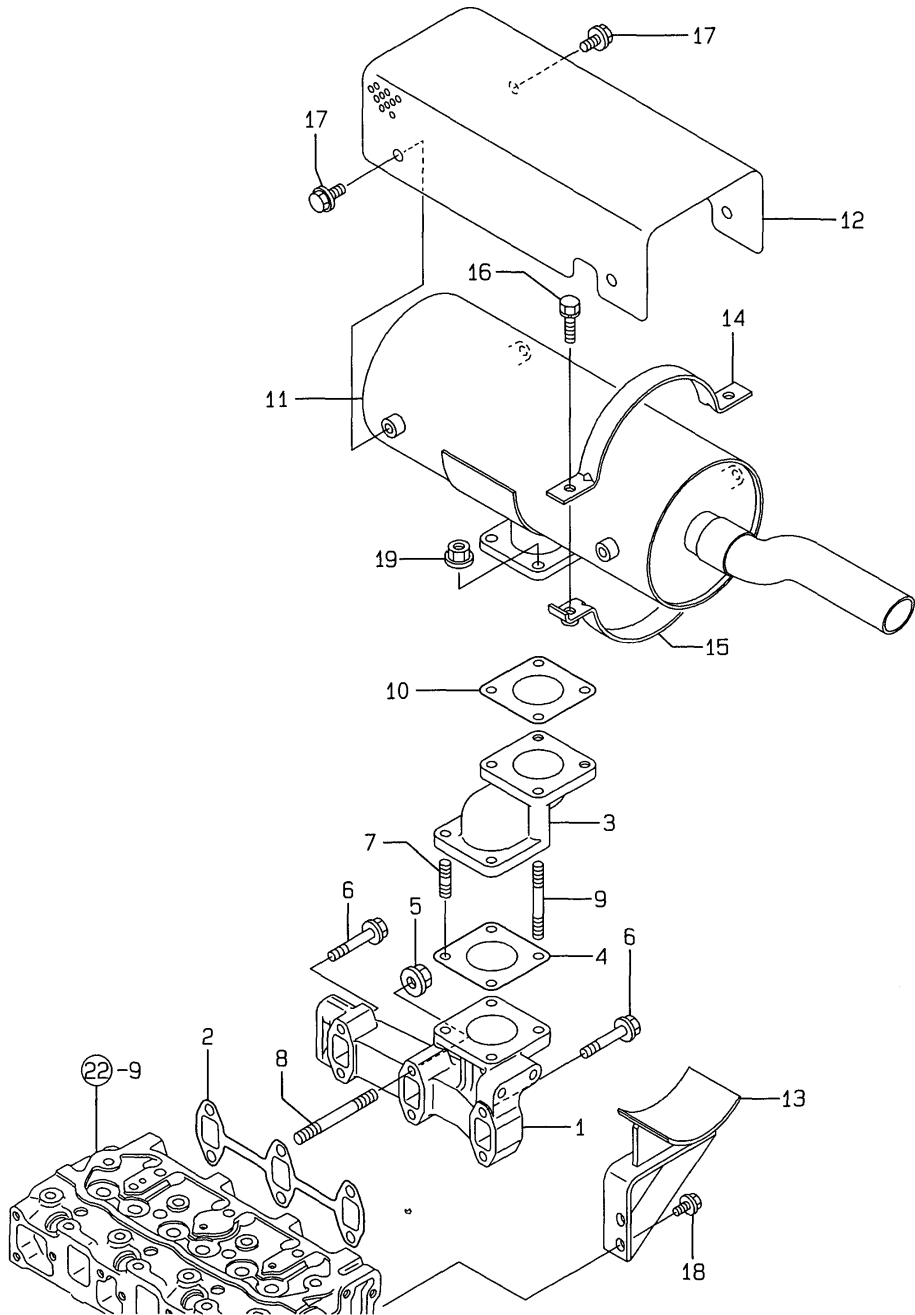
(A)=3TNE74-GB2
(B)=3TNE74-GB2S
(C)=

(D)=
(E)=
(F)=

No.	Lev.	Parts No.	Description	Q'ty						I	R
				(A)	(B)	(C)	(D)	(E)	(F)		
1	1	119645-12100	MANIFOLD, AIR INTAKE	1	1						
2	1	119620-12111	GASKET, MANIFOLD	1	1						
3	1	26106-060202	BOLT, M6X 20 PLATED	6	6						
4	1	119288-12050	JOINT, PIPE	1							
5	1	121521-12400	CAP, RAIN	1							
6	1	119649-12500	CLEANER, AIR	1	1						
7	2	119631-12520	ELEMENT	1	1						
8	2	119631-12530	ELEMENT	1	1						
9	2	119631-12540	NUT	1	1						
10	2	119631-12550	WASHER	1	1						
11	2	119631-12570	GASKET	1	1						
12	2	119649-12610	BODY, AIR CLEANER	1	1						
13	2	121472-12660	CAP	1	1						
14	2	121465-12700	RETAINER, ELEMENT	1	1						
15	2	121492-12950	INDICATOR	1	1						
16	1	119632-12551	PIPE, AIR INTAKE	1	1						
17	1	119632-12590	SUPPORT ASSY, CLEANER	1	1						
19	2	119640-12580	SEAT, RUBBER	2	2						
20	1	129136-12600	LABEL, AIR CLEANER	1	1						
21	1	23000-060000	CLAMP, 60	2	1						
22	1	26014-080202	BOLT, M8X 20	4	4						
23	1	26366-080002	NUT, M8	1	1						

Fig.24. EXHAUST MANIFOLD & SILENCER

24.EXHAUST MANIFOLD & SILENCER



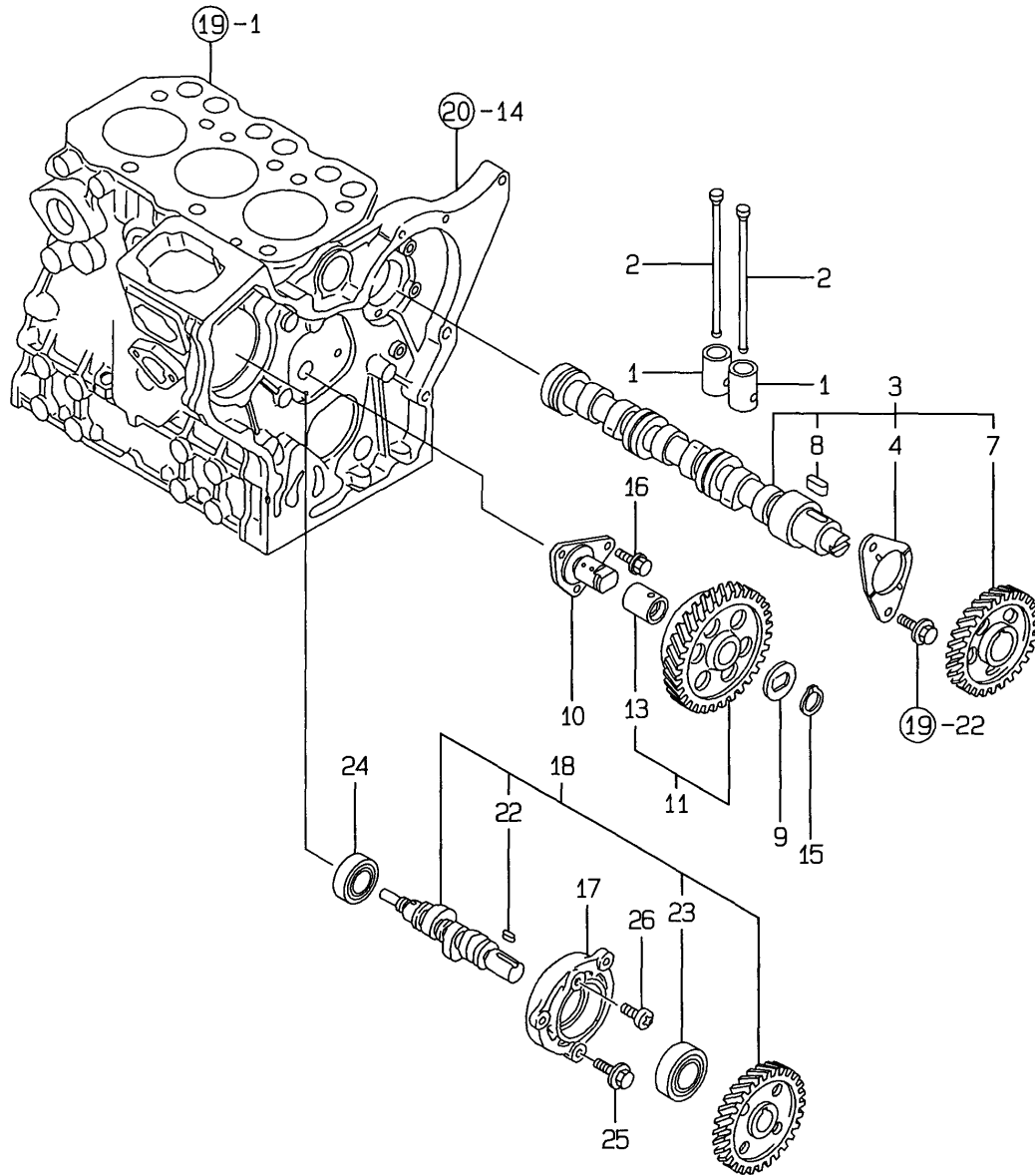
(A)=3TNE74-GB2
(B)=3TNE74-GB2S
(C)=

(D)=
(E)=
(F)=

No.	Lev.	Parts No.	Description	Q'ty						I	R
				(A)	(B)	(C)	(D)	(E)	(F)		
1	1	119631-13101	MANIFOLD, EXHAUST	1	1						
2	1	119620-13110	GASKET	1	1						
3	1	119840-13150	PIPE	1	1						
4	1	121000-13201	GASKET, SILENCER	1	1						
5	1	26366-080002	NUT, M8	2	2						
6	1	26106-080402	BOLT, M8X 40 PLATED	4	4						
7	1	119131-18320	STUD, M8X22	2	2						
8	1	26216-080552	STUD, M8X 55	2	2						
9	1	119823-13600	STUD, M8X70	2	2						
10	1	121000-13201	GASKET, SILENCER	1	1						
11	1	119888-13501	SILENCER	1							
12	1	119888-13600	COVER, SILENCER	1							
13	1	119688-13651	STAY, SILENCER	1							
14	1	119888-13670	BAND, SILENCER	1							
15	1	119888-13680	BAND, SILENCER	1							
16	1	26014-080302	BOLT, M8X 30	2							
17	1	26106-080122	BOLT, M8X 12 PLATED	4							
18	1	26106-080162	BOLT, M8X 16 PLATED	2							
19	1	26366-080002	NUT, M8	4							

Fig.25. CAMSHAFT & DRIVING GEAR

25. CAMSHAFT & DRIVING GEAR



(A)=3TNE74-GB2
(B)=3TNE74-GB2S
(C)=

(D)=
(E)=
(F)=

No.	Lev.	Parts No.	Description	Q'ty						I	R
				(A)	(B)	(C)	(D)	(E)	(F)		
1	1	119620-14200	TAPPET	6	6						
2	1	119620-14401	ROD, PUSH	6	6						
3	1	119629-14580	CAMSHAFT ASSY	1	1						
4	2	119620-02450	BEARING, THRUST	1	1						
7	2	119620-14100	GEAR, CAMSHAFT	1	1						
8	2	22512-040120	KEY, 4X 12	1	1						
9	1	119660-25022	RETAINER	1	1						
10	1	119660-25052	SHAFT, IDLE	1	1						
11	1	119620-25102	GEAR ASSY, IDLE	1	1						
13	2	119620-25912	BUSH	1	1						1
15	1	22242-000200	RING, 20	1	1						
16	1	26106-060122	BOLT, M6X 12 PLATED	3	3						
17	1	119660-01821	BEARING, FUEL CAM	1	1						
18	1	719660-14590	CAMSHAFT	1	1						
22	2	22512-040120	KEY, 4X 12	1	1						
23	2	24102-063034	BEARING, BALL 6303U	1	1						
24	1	24101-062034	BEARING, BALL 6203	1	1						
25	1	26106-060162	BOLT, M6X 16 PLATED	3	3						
26	1	26587-080102	SCREW, M8X10	1	1						

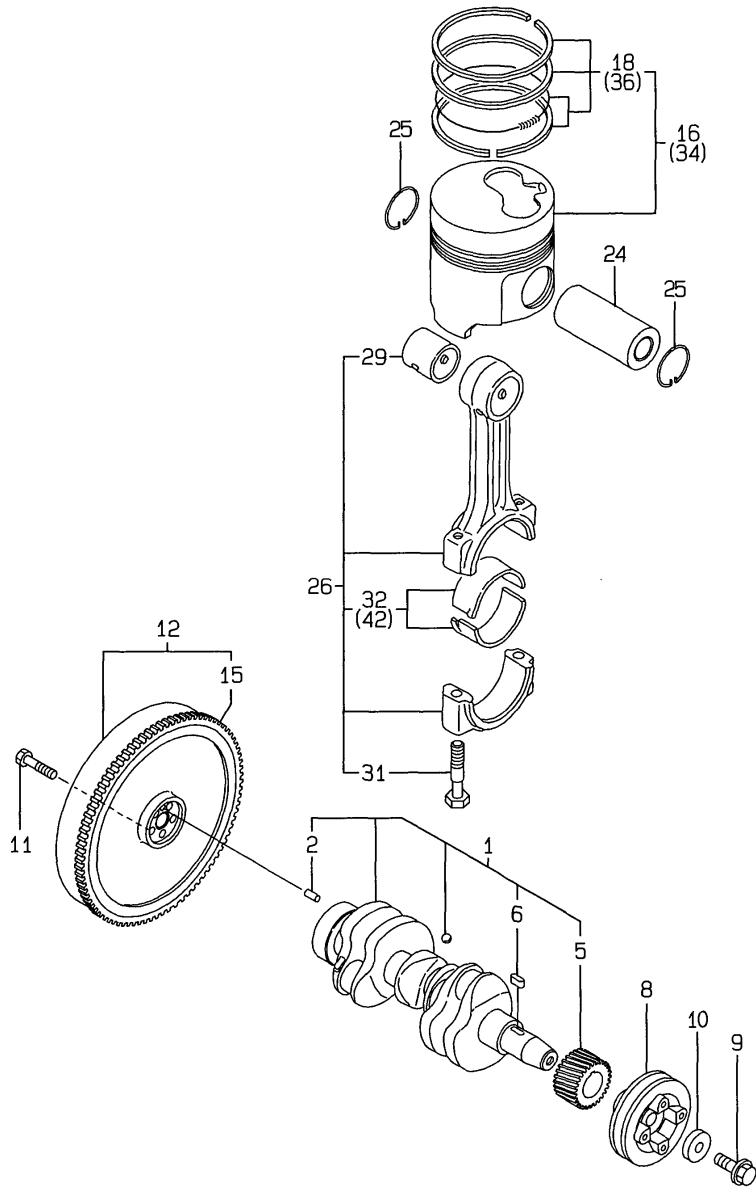
Remarks
(1) REPAIR PART.

Fig.26. CRANKSHAFT & PISTON

26. CRANKSHAFT & PISTON

(A)=3TNE74-GB2
(B)=3TNE74-GB2S
(C)=

(D)=
(E)=
(F)=



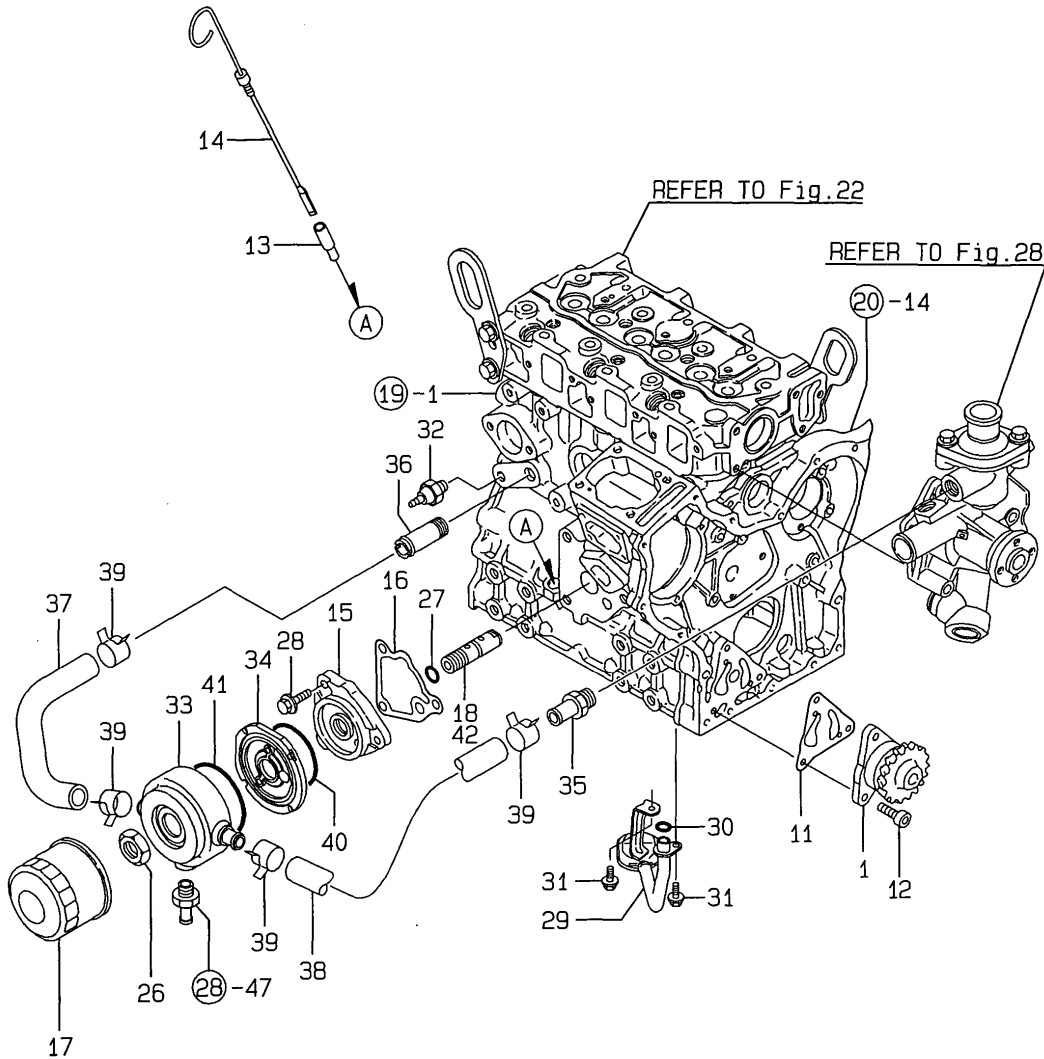
No.	Lev.	Parts No.	Description	Q'ty						I	R
				(A)	(B)	(C)	(D)	(E)	(F)		
1	1	119623-21700	CRANKSHAFT ASSY	1	1						
2	2	129100-01580	PIN, M8X16	1	1						
5	2	119644-21200	GEAR, CRANKSHAFT	1	1						
6	2	22512-040120	KEY, 4X 12	1	1						
8	1	119660-21651	V-PULLEY	1	1						
9	1	119621-21680	BOLT, FLANGE 12X1.25	1	1						
10	1	119620-21941	WASHER	1	1						
11	1	121111-21501	BOLT, FLYWHEEL	5	5						
12	1	119600-21580	FLYWHEEL ASSY	1	1						
15	2	119865-21600	GEAR, RING	1	1						
16	1	119623-22080	PISTON ASSY	3	3						
18	2	119623-22500	RING SET, PISTON	3	3						
24	1	114350-22301	PIN, PISTON D=21	3	3						
25	1	22252-000210	RING, 21	6	6						
26	1	719620-23100	ROD ASSY, CONNECTING	3	3						
29	2	119620-23910	BEARING, PISTON PIN	3	3						1
31	2	105225-23200	BOLT, CONNECTING ROD	6	6						
32	2	719620-23600	BEARING, CRANK PIN	3	3						
34	1	119623-22900	PISTON ASSY, 0.25 OS	3	3						2
36	2	119623-22950	RING SET, 0.25 OS	3	3						2
42	1	719620-23610	BEARING ASSY, 0.25	3	3						3

Remarks

- (1) REPAIR PART.
- (2) OVER-SIZE(O.S=0.25)PART.
- (3) UNDER-SIZE(U.S=0.25)PART.

Fig.27. LUB. OIL SYSTEM

27.LUB.OIL SYSTEM



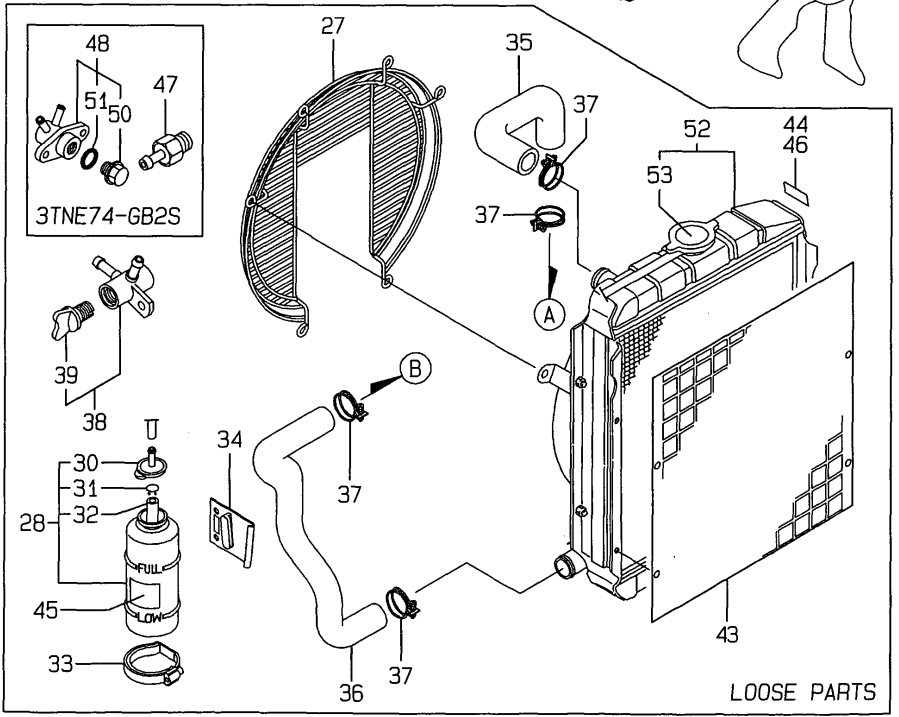
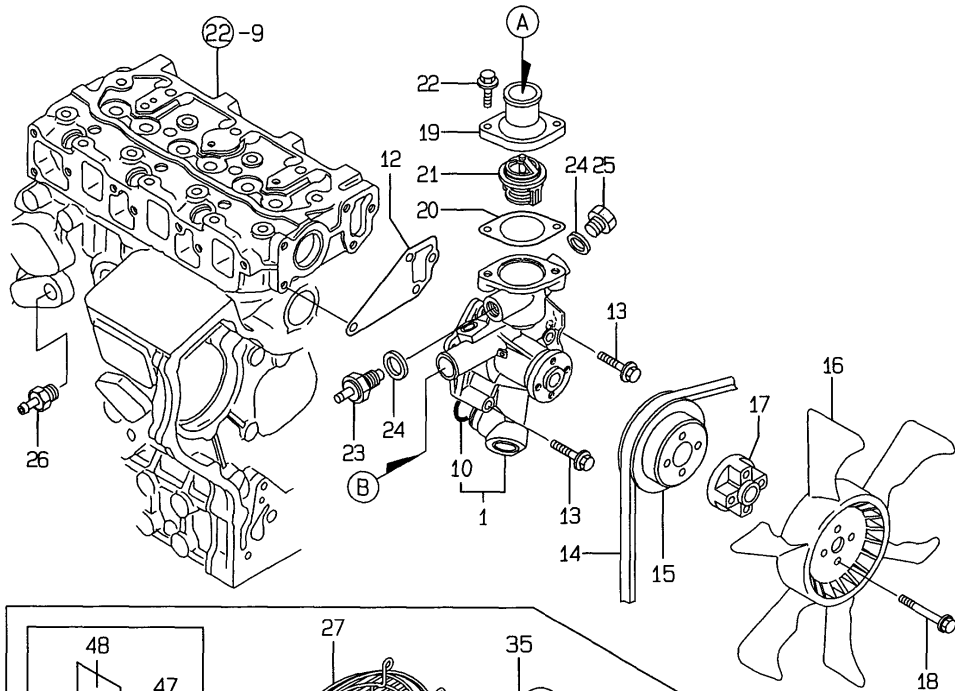
(A)=3TNE74-GB2
(B)=3TNE74-GB2S
(C)=

(D)=
(E)=
(F)=

No.	Lev.	Parts No.	Description	Q'ty						I	R
				(A)	(B)	(C)	(D)	(E)	(F)		
1	1	119660-32001	PUMP ASSY, OIL	1	1						
11	1	119660-32020	GASKET, PUMP	1	1						
12	1	26450-060202	BOLT, M6X 20	3	3						
13	1	121520-34810	GUIDE, DIPSTICK	1	1						
14	1	119623-34820	DIPSTICK, OIL	1	1						
15	1	119660-35102	BRACKET, FILTER	1	1						
16	1	119660-35113	GASKET	1	1						
17	1	119305-35150	FILTER, OIL	1	1						
18	1	119660-35300	VALVE ASSY, CONTROL	1							
26	1	129150-35350	NUT	1	1						
27	1	24311-000160	O-RING, 1AP16.0	1	1						
28	1	26106-080202	BOLT, M8X 20 PLATED	3	3						
29	1	119600-35091	PIPE ASSY, OIL INLET	1	1						
30	1	119209-35030	O-RING, P11	1	1						
31	1	26106-060102	BOLT, M6X 10 PLATED	2	2						
32	1	124160-39450	SWITCH, 0.5KG	1	1						
33	1	119642-33030	COOLER, OIL								
34	1	119642-33100	BRACKET, COOLER								
35	1	121851-11970	JOINT, PIPE								
36	1	129122-44480	JOINT								
37	1	119642-49030	PIPE, WATER								
38	1	129403-49050	PIPE, WATER								
39	1	171008-03990	CLIP, HOSE 18.5								
40	1	24321-000600	O-RING, 1AG60.0								
41	1	24321-000700	O-RING, 1AG70.0								
42	1	129120-35301	VALVE ASSY								

Fig.28. COOLING WATER SYSTEM

28.COOLING WATER SYSTEM



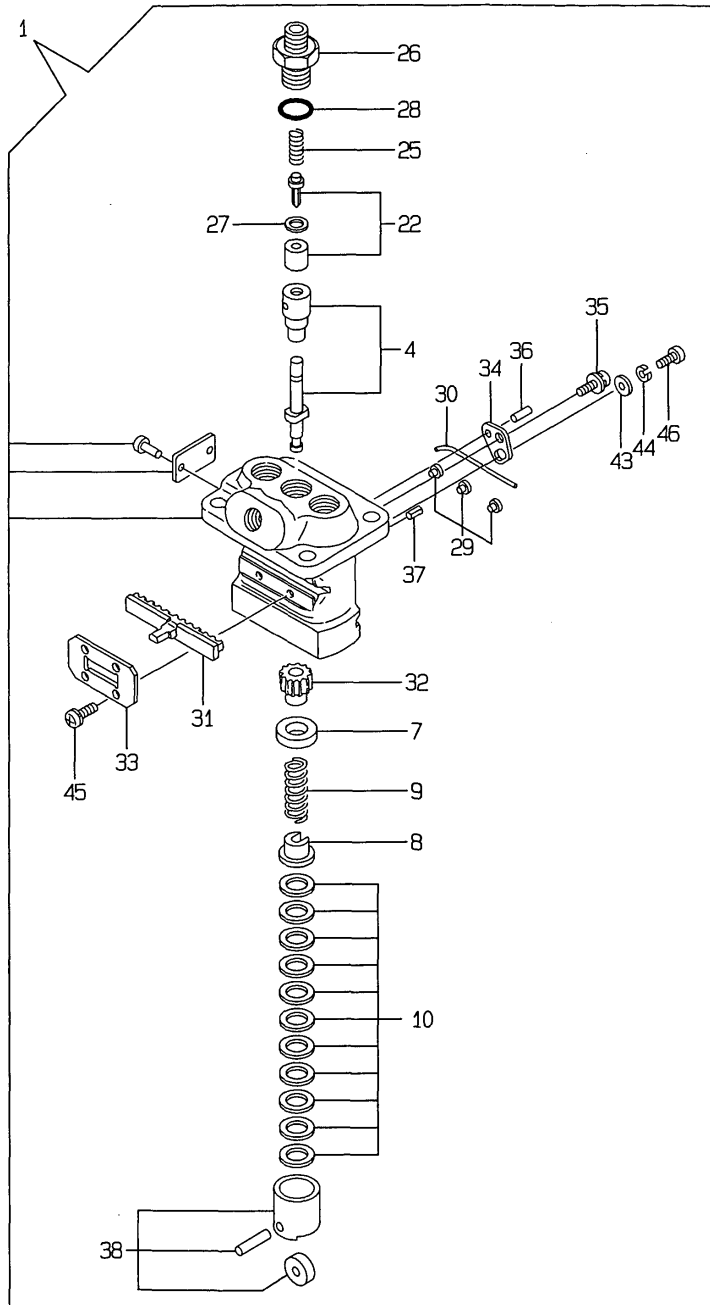
(A)=3TNE74-GB2
(B)=3TNE74-GB2S
(C)=

(D)=
(E)=
(F)=

No.	Lev.	Parts No.	Description	Q'ty						I	R
				(A)	(B)	(C)	(D)	(E)	(F)		
1	1	119642-42000	PUMP ASSY, WATER	1	1						
10	2	119620-42320	O-RING	1	1						
12	1	119620-42020	GASKET, WATER PUMP	1	1						
13	1	26106-080452	BOLT, M8X 45 PLATED	4	4						
14	1	119640-42290	V-BELT, FM36.5	1	1						
15	1	119642-42350	V-PULLEY, D=97	1	1						
16	1	129114-44740	FAN, COOLING D325XY	1	1						
17	1	129030-44760	SPACER, FAN L38.5	1	1						
18	1	26106-060502	BOLT, M6X 50 PLATED	4	4						
19	1	129350-49530	COVER, THERMOSTAT	1	1						
20	1	129350-49541	GASKET	1	1						
21	1	129350-49800	THERMOSTAT, 71	1	1						
22	1	26106-080202	BOLT, M8X 20 PLATED	2	2						
23	1	121250-44901	SWITCH, 110	1	1						
24	1	124465-44950	GASKET, 16	2	2						
25	1	121450-42450	PLUG, M16	1	1						
26	1	121550-49111	JOINT, PT1/4	1	1						
27	1	129120-44560	PROTECTOR, FAN	1	1						
28	1	124450-44510	TANK ASSY, SUB	1	1						
30	2	124450-44530	CAP	1	1						
31	2	124450-44560	RETAINER	1	1						
32	2	23061-070230	PIPE, 7X 230	1	1						
33	1	124450-44550	BAND	1	1						
34	1	121256-44600	BRACKET, SUB TANK	1	1						
35	1	129450-49010	PIPE, WATER	1	1						
36	1	119645-49020	PIPE, WATER	1	1						
37	1	23010-038000	CLAMP, 38	4	4						
38	1	129150-49100	COCK ASSY, 3-WAY	1							
39	2	129150-49080	COCK, DRAIN	1							
43	1	129411-44590	PROTECTOR	1							
44	1	124764-44800	LABEL, RADIATOR	1	1						
45	1	124764-44810	LABEL, SUB TANK	1	1						
46	1	121400-44910	LABEL, RADIATOR	1	1						
47	1	129137-49100	JOINT		1						
48	1	121450-49110	COCK ASSY, 3-WAY		1						
50	2	121250-49121	PLUG, DRAIN		1						
51	2	24311-000160	O-RING, 1AP16.0		1						
52	1	119623-44500	RADIATOR	1	1						
53	2	123682-44210	CAP, RADIATOR	1	1						

Fig.29. FUEL INJECTION PUMP

29.FUEL INJECTION PUMP



(A)=3TNE74-GB2
(B)=3TNE74-GB2S
(C)=

(D)=
(E)=
(F)=

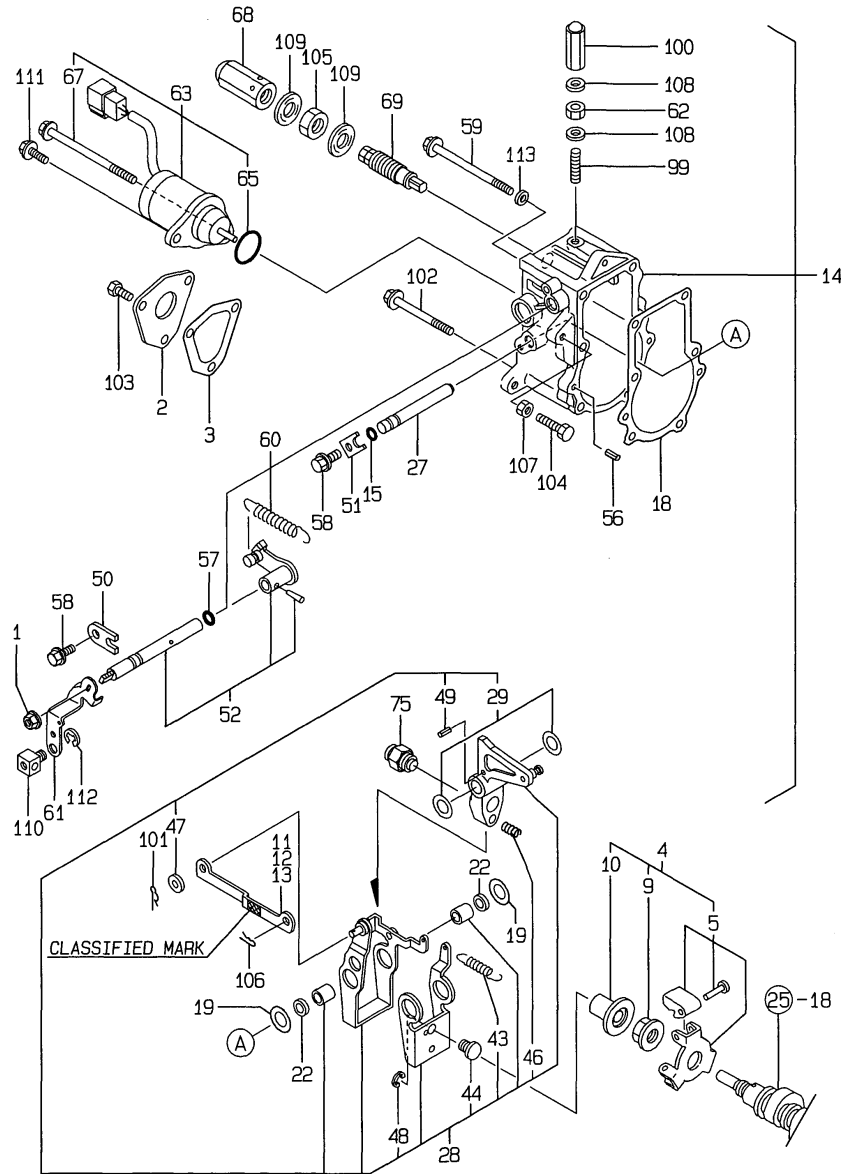
No.	Lev.	Parts No.	Description	Q'ty						I	R
				(A)	(B)	(C)	(D)	(E)	(F)		
1	1	719621-51100	PUMP ASSY, INJECTION	1	1						
4	2	119620-51101	PLUNGER ASSY	3	3						
7	2	119620-51170	RETAINER, SPRING A	3	3						
8	2	119620-51180	RETAINER, SPRING B	3	3						
9	2	119620-51190	SPRING, PLUNGER	3	3						
10	2	119620-51250	SHIM SET	3	3						
22	2	119620-51300	VALVE ASSY, DELIVERY	3	3						
25	2	105546-51330	SPRING, DELIVERY	3	3						
26	2	119620-51340	HOLDER, DELIVERY	3	3						
27	2	119620-51350	GASKET	3	3						
28	2	119620-51370	O-RING	3	3						
29	2	119620-51450	PIECE	3	3						
30	2	119620-51461	PIN	1	1						
31	2	119660-51500	RACK, CONTROL	1	1						
32	2	119620-51510	PINION	3	3						
33	2	119660-51530	RETAINER, RACK	1	1						
34	2	119620-51650	PLATE	2	2						
35	2	119620-51660	SCREW	2	2						
36	2	119620-51670	PIN	2	2						
37	2	119620-51680	PIN	1	1						
38	2	119620-51700	TAPPET ASSY	3	3						
43	2	22137-040000	WASHER, 4	2	2						
44	2	22217-040000	WASHER, SPRING 4	2	2						
45	2	26022-040082	SCREW, M4X 8	4	4						
46	2	26587-040102	SCREW, M4X10	2	2						

Fig.30. GOVERNOR

(A)=3TNE74-GB2
(B)=3TNE74-GB2S
(C)=

(D)=
(E)=
(F)=

30. GOVERNOR



No.	Lev.	Parts No.	Description	Q'ty						I	R
				(A)	(B)	(C)	(D)	(E)	(F)		
1	1	194990-22050	NUT, M8	1	1						
2	1	119660-61060	COVER, GOVERNOR CASE	1	1						
3	1	119660-61071	GASKET	1	1						
4	1	119600-61100	DRIVE ASSY	1	1						
5	2	119600-61200	WEIGHT ASSY,GOVERNOR	1	1						
9	2	119660-61300	NUT	1	1						
10	2	119660-61341	SLEEVE	1	1						
11	1	119660-61121	LINK, NO MARK	1	1						1
12	1	119660-61140	LINK, MARK :2	1	1						1
13	1	119660-61150	LINK, MARK :3	1	1						1
14	1	119288-61200	CASE ASSY, GOVERNOR	1	1						
15	2	129155-51280	O-RING, S6	1	1						
18	2	119660-61052	GASKET	1	1						
19	2	119660-61460	SHIM SET	1	1						
22	2	129155-61480	SPACER ASSY	2	2						
27	2	119660-61491	SHAFT	1	1						
28	2	119288-61510	LEVER ASSY, GOVERNOR	1	1						
29	3	174307-51700	SHIM SET	2	2						
43	3	119232-61540	SPRING	1	1						
44	3	119600-61541	SHIFTER	1	1						
46	3	119660-61650	SPRING, STARTING	1	1						
47	3	22117-040000	WASHER, 4	1	1						
48	3	22272-000040	RING, E- 4	1	1						
49	3	22351-030014	PIN, SPRING 3.0X14	1	1						
50	2	119600-61900	RETAINER, SHAFT	1	1						
51	2	119660-61901	RETAINER, SHAFT	1	1						
52	2	119285-66080	SHAFT ASSY	1	1						
56	2	22351-040010	PIN, SPRING 4.0X10	2	2						
57	2	24341-000070	O-RING, 1AS7.0	1	1						
58	2	26106-060102	BOLT, M6X 10 PLATED	2	2						
59	1	26106-060752	BOLT, M6X 75 PLATED	3	3						
60	1	119600-66020	SPRING, REGULATOR	1	1						
61	1	119621-66051	LEVER, REGULATOR	1	1						
62	1	124550-66370	NUT, M6	1	1						
63	1	119653-66500	STOPPER ASSY	1	1						
65	2	24341-000280	O-RING, 1AS28.0	1	1						
67	2	26106-060952	BOLT, M6X 95 PLATED	1	1						
68	1	129100-61930	NUT, CAP	1	1						
69	1	119600-66530	LIMITER ASSY, FUEL	1	1						
75	1	119260-66720	ANGLEICH ASSY	1	1						
99	1	121575-66830	SCREW	1	1						
100	1	119600-66840	NUT, CAP	1	1						
101	1	22360-040000	PIN, SNAP 4	1	1						
102	1	26106-060702	BOLT, M6X 70 PLATED	2	2						
103	1	26116-050102	BOLT, M5X 10 PLATED	3	3						
104	1	26116-060304	BOLT, M6X 30 PLATED	1	1						
105	1	26776-120002	NUT, LOCK M12	1	1						
106	1	22360-060000	PIN, SNAP 6	1	1						
107	1	26756-060002	NUT, LOCK M6	1	1						
108	1	22190-060003	SEAL WASER 6	2	2						
109	1	22190-120002	WASHER, SEAL 12	2	2						

Remarks

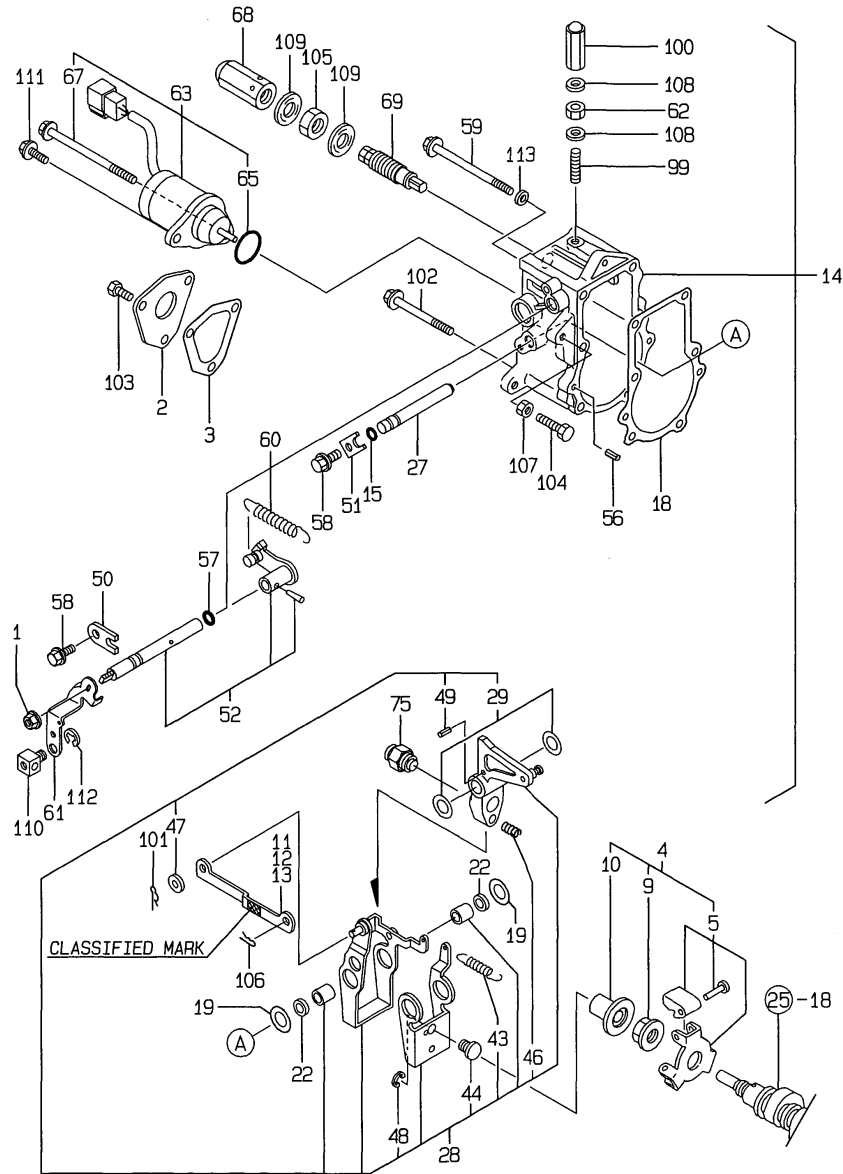
(1) SELECTIVE PARTS : CERTAIN THE CLASSIFICATION MARK, THEN PLACE YOUR ORDER.(REF. TO ILLUSTRATION)

Fig.30. GOVERNOR

(A)=3TNE74-GB2
(B)=3TNE74-GB2S
(C)=

(D)=
(E)=
(F)=

30. GOVERNOR



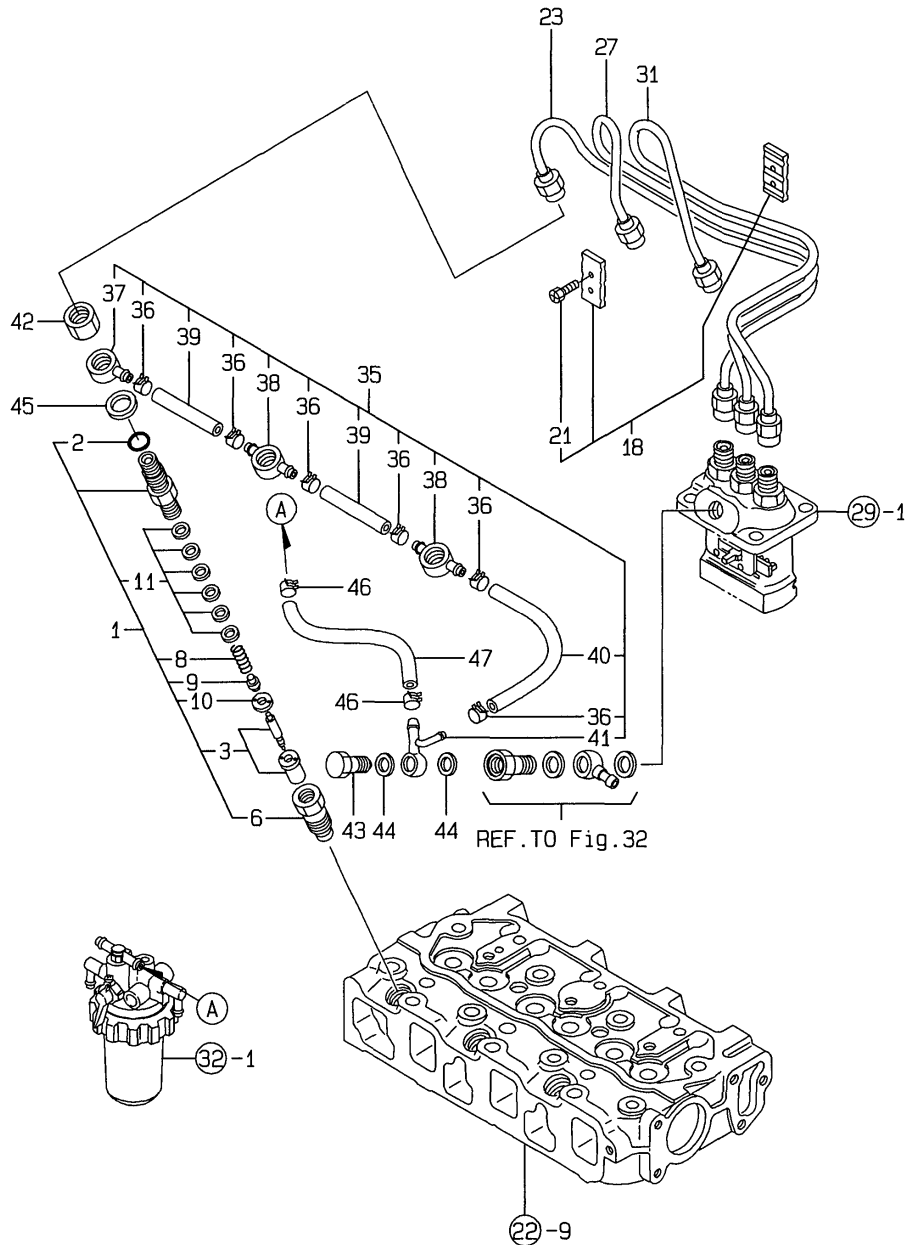
No.	Lev.	Parts No.	Description	Q'ty						I	R
				(A)	(B)	(C)	(D)	(E)	(F)		
110	1	124756-67510	RETAINER	1	1						
111	1	121465-59950	BOLT, M6X16	1	1						
112	1	22272-000070	RING, E- 7	1	1						
113	1	22111-060000	WASHER 6	3	3						

Remarks

(1) SELECTIVE PARTS : CERTAIN THE CLASSIFICATION MARK, THEN PLACE YOUR ORDER.(REF. TO ILLUSTRATION)

Fig.31. FUEL INJECTION VALVE

31.FUEL INJECTION VALVE



(A)=3TNE74-GB2
(B)=3TNE74-GB2S
(C)=

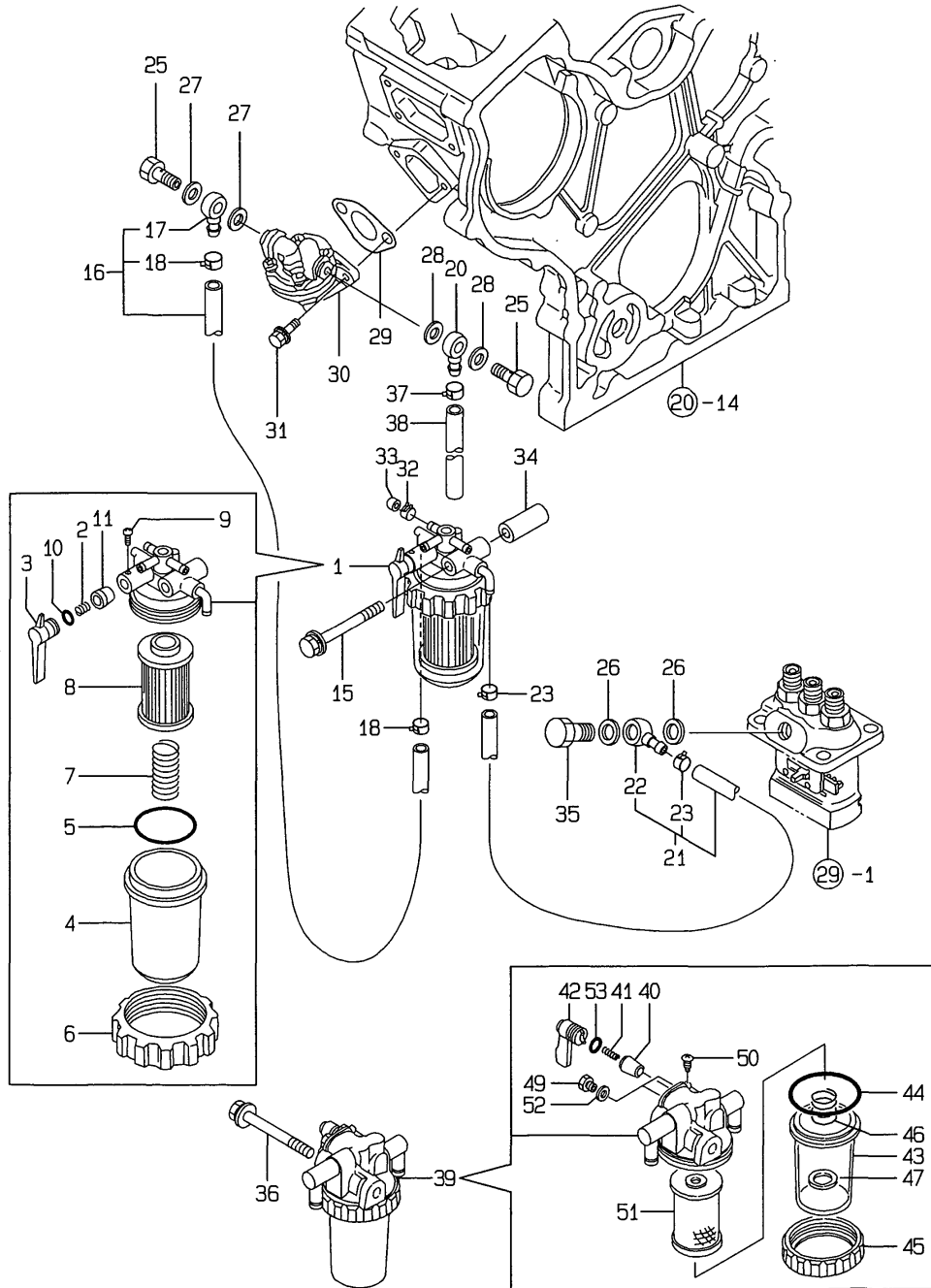
(D)=
(E)=
(F)=

No.	Lev.	Parts No.	Description	Q'ty						I	R
				(A)	(B)	(C)	(D)	(E)	(F)		
1	1	719255-53100	VALVE ASSY,INJECTION	3	3						M
1-1	1	719620-53100	VALVE ASSY,INJECTION	3	3						
2	2	129155-61830	O-RING, S10	3	3						
3	2	119620-53000	VALVE ASSY,INJECTION	3	3						
6	2	119620-53080	NUT, NOZZLE	3	3						
8	2	119620-53120	SPRING, NOZZLE	3	3						
9	2	114250-53130	SEAT, SPRING	3	3						
10	2	119620-53140	SPACER, VALVE STOP	3	3						
11	2	114250-53400	SHIM SET	3	3						
18	1	129150-59120	RETAINER, PIPE	1	1						
21	2	129150-59131	BOLT, M4X14	2	2						
23	1	119620-59811	PIPE ASSY, INJECTION	1	1						
27	1	119620-59821	PIPE ASSY, INJECTION	1	1						
31	1	119620-59831	PIPE ASSY, INJECTION	1	1						
35	1	119642-59540	PIPE ASSY, RETURN	1	1						
36	2	124066-59100	CLIP, HOSE 8	6	6						
37	2	119260-59520	JOINT	1	1						
38	2	119260-59530	JOINT	2	2						
39	2	105025-59550	PIPE, FUEL RETURN	2	2						
40	2	119642-59550	PIPE, FUEL RETURN	1	1						
41	2	119642-59570	JOINT, OVER FLOW	1	1						
42	1	119620-59700	NUT, NOZZLE	3	3						
43	1	124550-59820	BOLT, PIPE JOINT M8	1	1						
44	1	23414-080012	GASKET, 8X1.0	2	2						
45	1	23414-140000	GASKET, 14X1.0	3	3						
46	1	124766-59050	CLIP, HOSE 12	2	2						
47	1	119225-59560	PIPE, FUEL	1	1						

Remarks
(M) MISPRINT.

Fig.32. FUEL LINE

32.FUEL LINE



(A)=3TNE74-GB2
(B)=3TNE74-GB2S
(C)=

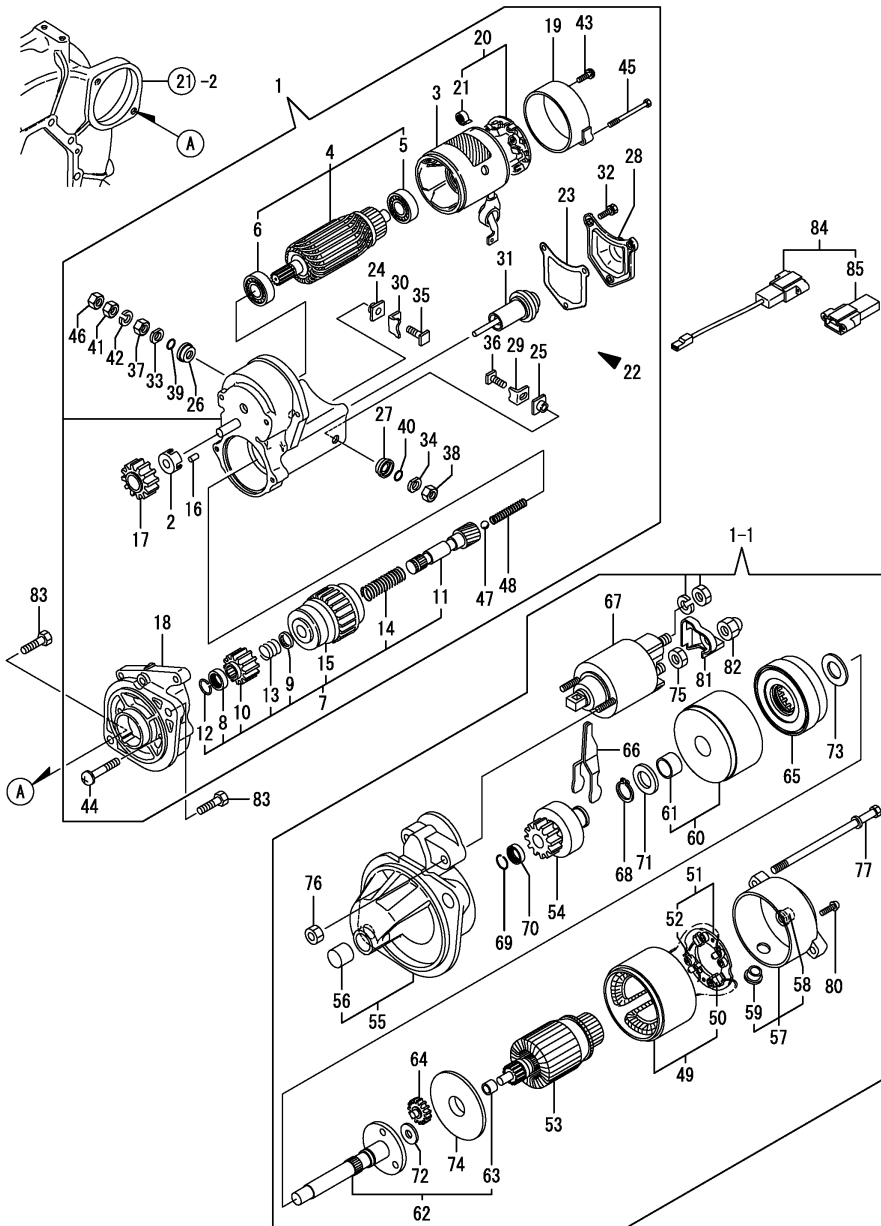
(D)=
(E)=
(F)=

No.	Lev.	Parts No.	Description	Q'ty						I	R
				(A)	(B)	(C)	(D)	(E)	(F)		
1	1	119632-55620	FILTER ASSY, FUEL	1	1						
2	2	104200-55330	SPRING, VALVE	1	1						
3	2	119810-55340	LEVER	1	1						
4	2	121254-55510	COVER	1	1						
5	2	102103-55520	O-RING	1	1						
6	2	110250-55610	RING, RETAINING	1	1						
7	2	121250-55620	SPRING	1	1						
8	2	124550-55700	FILTER, FUEL L=90	1	1						
9	2	104200-55750	SCREW, M4	1	1						
10	2	24311-240100	O-RING, 1AP10A	1	1						
11	2	104200-55321	VALVE, TAPER	1	1						
15	1	26106-081202	BOLT, M8X120 PLATED	1	1						
16	1	119260-59020	PIPE ASSY, D12XL400	1	1						
17	2	104264-59030	JOINT, PIPE 8	1	1						
18	2	124766-59050	CLIP, HOSE 12	2	2						
20	1	104264-59030	JOINT, PIPE 8	1	1						
21	1	119225-59030	PIPE ASSY, FUEL	1	1						
22	2	101304-59020	JOINT, PIPE 12	1	1						
23	2	124766-59050	CLIP, HOSE 12	2	2						
25	1	105582-59150	BOLT, PIPE JOINT	2	2						
26	1	104200-59170	GASKET, 12	2	2						
27	1	22190-080002	WASHER, SEAL 6	2	2						
28	1	22190-080002	WASHER, SEAL 6	2	2						
29	1	121520-01851	GASKET	1	1						
30	1	119600-52021	PUMP ASSY, FUEL FEED	1	1						
31	1	26106-060162	BOLT, M6X 16 PLATED	2	2						
32	1	124066-59100	CLIP, HOSE 8	1	1						
33	1	129150-59580	CAP	1	1						
34	1	119288-77340	PIECE, DISTANCE	1	1						
35	1	119650-59200	BOLT, PIPE JOINT M12	1	1						
36	1	26014-080702	BOLT, M8X 70	1	1						
37	1	124766-59050	CLIP, HOSE 12	2	2						
38	1	121024-59090	PIPE, FUEL D12X450	1	1						
39	1	129335-55700	SEPARATOR ASSY,WATER	1	1						
40	2	104200-55321	VALVE, TAPER	1	1						
41	2	104200-55330	SPRING, VALVE	1	1						
42	2	104200-55341	HANDLE	1	1						
43	2	124064-55510	COVER	1	1						
44	2	102103-55520	O-RING	1	1						
45	2	110250-55610	RING, RETAINING	1	1						
46	2	121257-55720	SPRING	1	1						
47	2	121257-55731	FLOAT	1	1						
49	2	101720-55750	PLUG, 6	2	2						
50	2	104200-55750	SCREW, M4	1	1						
51	2	171081-55910	SCREEN	1	1						
52	2	23418-060000	GASKET, 6X1.0	2	2						
53	2	24311-240100	O-RING, 1AP10A	1	1						

Fig.33. STARTING MOTOR

(A)=3TNE74-GB2
(B)=3TNE74-GB2S
(C)=

(D)=
(E)=
(F)=



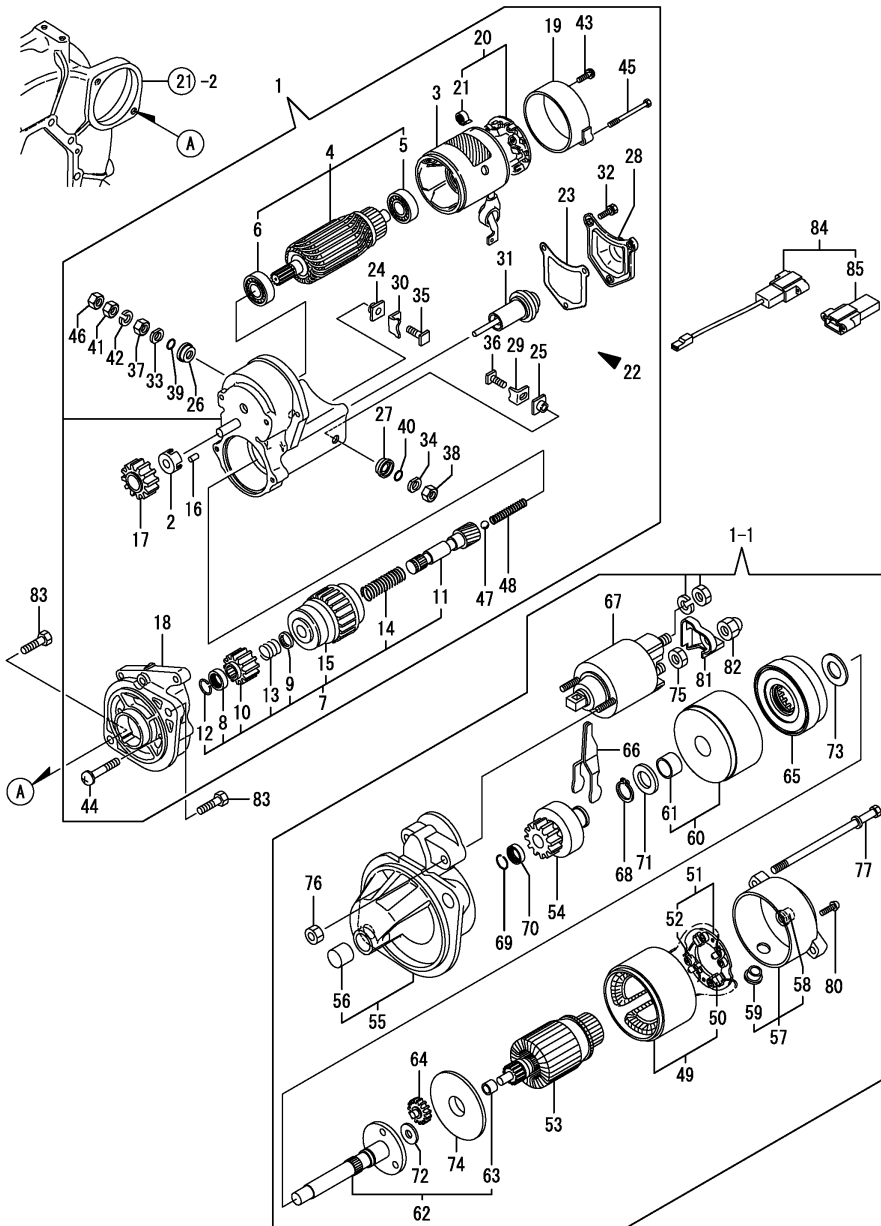
No.	Lev.	Parts No.	Description	Q'ty						I	R
				(A)	(B)	(C)	(D)	(E)	(F)		
1	1	119620-77011	STARTER	1	1						
1-1	1	119255-77010	STARTER	1	1						F 1
		(A=*2000.07.) (B=*2000.07.)									
2	2	X0280630011	RETAINER	1	1						Z
		(A=*2000.07.) (B=*2000.07.)									
3	2	X0281003751	YOKE ASSY	1	1						Z
		(A=*2000.07.) (B=*2000.07.)									
4	2	X0282001531	ARMATURE ASSY	1	1						Z
		(A=*2000.07.) (B=*2000.07.)									
5	3	X9491001360	BEARING	1	1						Z
		(A=*2000.07.) (B=*2000.07.)									
6	3	X9491001860	BEARING, BALL	1	1						Z
		(A=*2000.07.) (B=*2000.07.)									
7	2	X0283005050	CLUTCH, STARTER	1	1						Z
		(A=*2000.07.) (B=*2000.07.)									
8	3	X0280210230	NUT	1	1						Z
		(A=*2000.07.) (B=*2000.07.)									
9	3	X0283270140	RETAINER	1	1						Z
		(A=*2000.07.) (B=*2000.07.)									
10	3	X0283715030	PINION, STARTER	1	1						Z
		(A=*2000.07.) (B=*2000.07.)									
11	3	X0283810040	SHAFT	1	1						Z
		(A=*2000.07.) (B=*2000.07.)									
12	3	X9490721080	RING	1	1						Z
		(A=*2000.07.) (B=*2000.07.)									
13	3	X9491703371	SPRING, COIL	1	1						Z
		(A=*2000.07.) (B=*2000.07.)									
14	3	X9491704260	SPRING	1	1						Z
		(A=*2000.07.) (B=*2000.07.)									
15	3	121120-77930	CASE ASSY, STARTER	1	1						Z
		(A=*2000.07.) (B=*2000.07.)									
16	2	X0283060061	ROLLER	5	5						Z
		(A=*2000.07.) (B=*2000.07.)									
17	2	X0283711420	PINION	1	1						Z
		(A=*2000.07.) (B=*2000.07.)									
18	2	X0284004910	HOUSING	1	1						Z
		(A=*2000.07.) (B=*2000.07.)									
19	2	X0285040631	FRAME ASSY	1	1						Z
		(A=*2000.07.) (B=*2000.07.)									
20	2	X0285100460	HOLDER ASSY, BRUSH	1	1						Z
		(A=*2000.07.) (B=*2000.07.)									
21	3	X9491730461	SPRING	4	4						Z
		(A=*2000.07.) (B=*2000.07.)									
22	2	X0534006460	SWITCH	1	1						Z
		(A=*2000.07.) (B=*2000.07.)									
23	3	X0534040320	GASKET	1	1						Z
		(A=*2000.07.) (B=*2000.07.)									
24	3	X0534490120	BUSH	1	1						Z
		(A=*2000.07.) (B=*2000.07.)									
25	3	X0534490120	BUSH	1	1						Z
		(A=*2000.07.) (B=*2000.07.)									

Remarks
(1) Ref.no.1-1 & 84 Interchangeable by set.

Fig.33. STARTING MOTOR

(A)=3TNE74-GB2
(B)=3TNE74-GB2S
(C)=

(D)=
(E)=
(F)=



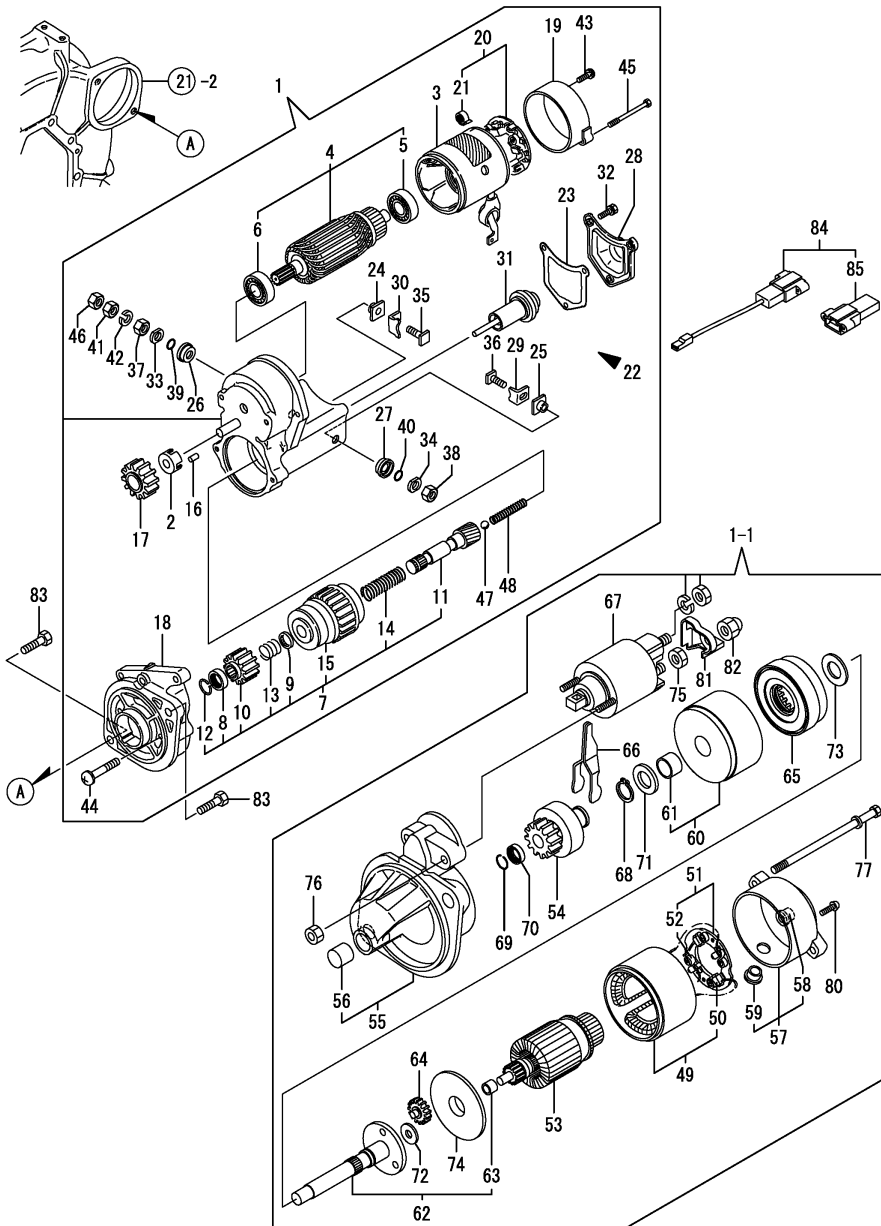
No.	Lev.	Parts No.	Description	Q'ty						I	R
				(A)	(B)	(C)	(D)	(E)	(F)		
26	3	X0534490230 (A=*2000.07.) (B=*2000.07.)	BUSH	1	1						Z
27	3	X0534490230 (A=*2000.07.) (B=*2000.07.)	BUSH	1	1						Z
28	3	X0535050620 (A=*2000.07.) (B=*2000.07.)	COVER	1	1						Z
29	3	X0535130241 (A=*2000.07.) (B=*2000.07.)	PLATE	1	1						Z
30	3	X0535130320 (A=*2000.07.) (B=*2000.07.)	PLATE	1	1						Z
31	3	X0536600401 (A=*2000.07.) (B=*2000.07.)	PLUNGER	1	1						Z
32	3	X9151005141 (A=*2000.07.) (B=*2000.07.)	BOLT	3	3						Z
33	3	X9490170900 (A=*2000.07.) (B=*2000.07.)	WASHER	1	1						Z
34	3	X9490170900 (A=*2000.07.) (B=*2000.07.)	WASHER	1	1						Z
35	3	X9490441303 (A=*2000.07.) (B=*2000.07.)	BOLT	1	1						Z
36	3	X9490441312 (A=*2000.07.) (B=*2000.07.)	BOLT	1	1						Z
37	3	X9490502820 (A=*2000.07.) (B=*2000.07.)	NUT	1	1						Z
38	3	X9490502820 (A=*2000.07.) (B=*2000.07.)	NUT	1	1						Z
39	3	X9491402100 (A=*2000.07.) (B=*2000.07.)	O-RING	1	1						Z
40	3	X9491402100 (A=*2000.07.) (B=*2000.07.)	O-RING	1	1						Z
41	2	X9019008651 (A=*2000.07.) (B=*2000.07.)	NUT	1	1						Z
42	2	X9025808001 (A=*2000.07.) (B=*2000.07.)	WASHER	1	1						Z
43	2	X9490071810 (A=*2000.07.) (B=*2000.07.)	SCREW	2	2						Z
44	2	X9490071970 (A=*2000.07.) (B=*2000.07.)	SCREW	2	2						Z
45	2	X9490423330 (A=*2000.07.) (B=*2000.07.)	BOLT	2	2						Z
46	2	X9490561370 (A=*2000.07.) (B=*2000.07.)	NUT	1	1						Z
47	2	X9491200240 (A=*2000.07.) (B=*2000.07.)	BALL	1	1						Z
48	2	X9491703380 (A=*2000.07.) (B=*2000.07.)	SPRING	1	1						Z
49	2	X0281007680 (A=*2000.07.) (B=*2000.07.)	YOKE ASSY	1	1						W
50	3	X0280996180 (A=*2000.07.) (B=*2000.07.)	STARTER KIT	2	2						W
51	2	X0285105190	HOLDER ASSY	1	1						W

Remarks
(1) Ref.no.1-1 & 84 Interchangeable by set.

Fig.33. STARTING MOTOR

(A)=3TNE74-GB2
(B)=3TNE74-GB2S
(C)=

(D)=
(E)=
(F)=



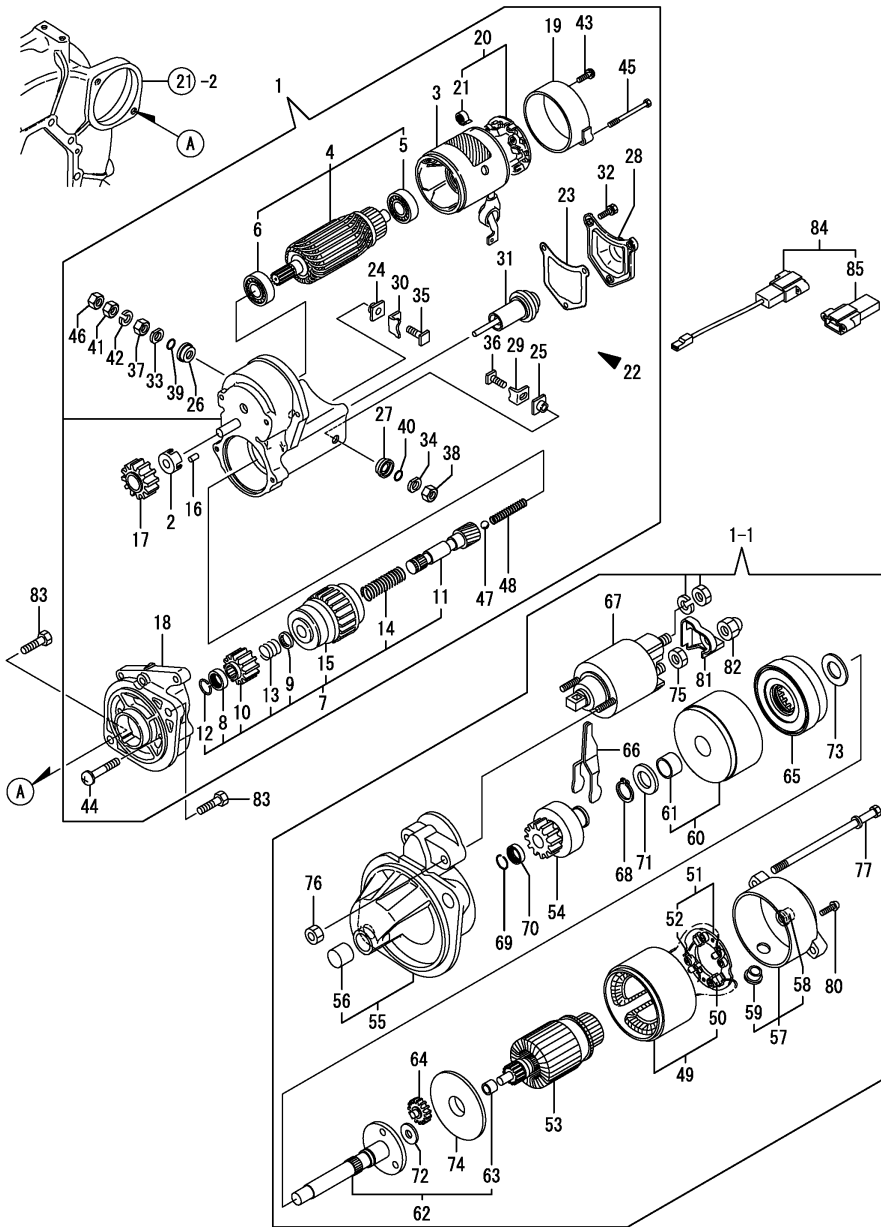
No.	Lev.	Parts No.	Description	Q'ty						I	R
				(A)	(B)	(C)	(D)	(E)	(F)		
52	3	X0285205030	SPRING	4	4						W
53	2	X0282005871	ARMATURE ASSY	1	1						W
54	2	X0283006960	CLUTCH ASSY	1	1						W
55	2	X2284005750	HOUSING ASSY	1	1						W
56	3	X9491050100	BEARING, NEEDLE	1	1						W
57	2	X0285005770	FRAME ASSY	1	1						W
58	3	X9491040990	BEARING	1	1						W
59	3	X0280626010	COVER	1	1						W
60	2	X0284105010	BEARING ASSY	1	1						W
61	3	X9491034330	BEARING	1	1						W
62	2	X0286105010	SHAFT ASSY	1	1						W
63	3	X9491034320	BEARING	1	1						W
64	2	X0286305010	GEAR	3	3						W
65	2	X0286355010	GEAR	1	1						W
66	2	X0287405140	LEVER	1	1						W
67	2	X0534007800	SWITCH ASSY	1	1						W
68	2	X9055715000	RING	1	1						W
69	2	X9490721360	RING	1	1						W
70	2	X0280210331	NUT	1	1						W
71	2	X9490138110	WASHER	1	1						W
72	2	X9490138090	WASHER	1	1						W
73	2	X9490138100	WASHER	1	1						W
74	2	X0284525010	PLATE	1	1						W
75	2	X9490562360	NUT	1	1						W
76	2	X9490560750	NUT	2	2						W

Remarks
(1) Ref.no.1-1 & 84 Interchangeable by set.

Fig.33. STARTING MOTOR

(A)=3TNE74-GB2
(B)=3TNE74-GB2S
(C)=

(D)=
(E)=
(F)=

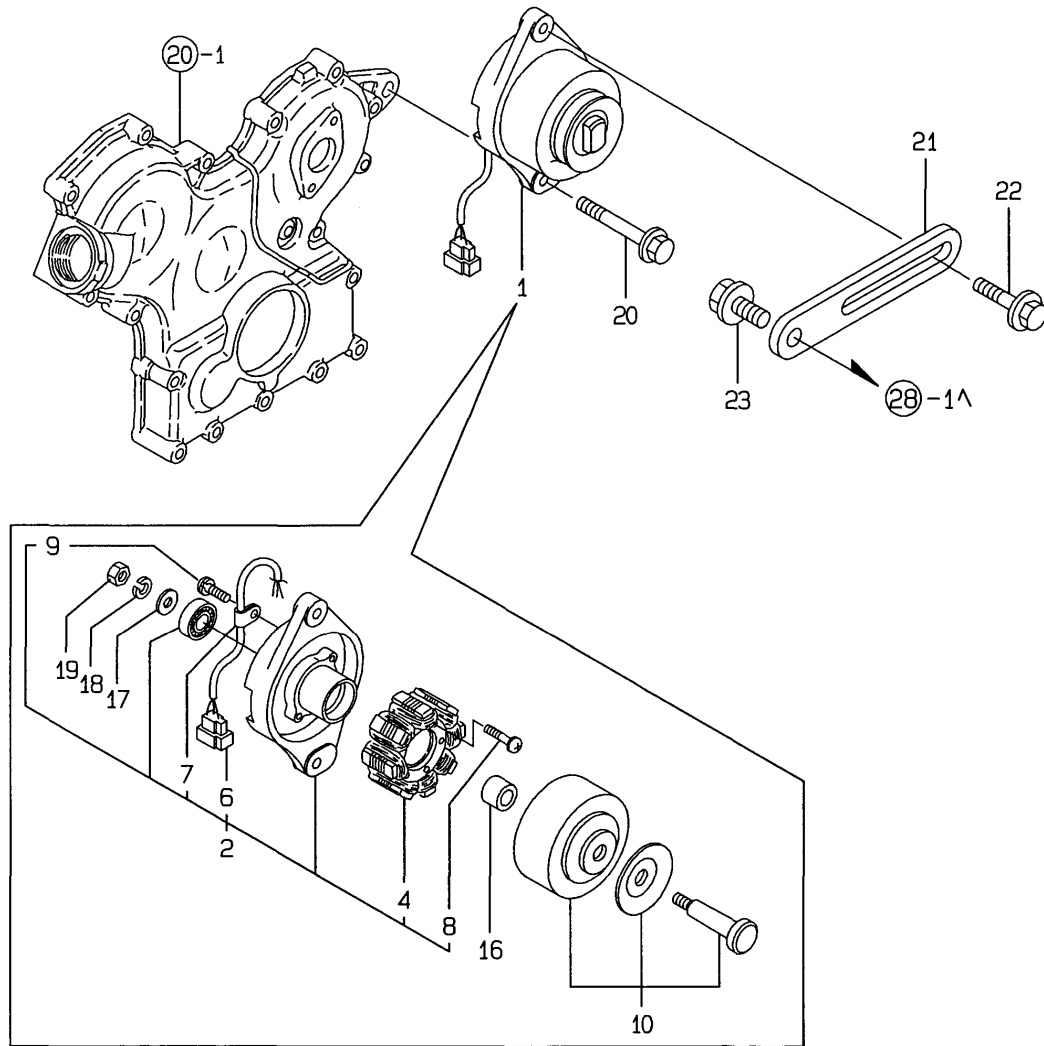


No.	Lev.	Parts No.	Description	Q'ty						I	R
				(A)	(B)	(C)	(D)	(E)	(F)		
77	2	X9490423520 (A=*2000.07.)	BOLT, THROUGH (B=*2000.07.)	2	2						W
80	2	X9490065670 (A=*2000.07.)	SCREW, M4X6 (B=*2000.07.)	2	2						W
81	2	X0280335360 (A=*2000.07.)	COVER, TERMINAL (B=*2000.07.)	1	1						W
82	2	X1289510130 (A=*2000.07.)	NUT (B=*2000.07.)	1	1						W
83	1	26116-120252 (A=*2000.07.)	BOLT, M12X 25 PLATED (B=*2000.07.)	2	2						
84	1	129052-77951 (A=*2000.07.)	CONNECTOR, STARTER (B=*2000.07.)	1	1						W 1
85	2	129052-77960 (A=*2000.07.)	HOUSING (B=*2000.07.)	1	1						W 1

Remarks
(1) Ref.no.1-1 & 84 Interchangeable
by set.

Fig.34. GENERATOR

34. GENERATOR



(A)=3TNE74-GB2
(B)=3TNE74-GB2S
(C)=

(D)=
(E)=
(F)=

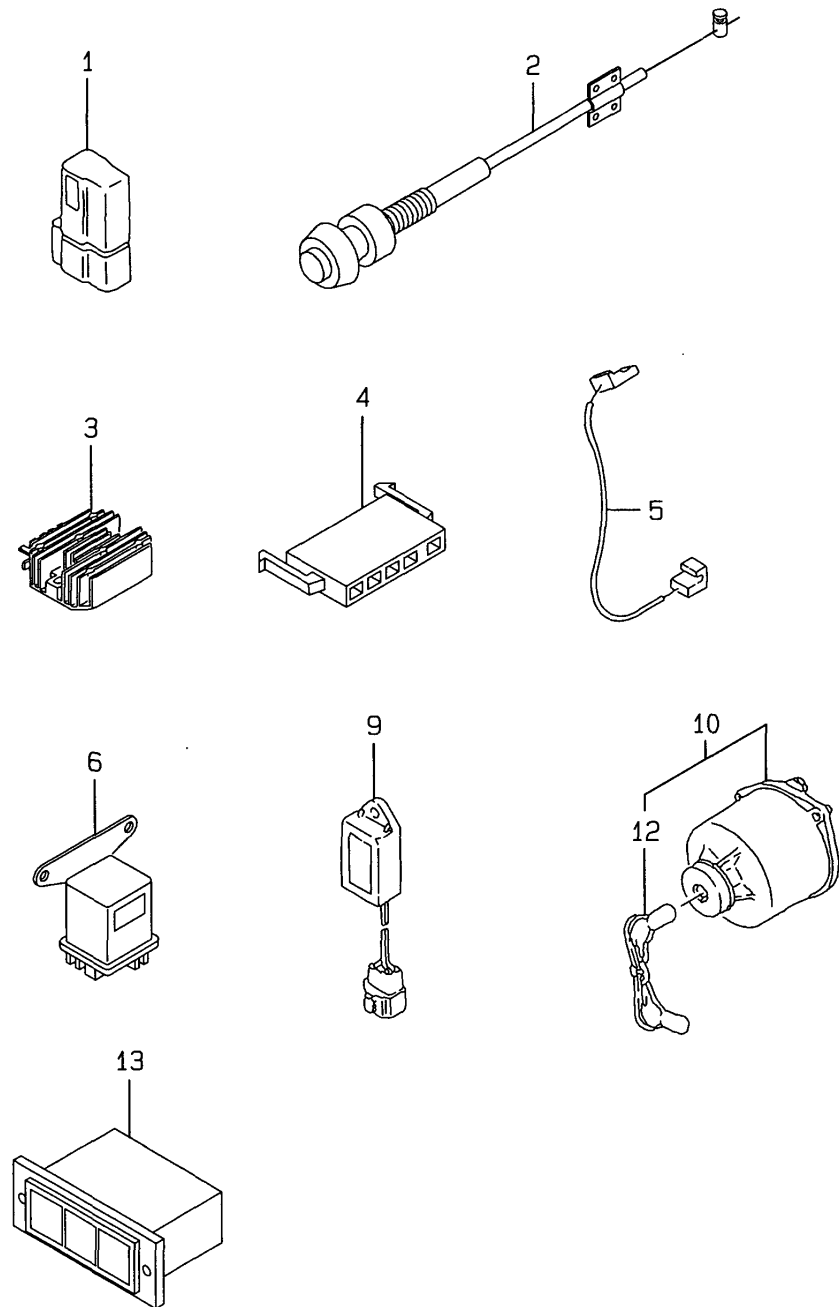
No.	Lev.	Parts No.	Description	Q'ty						I	R
				(A)	(B)	(C)	(D)	(E)	(F)		
1	1	171301-77201	DYNAMO ASSY, 15A	1	1						
2	2	XM08137	PLATE ASSY	1	1						
4	3	XM08180	STATOR SET	1	1						
6	3	XM17878	COUPLER	1	1						
7	3	XM36410	CLAMP	1	1						
8	3	26022-040252	SCREW, M4X25	2	2						
9	3	XYSPS4008	SCREW	1	1						
10	2	XM82184	FLYWHEEL ASSY	1	1						
16	2	106383-44720	SPACER	1	1						
17	2	106383-44730	WASHER	1	1						
18	2	22212-100000	SPRING WASHER 10	1	1						
19	2	26716-100002	NUT, M10	1	1						
20	1	26106-100402	BOLT, M10X 40 PLATED	1	1						
21	1	119600-77330	ADJUSTER	1	1						
22	1	26014-080252	BOLT, M8X 25	1	1						
23	1	26106-080162	BOLT, M8X 16 PLATED	1	1						

Fig.35. ELECTRICAL PARTS

(A)=3TNE74-GB2
(B)=3TNE74-GB2S
(C)=

(D)=
(E)=
(F)=

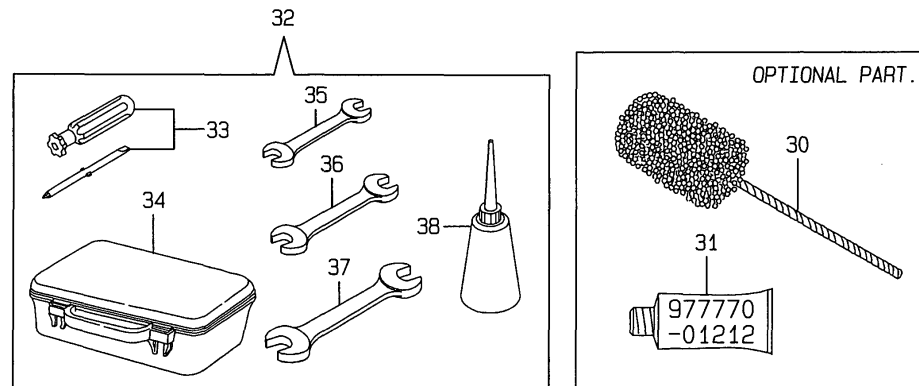
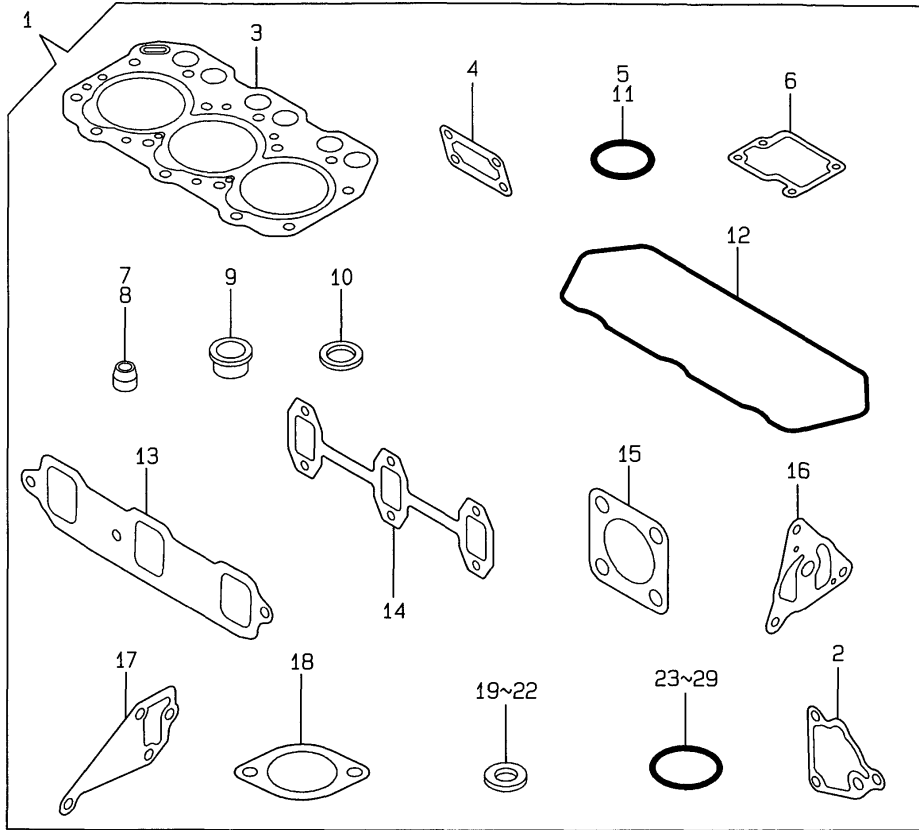
35. ELECTRIC PARTS



No.	Lev.	Parts No.	Description	Q'ty						I	R
				(A)	(B)	(C)	(D)	(E)	(F)		
1	1	119643-66900	DIODE	1	1						
2	1	170022-67100	CABLE, PUSH-PULL		1						
3	1	119660-77710	LIMITER, CURRENT 15A	1	1						
3-1	1	119660-77711 (A=E40670)	LIMITER, CURRENT 15A (B=E40472)	1	1						N
4	1	171301-77720	COUPLER	1	1						
5	1	119643-77900	CONNECTOR, STARTER	1	1						
6	1	119650-77910	RELAY ASSY, GLOW	1	1						
9	1	119632-77920	TIMER	1	1						
10	1	129115-91250	SWITCH ASSY	1	1						
12	2	129115-91270	KEY ASSY	1	1						
13	1	170038-91310	LAMP	1	1						

Fig.36. GASKET SET & TOOLS

36. GASKET SET



(A)=3TNE74-GB2
(B)=3TNE74-GB2S
(C)=

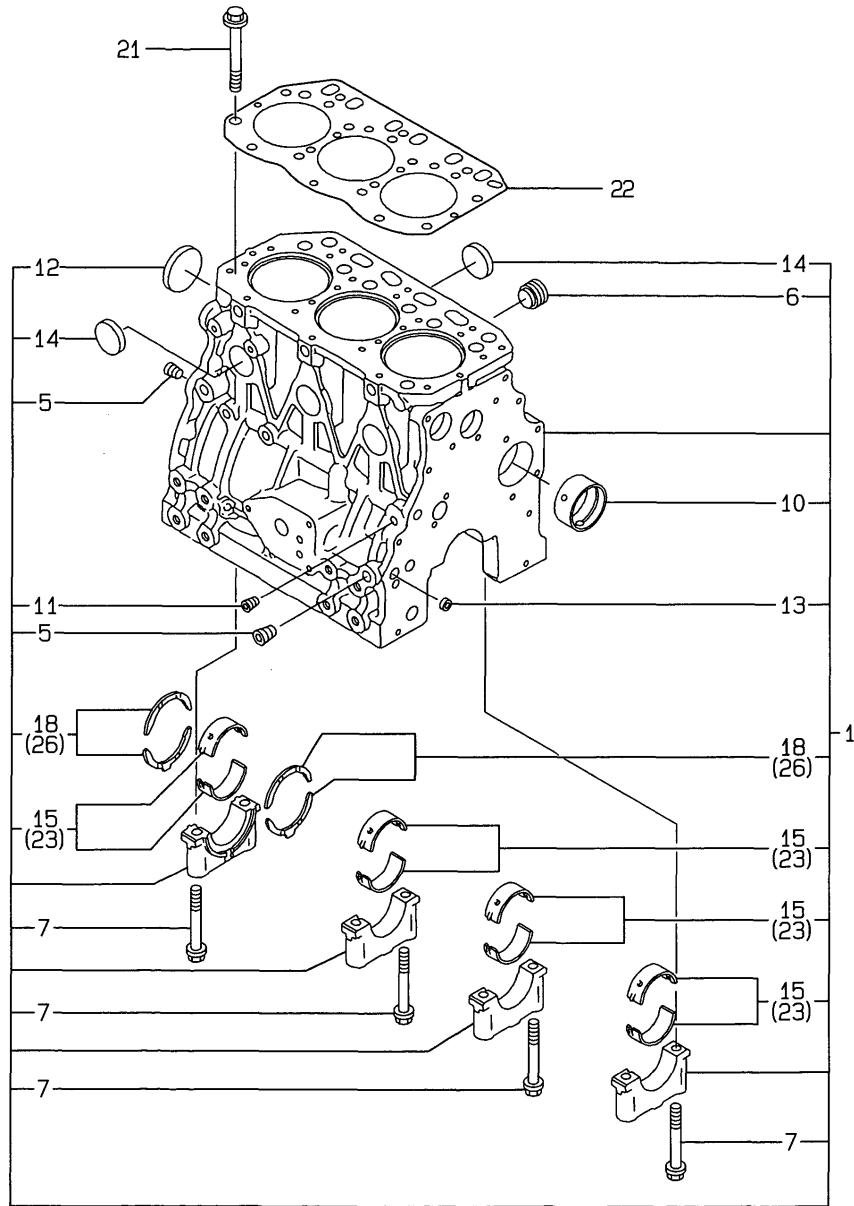
(D)=
(E)=
(F)=

No.	Lev.	Parts No.	Description	Q'ty						I	R
				(A)	(B)	(C)	(D)	(E)	(F)		
1	1	719623-92640	GASKET SET	1	1						1
2	2	119660-35113	GASKET	1	1						
3	2	119623-01330	GASKET, HEAD	1	1						
4	2	119660-01562	GASKET	1	1						
5	2	24311-000320	O-RING, 1AP32.0	1	1						
6	2	119620-03031	GASKET	1	1						
7	2	124950-11340	SEAL, VALVE STEM	3	3						
8	2	124160-11340	SEAL, VALVE STEM	3	3						
9	2	119600-11450	PROTECTOR, NOZZLE	3	3						
10	2	119600-11460	GASKET, NOZZLE	6	6						
11	2	24311-000320	O-RING, 1AP32.0	1	1						
12	2	119620-11310	GASKET, BONNET	1	1						
13	2	119620-12111	GASKET, MANIFOLD	1	1						
14	2	119620-13110	GASKET	1	1						
15	2	121000-13201	GASKET, SILENCER	2	2						
16	2	119660-32020	GASKET, PUMP	1	1						
17	2	119620-42020	GASKET, WATER PUMP	1	1						
18	2	129350-49541	GASKET	1	1						
19	2	124465-44950	GASKET, 16	2	2						
20	2	104200-59170	GASKET, 12	2	2						
21	2	23414-140000	GASKET, 14X1.0	3	3						
22	2	22190-080002	WASHER, SEAL 6	4	4						
23	2	24311-000120	O-RING, 1AP12.0	4	4						
24	2	129155-61830	O-RING, S10	3	3						
25	2	24341-000240	O-RING, 1AS24.0	1	1						
26	2	24311-000160	O-RING, 1AP16.0	1	1						
27	2	119209-35030	O-RING, P11	1	1						
28	2	24321-000600	O-RING, 1AG60.0	1	1						
29	2	24321-000700	O-RING, 1AG70.0	1	1						
30	1	129400-92410	HONE	1	1						1
31	1	977770-01212	GASKET, LIQUID	1	1						1
32	1	721400-92102	BOX ASSY, TOOL	1	1						
33	2	104200-92350	DRIVER, SCREW	1	1						
34	2	104200-92600	BOX, TOOL	1	1						
35	2	28110-100120	SPANNER, 10X12	1	1						
36	2	28110-140170	SPANNER, 14X17	1	1						
37	2	28110-190220	SPANNER, 19X22	1	1						
38	2	28210-000140	OILER	1	1						

Remarks
(1) OPTIONAL PART.

Fig.37. CYLINDER BLOCK

37. CYLINDER BLOCK



(A)=3TNE84-GB2
(B)=3TNE84-GB2S
(C)=

(D)=
(E)=
(F)=

No.	Lev.	Parts No.	Description	Qty						I	R
				(A)	(B)	(C)	(D)	(E)	(F)		
1	1	729002-01560	BLOCK ASSY, CYLINDER	1	1						
5	2	124160-01910	PLUG, PT1/4	3	3						
6	2	171051-01921	PLUG, NPTF1	1	1						
7	2	129150-02020	BOLT, METAL CAP	8	8						
10	2	129795-02411	BUSH, CAMSHAFT	1	1						
11	2	23871-010000	PLUG, R01	1	1						
12	2	27231-500000	PLUG 50	1	1						
13	2	27241-120000	PLUG, 12	2	2						
14	2	27241-300000	PLUG 30	6	6						
15	2	129001-02800	BEARING, MAIN	4	4						
18	2	129150-02930	BEARING, THRUST	2	2						
21	1	129150-01200	BOLT, HEAD	14	14						
22	1	129002-01331	GASKET, HEAD	1	1						
23	1	129150-02870	BEARING, 0.25 US	4	4						1
26	1	129150-02940	BEARING, THRUST 0.25	2	2						2

Remarks

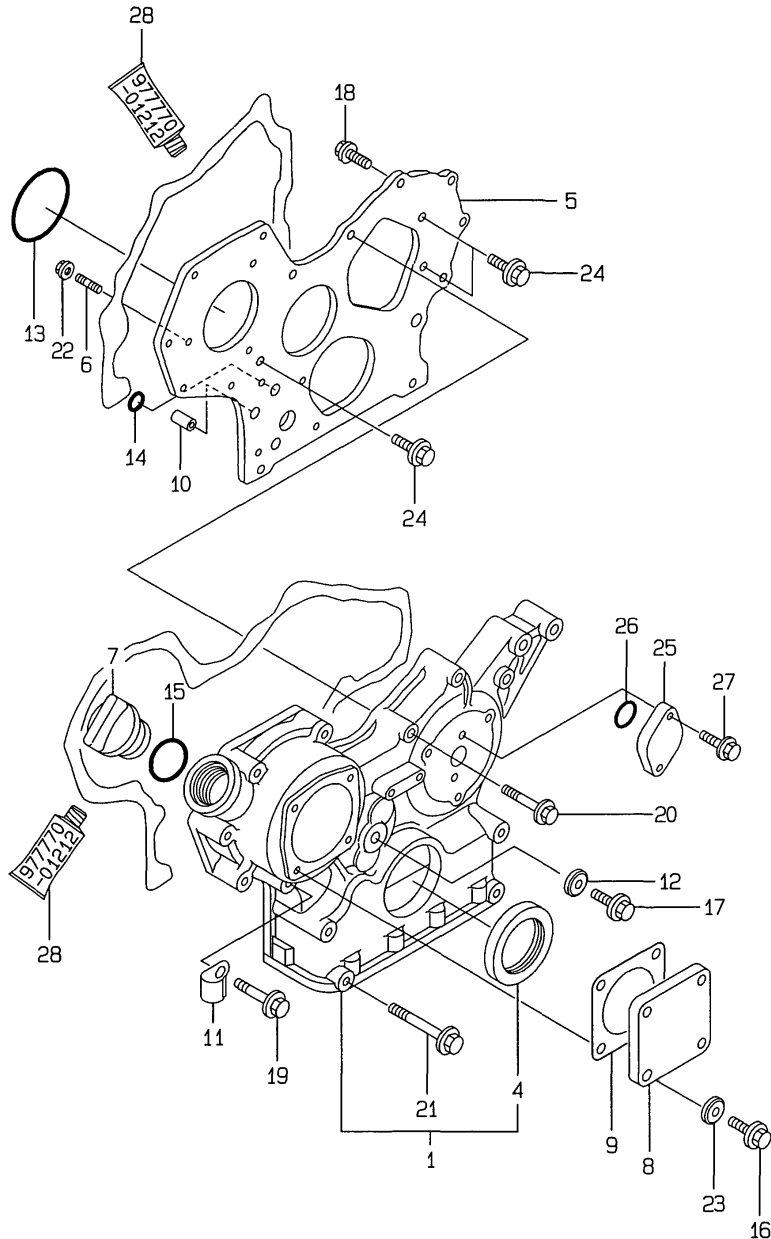
- (1) UNDER-SIZE(U.S=0.25)PART.
- (2) OVER-SIZE(O.S=0.25)PART.

Fig.38. GEAR HOUSING

(A)=3TNE84-GB2
(B)=3TNE84-GB2S
(C)=

(D)=
(E)=
(F)=

38. GEAR HOUSING



No.	Lev.	Parts No.	Description	Q'ty						I	R
				(A)	(B)	(C)	(D)	(E)	(F)		
1	1	719810-01500	CASE ASSY, GEAR	1	1						
4	2	129795-01800	SEAL, OIL	1	1						
5	1	129400-01520	FLANGE, GEAR CASE	1	1						
6	1	121450-01560	STUD, M8X22	3	3						
7	1	124160-01751	COVER, FILLER	1	1						
8	1	124240-01871	COVER	1	1						
9	1	124240-01883	GASKET	1	1						
10	1	129795-01950	PIPE, KNOCK L=18	2	2						
11	1	129150-03100	RETAINER, PIPE	1	1						
12	1	22190-080002	WASHER, SEAL 6	1	1						
13	1	121850-51960	O-RING	1	1						
14	1	24311-000160	O-RING, 1AP16.0	2	2						
15	1	24311-000320	O-RING, 1AP32.0	1	1						
16	1	26106-080122	BOLT, M8X 12 PLATED	4	4						
17	1	26106-080162	BOLT, M8X 16 PLATED	1	1						
18	1	26106-080202	BOLT, M8X 20 PLATED	2	2						
19	1	26106-080452	BOLT, M8X 45 PLATED	6	6						
20	1	26106-080552	BOLT, M8X 55 PLATED	3	3						
21	1	129001-91840	BOLT, M8X85	4	4						
22	1	26366-080002	NUT, M8	3	3						
23	1	22190-080002	WASHER, SEAL 6	4	4						
24	1	26106-080162	BOLT, M8X 16 PLATED	3	3						
25	1	121023-01550	COVER	1	1						
26	1	24341-000240	O-RING, 1AS24.0	1	1						
27	1	26106-060162	BOLT, M6X 16 PLATED	2	2						
28	1	97770-01212	GASKET, LIQUID	1	1						1

Remarks

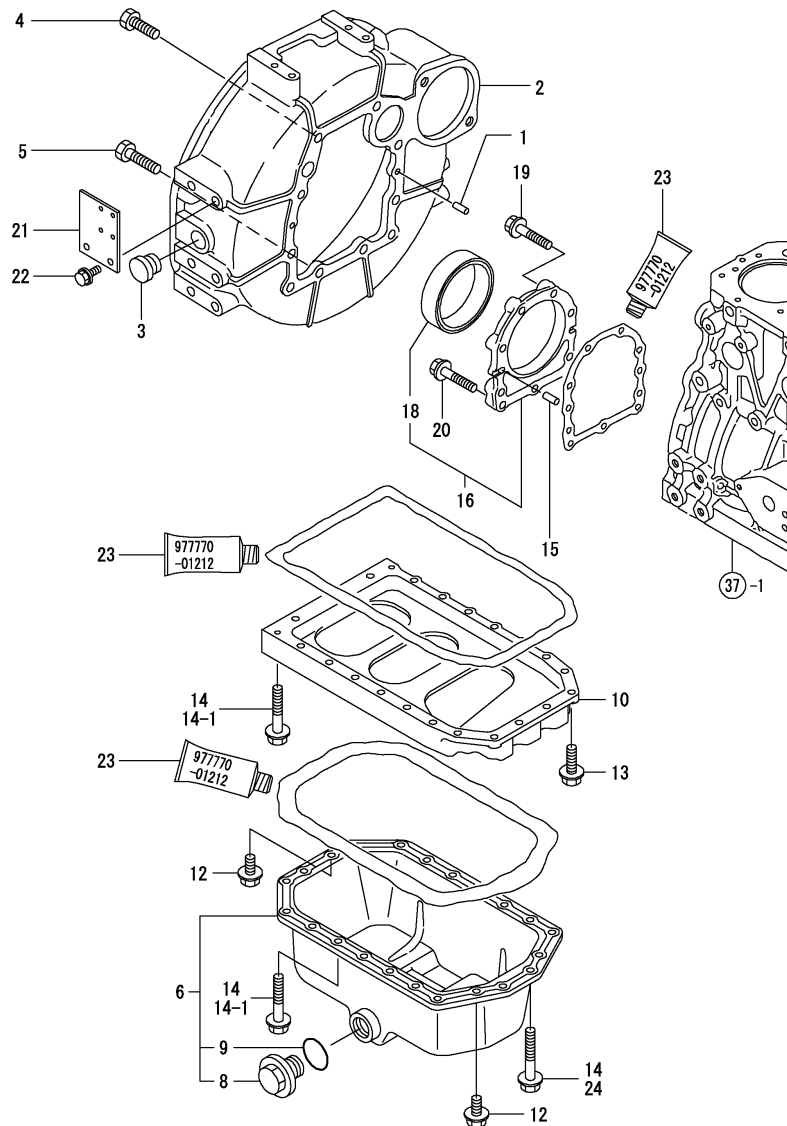
(1) OPTIONAL PART.

N:Old $\xrightarrow{\text{Yes}}$ New, Q:Old $\xrightarrow{\text{No}}$ New, R:Old $\xrightarrow{\text{Yes}}$ New, S:Old $\xrightarrow{\text{No}}$ New, W:Add, Z:Discontinued, F:Interchangeable by set, K:Q'ty Change

Fig.39. FLYWHEEL HOUSING & OIL SUMP

(A)=3TNE84-GB2
(B)=3TNE84-GB2S
(C)=

(D)=
(E)=
(F)=



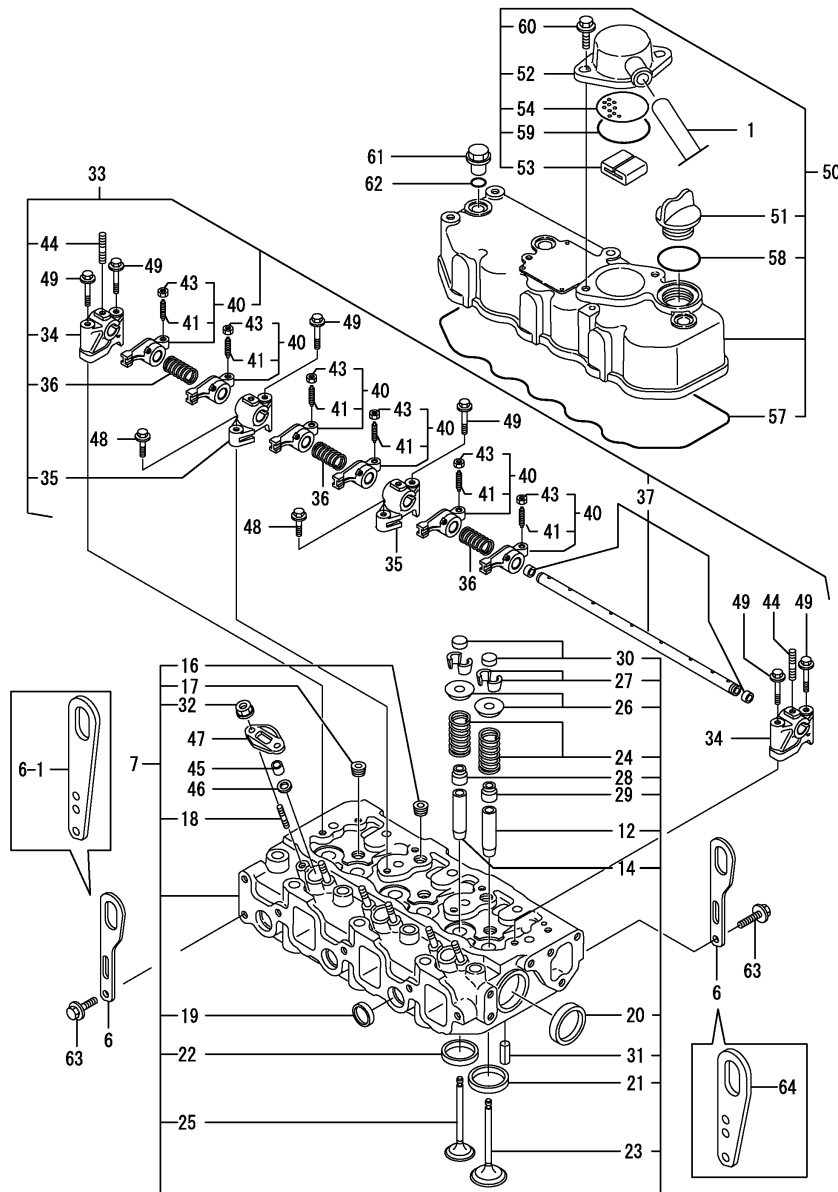
No.	Lev.	Parts No.	Description	Q'ty						I	R
				(A)	(B)	(C)	(D)	(E)	(F)		
1	1	129100-01580	PIN, M8X16	2	2						
2	1	129612-01600	HOUSING, FLYWHEEL	1	1						
3	1	119620-01750	CAP	1	1						
4	1	26206-100252	BOLT, M10X 25 PLATED	6	6						
5	1	26206-100302	BOLT, M10X 30 PLATED	4	4						
6	1	129100-01760	SUMP ASSY, OIL	1	1						
8	2	171301-01640	PLUG, 22	1	1						
9	2	24341-000250	O-RING, 1AS25.0	1	1						
10	1	129100-01730	SPACER, OIL SUMP	1	1						
12	1	26106-080162	BOLT, M8X 16 PLATED	4	4						
13	1	26106-080252	BOLT, M8X 25 PLATED	2	2						
14	1	26106-080452	BOLT, M8X 45 PLATED	20	20						
14-1	1	26106-080452	BOLT, M8X 45 PLATED	16	16						K
		(A=FROM 1ST) (B=FROM 1ST)									
15	1	129100-01580	PIN, M8X16	2	2						
16	1	129100-01640	CASE ASSY, OIL SEAL	1	1						
18	2	129795-01780	SEAL, OIL	1	1						
19	1	129486-01670	BOLT, M8X30	6	6						
20	1	26106-080352	BOLT, M8X 35 PLATED	3	3						
21	1	129111-67010	SUPPORT, WIRE	1	1						
22	1	26106-080162	BOLT, M8X 16 PLATED	2	2						
23	1	977770-01212	GASKET, LIQUID	1	1						
24	1	26106-080502	BOLT, M8X 50 PLATED	4	4						W
		(A=FROM 1ST) (B=FROM 1ST)									

Remarks
(1) OPTIONAL PART.

Fig.40. CYLINDER HEAD & BONNET

(A)=3TNE84-GB2
(B)=3TNE84-GB2S
(C)=

(D)=
(E)=
(F)=



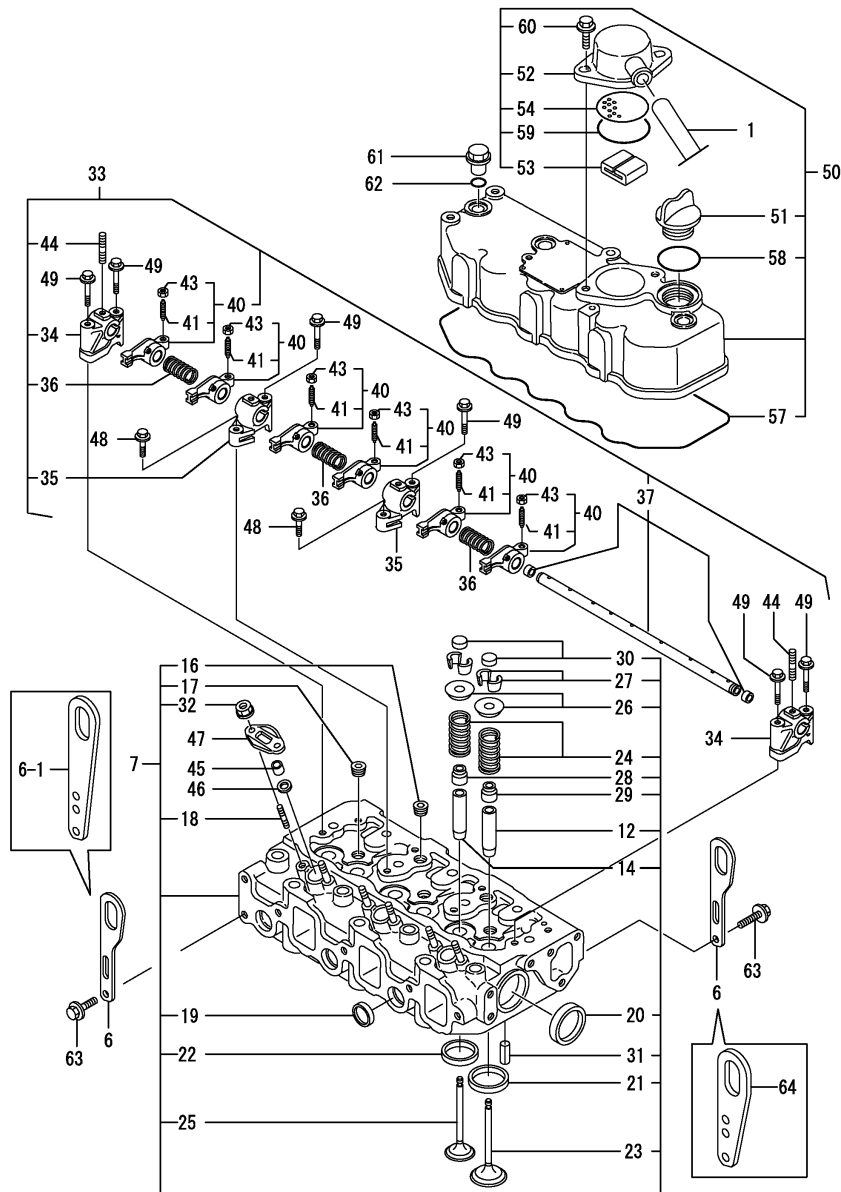
No.	Lev.	Parts No.	Description	Q'ty						I	R
				(A)	(B)	(C)	(D)	(E)	(F)		
1	1	171350-03090	PIPE , BREATHER 900	1	1						
6	1	124736-07900	LIFTER	2	2						
6-1	1	129900-07900	LIFTER	1	1						N
				(A)*2009.08	(B)*2009.08						
7	1	729202-11710	HEAD ASSY, CYLINDER	1	1						
12	2	120130-11860	GUIDE, VALVE	3	3						1
14	2	129150-11810	GUIDE, VALVE	3	3						1
16	2	23871-020000	PLUG, R02	2	2						
17	2	23871-030000	PLUG, R03	3	3						
18	2	26216-060202	STUD, M6X 20	6	6						
19	2	27241-220000	PLUG, 22	3	3						
20	2	27241-400000	PLUG, 40	2	2						
21	2	129470-11080	SEAT, INTAKE VALVE	3	3						
22	2	129470-11090	SEAT, EXHAUST VALVE	3	3						
23	2	129100-11100	VALVE, INTAKE	3	3						
24	2	129795-11120	SPRING, VALVE	6	6						
25	2	129100-11130	VALVE, EXHAUST	3	3						
26	2	129795-11180	RETAINER, SPRING	6	6						
27	2	27310-080001	COTTER, 8	6	6						
28	2	121400-11340	SEAL, VALVE STEM	3	3						
29	2	124460-11340	SEAL, VALVE STEM	3	3						
30	2	129150-11370	CAP, VALVE	6	6						
31	2	22351-060012	PIN, SPRING 6.0X12	2	2						
32	2	26366-060002	NUT, M6	6	6						
33	1	129155-11241	SHAFT ASSY, ROCKER	1	1						
34	2	129155-11260	SUPPORT, ROCKER ARM	2	2						
35	2	129155-11270	SUPPORT, ROCKER ARM	2	2						
36	2	129150-11280	SPRING	3	3						
37	2	129150-11290	SHAFT, ROCKER ARM	1	1						
40	2	729402-11650	ARM ASSY, ROCKER	6	6						
41	3	129150-11230	SCREW, VALVE ADJUST	6	6						
43	3	129150-11750	NUT, M8	6	6						
44	2	26226-080182	STUD, M8X 18	3	3						
45	1	119625-11870	PROTECTOR, NOZZLE	3	3						
46	1	119625-11880	SEAT, NOZZLE	3	3						
47	1	119625-11900	RETAINER, NOZZLE	3	3						
48	1	26106-080252	BOLT, M8X 25 PLATED	2	2						
49	1	26106-080502	BOLT, M8X 50 PLATED	6	6						
50	1	129100-11350	BONNET ASSY, HEAD	1	1						
51	2	124160-01751	COVER, FILLER	1	1						
52	2	129150-03020	COVER, BREATHER	1	1						
53	2	129150-03070	BAFFLE, BREATHER	1	1						
54	2	129150-03080	PLATE, BAFFLE	1	1						
57	2	129150-11310	GASKET, BONNET	1	1						
58	2	24311-000320	O-RING, 1AP32.0	1	1						
59	2	24341-000500	O-RING, 1AS50.0	1	1						
60	2	26106-080162	BOLT, M8X 16 PLATED	2	2						
61	1	124160-11360	KNOB	3	3						
62	1	24311-000120	O-RING, 1AP12.0	3	3						
63	1	26106-080142	BOLT, M8X 14 PLATED	4	4						
64	1	119226-07900	LIFTER	1	1						W

Remarks
(1) REPAIR PART.

Fig.40. CYLINDER HEAD & BONNET

(A)=3TNE84-GB2
 (B)=3TNE84-GB2S
 (C)=

(D)=
 (E)=
 (F)=

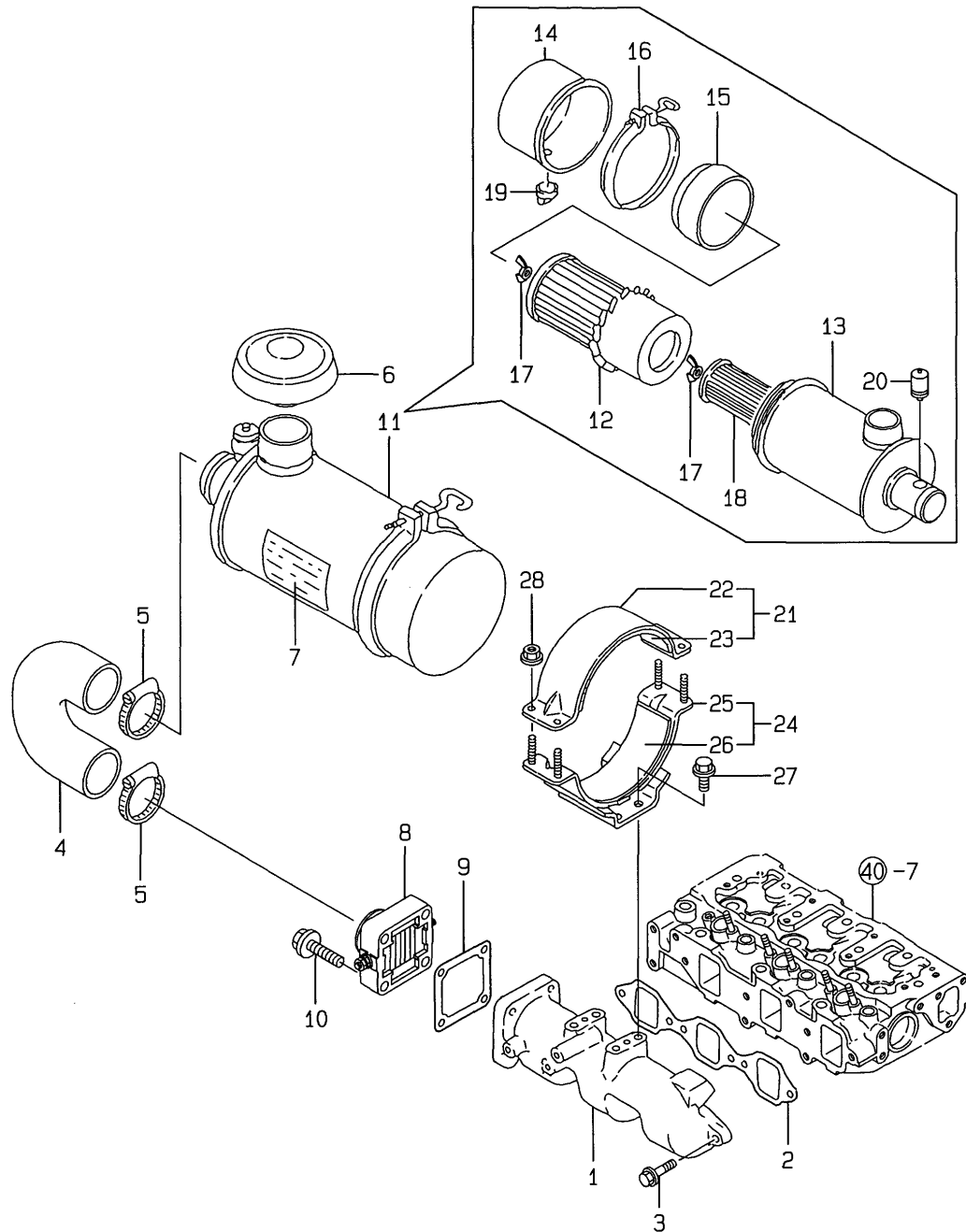


No.	Lev.	Parts No.	Description	Q'ty						I	R
				(A)	(B)	(C)	(D)	(E)	(F)		
		(A=*2009.06)	(B=*2009.06)								

Remarks
 (1) REPAIR PART.

Fig.41. SUCTION MANIFOLD & AIR CLEANER

41. SUCTION MANIFOLD & AIR CLEANER



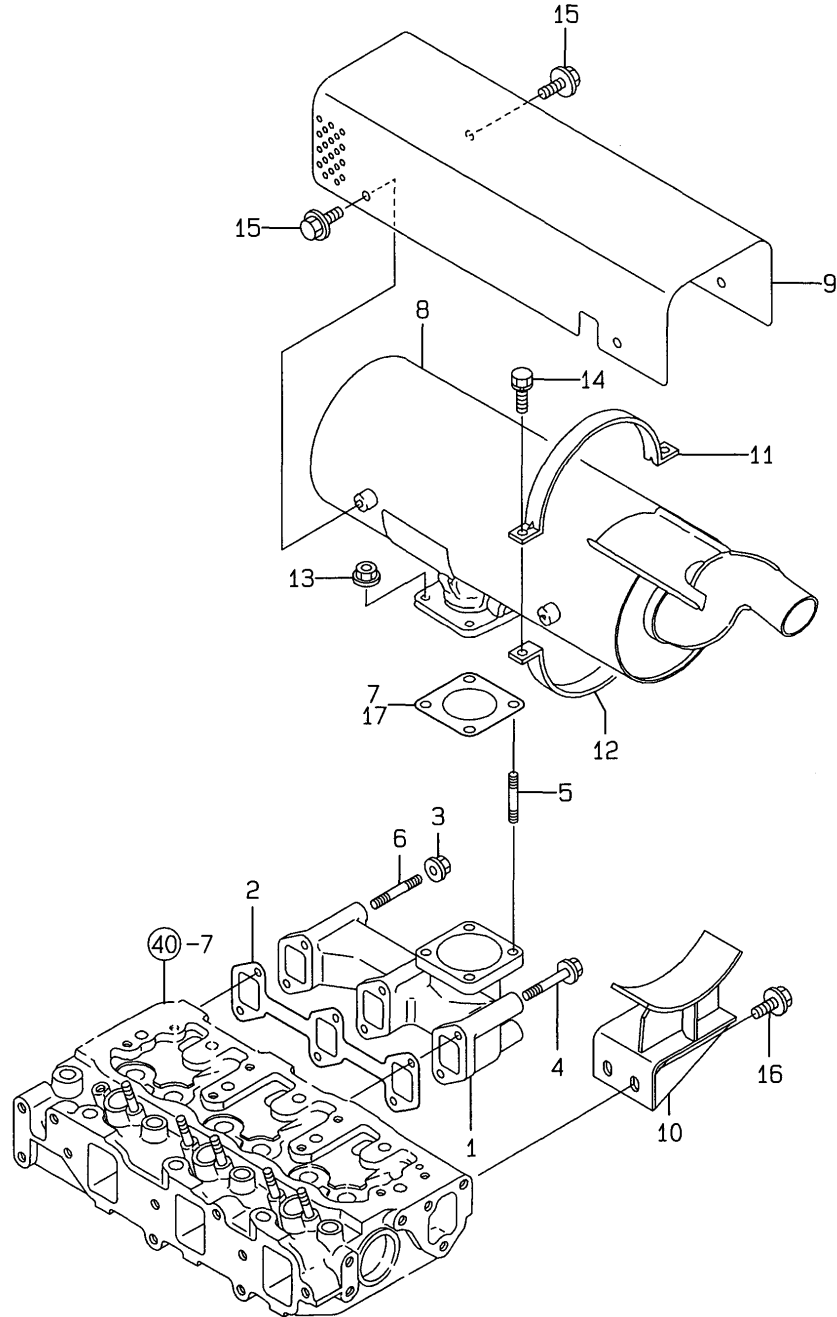
(A)=3TNE84-GB2
(B)=3TNE84-GB2S
(C)=

(D)=
(E)=
(F)=

No.	Lev.	Parts No.	Description	Q'ty						I	R
				(A)	(B)	(C)	(D)	(E)	(F)		
1	1	129122-12100	MANIFOLD, AIR INTAKE	1	1						
2	1	129150-12111	GASKET, MANIFOLD	1	1						
3	1	26106-080252	BOLT, M8X 25 PLATED	4	4						
4	1	171351-12210	PIPE, AIR INTAKE	1	1						
5	1	23000-060000	CLAMP, 60	2	1						
6	1	121521-12400	CAP, RAIN	1							
7	1	171064-12600	LABEL, AIR CLEANER	1	1						
8	1	129120-77501	HEATER	1	1						
9	1	129150-77511	GASKET	1	1						
10	1	26106-080352	BOLT, M8X 35 PLATED	4	4						
11	1	121521-12500	CLEANER ASSY, AIR	1	1						
12	2	121420-12511	ELEMENT	1	1						
13	2	171061-12520	BODY ASSY	1	1						
14	2	121422-12530	CUP	1	1						
15	2	121420-12540	SCARF, BAFFLE	1	1						
16	2	121420-12550	CLAMP ASSY	1	1						
17	2	121420-12561	NUT, WING	2	2						
18	2	121422-12570	ELEMENT	1	1						
19	2	121422-12580	VALVE, UNLOADER	1	1						
20	2	126650-12680	INDICATOR	1	1						
21	1	121400-12540	BAND ASSY, CLEANER	1	1						
22	2	121400-12560	BAND, AIR CLEANER	1	1						
23	2	121400-12570	SEAT, RUBBER B	1	1						
24	1	171351-12580	SUPPORT ASSY, CLEANER	1	1						
25	2	171351-12560	SUPPORT, AIR CLEANER	1	1						
26	2	171351-12570	SEAT, RUBBER	1	1						
27	1	26106-080142	BOLT, M8X 14 PLATED	4	4						
28	1	26366-060002	NUT, M6	4	4						

Fig.42. EXHAUST MANIFOLD & SILENCER

42.EXHAUST MANIFOLD & SILENCER



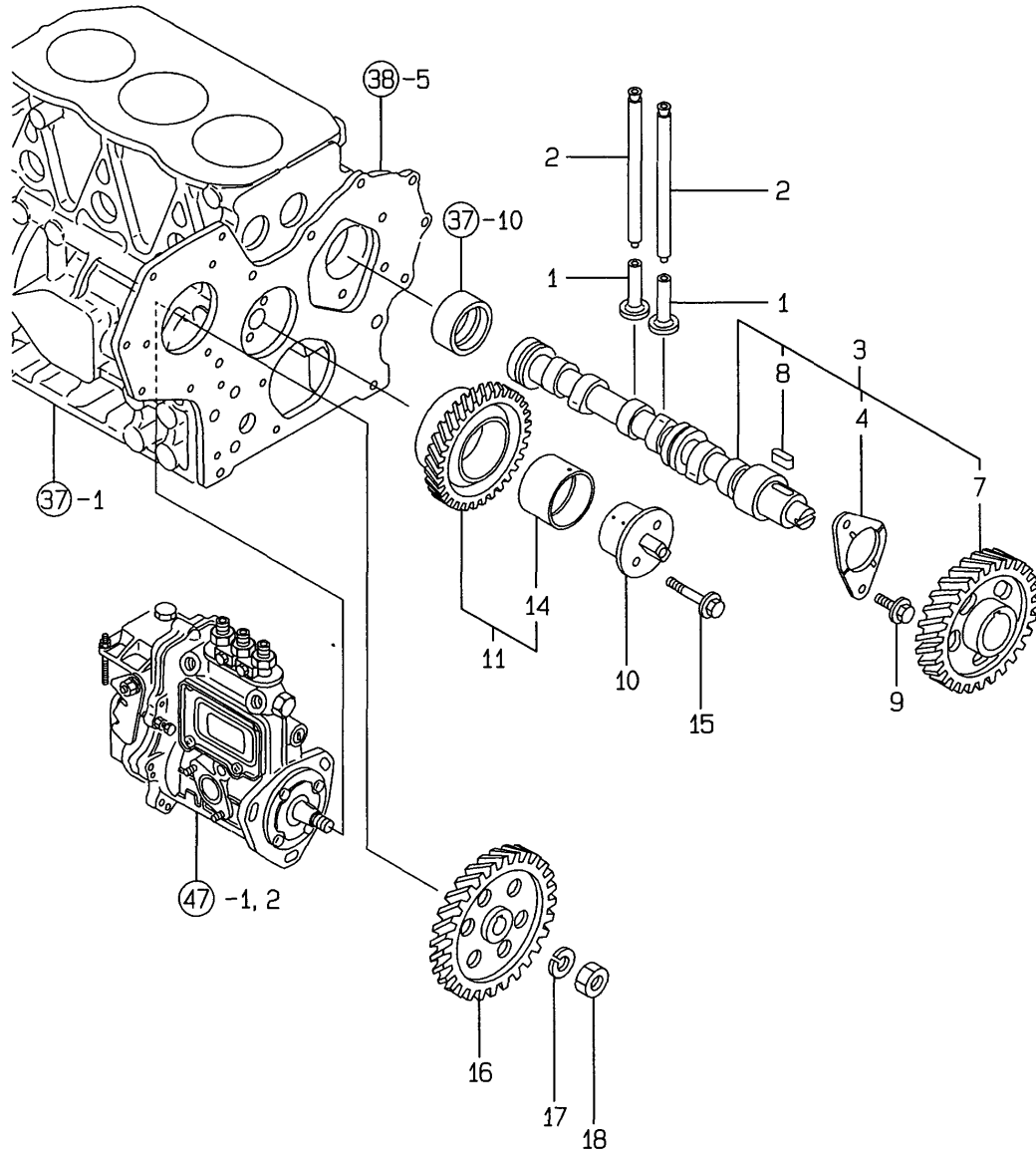
(A)=3TNE84-GB2
(B)=3TNE84-GB2S
(C)=

(D)=
(E)=
(F)=

No.	Lev.	Parts No.	Description	Q'ty						I	R
				(A)	(B)	(C)	(D)	(E)	(F)		
1	1	171350-13100	MANIFOLD, EXHAUST	1	1						
2	1	129150-13110	GASKET	1	1						
3	1	26366-080002	NUT, M8	2	2						
4	1	26106-080802	BOLT, M8X 80 PLATED	4	4						
5	1	119131-18320	STUD, M8X22	4	4						
6	1	26216-080802	STUD, M8X 80	2	2						
7	1	124701-11911	GASKET, SILENCER	1							
8	1	129111-13500	SILENCER	1							
9	1	129111-13600	COVER, SILENCER	1							
10	1	129111-13650	STAY, SILENCER	1							
11	1	129111-13670	BAND, SILENCER	1							
12	1	129111-13680	BAND, SILENCER	1							
13	1	26366-080002	NUT, M8	4							
14	1	26014-080302	BOLT, M8X 30	2							
15	1	26106-080122	BOLT, M8X 12 PLATED	4							
16	1	26106-080142	BOLT, M8X 14 PLATED	2							
17	1	124701-11911	GASKET, SILENCER			1					

Fig.43. CAMSHAFT & DRIVING GEAR

43.CAMSHAFT & DRIVING GEAR



(A)=3TNE84-GB2
(B)=3TNE84-GB2S
(C)=

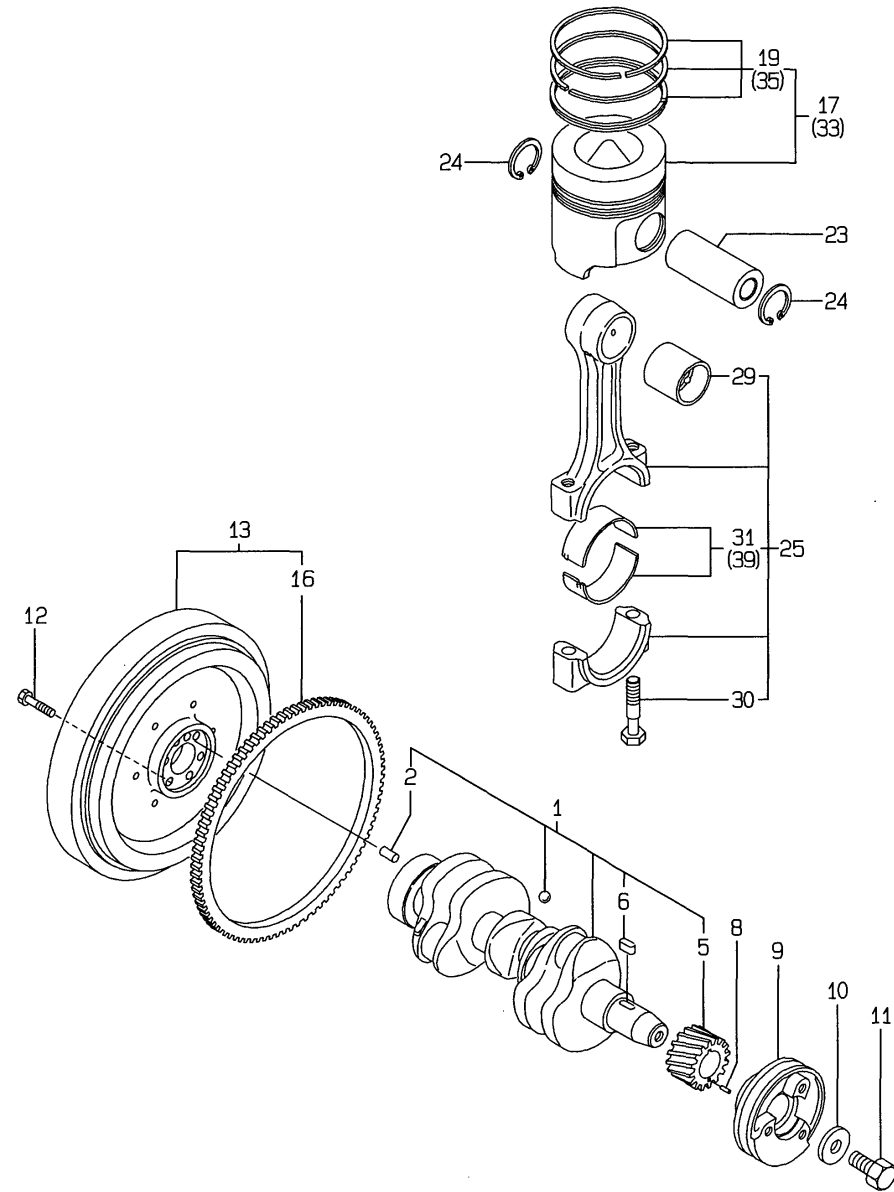
(D)=
(E)=
(F)=

No.	Lev.	Parts No.	Description	Q'ty						I	R
				(A)	(B)	(C)	(D)	(E)	(F)		
1	1	129150-14200	TAPPET	6	6						
2	1	129150-14400	ROD, PUSH L=178	6	6						
3	1	129129-14580	CAMSHAFT ASSY	1	1						
4	2	129150-02450	BEARING, THRUST	1	1						
7	2	129150-14101	GEAR, CAMSHAFT	1	1						
8	2	22512-070140	KEY, 7X 14	1	1						
9	1	26106-080142	BOLT, M8X 14 PLATED	2	2						
10	1	129100-25061	SHAFT, IDLE	1	1						
11	1	129150-25101	GEAR ASSY, IDLE	1	1						
14	2	129150-25920	BUSH, IDLE GEAR	1	1						1
15	1	26106-080452	BOLT, M8X 45 PLATED	2	2						
16	1	129100-25900	GEAR, PUMP	1	1						
17	1	22217-120000	WASHER, SPRING 12	1	1						
18	1	26716-120002	NUT, M12	1	1						

Remarks
(1) REPAIR PART.

Fig.44. CRANKSHAFT & PISTON

44. CRANKSHAFT & PISTON



(A)=3TNE84-GB2
(B)=3TNE84-GB2S
(C)=

(D)=
(E)=
(F)=

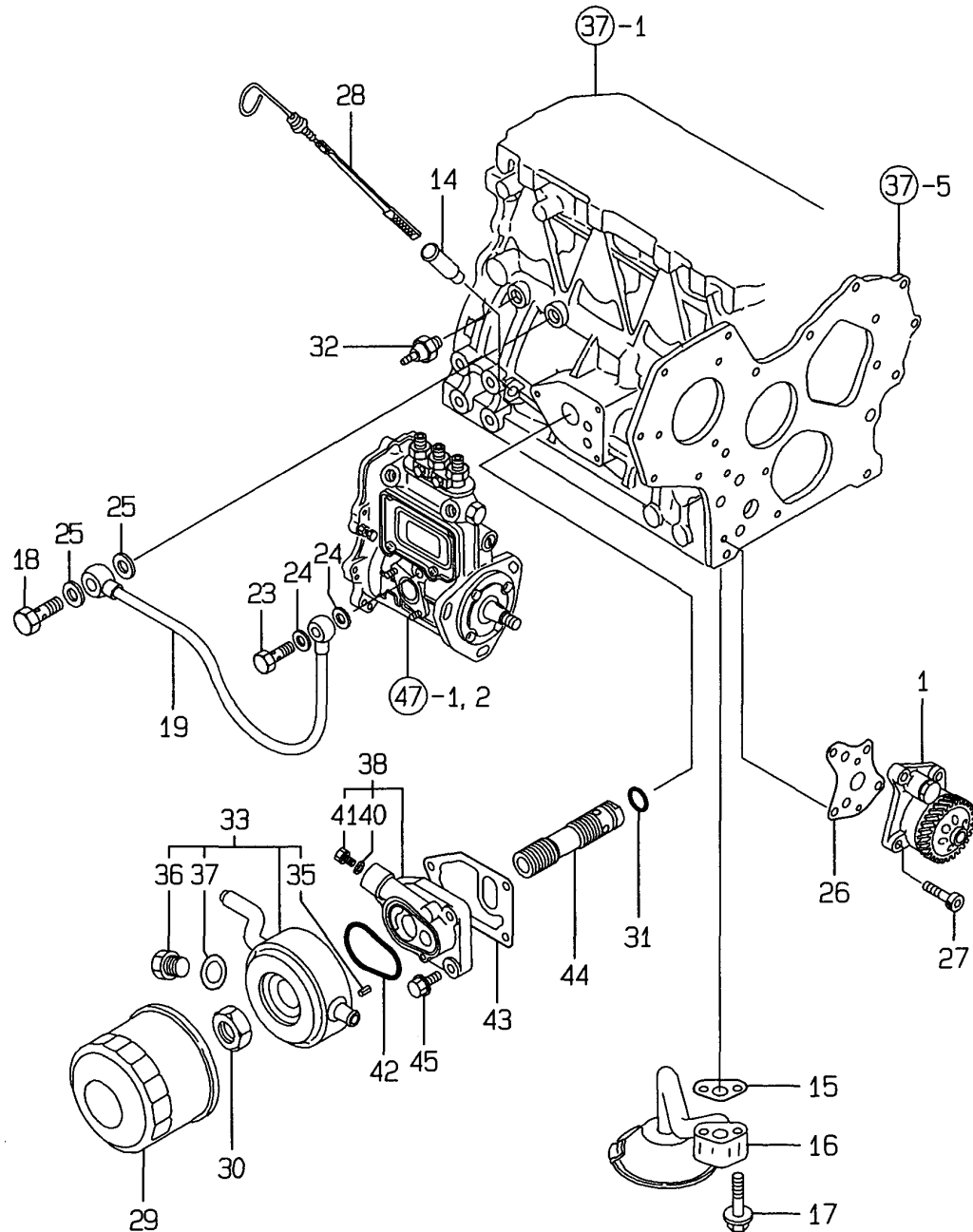
No.	Lev.	Parts No.	Description	Q'ty						I	R
				(A)	(B)	(C)	(D)	(E)	(F)		
1	1	129001-21000	CRANKSHAFT ASSY	1	1						
2	2	129100-01580	PIN, M8X16	1	1						
5	2	129150-21200	GEAR, CRANKSHAFT	1	1						
6	2	22512-070140	KEY, 7X 14	1	1						
8	1	22351-040010	PIN, SPRING 4.0X10	1	1						
9	1	171340-21650	V-PULLEY	1	1						
10	1	129795-21661	WASHER	1	1						
11	1	121850-21680	BOLT	1	1						
12	1	121111-21501	BOLT, FLYWHEEL	6	6						
13	1	171340-21580	FLYWHEEL ASSY	1	1						
16	2	119865-21600	GEAR, RING	1	1						
17	1	129002-22090	PISTON ASSY	3	3						
19	2	129002-22510	RING SET, PISTON	3	3						
23	1	129202-22300	PIN, PISTON D26 L70	3	3						
24	1	22252-000260	RING, 26	6	6						
25	1	729402-23100	ROD ASSY, CONNECTING	3	3						
29	2	129100-23910	BEARING, PISTON PIN	3	3						1
30	2	121550-23200	BOLT, CONNECTING ROD	6	6						
31	2	129150-23600	BEARING, CRANK PIN	3	3						
33	1	129002-22900	PISTON ASSY, 0.25 OS	3	3						2
35	2	129002-22950	RING SET, 0.25 OS	3	3						2
39	1	129150-23610	BEARING, 0.25 US	3	3						3

Remarks

- (1) REPAIR PART.
- (2) OVER-SIZE(O.S=0.25)PART.
- (3) UNDER-SIZE(U.S=0.25)PART.

Fig.45. LUB. OIL SYSTEM

45.LUB.OIL SYSTEM



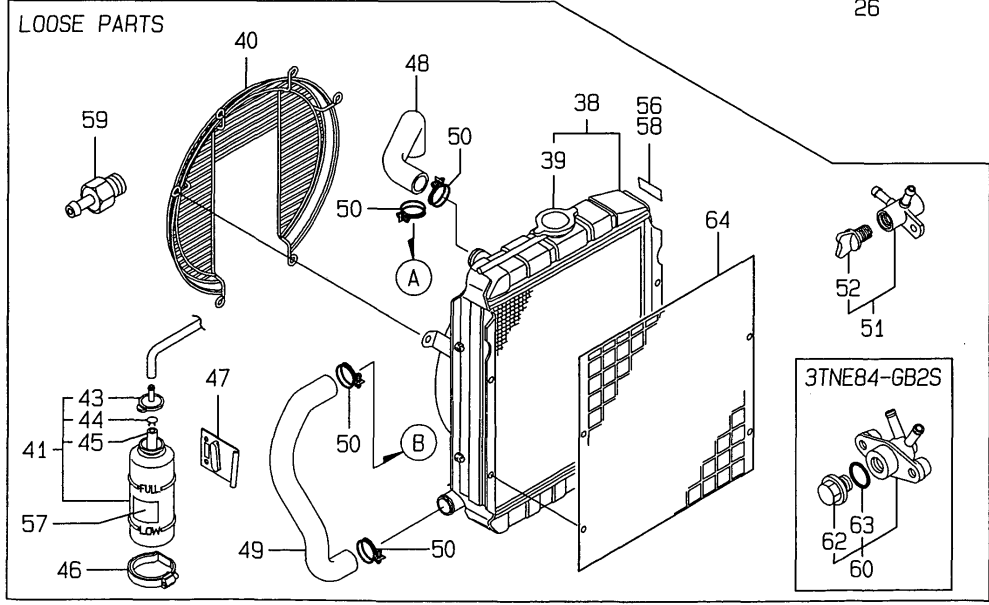
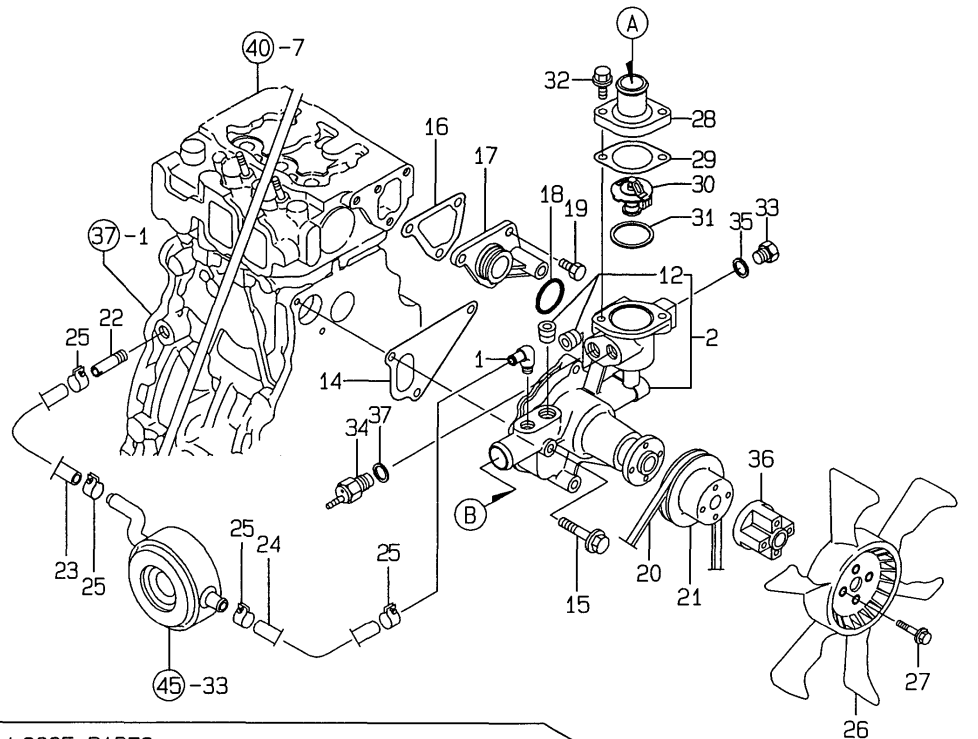
(A)=3TNE84-GB2
(B)=3TNE84-GB2S
(C)=

(D)=
(E)=
(F)=

No.	Lev.	Parts No.	Description	Q'ty						I	R
				(A)	(B)	(C)	(D)	(E)	(F)		
1	1	129001-32001	PUMP ASSY, OIL	1	1						
14	1	121520-34810	GUIDE, DIPSTICK	1	1						
15	1	129150-35041	GASKET	1	1						
16	1	129100-35301	PIPE ASSY, OIL INLET	1	1						
17	1	26106-080352	BOLT, M8X 35 PLATED	2	2						
18	1	124160-39140	BOLT, PIPE JOINT M10	1	1						
19	1	129150-39450	PIPE ASSY, OIL	1	1						
23	1	124550-59820	BOLT, PIPE JOINT M8	1	1						
24	1	23414-080000	GASKET, 8X1.0	2	2						
25	1	23414-100000	GASKET, 10X1.0	2	2						
26	1	129150-32020	GASKET, PUMP	1	1						
27	1	26450-060252	BOLT, M6X 25	4	4						
28	1	171420-34820	DIPSTICK, OIL	1	1						
29	1	129150-35151	FILTER, D80XL80	1	1						
30	1	129150-35350	NUT	1	1						
31	1	24311-000160	O-RING, 1AP16.0	1	1						
32	1	124160-39450	SWITCH, 0.5KG	1	1						
33	1	129012-33000	COOLER ASSY, OIL	1	1						
35	2	129120-33040	PIN	2	2						
36	2	129120-33051	PLUG, DRAIN	1	1						
37	2	129120-33060	GASKET	1	1						
38	1	129120-35001	BRACKET ASSY	1	1						
40	2	23414-100000	GASKET, 10X1.0	1	1						
41	2	23881-100002	PLUG, 10	1	1						
42	1	129120-35110	GASKET	1	1						
43	1	129120-35121	GASKET	1	1						
44	1	129407-35300	BOLT, FILTER	1	1						
45	1	26106-080252	BOLT, M8X 25 PLATED	3	3						

Fig.46. COOLING WATER SYSTEM

46.COOLING WATER SYSTEM



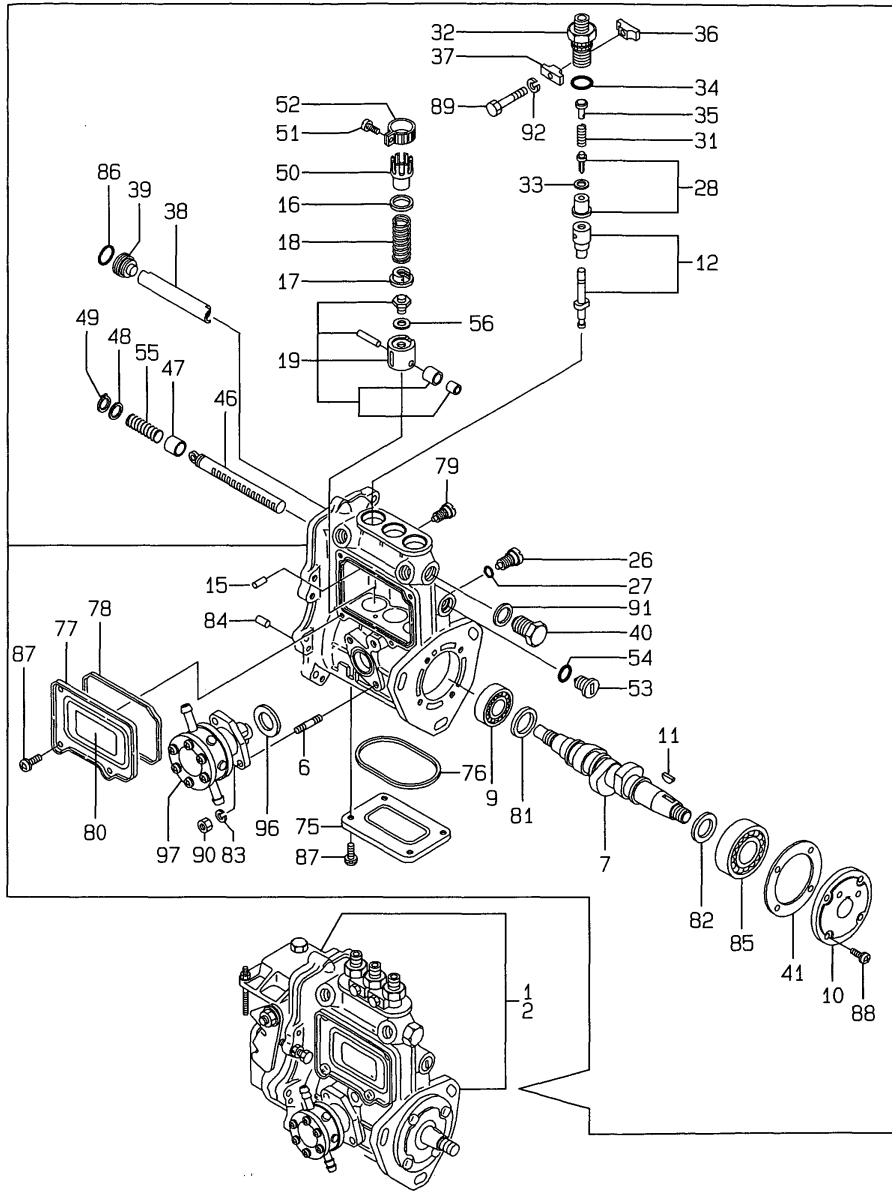
(A)=3TNE84-GB2
(B)=3TNE84-GB2S
(C)=

(D)=
(E)=
(F)=

No.	Lev.	Parts No.	Description	Q'ty						I	R
				(A)	(B)	(C)	(D)	(E)	(F)		
1	1	129103-49301	ELBOW, PT1/4	1	1						
2	1	129001-42002	PUMP ASSY, WATER	1	1						
12	2	23871-030000	PLUG, R03	2	2						
14	1	129100-42020	GASKET, WATER PUMP	1	1						
15	1	26106-080602	BOLT, M8X 60 PLATED	3	3						
16	1	129100-49840	GASKET	1	1						
17	1	129001-42040	JOINT	1	1						
18	1	24321-000300	O-RING, 1AG30.0	1	1						
19	1	26106-080162	BOLT, M8X 16 PLATED	3	3						
20	1	25132-003800	V-BELT, A38	1	1						
21	1	129403-42380	V-PULLEY, D=110	1	1						
22	1	129122-44480	JOINT	1	1						
23	1	129012-49030	HOSE, WATER	1	1						
24	1	129403-49050	PIPE, WATER	1	1						
25	1	23000-022000	CLAMP, 22	4	4						
26	1	171340-44740	FAN, COOLING D335XNF	1	1						
27	1	26106-060352	BOLT, M6X 35 PLATED	4	4						
28	1	129350-49560	COVER, THERMOSTAT	1	1						
29	1	129795-49551	GASKET	1	1						
30	1	129155-49800	THERMOSTAT, 71	1	1						
31	1	129150-49811	GASKET, THERMOSTAT	1	1						
32	1	26106-080202	BOLT, M8X 20 PLATED	2	2						
33	1	121450-42450	PLUG, M16	1	1						
34	1	121250-44901	SWITCH, 110	1	1						
35	1	124465-44950	GASKET, 16	1	1						
36	1	171353-44760	SPACER, FAN	1	1						
37	1	124465-44950	GASKET, 16	1	1						
38	1	129120-44500	RADIATOR	1	1						
39	2	123682-44210	CAP, RADIATOR	1	1						
40	1	129120-44560	PROTECTOR, FAN	1	1						
41	1	124450-44510	TANK ASSY, SUB	1	1						
43	2	124450-44530	CAP	1	1						
44	2	124450-44560	RETAINER	1	1						
45	2	23061-070230	PIPE, 7X 230	1	1						
46	1	124450-44550	BAND	1	1						
47	1	121256-44600	BRACKET, SUB TANK	1	1						
48	1	171301-49010	PIPE, WATER	1	1						
49	1	129211-49020	PIPE, WATER	1	1						
50	1	23010-038000	CLAMP, 38	4	4						
51	1	129150-49100	COCK ASSY, 3-WAY	1							
52	2	129150-49080	COCK, DRAIN	1							
56	1	124764-44800	LABEL, RADIATOR	1	1						
57	1	124764-44810	LABEL, SUB TANK	1	1						
58	1	121400-44910	LABEL, RADIATOR	1	1						
59	1	129137-49100	JOINT	1	1						
60	1	121450-49110	COCK ASSY, 3-WAY		1						
62	2	121250-49121	PLUG, DRAIN		1						
63	2	24311-000160	O-RING, 1AP16.0		1						
64	1	129111-44590	PROTECTOR		1						

Fig.47. FUEL INJECTION PUMP

47.FUEL INJECTION PUMP



(A)=3TNE84-GB2
(B)=3TNE84-GB2S
(C)=

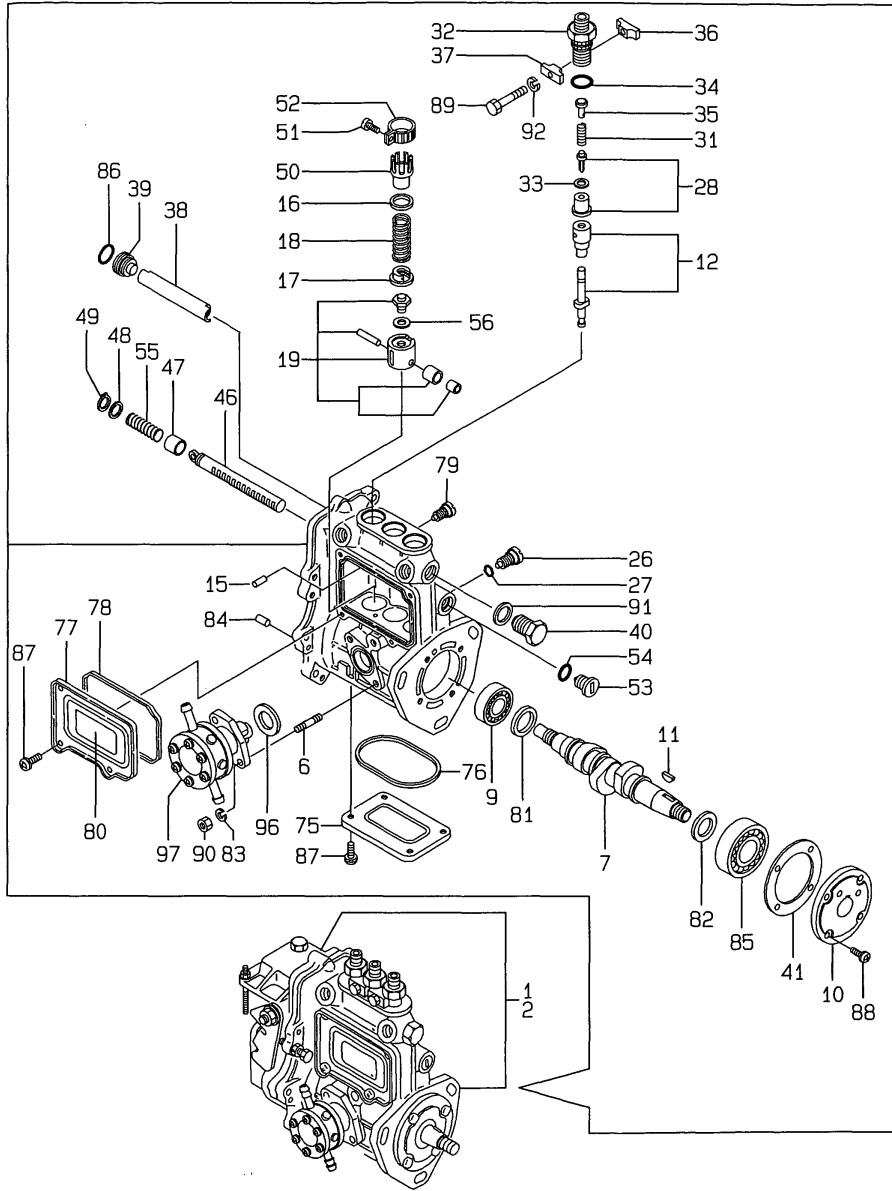
(D)=
(E)=
(F)=

No.	Lev.	Parts No.	Description	Qty						I	R
				(A)	(B)	(C)	(D)	(E)	(F)		
1	1	729002-51400	PUMP ASSY, INJECTION	1							1
2	1	729212-51400	PUMP ASSY, INJECTION		1						1
6	2	129155-51020	STUD	2	2						
7	2	119810-51040	CAMSHAFT	1	1						
9	2	129155-51050	BEARING, 17BM001D	1	1						
10	2	129155-51060	SUPPORT, CAMSHAFT	1	1						
11	2	122710-51090	KEY	1	1						
12	2	129412-51200	PLUNGER ASSY	3	3						
15	2	129155-51140	PIN	3	3						
16	2	174307-51170	RETAINER, SPRING A	3	3						
17	2	129155-51180	RETAINER, SPRING	3	3						
18	2	124950-51190	SPRING, PLUNGER	3	3						
19	2	129155-51200	TAPPET ASSY	3	3						
26	2	129155-51270	STOPPER, TAPPET	3	3						
27	2	129155-51280	O-RING, S6	3	3						
28	2	105300-51300	VALVE ASSY, DELIVERY	3	3						
31	2	129155-51320	SPRING, DELIVERY	3	3						
32	2	129155-51340	RETAINER	3	3						
33	2	124550-51350	GASKET, DELIVERY	3	3						
34	2	124550-51370	O-RING	3	3						
35	2	129155-51370	STOPPER, VALVE	3	3						
36	2	129155-51380	STOPPER	2	2						
37	2	129155-51390	STOPPER	2	2						
38	2	129155-51400	DEFLECTOR	1	1						
39	2	129155-51410	BOLT	1	1						
40	2	129155-51420	PLUG, M16	1	1						
41	2	129155-51450	SHIM SET, ADJUSTING	1	1						
46	2	129155-51500	RACK, CONTROL	1	1						
47	2	129155-51521	BUSH, RACK	1	1						
48	2	129155-51530	SPACER	1	1						
49	2	129155-51540	CIRCLIP	1	1						
50	2	129155-51550	PINION, CONTROL	3	3						
51	2	122117-51560	SCREW	3	3						
52	2	174307-51560	PINION	3	3						
53	2	129155-51570	PLUG, M12	1	1						
54	2	129155-51580	O-RING	1	1						
55	2	129155-51591	SPRING, RACK	1	1						
56	2	129155-51600	SHIM SET, ADJUSTING	3	3						
75	2	129155-51700	COVER	1	1						
76	2	129155-51710	GASKET	1	1						
77	2	129155-51750	COVER	1	1						
78	2	129155-51760	GASKET	1	1						
79	2	129155-51790	STOOPER, RACK	1	1						
80	2	129156-51910	LABEL, CAUTION	1	1						
81	2	129155-51930	SPACER, T=3.25	1	1						
82	2	129155-51940	SPACER, T=1.5	1	1						
83	2	22217-060000	WASHER, SPRING 6	2	2						
84	2	22351-050010	PIN, SPRING 5.0X10	2	2						
85	2	24101-063034	BEARING, BALL 6303	1	1						
86	2	24341-000160	O-RING, 1AS16.0	1	1						
87	2	26022-050102	SCREW, M5X10	8	8						

Remarks
(1)GOVERNOR ASSY(FIG.48)IS
INCORPORATED IN THIS FUEL
INJECTION PUMP ASSY(REF.NO.1,2).

Fig.47. FUEL INJECTION PUMP

47.FUEL INJECTION PUMP



(A)=3TNE84-GB2
(B)=3TNE84-GB2S
(C)=

(D)=
(E)=
(F)=

No.	Lev.	Parts No.	Description	Q'ty						I	R
				(A)	(B)	(C)	(D)	(E)	(F)		
88	2	26022-060162	SCREW, M6X16	4	4						
89	2	26116-050302	BOLT, M5X 30 PLATED	2	2						
90	2	26716-060002	NUT, M6	2	2						
91	2	22190-160002	WASHER, SEAL 16	1	1						
92	2	22217-050000	WASHER, SPRING 5	2	2						
96	2	129155-52050	GASKET	1	1						
97	2	129100-52100	PUMP ASSY, FUEL FEED	1	1						

Remarks

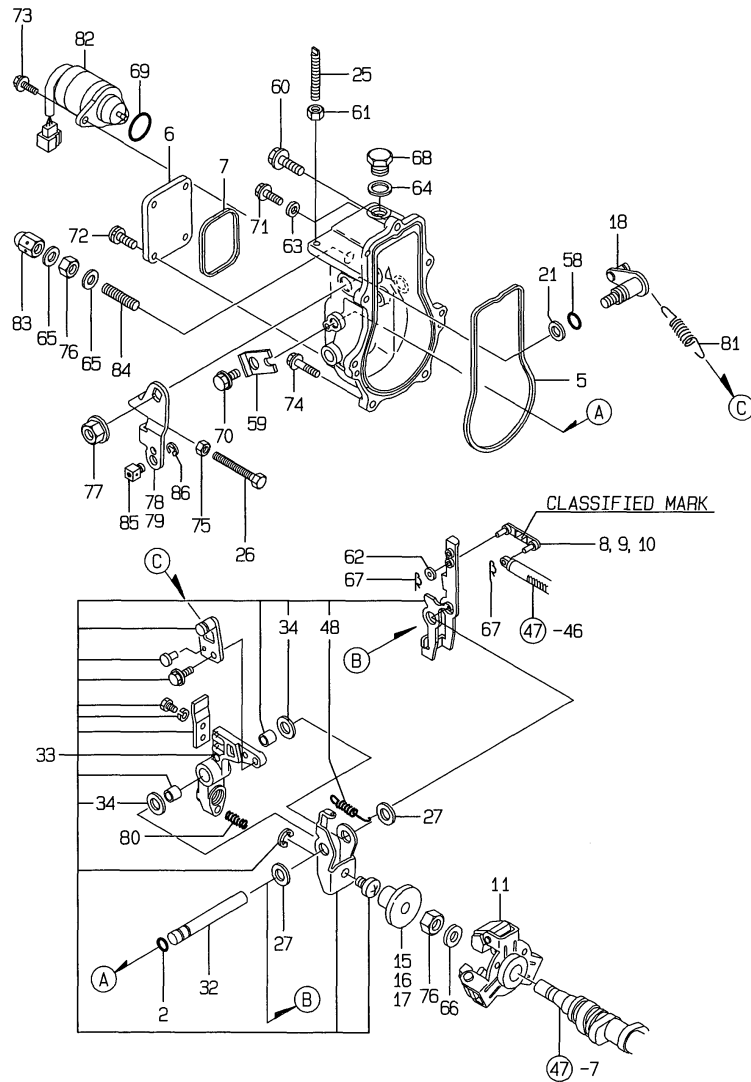
(1)GOVERNOR ASSY(FIG.48)IS
INCORPORATED IN THIS FUEL
INJECTION PUMP ASSY(REF.NO.1,2).

Fig.48. GOVERNOR

(A)=3TNE84-GB2
(B)=3TNE84-GB2S
(C)=

(D)=
(E)=
(F)=

48. GOVERNOR



No.	Lev.	Parts No.	Description	Q'ty						I	R
				(A)	(B)	(C)	(D)	(E)	(F)		
2	2	129155-51280	O-RING, S6	1	1						
5	2	129052-61050	GASKET	1	1						
6	2	129052-61060	COVER, GOVERNOR CASE	1	1						
7	2	129052-61070	GASKET	1	1						
8	2	129155-61120	LINK, L=30 MARK 0	1	1						1
9	2	129155-61130	LINK, L=31 MARK 1	1	1						1
10	2	129155-61140	LINK, L=30.5 MARK 05	1	1						1
11	2	129155-61201	WEIGHT ASSY,GOVERNOR	1	1						
15	2	129155-61341	SLEEVE	1	1						2
16	2	129155-61350	SLEEVE, L=24.9	1	1						2
17	2	129155-61360	SLEEVE, L=25.2	1	1						2
18	2	129100-61400	SHAFT ASSY	1	1						
21	2	129155-61430	SPACER	1	1						
25	2	129155-61450	BOLT, LIMITER	1	1						
26	2	129155-61460	BOLT, IDLE	1	1						
27	2	129155-61480	SPACER ASSY	2	2						
32	2	129052-61390	SHAFT	1	1						
33	2	129412-61500	LEVER ASSY, GOVERNOR	1	1						
34	3	174307-51700	SHIM SET	2	2						
48	3	119843-61540	SPRING, SET	1	1						
58	2	129155-61830	O-RING, S10	1	1						
59	2	119660-61901	RETAINER, SHAFT	1	1						
60	2	129155-61950	BOLT	1	1						
61	2	124550-66370	NUT, M6	1	1						
62	2	22117-040000	WASHER, 4	1	1						
63	2	22190-060003	SEAL WASER 6	1	1						
64	2	22190-100002	WASHER, SEAL 10	1	1						
65	2	22190-120002	WASHER, SEAL 12	2	2						
66	2	22287-120000	WASHER, 12	1	1						
67	2	22372-040000	PIN, SNAP 4	2	2						
68	2	23887-100002	PLUG, 10	1	1						
69	2	24341-000280	O-RING, 1AS28.0	1	1						
69-1	2	158552-61900	O-RING	1	1						N
(A=EXXXXX) (B=EXXXXX)											
70	2	26106-060102	BOLT, M6X 10 PLATED	1	1						
71	2	26106-060102	BOLT, M6X 10 PLATED	1	1						
72	2	26106-060102	BOLT, M6X 10 PLATED	4	4						
73	2	26106-060142	BOLT, M6X 14 PLATED	2	2						
74	2	26106-060202	BOLT, M6X 20 PLATED	6	6						
75	2	26756-060002	NUT, LOCK M6	1	1						
76	2	26776-120002	NUT, LOCK M12	2	2						
77	1	26366-080002	NUT, M8	1	1						
78	1	171488-61440	LEVER, CONTROL	1							
79	1	129100-61440	LEVER, CONTROL		1						
80	1	129500-61650	SPRING, FUEL CONTROL	1	1						
81	1	129500-61700	SPRING, GOVERNOR	1	1						
82	1	119653-77950	SOLENOID, STOP	1	1						
83	1	26687-120002	NUT, CAP M12	1	1						
84	1	129155-61470	BOLT, CONTROL	1	1						
85	1	124756-67510	RETAINER	1	1						
86	1	22272-000070	RING, E- 7	1	1						

Remarks

(1) SELECTIVE PARTS: CERTAIN THE CLASSIFICATION MARK, THEN PLACE YOUR ORDER.(REFER TO ILLUSTRATION).

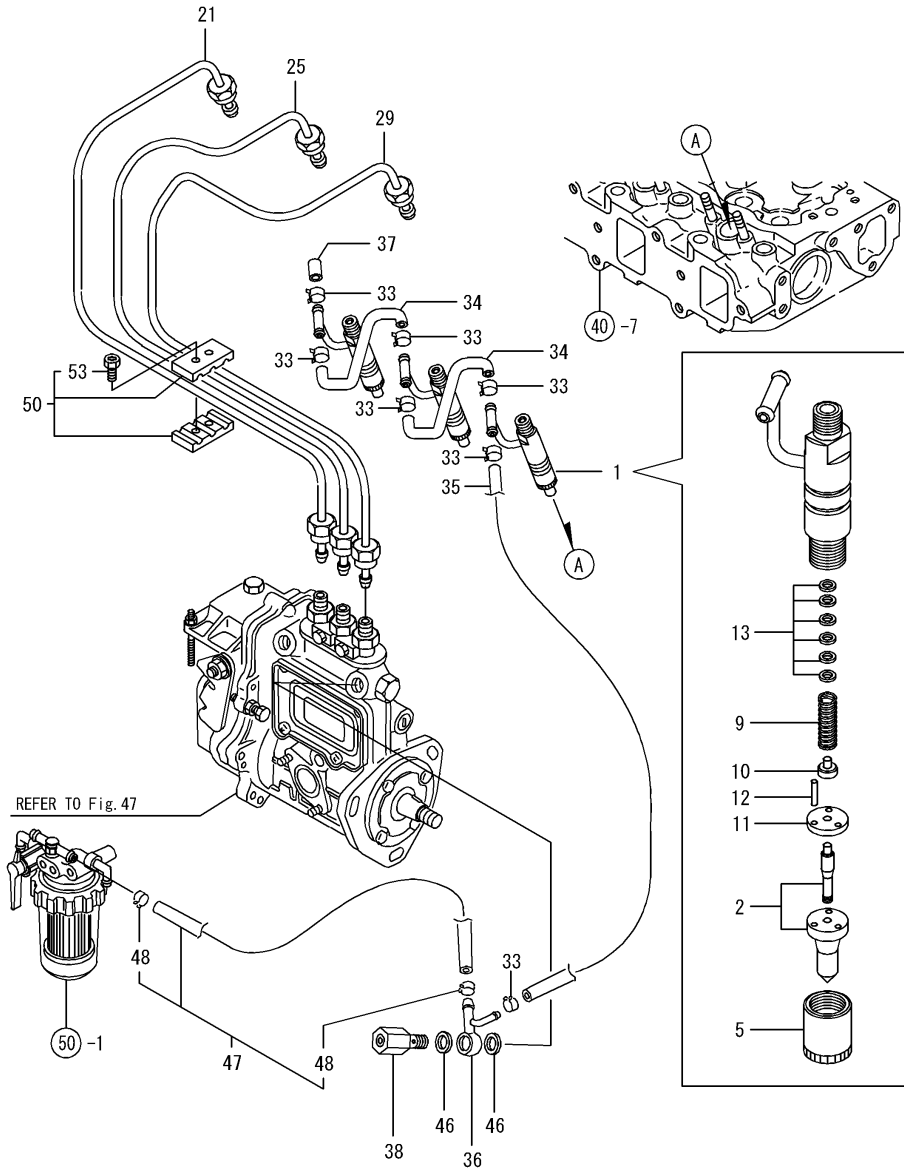
(2) SELECTIVE PARTS.

* THIS FIGURE(GOVERNOR ASSY) IS INCORPORATED IN THE FUEL INJECTION PUMP ASSY(FIG.47).

Fig.49. FUEL INJECTION VALVE

(A)=3TNE84-GB2
(B)=3TNE84-GB2S
(C)=

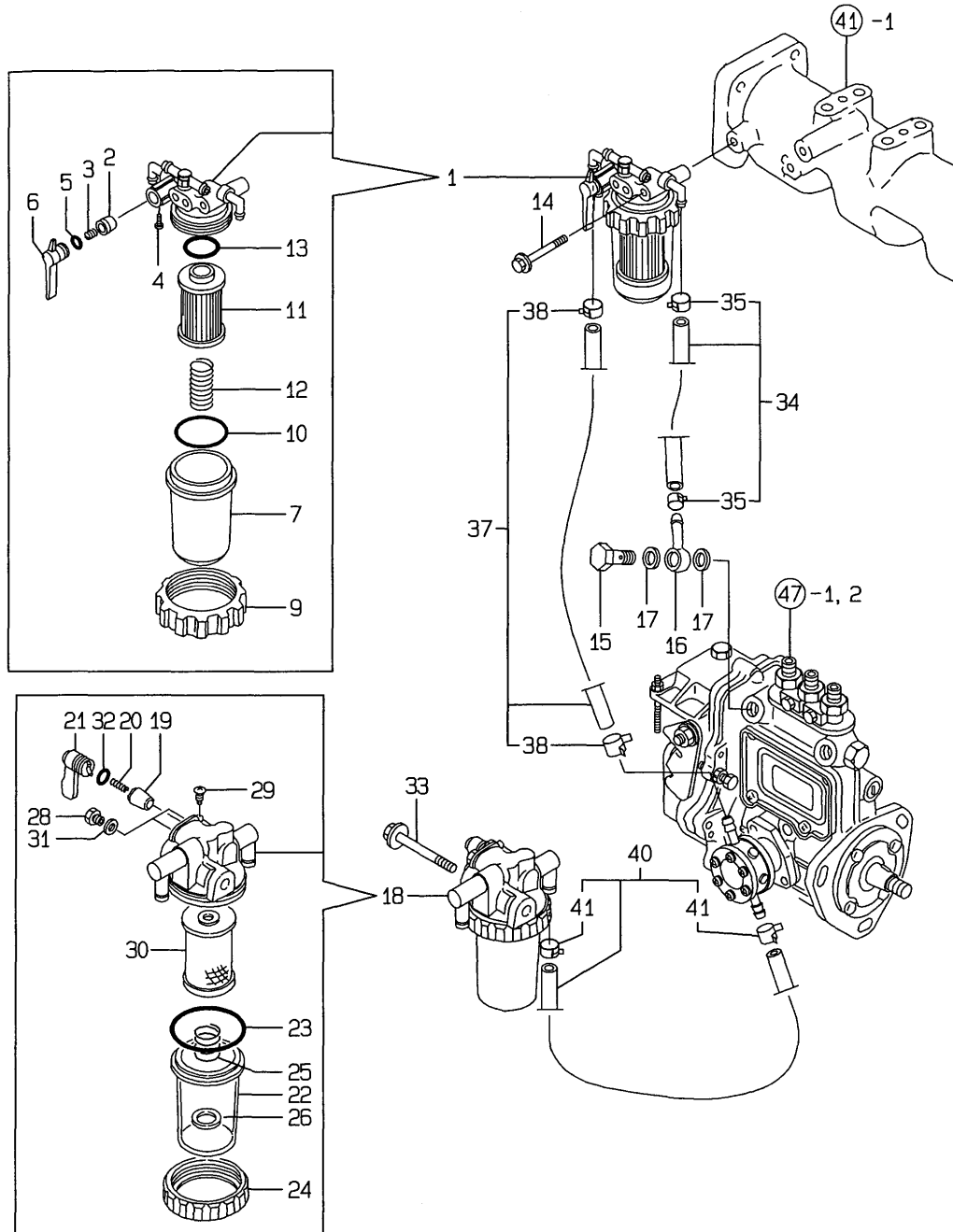
(D)=
(E)=
(F)=



No.	Lev.	Parts No.	Description	Q'ty						I	R
				(A)	(B)	(C)	(D)	(E)	(F)		
1	1	729100-53100	VALVE ASSY,INJECTION	3	3						
2	2	129100-53000	VALVE ASSY,INJECTION	3	3						
5	2	114250-53080	NUT, NOZZLE D16.95	3	3						
9	2	114250-53120	SPRING, NOZZLE	3	3						
10	2	114250-53130	SEAT, SPRING	3	3						
11	2	114250-53140	PLATE	3	3						
12	2	114250-53210	PIN	6	6						
13	2	114250-53400	SHIM SET	3	3						
21	1	129100-59811	PIPE ASSY, INJECTION	1	1						
25	1	129100-59821	PIPE ASSY, INJECTION	1	1						
29	1	129100-59831	PIPE ASSY, INJECTION	1	1						
33	1	124066-59100	CLIP, HOSE 8	7	7						
34	1	121250-59550	PIPE, FUEL D8X120	2	2						
35	1	119840-59560	PIPE, FUEL RETURN	1	1						
36	1	119840-59570	JOINT	1	1						
37	1	129150-59580	CAP	1	1						
38	1	129100-59951	VALVE ASSY, CHECK	1	1						
46	1	23414-120000	GASKET, 12X1.0	2	2						
47	1	129210-59130	PIPE ASSY, FUEL	1	1						
48	2	124766-59050	CLIP, HOSE 12	2	2						
50	1	129150-59120	RETAINER, PIPE	1	1						
53	2	129150-59131	BOLT, M4X14	2	2						

Fig.50. FUEL LINE

50.FUEL LINE



(A)=3TNE84-GB2
(B)=3TNE84-GB2S
(C)=

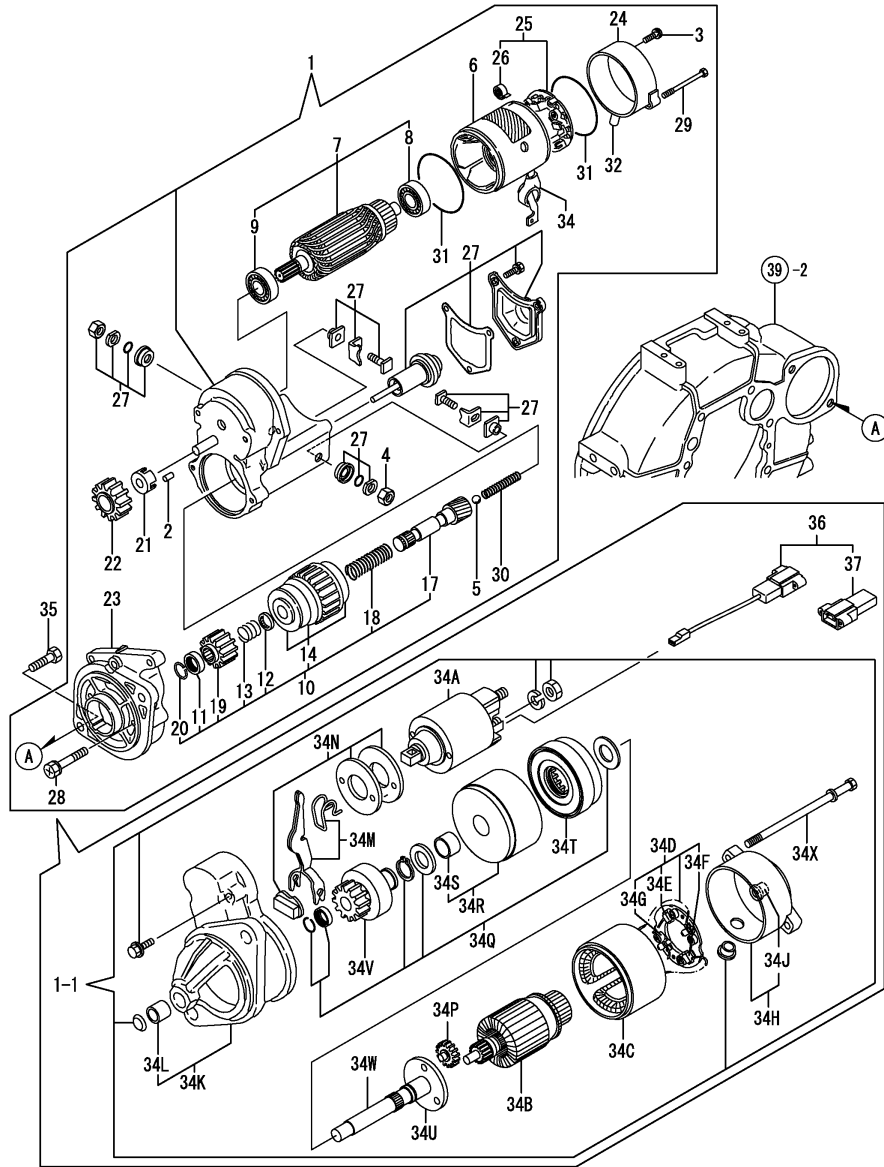
(D)=
(E)=
(F)=

No.	Lev.	Parts No.	Description	Q'ty						I	R
				(A)	(B)	(C)	(D)	(E)	(F)		
1	1	129052-55620	FILTER ASSY, FUEL	1	1						
2	2	104200-55321	VALVE, TAPER	1	1						
3	2	104200-55330	SPRING, VALVE	1	1						
4	2	104200-55750	SCREW, M4	1	1						
5	2	24311-240100	O-RING, 1AP10A	1	1						
6	2	129100-55670	LEVER	1	1						
7	2	129100-55680	CUP, STRAINER	1	1						
9	2	129100-55690	RING, RETAINING	1	1						
10	2	24321-000650	O-RING, 1AG65.0	1	1						
11	2	129100-55650	ELEMENT	1	1						
12	2	129100-55700	SPRING	1	1						
13	2	24311-000160	O-RING, 1AP16.0	1	1						
14	1	26014-080702	BOLT, M8X 70	1	1						
15	1	103854-39140	BOLT, PIPE JOINT	1	1						
16	1	101304-59020	JOINT, PIPE 12	1	1						
17	1	22190-120002	WASHER, SEAL 12	2	2						
18	1	129335-55700	SEPARATOR ASSY,WATER	1	1						
19	2	104200-55321	VALVE, TAPER	1	1						
20	2	104200-55330	SPRING, VALVE	1	1						
21	2	104200-55341	HANDLE	1	1						
22	2	124064-55510	COVER	1	1						
23	2	102103-55520	O-RING	1	1						
24	2	110250-55610	RING, RETAINING	1	1						
25	2	121257-55720	SPRING	1	1						
26	2	121257-55731	FLOAT	1	1						
28	2	101720-55750	PLUG, 6	2	2						
29	2	104200-55750	SCREW, M4	1	1						
30	2	171081-55910	SCREEN	1	1						
31	2	23418-060000	GASKET, 6X1.0	2	2						
32	2	24311-240100	O-RING, 1AP10A	1	1						
33	1	26014-080702	BOLT, M8X 70	1	1						
34	1	129210-59040	PIPE ASSY, FUEL	1	1						
35	2	124766-59050	CLIP, HOSE 12	2	2						
37	1	129210-59130	PIPE ASSY, FUEL	1	1						
38	2	124766-59050	CLIP, HOSE 12	2	2						
40	1	129210-59200	PIPE ASSY, FUEL	1	1						
41	2	124766-59050	CLIP, HOSE 12	2	2						

Fig.51. STARTING MOTOR

(A)=3TNE84-GB2
(B)=3TNE84-GB2S
(C)=

(D)=
(E)=
(F)=



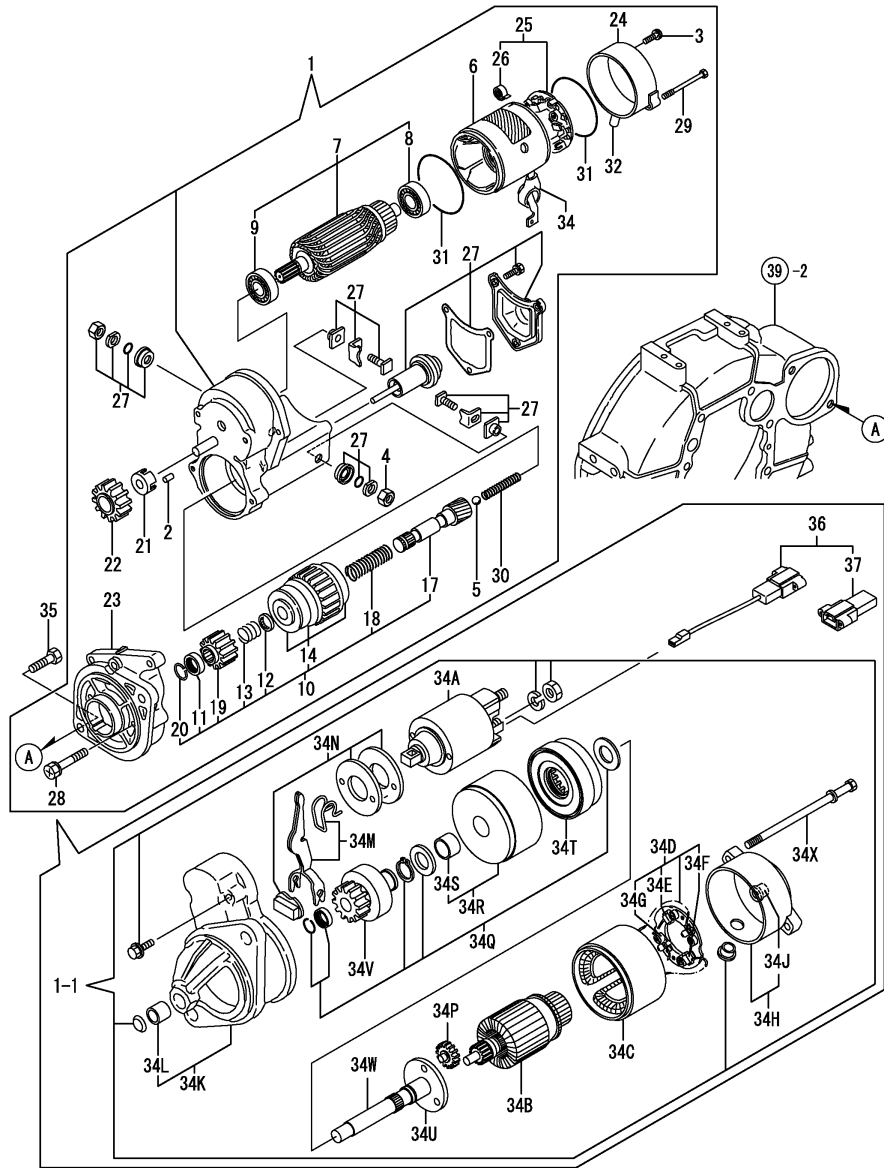
No.	Lev.	Parts No.	Description	Q'ty						I	R
				(A)	(B)	(C)	(D)	(E)	(F)		
1	1	129129-77010	STARTER ASSY	1	1						
1-1	1	129698-77010	STARTER, 12V1.2KW	1	1						F 1
		(A=E57312) (B=E59616)									
2	2	X0283060061	ROLLER	5	5						Z
		(A=E57312) (B=E59616)									
3	2	129129-77460	SCREW	1	1						Z
		(A=E57312) (B=E59616)									
4	2	X9490561370	NUT	1	1						Z
		(A=E57312) (B=E59616)									
5	2	X9491200240	BALL	1	1						Z
		(A=E57312) (B=E59616)									
6	2	129129-77210	YOKE ASSY	1	1						Z
		(A=E57312) (B=E59616)									
7	2	129129-77220	ARMATURE ASSY	1	1						Z
		(A=E57312) (B=E59616)									
8	3	129129-77230	BEARING	1	1						Z
		(A=E57312) (B=E59616)									
9	3	129129-77240	BEARING	1	1						Z
		(A=E57312) (B=E59616)									
10	2	129129-77250	STARTER	1	1						Z
		(A=E57312) (B=E59616)									
11	3	X0280210230	NUT	1	1						Z
		(A=E57312) (B=E59616)									
12	3	X0283270140	RETAINER	1	1						Z
		(A=E57312) (B=E59616)									
13	3	X9491703371	SPRING, COIL	1	1						Z
		(A=E57312) (B=E59616)									
14	3	129129-77390	CLUTCH ASSY	1	1						Z
		(A=E57312) (B=E59616)									
17	3	129129-77400	SHAFT	1	1						Z
		(A=E57312) (B=E59616)									
18	3	129129-77410	SPRING, COIL	1	1						Z
		(A=E57312) (B=E59616)									
19	3	129129-77420	PINION, STARTER	1	1						Z
		(A=E57312) (B=E59616)									
20	3	129129-77430	RING	1	1						Z
		(A=E57312) (B=E59616)									
21	2	129129-77260	RETAINER	1	1						Z
		(A=E57312) (B=E59616)									
22	2	129129-77270	PINION	1	1						Z
		(A=E57312) (B=E59616)									
23	2	129129-77280	HOUSING	1	1						Z
		(A=E57312) (B=E59616)									
24	2	129129-77290	FRAME	1	1						Z
		(A=E57312) (B=E59616)									
25	2	129129-77300	HOLDER ASSY	1	1						Z
		(A=E57312) (B=E59616)									
26	3	X9491730461	SPRING	4	4						Z
		(A=E57312) (B=E59616)									
27	2	129129-77310	SWITCH ASSY	1	1						Z
		(A=E57312) (B=E59616)									

Remarks
(1) Ref.no.1-1 & 36 Interchangeable by set.

Fig.51. STARTING MOTOR

(A)=3TNE84-GB2
(B)=3TNE84-GB2S
(C)=

(D)=
(E)=
(F)=



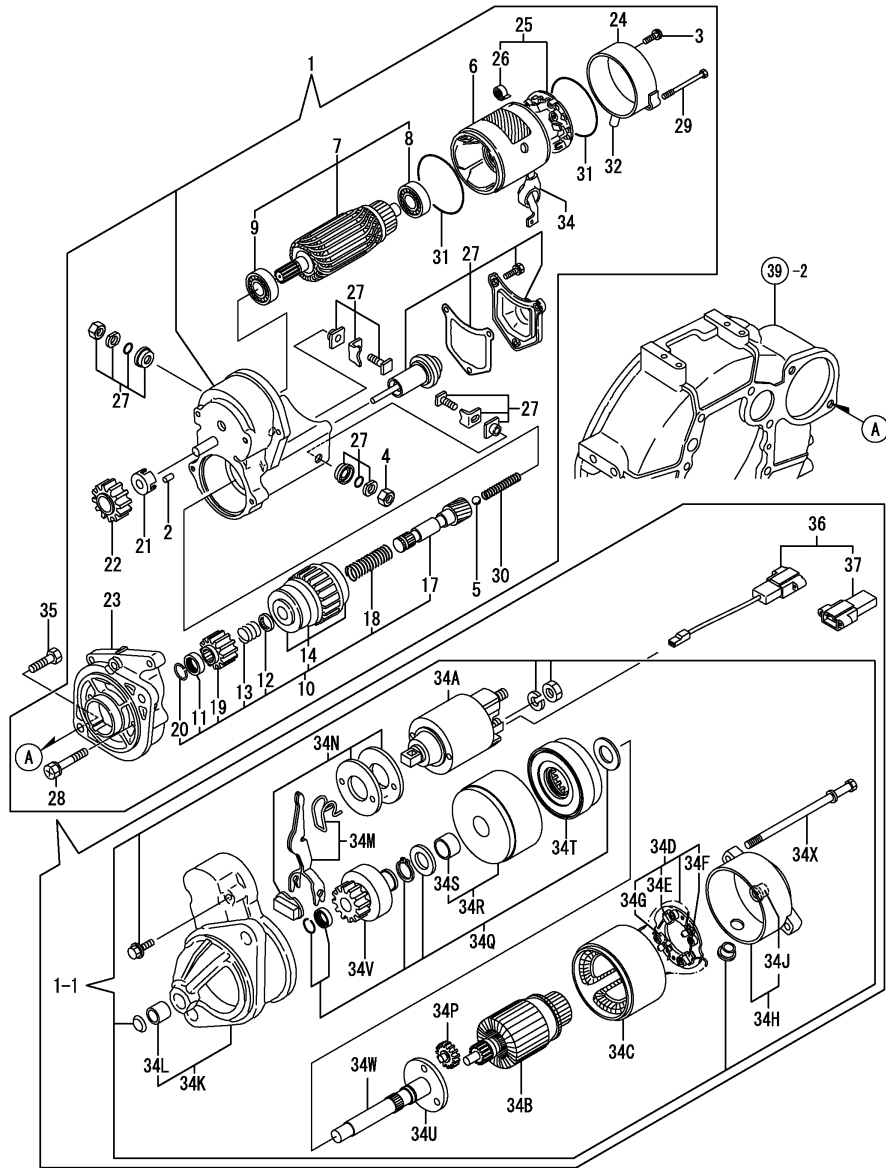
No.	Lev.	Parts No.	Description	Q'ty						I	R
				(A)	(B)	(C)	(D)	(E)	(F)		
28	2	129129-77320	BOLT	2	2						Z
		(A=E57312) (B=E59616)									
29	2	129129-77330	BOLT	2	2						Z
		(A=E57312) (B=E59616)									
30	2	129129-77340	SPRING	1	1						Z
		(A=E57312) (B=E59616)									
31	2	129129-77350	O-RING	2	2						Z
		(A=E57312) (B=E59616)									
32	2	129129-77362	COVER	1	1						Z
		(A=E57312) (B=E59616)									
34	2	129129-77380	CAP	1	1						Z
		(A=E57312) (B=E59616)									
34A	2	129698-77020	SWITCH ASSY	1	1						W
		(A=E57312) (B=E59616)									
34B	2	129698-77100	ARMATURE ASSY	1	1						W
		(A=E57312) (B=E59616)									
34C	2	129698-77110	YOKE ASSY	1	1						W
		(A=E57312) (B=E59616)									
34D	2	129698-77120	HOLDER ASSY, BRUSH	1	1						W
		(A=E57312) (B=E59616)									
34E	3	129698-77140	BRUSH SET	1	1						W
		(A=E57312) (B=E59616)									
34F	3	129698-77130	BRUSH	2	2						W
		(A=E57312) (B=E59616)									
34G	3	129698-77150	SPRING, BRUSH	4	4						W
		(A=E57312) (B=E59616)									
34H	2	129698-77160	COVER ASSY	1	1						W
		(A=E57312) (B=E59616)									
34H-1	2	129698-77161	COVER ASSY	1	1						R
		(A=E57312) (B=E59616)									
34J	3	129698-77170	BEARING	1	1						W
		(A=E57312) (B=E59616)									
34K	2	129698-77260	CASE ASSY	1	1						W
		(A=E57312) (B=E59616)									
34L	3	X2114535200	METAL, STARTER	1	1						W
		(A=E57312) (B=E59616)									
34M	2	129698-77270	LEVER SET, SHIFT	1	1						W
		(A=E57312) (B=E59616)									
34N	2	129698-77280	COVER KIT	1	1						W
		(A=E57312) (B=E59616)									
34P	2	129698-77240	GEAR	3	3						W
		(A=E57312) (B=E59616)									
34Q	2	129698-77250	WASHER SET	1	1						W
		(A=E57312) (B=E59616)									
34R	2	129698-77180	BRACKET	1	1						W
		(A=E57312) (B=E59616)									
34S	3	129698-77190	BRACKET	1	1						W
		(A=E57312) (B=E59616)									
34T	2	129698-77200	GEAR, INTERNAL	1	1						W
		(A=E57312) (B=E59616)									
34U	2	129698-77210	BRACKET	1	1						W

Remarks
(1) Ref.no.1-1 & 36 Interchangeable by set.

Fig.51. STARTING MOTOR

(A)=3TNE84-GB2
(B)=3TNE84-GB2S
(C)=

(D)=
(E)=
(F)=



No.	Lev.	Parts No.	Description	Q'ty						I	R
				(A)	(B)	(C)	(D)	(E)	(F)		
34V	2	(A=E57312) (B=E59616) 129698-77220	PINION ASSY	1	1						W
		(A=E57312) (B=E59616)									
34W	2	129698-77230	SHAFT	1	1						W
34X	2	(A=E57312) (B=E59616) 124195-77770	BOLT, THROUGH	2	2						W
		(A=E57312) (B=E59616)									
35	1	26116-120252	BOLT, M12X 25 PLATED	2	2						
36	1	129052-77951	CONNECTOR, STARTER	1	1						W 1
37	2	(A=E57312) (B=E59616) 129052-77960	HOUSING	1	1						W 1
		(A=E57312) (B=E59616)									

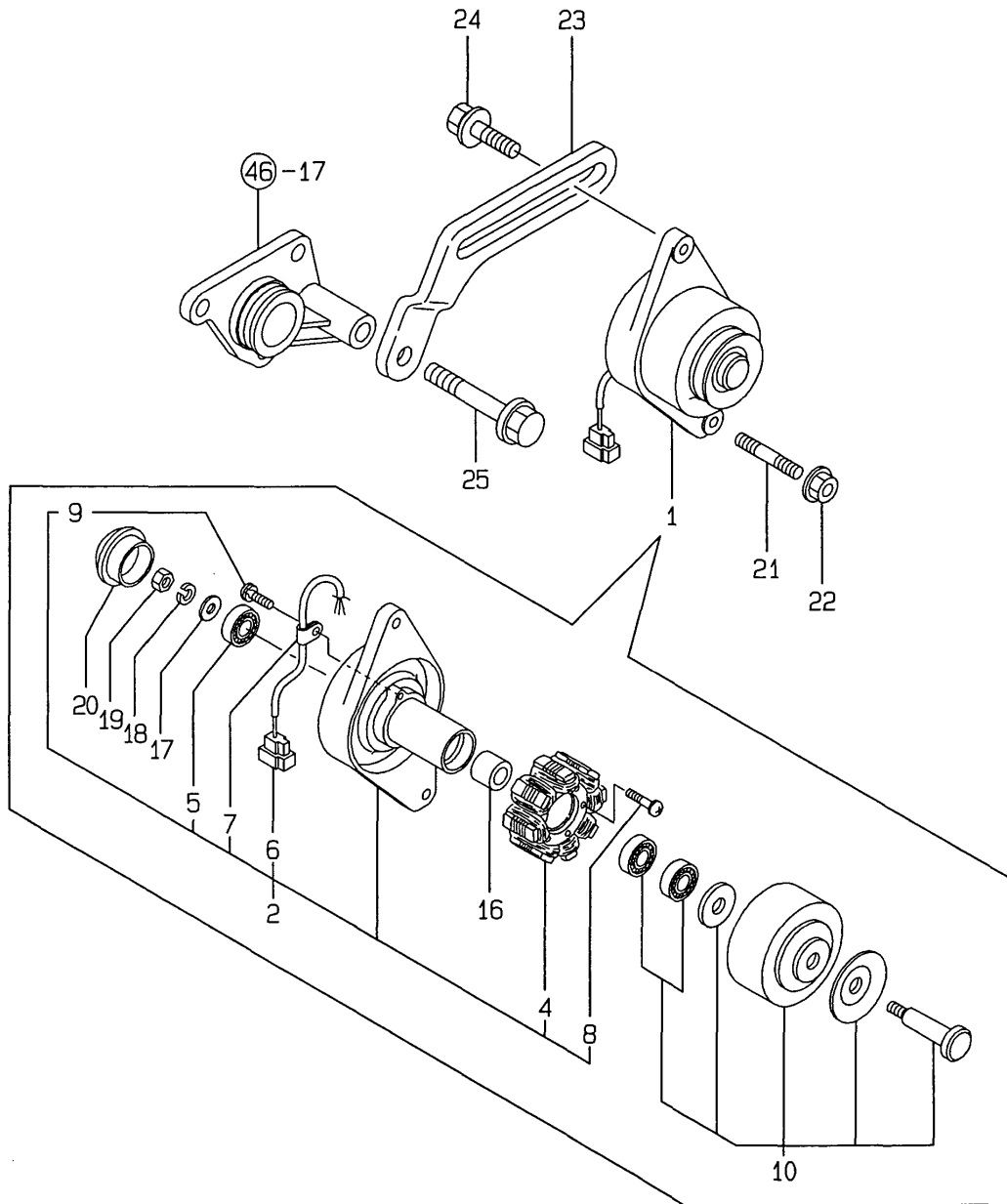
Remarks
(1) Ref.no.1-1 & 36 Interchangeable by set.

Fig.52. GENERATOR

52.GENERATOR

(A)=3TNE84-GB2
(B)=3TNE84-GB2S
(C)=

(D)=
(E)=
(F)=



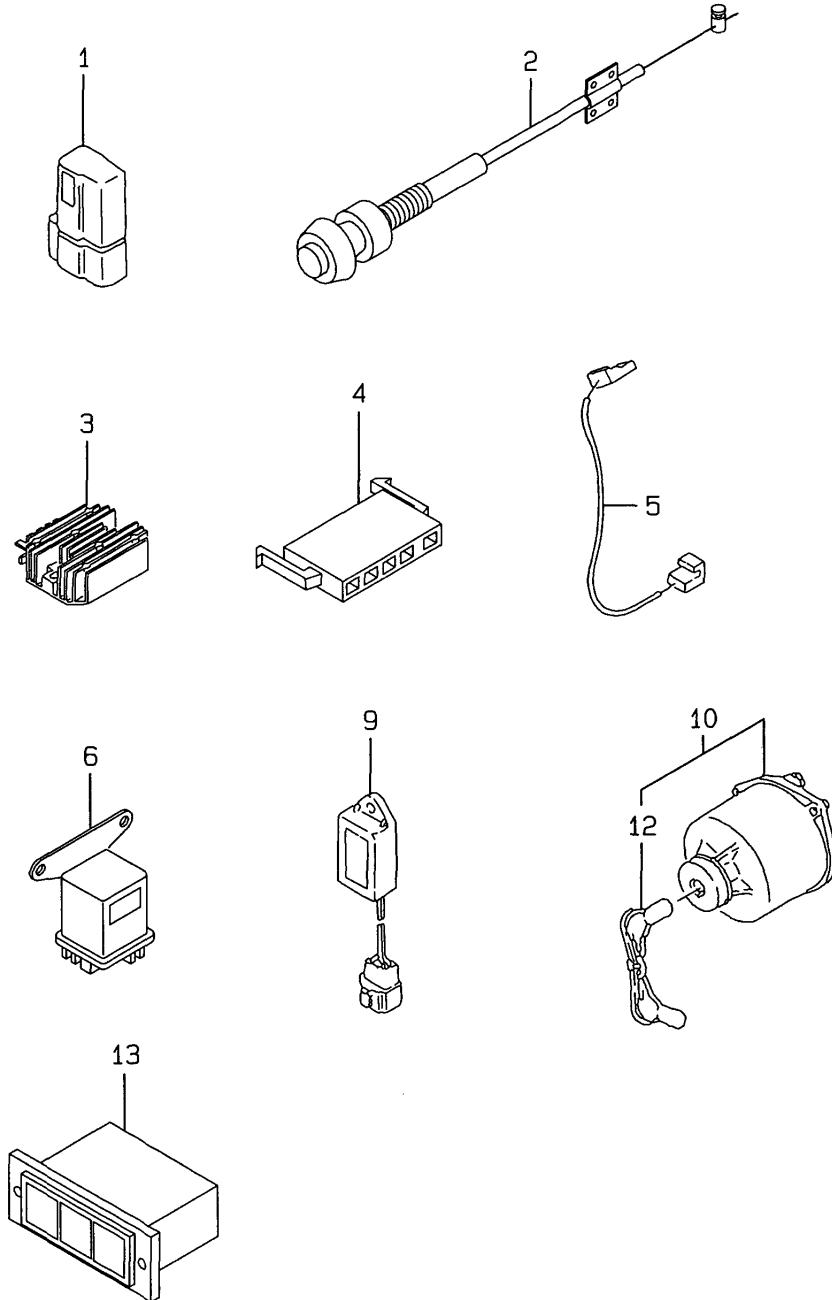
No.	Lev.	Parts No.	Description	Q'ty						I	R
				(A)	(B)	(C)	(D)	(E)	(F)		
1	1	171301-77201	DYNAMO ASSY, 15A	1	1						
2	2	XM08137	PLATE ASSY	1	1						
4	3	XM08180	STATOR SET	1	1						
5	3	XM27436	BEARING, BALL	1	1						
6	3	XM17878	COUPLER	1	1						
7	3	XM36410	CLAMP	1	1						
8	3	26022-040252	SCREW, M4X25	2	2						
9	3	XYSPS4008	SCREW	1	1						
10	2	XM82184	FLYWHEEL ASSY	1	1						
16	2	106383-44720	SPACER	1	1						
17	2	106383-44730	WASHER	1	1						
18	2	22212-100000	SPRING WASHER 10	1	1						
19	2	26716-100002	NUT, M10	1	1						
20	2	XM61014	CAP	1	1						
21	1	129795-01900	STUD	1	1						
22	1	26366-100002	NUT, M10	1	1						
23	1	129410-77330	ADJUSTER	1	1						
24	1	119810-77340	BOLT, ADJUSTER	1	1						
25	1	26106-080502	BOLT, M8X 50 PLATED	1	1						

Fig.53. ELECTRICAL PARTS

53.ELECTRIC PARTS

(A)=3TNE84-GB2
(B)=3TNE84-GB2S
(C)=

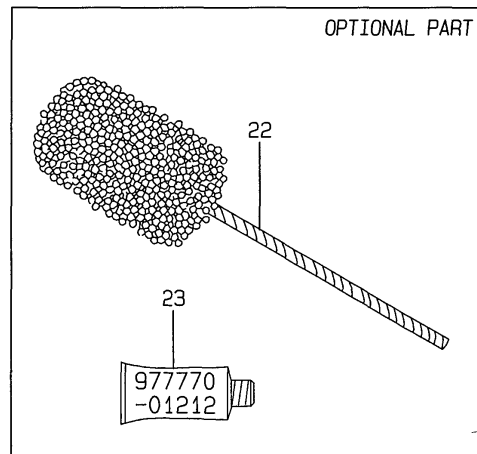
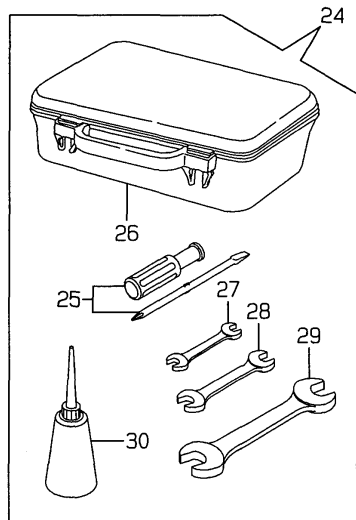
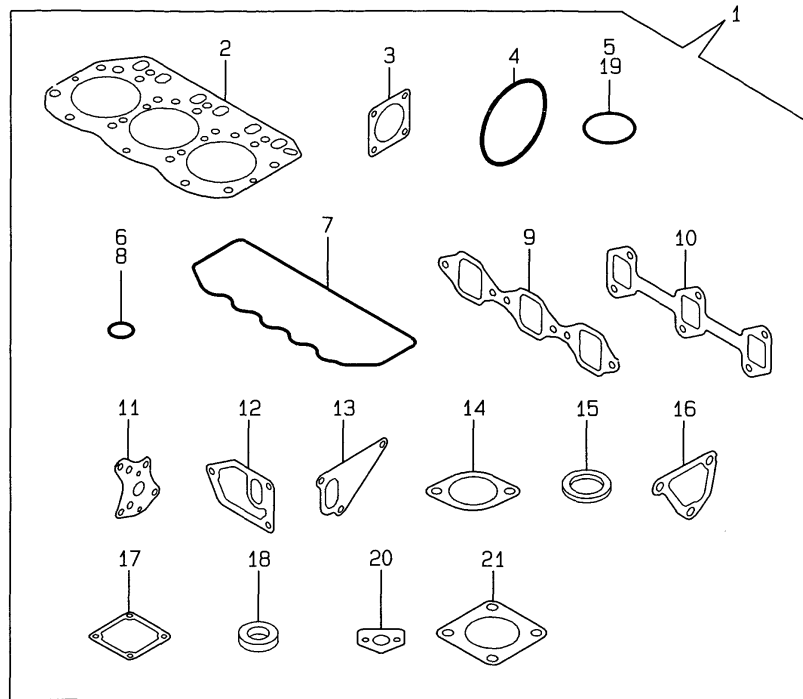
(D)=
(E)=
(F)=



No.	Lev.	Parts No.	Description	Q'ty						I	R
				(A)	(B)	(C)	(D)	(E)	(F)		
1	1	119643-66900	DIODE	1	1						
2	1	170022-67100	CABLE, PUSH-PULL		1						
3	1	119660-77710	LIMITER, CURRENT 15A	1	1						
3-1	1	119660-77711 (A=E47757)	LIMITER, CURRENT 15A (B=E47390)	1	1						N
4	1	171301-77720	COUPLER	1	1						
5	1	119643-77900	CONNECTOR, STARTER	1	1						
6	1	119650-77910	RELAY ASSY, GLOW	1	1						
9	1	119632-77920	TIMER	1	1						
10	1	129115-91250	SWITCH ASSY	1	1						
12	2	129115-91270	KEY ASSY	1	1						
13	1	170038-91310	LAMP	1	1						

Fig.54. GASKET SET & TOOLS

54.GASKET SET



(A)=3TNE84-GB2
(B)=3TNE84-GB2S
(C)=

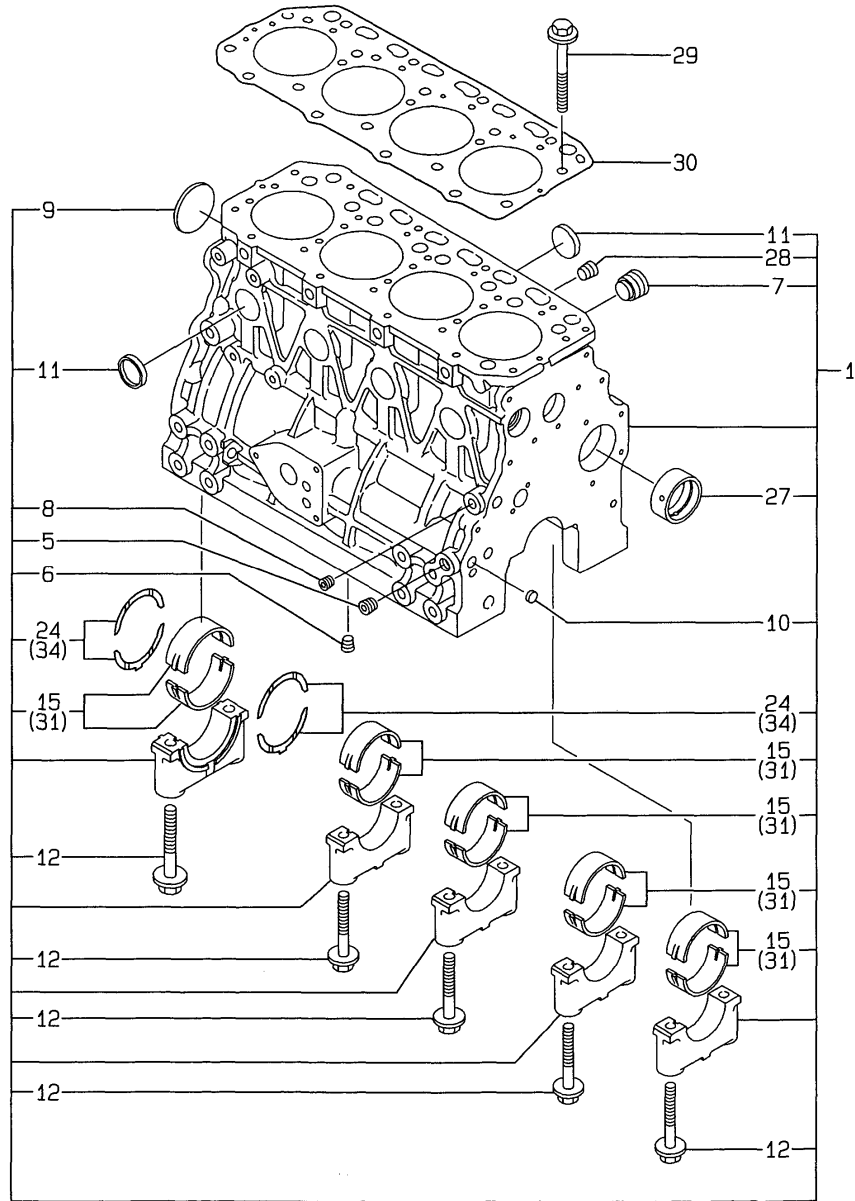
(D)=
(E)=
(F)=

No.	Lev.	Parts No.	Description	Q'ty						I	R
				(A)	(B)	(C)	(D)	(E)	(F)		
1	1	729002-92700	GASKET SET	1	1						1
2	2	129002-01331	GASKET, HEAD	1	1						
3	2	124240-01883	GASKET	1	1						
4	2	121850-51960	O-RING	1	1						
5	2	24311-000320	O-RING, 1AP32.0	2	2						
6	2	24311-000120	O-RING, 1AP12.0	3	3						
7	2	129150-11310	GASKET, BONNET	1	1						
8	2	24311-000160	O-RING, 1AP16.0	3	3						
9	2	129150-12111	GASKET, MANIFOLD	1	1						
10	2	129150-13110	GASKET	1	1						
11	2	129150-32020	GASKET, PUMP	1	1						
12	2	129120-35121	GASKET	1	1						
13	2	129100-42020	GASKET, WATER PUMP	1	1						
14	2	129795-49551	GASKET	1	1						
15	2	129150-49811	GASKET, THERMOSTAT	1	1						
16	2	129100-49840	GASKET	1	1						
17	2	129150-77511	GASKET	1	1						
18	2	124465-44950	GASKET, 16	2	2						
19	2	24341-000250	O-RING, 1AS25.0	1	1						
20	2	129150-35041	GASKET	1	1						
21	2	124701-11911	GASKET, SILENCER	1	1						
22	1	129400-92420	HONE	1	1						1
23	1	977770-01212	GASKET, LIQUID	1	1						1
24	1	721400-92102	BOX ASSY, TOOL	1	1						
25	2	104200-92350	DRIVER, SCREW	1	1						
26	2	104200-92600	BOX, TOOL	1	1						
27	2	28110-100120	SPANNER, 10X12	1	1						
28	2	28110-140170	SPANNER, 14X17	1	1						
29	2	28110-190220	SPANNER, 19X22	1	1						
30	2	28210-000140	OILER	1	1						

Remarks
(1) OPTIONAL PART.

Fig.55. CYLINDER BLOCK

55. CYLINDER BLOCK



(A)=4TNE84-GB2
(B)=4TNE84-GB2S
(C)=

(D)=
(E)=
(F)=

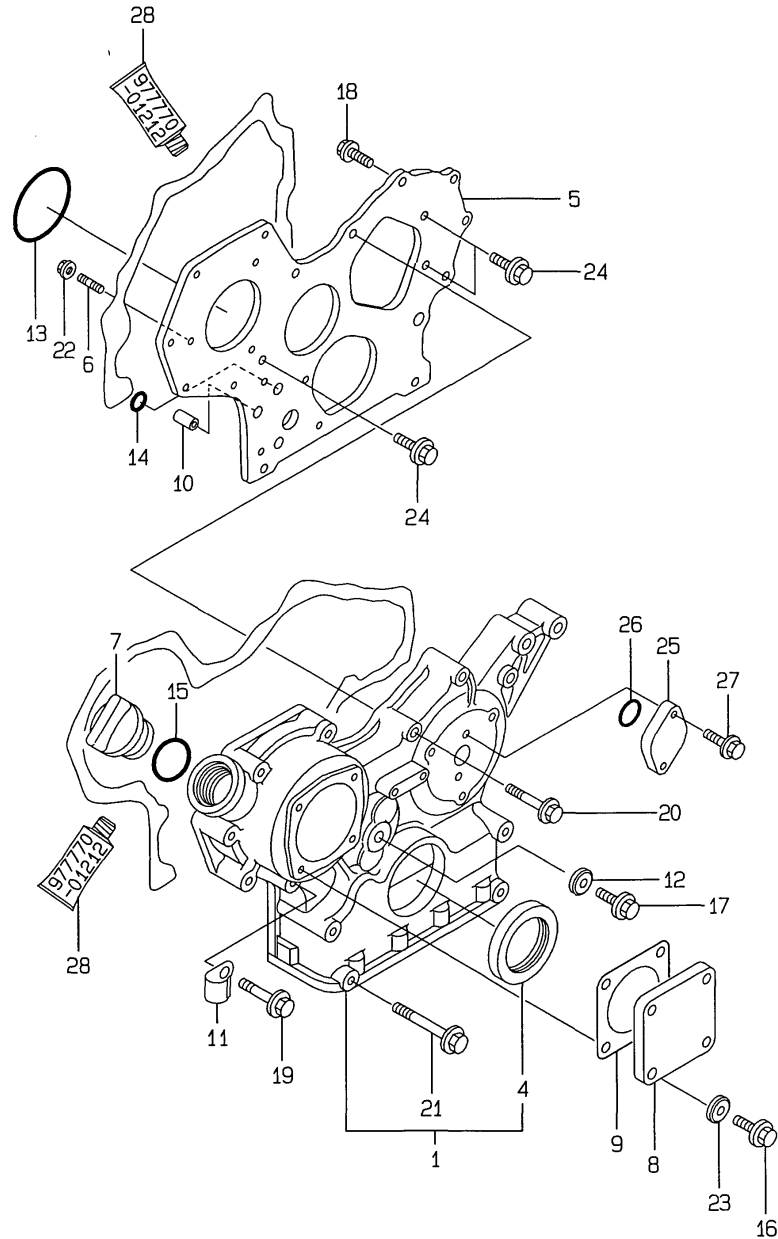
No.	Lev.	Parts No.	Description	Q'ty						I	R
				(A)	(B)	(C)	(D)	(E)	(F)		
1	1	729408-01560	BLOCK ASSY, CYLINDER	1	1						
5	2	124160-01910	PLUG, PT1/4	2	2						
6	2	124160-01910	PLUG, PT1/4	1	1						
7	2	171051-01921	PLUG, NPTF1	1	1						
8	2	23871-010000	PLUG, R01	1	1						
9	2	27231-500000	PLUG 50	1	1						
10	2	27241-120000	PLUG, 12	2	2						
11	2	27241-300000	PLUG 30	8	8						
12	2	129150-02020	BOLT, METAL CAP	10	10						
15	2	129001-02800	BEARING, MAIN	5	5						
24	2	129150-02930	BEARING, THRUST	2	2						
27	2	129795-02411	BUSH, CAMSHAFT	1	1						
28	2	23871-030000	PLUG, R03	1	1						
29	1	129150-01200	BOLT, HEAD	18	18						
30	1	129408-01330	GASKET, HEAD	1	1						
31	1	129150-02870	BEARING, 0.25 US	5	5						1
34	1	129150-02940	BEARING, THRUST 0.25	2	2						2

Remarks

- (1) UNDER-SIZE(U.S=0.25)PART.
- (2) OVER-SIZE(O.S=0.25)PART.

Fig.56. GEAR HOUSING

56. GEAR HOUSING



(A)=4TNE84-GB2
(B)=4TNE84-GB2S
(C)=

(D)=
(E)=
(F)=

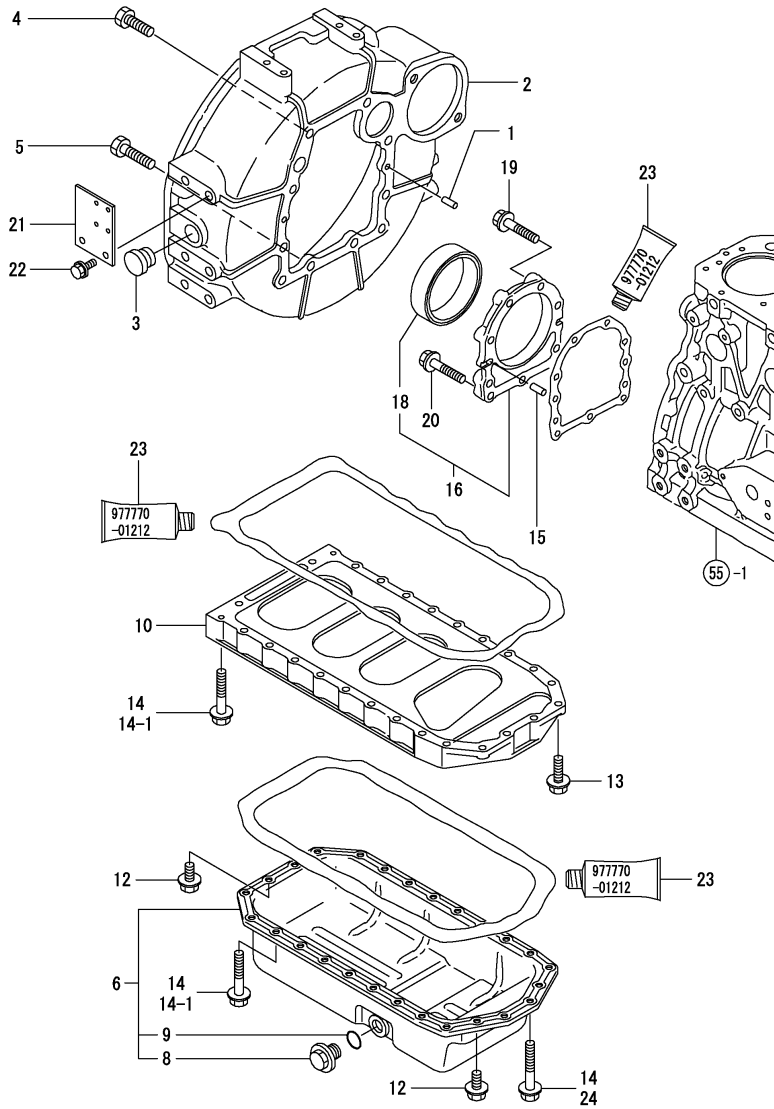
No.	Lev.	Parts No.	Description	Q'ty						I	R
				(A)	(B)	(C)	(D)	(E)	(F)		
1	1	719810-01500	CASE ASSY, GEAR	1	1						
4	2	129795-01800	SEAL, OIL	1	1						
5	1	129400-01520	FLANGE, GEAR CASE	1	1						
6	1	121450-01560	STUD, M8X22	3	3						
7	1	124160-01751	COVER, FILLER	1	1						
8	1	124240-01871	COVER	1	1						
9	1	124240-01883	GASKET	1	1						
10	1	129795-01950	PIPE, KNOCK L=18	2	2						
11	1	129150-03100	RETAINER, PIPE	1	1						
12	1	22190-080002	WASHER, SEAL 6	1	1						
13	1	121850-51960	O-RING	1	1						
14	1	24311-000160	O-RING, 1AP16.0	2	2						
15	1	24311-000320	O-RING, 1AP32.0	1	1						
16	1	26106-080122	BOLT, M8X 12 PLATED	4	4						
17	1	26106-080162	BOLT, M8X 16 PLATED	1	1						
18	1	26106-080202	BOLT, M8X 20 PLATED	2	2						
19	1	26106-080452	BOLT, M8X 45 PLATED	6	6						
20	1	26106-080552	BOLT, M8X 55 PLATED	3	3						
21	1	129001-91840	BOLT, M8X85	4	4						
22	1	26366-080002	NUT, M8	3	3						
23	1	22190-080002	WASHER, SEAL 6	4	4						
24	1	26106-080162	BOLT, M8X 16 PLATED	3	3						
25	1	121023-01550	COVER	1	1						
26	1	24341-000240	O-RING, 1AS24.0	1	1						
27	1	26106-060162	BOLT, M6X 16 PLATED	2	2						
28	1	977770-01212	GASKET, LIQUID	1	1						1

Remarks
(1) OPTIONAL PART.

Fig.57. FLYWHEEL HOUSING & OIL SUMP

(A)=4TNE84-GB2
(B)=4TNE84-GB2S
(C)=

(D)=
(E)=
(F)=



No.	Lev.	Parts No.	Description	Q'ty						I	R
				(A)	(B)	(C)	(D)	(E)	(F)		
1	1	129100-01580	PIN, M8X16	2	2						
2	1	129612-01600	HOUSING, FLYWHEEL	1	1						
3	1	119620-01750	CAP	1	1						
4	1	26206-100252	BOLT, M10X 25 PLATED	6	6						
5	1	26206-100302	BOLT, M10X 30 PLATED	4	4						
6	1	129400-01770	SUMP ASSY, OIL	1	1						
6-1	1	129688-01780	OIL PAN ASSY, DEEP	1	1					N	2
		(A=REF. TO R) (B=REF. TO R)									
8	2	171301-01640	PLUG, 22	1	1						
9	2	24341-000250	O-RING, 1AS25.0	1	1						
10	1	129400-01730	SPACER, OIL SUMP	1	1						
12	1	26106-080162	BOLT, M8X 16 PLATED	4	4						
13	1	26106-080252	BOLT, M8X 25 PLATED	2	2						
14	1	26106-080452	BOLT, M8X 45 PLATED	24	24						
14-1	1	26106-080452	BOLT, M8X 45 PLATED	20	20						K
		(A=FROM 1ST) (B=FROM 1ST)									
15	1	129100-01580	PIN, M8X16	2	2						
16	1	129100-01640	CASE ASSY, OIL SEAL	1	1						
18	2	129795-01780	SEAL, OIL	1	1						
19	1	129486-01670	BOLT, M8X30	6	6						
20	1	26106-080352	BOLT, M8X 35 PLATED	3	3						
21	1	129111-67010	SUPPORT, WIRE	1	1						
22	1	26106-080162	BOLT, M8X 16 PLATED	2	2						
23	1	977770-01212	GASKET, LIQUID	1	1						1
24	1	26106-080502	BOLT, M8X 50 PLATED	4	4						W
		(A=FROM 1ST) (B=FROM 1ST)									

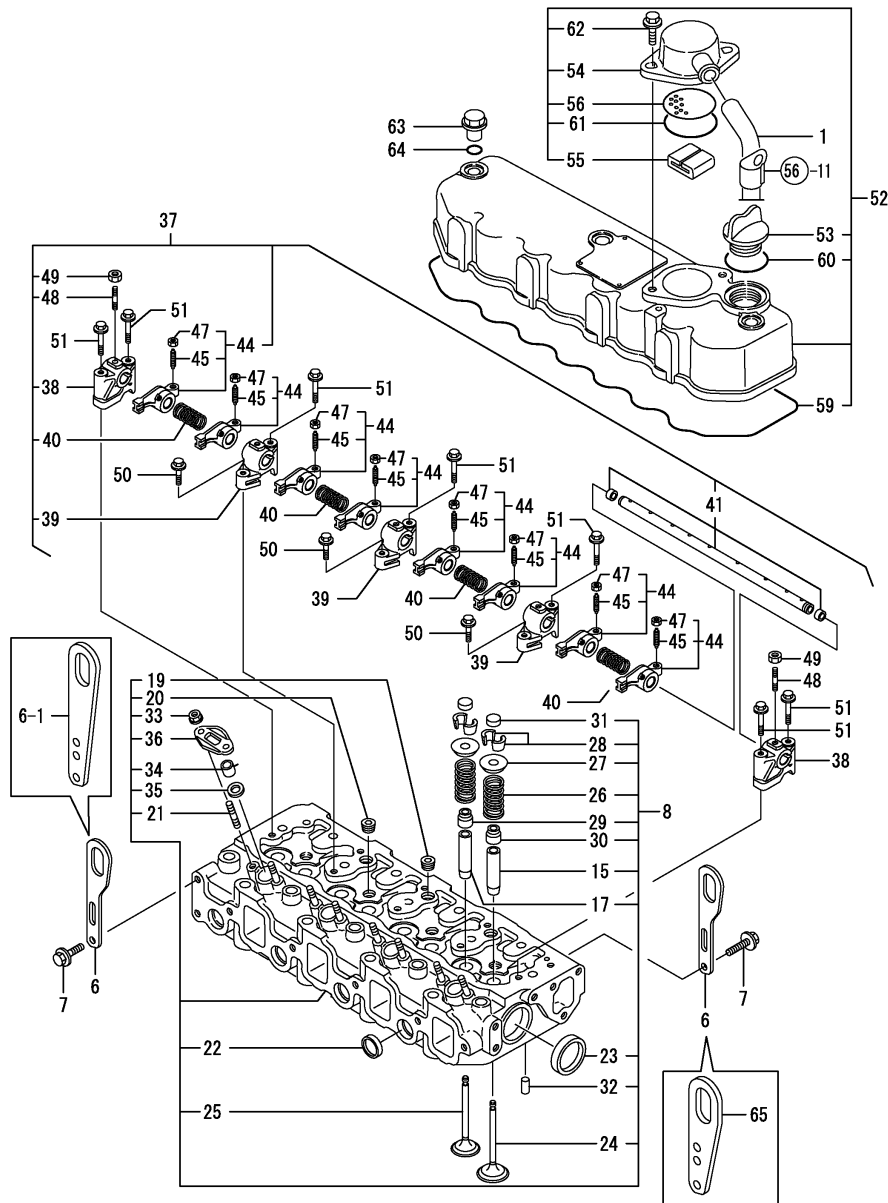
Remarks

- (1)Optional parts.
- (2)For repair.

Fig.58. CYLINDER HEAD & BONNET

(A)=4TNE84-GB2
(B)=4TNE84-GB2S
(C)=

(D)=
(E)=
(F)=



No.	Lev.	Parts No.	Description	Qty						I	R
				(A)	(B)	(C)	(D)	(E)	(F)		
1	1	171350-03090	PIPE , BREATHER 900	1	1						
6	1	124736-07900	LIFTER	2	2						
6-1	1	129900-07900	LIFTER	1	1						N
				(A=*2009.08)	(B=*2009.08)						
7	1	26106-080142	BOLT, M8X 14 PLATED	4	4						
8	1	729408-11700	HEAD ASSY, CYLINDER	1	1						
15	2	120130-11860	GUIDE, VALVE	4	4						1
17	2	129150-11810	GUIDE, VALVE	4	4						1
19	2	23871-020000	PLUG, R02	3	3						
20	2	23871-030000	PLUG, R03	4	4						
21	2	26216-060202	STUD, M6X 20	8	8						
22	2	27241-220000	PLUG, 22	4	4						
23	2	27241-400000	PLUG, 40	2	2						
24	2	129100-11100	VALVE, INTAKE	4	4						
25	2	129100-11130	VALVE, EXHAUST	4	4						
26	2	129795-11120	SPRING, VALVE	8	8						
27	2	129795-11180	RETAINER, SPRING	8	8						
28	2	27310-080001	COTTER, 8	8	8						
29	2	121400-11340	SEAL, VALVE STEM	4	4						
30	2	124460-11340	SEAL, VALVE STEM	4	4						
31	2	129150-11370	CAP, VALVE	8	8						
32	2	22351-060012	PIN, SPRING 6.0X12	2	2						
33	2	26366-060002	NUT, M6	8	8						
34	2	119625-11870	PROTECTOR, NOZZLE	4	4						
35	2	119625-11880	SEAT, NOZZLE	4	4						
36	2	119625-11900	RETAINER, NOZZLE	4	4						
37	1	129555-11241	SHAFT ASSY, ROCKER	1	1						
38	2	129155-11260	SUPPORT, ROCKER ARM	2	2						
39	2	129155-11270	SUPPORT, ROCKER ARM	3	3						
40	2	129150-11280	SPRING	4	4						
41	2	129550-11290	SHAFT, ROCKER ARM	1	1						
44	2	729402-11650	ARM ASSY, ROCKER	8	8						
45	3	129150-11230	SCREW, VALVE ADJUST	8	8						
47	3	129150-11750	NUT, M8	8	8						
48	2	26226-080182	STUD, M8X 18	3	3						
49	2	26756-080002	NUT, LOCK M8	3	3						
50	1	26106-080252	BOLT, M8X 25 PLATED	3	3						
51	1	26106-080502	BOLT, M8X 50 PLATED	7	7						
52	1	129400-11350	BONNET ASSY, HEAD	1	1						
53	2	124160-01751	COVER, FILLER	1	1						
54	2	129150-03020	COVER, BREATHER	1	1						
55	2	129150-03070	BAFFLE, BREATHER	1	1						
56	2	129150-03080	PLATE, BAFFLE	1	1						
59	2	129550-11310	GASKET, BONNET	1	1						
60	2	24311-000320	O-RING, 1AP32.0	1	1						
61	2	24341-000500	O-RING, 1AS50.0	1	1						
62	2	26106-080162	BOLT, M8X 16 PLATED	2	2						
63	1	124160-11360	KNOB	3	3						
64	1	24311-000120	O-RING, 1AP12.0	3	3						
65	1	119226-07900	LIFTER	1	1						W

(A=*2009.06) (B=*2009.06)

N:Old $\xrightarrow{\text{Yes}}$ New, Q:Old $\xrightarrow{\text{No}}$ New, R:Old $\xrightarrow{\text{Yes}}$ New, S:Old $\xrightarrow{\text{No}}$ New, W:Add, Z:Discontinued, F:Interchangeable by set, K:Q'ty Change

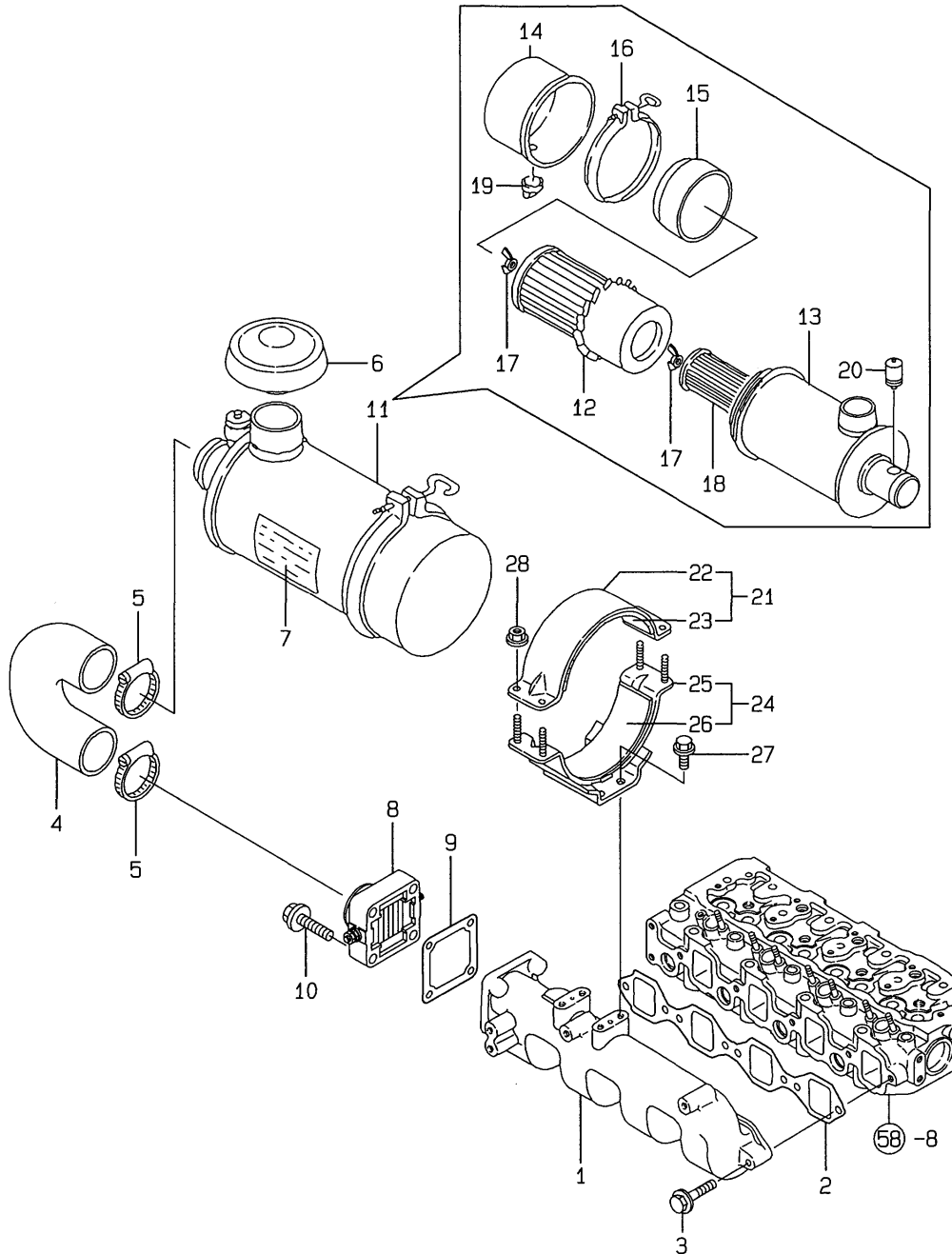
Remarks
(1) REPAIR PART.

Fig.59. SUCTION MANIFOLD & AIR CLEANER

(A)=4TNE84-GB2
(B)=4TNE84-GB2S
(C)=

(D)=
(E)=
(F)=

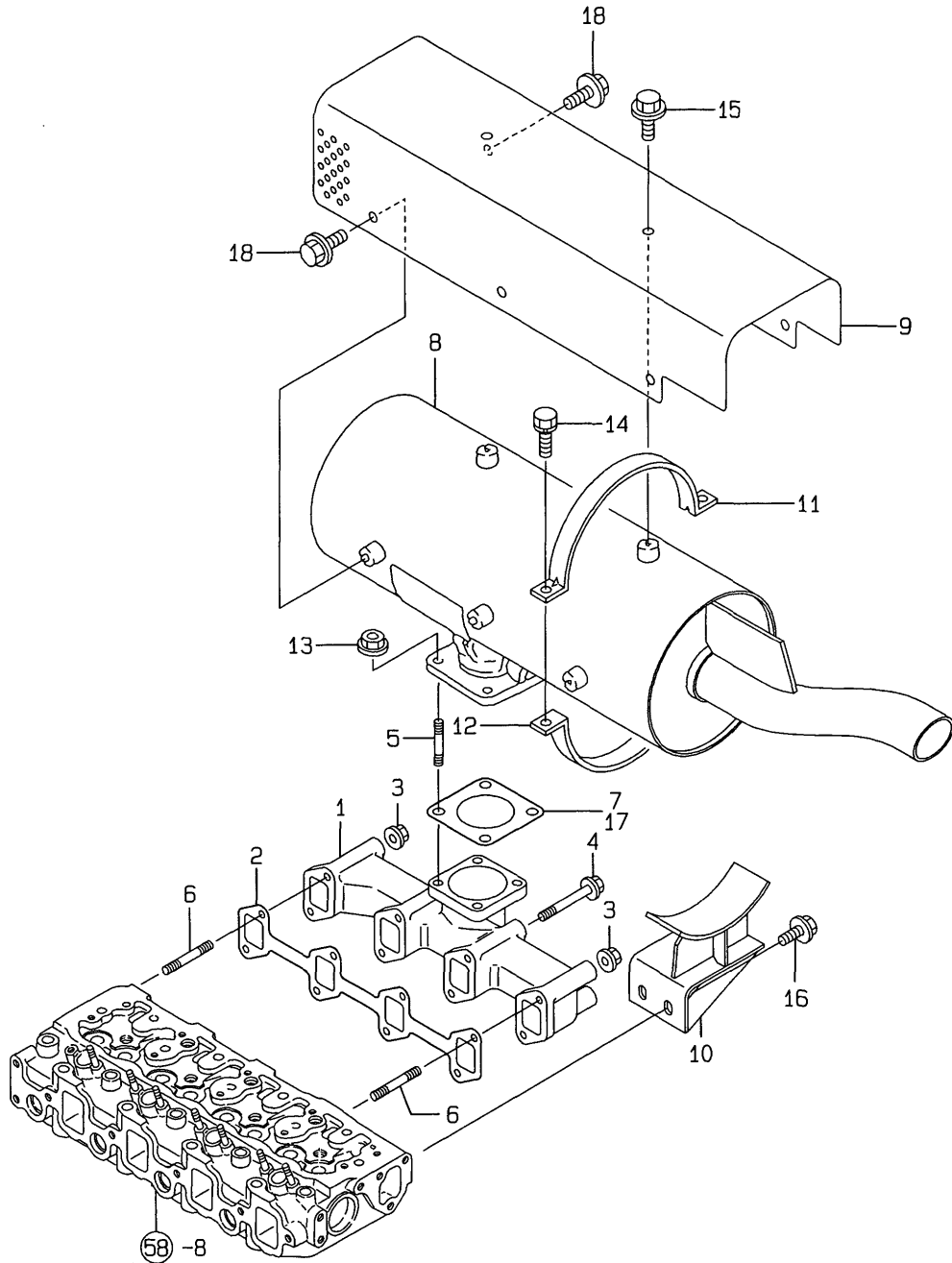
59.SUCTION MANIFOLD & AIR CLEANER



No.	Lev.	Parts No.	Description	Q'ty						I	R
				(A)	(B)	(C)	(D)	(E)	(F)		
1	1	129488-12100	MANIFOLD, AIR INTAKE	1	1						
2	1	129550-12111	GASKET, MANIFOLD	1	1						
3	1	26106-080352	BOLT, M8X 35 PLATED	5	5						
4	1	171351-12210	PIPE, AIR INTAKE	1	1						
5	1	23000-060000	CLAMP, 60	2	1						
6	1	121521-12400	CAP, RAIN	1							
7	1	171064-12600	LABEL, AIR CLEANER	1	1						
8	1	129120-77501	HEATER	1	1						
9	1	129150-77511	GASKET	1	1						
10	1	26106-080352	BOLT, M8X 35 PLATED	4	4						
11	1	121521-12500	CLEANER ASSY, AIR	1	1						
12	2	121420-12511	ELEMENT	1	1						
13	2	171061-12520	BODY ASSY	1	1						
14	2	121422-12530	CUP	1	1						
15	2	121420-12540	SCARF, BAFFLE	1	1						
16	2	121420-12550	CLAMP ASSY	1	1						
17	2	121420-12561	NUT, WING	2	2						
18	2	121422-12570	ELEMENT	1	1						
19	2	121422-12580	VALVE, UNLOADER	1	1						
20	2	126650-12680	INDICATOR	1	1						
21	1	121400-12540	BAND ASSY, CLEANER	1	1						
22	2	121400-12560	BAND, AIR CLEANER	1	1						
23	2	121400-12570	SEAT, RUBBER B	1	1						
24	1	171351-12580	SUPPORT ASSY,CLEANER	1	1						
25	2	171351-12560	SUPPORT, AIR CLEANER	1	1						
26	2	171351-12570	SEAT, RUBBER	1	1						
27	1	26106-080142	BOLT, M8X 14 PLATED	4	4						
28	1	26366-060002	NUT, M6	4	4						

Fig.60. EXHAUST MANIFOLD & SILENCER

60.EXHAUST MANIFOLD & SILENCER



(A)=4TNE84-GB2
(B)=4TNE84-GB2S
(C)=

(D)=
(E)=
(F)=

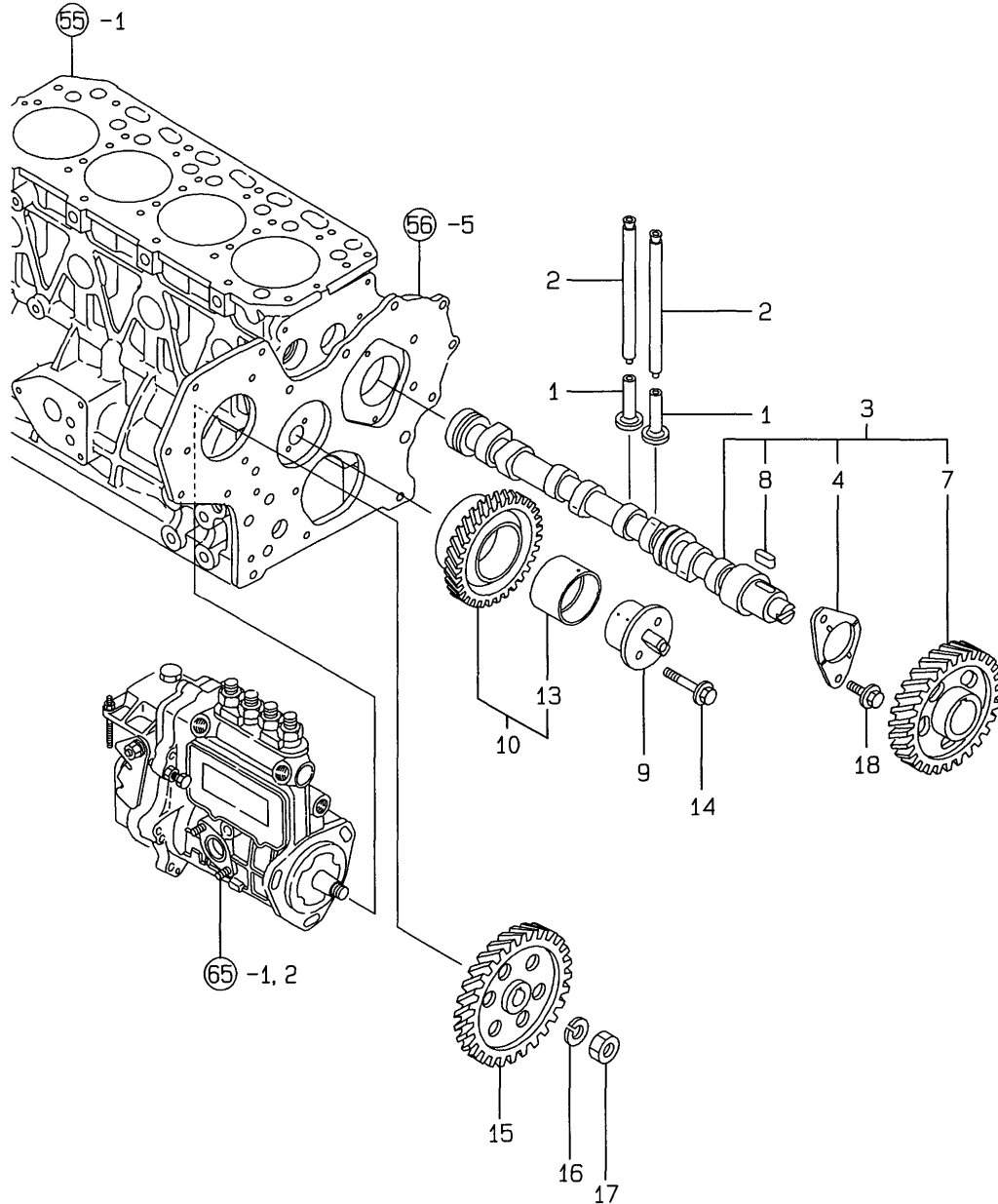
No.	Lev.	Parts No.	Description	Q'ty						I	R
				(A)	(B)	(C)	(D)	(E)	(F)		
1	1	129411-13100	MANIFOLD, EXHAUST	1	1						
2	1	129550-13110	GASKET	1	1						
3	1	26366-060002	NUT, M6	2	2						
4	1	26106-080802	BOLT, M8X 80 PLATED	6	6						
5	1	119131-18320	STUD, M8X22	4	4						
6	1	26216-080802	STUD, M8X 80	2	2						
7	1	129400-13201	GASKET, SILENCER	1							
8	1	129411-13500	SILENCER	1							
9	1	129411-13600	COVER, SILENCER	1							
10	1	129411-13650	STAY, SILENCER	1							
11	1	129411-13670	BAND, SILENCER	1							
12	1	129411-13680	BAND, SILENCER	1							
13	1	26366-080002	NUT, M8	4							
14	1	26014-080302	BOLT, M8X 30	2							
15	1	26106-080142	BOLT, M8X 14 PLATED	2							
16	1	26106-080142	BOLT, M8X 14 PLATED	2							
17	1	129400-13201	GASKET, SILENCER			1					
18	1	26106-080102	BOLT, M8X 10 PLATED	6							

Fig.61. CAMSHAFT & DRIVING GEAR

(A)=4TNE84-GB2
(B)=4TNE84-GB2S
(C)=

(D)=
(E)=
(F)=

61.CAMSHAFT & DRIVING GEAR

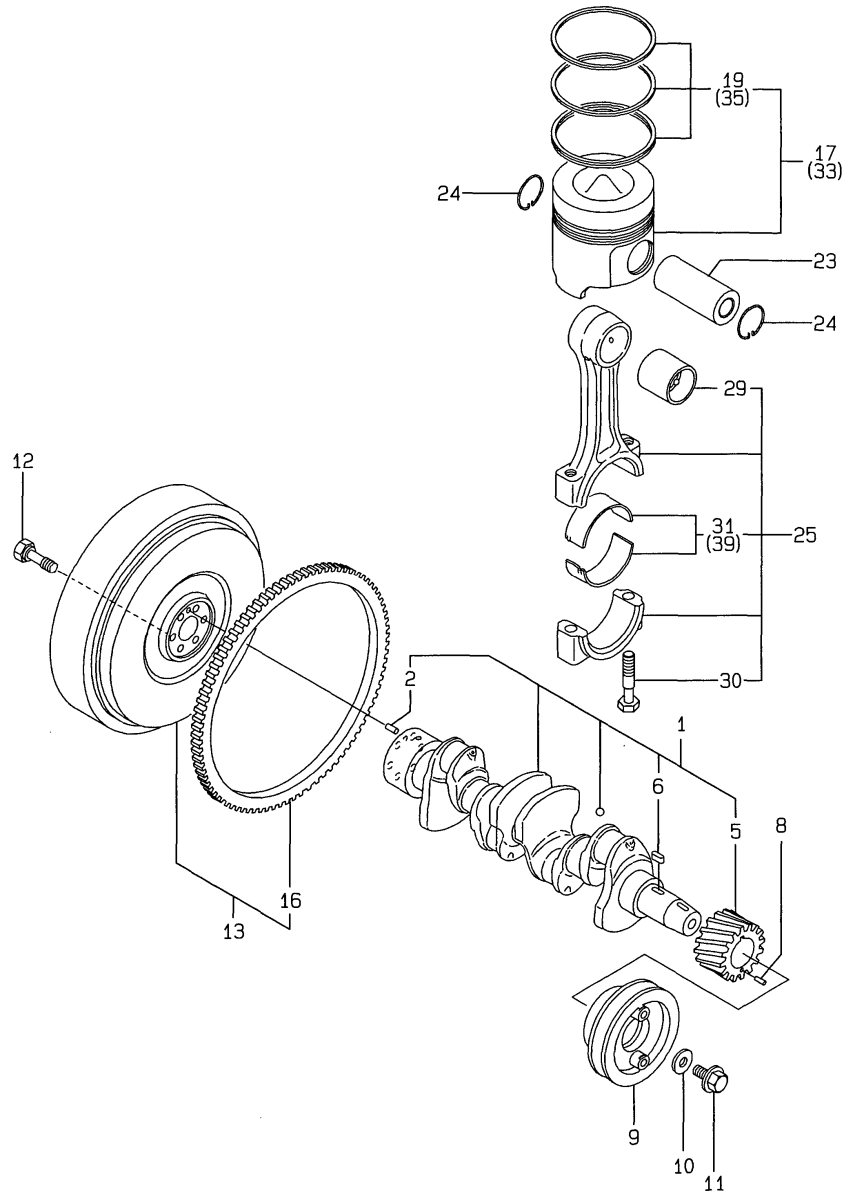


No.	Lev.	Parts No.	Description	Q'ty						I	R
				(A)	(B)	(C)	(D)	(E)	(F)		
1	1	129150-14200	TAPPET	8	8						
2	1	129150-14400	ROD, PUSH L=178	8	8						
3	1	729402-14580	CAMSHAFT ASSY	1	1						
4	2	129150-02450	BEARING, THRUST	1	1						
7	2	129150-14101	GEAR, CAMSHAFT	1	1						
8	2	22512-070140	KEY, 7X 14	1	1						
9	1	129100-25061	SHAFT, IDLE	1	1						
10	1	129150-25101	GEAR ASSY, IDLE	1	1						
13	2	129150-25920	BUSH, IDLE GEAR	1	1						1
14	1	26106-080452	BOLT, M8X 45 PLATED	2	2						
15	1	129100-25900	GEAR, PUMP	1	1						
16	1	22217-120000	WASHER, SPRING 12	1	1						
17	1	26716-120002	NUT, M12	1	1						
18	1	26106-080162	BOLT, M8X 16 PLATED	2	2						

Remarks
(1) REPAIR PART.

Fig.62. CRANKSHAFT & PISTON

62. CRANKSHAFT & PISTON



(A)=4TNE84-GB2
(B)=4TNE84-GB2S
(C)=

(D)=
(E)=
(F)=

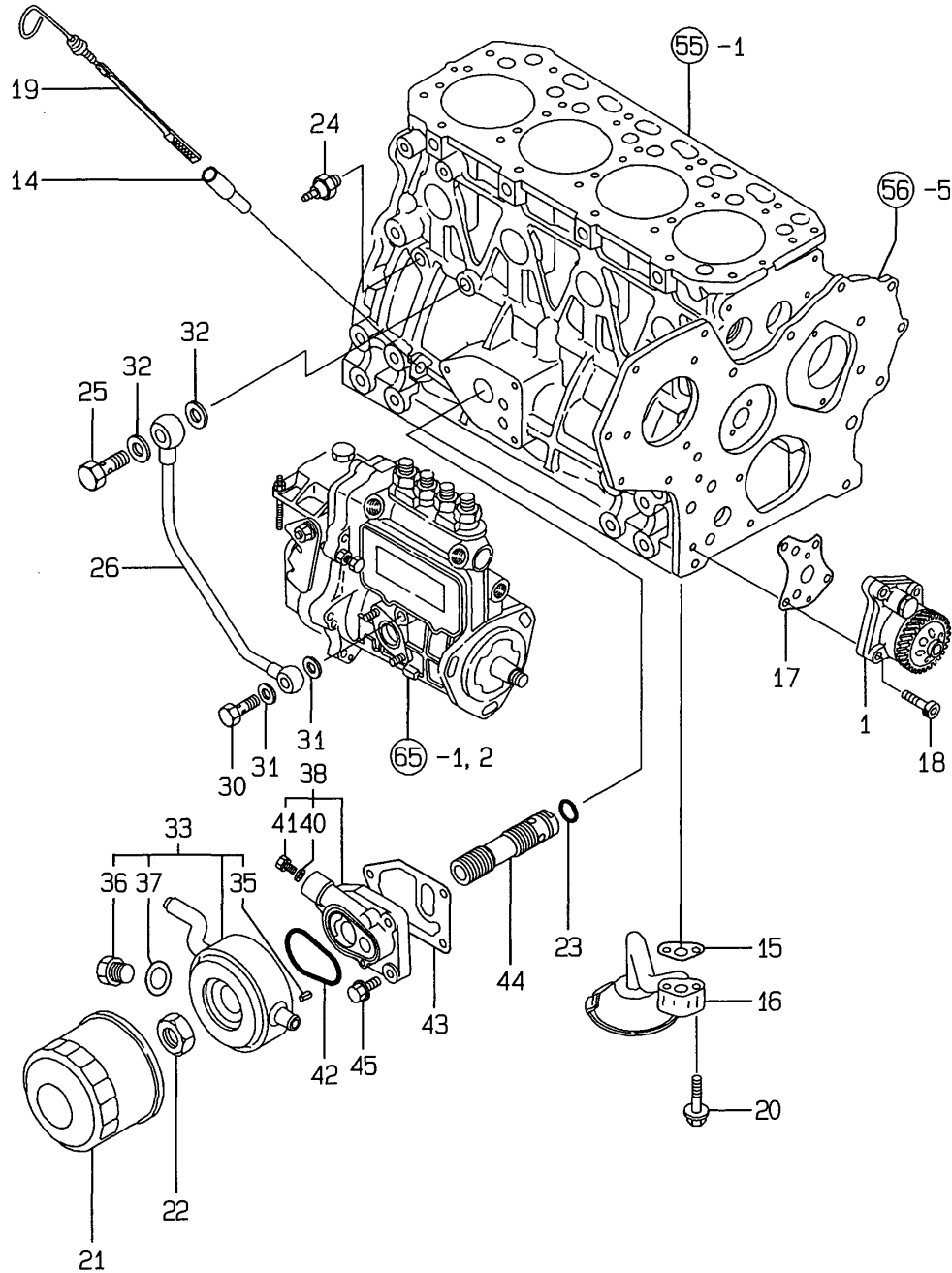
No.	Lev.	Parts No.	Description	Q'ty						I	R
				(A)	(B)	(C)	(D)	(E)	(F)		
1	1	129407-21000	CRANKSHAFT ASSY	1	1						
2	2	129100-01580	PIN, M8X16	1	1						
5	2	129150-21200	GEAR, CRANKSHAFT	1	1						
6	2	22512-070140	KEY, 7X 14	1	1						
8	1	22351-040010	PIN, SPRING 4.0X10	1	1						
9	1	171301-21650	V-PULLEY	1	1						
10	1	129795-21661	WASHER	1	1						
11	1	121850-21680	BOLT	1	1						
12	1	121111-21501	BOLT, FLYWHEEL	6	6						
13	1	171420-21580	FLYWHEEL ASSY	1	1						
16	2	119865-21600	GEAR, RING	1	1						
17	1	129002-22090	PISTON ASSY	4	4						
19	2	129002-22510	RING SET, PISTON	4	4						
23	1	129202-22300	PIN, PISTON D26 L70	4	4						
24	1	22252-000260	RING, 26	8	8						
25	1	729402-23100	ROD ASSY, CONNECTING	4	4						
29	2	129100-23910	BEARING, PISTON PIN	4	4						1
30	2	121550-23200	BOLT, CONNECTING ROD	8	8						
31	2	129150-23600	BEARING, CRANK PIN	4	4						
33	1	129002-22900	PISTON ASSY, 0.25 OS	4	4						2
35	2	129002-22950	RING SET, 0.25 OS	4	4						2
39	1	129150-23610	BEARING, 0.25 US	4	4						3

Remarks

- (1) REPAIR PART.
- (2) OVER-SIZE(O.S=0.25)PART.
- (3) UNDER-SIZE(U.S=0.25)PART.

Fig.63. LUB. OIL SYSTEM

63.LUB.OIL SYSTEM



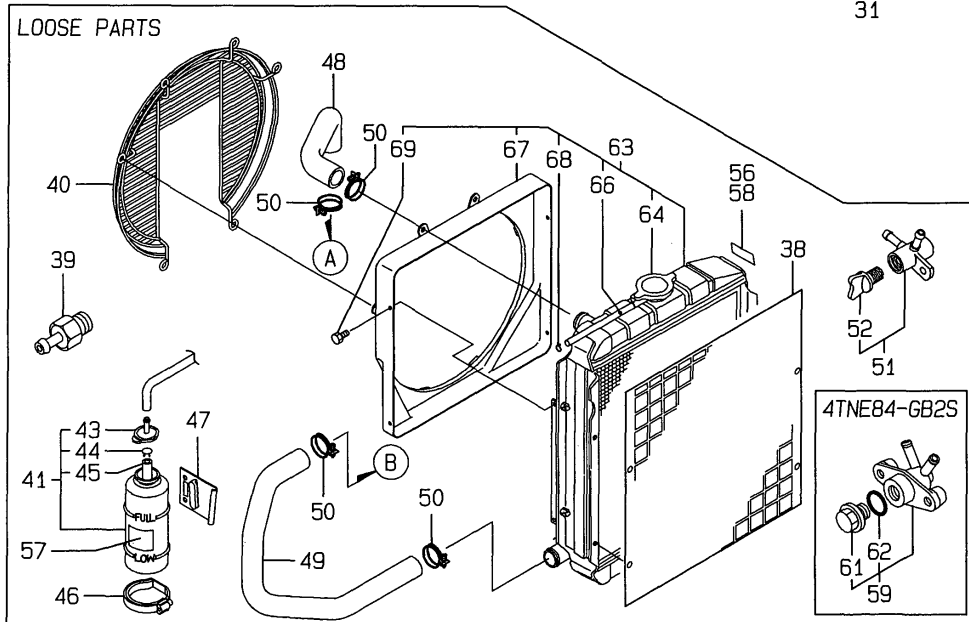
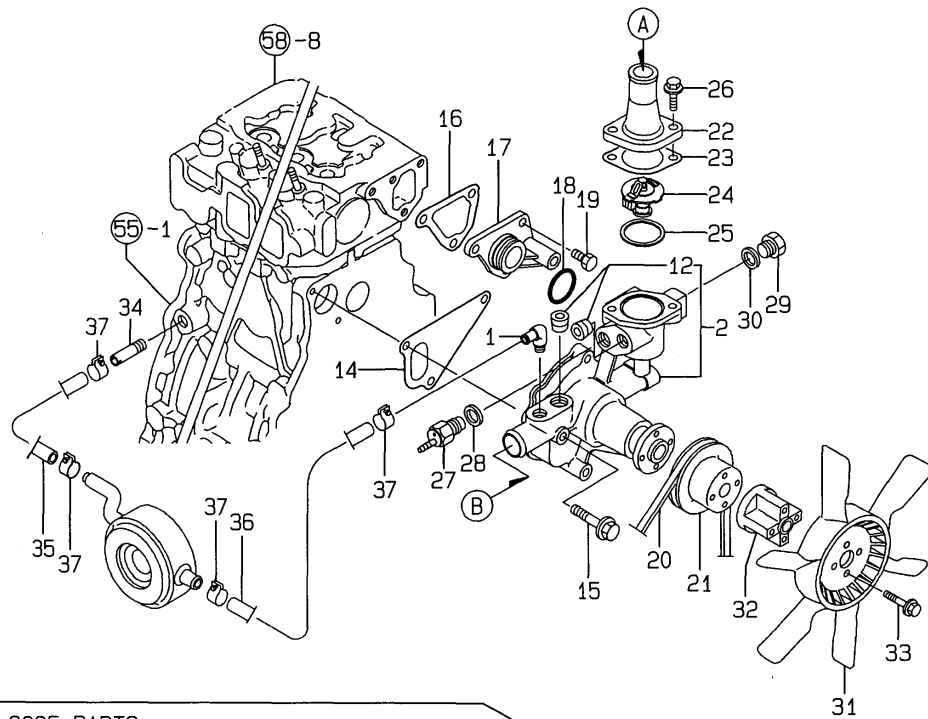
(A)=4TNE84-GB2
(B)=4TNE84-GB2S
(C)=

(D)=
(E)=
(F)=

No.	Lev.	Parts No.	Description	Qty						I	R
				(A)	(B)	(C)	(D)	(E)	(F)		
1	1	129407-32000	PUMP ASSY, OIL	1	1						
14	1	121520-34810	GUIDE, DIPSTICK	1	1						
15	1	129150-35041	GASKET	1	1						
16	1	129436-35091	PIPE ASSY, OIL INLET	1	1						
17	1	129150-32020	GASKET, PUMP	1	1						
18	1	26450-060252	BOLT, M6X 25	4	4						
19	1	171420-34820	DIPSTICK, OIL	1	1						
20	1	26106-080352	BOLT, M8X 35 PLATED	2	2						
21	1	129150-35151	FILTER, D80XL80	1	1						
22	1	129150-35350	NUT	1	1						
23	1	24311-000160	O-RING, 1AP16.0	1	1						
24	1	124160-39450	SWITCH, 0.5KG	1	1						
25	1	124160-39140	BOLT, PIPE JOINT M10	1	1						
26	1	129550-39450	PIPE ASSY, OIL	1	1						
30	1	124550-59820	BOLT, PIPE JOINT M8	1	1						
31	1	22190-080002	WASHER, SEAL 6	2	2						
32	1	23414-100000	GASKET, 10X1.0	2	2						
33	1	129012-33000	COOLER ASSY, OIL	1	1						
35	2	129120-33040	PIN	2	2						
36	2	129120-33051	PLUG, DRAIN	1	1						
37	2	129120-33060	GASKET	1	1						
38	1	129120-35001	BRACKET ASSY	1	1						
40	2	23414-100000	GASKET, 10X1.0	1	1						
41	2	23881-100002	PLUG, 10	1	1						
42	1	129120-35110	GASKET	1	1						
43	1	129120-35121	GASKET	1	1						
44	1	129407-35300	BOLT, FILTER	1	1						
45	1	26106-080252	BOLT, M8X 25 PLATED	3	3						

Fig.64. COOLING WATER SYSTEM

64.COOLING WATER SYSTEM



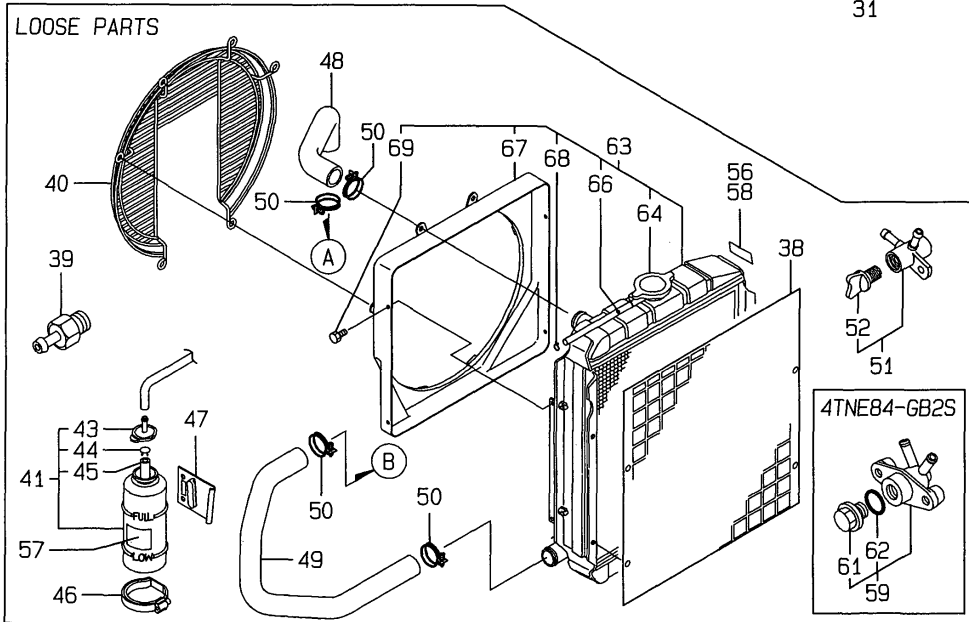
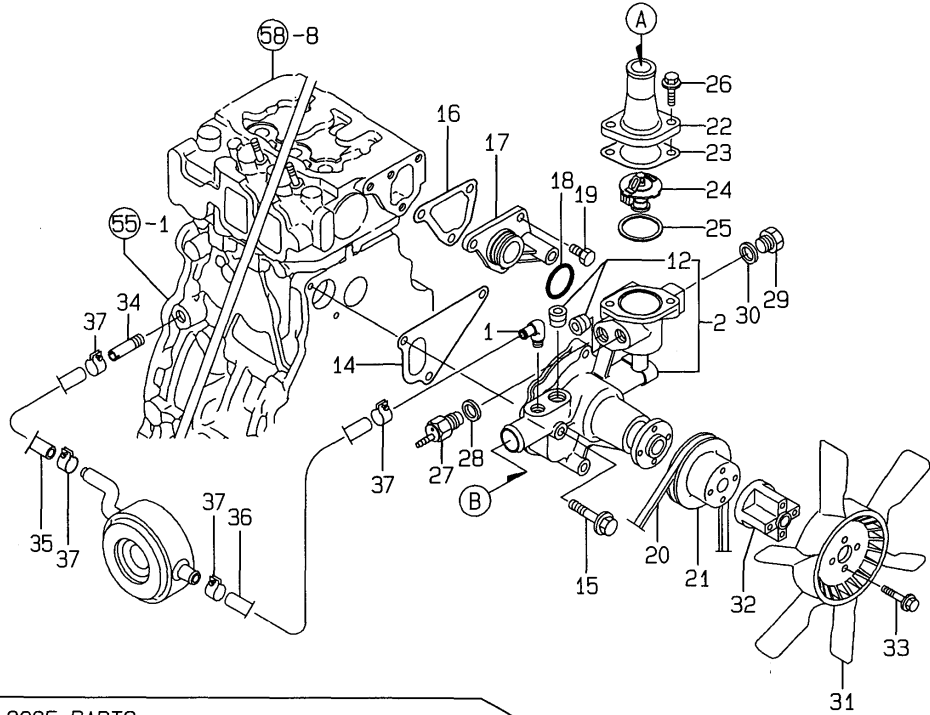
(A)=4TNE84-GB2
(B)=4TNE84-GB2S
(C)=

(D)=
(E)=
(F)=

No.	Lev.	Parts No.	Description	Q'ty						I	R
				(A)	(B)	(C)	(D)	(E)	(F)		
1	1	129103-49301	ELBOW, PT1/4	1	1						
2	1	129001-42002	PUMP ASSY, WATER	1	1						
12	2	23871-030000	PLUG, R03	2	2						
14	1	129100-42020	GASKET, WATER PUMP	1	1						
15	1	26106-080602	BOLT, M8X 60 PLATED	3	3						
16	1	129100-49840	GASKET	1	1						
17	1	129001-42040	JOINT	1	1						
18	1	24321-000300	O-RING, 1AG30.0	1	1						
19	1	26106-080162	BOLT, M8X 16 PLATED	3	3						
20	1	25132-003800	V-BELT, A38	1	1						
21	1	129403-42380	V-PULLEY, D=110	1	1						
22	1	129350-49560	COVER, THERMOSTAT	1	1						
23	1	129795-49551	GASKET	1	1						
24	1	129155-49800	THERMOSTAT, 71	1	1						
25	1	129150-49811	GASKET, THERMOSTAT	1	1						
26	1	26106-080202	BOLT, M8X 20 PLATED	2	2						
27	1	121250-44901	SWITCH, 110	1	1						
28	1	124465-44950	GASKET, 16	1	1						
29	1	121450-42450	PLUG, M16	1	1						
30	1	124465-44950	GASKET, 16	1	1						
31	1	129403-44740	FAN, COOLING 370	1	1						
32	1	171353-44760	SPACER, FAN	1	1						
33	1	26106-060352	BOLT, M6X 35 PLATED	4	4						
34	1	129122-44480	JOINT	1	1						
35	1	129012-49030	HOSE, WATER	1	1						
36	1	129403-49050	PIPE, WATER	1	1						
37	1	23000-022000	CLAMP, 22	4	4						
38	1	129411-44590	PROTECTOR	1							
39	1	129137-49100	JOINT	1	1						
40	1	129420-44560	PROTECTOR, FAN	1	1						
41	1	124450-44510	TANK ASSY, SUB	1	1						
43	2	124450-44530	CAP	1	1						
44	2	124450-44560	RETAINER	1	1						
45	2	23061-070230	PIPE, 7X 230	1	1						
46	1	124450-44550	BAND	1	1						
47	1	121256-44600	BRACKET, SUB TANK	1	1						
48	1	171420-49010	PIPE, WATER	1	1						
49	1	171420-49020	PIPE, WATER	1	1						
50	1	23010-038000	CLAMP, 38	4	4						
51	1	129150-49100	COCK ASSY, 3-WAY	1							
52	2	129150-49080	COCK, DRAIN	1							
56	1	124764-44800	LABEL, RADIATOR	1	1						
57	1	124764-44810	LABEL, SUB TANK	1	1						
58	1	121400-44910	LABEL, RADIATOR	1	1						
59	1	121450-49110	COCK ASSY, 3-WAY	1							
61	2	121250-49121	PLUG, DRAIN	1							
62	2	24311-000160	O-RING, 1AP16.0	1	1						
63	1	129408-44500	RADIATOR	1	1						
64	2	119259-44570	CAP, RADIATOR	1	1						
66	2	129132-44530	HOSE, RUBBER	1	1						
67	2	129420-44550	SHROUD ASSY	1	1						

Fig.64. COOLING WATER SYSTEM

64.COOLING WATER SYSTEM



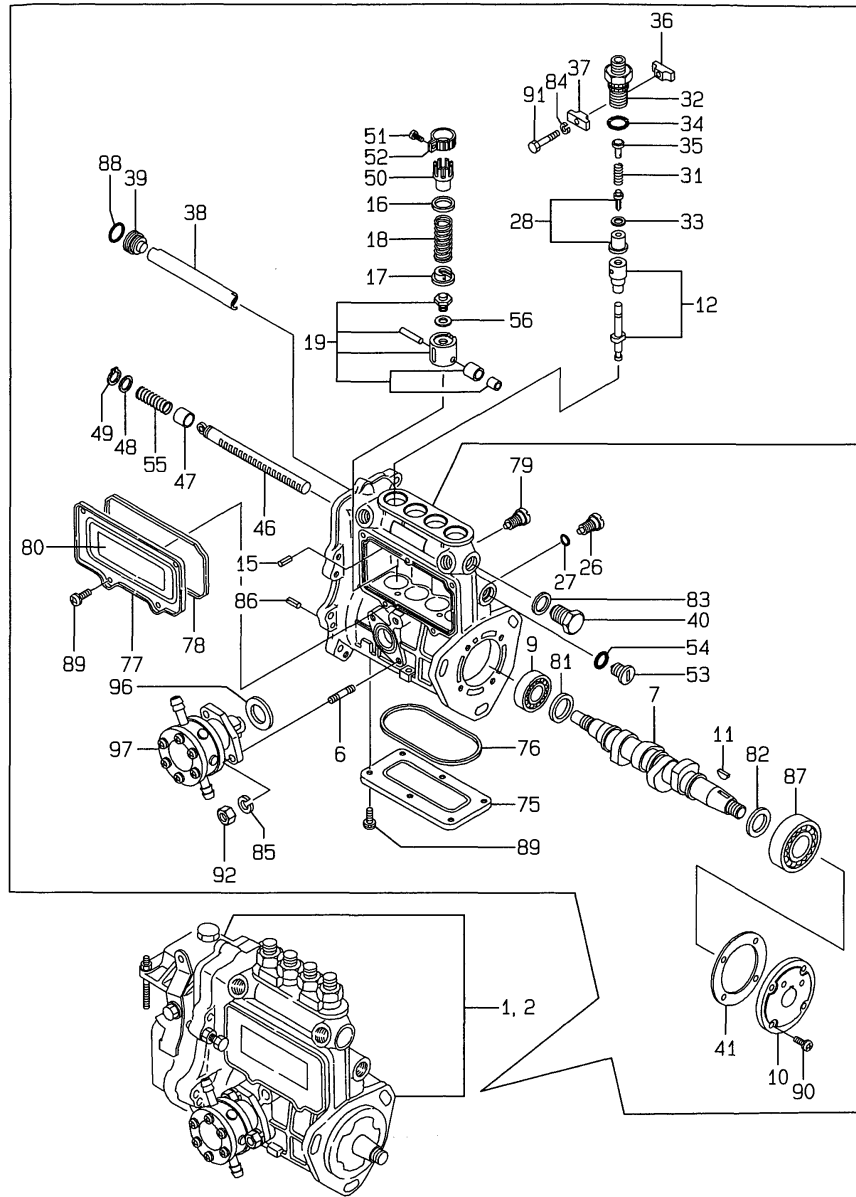
(A)=4TNE84-GB2
(B)=4TNE84-GB2S
(C)=

(D)=
(E)=
(F)=

No.	Lev.	Parts No.	Description	Q'ty						I	R
				(A)	(B)	(C)	(D)	(E)	(F)		
68	2	121250-44590	CLAMP	2	2						
69	2	26014-060122	BOLT, M6X 12	4	4						

Fig.65. FUEL INJECTION PUMP

65.FUEL INJECTION PUMP



(A)=4TNE84-GB2
(B)=4TNE84-GB2S
(C)=

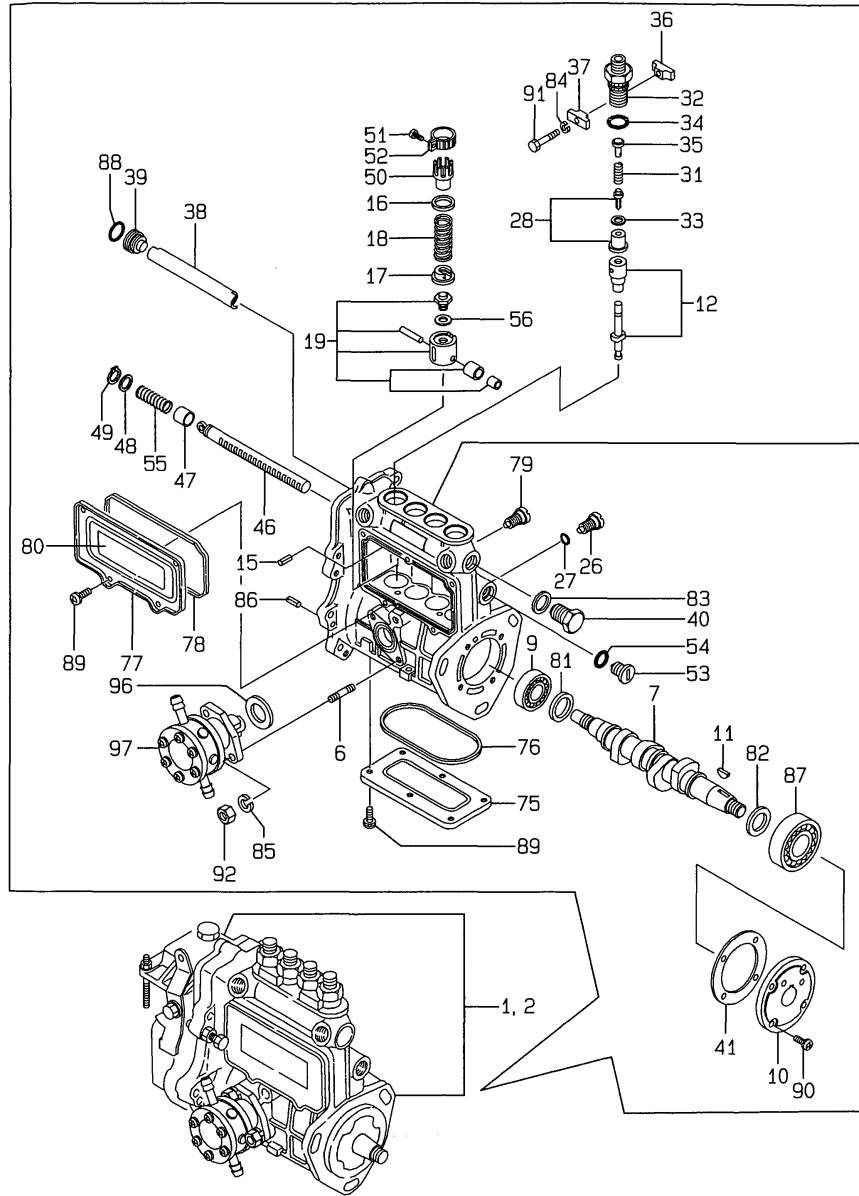
(D)=
(E)=
(F)=

No.	Lev.	Parts No.	Description	Q'ty						I	R
				(A)	(B)	(C)	(D)	(E)	(F)		
1	1	729408-51400	PUMP ASSY, INJECTION	1							1
2	1	729608-51400	PUMP ASSY, INJECTION		1						1
6	2	129155-51020	STUD	2	2						
7	2	129470-51040	CAMSHAFT	1	1						
9	2	129155-51050	BEARING, 17BM001D	2	2						
10	2	129155-51060	SUPPORT, CAMSHAFT	1	1						
11	2	122710-51090	KEY	1	1						
12	2	129412-51200	PLUNGER ASSY	4	4						
15	2	129155-51140	PIN	4	4						
16	2	174307-51170	RETAINER, SPRING A	4	4						
17	2	129155-51180	RETAINER, SPRING	4	4						
18	2	124950-51190	SPRING, PLUNGER	4	4						
19	2	129155-51200	TAPPET ASSY	4	4						
26	2	129155-51270	STOPPER, TAPPET	4	4						
27	2	129155-51280	O-RING, S6	4	4						
28	2	105300-51300	VALVE ASSY, DELIVERY	4	4						
31	2	129155-51320	SPRING, DELIVERY	4	4						
32	2	129155-51340	RETAINER	4	4						
33	2	124550-51350	GASKET, DELIVERY	4	4						
34	2	124550-51370	O-RING	4	4						
35	2	129155-51370	STOPPER, VALVE	4	4						
36	2	129155-51380	STOPPER	2	2						
37	2	129155-51390	STOPPER	2	2						
38	2	129555-51400	DEFLECTOR	1	1						
39	2	129155-51410	BOLT	1	1						
40	2	129155-51420	PLUG, M16	1	1						
41	2	129155-51450	SHIM SET, ADJUSTING	1	1						
46	2	129555-51500	RACK, CONTROL	1	1						
47	2	129155-51521	BUSH, RACK	1	1						
48	2	129155-51530	SPACER	1	1						
49	2	129155-51540	CIRCLIP	1	1						
50	2	129155-51550	PINION, CONTROL	4	4						
51	2	122117-51560	SCREW	4	4						
52	2	174307-51560	PINION	4	4						
53	2	129155-51570	PLUG, M12	1	1						
54	2	129155-51580	O-RING	1	1						
55	2	129155-51591	SPRING, RACK	1	1						
56	2	129155-51600	SHIM SET, ADJUSTING	4	4						
75	2	129555-51700	COVER	1	1						
76	2	129555-51710	GASKET	1	1						
77	2	129555-51750	COVER	1	1						
78	2	129555-51760	GASKET	1	1						
79	2	129155-51790	STOOPER, RACK	1	1						
80	2	129156-51910	LABEL, CAUTION	1	1						
81	2	129155-51930	SPACER, T=3.25	1	1						
82	2	129155-51940	SPACER, T=1.5	1	1						
83	2	22190-160002	WASHER, SEAL 16	1	1						
84	2	22217-050000	WASHER, SPRING 5	2	2						
85	2	22217-060000	WASHER, SPRING 6	2	2						
86	2	22351-050010	PIN, SPRING 5.0X10	2	2						
87	2	24101-063034	BEARING, BALL 6303	1	1						

Remarks
(1)GOVERNOR ASSY(FIG.66)IS
INCORPORATED IN THIS FUEL
INJECTION PUMP ASSY(REF.NO.1,2).

Fig.65. FUEL INJECTION PUMP

65.FUEL INJECTION PUMP



(A)=4TNE84-GB2
(B)=4TNE84-GB2S
(C)=

(D)=
(E)=
(F)=

No.	Lev.	Parts No.	Description	Q'ty						I	R
				(A)	(B)	(C)	(D)	(E)	(F)		
88	2	24341-000160	O-RING, 1AS16.0	1	1						
89	2	26022-050102	SCREW, M5X10	11	11						
90	2	26022-060162	SCREW, M6X16	4	4						
91	2	26116-050302	BOLT, M5X 30 PLATED	2	2						
92	2	26716-060002	NUT, M6	2	2						
96	2	129155-52050	GASKET	1	1						
97	2	129100-52100	PUMP ASSY, FUEL FEED	1	1						

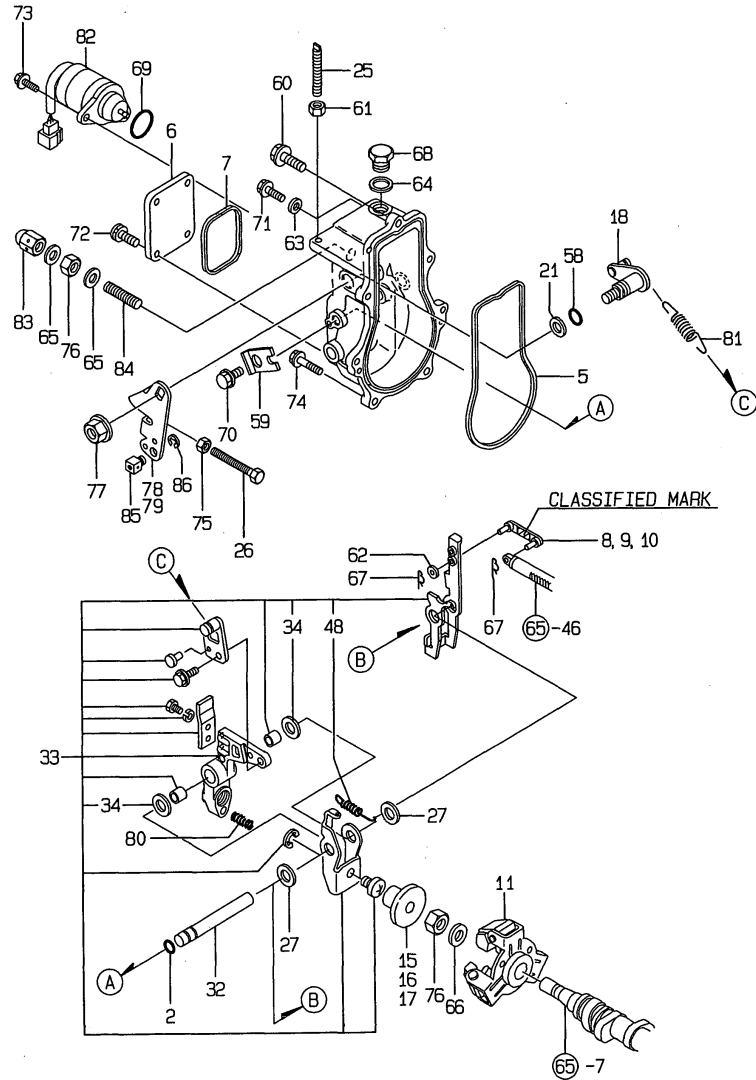
Remarks
(1)GOVERNOR ASSY(FIG.66)IS
INCORPORATED IN THIS FUEL
INJECTION PUMP ASSY(REF.NO.1,2).

Fig.66. GOVERNOR

(A)=4TNE84-GB2
(B)=4TNE84-GB2S
(C)=

(D)=
(E)=
(F)=

66. GOVERNOR



No.	Lev.	Parts No.	Description	Q'ty						I	R
				(A)	(B)	(C)	(D)	(E)	(F)		
2	2	129155-51280	O-RING, S6	1	1						
5	2	129052-61050	GASKET	1	1						
6	2	129052-61060	COVER, GOVERNOR CASE	1	1						
7	2	129052-61070	GASKET	1	1						
8	2	129155-61120	LINK, L=30 MARK 0	1	1						1
9	2	129155-61130	LINK, L=31 MARK 1	1	1						1
10	2	129155-61140	LINK, L=30.5 MARK 05	1	1						1
11	2	129155-61201	WEIGHT ASSY, GOVERNOR	1	1						
15	2	129155-61341	SLEEVE	1	1						2
16	2	129155-61350	SLEEVE, L=24.9	1	1						2
17	2	129155-61360	SLEEVE, L=25.2	1	1						2
18	2	129100-61400	SHAFT ASSY	1	1						
21	2	129155-61430	SPACER	1	1						
25	2	129155-61450	BOLT, LIMITER	1	1						
26	2	129155-61460	BOLT, IDLE	1	1						
27	2	129155-61480	SPACER ASSY	2	2						
32	2	129052-61390	SHAFT	1	1						
33	2	129412-61500	LEVER ASSY, GOVERNOR	1	1						
34	3	174307-51700	SHIM SET	2	2						
48	3	119843-61540	SPRING, SET	1	1						
58	2	129155-61830	O-RING, S10	1	1						
59	2	119660-61901	RETAINER, SHAFT	1	1						
60	2	129155-61950	BOLT	1	1						
61	2	124550-66370	NUT, M6	1	1						
62	2	22117-040000	WASHER, 4	1	1						
63	2	22190-060003	SEAL WASER 6	1	1						
64	2	22190-100002	WASHER, SEAL 10	1	1						
65	2	22190-120002	WASHER, SEAL 12	2	2						
66	2	22287-120000	WASHER, 12	1	1						
67	2	22372-040000	PIN, SNAP 4	2	2						
68	2	23887-100002	PLUG, 10	1	1						
69	2	24341-000280	O-RING, 1AS28.0	1	1						
69-1	2	158552-61900	O-RING	1	1						N
(A=EXXXXX) (B=EXXXXX)											
70	2	26106-060102	BOLT, M6X 10 PLATED	1	1						
71	2	26106-060102	BOLT, M6X 10 PLATED	1	1						
72	2	26106-060102	BOLT, M6X 10 PLATED	4	4						
73	2	26106-060142	BOLT, M6X 14 PLATED	2	2						
74	2	26106-060202	BOLT, M6X 20 PLATED	6	6						
75	2	26756-060002	NUT, LOCK M6	1	1						
76	2	26776-120002	NUT, LOCK M12	2	2						
77	1	26366-080002	NUT, M8	1	1						
78	1	171488-61440	LEVER, CONTROL	1							
79	1	129100-61440	LEVER, CONTROL		1						
80	1	129500-61650	SPRING, FUEL CONTROL	1	1						
81	1	129500-61700	SPRING, GOVERNOR	1	1						
82	1	119653-77950	SOLENOID, STOP	1	1						
83	1	26687-120002	NUT, CAP M12	1	1						
84	1	129155-61470	BOLT, CONTROL	1	1						
85	1	124756-67510	RETAINER	1	1						
86	1	22272-000070	RING, E- 7	1	1						

Remarks

(1) SELECTIVE PARTS: CERTAIN THE CLASSIFICATION MARK, THEN PLACE YOUR ORDER. (REFER TO ILLUSTRATION).

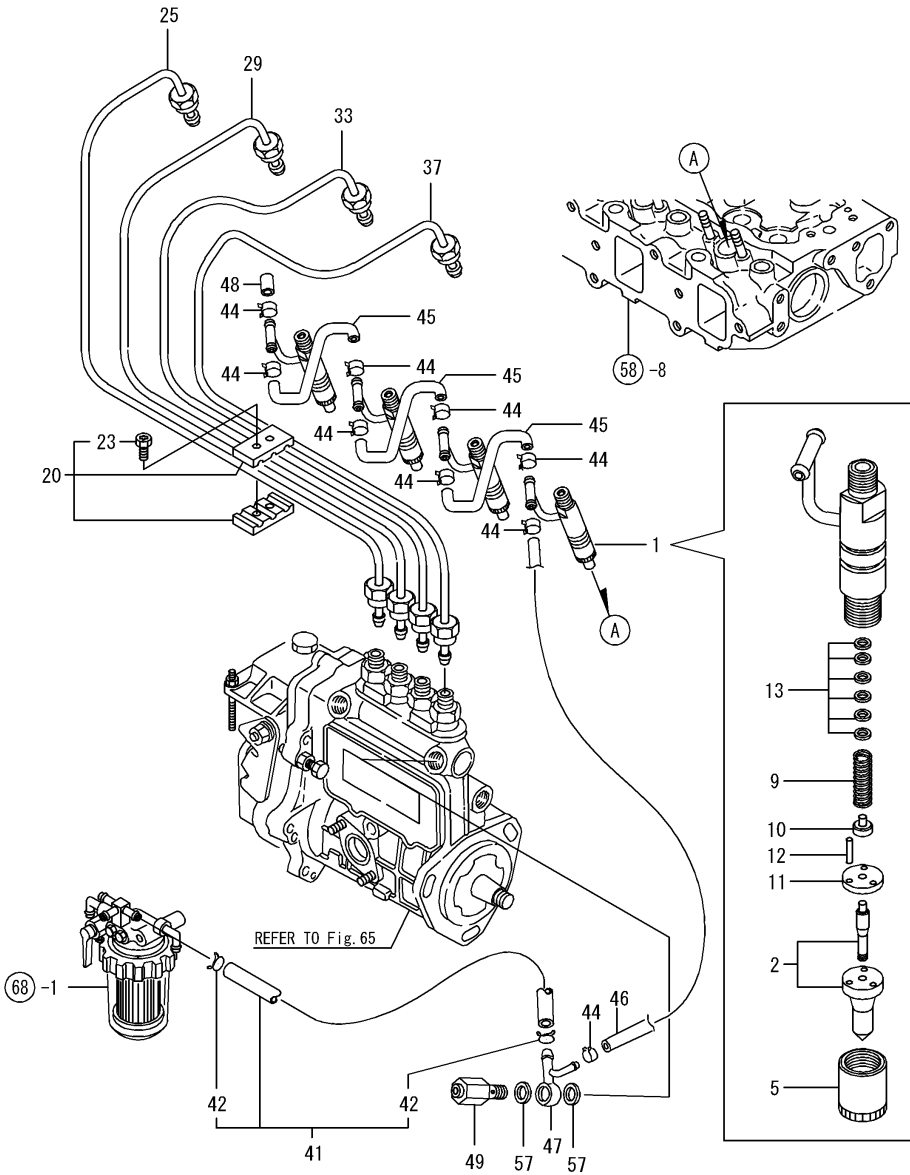
(2) SELECTIVE PARTS.

* THIS FIGURE (GOVERNOR ASSY) IS INCORPORATED IN THE FUEL INJECTION PUMP ASSY (FIG. 65).

Fig.67. FUEL INJECTION VALVE

(A)=4TNE84-GB2
 (B)=4TNE84-GB2S
 (C)=

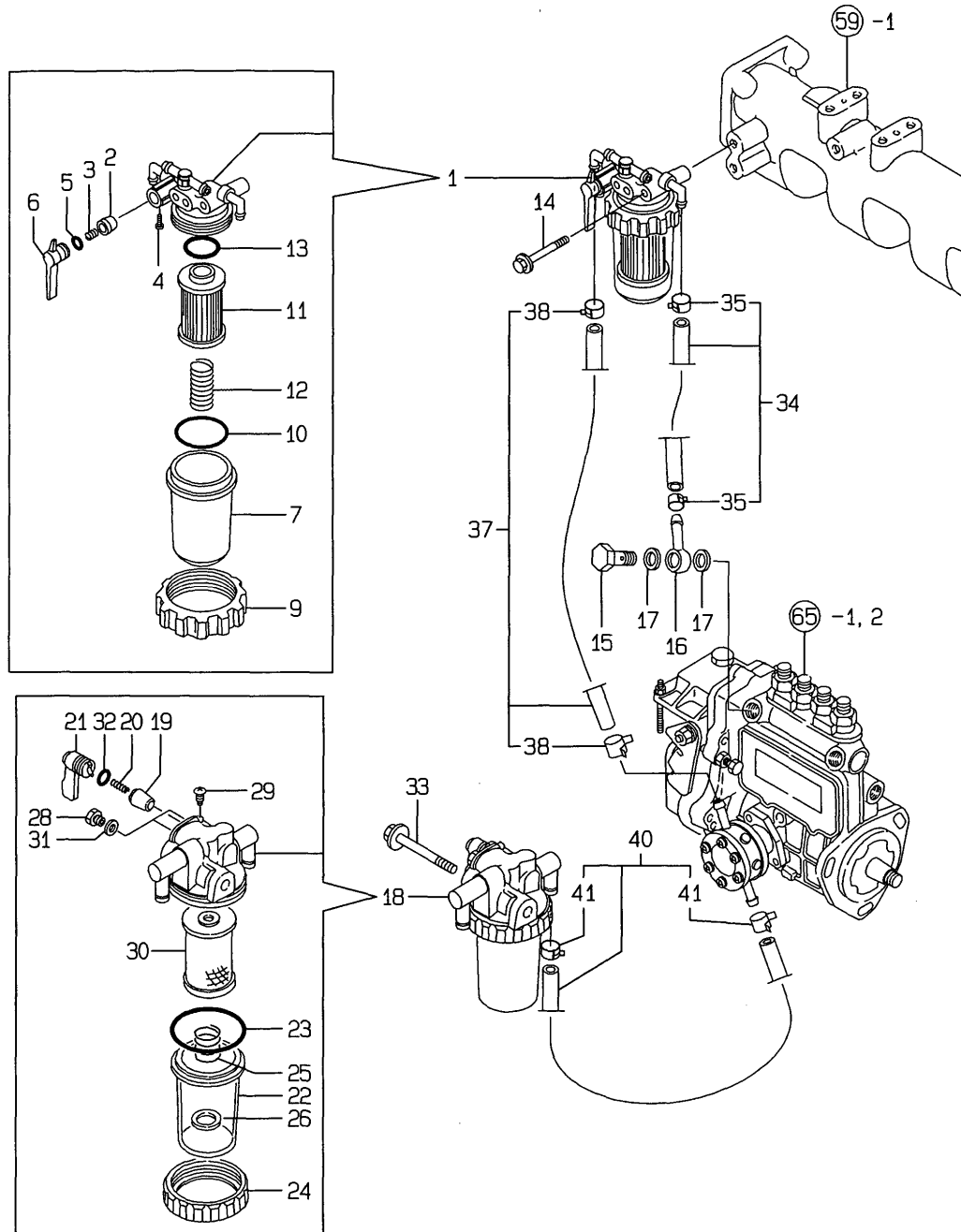
(D)=
 (E)=
 (F)=



No.	Lev.	Parts No.	Description	Q'ty						I	R
				(A)	(B)	(C)	(D)	(E)	(F)		
1	1	729100-53100	VALVE ASSY,INJECTION	4	4						
2	2	129100-53000	VALVE ASSY,INJECTION	4	4						
5	2	114250-53080	NUT, NOZZLE D16.95	4	4						
9	2	114250-53120	SPRING, NOZZLE	4	4						
10	2	114250-53130	SEAT, SPRING	4	4						
11	2	114250-53140	PLATE	4	4						
12	2	114250-53210	PIN	8	8						
13	2	114250-53400	SHIM SET	4	4						
20	1	129150-59120	RETAINER, PIPE	2	2						
23	2	129150-59131	BOLT, M4X14	4	4						
25	1	129400-59810	PIPE ASSY, INJECTION	1	1						
29	1	129400-59820	PIPE ASSY, INJECTION	1	1						
33	1	129400-59830	PIPE ASSY, INJECTION	1	1						
37	1	129400-59840	PIPE ASSY, INJECTION	1	1						
41	1	129210-59150	PIPE ASSY, FUEL	1	1						
42	2	124766-59050	CLIP, HOSE 12	2	2						
44	1	124066-59100	CLIP, HOSE 8	9	9						
45	1	121250-59550	PIPE, FUEL D8X120	3	3						
46	1	119840-59560	PIPE, FUEL RETURN	1	1						
47	1	119840-59570	JOINT	1	1						
48	1	129150-59580	CAP	1	1						
49	1	129100-59951	VALVE ASSY, CHECK	1	1						
57	1	23414-120000	GASKET, 12X1.0	2	2						

Fig.68. FUEL LINE

68.FUEL FILTER



(A)=4TNE84-GB2
(B)=4TNE84-GB2S
(C)=

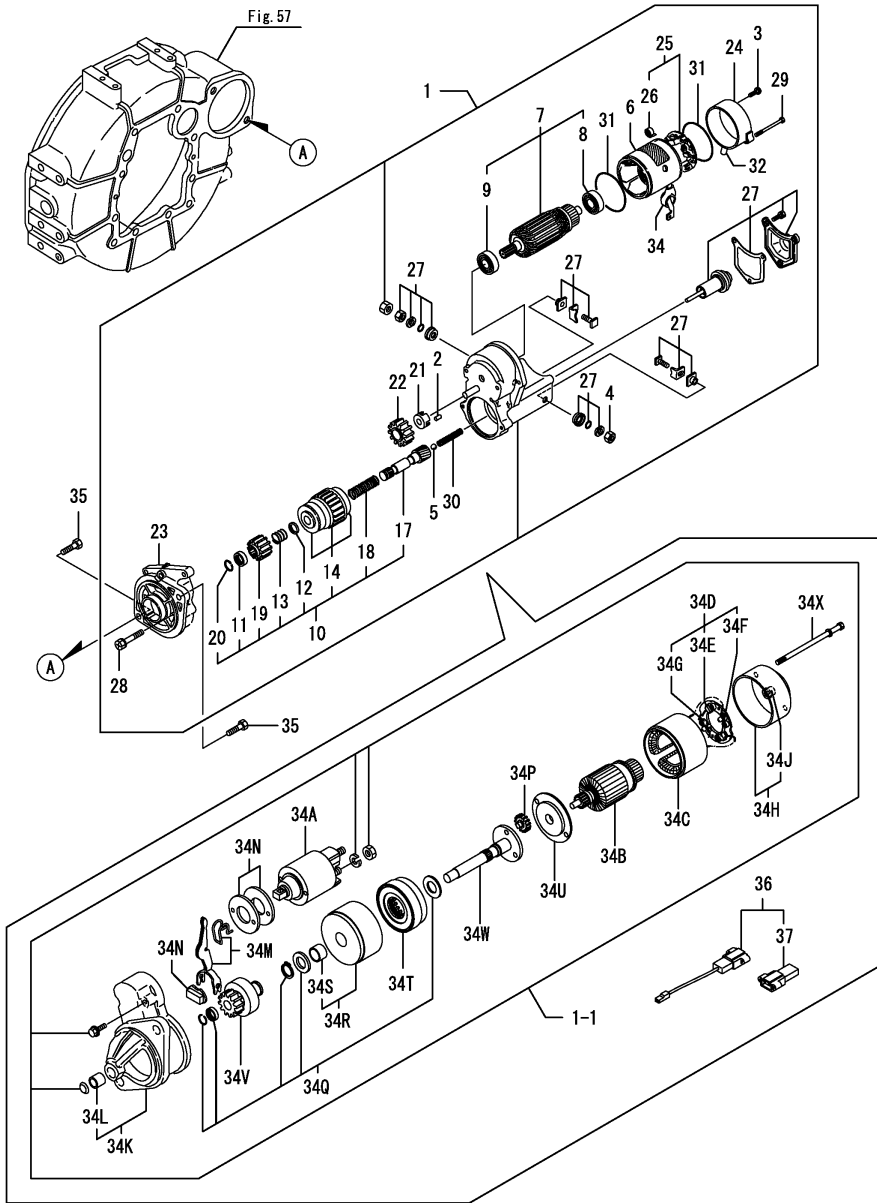
(D)=
(E)=
(F)=

No.	Lev.	Parts No.	Description	Q'ty						I	R
				(A)	(B)	(C)	(D)	(E)	(F)		
1	1	129052-55620	FILTER ASSY, FUEL	1	1						
2	2	104200-55321	VALVE, TAPER	1	1						
3	2	104200-55330	SPRING, VALVE	1	1						
4	2	104200-55750	SCREW, M4	1	1						
5	2	24311-240100	O-RING, 1AP10A	1	1						
6	2	129100-55670	LEVER	1	1						
7	2	129100-55680	CUP, STRAINER	1	1						
9	2	129100-55690	RING, RETAINING	1	1						
10	2	24321-000650	O-RING, 1AG65.0	1	1						
11	2	129100-55650	ELEMENT	1	1						
12	2	129100-55700	SPRING	1	1						
13	2	24311-000160	O-RING, 1AP16.0	1	1						
14	1	26014-080702	BOLT, M8X 70	1	1						
15	1	103854-39140	BOLT, PIPE JOINT	1	1						
16	1	101304-59020	JOINT, PIPE 12	1	1						
17	1	22190-120002	WASHER, SEAL 12	2	2						
18	1	129335-55700	SEPARATOR ASSY,WATER	1	1						
19	2	104200-55321	VALVE, TAPER	1	1						
20	2	104200-55330	SPRING, VALVE	1	1						
21	2	104200-55341	HANDLE	1	1						
22	2	124064-55510	COVER	1	1						
23	2	102103-55520	O-RING	1	1						
24	2	110250-55610	RING, RETAINING	1	1						
25	2	121257-55720	SPRING	1	1						
26	2	121257-55731	FLOAT	1	1						
28	2	101720-55750	PLUG, 6	2	2						
29	2	104200-55750	SCREW, M4	1	1						
30	2	171081-55910	SCREEN	1	1						
31	2	23418-060000	GASKET, 6X1.0	2	2						
32	2	24311-240100	O-RING, 1AP10A	1	1						
33	1	26014-080702	BOLT, M8X 70	1	1						
34	1	129210-59040	PIPE ASSY, FUEL	1	1						
35	2	124766-59050	CLIP, HOSE 12	2	2						
37	1	129210-59150	PIPE ASSY, FUEL	1	1						
38	2	124766-59050	CLIP, HOSE 12	2	2						
40	1	129210-59200	PIPE ASSY, FUEL	1	1						
41	2	124766-59050	CLIP, HOSE 12	2	2						

Fig.69. STARTING MOTOR

(A)=4TNE84-GB2
(B)=4TNE84-GB2S
(C)=

(D)=
(E)=
(F)=



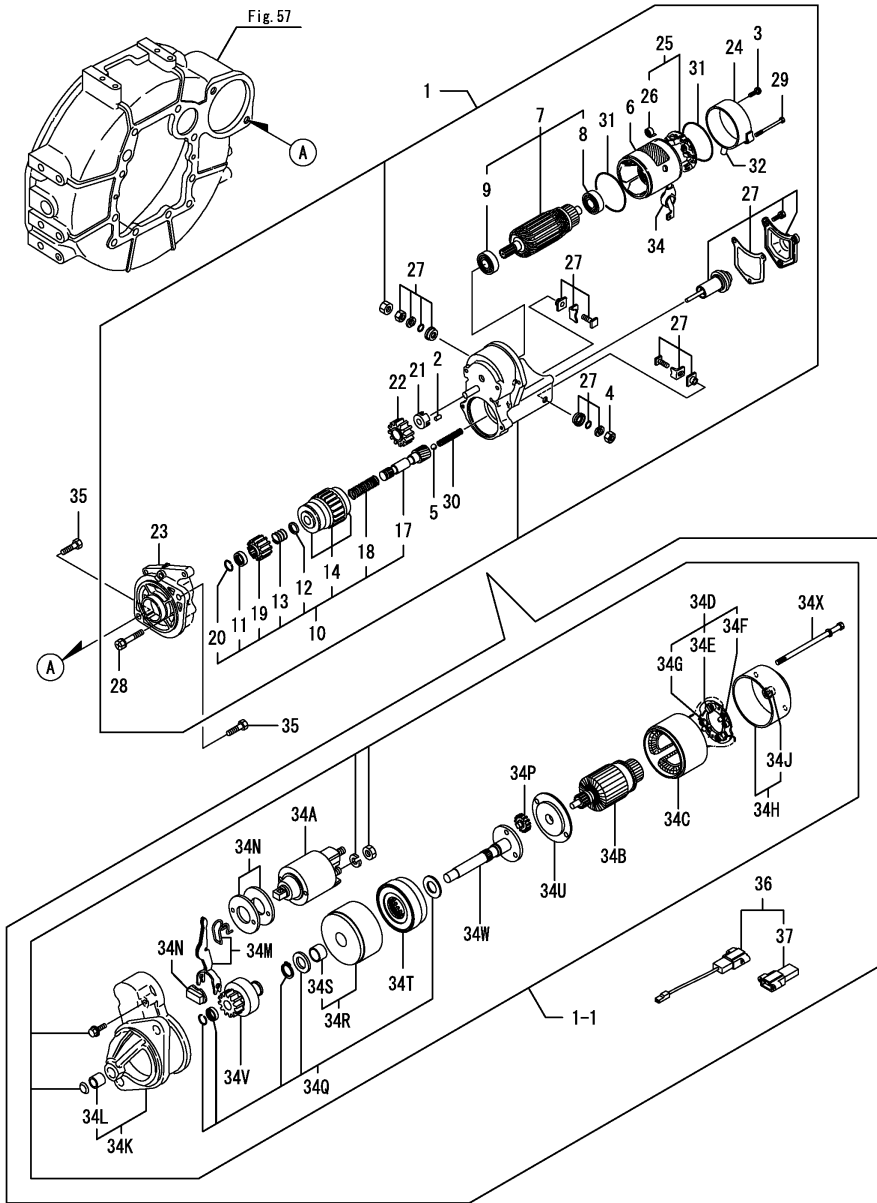
No.	Lev.	Parts No.	Description	Q'ty						I	R
				(A)	(B)	(C)	(D)	(E)	(F)		
1	1	129407-77010	STARTER, RA1.4	1	1						
1-1	1	129608-77010	STARTER, S114-817A	1	1						F 1
		(A=E32444) (B=E34080)									
2	2	X0283060061	ROLLER	5	5						Z
		(A=E32444) (B=E34080)									
3	2	X0289030010	SCREW	2	2						Z
		(A=E32444) (B=E34080)									
4	2	X9490561370	NUT	1	1						Z
		(A=E32444) (B=E34080)									
5	2	X9491200240	BALL	1	1						Z
		(A=E32444) (B=E34080)									
6	2	129407-77210	YOKE ASSY	1	1						Z
		(A=E32444) (B=E34080)									
7	2	129407-77220	ARMATURE ASSY	1	1						Z
		(A=E32444) (B=E34080)									
8	3	129129-77230	BEARING	1	1						Z
		(A=E32444) (B=E34080)									
9	3	129129-77240	BEARING	1	1						Z
		(A=E32444) (B=E34080)									
10	2	129407-77250	STARTER	1	1						Z
		(A=E32444) (B=E34080)									
11	3	X0280210230	NUT	1	1						Z
		(A=E32444) (B=E34080)									
12	3	X0283270140	RETAINER	1	1						Z
		(A=E32444) (B=E34080)									
13	3	129407-77410	SPRING	1	1						Z
		(A=E32444) (B=E34080)									
14	3	129407-77390	CLUTCH ASSY	1	1						Z
		(A=E32444) (B=E34080)									
17	3	129129-77400	SHAFT	1	1						Z
		(A=E32444) (B=E34080)									
18	3	129129-77410	SPRING, COIL	1	1						Z
		(A=E32444) (B=E34080)									
19	3	129129-77420	PINION, STARTER	1	1						Z
		(A=E32444) (B=E34080)									
20	3	129129-77430	RING	1	1						Z
		(A=E32444) (B=E34080)									
21	2	129129-77260	RETAINER	1	1						Z
		(A=E32444) (B=E34080)									
22	2	129129-77270	PINION	1	1						Z
		(A=E32444) (B=E34080)									
23	2	129407-77280	HOUSING	1	1						Z
		(A=E32444) (B=E34080)									
24	2	129129-77290	FRAME	1	1						Z
		(A=E32444) (B=E34080)									
25	2	129407-77300	HOLDER ASSY	1	1						Z
		(A=E32444) (B=E34080)									
26	3	X9491730461	SPRING	4	4						Z
		(A=E32444) (B=E34080)									
27	2	129407-77310	SWITCH ASSY	1	1						Z
		(A=E32444) (B=E34080)									

Remarks
(1) Ref.no.1-1 & 36 Interchangeable by set.

Fig.69. STARTING MOTOR

(A)=4TNE84-GB2
(B)=4TNE84-GB2S
(C)=

(D)=
(E)=
(F)=



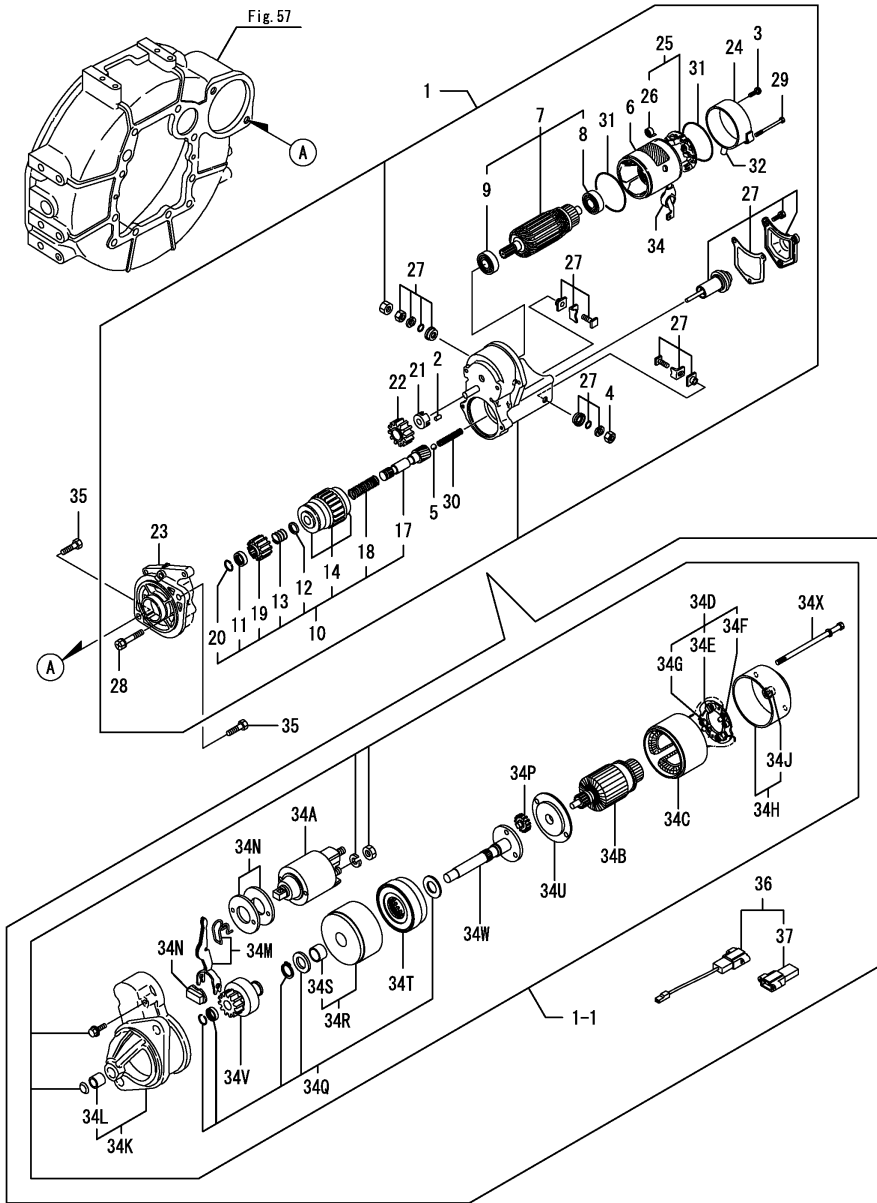
No.	Lev.	Parts No.	Description	Q'ty						I	R
				(A)	(B)	(C)	(D)	(E)	(F)		
28	2	129129-77320 (A=E32444) (B=E34080)	BOLT	2	2						Z
29	2	129407-77330 (A=E32444) (B=E34080)	BOLT	2	2						Z
30	2	129129-77340 (A=E32444) (B=E34080)	SPRING	1	1						Z
31	2	129129-77350 (A=E32444) (B=E34080)	O-RING	2	2						Z
32	2	129129-77361 (A=E32444) (B=E34080)	BUSH	1	1						Z
34	2	129129-77380 (A=E32444) (B=E34080)	CAP	1	1						Z
34A	2	129698-77020 (A=E32444) (B=E34080)	SWITCH ASSY	1	1						W
34B	2	129698-77101 (A=E32444) (B=E34080)	ARMATURE ASSY	1	1						W
34C	2	129608-77110 (A=E32444) (B=E34080)	YOKE ASSY	1	1						W
34D	2	129698-77120 (A=E32444) (B=E34080)	HOLDER ASSY, BRUSH	1	1						W
34E	3	129698-77140 (A=E32444) (B=E34080)	BRUSH SET	1	1						W
34F	3	129698-77130 (A=E32444) (B=E34080)	BRUSH	2	2						W
34G	3	129698-77150 (A=E32444) (B=E34080)	SPRING, BRUSH	4	4						W
34H	2	129698-77161 (A=E32444) (B=E34080)	COVER ASSY	1	1						W
34J	3	129698-77170 (A=E32444) (B=E34080)	BEARING	1	1						W
34K	2	129698-77260 (A=E32444) (B=E34080)	CASE ASSY	1	1						W
34L	3	X2114535200 (A=E32444) (B=E34080)	METAL, STARTER	1	1						W
34M	2	129698-77270 (A=E32444) (B=E34080)	LEVER SET, SHIFT	1	1						W
34N	2	129698-77280 (A=E32444) (B=E34080)	COVER KIT	1	1						W
34P	2	129698-77240 (A=E32444) (B=E34080)	GEAR	3	3						W
34Q	2	129698-77250 (A=E32444) (B=E34080)	WASHER SET	1	1						W
34R	2	129698-77180 (A=E32444) (B=E34080)	BRACKET	1	1						W
34S	3	129698-77190 (A=E32444) (B=E34080)	BRACKET	1	1						W
34T	2	129698-77200 (A=E32444) (B=E34080)	GEAR, INTERNAL	1	1						W
34U	2	129698-77210 (A=E32444) (B=E34080)	BRACKET	1	1						W
34V	2	129698-77220	PINION ASSY	1	1						W

Remarks
(1) Ref.no.1-1 & 36 Interchangeable by set.

Fig.69. STARTING MOTOR

(A)=4TNE84-GB2
(B)=4TNE84-GB2S
(C)=

(D)=
(E)=
(F)=

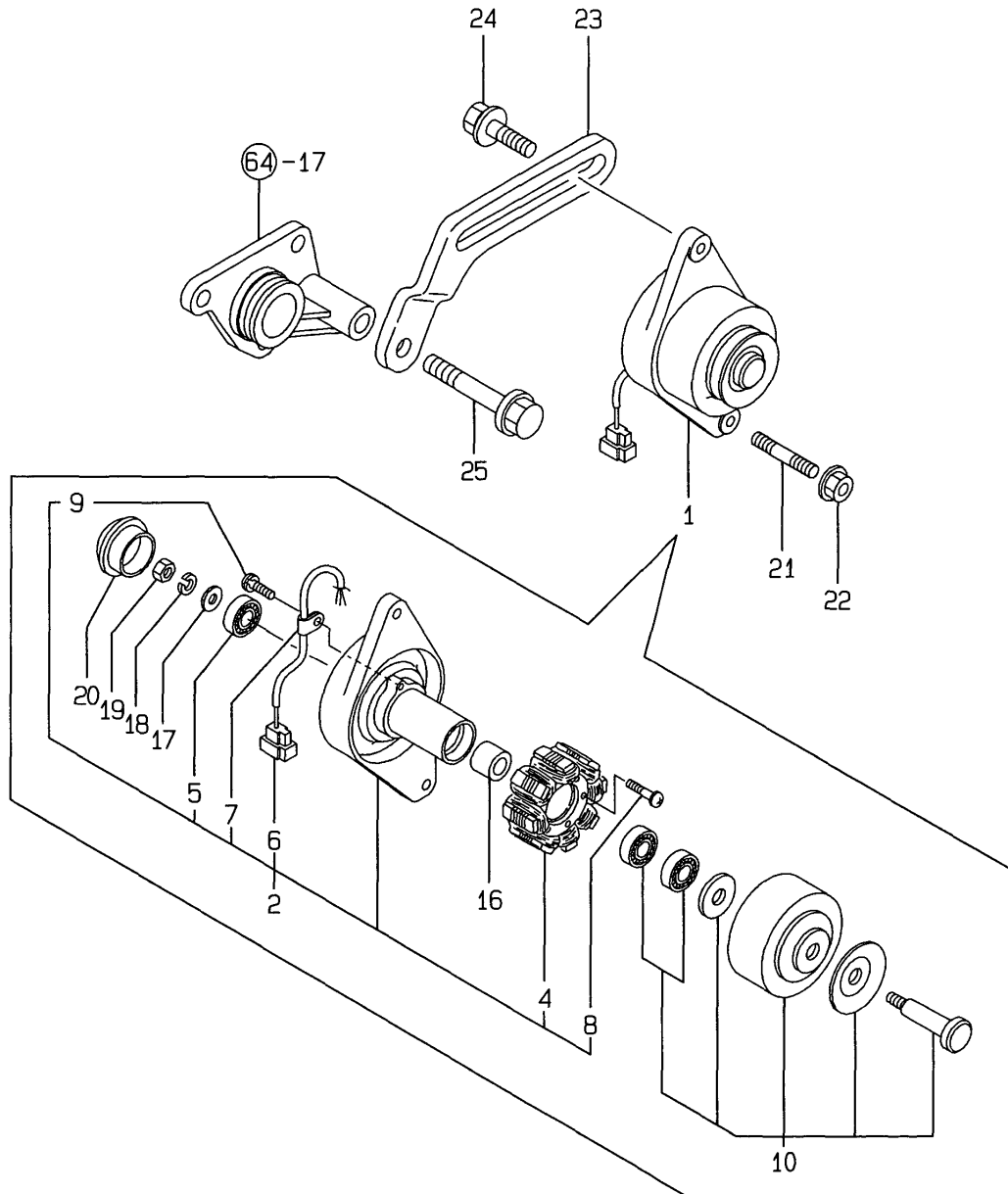


No.	Lev.	Parts No.	Description	Q'ty						I	R
				(A)	(B)	(C)	(D)	(E)	(F)		
34W	2	(A=E32444) (B=E34080) 129698-77230	SHAFT	1	1						W
		(A=E32444) (B=E34080)									
34X	2	124195-77770	BOLT, THROUGH	2	2						W
35	1	26116-120252	BOLT, M12X 25 PLATED	2	2						
36	1	129052-77951	CONNECTOR, STARTER	1	1						W 1
37	2	(A=E32444) (B=E34080) 129052-77960	HOUSING	1	1						W 1
		(A=E32444) (B=E34080)									

Remarks
(1) Ref.no.1-1 & 36 Interchangeable by set.

Fig.70. GENERATOR

70.GENERATOR



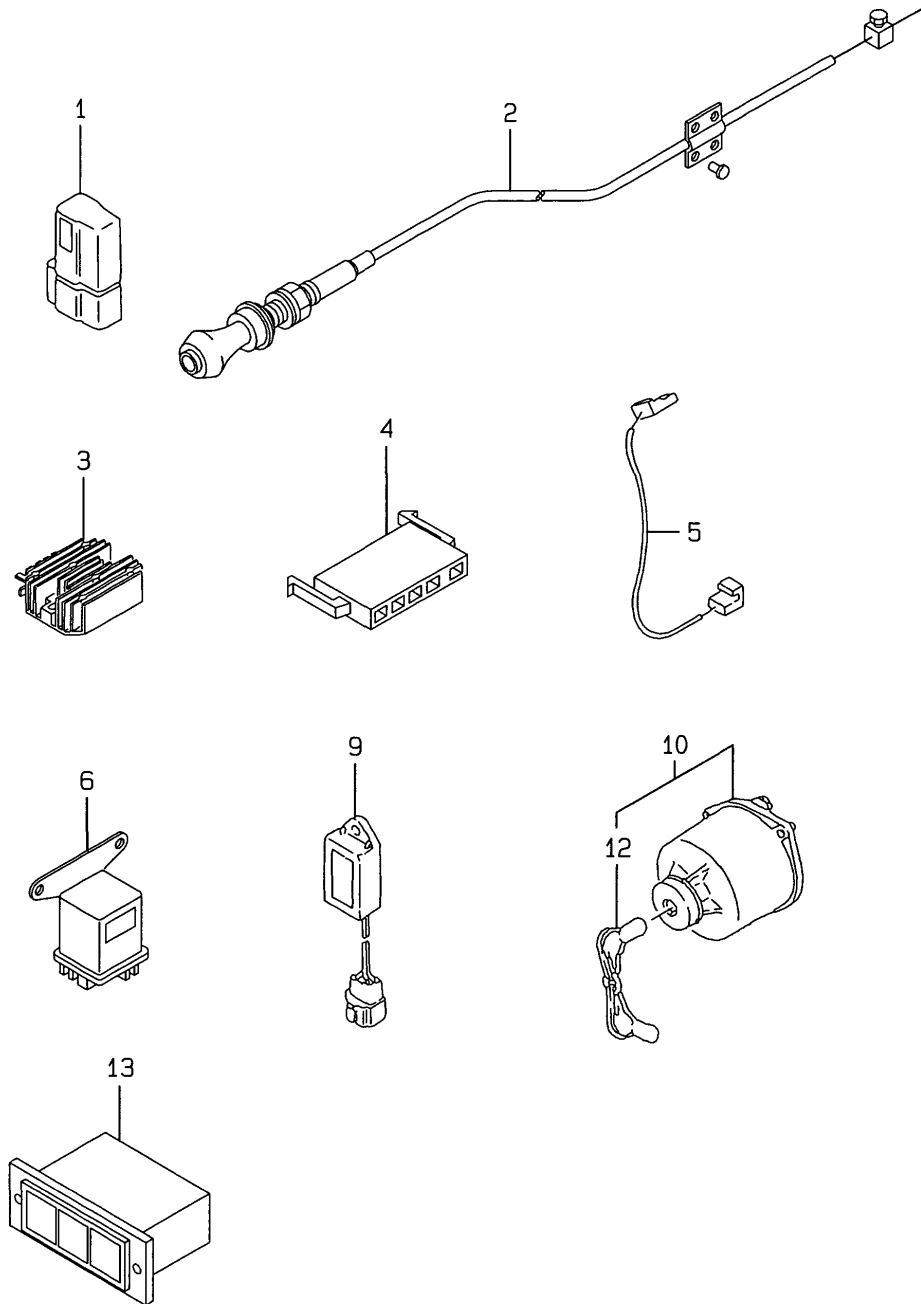
(A)=4TNE84-GB2
(B)=4TNE84-GB2S
(C)=

(D)=
(E)=
(F)=

No.	Lev.	Parts No.	Description	Q'ty						I	R
				(A)	(B)	(C)	(D)	(E)	(F)		
1	1	171301-77201	DYNAMO ASSY, 15A	1	1						
2	2	XM08137	PLATE ASSY	1	1						
4	3	XM08180	STATOR SET	1	1						
5	3	XM27436	BEARING, BALL	1	1						
6	3	XM17878	COUPLER	1	1						
7	3	XM36410	CLAMP	1	1						
8	3	26022-040252	SCREW, M4X25	2	2						
9	3	XYSPS4008	SCREW	1	1						
10	2	XM82184	FLYWHEEL ASSY	1	1						
16	2	106383-44720	SPACER	1	1						
17	2	106383-44730	WASHER	1	1						
18	2	22212-100000	SPRING WASHER 10	1	1						
19	2	26716-100002	NUT, M10	1	1						
20	2	XM61014	CAP	1	1						
21	1	129795-01900	STUD	1	1						
22	1	26366-100002	NUT, M10	1	1						
23	1	129410-77330	ADJUSTER	1	1						
24	1	119810-77340	BOLT, ADJUSTER	1	1						
25	1	26106-080502	BOLT, M8X 50 PLATED	1	1						

Fig.71. ELECTRICAL PARTS

71.ELECTRIC PARTS



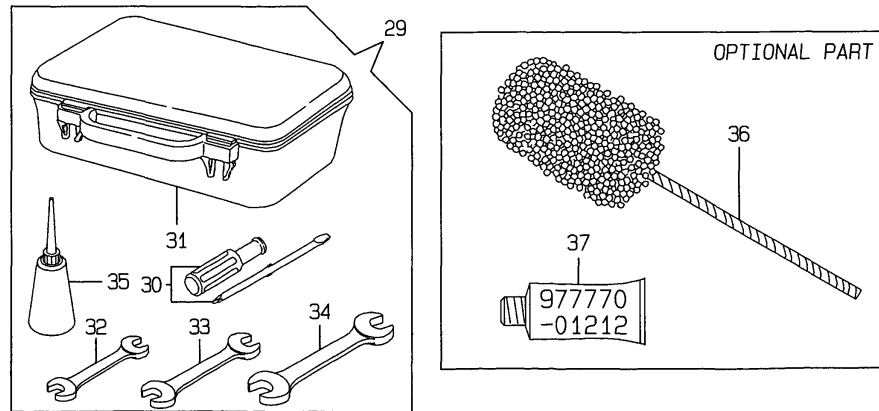
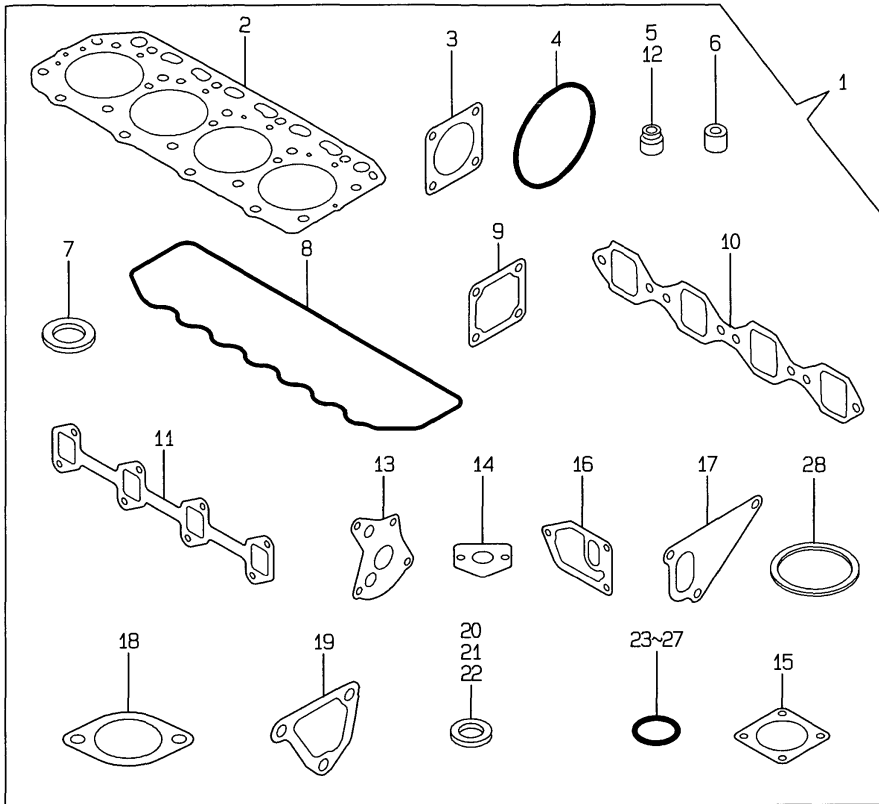
(A)=4TNE84-GB2
(B)=4TNE84-GB2S
(C)=

(D)=
(E)=
(F)=

No.	Lev.	Parts No.	Description	Q'ty						I	R
				(A)	(B)	(C)	(D)	(E)	(F)		
1	1	119643-66900	DIODE	1	1						
2	1	170029-67100	CABLE, PUSH-PULL		1						
3	1	119660-77710	LIMITER, CURRENT 15A	1	1						
3-1	1	119660-77711 (A=E15601)	LIMITER, CURRENT 15A (B=E15851)	1	1						N
4	1	171301-77720	COUPLER	1	1						
5	1	119643-77900	CONNECTOR, STARTER	1	1						
6	1	119650-77910	RELAY ASSY, GLOW	1	1						
9	1	119632-77920	TIMER	1	1						
10	1	129115-91250	SWITCH ASSY	1	1						
12	2	129115-91270	KEY ASSY	1	1						
13	1	170038-91310	LAMP	1	1						

Fig.72. GASKET SET & TOOLS

72.GASKET SET



(A)=4TNE84-GB2
(B)=4TNE84-GB2S
(C)=

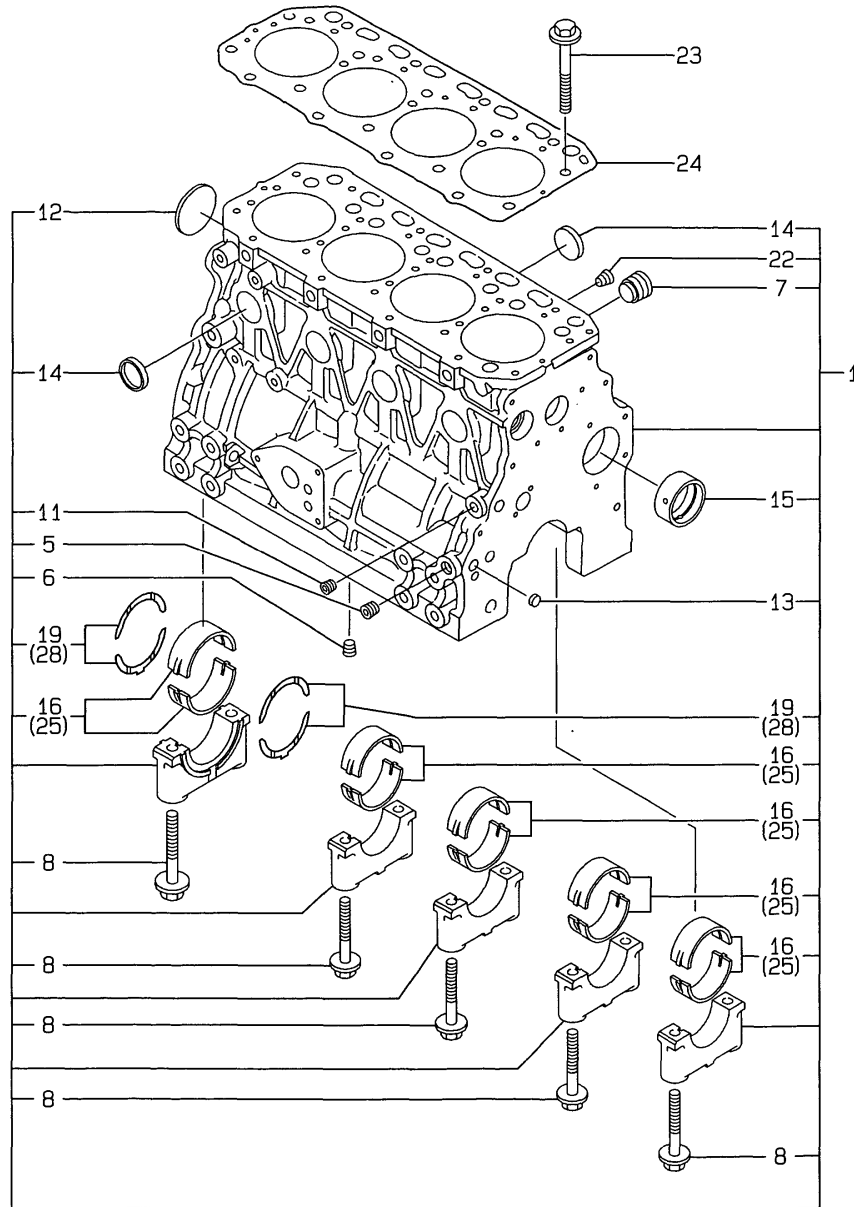
(D)=
(E)=
(F)=

No.	Lev.	Parts No.	Description	Q'ty						I	R
				(A)	(B)	(C)	(D)	(E)	(F)		
1	1	729408-92600	GASKET SET	1	1						1
2	2	129408-01330	GASKET, HEAD	1	1						
3	2	124240-01883	GASKET	1	1						
4	2	121850-51960	O-RING	1	1						
5	2	124460-11340	SEAL, VALVE STEM	4	4						
6	2	119625-11870	PROTECTOR, NOZZLE	4	4						
7	2	119625-11880	SEAT, NOZZLE	4	4						
8	2	129550-11310	GASKET, BONNET	1	1						
9	2	129150-77511	GASKET	1	1						
10	2	129550-12111	GASKET, MANIFOLD	1	1						
11	2	129550-13110	GASKET	1	1						
12	2	121400-11340	SEAL, VALVE STEM	4	4						
13	2	129150-32020	GASKET, PUMP	1	1						
14	2	129150-35041	GASKET	1	1						
15	2	129400-13201	GASKET, SILENCER	1	1						
16	2	129120-35121	GASKET	1	1						
17	2	129100-42020	GASKET, WATER PUMP	1	1						
18	2	129795-49551	GASKET	1	1						
19	2	129100-49840	GASKET	1	1						
20	2	124465-44950	GASKET, 16	2	2						
21	2	23414-120000	GASKET, 12X1.0	2	2						
22	2	23414-100000	GASKET, 10X1.0	2	2						
23	2	24311-000120	O-RING, 1AP12.0	3	3						
24	2	24311-000160	O-RING, 1AP16.0	3	3						
25	2	24341-000240	O-RING, 1AS24.0	1	1						
26	2	24311-000320	O-RING, 1AP32.0	2	2						
27	2	24341-000500	O-RING, 1AS50.0	1	1						
28	2	129150-49811	GASKET, THERMOSTAT	1	1						
29	1	721400-92102	BOX ASSY, TOOL	1	1						
30	2	104200-92350	DRIVER, SCREW	1	1						
31	2	104200-92600	BOX, TOOL	1	1						
32	2	28110-100120	SPANNER, 10X12	1	1						
33	2	28110-140170	SPANNER, 14X17	1	1						
34	2	28110-190220	SPANNER, 19X22	1	1						
35	2	28210-000140	OILER	1	1						
36	1	129400-92420	HONE	1	1						1
37	1	977770-01212	GASKET, LIQUID	1	1						1

Remarks
(1) OPTIONAL PART.

Fig.73. CYLINDER BLOCK

73.CYLINDER BLOCK



(A)=4TNE84T-GB2S

(B)=

(C)=

(D)=

(E)=

(F)=

No.	Lev.	Parts No.	Description	Q'ty						I	R
				(A)	(B)	(C)	(D)	(E)	(F)		
1	1	729638-01560	BLOCK ASSY, CYLINDER	1							
5	2	124160-01910	PLUG, PT1/4	2							
6	2	124160-01910	PLUG, PT1/4	1							
7	2	171051-01921	PLUG, NPTF1	1							
8	2	129150-02020	BOLT, METAL CAP	10							
11	2	23871-010000	PLUG, R01	1							
12	2	27231-500000	PLUG 50	1							
13	2	27241-120000	PLUG, 12	2							
14	2	27241-300000	PLUG 30	8							
15	2	129795-02411	BUSH, CAMSHAFT	1							
16	2	129001-02800	BEARING, MAIN	5							
19	2	129150-02930	BEARING, THRUST	2							
22	1	23871-030000	PLUG, R03	1							
23	1	129150-01200	BOLT, HEAD	18							
24	1	129408-01330	GASKET, HEAD	1							
25	1	129150-02870	BEARING, 0.25 US	5							1
28	1	129150-02940	BEARING, THRUST 0.25	2							2

Remarks

(1) UNDER-SIZED(U.S=0.25)PART.

(2) OVER-SIZED(O.S=0.25)PART.

Fig.74. GEAR HOUSING

(A)=4TNE84T-GB2S

(B)=

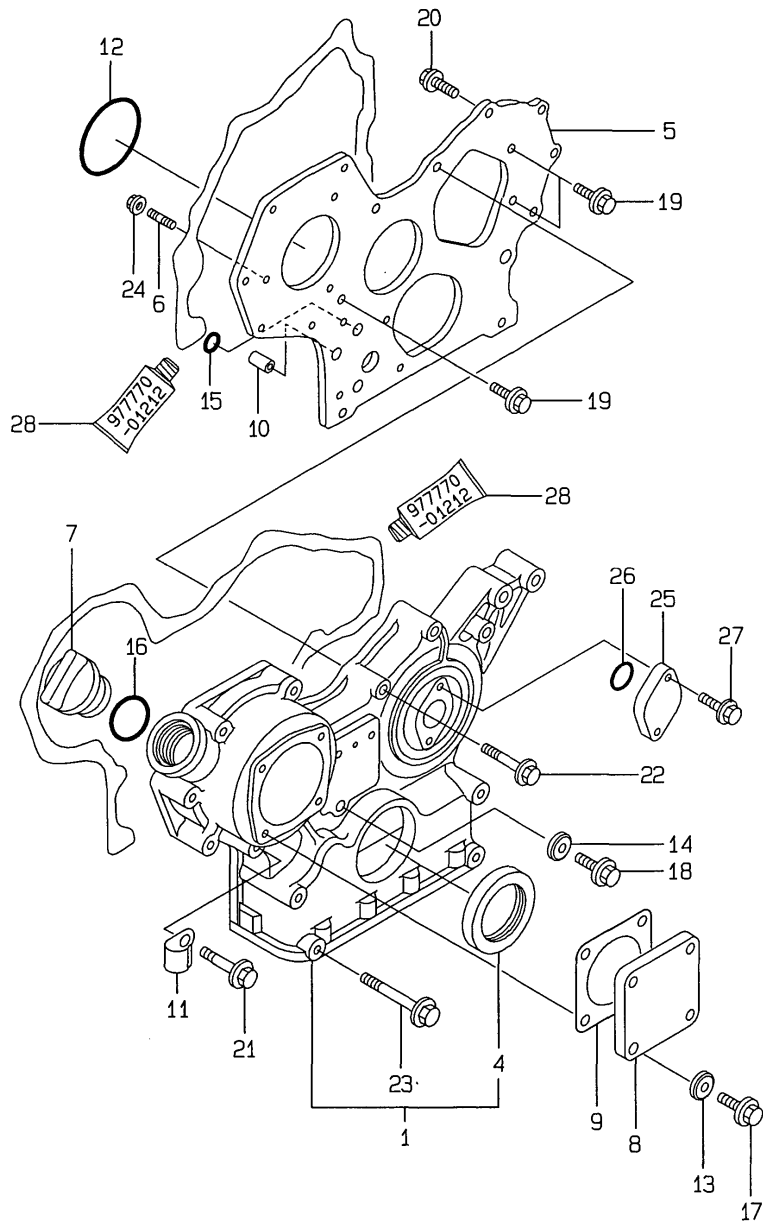
(C)=

(D)=

(E)=

(F)=

74.GEAR HOUSING



No.	Lev.	Parts No.	Description	Q'ty						I	R
				(A)	(B)	(C)	(D)	(E)	(F)		
1	1	719810-01500	CASE ASSY, GEAR	1							
4	2	129795-01800	SEAL, OIL	1							
5	1	129400-01520	FLANGE, GEAR CASE	1							
6	1	121450-01560	STUD, M8X22	3							
7	1	124160-01751	COVER, FILLER	1							
8	1	124240-01871	COVER	1							
9	1	124240-01883	GASKET	1							
10	1	129795-01950	PIPE, KNOCK L=18	2							
11	1	129150-03100	RETAINER, PIPE	1							
12	1	121850-51960	O-RING	1							
13	1	22190-080002	WASHER, SEAL 6	4							
14	1	22190-080002	WASHER, SEAL 6	1							
15	1	24311-000160	O-RING, 1AP16.0	2							
16	1	24311-000320	O-RING, 1AP32.0	1							
17	1	26106-080122	BOLT, M8X 12 PLATED	4							
18	1	26106-080162	BOLT, M8X 16 PLATED	1							
19	1	26106-080162	BOLT, M8X 16 PLATED	3							
20	1	26106-080202	BOLT, M8X 20 PLATED	2							
21	1	26106-080452	BOLT, M8X 45 PLATED	6							
22	1	26106-080552	BOLT, M8X 55 PLATED	3							
23	1	129001-91840	BOLT, M8X85	4							
24	1	26366-080002	NUT, M8	3							
25	1	121023-01550	COVER	1							
26	1	24341-000240	O-RING, 1AS24.0	1							
27	1	26106-060162	BOLT, M6X 16 PLATED	2							
28	1	97770-01212	GASKET, LIQUID	1							1

Remarks

(1) OPTIONAL PART.

N:Old $\xrightarrow{\text{Yes}}$ New, Q:Old $\xrightarrow{\text{No}}$ New, R:Old $\xrightarrow{\text{Yes}}$ New, S:Old $\xrightarrow{\text{No}}$ New, W:Add, Z:Discontinued, F:Interchangeable by set, K:Q'ty Change

Fig.75. FLYWHEEL HOUSING & OIL SUMP

(A)=4TNE84T-GB2S

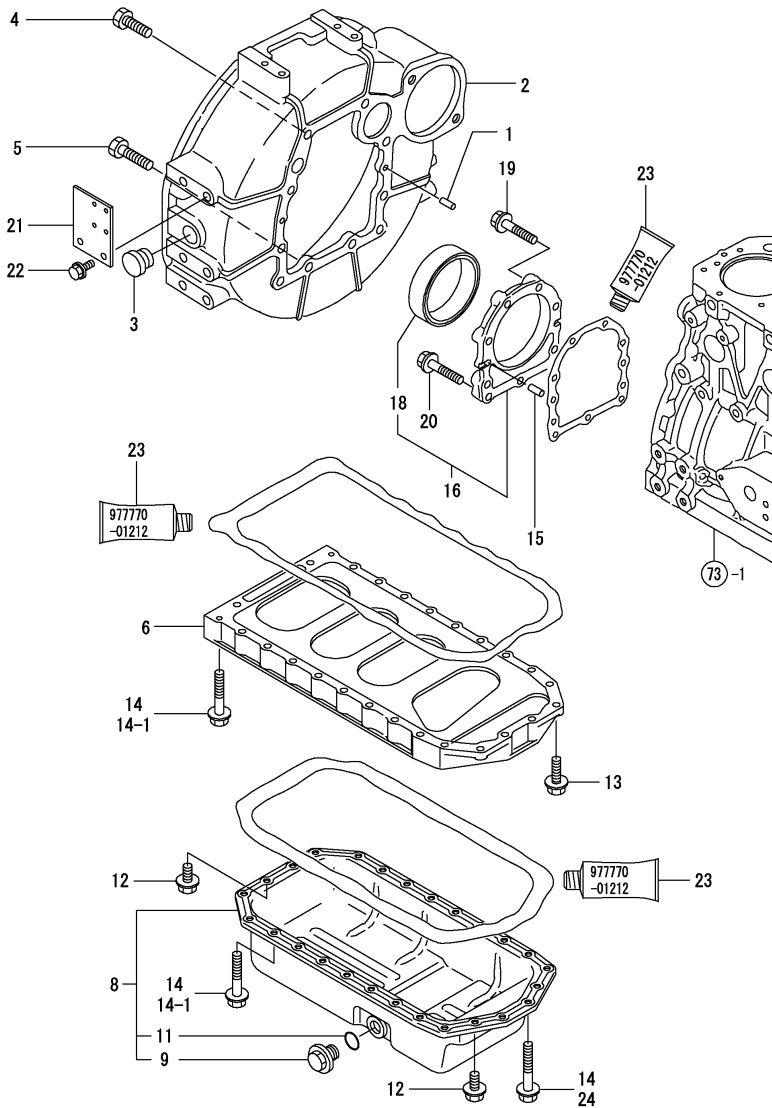
(B)=

(C)=

(D)=

(E)=

(F)=



No.	Lev.	Parts No.	Description	Q'ty						I	R
				(A)	(B)	(C)	(D)	(E)	(F)		
1	1	129100-01580	PIN, M8X16	2							
2	1	129612-01600	HOUSING, FLYWHEEL	1							
3	1	119620-01750	CAP	1							
4	1	26206-100252	BOLT, M10X 25 PLATED	6							
5	1	26206-100302	BOLT, M10X 30 PLATED	4							
6	1	129400-01730	SPACER, OIL SUMP	1							
8	1	129400-01770	SUMP ASSY, OIL	1							
8-1	1	129688-01780	OIL PAN ASSY, DEEP	1						N	2
(A=REF. TO R)											
9	2	171301-01640	PLUG, 22	1							
11	2	24341-000250	O-RING, 1AS25.0	1							
12	1	26106-080162	BOLT, M8X 16 PLATED	4							
13	1	26106-080252	BOLT, M8X 25 PLATED	2							
14	1	26106-080452	BOLT, M8X 45 PLATED	24							
14-1	1	26106-080452	BOLT, M8X 45 PLATED	20							K
(A=FROM 1ST)											
15	1	129100-01580	PIN, M8X16	2							
16	1	129100-01640	CASE ASSY, OIL SEAL	1							
18	2	129795-01780	SEAL, OIL	1							
19	1	129486-01670	BOLT, M8X30	6							
20	1	26106-080352	BOLT, M8X 35 PLATED	3							
21	1	129111-67010	SUPPORT, WIRE	1							
22	1	26106-080162	BOLT, M8X 16 PLATED	2							
23	1	977770-01212	GASKET, LIQUID	1							1
24	1	26106-080502	BOLT, M8X 50 PLATED	4							W
(A=FROM 1ST)											

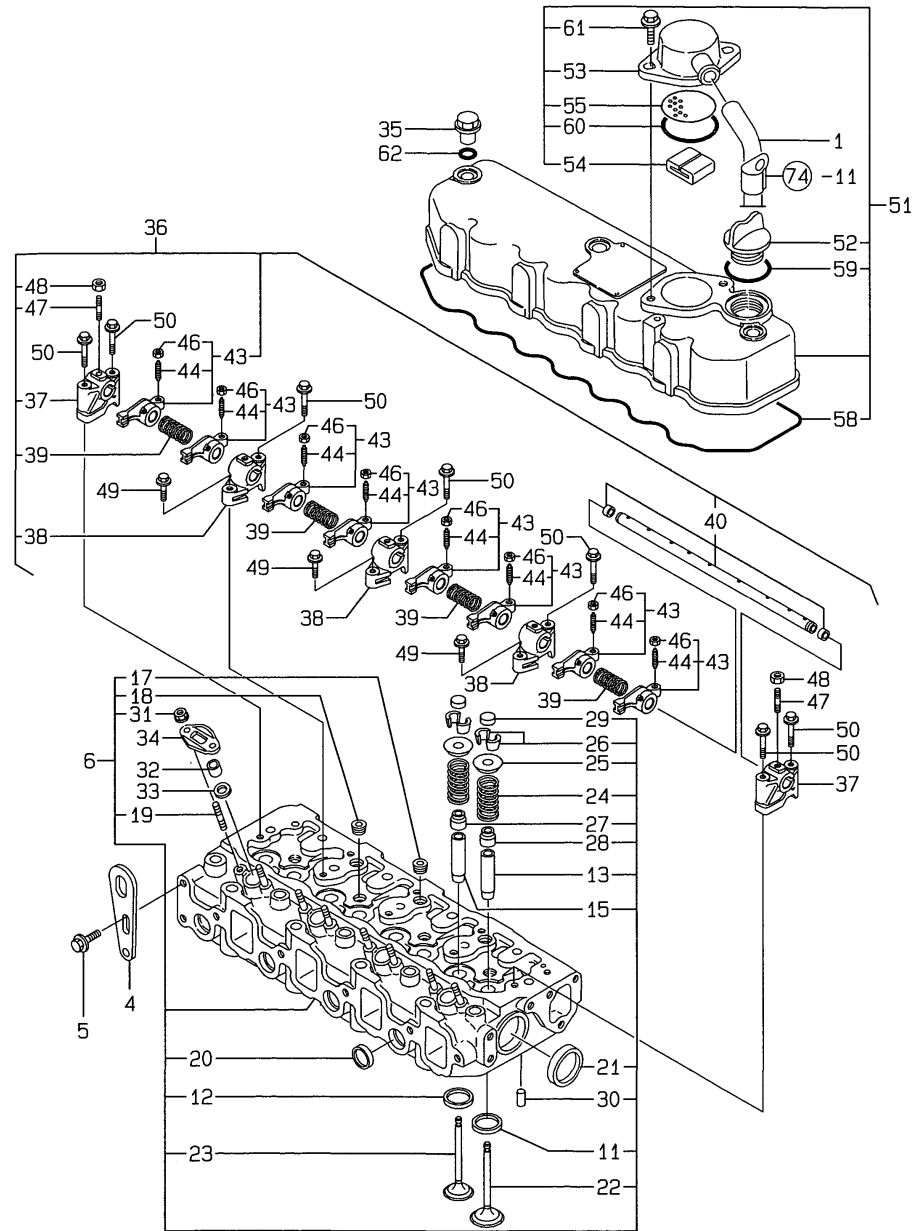
Remarks

(1)Optional parts.

(2)For repair.

Fig.76. CYLINDER HEAD & BONNET

76. CYLINDER HEAD & BONNET



(A)=4TNE84T-GB2S

(B)=

(C)=

(D)=

(E)=

(F)=

No.	Lev.	Parts No.	Description	Q'ty						I	R
				(A)	(B)	(C)	(D)	(E)	(F)		
1	1	171350-03090	PIPE , BREATHER 900	1							
4	1	124736-07900	LIFTER	2							
5	1	26106-080142	BOLT, M8X 14 PLATED	4							
6	1	729408-11700	HEAD ASSY, CYLINDER	1							
11	2	129470-11080	SEAT, INTAKE VALVE	4							
12	2	129470-11090	SEAT, EXHAUST VALVE	4							
13	2	120130-11860	GUIDE, VALVE	4							1
15	2	129150-11810	GUIDE, VALVE	4							1
17	2	23871-020000	PLUG, R02	3							
18	2	23871-030000	PLUG, R03	4							
19	2	26216-060202	STUD, M6X 20	8							
20	2	27241-220000	PLUG, 22	4							
21	2	27241-400000	PLUG, 40	2							
22	2	129100-11100	VALVE, INTAKE	4							
23	2	129100-11130	VALVE, EXHAUST	4							
24	2	129795-11120	SPRING, VALVE	8							
25	2	129795-11180	RETAINER, SPRING	8							
26	2	27310-080001	COTTER, 8	8							
27	2	121400-11340	SEAL, VALVE STEM	4							
28	2	124460-11340	SEAL, VALVE STEM	4							
29	2	129150-11370	CAP, VALVE	8							
30	2	22351-060012	PIN, SPRING 6.0X12	2							
31	2	26366-060002	NUT, M6	8							
32	1	119625-11870	PROTECTOR, NOZZLE	4							
33	1	119625-11880	SEAT, NOZZLE	4							
34	1	119625-11900	RETAINER, NOZZLE	4							
35	1	124160-11360	KNOB	3							
36	1	129555-11241	SHAFT ASSY, ROCKER	1							
37	2	129155-11260	SUPPORT, ROCKER ARM	2							
38	2	129155-11270	SUPPORT, ROCKER ARM	3							
39	2	129150-11280	SPRING	4							
40	2	129550-11290	SHAFT, ROCKER ARM	1							
43	2	729402-11650	ARM ASSY, ROCKER	8							
44	3	129150-11230	SCREW, VALVE ADJUST	8							
46	3	129150-11750	NUT, M8	8							
47	2	26226-080182	STUD, M8X 18	3							
48	2	26756-080002	NUT, LOCK M8	3							
49	1	26106-080252	BOLT, M8X 25 PLATED	3							
50	1	26106-080502	BOLT, M8X 50 PLATED	7							
51	1	129400-11350	BONNET ASSY, HEAD	1							
52	2	124160-01751	COVER, FILLER	1							
53	2	129150-03020	COVER, BREATHER	1							
54	2	129150-03070	BAFFLE, BREATHER	1							
55	2	129150-03080	PLATE, BAFFLE	1							
58	2	129550-11310	GASKET, BONNET	1							
59	2	24311-000320	O-RING, 1AP32.0	1							
60	2	24341-000500	O-RING, 1AS50.0	1							
61	2	26106-080162	BOLT, M8X 16 PLATED	2							
62	1	24311-000120	O-RING, 1AP12.0	3							

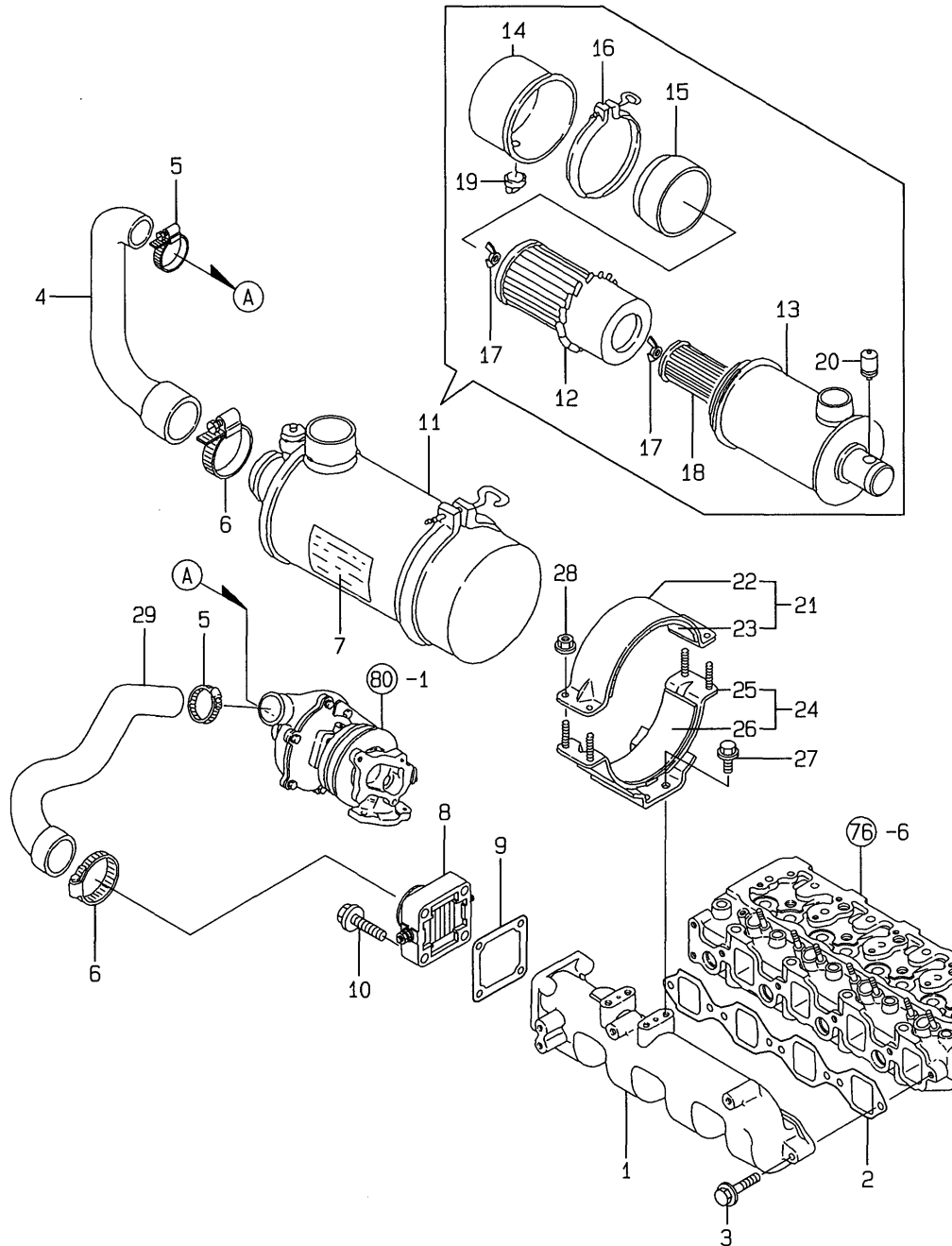
Remarks

(1) REPAIR PART.

N:Old $\begin{matrix} \leftarrow \text{Yes} \\ \text{No} \end{matrix}$ New, Q:Old $\begin{matrix} \leftarrow \text{No} \\ \text{Yes} \end{matrix}$ New, R:Old $\begin{matrix} \leftarrow \text{Yes} \\ \text{Yes} \end{matrix}$ New, S:Old $\begin{matrix} \leftarrow \text{No} \\ \text{No} \end{matrix}$ New, W:Add, Z:Discontinued, F:Interchangeable by set, K:Q'ty Change

Fig.77. SUCTION MANIFOLD & AIR CLEANER

77.SUCTION MANIFOLD & AIR CLEANER



(A)=4TNE84T-GB2S

(B)=

(C)=

(D)=

(E)=

(F)=

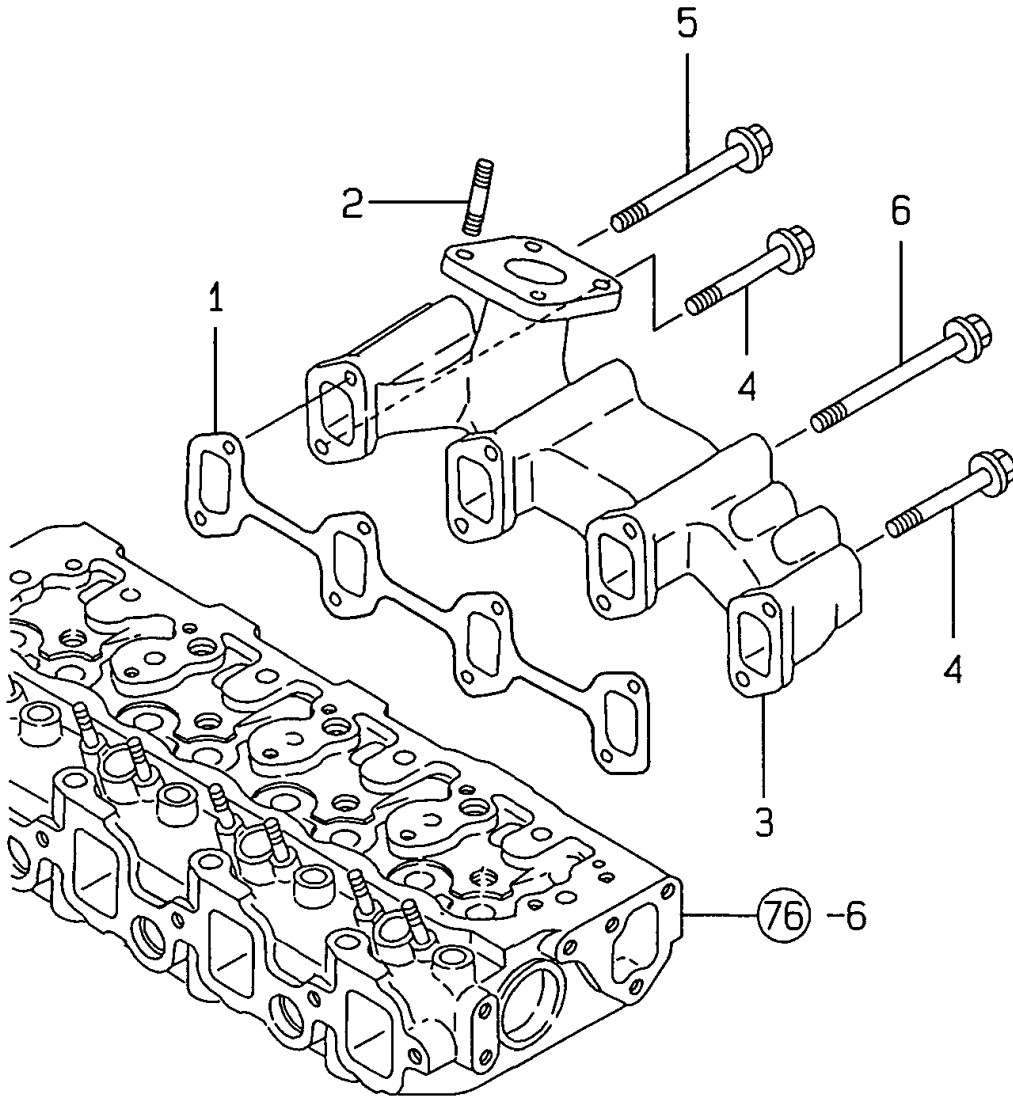
No.	Lev.	Parts No.	Description	Qty						I	R
				(A)	(B)	(C)	(D)	(E)	(F)		
1	1	129488-12100	MANIFOLD, AIR INTAKE	1							
2	1	129550-12111	GASKET, MANIFOLD	1							
3	1	26106-080352	BOLT, M8X 35 PLATED	5							
4	1	129488-12070	PIPE, AIR INTAKE	1							
5	1	23000-060000	CLAMP, 60	2							
6	1	23000-070000	CLAMP, 70	2							
7	1	171064-12600	LABEL, AIR CLEANER	1							
8	1	129120-77501	HEATER	1							
9	1	129150-77511	GASKET	1							
10	1	26106-080352	BOLT, M8X 35 PLATED	4							
11	1	121521-12500	CLEANER ASSY, AIR	1							
12	2	121420-12511	ELEMENT	1							
13	2	171061-12520	BODY ASSY	1							
14	2	121422-12530	CUP	1							
15	2	121420-12540	SCARF, BAFFLE	1							
16	2	121420-12550	CLAMP ASSY	1							
17	2	121420-12561	NUT, WING	2							
18	2	121422-12570	ELEMENT	1							
19	2	121422-12580	VALVE, UNLOADER	1							
20	2	126650-12680	INDICATOR	1							
21	1	121400-12540	BAND ASSY, CLEANER	1							
22	2	121400-12560	BAND, AIR CLEANER	1							
23	2	121400-12570	SEAT, RUBBER B	1							
24	1	171351-12580	SUPPORT ASSY,CLEANER	1							
25	2	171351-12560	SUPPORT, AIR CLEANER	1							
26	2	171351-12570	SEAT, RUBBER	1							
27	1	26106-080142	BOLT, M8X 14 PLATED	4							
28	1	26366-060002	NUT, M6	4							
29	1	129488-12080	PIPE, AIR INTAKE	1							

Fig.78. EXHAUST MANIFOLD

78.EXHAUST MANIFOLD

(A)=4TNE84T-GB2S
(B)=
(C)=

(D)=
(E)=
(F)=



No.	Lev.	Parts No.	Description	Q'ty						I	R
				(A)	(B)	(C)	(D)	(E)	(F)		
1	1	129550-13110	GASKET	1							
2	1	119131-18320	STUD, M8X22	4							
3	1	129403-13120	MANIFOLD, EXHAUST	1							
4	1	26106-080652	BOLT, M8X 65 PLATED	3							
4-1	1	119802-13650	BOLT, M8X65	3							N
(A=*2002.09)											
5	1	26106-080852	BOLT, M8X 85 PLATED	1							
5-1	1	119802-13670	BOLT, M8X85	1							N
(A=*2002.09)											
6	1	26106-081002	BOLT, M8X100 PLATED	4							
6-1	1	129693-44310	BOLT	4							N
(A=*2002.09)											
6-2	1	119802-13820	BOLT, M8X100 9.8T	4							N
(A=*2009.12)											

Fig.79. CAMSHAFT & DRIVING GEAR

(A)=4TNE84T-GB2S

(B)=

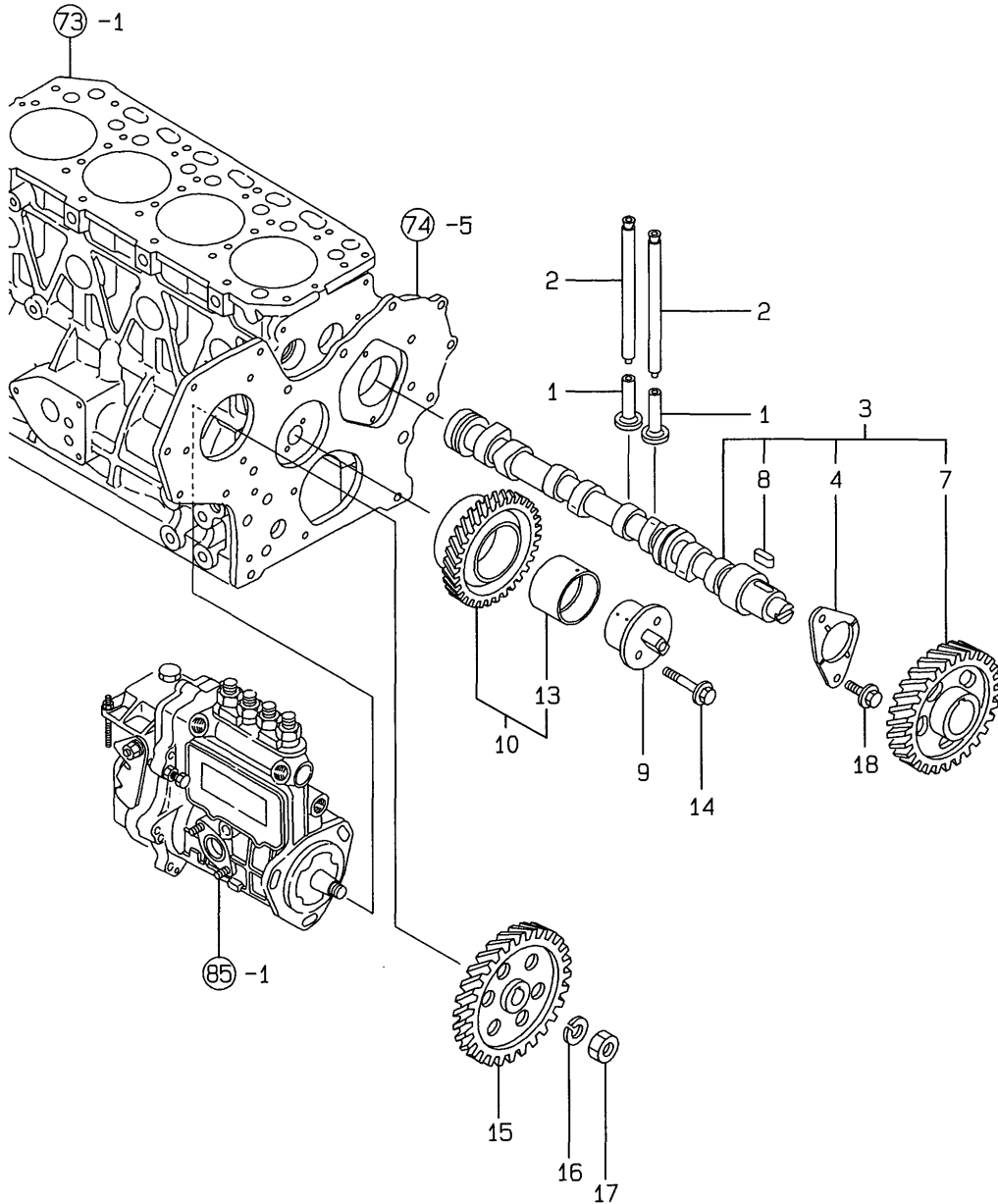
(C)=

(D)=

(E)=

(F)=

79.CAMSHAFT & DRIVING GEAR



No.	Lev.	Parts No.	Description	Q'ty						I	R
				(A)	(B)	(C)	(D)	(E)	(F)		
1	1	129150-14200	TAPPET	8							
2	1	129150-14400	ROD, PUSH L=178	8							
3	1	729402-14580	CAMSHAFT ASSY	1							
4	2	129150-02450	BEARING, THRUST	1							
7	2	129150-14101	GEAR, CAMSHAFT	1							
8	2	22512-070140	KEY, 7X 14	1							
9	1	129100-25061	SHAFT, IDLE	1							
10	1	129150-25101	GEAR ASSY, IDLE	1							
13	2	129150-25920	BUSH, IDLE GEAR	1							1
14	1	26106-080452	BOLT, M8X 45 PLATED	2							
15	1	129150-25900	GEAR, PUMP	1							
16	1	22217-120000	WASHER, SPRING 12	1							
17	1	26716-120002	NUT, M12	1							
18	1	26106-080162	BOLT, M8X 16 PLATED	2							

Remarks
(1) REPAIR PART.

Fig.80. TURBO CHARGER

(A)=4TNE84T-GB2S

(B)=

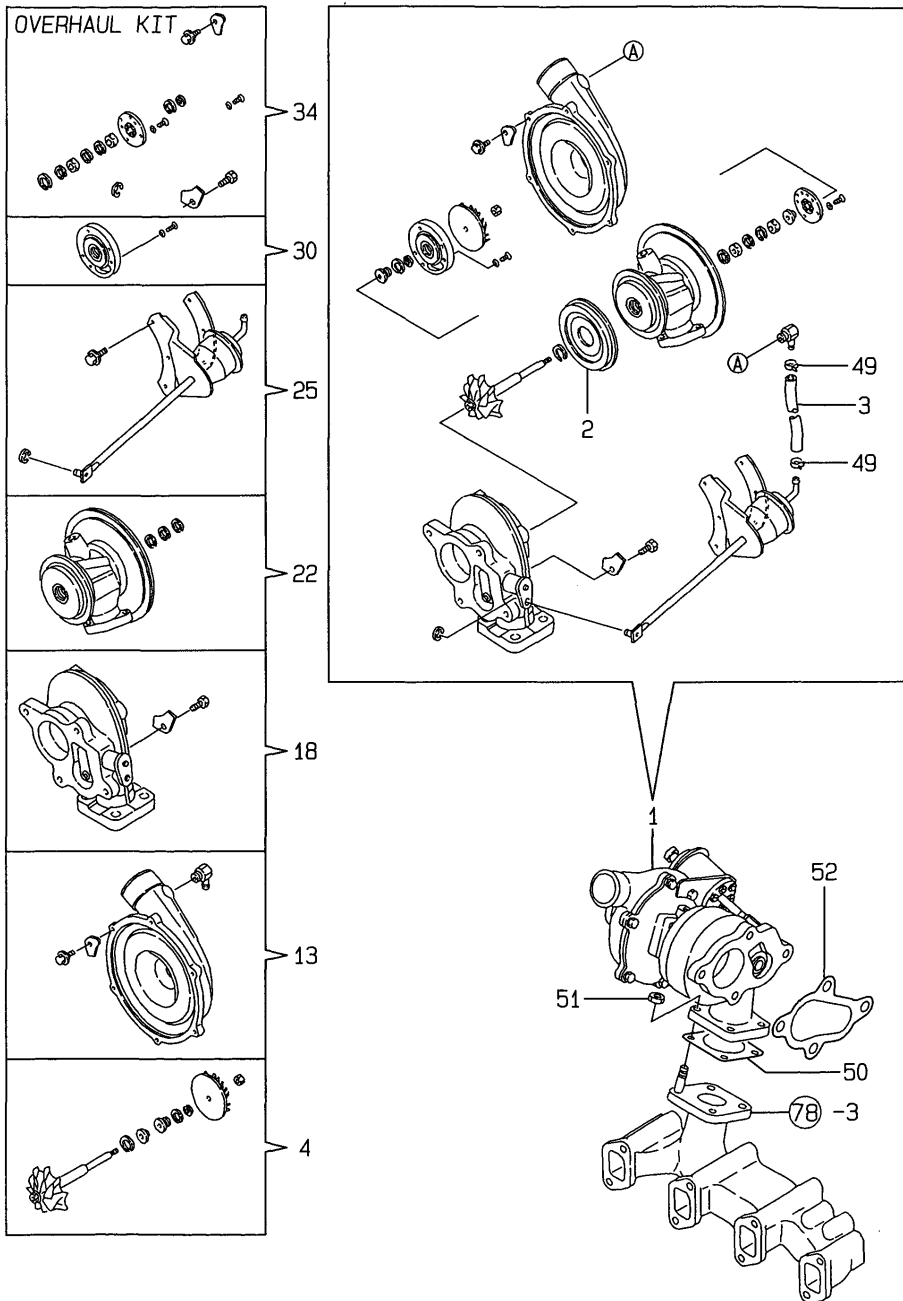
(C)=

(D)=

(E)=

(F)=

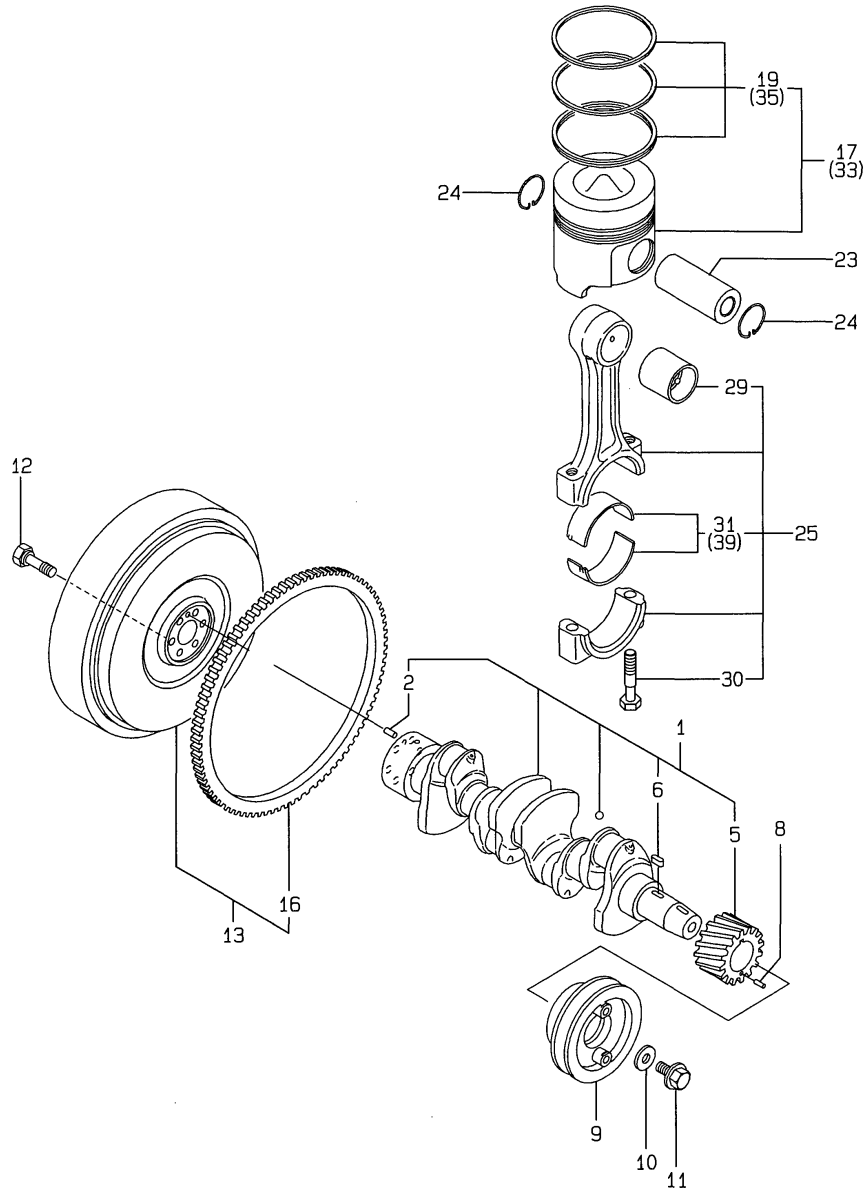
80. TURBOCHARGER



No.	Lev.	Parts No.	Description	Q'ty						I	R
				(A)	(B)	(C)	(D)	(E)	(F)		
1	1	129404-18020	TURBINE, RHB51	1							
2	2	129404-18720	PROTECTOR, HEAT	1							
3	2	129404-18750	HOSE	1							
4	2	129404-18770	ROTOR SET	1							
13	2	129404-18780	HOUSING SET	1							
18	2	129404-18790	HOUSING ASSY	1							
22	2	129404-18800	HOUSING SET	1							
25	2	129404-18811	CONTROLLER ASSY	1							
30	2	129404-18820	PLATE	1							
34	2	129404-18830	OVERHAUL KIT	1							
49	2	23080-012000	CLAMP, 12	2							
50	1	129322-18100	GASKET	1							
51	1	194990-22050	NUT, M8	4							
52	1	129403-18081	GASKET	1							

Fig.81. CRANKSHAFT & PISTON

81. CRANKSHAFT & PISTON



(A)=4TNE84T-GB2S

(B)=

(C)=

(D)=

(E)=

(F)=

No.	Lev.	Parts No.	Description	Q'ty						I	R
				(A)	(B)	(C)	(D)	(E)	(F)		
1	1	129418-21000	CRANKSHAFT ASSY	1							
2	2	129100-01580	PIN, M8X16	1							
5	2	129150-21200	GEAR, CRANKSHAFT	1							
6	2	22512-070140	KEY, 7X 14	1							
8	1	22351-040010	PIN, SPRING 4.0X10	1							
9	1	171301-21650	V-PULLEY	1							
10	1	129795-21661	WASHER	1							
11	1	121850-21680	BOLT	1							
12	1	121111-21501	BOLT, FLYWHEEL	6							
13	1	171420-21580	FLYWHEEL ASSY	1							
16	2	119865-21600	GEAR, RING	1							
17	1	129002-22090	PISTON ASSY	4							
19	2	129002-22510	RING SET, PISTON	4							
23	1	129202-22300	PIN, PISTON D26 L70	4							
24	1	22252-000260	RING, 26	8							
25	1	729402-23100	ROD ASSY, CONNECTING	4							
29	2	129100-23910	BEARING, PISTON PIN	4							1
30	2	121550-23200	BOLT, CONNECTING ROD	8							
31	2	129150-23600	BEARING, CRANK PIN	4							
33	1	129002-22910	PISTON ASSY, 0.25 OS	4							2
35	2	129002-22510	RING SET, PISTON	4							2
39	1	129150-23610	BEARING, 0.25 US	4							3

Remarks

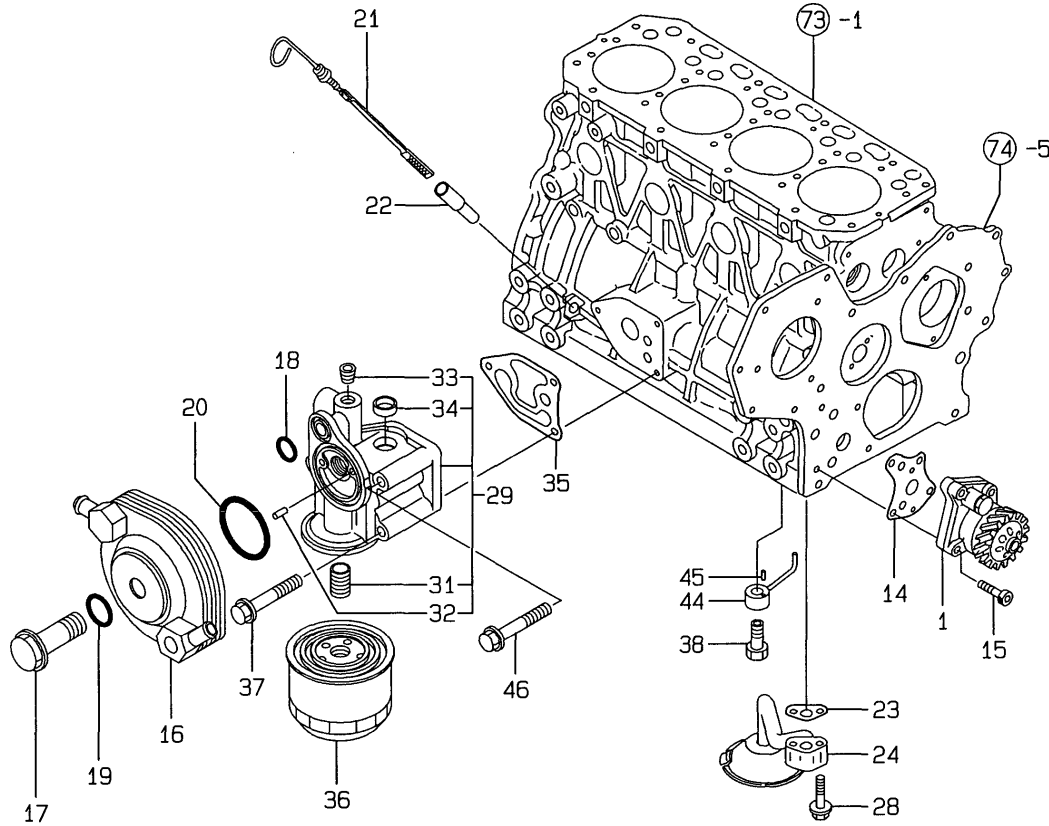
(1) REPAIR PART.

(2) OVER-SIZE(O.S=0.25)PART.

(3) UNDER-SIZE(U.S=0.25)PART.

Fig.82. LUB. OIL SYSTEM

82.LUB.OIL.SYSTEM



(A)=4TNE84T-GB2S

(B)=

(C)=

(D)=

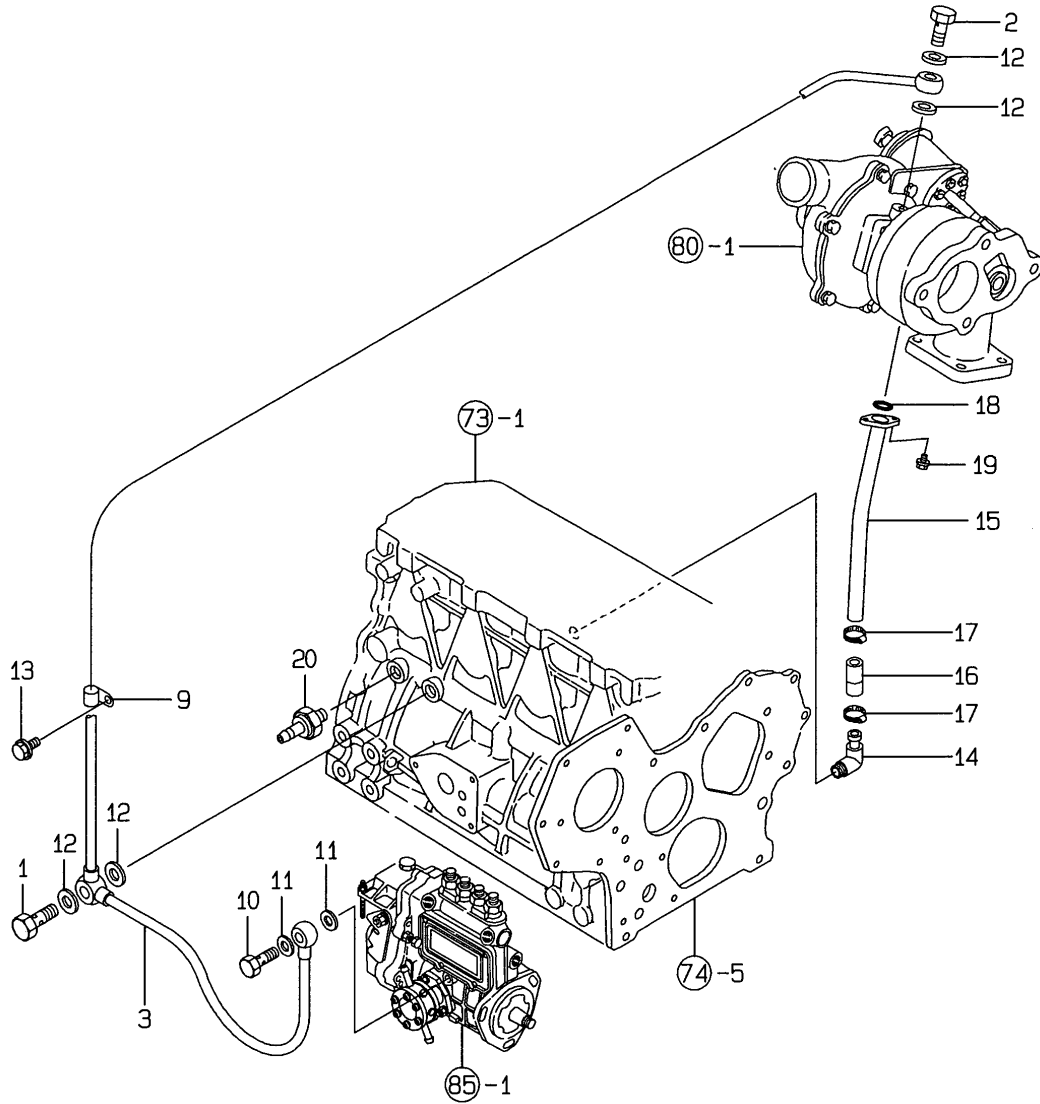
(E)=

(F)=

No.	Lev.	Parts No.	Description	Q'ty						I	R
				(A)	(B)	(C)	(D)	(E)	(F)		
1	1	129418-32000	PUMP ASSY, OIL	1							
14	1	129150-32020	GASKET, PUMP	1							
15	1	26450-060252	BOLT, M6X 25	4							
16	1	129103-33031	COOLER, OIL	1							
17	1	129103-33132	BOLT	1							
18	1	24311-000200	O-RING, 1AP20.0	1							
19	1	24311-000210	O-RING, 1AP21.0	1							
20	1	24321-000550	O-RING, 1AG55.0	1							
21	1	129403-34800	DIPSTICK, OIL	1							
22	1	121520-34810	GUIDE, DIPSTICK	1							
23	1	129150-35041	GASKET	1							
24	1	129436-35091	PIPE ASSY, OIL INLET	1							
28	1	26106-080352	BOLT, M8X 35 PLATED	2							
29	1	129418-35100	BRACKET ASSY	1							
31	2	129100-35140	STUD	1							
32	2	22312-060080	PIN, PARALLEL M6X 8	2							
33	2	23871-020000	PLUG, R02	1							
34	2	27241-200000	PLUG, 20	1							
35	1	129103-35122	GASKET	1							
36	1	129150-35151	FILTER, D80XL80	1							
37	1	26106-080752	BOLT, M8X 75 PLATED	2							
38	1	129792-39410	VALVE ASSY, CHECK	4							
44	1	129553-39650	NOZZLE	4							
45	1	22351-030010	PIN, SPRING 3.0X10	4							
46	1	26106-080702	BOLT, M8X 70 PLATED	1							

Fig.83. LUB. OIL LINE

83.LUB.OIL PIPE



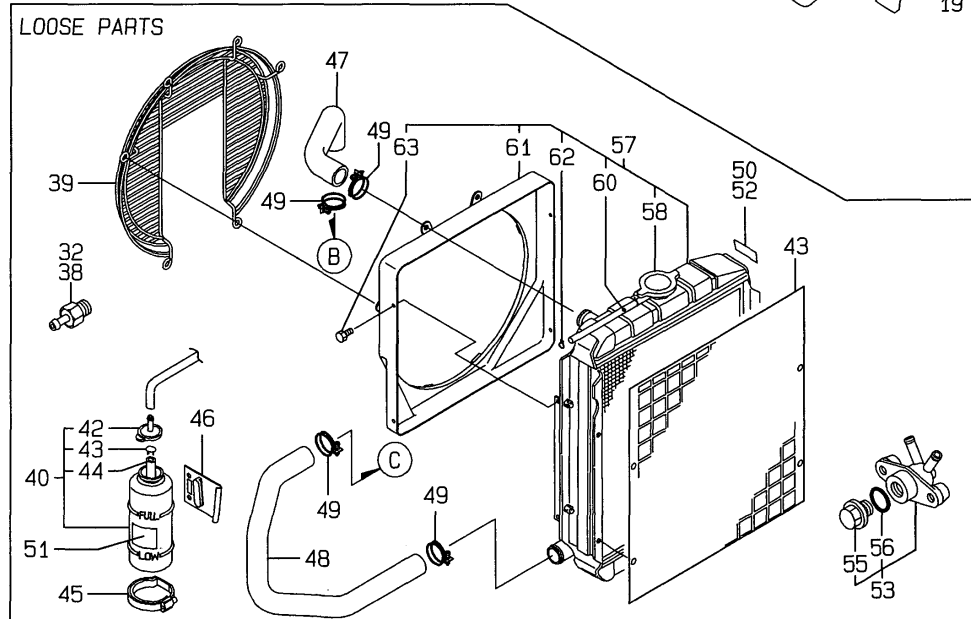
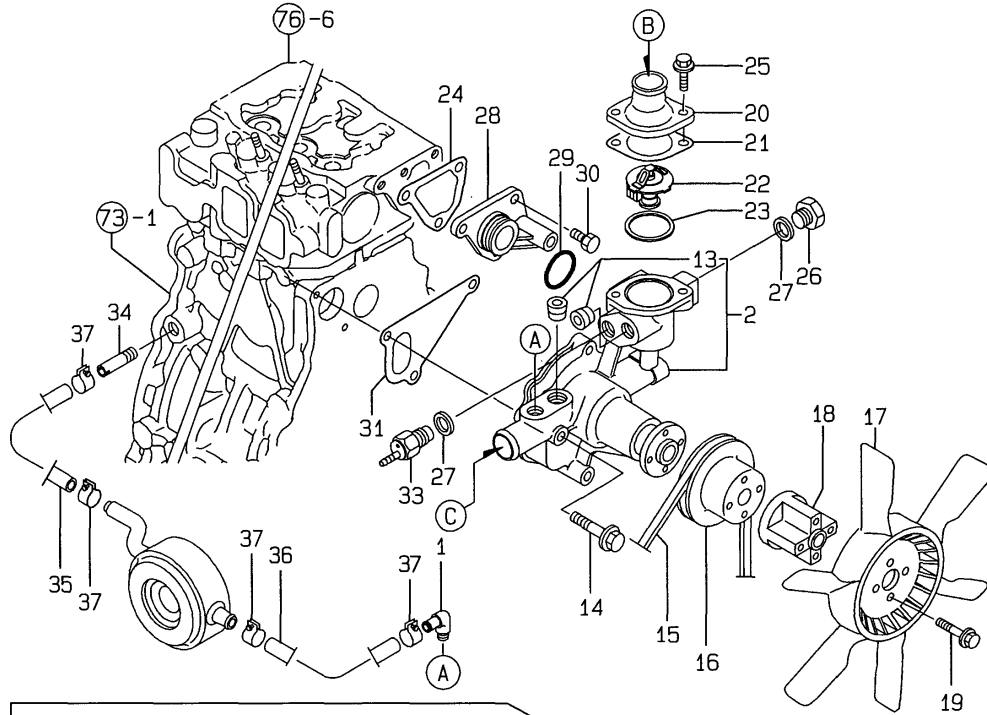
(A)=4TNE84T-GB2S
(B)=
(C)=

(D)=
(E)=
(F)=

No.	Lev.	Parts No.	Description	Q'ty						I	R
				(A)	(B)	(C)	(D)	(E)	(F)		
1	1	124160-39140	BOLT, PIPE JOINT M10	1							
2	1	121252-39150	BOLT, JOINT M10X1.5	1							
3	1	129403-39460	PIPE ASSY, OIL	1							
9	1	124223-39900	RETAINER	1							
10	1	124550-59820	BOLT, PIPE JOINT M8	1							
11	1	22190-080002	WASHER, SEAL 6	2							
12	1	23414-100000	GASKET, 10X1.0	4							
13	1	26106-080102	BOLT, M8X 10 PLATED	1							
14	1	124070-13300	ELBOW, PT3/8	1							
15	1	129503-39600	PIPE, OIL	1							
16	1	129506-39610	JOINT, RUBBER	1							
17	1	23000-025000	CLAMP, 25	2							
18	1	24314-000160	O-RING, 4CP16.0	1							
19	1	26106-060162	BOLT, M6X 16 PLATED	2							
20	1	124160-39450	SWITCH, 0.5KG	1							

Fig.84. COOLING WATER SYSTEM

84.COOLING WATER SYSTEM



No.	Lev.	Parts No.	Description	Q'ty						I	R
				(A)	(B)	(C)	(D)	(E)	(F)		
1	1	129103-49301	ELBOW, PT1/4	1							
2	1	129001-42002	PUMP ASSY, WATER	1							
13	2	23871-030000	PLUG, R03	2							
14	1	26106-080602	BOLT, M8X 60 PLATED	3							
15	1	119865-42290	V-BELT, A36.5	1							
16	1	129155-42350	V-PULLEY	1							
17	1	129403-44740	FAN, COOLING 370	1							
18	1	171353-44760	SPACER, FAN	1							
19	1	26106-060352	BOLT, M6X 35 PLATED	4							
20	1	129350-49560	COVER, THERMOSTAT	1							
21	1	129795-49551	GASKET	1							
22	1	129155-49800	THERMOSTAT, 71	1							
23	1	129150-49811	GASKET, THERMOSTAT	1							
24	1	129100-49840	GASKET	1							
25	1	26106-080202	BOLT, M8X 20 PLATED	2							
26	1	121450-42450	PLUG, M16	1							
27	1	124465-44950	GASKET, 16	2							
28	1	129001-42040	JOINT	1							
29	1	24321-000300	O-RING, 1AG30.0	1							
30	1	26106-080162	BOLT, M8X 16 PLATED	3							
31	1	129100-42020	GASKET, WATER PUMP	1							
32	1	121750-49110	JOINT	1							
33	1	121250-44901	SWITCH, 110	1							
34	1	129122-44480	JOINT	1							
35	1	129403-49031	PIPE, WATER	1							
36	1	129403-49050	PIPE, WATER	1							
37	1	23000-022000	CLAMP, 22	4							
38	1	129137-49100	JOINT	1							
39	1	129420-44560	PROTECTOR, FAN	1							
40	1	124450-44510	TANK ASSY, SUB	1							
42	2	124450-44530	CAP	1							
43	2	124450-44560	RETAINER	1							
44	2	23061-070230	PIPE, 7X 230	1							
45	1	124450-44550	BAND	1							
46	1	121256-44600	BRACKET, SUB TANK	1							
47	1	171420-49010	PIPE, WATER	1							
48	1	171420-49020	PIPE, WATER	1							
49	1	23010-038000	CLAMP, 38	4							
50	1	124764-44800	LABEL, RADIATOR	1							
51	1	124764-44810	LABEL, SUB TANK	1							
52	1	121400-44910	LABEL, RADIATOR	1							
53	1	121450-49110	COCK ASSY, 3-WAY	1							
55	2	121250-49121	PLUG, DRAIN	1							
56	2	24311-000160	O-RING, 1AP16.0	1							
57	1	129408-44500	RADIATOR	1							
58	2	119259-44570	CAP, RADIATOR	1							
60	2	129132-44530	HOSE, RUBBER	1							
61	2	129420-44550	SHROUD ASSY	1							
62	2	121250-44590	CLAMP	2							
63	2	26014-060122	BOLT, M6X 12	4							

Fig.85. FUEL INJECTION PUMP

(A)=4TNE84T-GB2S

(B)=

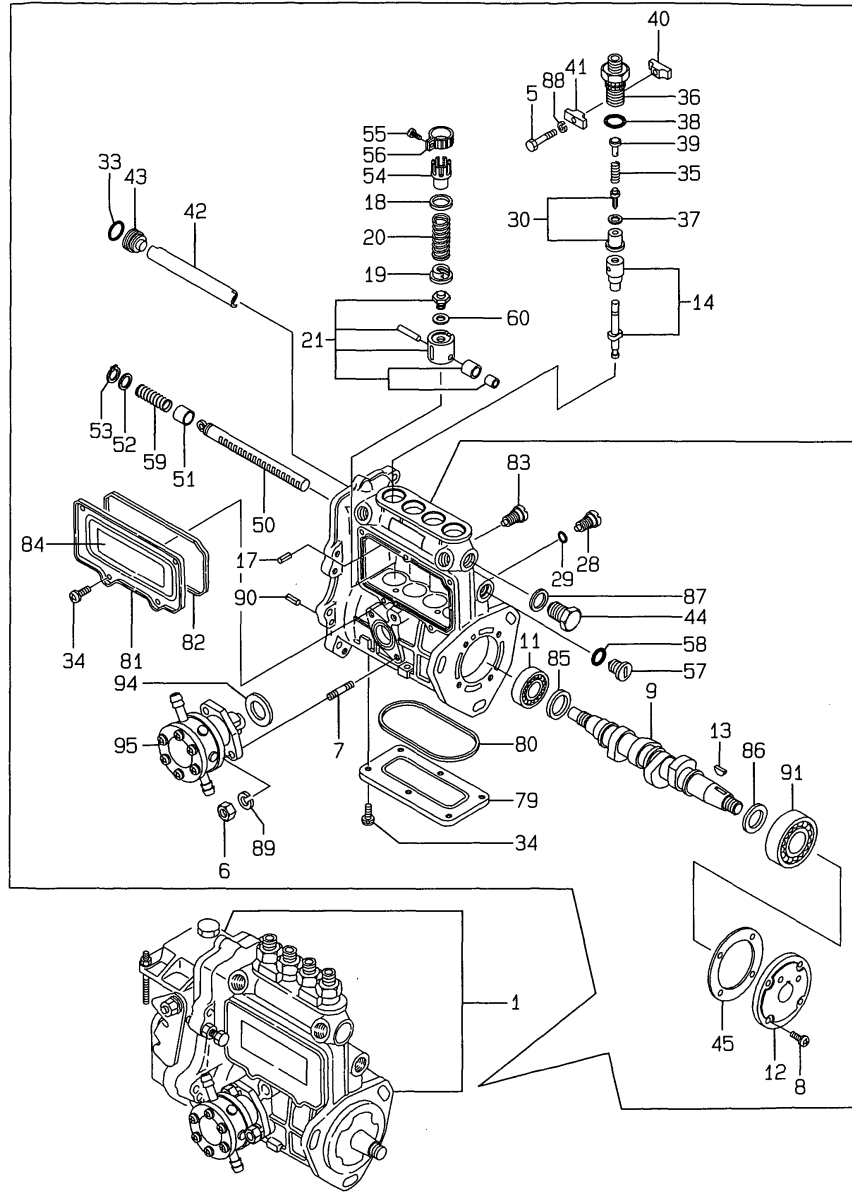
(C)=

(D)=

(E)=

(F)=

85.FUEL INJECTION PUMP



No.	Lev.	Parts No.	Description	Qty						I	R
				(A)	(B)	(C)	(D)	(E)	(F)		
1	1	729613-51410	PUMP ASSY, INJECTION	1							1
5	2	26116-050302	BOLT, M5X 30 PLATED	2							
6	2	26716-060002	NUT, M6	2							
7	2	129155-51020	STUD	2							
8	2	26022-060162	SCREW, M6X16	4							
9	2	129470-51040	CAMSHAFT	1							
11	2	129155-51050	BEARING, 17BM001D	2							
12	2	129155-51060	SUPPORT, CAMSHAFT	1							
13	2	122710-51090	KEY	1							
14	2	129412-51200	PLUNGER ASSY	4							
17	2	129155-51140	PIN	4							
18	2	174307-51170	RETAINER, SPRING A	4							
19	2	129155-51180	RETAINER, SPRING	4							
20	2	124950-51190	SPRING, PLUNGER	4							
21	2	129155-51200	TAPPET ASSY	4							
28	2	129155-51270	STOPPER, TAPPET	4							
29	2	129155-51280	O-RING, S6	4							
30	2	105300-51300	VALVE ASSY, DELIVERY	4							
33	2	24341-000160	O-RING, 1AS16.0	1							
34	2	26022-050102	SCREW, M5X10	11							
35	2	129155-51320	SPRING, DELIVERY	4							
36	2	129155-51340	RETAINER	4							
37	2	124550-51350	GASKET, DELIVERY	4							
38	2	124550-51370	O-RING	4							
39	2	129155-51370	STOPPER, VALVE	4							
40	2	129155-51380	STOPPER	2							
41	2	129155-51390	STOPPER	2							
42	2	129555-51400	DEFLECTOR	1							
43	2	129155-51410	BOLT	1							
44	2	129155-51420	PLUG, M16	1							
45	2	129155-51450	SHIM SET, ADJUSTING	1							
50	2	129555-51500	RACK, CONTROL	1							
51	2	129155-51521	BUSH, RACK	1							
52	2	129155-51530	SPACER	1							
53	2	129155-51540	CIRCLIP	1							
54	2	129155-51550	PINION, CONTROL	4							
55	2	122117-51560	SCREW	4							
56	2	174307-51560	PINION	4							
57	2	129155-51570	PLUG, M12	1							
58	2	129155-51580	O-RING	1							
59	2	129155-51591	SPRING, RACK	1							
60	2	129155-51600	SHIM SET, ADJUSTING	4							
79	2	129555-51700	COVER	1							
80	2	129555-51710	GASKET	1							
81	2	129555-51750	COVER	1							
82	2	129555-51760	GASKET	1							
83	2	129155-51790	STOOPER, RACK	1							
84	2	129156-51910	LABEL, CAUTION	1							
85	2	129155-51930	SPACER, T=3.25	1							
86	2	129155-51940	SPACER, T=1.5	1							
87	2	22190-160002	WASHER, SEAL 16	1							

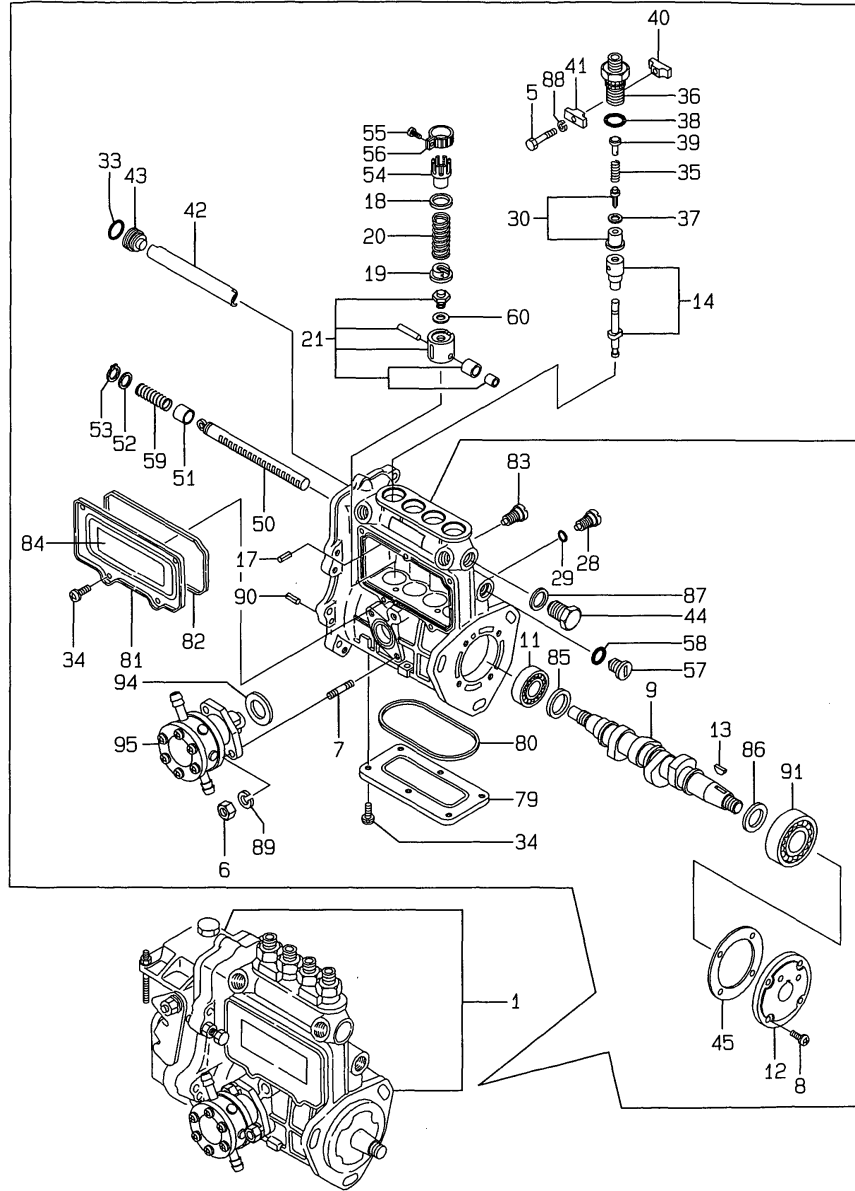
Remarks
 (1)GOVERNOR ASSY(FIG.86)IS
 INCORPORATED IN THIS FUEL
 INJECTION PUMP ASSY(REF.NO.1).

Fig.85. FUEL INJECTION PUMP

(A)=4TNE84T-GB2S
(B)=
(C)=

(D)=
(E)=
(F)=

85.FUEL INJECTION PUMP



No.	Lev.	Parts No.	Description	Q'ty						I	R
				(A)	(B)	(C)	(D)	(E)	(F)		
88	2	22217-050000	WASHER, SPRING 5	2							
89	2	22217-060000	WASHER, SPRING 6	2							
90	2	22351-050010	PIN, SPRING 5.0X10	2							
91	2	24101-063034	BEARING, BALL 6303	1							
94	2	129155-52050	GASKET	1							
95	2	129100-52100	PUMP ASSY, FUEL FEED	1							

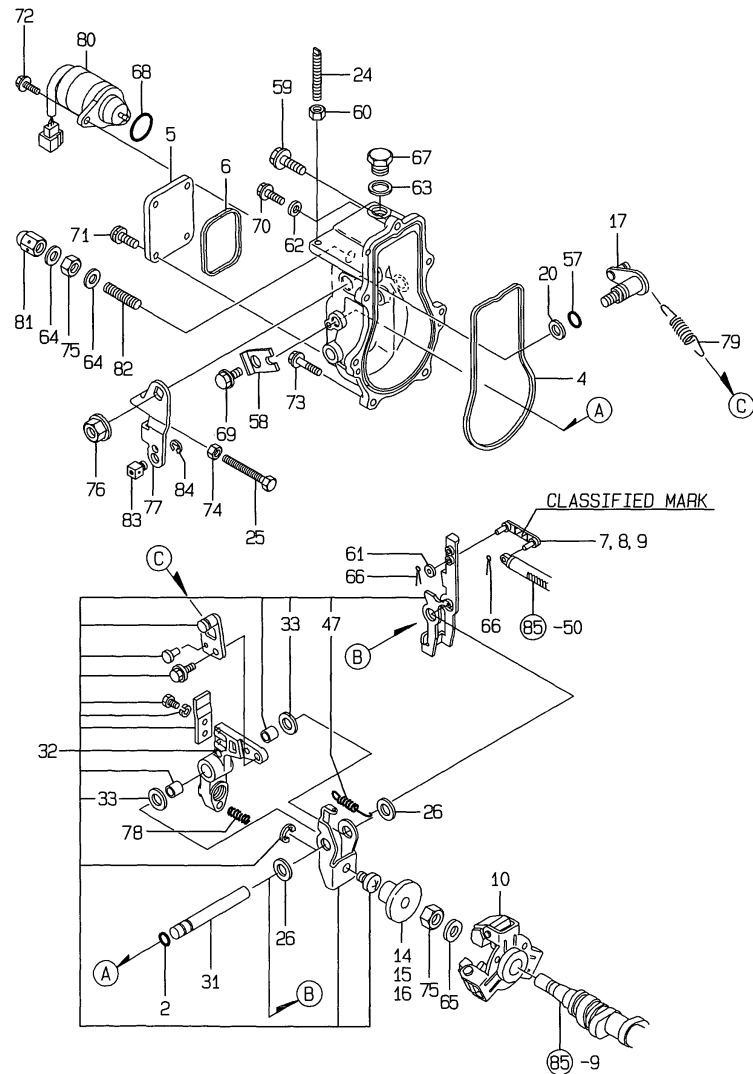
Remarks
(1)GOVERNOR ASSY(FIG.86)IS
INCORPORATED IN THIS FUEL
INJECTION PUMP ASSY(REF.NO.1).

Fig.86. GOVERNOR

(A)=4TNE84T-GB2S
(B)=
(C)=

(D)=
(E)=
(F)=

86. GOVERNOR



No.	Lev.	Parts No.	Description	Q'ty						I	R
				(A)	(B)	(C)	(D)	(E)	(F)		
2	2	129155-51280	O-RING, S6	1							
4	2	129052-61050	GASKET	1							
5	2	129052-61060	COVER, GOVERNOR CASE	1							
6	2	129052-61070	GASKET	1							
7	2	129155-61120	LINK, L=30 MARK 0	1							1
8	2	129155-61130	LINK, L=31 MARK 1	1							1
9	2	129155-61140	LINK, L=30.5 MARK 05	1							1
10	2	129155-61201	WEIGHT ASSY,GOVERNOR	1							
14	2	129155-61341	SLEEVE	1							2
15	2	129155-61350	SLEEVE, L=24.9	1							2
16	2	129155-61360	SLEEVE, L=25.2	1							2
17	2	129100-61400	SHAFT ASSY	1							
20	2	129155-61430	SPACER	1							
24	2	129155-61450	BOLT, LIMITER	1							
25	2	129155-61460	BOLT, IDLE	1							
26	2	129155-61480	SPACER ASSY	2							
31	2	129052-61390	SHAFT	1							
32	2	129412-61500	LEVER ASSY, GOVERNOR	1							
33	3	174307-51700	SHIM SET	2							
47	3	119843-61540	SPRING, SET	1							
57	2	129155-61830	O-RING, S10	1							
58	2	119660-61901	RETAINER, SHAFT	1							
59	2	129155-61950	BOLT	1							
60	2	124550-66370	NUT, M6	1							
61	2	22117-040000	WASHER, 4	1							
62	2	22190-060003	SEAL WASER 6	1							
63	2	22190-100002	WASHER, SEAL 10	1							
64	2	22190-120002	WASHER, SEAL 12	2							
65	2	22287-120000	WASHER, 12	1							
66	2	22372-040000	PIN, SNAP 4	2							
67	2	23887-100002	PLUG, 10	1							
68	2	24341-000280	O-RING, 1AS28.0	1							
68-1	2	158552-61900	O-RING	1							N
(A=EXXXXX)											
69	2	26106-060102	BOLT, M6X 10 PLATED	1							
70	2	26106-060102	BOLT, M6X 10 PLATED	1							
71	2	26106-060102	BOLT, M6X 10 PLATED	4							
72	2	26106-060142	BOLT, M6X 14 PLATED	2							
73	2	26106-060202	BOLT, M6X 20 PLATED	6							
74	2	26756-060002	NUT, LOCK M6	1							
75	2	26776-120002	NUT, LOCK M12	2							
76	1	26366-080002	NUT, M8	1							
77	1	171488-61440	LEVER, CONTROL	1							
78	1	129500-61650	SPRING, FUEL CONTROL	1							
79	1	129500-61700	SPRING, GOVERNOR	1							
80	1	119653-77950	SOLENOID, STOP	1							
81	1	26687-120002	NUT, CAP M12	1							
82	1	129155-61470	BOLT, CONTROL	1							
83	1	124756-67510	RETAINER	1							
84	1	22272-000070	RING, E- 7	1							

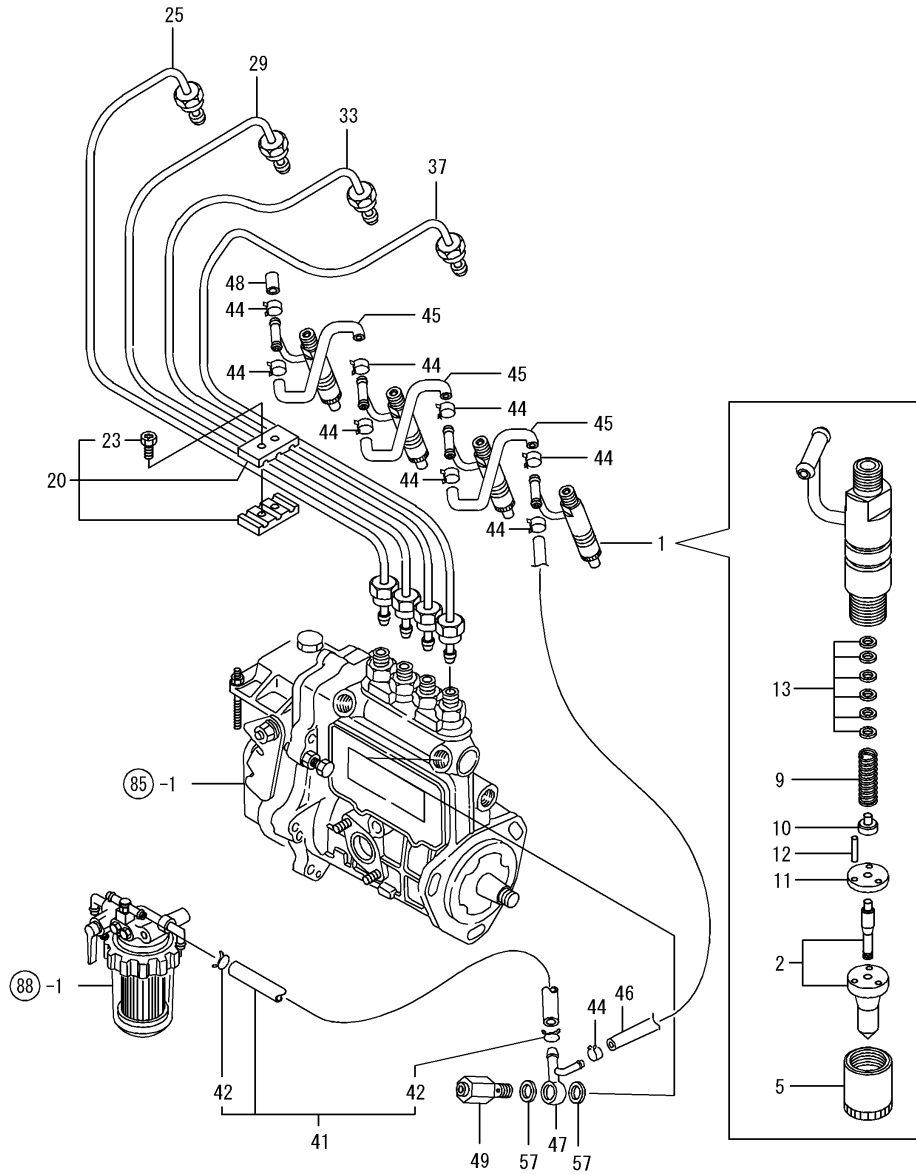
Remarks

(1) SELECTIVE PARTS: CERTAIN THE CLASSIFICATION MARK, THEN PLACE YOUR ORDER.(REFER TO ILLUSTRATION).

(2) SELECTIVE PARTS.

* THIS FIGURE(GOVERNOR ASSY) IS INCORPORATED IN THE FUEL INJECTION PUMP ASSY(FIG.85).

Fig.87. FUEL INJECTION VALVE



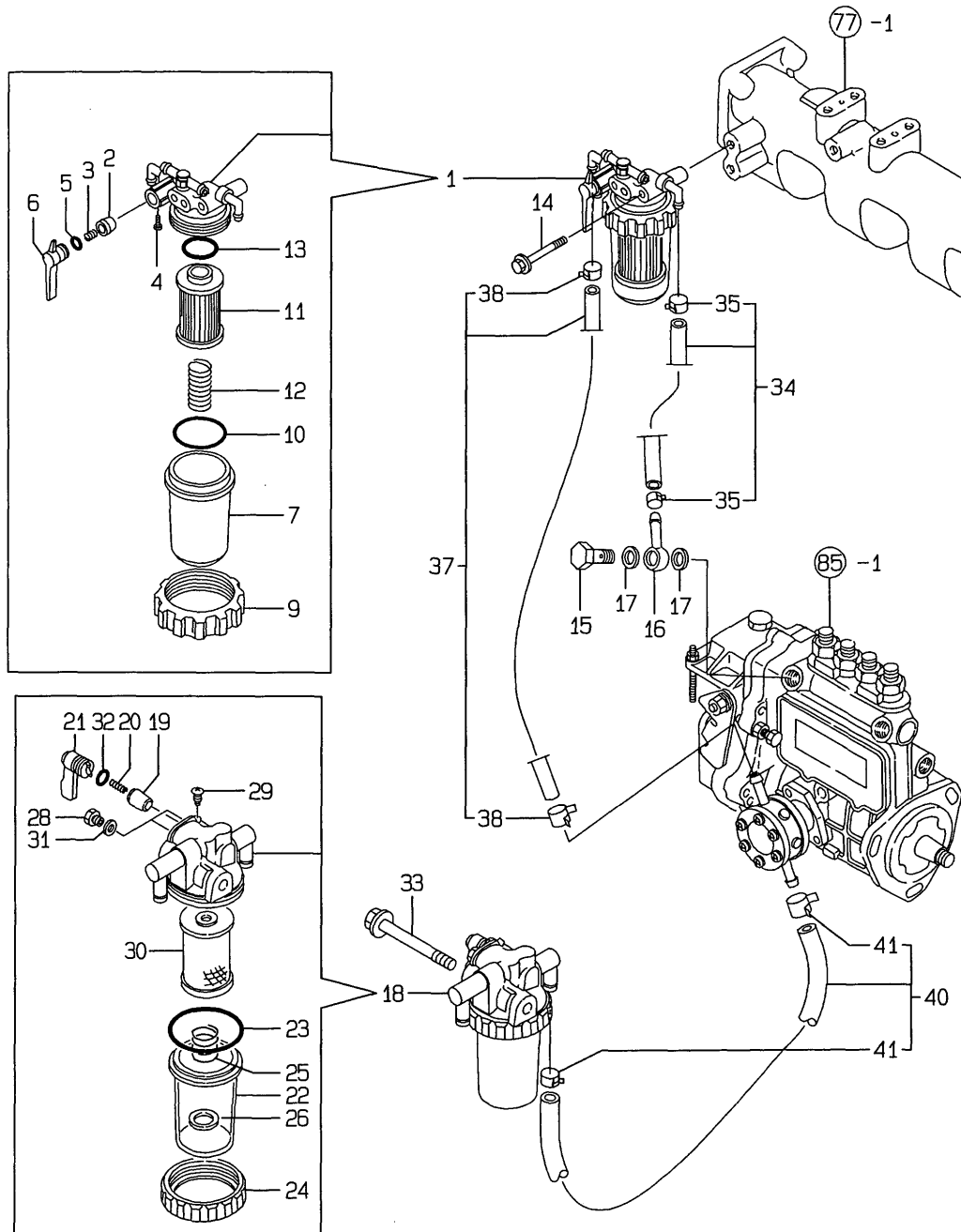
(A)=4TNE84T-GB2S
(B)=
(C)=

(D)=
(E)=
(F)=

No.	Lev.	Parts No.	Description	Q'ty						I	R
				(A)	(B)	(C)	(D)	(E)	(F)		
1	1	729503-53200	VALVE ASSY,INJECTION	4							
2	2	129503-53050	VALVE ASSY,INJECTION	4							
5	2	114250-53080	NUT, NOZZLE D16.95	4							
9	2	114250-53120	SPRING, NOZZLE	4							
10	2	114250-53130	SEAT, SPRING	4							
11	2	114250-53140	PLATE	4							
12	2	114250-53210	PIN	8							
13	2	114250-53400	SHIM SET	4							
20	1	129150-59120	RETAINER, PIPE	2							
23	2	129150-59131	BOLT, M4X14	4							
25	1	129400-59810	PIPE ASSY, INJECTION	1							
29	1	129400-59820	PIPE ASSY, INJECTION	1							
33	1	129400-59830	PIPE ASSY, INJECTION	1							
37	1	129400-59840	PIPE ASSY, INJECTION	1							
41	1	129210-59150	PIPE ASSY, FUEL	1							
42	2	124766-59050	CLIP, HOSE 12	2							
44	1	124066-59100	CLIP, HOSE 8	9							
45	1	121250-59550	PIPE, FUEL D8X120	3							
46	1	119840-59560	PIPE, FUEL RETURN	1							
47	1	119840-59570	JOINT	1							
48	1	129150-59580	CAP	1							
49	1	129100-59951	VALVE ASSY, CHECK	1							
57	1	23414-120000	GASKET, 12X1.0	2							

Fig.88. FUEL LINE

88.FUEL LINE



(A)=4TNE84T-GB2S

(B)=

(C)=

(D)=

(E)=

(F)=

No.	Lev.	Parts No.	Description	Q'ty						I	R
				(A)	(B)	(C)	(D)	(E)	(F)		
1	1	129052-55620	FILTER ASSY, FUEL	1							
2	2	104200-55321	VALVE, TAPER	1							
3	2	104200-55330	SPRING, VALVE	1							
4	2	104200-55750	SCREW, M4	1							
5	2	24311-240100	O-RING, 1AP10A	1							
6	2	129100-55670	LEVER	1							
7	2	129100-55680	CUP, STRAINER	1							
9	2	129100-55690	RING, RETAINING	1							
10	2	24321-000650	O-RING, 1AG65.0	1							
11	2	129100-55650	ELEMENT	1							
12	2	129100-55700	SPRING	1							
13	2	24311-000160	O-RING, 1AP16.0	1							
14	1	26014-080702	BOLT, M8X 70	1							
15	1	103854-39140	BOLT, PIPE JOINT	1							
16	1	101304-59020	JOINT, PIPE 12	1							
17	1	22190-120002	WASHER, SEAL 12	2							
18	1	129335-55700	SEPARATOR ASSY,WATER	1							
19	2	104200-55321	VALVE, TAPER	1							
20	2	104200-55330	SPRING, VALVE	1							
21	2	104200-55341	HANDLE	1							
22	2	124064-55510	COVER	1							
23	2	102103-55520	O-RING	1							
24	2	110250-55610	RING, RETAINING	1							
25	2	121257-55720	SPRING	1							
26	2	121257-55731	FLOAT	1							
28	2	101720-55750	PLUG, 6	2							
29	2	104200-55750	SCREW, M4	1							
30	2	171081-55910	SCREEN	1							
31	2	23418-060000	GASKET, 6X1.0	2							
32	2	24311-240100	O-RING, 1AP10A	1							
33	1	26014-080702	BOLT, M8X 70	1							
34	1	129210-59040	PIPE ASSY, FUEL	1							
35	2	124766-59050	CLIP, HOSE 12	2							
37	1	129210-59150	PIPE ASSY, FUEL	1							
38	2	124766-59050	CLIP, HOSE 12	2							
40	1	129210-59200	PIPE ASSY, FUEL	1							
41	2	124766-59050	CLIP, HOSE 12	2							

Fig.89. STARTING MOTOR

(A)=4TNE84T-GB2S

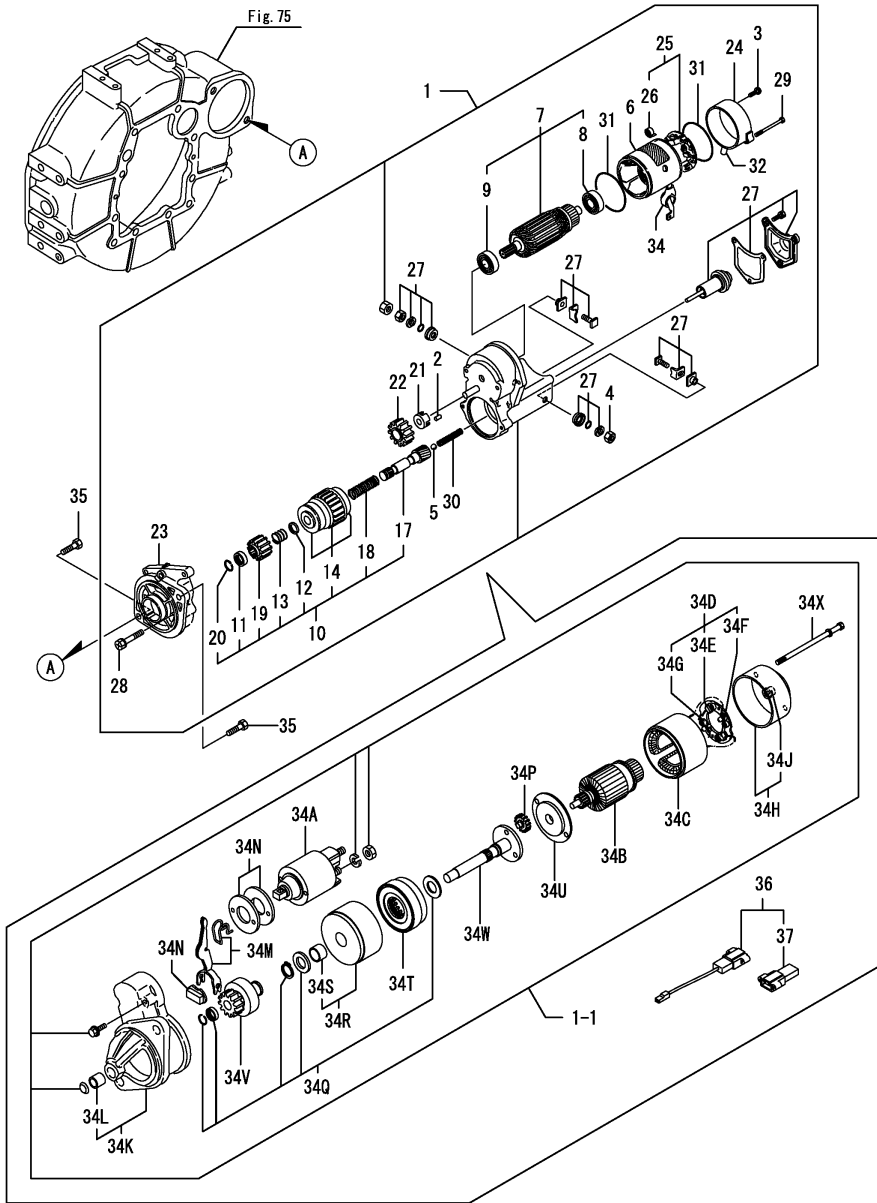
(B)=

(C)=

(D)=

(E)=

(F)=



No.	Lev.	Parts No.	Description	Q'ty						I	R
				(A)	(B)	(C)	(D)	(E)	(F)		
1	1	129407-77010	STARTER, RA1.4	1							
1-1	1	129608-77010	STARTER, S114-817A	1							F 1
		(A=E05898)									
2	2	X0283060061	ROLLER	5							Z
		(A=E05898)									
3	2	X0289030010	SCREW	2							Z
		(A=E05898)									
4	2	X9490561370	NUT	1							Z
		(A=E05898)									
5	2	X9491200240	BALL	1							Z
		(A=E05898)									
6	2	129407-77210	YOKE ASSY	1							Z
		(A=E05898)									
7	2	129407-77220	ARMATURE ASSY	1							Z
		(A=E05898)									
8	3	129129-77230	BEARING	1							Z
		(A=E05898)									
9	3	129129-77240	BEARING	1							Z
		(A=E05898)									
10	2	129407-77250	STARTER	1							Z
		(A=E05898)									
11	3	X0280210230	NUT	1							Z
		(A=E05898)									
12	3	X0283270140	RETAINER	1							Z
		(A=E05898)									
13	3	129407-77410	SPRING	1							Z
		(A=E05898)									
14	3	129407-77390	CLUTCH ASSY	1							Z
		(A=E05898)									
17	3	129129-77400	SHAFT	1							Z
		(A=E05898)									
18	3	129129-77410	SPRING, COIL	1							Z
		(A=E05898)									
19	3	129129-77420	PINION, STARTER	1							Z
		(A=E05898)									
20	3	129129-77430	RING	1							Z
		(A=E05898)									
21	2	129129-77260	RETAINER	1							Z
		(A=E05898)									
22	2	129129-77270	PINION	1							Z
		(A=E05898)									
23	2	129407-77280	HOUSING	1							Z
		(A=E05898)									
24	2	129129-77290	FRAME	1							Z
		(A=E05898)									
25	2	129407-77300	HOLDER ASSY	1							Z
		(A=E05898)									
26	3	X9491730461	SPRING	4							Z
		(A=E05898)									
27	2	129407-77310	SWITCH ASSY	1							Z
		(A=E05898)									

Remarks
 (1) Ref.no.1-1 & 36 Interchangeable
 by set.

Fig.89. STARTING MOTOR

(A)=4TNE84T-GB2S

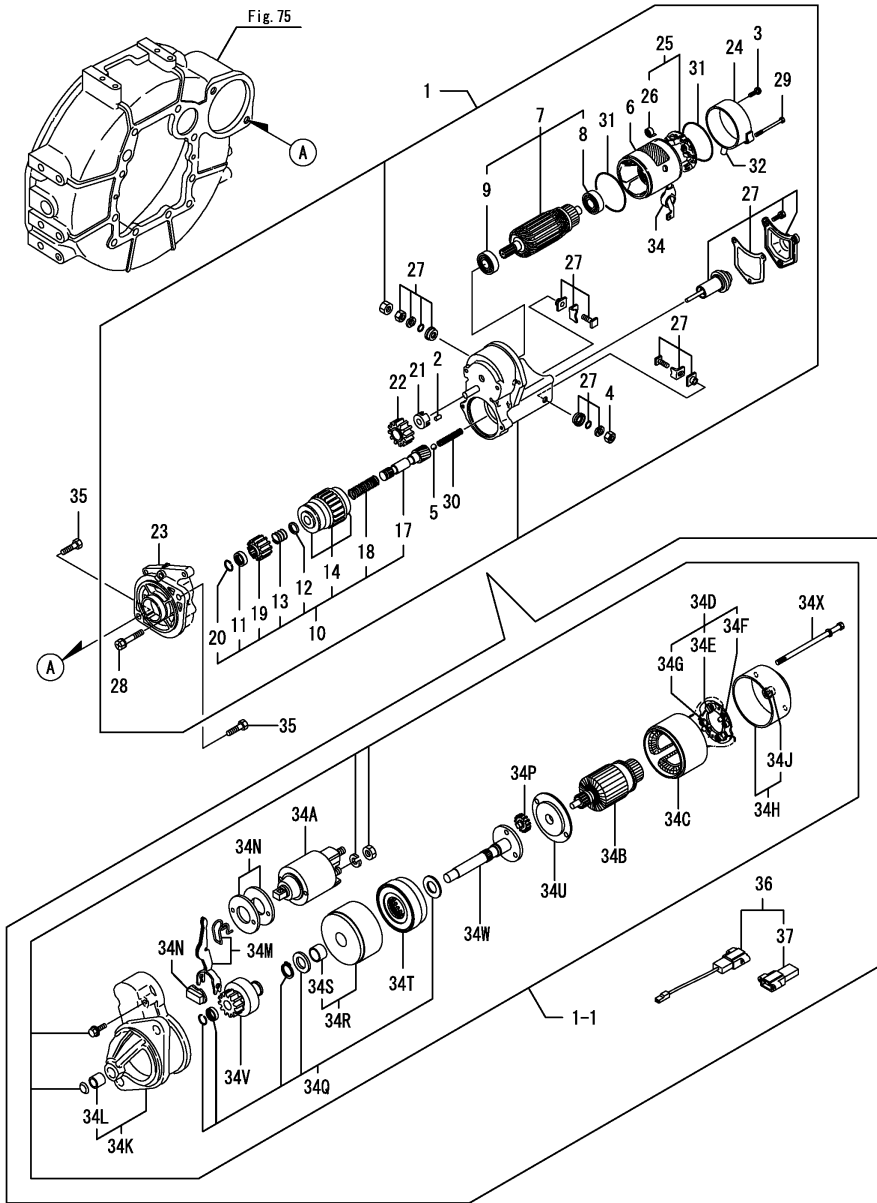
(B)=

(C)=

(D)=

(E)=

(F)=



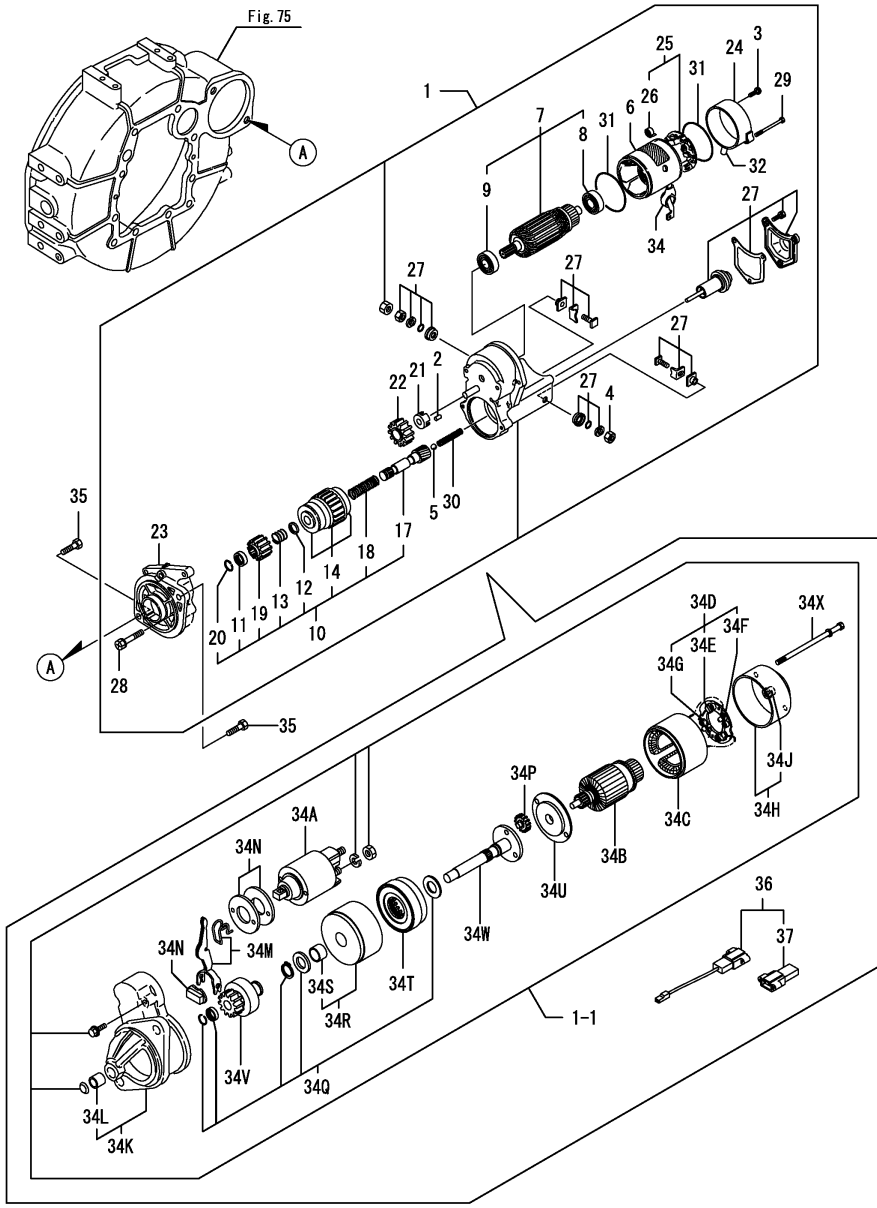
No.	Lev.	Parts No.	Description	(A)	(B)	(C)	Q'ty	(D)	(E)	(F)	I	R
28	2	129129-77320	BOLT	2							Z	
		(A=E05898)										
29	2	129407-77330	BOLT	2							Z	
		(A=E05898)										
30	2	129129-77340	SPRING	1							Z	
		(A=E05898)										
31	2	129129-77350	O-RING	2							Z	
		(A=E05898)										
32	2	129129-77361	BUSH	1							Z	
		(A=E05898)										
34	2	129129-77380	CAP	1							Z	
		(A=E05898)										
34A	2	129698-77020	SWITCH ASSY	1							W	
		(A=E05898)										
34B	2	129698-77101	ARMATURE ASSY	1							W	
		(A=E05898)										
34C	2	129608-77110	YOKE ASSY	1							W	
		(A=E05898)										
34D	2	129698-77120	HOLDER ASSY, BRUSH	1							W	
		(A=E05898)										
34E	3	129698-77140	BRUSH SET	1							W	
		(A=E05898)										
34F	3	129698-77130	BRUSH	2							W	
		(A=E05898)										
34G	3	129698-77150	SPRING, BRUSH	4							W	
		(A=E05898)										
34H	2	129698-77161	COVER ASSY	1							W	
		(A=E05898)										
34J	3	129698-77170	BEARING	1							W	
		(A=E05898)										
34K	2	129698-77260	CASE ASSY	1							W	
		(A=E05898)										
34L	3	X2114535200	METAL, STARTER	1							W	
		(A=E05898)										
34M	2	129698-77270	LEVER SET, SHIFT	1							W	
		(A=E05898)										
34N	2	129698-77280	COVER KIT	1							W	
		(A=E05898)										
34P	2	129698-77240	GEAR	3							W	
		(A=E05898)										
34Q	2	129698-77250	WASHER SET	1							W	
		(A=E05898)										
34R	2	129698-77180	BRACKET	1							W	
		(A=E05898)										
34S	3	129698-77190	BRACKET	1							W	
		(A=E05898)										
34T	2	129698-77200	GEAR, INTERNAL	1							W	
		(A=E05898)										
34U	2	129698-77210	BRACKET	1							W	
		(A=E05898)										
34V	2	129698-77220	PINION ASSY	1							W	

Remarks
 (1) Ref.no.1-1 & 36 Interchangeable by set.

Fig.89. STARTING MOTOR

(A)=4TNE84T-GB2S
(B)=
(C)=

(D)=
(E)=
(F)=

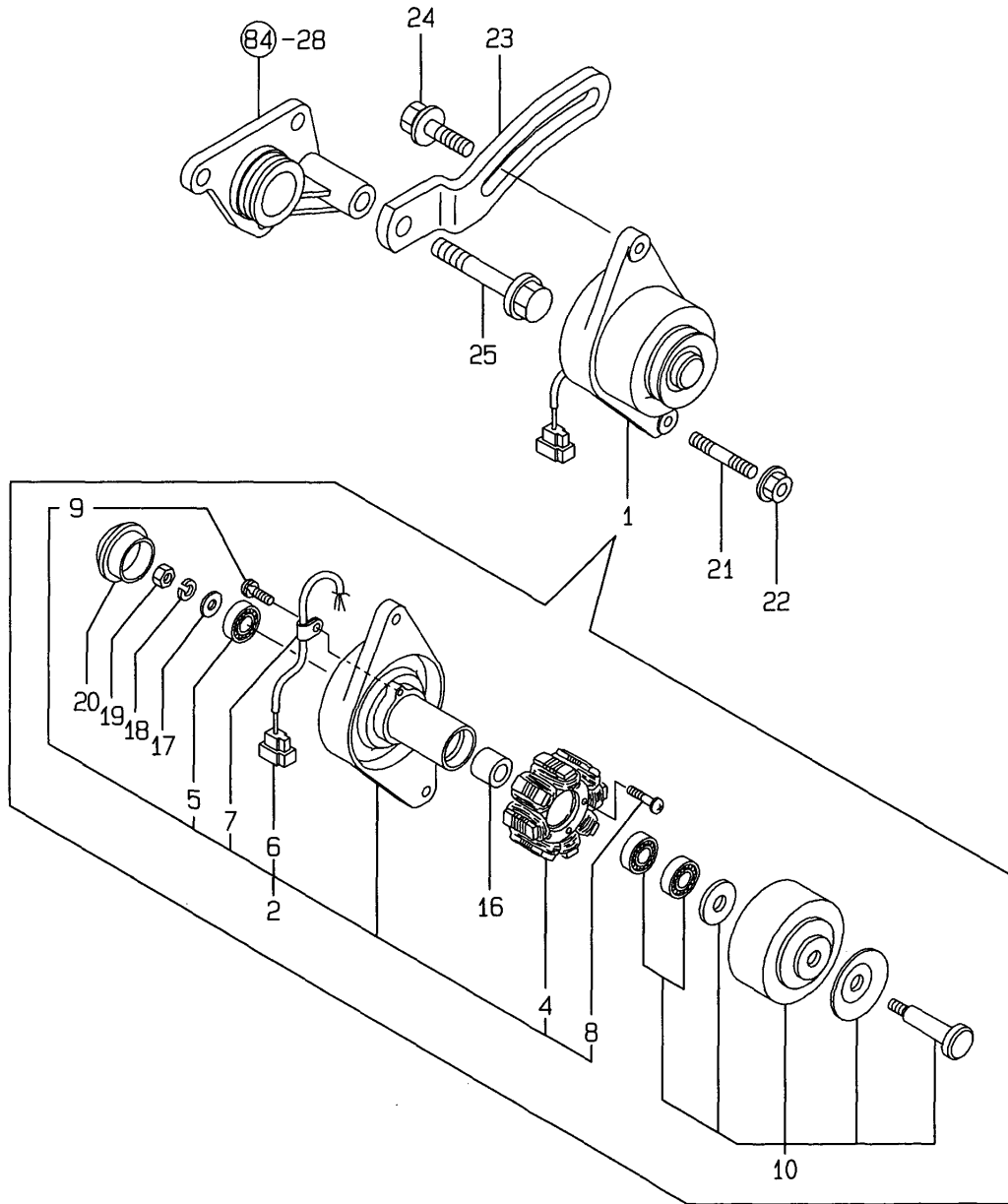


No.	Lev.	Parts No.	Description	Q'ty						I	R
				(A)	(B)	(C)	(D)	(E)	(F)		
		(A=E05898)									
34W	2	129698-77230	SHAFT	1							W
		(A=E05898)									
34X	2	124195-77770	BOLT, THROUGH	2							W
		(A=E05898)									
35	1	26116-120252	BOLT, M12X 25 PLATED	2							
36	1	129052-77951	CONNECTOR, STARTER	1							W 1
		(A=E05898)									
37	2	129052-77960	HOUSING	1							W 1
		(A=E05898)									

Remarks
(1) Ref.no.1-1 & 36 Interchangeable by set.

Fig.90. GENERATOR

90.GENERATOR



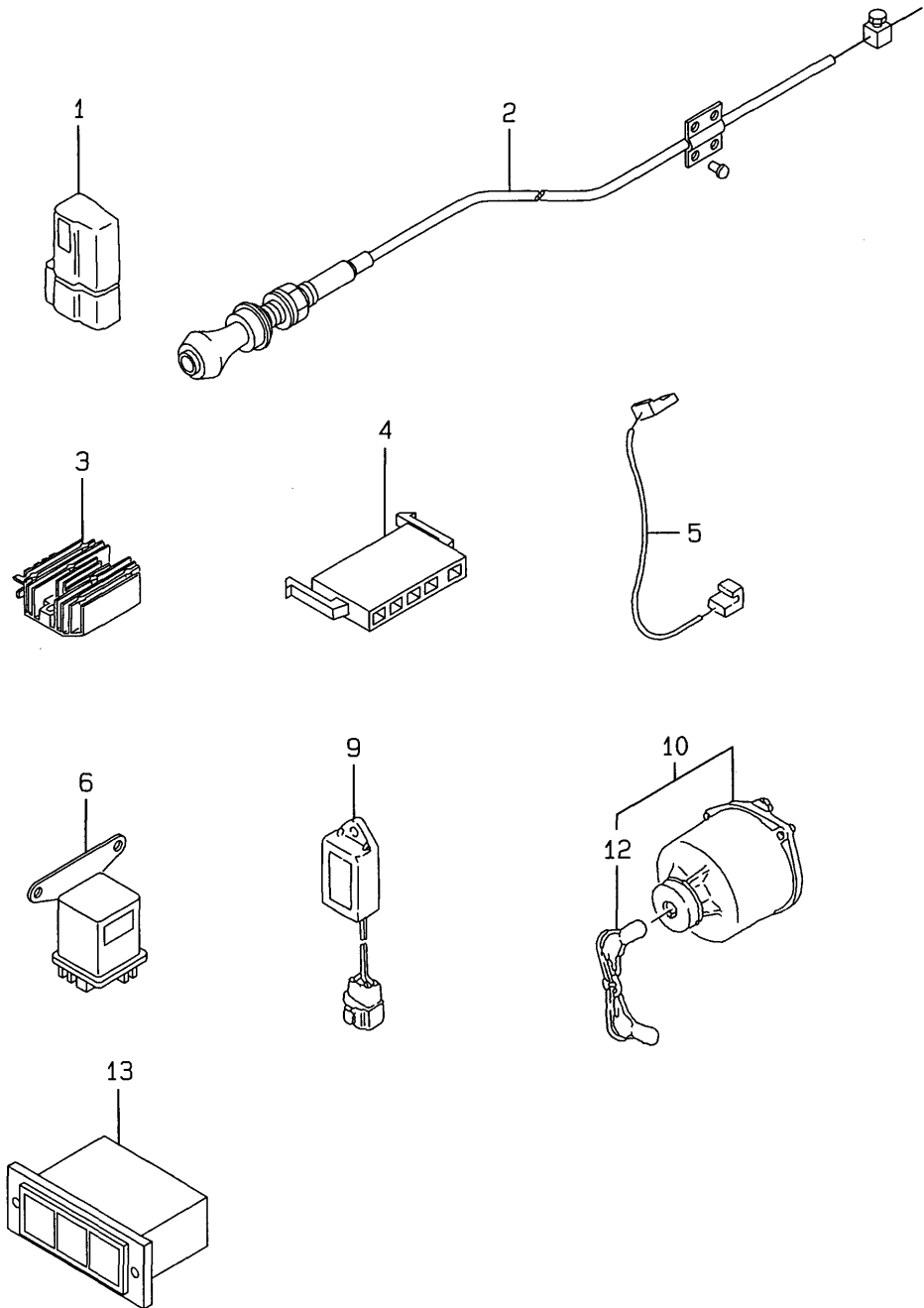
(A)=4TNE84T-GB2S
(B)=
(C)=

(D)=
(E)=
(F)=

No.	Lev.	Parts No.	Description	Q'ty						I	R
				(A)	(B)	(C)	(D)	(E)	(F)		
1	1	171301-77201	DYNAMO ASSY, 15A	1							
2	2	XM08137	PLATE ASSY	1							
4	3	XM08180	STATOR SET	1							
5	3	XM27436	BEARING, BALL	1							
6	3	XM17878	COUPLER	1							
7	3	XM36410	CLAMP	1							
8	3	26022-040252	SCREW, M4X25	2							
9	3	XYSPTS4008	SCREW	1							
10	2	XM82184	FLYWHEEL ASSY	1							
16	2	106383-44720	SPACER	1							
17	2	106383-44730	WASHER	1							
18	2	22212-100000	SPRING WASHER 10	1							
19	2	26716-100002	NUT, M10	1							
20	2	XM61014	CAP	1							
21	1	129795-01900	STUD	1							
22	1	26366-100002	NUT, M10	1							
23	1	129619-77330	ADJUSTER	1							
24	1	119810-77340	BOLT, ADJUSTER	1							
25	1	26106-080502	BOLT, M8X 50 PLATED	1							

Fig.91. ELECTRICAL PARTS

91.ELECTRICAL PARTS



(A)=4TNE84T-GB2S
(B)=
(C)=

(D)=
(E)=
(F)=

No.	Lev.	Parts No.	Description	Q'ty						I	R
				(A)	(B)	(C)	(D)	(E)	(F)		
1	1	119643-66900	DIODE	1							
2	1	170029-67100	CABLE, PUSH-PULL	1							
3	1	119660-77710	LIMITER, CURRENT 15A	1							
3-1	1	119660-77711 (A=*1999.07.)	LIMITER, CURRENT 15A	1							N
4	1	171301-77720	COUPLER	1							
5	1	119643-77900	CONNECTOR, STARTER	1							
6	1	119650-77910	RELAY ASSY, GLOW	1							
9	1	119632-77920	TIMER	1							
10	1	129115-91250	SWITCH ASSY	1							
12	2	129115-91270	KEY ASSY	1							
13	1	170038-91310	LAMP	1							

Fig.92. GASKET SET & TOOLS

(A)=4TNE84T-GB2S

(B)=

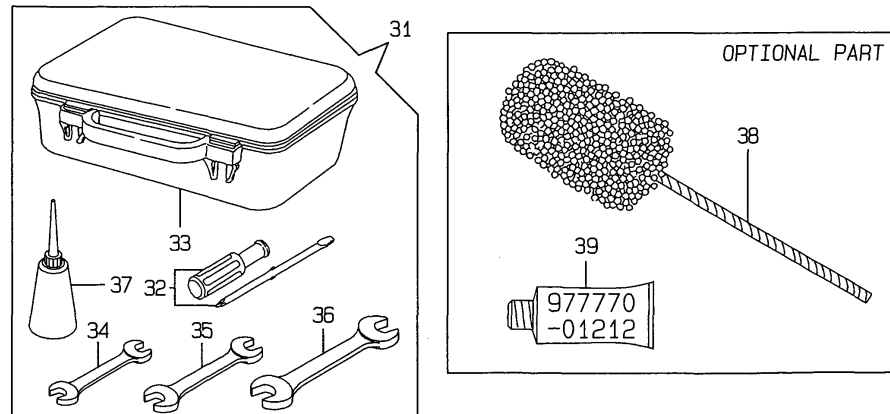
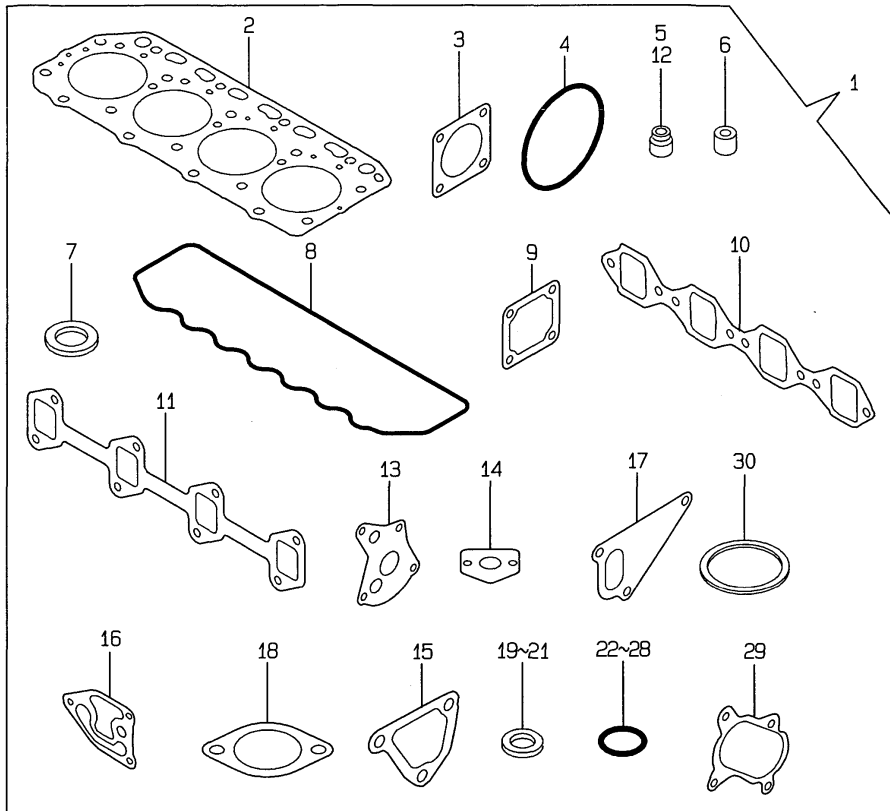
(C)=

(D)=

(E)=

(F)=

92.GASKET SET & TOOL



No.	Lev.	Parts No.	Description	Q'ty						I	R
				(A)	(B)	(C)	(D)	(E)	(F)		
1	1	729418-92620	GASKET SET	1							1
2	2	129408-01330	GASKET, HEAD	1							
3	2	124240-01883	GASKET	1							
4	2	121850-51960	O-RING	1							
5	2	124460-11340	SEAL, VALVE STEM	4							
6	2	119625-11870	PROTECTOR, NOZZLE	4							
7	2	119625-11880	SEAT, NOZZLE	4							
8	2	129550-11310	GASKET, BONNET	1							
9	2	129150-77511	GASKET	1							
10	2	129550-12111	GASKET, MANIFOLD	1							
11	2	129550-13110	GASKET	1							
12	2	121400-11340	SEAL, VALVE STEM	4							
13	2	129150-32020	GASKET, PUMP	1							
14	2	129150-35041	GASKET	1							
15	2	129100-49840	GASKET	1							
16	2	129103-35122	GASKET	1							
17	2	129100-42020	GASKET, WATER PUMP	1							
18	2	129795-49551	GASKET	1							
19	2	124465-44950	GASKET, 16	2							
20	2	23414-120000	GASKET, 12X1.0	2							
21	2	23414-100000	GASKET, 10X1.0	2							
22	2	24311-000120	O-RING, 1AP12.0	3							
23	2	24311-000160	O-RING, 1AP16.0	3							
24	2	24314-000160	O-RING, 4CP16.0	1							
25	2	24311-000320	O-RING, 1AP32.0	1							
26	2	24311-000320	O-RING, 1AP32.0	1							
27	2	24341-000500	O-RING, 1AS50.0	1							
28	2	24341-000240	O-RING, 1AS24.0	1							
29	2	129403-18081	GASKET	1							
30	2	129150-49811	GASKET, THERMOSTAT	1							
31	1	721400-92102	BOX ASSY, TOOL	1							
32	2	104200-92350	DRIVER, SCREW	1							
33	2	104200-92600	BOX, TOOL	1							
34	2	28110-100120	SPANNER, 10X12	1							
35	2	28110-140170	SPANNER, 14X17	1							
36	2	28110-190220	SPANNER, 19X22	1							
37	2	28210-000140	OILER	1							
38	1	129400-92420	HONE	1							1
39	1	977770-01212	GASKET, LIQUID	1							1

Remarks
(1) OPTIONAL PART.

Parts No. Index

Parts No.	Fig. No.	Ref. No.
101304-59020	14	42
	32	22
	50	16
	68	16
	88	16
101720-55750	14	28
	32	49
	50	28
	68	28
	88	28
102103-55520	14	6
		23
	32	5
		44
	50	23
	68	23
	88	23
103854-39140	50	15
	68	15
	88	15
104200-55321	14	2
		19
	32	11
		40
	50	2
		19
	68	2
		19
	88	2
		19
104200-55330	14	3
		20
	32	2
		41
	50	3
		20
	68	3
		20
	88	3
		20
104200-55341	14	21
	32	42
	50	21
	68	21
	88	21
104200-55750	14	13
		29
	32	9
		50
	50	4

Parts No.	Fig. No.	Ref. No.
104200-55750	50	29
	68	4
		29
	88	4
		29
104200-59170	14	46
	18	25
	32	26
	36	20
	18	30
104200-92350	36	33
	54	25
	72	30
	92	32
	18	35
104200-92600	36	34
	54	26
	72	31
	92	33
	22	28
104211-11370		28
104264-59030	14	37
		40
	32	17
		20
	10	15
104514-42780		15
105010-11230	4	37
		41
	22	39
		43
	31	39
105025-59550		39
105225-23200		31
105300-51300	47	28
	65	28
	85	30
	11	25
	29	25
105546-51330		25
105582-59150	14	45
	32	25
	16	16
	34	16
	52	16
106383-44720	70	16
	90	16
	16	17
	34	17
	52	17
106383-44730	70	17
	90	17
	14	7
		24
	14	7
110250-55610		7
		24

Parts No.	Fig. No.	Ref. No.
110250-55610	32	6
		45
	50	24
	68	24
	88	24
114250-11120	4	21
	4	22
	49	5
	67	5
	87	5
114250-53120	49	9
	67	9
	87	9
	13	9
	31	9
114250-53130	49	10
	67	10
	87	10
	49	11
	67	11
114250-53140	87	11
	49	12
	67	12
	87	12
	13	11
114250-53400	31	11
	49	13
	67	13
	87	13
	26	24
114350-22301		24
118400-03060		57
119131-18320	22	57
	6	9
		12
	24	7
	42	5
119209-35030	60	5
	78	2
	9	26
	27	30
	36	27
119209-59810	13	23
	13	27
	13	31
	7	18
	9	16
119225-14200		16
119225-35300		16
119225-51100		4
119225-51300		22
119225-59030		41
		21

Parts No.	Fig. No.	Ref. No.
119225-59560	13	47
	31	47
	40	64
	58	65
	12	43
119226-07900		43
119232-61540	30	43
	5	15
	5	21
	14	33
	13	35
119249-12500	15	1 -1
	33	1 -1
	10	29
	64	64
	84	58
119249-12610		17
119249-55900		20
119249-59540		1
119255-77010		13
119259-44570	3	13
	1	6
	4	52
	4	53
	18	11
119260-01490		7
119260-01510		7
119260-01590		19
119260-01770		20
119260-02020		29
119260-03020		30
119260-03031		33
119260-07900		34
119260-11100		35
119260-11110		56
119260-11200		12
119260-11240		4
119260-11260		50
119260-11270		25
119260-11280		8
119260-11310		26
119260-11330		13
119260-11340		11
119260-11370		18
119260-11800		1
119260-12111		2
119260-13100		14
119260-13110		7
119260-14100		7
119260-14200		1
119260-14400		2
119260-14580		3
119260-21200		5
119260-21650		8

Parts No. Index

Parts No.	Fig. No.	Ref. No.
119260-23910	8	30
119260-25100	7	11
119260-32000	9	1
119260-35081	9	25
119260-42020	10	13
	18	17
119260-59020	14	36
	32	16
119260-59520	13	41
	31	37
119260-59530	13	37
	31	38
119260-59550	13	38
119260-66010	12	60
119260-66720	12	75
	30	75
119265-01341	1	24
	18	2
119265-11260	4	45
119265-11700	4	9
119265-21700	8	1
119265-22090	8	16
119265-22300	8	24
119265-22500	8	18
119265-23100	8	26
119265-23200	8	31
119265-34820	9	14
119265-35300	9	37
119265-42002	10	1
119265-44590	10	45
119266-01200	1	23
119266-02410	1	22
119285-66080	12	52
	30	52
119288-12050	5	13
	23	4
119288-12100	5	10
119288-12590	5	2
119288-13501	6	15
119288-13650	6	18
119288-61200	12	14
	30	14
119288-61510	12	28
	30	28
119288-77340	32	34
119305-35150	9	15
	27	17
119454-01721	3	11
119462-12550	5	1
119600-01050	19	5

Parts No.	Fig. No.	Ref. No.
119600-01600	3	2
	21	2
119600-01722	21	9
119600-01770	21	11
119600-11450	4	27
	18	9
	22	31
	36	9
119600-11460	4	28
	18	10
	22	30
	36	10
119600-21580	8	12
	26	12
119600-35091	27	29
119600-52021	14	50
	32	30
119600-61100	12	4
	30	4
119600-61200	12	5
	30	5
119600-61541	12	44
	30	44
119600-61650	12	46
119600-61900	12	50
	30	50
119600-66020	30	60
119600-66530	30	69
119600-66840	12	101
	30	100
119600-77330	34	21
119610-01490	20	14
119610-01590	20	1
119620-01200	19	23
119620-01620	3	6
	21	4
119620-01750	3	4
	21	18
	39	3
	57	3
	75	3
119620-01800	2	4
	20	4
119620-02020	19	6
119620-02450	7	4
	19	25
	25	4
119620-03020	22	52
119620-03031	22	53
	36	6

Parts No.	Fig. No.	Ref. No.
119620-11110	22	22
119620-11120	22	23
119620-11180	22	24
119620-11200	22	32
119620-11240	22	33
119620-11260	22	36
119620-11280	22	37
119620-11310	22	56
	36	12
119620-11330	22	51
119620-11350	4	46
	22	48
119620-11801	22	15
119620-12111	23	2
	36	13
119620-13110	24	2
	36	14
119620-13550	6	11
119620-14100	25	7
119620-14200	25	1
119620-14401	25	2
119620-21941	8	10
	26	10
119620-23910	26	29
119620-25102	25	11
119620-25912	7	13
	25	13
119620-42020	28	12
	36	17
119620-42320	28	10
119620-42350	10	16
119620-51101	29	4
119620-51170	11	7
	29	7
119620-51180	11	8
	29	8
119620-51190	11	9
	29	9
119620-51250	11	10
	29	10
119620-51300	29	22
119620-51340	11	26
	29	26
119620-51350	11	27
	29	27
119620-51370	11	28
	29	28
119620-51450	11	29
	29	29
119620-51461	11	30

Parts No.	Fig. No.	Ref. No.
119620-51461	29	30
119620-51510	11	32
	29	32
119620-51650	11	34
	29	34
119620-51660	11	35
	29	35
119620-51670	11	36
	29	36
119620-51680	11	37
	29	37
119620-51700	11	38
	29	38
119620-53000	13	3
	31	3
119620-53080	13	6
	31	6
119620-53120	13	8
	31	8
119620-53140	13	10
	31	10
119620-59700	13	42
	31	42
119620-59811	31	23
119620-59821	31	27
119620-59831	31	31
119620-77011	15	1
	33	1
119620-77820	4	62
	22	64
119621-21680	8	9
	26	9
119621-44500	10	28
119621-44560	10	44
119621-66051	12	61
	30	61
119623-01330	19	24
	36	3
119623-01950	2	26
	20	23
119623-11100	22	21
119623-21700	26	1
119623-22080	26	16
119623-22500	26	18
119623-22900	26	34
119623-22950	26	36
119623-34820	27	14
119623-44500	28	52
119624-02410	19	21
119625-11870	40	45

Parts No. Index

Parts No.	Fig. No.	Ref. No.
119625-11870	58	34
	72	6
	76	32
	92	6
119625-11880	40	46
	58	35
	72	7
	76	33
	92	7
119625-11900	40	47
	58	36
	76	34
119629-14580	25	3
119629-66510	12	69
119631-12520	5	16
	23	7
119631-12530	5	17
	23	8
119631-12540	5	18
	23	9
119631-12550	5	19
	23	10
119631-12570	5	20
	23	11
119631-13101	24	1
119632-07900	22	65
119632-12551	23	16
119632-12590	23	17
119632-55620	14	1
	32	1
119632-77920	17	9
	35	9
	53	9
	71	9
	91	9
119640-12580	5	4
	23	19
119640-42290	28	14
119642-33030	9	29
	27	33
119642-33100	9	30
	27	34
119642-42000	28	1
119642-42350	28	15
119642-49030	9	32
	27	37
119642-59540	31	35
119642-59550	13	39
	31	40
119642-59570	13	40

Parts No.	Fig. No.	Ref. No.
119642-59570	31	41
119643-66900	17	1
	35	1
	53	1
	71	1
	91	1
119643-77900	17	5
	35	5
	53	5
	71	5
	91	5
119644-21200	26	5
119645-12100	23	1
119645-49020	10	31
	28	36
119649-12500	23	6
119649-12610	23	12
119650-59200	14	54
	32	35
119650-77910	17	6
	35	6
	53	6
	71	6
	91	6
119653-66500	12	63
	30	63
119653-77950	48	82
	66	82
	86	80
119660-01510	20	17
119660-01551	2	23
	20	20
119660-01562	2	24
	18	6
	20	21
	36	4
119660-01570	2	25
	20	22
119660-01640	3	7
	21	5
119660-01821	7	17
	25	17
119660-01911	2	5
	20	5
119660-21651	26	8
119660-25022	7	9
	25	9
119660-25052	7	10
	25	10
119660-32001	27	1

Parts No.	Fig. No.	Ref. No.
119660-32020	9	11
	18	16
	27	11
	36	16
119660-35102	27	15
119660-35113	27	16
	36	2
119660-35300	27	18
119660-51500	11	31
	29	31
119660-51530	11	33
	29	33
119660-61052	12	18
	30	18
119660-61060	12	2
	30	2
119660-61071	12	3
	30	3
119660-61121	12	11
	30	11
119660-61140	12	12
	30	12
119660-61150	12	13
	30	13
119660-61300	12	9
	30	9
119660-61341	12	10
	30	10
119660-61460	12	19
	30	19
119660-61491	12	27
	30	27
119660-61650	30	46
119660-61901	12	51
	30	51
	48	59
	66	59
	86	58
119660-77710	17	3
	35	3
	53	3
	71	3
	91	3
119660-77711	17	3 -1
	35	3 -1
	53	3 -1
	71	3 -1
	91	3 -1
119688-13651	24	13
119688-49010	10	30

Parts No.	Fig. No.	Ref. No.
119802-13650	78	4 -1
119802-13670	78	5 -1
119802-13820	78	6 -2
119810-51040	47	7
119810-55340	14	4
	32	3
119810-77340	16	22
	52	24
	70	24
	90	24
119823-13600	24	9
119840-13150	24	3
119840-59560	49	35
	67	46
	87	46
119840-59570	49	36
	67	47
	87	47
119843-61540	48	48
	66	48
	86	47
119865-21600	8	15
	26	15
	44	16
	62	16
	81	16
119865-42290	84	15
119888-13501	24	11
119888-13600	6	17
	24	12
119888-13670	6	7
	24	14
119888-13680	6	8
	24	15
120130-11860	40	12
	58	15
	76	13
121000-13201	6	6
		14
	18	15
	24	4
	36	15
121023-01550	2	14
	20	32
	38	25
	56	25
	74	25
121024-59090	14	53
	32	38

Parts No. Index

Parts No.	Fig. No.	Ref. No.
121111-21501	8	11
	26	11
	44	12
	62	12
	81	12
121120-01620	3	3
	21	3
121120-77930	15	15
	33	15
121250-44590	64	68
	84	62
121250-44901	10	26
	28	23
	46	34
	64	27
	84	33
121250-49121	10	42
	28	50
	46	62
	64	61
	84	55
121250-55620	14	8
	32	7
121250-59550	49	34
	67	45
	87	45
121252-39150	83	2
121254-55510	14	5
	32	4
121256-44600	10	38
	28	34
	46	47
	64	47
	84	46
121257-55720	14	25
	32	46
	50	25
	68	25
	88	25
121257-55731	14	26
	32	47
	50	26
	68	26
	88	26
121267-44760	10	18
121400-01640	3	14
121400-11340	40	28
	58	29
	72	12
	76	27

Parts No.	Fig. No.	Ref. No.
121400-11340	92	12
121400-12540	41	21
	59	21
	77	21
121400-12560	41	22
	59	22
	77	22
121400-12570	41	23
	59	23
	77	23
121400-44910	10	48
	28	46
	46	58
	64	58
121420-12511	84	52
	41	12
	59	12
	77	12
	77	12
121420-12540	41	15
	59	15
	77	15
	77	15
	77	15
121420-12550	41	16
	59	16
	77	16
121420-12561	41	17
	59	17
	77	17
121422-12530	41	14
	59	14
	77	14
121422-12570	41	18
	59	18
	77	18
121422-12580	41	19
	59	19
	77	19
121450-01560	2	21
	20	18
	38	6
	56	6
	74	6
121450-42450	10	25
	28	25
	46	33
	64	29
	84	26
121450-49110	10	40
	28	48
	46	60
	64	59

Parts No.	Fig. No.	Ref. No.
121450-49110	84	53
121450-77330	16	21
121465-12700	5	23
	23	14
	23	14
121465-59950	12	68
	30	111
	5	22
121472-12660	23	13
	5	24
121492-12950	23	15
	14	49
	18	24
121520-01851	32	29
	9	13
	27	13
121520-34810	45	14
	63	14
	82	22
	5	14
	23	5
121521-12400	41	6
	59	6
	41	11
	59	11
	77	11
121550-23200	44	30
	62	30
	81	30
121550-49111	10	24
	28	26
	12	100
121575-66830	30	99
	84	32
	44	11
121750-49110	62	11
	81	11
	81	11
121850-21680	38	13
	54	4
	56	13
	72	4
	74	12
121850-51960	92	4
	9	28
	27	35
	47	51
	65	51
121851-11970	85	55
	47	11
	65	11
	65	11
	85	13
122117-51560	47	51
122710-51090	65	51
	85	55
	47	11
	65	11
	85	13

Parts No.	Fig. No.	Ref. No.
123682-44210	28	53
	46	39
124060-01050	1	5
124064-55510	14	22
	32	43
	50	22
	68	22
	88	22
124066-59100	13	36
	14	15
	31	36
124070-13300	32	32
	49	33
	67	44
	87	44
	83	14
124085-02220	3	9
	21	7
124160-01751	2	12
	4	51
	20	12
	22	58
	38	7
124160-01910	40	51
	56	7
	58	53
	74	7
	76	52
124160-11340	37	5
	55	5
	6	6
	73	5
	6	6
124160-11360	22	26
	36	8
	4	49
124160-39140	22	61
	40	61
	58	63
	76	35
	45	18
124160-39450	63	25
	83	1
	9	24
	27	32
	45	32
124195-77770	63	24
	83	20
	51	34 X
	69	34 X

Parts No. Index

Parts No.	Fig. No.	Ref. No.
124195-77770	89	34 X
124223-39900	83	9
124240-01871	38	8
	56	8
	74	8
124240-01883	38	9
	54	3
	56	9
	72	3
	74	9
	92	3
124450-44510	10	33
	28	28
	46	41
	64	41
	84	40
124450-44530	10	35
	28	30
	46	43
	64	43
	84	42
124450-44550	10	39
	28	33
	46	46
	64	46
	84	45
124450-44560	10	36
	28	31
	46	44
	64	44
	84	43
124460-11340	40	29
	58	30
	72	5
	76	28
	92	5
124465-44950	10	27
	18	19
	28	24
	36	19
	46	35
		37
	54	18
	64	28
		30
	72	20
	84	27
	92	19
124550-51350	47	33
	65	33

Parts No.	Fig. No.	Ref. No.
124550-51350	85	37
124550-51370	47	34
	65	34
	85	38
124550-55700	14	10
	32	8
124550-59820	13	43
	31	43
	45	23
	63	30
	83	10
124550-66370	12	62
	30	62
	48	61
	66	61
	86	60
124700-44740	10	17
124701-11911	42	7
		17
	54	21
124736-07900	40	6
	58	6
	76	4
124756-67510	12	110
	30	110
	48	85
	66	85
	86	83
124764-44800	10	46
	28	44
	46	56
	64	56
	84	50
124764-44810	10	47
	28	45
	46	57
	64	57
	84	51
124766-59050	13	46
	14	38
		43
		52
	31	46
	32	18
		23
		37
	49	48
	50	35
		38
		41

Parts No.	Fig. No.	Ref. No.
124766-59050	67	42
	68	35
		38
		41
	87	42
	88	35
		38
		41
124950-11340	22	27
	36	7
124950-51190	47	18
	65	18
	85	20
126650-12680	41	20
	59	20
	77	20
129001-02800	37	15
	55	15
	73	16
129001-21000	44	1
129001-32001	45	1
129001-42002	46	2
	64	2
	84	2
129001-42040	46	17
	64	17
	84	28
129001-91840	38	21
	56	21
	74	23
129002-01331	37	22
	54	2
129002-22090	44	17
	62	17
	81	17
129002-22510	44	19
	62	19
	81	19
		35
129002-22900	44	33
	62	33
129002-22910	81	33
129002-22950	44	35
	62	35
129012-33000	45	33
	63	33
129012-49030	46	23
	64	35
129030-44760	28	17
129052-55620	50	1

Parts No.	Fig. No.	Ref. No.
129052-55620	68	1
	88	1
129052-61050	48	5
	66	5
	86	4
129052-61060	48	6
	66	6
	86	5
129052-61070	48	7
	66	7
	86	6
129052-61390	48	32
	66	32
	86	31
129052-77951	15	84
	33	84
	51	36
	69	36
	89	36
129052-77960	15	85
	33	85
	51	37
	69	37
	89	37
129100-01580	3	1
	8	2
	21	1
	26	2
	39	1
		15
	44	2
	57	1
		15
	62	2
	75	1
		15
	81	2
129100-01640	39	16
	57	16
	75	16
129100-01730	39	10
129100-01760	39	6
129100-11100	40	23
	58	24
	76	22
129100-11130	40	25
	58	25
	76	23
129100-11350	40	50
129100-23910	44	29

Parts No. Index

Parts No.	Fig. No.	Ref. No.
129100-23910	62	29
	81	29
129100-25061	43	10
	61	9
	79	9
129100-25900	43	16
	61	15
129100-35140	82	31
129100-35301	45	16
129100-42020	46	14
	54	13
	64	14
	72	17
	84	31
	92	17
129100-49840	46	16
	54	16
	64	16
	72	19
	84	24
	92	15
129100-52100	47	97
	65	97
	85	95
129100-53000	49	2
	67	2
129100-55650	50	11
	68	11
	88	11
129100-55670	50	6
	68	6
	88	6
129100-55680	50	7
	68	7
	88	7
129100-55690	50	9
	68	9
	88	9
129100-55700	50	12
	68	12
	88	12
129100-59811	49	21
129100-59821	49	25
129100-59831	49	29
129100-59951	49	38
	67	49
	87	49
129100-61400	48	18
	66	18
	86	17

Parts No.	Fig. No.	Ref. No.
129100-61440	48	79
	66	79
129100-61930	12	59
	30	68
129103-33031	82	16
129103-33132	82	17
129103-35122	82	35
	92	16
129103-49301	46	1
	64	1
	84	1
129111-13500	42	8
129111-13600	42	9
129111-13650	42	10
129111-13670	42	11
129111-13680	42	12
129111-44590	46	64
129111-67010	3	19
	21	20
	39	21
	57	21
	75	21
129114-44740	28	16
129115-91250	17	10
	35	10
	53	10
	71	10
	91	10
129115-91270	17	12
	35	12
	53	12
	71	12
	91	12
129120-33040	45	35
	63	35
129120-33051	45	36
	63	36
129120-33060	45	37
	63	37
129120-35001	45	38
	63	38
129120-35110	45	42
	63	42
129120-35121	45	43
	54	12
	63	43
	72	16
129120-35301	27	42
129120-44500	46	38
129120-44560	28	27

Parts No.	Fig. No.	Ref. No.
129120-44560	46	40
129120-77501	41	8
	59	8
	77	8
129122-12100	41	1
129122-44480	9	31
	27	36
	46	22
	64	34
	84	34
129129-14580	43	3
129129-77010	51	1
129129-77210	51	6
129129-77220	51	7
129129-77230	51	8
	69	8
	89	8
129129-77240	51	9
	69	9
	89	9
129129-77250	51	10
129129-77260	51	21
	69	21
	89	21
129129-77270	51	22
	69	22
	89	22
129129-77280	51	23
129129-77290	51	24
	69	24
	89	24
129129-77300	51	25
129129-77310	51	27
129129-77320	51	28
	69	28
	89	28
129129-77330	51	29
129129-77340	51	30
	69	30
	89	30
129129-77350	51	31
	69	31
	89	31
129129-77361	69	32
	89	32
129129-77362	51	32
129129-77380	51	34
	69	34
	89	34
129129-77390	51	14

Parts No.	Fig. No.	Ref. No.
129129-77400	51	17
	69	17
	89	17
129129-77410	51	18
	69	18
	89	18
129129-77420	51	19
	69	19
	89	19
129129-77430	51	20
	69	20
	89	20
129129-77460	51	3
129132-44530	64	66
	84	60
129136-12600	5	5
	23	20
129137-49100	10	49
	28	47
	46	59
	64	39
	84	38
129150-01200	37	21
	55	29
	73	23
129150-02020	37	7
	55	12
	73	8
129150-02450	43	4
	61	4
	79	4
129150-02870	37	23
	55	31
	73	25
129150-02930	37	18
	55	24
	73	19
129150-02940	37	26
	55	34
	73	28
129150-03020	40	52
	58	54
	76	53
129150-03070	40	53
	58	55
	76	54
129150-03080	40	54
	58	56
	76	55
129150-03100	38	11

Parts No. Index

Parts No.	Fig. No.	Ref. No.
129150-03100	56	11
	74	11
129150-11230	40	41
	58	45
	76	44
129150-11280	40	36
	58	40
	76	39
129150-11290	40	37
129150-11310	40	57
	54	7
129150-11370	40	30
	58	31
	76	29
129150-11750	40	43
	58	47
	76	46
129150-11810	40	14
	58	17
	76	15
129150-12111	41	2
	54	9
129150-13110	42	2
	54	10
129150-14101	43	7
	61	7
	79	7
129150-14200	43	1
	61	1
	79	1
129150-14400	43	2
	61	2
	79	2
129150-21200	44	5
	62	5
	81	5
129150-23600	44	31
	62	31
	81	31
129150-23610	44	39
	62	39
	81	39
129150-25101	43	11
	61	10
	79	10
129150-25900	79	15
129150-25920	43	14
	61	13
	79	13
129150-32020	45	26

Parts No.	Fig. No.	Ref. No.
129150-32020	54	11
	63	17
	72	13
	82	14
	92	13
129150-35041	45	15
	54	20
	63	15
	72	14
	82	23
	92	14
129150-35151	45	29
	63	21
	82	36
129150-35350	9	45
	27	26
	45	30
	63	22
129150-39450	45	19
129150-49080	10	51
	28	39
	46	52
	64	52
129150-49100	10	50
	28	38
	46	51
	64	51
129150-49811	46	31
	54	15
	64	25
	72	28
	84	23
	92	30
129150-59120	13	18
	31	18
	49	50
	67	20
	87	20
129150-59131	13	21
	31	21
	49	53
	67	23
	87	23
129150-59580	14	16
	32	33
	49	37
	67	48
	87	48
129150-77511	41	9
	54	17

Parts No.	Fig. No.	Ref. No.
129150-77511	59	9
	72	9
	77	9
	92	9
129155-11241	40	33
129155-11260	40	34
	58	38
	76	37
129155-11270	40	35
	58	39
	76	38
129155-42350	84	16
129155-49800	46	30
	64	24
	84	22
129155-51020	47	6
	65	6
	85	7
129155-51050	47	9
	65	9
	85	11
129155-51060	47	10
	65	10
	85	12
129155-51140	47	15
	65	15
	85	17
129155-51180	47	17
	65	17
	85	19
129155-51200	47	19
	65	19
	85	21
129155-51270	47	26
	65	26
	85	28
129155-51280	12	15
	30	15
	47	27
	48	2
	65	27
	66	2
	85	29
	86	2
129155-51320	47	31
	65	31
	85	35
129155-51340	47	32
	65	32
	85	36

Parts No.	Fig. No.	Ref. No.
129155-51370	47	35
	65	35
	85	39
129155-51380	47	36
	65	36
	85	40
129155-51390	47	37
	65	37
	85	41
129155-51400	47	38
129155-51410	47	39
	65	39
	85	43
129155-51420	47	40
	65	40
	85	44
129155-51450	47	41
	65	41
	85	45
129155-51500	47	46
129155-51521	47	47
	65	47
	85	51
129155-51530	47	48
	65	48
	85	52
129155-51540	47	49
	65	49
	85	53
129155-51550	47	50
	65	50
	85	54
129155-51570	47	53
	65	53
	85	57
129155-51580	47	54
	65	54
	85	58
129155-51591	47	55
	65	55
	85	59
129155-51600	47	56
	65	56
	85	60
129155-51700	47	75
129155-51710	47	76
129155-51750	47	77
129155-51760	47	78
129155-51790	47	79
	65	79

Parts No. Index

Parts No.	Fig. No.	Ref. No.
129155-51790	85	83
129155-51930	47	81
	65	81
	85	85
129155-51940	47	82
	65	82
	85	86
129155-52050	47	96
	65	96
	85	94
129155-61120	48	8
	66	8
	86	7
129155-61130	48	9
	66	9
	86	8
129155-61140	48	10
	66	10
	86	9
129155-61201	48	11
	66	11
	86	10
129155-61341	48	15
	66	15
	86	14
129155-61350	48	16
	66	16
	86	15
129155-61360	48	17
	66	17
	86	16
129155-61430	48	21
	66	21
	86	20
129155-61450	48	25
	66	25
	86	24
129155-61460	48	26
	66	26
	86	25
129155-61470	48	84
	66	84
	86	82
129155-61480	12	22
	30	22
	48	27
	66	27
	86	26
129155-61830	13	2
	18	20

Parts No.	Fig. No.	Ref. No.
129155-61830	31	2
	36	24
	48	58
	66	58
	86	57
129155-61950	48	60
	66	60
	86	59
129156-51910	47	80
	65	80
	85	84
129202-22300	44	23
	62	23
	81	23
129210-59040	50	34
	68	34
	88	34
129210-59130	49	47
	50	37
129210-59150	67	41
	68	37
	87	41
	88	37
129210-59200	50	40
	68	40
	88	40
129211-49020	46	49
129322-18100	80	50
129335-55700	14	18
	32	39
	50	18
	68	18
	88	18
129350-49530	10	20
	28	19
129350-49541	10	21
	18	18
	28	20
	36	18
129350-49560	46	28
	64	22
	84	20
129350-49800	10	22
	28	21
129400-01520	38	5
	56	5
	74	5
129400-01730	57	10
	75	6
129400-01770	57	6

Parts No.	Fig. No.	Ref. No.
129400-01770	75	8
129400-11350	58	52
	76	51
129400-13201	60	7
		17
	72	15
129400-59810	67	25
	87	25
129400-59820	67	29
	87	29
129400-59830	67	33
	87	33
129400-59840	67	37
	87	37
129400-92400	18	28
129400-92410	36	30
129400-92420	54	22
	72	36
	92	38
129403-13120	78	3
129403-18081	80	52
	92	29
129403-34800	82	21
129403-39460	83	3
129403-42380	46	21
	64	21
129403-44740	64	31
	84	17
129403-49031	84	35
129403-49050	9	33
	27	38
	46	24
	64	36
	84	36
129404-18020	80	1
129404-18720	80	2
129404-18750	80	3
129404-18770	80	4
129404-18780	80	13
129404-18790	80	18
129404-18800	80	22
129404-18811	80	25
129404-18820	80	30
129404-18830	80	34
129407-21000	62	1
129407-32000	63	1
129407-35300	45	44
	63	44
129407-77010	69	1
	89	1

Parts No.	Fig. No.	Ref. No.
129407-77210	69	6
	89	6
129407-77220	69	7
	89	7
129407-77250	69	10
	89	10
129407-77280	69	23
	89	23
129407-77300	69	25
	89	25
129407-77310	69	27
	89	27
129407-77330	69	29
	89	29
129407-77390	69	14
	89	14
129407-77410	69	13
	89	13
129408-01330	55	30
	72	2
	73	24
	92	2
129408-44500	64	63
	84	57
129410-77330	52	23
	70	23
129411-13100	60	1
129411-13500	60	8
129411-13600	60	9
129411-13650	60	10
129411-13670	60	11
129411-13680	60	12
129411-44590	28	43
	64	38
129412-51200	47	12
	65	12
	85	14
129412-61500	48	33
	66	33
	86	32
129418-21000	81	1
129418-32000	82	1
129418-35100	82	29
129420-44550	64	67
	84	61
129420-44560	64	40
	84	39
129436-35091	63	16
	82	24
129450-49010	28	35

Parts No. Index

Parts No.	Fig. No.	Ref. No.
129470-11080	40	21
	76	11
129470-11090	40	22
	76	12
129470-51040	65	7
	85	9
129486-01670	39	19
	57	19
	75	19
129488-12070	77	4
129488-12080	77	29
129488-12100	59	1
	77	1
129500-61650	48	80
	66	80
	86	78
129500-61700	48	81
	66	81
	86	79
129503-39600	83	15
129503-53050	87	2
129506-39610	83	16
129550-11290	58	41
	76	40
129550-11310	58	59
	72	8
	76	58
	92	8
129550-12111	59	2
	72	10
	77	2
	92	10
129550-13110	60	2
	72	11
	78	1
	92	11
129550-39450	63	26
129553-39650	82	44
129555-11241	58	37
	76	36
129555-51400	65	38
	85	42
129555-51500	65	46
	85	50
129555-51700	65	75
	85	79
129555-51710	65	76
	85	80
129555-51750	65	77
	85	81

Parts No.	Fig. No.	Ref. No.
129555-51760	65	78
	85	82
129608-77010	69	1 -1
	89	1 -1
129608-77110	69	34 C
	89	34 C
129612-01600	39	2
	57	2
	75	2
129619-77330	90	23
129688-01780	57	6 -1
	75	8 -1
129693-44310	78	6 -1
129698-77010	51	1 -1
129698-77020	51	34 A
	69	34 A
	89	34 A
129698-77100	51	34 B
129698-77101	69	34 B
	89	34 B
129698-77110	51	34 C
129698-77120	51	34 D
	69	34 D
	89	34 D
129698-77130	51	34 F
	69	34 F
	89	34 F
129698-77140	51	34 E
	69	34 E
	89	34 E
129698-77150	51	34 G
	69	34 G
	89	34 G
129698-77160	51	34 H
129698-77161	51	34 H-1
	69	34 H
	89	34 H
129698-77170	51	34 J
	69	34 J
	89	34 J
129698-77180	51	34 R
	69	34 R
	89	34 R
129698-77190	51	34 S
	69	34 S
	89	34 S
129698-77200	51	34 T
	69	34 T
	89	34 T
129698-77210	51	34 U

Parts No.	Fig. No.	Ref. No.
129698-77210	69	34 U
	89	34 U
129698-77220	51	34 V
	69	34 V
	89	34 V
129698-77230	51	34 W
	69	34 W
	89	34 W
129698-77240	51	34 P
	69	34 P
	89	34 P
129698-77250	51	34 Q
	69	34 Q
	89	34 Q
129698-77260	51	34 K
	69	34 K
	89	34 K
129698-77270	51	34 M
	69	34 M
	89	34 M
129698-77280	51	34 N
	69	34 N
	89	34 N
129792-39410	82	38
129795-01780	39	18
	57	18
	75	18
129795-01800	38	4
	56	4
	74	4
129795-01900	52	21
	70	21
	90	21
129795-01950	38	10
	56	10
	74	10
129795-02411	37	10
	55	27
	73	15
129795-11120	40	24
	58	26
	76	24
129795-11180	40	26
	58	27
	76	25
129795-21661	44	10
	62	10
	81	10
129795-49551	46	29
	54	14

Parts No.	Fig. No.	Ref. No.
129795-49551	64	23
	72	18
	84	21
	92	18
129795-77800	4	61
	22	63
129900-07900	40	6 -1
	58	6 -1
158552-61900	48	69 -1
	66	69 -1
	86	68 -1
170022-67100	17	2
	35	2
	53	2
170029-67100	71	2
	91	2
170038-91310	17	13
	35	13
	53	13
	71	13
	91	13
171008-03990	9	34
	27	39
171051-01921	37	6
	55	7
	73	7
171061-12520	41	13
	59	13
	77	13
171064-12600	41	7
	59	7
	77	7
171081-55910	14	30
	32	51
	50	30
	68	30
	88	30
171301-01640	21	12
	39	8
	57	8
	75	9
171301-21650	62	9
	81	9
171301-49010	46	48
171301-77201	16	1
	34	1
	52	1
	70	1
	90	1
171301-77720	17	4

Parts No. Index

Parts No.	Fig. No.	Ref. No.
171301-77720	35	4
	53	4
	71	4
	91	4
171340-21580	44	13
171340-21650	44	9
171340-44740	46	26
171350-03090	40	1
	58	1
	76	1
171350-13100	42	1
171351-12210	41	4
	59	4
171351-12560	41	25
	59	25
	77	25
171351-12570	41	26
	59	26
	77	26
171351-12580	41	24
	59	24
	77	24
171353-44760	46	36
	64	32
	84	18
171420-21580	62	13
	81	13
171420-34820	45	28
	63	19
171420-49010	64	48
	84	47
171420-49020	64	49
	84	48
171488-61440	48	78
	66	78
	86	77
174307-51170	47	16
	65	16
	85	18
174307-51560	47	52
	65	52
	85	56
174307-51700	12	29
	30	29
	48	34
	66	34
	86	33
194990-22050	2	33
	12	1
	20	30

Parts No.	Fig. No.	Ref. No.
194990-22050	30	1
	80	51
22111-060000	12	111
	30	113
22117-040000	12	47
	30	47
	48	62
	66	62
	86	61
22137-040000	11	43
	29	43
22190-060003	12	102
	30	108
	48	63
	66	63
	86	62
22190-080002	14	47
	48	48
	18	22
	32	27
		28
	36	22
	38	12
		23
	56	12
		23
	63	31
	74	13
		14
	83	11
22190-100002	48	64
	66	64
	86	63
22190-120002	12	103
	30	109
	48	65
	50	17
	66	65
	68	17
	86	64
	88	17
22190-160002	47	91
	65	83
	85	87
22212-100000	16	18
	34	18
	52	18
	70	18
	90	18
22217-040000	11	44

Parts No.	Fig. No.	Ref. No.
22217-040000	29	44
22217-050000	47	92
	65	84
	85	88
22217-060000	47	83
	65	85
	85	89
22217-120000	43	17
	61	16
	79	16
22242-000100	4	44
22242-000120	22	46
22242-000200	7	15
	25	15
22252-000200	8	25
22252-000210	26	25
22252-000260	44	24
	62	24
	81	24
22272-000040	12	48
	30	48
22272-000070	12	112
	30	112
	48	86
	66	86
	86	84
22287-120000	48	66
	66	66
	86	65
22312-060080	82	32
22351-030010	82	45
22351-030014	12	49
	30	49
22351-040010	2	22
	12	56
	20	19
	30	56
	44	8
	62	8
	81	8
22351-050010	47	84
	65	86
	85	90
22351-060012	4	63
	22	29
	40	31
	58	32
	76	30
22360-040000	12	104
	30	101

Parts No.	Fig. No.	Ref. No.
22360-060000	12	105
	30	106
22372-040000	48	67
	66	67
	86	66
22512-040120	7	8
		22
	8	6
	25	8
		22
	26	6
22512-070140	43	8
	44	6
	61	8
	62	6
	79	8
	81	6
22857-500100	4	59
	22	60
23000-022000	46	25
	64	37
	84	37
23000-025000	83	17
23000-060000	5	6
	23	21
	41	5
	59	5
	77	5
23000-070000	77	6
23010-038000	10	32
	28	37
	46	50
	64	50
	84	49
23061-070230	10	37
	28	32
	46	45
	64	45
	84	44
23065-120500	4	1
	22	1
23080-012000	80	49
23414-080000	45	24
23414-080012	13	44
	18	21
	31	44
23414-100000	45	25
		40
	63	32
		40

Parts No. Index

Parts No.	Fig. No.	Ref. No.
23414-100000	72	22
	83	12
	92	21
23414-120000	49	46
	67	57
	72	21
	87	57
	92	20
23414-140000	13	45
	18	23
	31	45
23418-060000	36	21
	14	31
	32	52
	50	31
	68	31
23871-010000	88	31
	19	11
	37	11
	55	8
23871-020000	73	11
	22	18
	40	16
23871-030000	58	19
	76	17
	82	33
	4	16
	40	17
23881-100002	46	12
	55	28
	58	20
	64	12
	73	22
	76	18
	84	13
	45	41
	63	41
	23887-100002	48
24101-062034	66	68
	86	67
	7	24
24101-063034	25	24
	47	85
	65	87
24102-063034	85	91
	7	23
	25	23
24311-000120	2	6
	4	60
	18	3

Parts No.	Fig. No.	Ref. No.
24311-000120	20	6
	22	62
	36	23
	40	62
	54	6
	58	64
	72	23
	76	62
	92	22
	24311-000160	10
27		27
28		51
36		26
38		14
45		31
46		63
50		13
54		8
56		14
24311-000180	63	23
	64	62
	68	13
	72	24
	74	15
	84	56
	88	13
	92	23
	3	16
	18	7
24311-000200	82	18
	10	11
24311-000210	82	19
	10	11
24311-000320	82	19
	2	13
	4	58
	18	4
	20	13
24311-240100	22	59
	36	5
	38	15
	40	58
	54	5
	56	15
	58	60
	72	26
	74	16
	76	59
92	25	
24311-240100	26	26
	14	14

Parts No.	Fig. No.	Ref. No.	
24311-240100	14	32	
	32	10	
		53	
	50	5	
		32	
	68	5	
		32	
	88	5	
		32	
	24314-000160	83	18
24321-000300	92	24	
	46	18	
	64	18	
	84	29	
	24321-000550	82	20
	24321-000600	9	35
		18	26
		27	40
		36	28
		50	10
24321-000650	68	10	
	88	10	
	9	36	
24321-000700	18	27	
	27	41	
	36	29	
	12	57	
	30	57	
24341-000070	47	86	
	65	88	
	85	33	
	24341-000240	2	15
	18	5	
	20	33	
	36	25	
	38	26	
	56	26	
	72	25	
24341-000250	74	26	
	92	28	
	21	15	
	39	9	
	54	19	
	57	9	
	75	11	
	24341-000280	12	65
	30	65	
	48	69	
66	69		
86	68		

Parts No.	Fig. No.	Ref. No.	
24341-000500	40	59	
	58	61	
	72	27	
	76	60	
	92	27	
25132-003800	46	20	
	64	20	
26014-060122	64	69	
	84	63	
	10	19	
26014-060352	23	22	
	26014-080202	23	22
	26014-080252	34	22
26014-080302	6	19	
	24	16	
	42	14	
	60	14	
	14	17	
26014-080702	35	35	
	32	36	
	50	14	
		33	
	68	14	
26022-040082	88	14	
		33	
	11	45	
	29	45	
	16	8	
26022-040252	34	8	
	52	8	
	70	8	
	90	8	
	47	87	
26022-050102	65	89	
	85	34	
	47	88	
	65	90	
	85	8	
26022-060162	74	26	
	92	28	
	3	17	
	12	58	
	27	31	
26106-060102	30	58	
	48	70	
		71	
		72	
	66	70	
		71	
		72	
	86	69	
		69	
		70	

Parts No. Index

Parts No.	Fig. No.	Ref. No.
26106-060102	86	71
26106-060122	1	25
	5	7
	7	16
	9	27
	19	22
	21	16
	22	8
	25	16
26106-060142	48	73
	66	73
	86	72
26106-060162	2	7
		16
	7	25
	14	51
	20	7
		34
	25	25
	32	31
	38	27
	56	27
	74	27
	83	19
26106-060202	5	12
	23	3
	48	74
	66	74
	86	73
26106-060222	3	10
	21	8
26106-060302	2	8
	20	8
26106-060352	6	3
	46	27
	64	33
	84	19
26106-060402	2	9
26106-060452	3	18
	21	17
26106-060502	2	10
	28	18
26106-060602	20	9
		10
26106-060652	2	11
26106-060702	12	106
	30	102
26106-060752	12	113
	30	59
26106-060802	20	11

Parts No.	Fig. No.	Ref. No.
26106-060952	12	67
	30	67
26106-080102	60	18
	83	13
26106-080122	6	20
	24	17
	38	16
	42	15
	56	16
	74	17
26106-080142	4	8
	22	66
	40	63
	41	27
	42	16
	43	9
	58	7
	59	27
	60	15
		16
	76	5
	77	27
26106-080162	3	20
	5	8
	6	21
	14	34
	21	21
	24	18
	34	23
	38	17
		24
	39	12
		22
	40	60
	46	19
	56	17
		24
	57	12
		22
	58	62
	61	18
	64	19
	74	18
		19
	75	12
		22
	76	61
	79	18
	84	30
26106-080202	10	23

Parts No.	Fig. No.	Ref. No.
26106-080202	27	28
	28	22
	38	18
	46	32
	56	18
	64	26
	74	20
	84	25
26106-080252	39	13
	40	48
	41	3
	45	45
	57	13
	58	50
	63	45
	75	13
	76	49
26106-080352	39	20
	41	10
	45	17
	57	20
	59	3
		10
	63	20
	75	20
	77	3
		10
	82	28
26106-080402	24	6
26106-080452	4	47
	10	14
	22	49
	28	13
	38	19
	39	14
		14 -1
	43	15
	56	19
	57	14
		14 -1
	61	14
	74	21
	75	14
		14 -1
	79	14
26106-080502	39	24
	40	49
	52	25
	57	24
	58	51

Parts No.	Fig. No.	Ref. No.
26106-080502	70	25
	75	24
	76	50
	90	25
26106-080552	38	20
	56	20
	74	22
26106-080602	46	15
	64	15
	84	14
26106-080652	78	4
26106-080702	82	46
26106-080752	82	37
26106-080802	42	4
	60	4
26106-080852	78	5
26106-081002	78	6
26106-081202	32	15
26106-100402	16	20
	34	20
26116-050102	12	107
	30	103
26116-050302	47	89
	65	91
	85	5
26116-060304	12	108
	30	104
26116-120252	15	83
	33	83
	51	35
	69	35
	89	35
26206-100252	3	5
	21	19
	39	4
	57	4
	75	4
26206-100302	39	5
	57	5
	75	5
26216-060202	40	18
	58	21
	76	19
26216-080502	6	4
26216-080552	24	8
26216-080802	42	6
	60	6
26226-080182	40	44
	58	48
	76	47

Parts No. Index

Parts No.	Fig. No.	Ref. No.	
26366-060002	2	34	
	5	9	
	6	5	
		10	
	20	31	
	40	32	
	41	28	
	58	33	
	59	28	
	60	3	
	76	31	
	77	28	
	26366-080002	4	48
		6	13
			16
			22
		22	50
23		23	
24		5	
		19	
38		22	
42		3	
		13	
48	77		
56	22		
60	13		
66	77		
74	24		
86	76		
26366-100002	52	22	
	70	22	
	90	22	
26450-060202	9	12	
	27	12	
26450-060252	45	27	
	63	18	
	82	15	
26587-040102	11	46	
	29	46	
26587-080102	7	26	
	25	26	
26687-120002	48	83	
	66	83	
	86	81	
26716-060002	47	90	
	65	92	
	85	6	
26716-100002	16	19	
	34	19	
	52	19	

Parts No.	Fig. No.	Ref. No.	
26716-100002	70	19	
	90	19	
		18	
26716-120002	43	18	
	61	17	
	79	17	
		17	
26756-060002	4	39	
		43	
		12	
	12	109	
	30	107	
	48	75	
	66	75	
	86	74	
	26756-080002	58	49
		76	48
		48	
26776-120002	12	99	
	30	105	
	48	76	
	66	76	
	86	75	
		41	
		45	
26856-060002	22	41	
		45	
26979-050162	22	47	
27221-050080	4	17	
	22	19	
27221-060100	1	11	
27231-400000	1	12	
27231-450000	19	12	
27231-500000	37	12	
	55	9	
	73	12	
27241-100000	1	13	
27241-120000	19	13	
	37	13	
	55	10	
	73	13	
27241-200000	82	34	
27241-220000	40	19	
	58	22	
	76	20	
27241-250000	1	14	
27241-300000	1	15	
	19	14	
	37	14	
	55	11	
	73	14	
27241-350000	4	18	
27241-400000	22	20	
	40	20	
	58	23	
	76	21	

Parts No.	Fig. No.	Ref. No.
27310-070001	22	25
27310-080001	40	27
	58	28
	76	26
		26
28110-100120	18	31
	36	35
	54	27
	72	32
	92	34
28110-140170	18	32
	36	36
	54	28
	72	33
	92	35
		35
28110-190220	18	33
	36	37
	54	29
	72	34
	92	36
		36
28210-000140	18	34
	36	38
	54	30
	72	35
	92	37
714250-11570	4	23
719225-51100	11	1
719255-53100	31	1
719260-02800	1	16
719260-02870	1	26
719260-02930	1	19
719260-11650	4	36
719260-11660	4	40
719260-23600	8	32
719260-23610	8	40
719265-01560	1	1
719265-22900	8	34
719265-22950	8	36
719265-92630	18	1
719620-02800	19	15
719620-02870	19	26
719620-02930	19	18
719620-11650	22	38
719620-11660	22	42
719620-23100	26	26
719620-23600	26	32
719620-23610	26	42
719620-53100	31	1 -1
719620-53700	13	1
719621-51100	29	1
719623-01560	19	1

Parts No.	Fig. No.	Ref. No.
719623-11710	22	9
719623-92640	36	1
719660-14590	25	18
719810-01500	38	1
	56	1
	74	1
		1
721400-92102	18	29
	36	32
	54	24
	72	29
	92	31
		31
729002-01560	37	1
729002-51400	47	1
729002-92700	54	1
729100-53100	49	1
	67	1
729202-11710	40	7
729212-51400	47	2
729402-11650	40	40
	58	44
	76	43
		43
729402-14580	61	3
	79	3
729402-23100	44	25
	62	25
	81	25
729408-01560	55	1
729408-11700	58	8
	76	6
729408-51400	65	1
729408-92600	72	1
729418-92620	92	1
729503-53200	87	1
729608-51400	65	2
729613-51410	85	1
729638-01560	73	1
977770-01212	2	35
	3	21
		21
	18	36
	20	35
	21	22
	36	31
	38	28
	39	23
	54	23
	56	28
	57	23
	72	37
	74	28
	75	23

Parts No. Index

Parts No.	Fig. No.	Ref. No.
977770-01212	92	39
X0280210230	15	8
	33	8
	51	11
	69	11
	89	11
X0280210331	15	70
	33	70
X0280335360	15	81
	33	81
X0280626010	15	59
	33	59
X0280630011	15	2
	33	2
X0280996180	15	50
	33	50
X0281003751	15	3
	33	3
X0281007680	15	49
	33	49
X0282001531	15	4
	33	4
X0282005871	15	53
	33	53
X0283005050	15	7
	33	7
X0283006960	15	54
	33	54
X0283060061	15	16
	33	16
	51	2
	69	2
	89	2
X0283270140	15	9
	33	9
	51	12
	69	12
	89	12
X0283711420	15	17
	33	17
X0283715030	15	10
	33	10
X0283810040	15	11
	33	11
X0284004910	15	18
	33	18
X0284105010	15	60
	33	60
X0284525010	15	74
	33	74

Parts No.	Fig. No.	Ref. No.
X0285005770	15	57
	33	57
X0285040631	15	19
	33	19
X0285100460	15	20
	33	20
X0285105190	15	51
	33	51
X0285205030	15	52
	33	52
X0286105010	15	62
	33	62
X0286305010	15	64
	33	64
X0286355010	15	65
	33	65
X0287405140	15	66
	33	66
X0289030010	69	3
	89	3
X0534006460	15	22
	33	22
X0534007800	15	67
	33	67
X0534040320	15	23
	33	23
X0534490120	15	24
		25
	33	24
		25
X0534490230	15	26
		27
	33	26
		27
X0535050620	15	28
	33	28
X0535130241	15	29
	33	29
X0535130320	15	30
	33	30
X0536600401	15	31
	33	31
X1289510130	15	82
	33	82
X2114535200	51	34 L
	69	34 L
	89	34 L
X2284005750	15	55
	33	55
X9019008651	15	41

Parts No.	Fig. No.	Ref. No.
X9019008651	33	41
X9025808001	15	42
	33	42
X9055715000	15	68
	33	68
X9151005141	15	32
	33	32
X9490065670	15	80
	33	80
X9490071810	15	43
	33	43
X9490071970	15	44
	33	44
X9490138090	15	72
	33	72
X9490138100	15	73
	33	73
X9490138110	15	71
	33	71
X9490170900	15	33
		34
	33	33
		34
X9490423330	15	45
	33	45
X9490423520	15	77
	33	77
X9490441303	15	35
	33	35
X9490441312	15	36
	33	36
X9490502820	15	37
		38
	33	37
		38
X9490560750	15	76
	33	76
X9490561370	15	46
	33	46
	51	4
	69	4
	89	4
X9490562360	15	75
	33	75
X9490721080	15	12
	33	12
X9490721360	15	69
	33	69
X9491001360	15	5
	33	5

Parts No.	Fig. No.	Ref. No.
X9491001860	15	6
	33	6
X9491034320	15	63
	33	63
X9491034330	15	61
	33	61
X9491040990	15	58
	33	58
X9491050100	15	56
	33	56
X9491200240	15	47
	33	47
	51	5
	69	5
	89	5
X9491402100	15	39
		40
	33	39
		40
X9491703371	15	13
	33	13
	51	13
X9491703380	15	48
	33	48
X9491704260	15	14
	33	14
X9491730461	15	21
	33	21
	51	26
	69	26
	89	26
XM08137	16	2
	34	2
	52	2
	70	2
	90	2
XM08138	16	3
XM08180	16	4
	34	4
	52	4
	70	4
	90	4
XM17878	16	6
	34	6
	52	6
	70	6
	90	6
XM27436	16	5
		15
	52	5

Parts No. Index

Parts No.	Fig. No.	Ref. No.
XM27436	70	5
	90	5
XM36410	16	7
	34	7
	52	7
	70	7
	90	7
	90	7
XM37336	16	14
XM61014	52	20
	70	20
	90	20
XM72174	16	12
XM72664	16	13
XM82110	16	11
XM82184	16	10
	34	10
	52	10
	70	10
	90	10
	90	10
XYSPS4008	16	9
	34	9
	52	9
	70	9
	90	9

Parts No.	Fig. No.	Ref. No.
-----------	----------	----------

Parts No.	Fig. No.	Ref. No.
-----------	----------	----------

Parts No.	Fig. No.	Ref. No.
-----------	----------	----------