

0CB10-M59703EN

## Directions for the Parts Catalog.

1. This Parts Catalog shows both standard and optional parts.
2. Parts may change without prior notice.
3. The following is an example of the Parts Catalog format.

REF.	LEV.	PARTS NO.	DESCRIPTION	Q'TY						I	R
				(A)	(B)	(C)	(D)	(E)	(F)		
1	1	729595-51390	FUEL INJECTION PUMP	1	1	1	1	1			1
1-1	1	729595-51391	FUEL INJECTION PUMP	1	1	1	1	1		N	1
		(A=E00185) (B=E00200)									
3	2	26022-060162	SCREW M 6X 16	9	9	9	9	9			
3-1	2	26022-060162	SCREW M 6X 16	4	4	4	4	4		K	
		(A=E00156) (B=E00156) (C=E00156) (D=E00156) (E=E00156)									
4	2	129470-51040	CAMSHAFT	1	1	1	1	1			
5	2	122710-51050	BEARING, ROLLER	2	2	2	2	2			
6	2	129470-51060	RETAINER	1	1	1	1	1			

Remarks
(1) BOOST COMPEMSATOR TYPE. OPTIONAL PART, TO E00155,(4JH-DT, 4JH-DTZ

### ① Ref. No.

The Ref. No. listed may not be in accordance with the illustration Ref. No.

(Ex.) Illustration No.

List Ref No.

1

1

(Before change)

1-1

(After change)

For interchangeable symbols N, R and K, illustrations for new parts may be abbreviated.

### ② Lev. (Level)

Level indication

The numbers below indicate the level of relativity towards the main part.

1 ----- Main parts (Assembly parts)

2 ----- Sub component included in " 1 ".

3 ----- Sub component included in " 2 ".

Note) Parts that are not for sale are partially illustrated but not listed.

### ③ Interchangeability Symbol

When a part change takes place, one of the following interchangeability symbols is indicated beside the part.

Symbol	Interchangeability	Contents note
N	Old $\begin{matrix} \leftarrow \text{Yes} \\ \text{No} \rightarrow \end{matrix}$ New	New Part is interchangeable for Old Part but Old Part is not interchangeable for New Part.
Q	Old $\begin{matrix} \leftarrow \text{No} \\ \text{Yes} \rightarrow \end{matrix}$ New	New Part is not interchangeable for Old Part but Old Part is interchangeable for New Part.
R	Old $\begin{matrix} \leftarrow \text{Yes} \\ \text{Yes} \rightarrow \end{matrix}$ New	New/ Old Parts are both interchangeable.
S	Old $\begin{matrix} \leftarrow \text{No} \\ \text{No} \rightarrow \end{matrix}$ New	New/ Old Parts are both not interchangeable.
W		Part newly added.
Z		Part discontinued.
F		Not interchangeable by a single part but interchangeable together with related parts.
K		Changes only for used parts quantities.

### ④ Effective Machine No.

When a part changes, the effective Machine No. will be indicated in the (A)-(F) column.

Product Symbol	Product No.	Product Symbol	Product No.
C	Clutch No. Compressor No.	F	Machine No. (Agricultural Equip.)
D	Drive No.	M	Machine No.
E	Engine No.		

Note 1) A date may follow the symbol. (Ex.) 1996.01

Note 2) "XXXXX" and "ZZZZZ" are for parts that could not be predicted or for engine models that could not be identified.

Note 3) (A=E00185) is the E (Engine Serial Number) for the column (A) model (in this case 4JH-DT) after the parts design change.

### ⑤ Remarks

Figures or alphabets (symbols) are entered in the remarks column.

The comments (remarks) on parts that are indicated at the bottom of the illustration are the same symbols as those stated above.

# Contents

Fig. No. Fig. Name

4TNE88-(E)B1

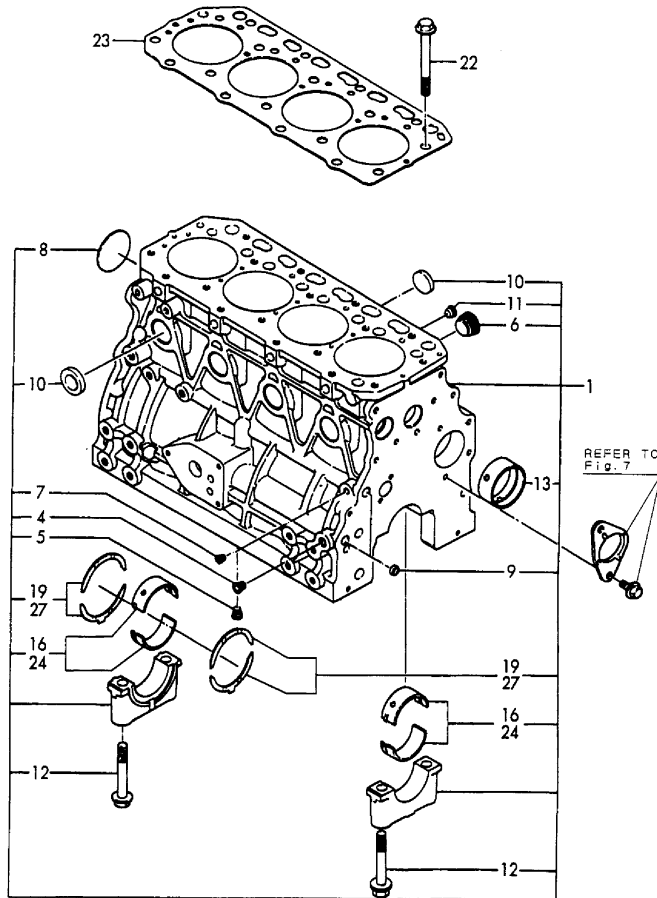
1. CYLINDER BLOCK
2. GEAR HOUSING
3. FLYWHEEL HOUSING & LUB.OIL SUMP
4. CYLINDER HEAD & BONNET
5. SUC. MANIFOLD & AIR CLEANER
6. EXH. MANIFOLD & SILENCER
7. CAMSHAFT & DRIVING GEAR
8. CRANKSHAFT & PISTON
9. LUB. OIL SYSTEM
10. COOLING WATER SYSTEM
11. FUEL INJECTION PUMP
12. FUEL INJECTION PIPE
13. FUEL PIPE
14. GOVERNOR
15. STARTING MOTOR
16. GENERATOR
17. GASKET SET(OPTIONAL) & TOOL

Fig. No. Fig. Name

# Fig.1. CYLINDER BLOCK

Y0085973

Fig. 1 シリンダブロック  
CYLINDER BLOCK



(A)=4TNE88-B1  
(B)=4TNE88-EB1  
(C)=

(D)=  
(E)=  
(F)=

No.	Lev.	Parts No.	Description	Q'ty						I	R
				(A)	(B)	(C)	(D)	(E)	(F)		
1	1	729407-01560	BLOCK ASSY, CYLINDER	1	1						
4	3	124160-01910	PLUG, PT1/4	2	2						
5	3	124160-01910	PLUG, PT1/4	1	1						
6	3	171051-01921	PLUG, NPTF1	1	1						
7	3	23871-010000	PLUG, R01	1							
7-1	3	23876-010000	PLUG, R01	1	1						N
(A=E/# 38932)											
8	3	27231-500000	PLUG 50	1	1						
9	3	27241-120000	PLUG, 12	2	2						
10	3	27241-300000	PLUG 30	8	8						
11	2	23871-010000	PLUG, R01	1							
11-1	2	23876-030000	PLUG, R03	1	1						N
(A=E/# 38932)											
12	2	129150-02020	BOLT, METAL CAP	10	10						
13	2	129795-02411	BUSH, CAMSHAFT	1	1						
16	2	129001-02800	BEARING, MAIN	5	5						
19	2	129150-02930	BEARING, THRUST	2	2						
22	1	129150-01200	BOLT, HEAD	18	18						
23	1	129407-01340	GASKET, HEAD	1	1						A
24	1	129150-02870	BEARING, 0.25 US	5							1
27	1	129150-02940	BEARING, THRUST 0.25	1	1						2

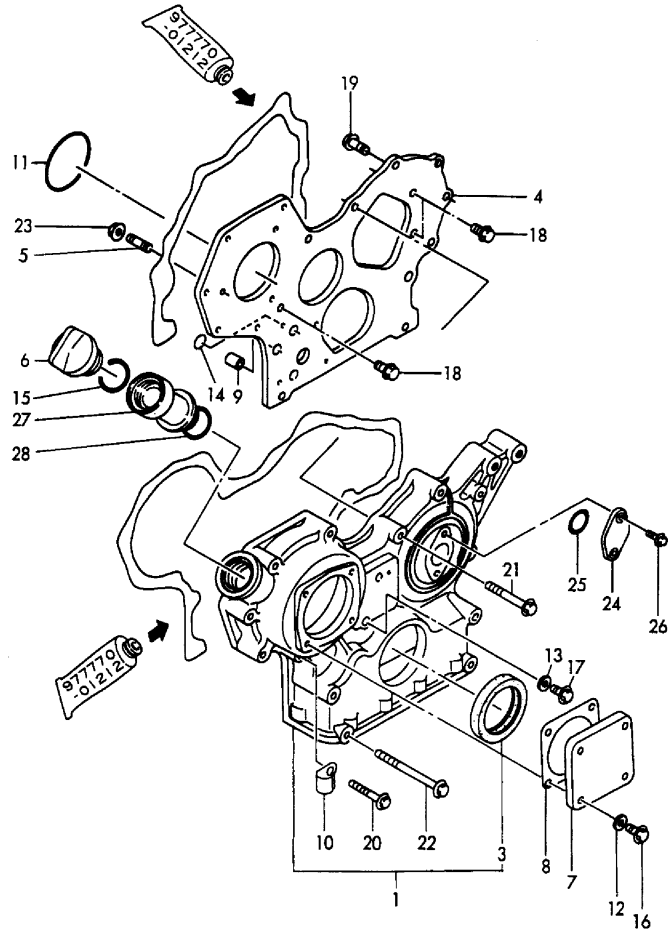
Remarks

- (1) UNDER SIZE (U.S.=0.25) PART.
- (2) OVER SIZE (O.S.=0.25) PART.
- (A) THESE PART ARE ALSO SOLD BY FIG 17. REF NO.1 (GASKET SET.P/# 729430-92620).

# Fig.2. GEAR HOUSING

Y0085973

Fig.2 ギヤケース  
GEAR HOUSING



(A)=4TNE88-B1  
(B)=4TNE88-EB1  
(C)=

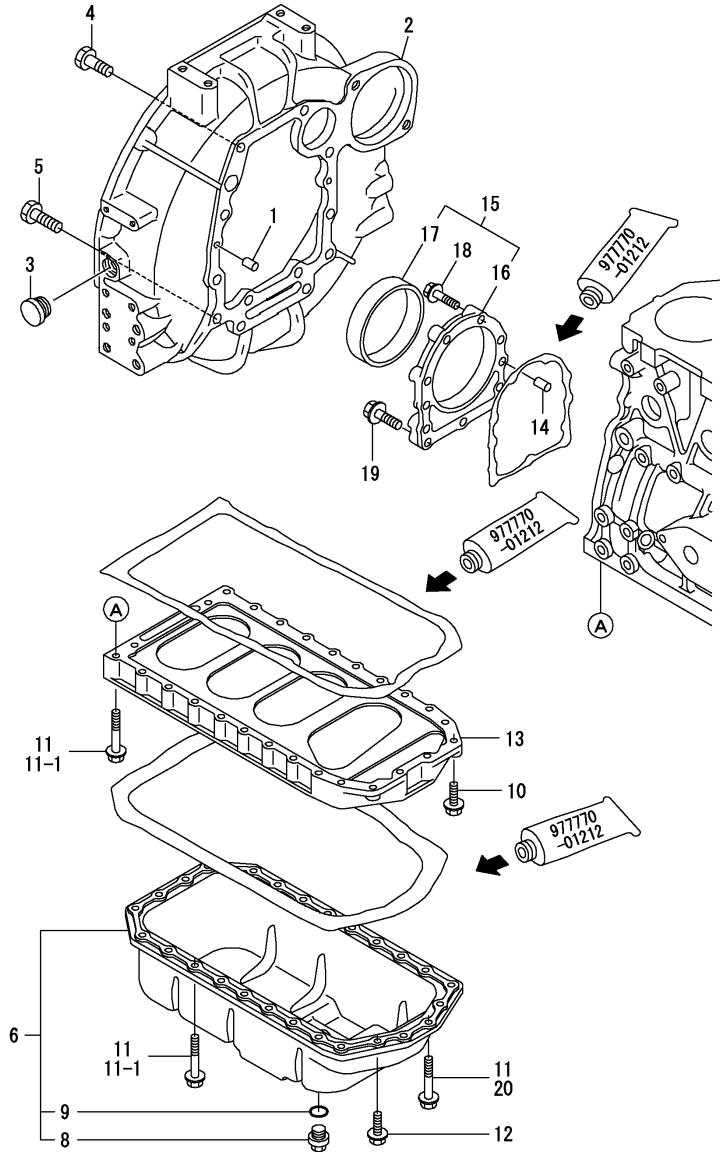
(D)=  
(E)=  
(F)=

No.	Lev.	Parts No.	Description	Q'ty						I	R
				(A)	(B)	(C)	(D)	(E)	(F)		
1	1	719810-01500	CASE ASSY, GEAR	1	1						
3	2	129795-01800	SEAL, OIL	1	1						
4	1	129400-01520	FLANGE, GEAR CASE	1	1						
5	1	121450-01560	STUD, M8X22	3	3						
6	1	124160-01751	COVER, FILLER	1	1						
7	1	124240-01871	COVER	1	1						
8	1	124240-01883	GASKET	1	1						A
9	1	129795-01950	PIPE, KNOCK L=18	2	2						
10	1	129150-03100	RETAINER, PIPE	1	1						
11	1	121850-51960	O-RING	1	1						A
12	1	22190-080002	WASHER, SEAL 6	4	4						
13	1	22190-080002	WASHER, SEAL 6	1	1						
14	1	24311-000160	O-RING, 1AP16.0	2	2						A
15	1	24311-000320	O-RING, 1AP32.0	1	1						A
16	1	26106-080122	BOLT, M8X 12 PLATED	4	4						
17	1	26106-080162	BOLT, M8X 16 PLATED	1	1						
18	1	26106-080162	BOLT, M8X 16 PLATED	3	3						
19	1	26106-080202	BOLT, M8X 20 PLATED	2	2						
20	1	26106-080452	BOLT, M8X 45 PLATED	6	6						
21	1	26106-080552	BOLT, M8X 55 PLATED	3	3						
22	1	26106-080852	BOLT, M8X 85 PLATED	4							
22-1	1	129001-91840	BOLT, M8X85	4	4						N
(A=E/#33031)											
22-2	1	129001-91841	BOLT, M8X85	4	4						R
(A=E/#45625) (B=E/#51085)											
23	1	26366-080002	NUT, M8	3	3						
24	1	121023-01550	COVER	1	1						
25	1	24341-000240	O-RING, 1AS24.0	1	1						A
26	1	26106-060122	BOLT, M6X 12 PLATED	2							
26-1	1	26106-060162	BOLT, M6X 16 PLATED	2	2						N
(A=E/XXX)											
27	1	171031-11741	PIPE	1	1						
28	1	24311-000320	O-RING, 1AP32.0	1	1						A

Remarks

(A)THESE PART ARE ALSO SOLD BY  
FIG 17.REF NO.1  
(GASKET SET.P/# 729430-92620).

Fig.3. FLYWHEEL HOUSING & LUB.OIL SUMP



(A)=4TNE88-B1  
(B)=4TNE88-EB1  
(C)=

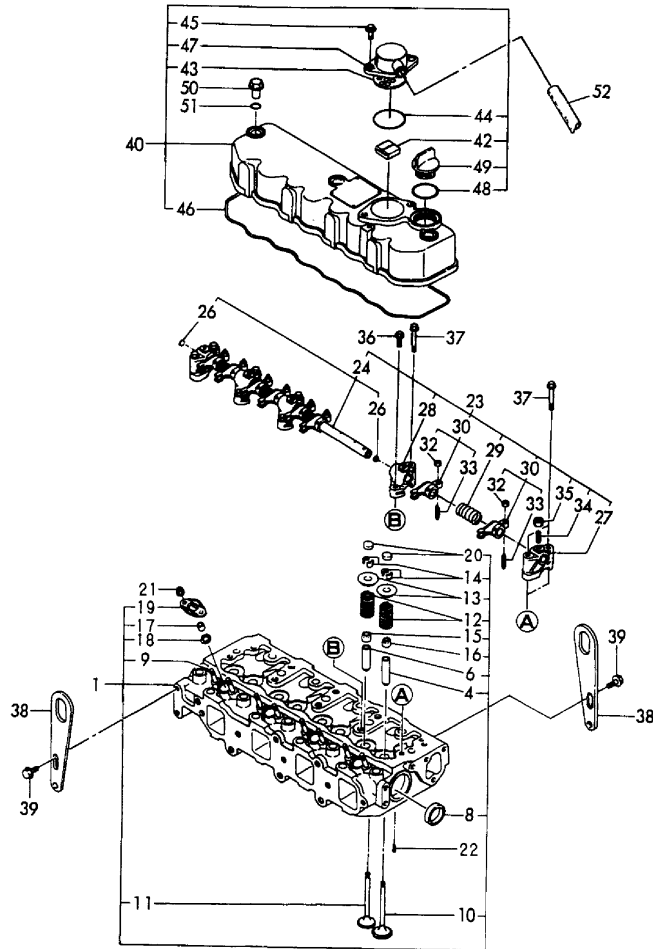
(D)=  
(E)=  
(F)=

No.	Lev.	Parts No.	Description	Q'ty						I	R
				(A)	(B)	(C)	(D)	(E)	(F)		
1	1	129100-01580	PIN, M8X16	2	2						
2	1	171440-01600	HOUSING, FLYWHEEL	1	1						
3	1	119620-01750	CAP	1	1						
4	1	26206-100252	BOLT, M10X 25 PLATED	6	6						
5	1	26206-100302	BOLT, M10X 30 PLATED	4	4						
6	1	129436-01780	SUMP ASSY, OIL	1	1						
8	2	119640-01640	PLUG, DRAIN M22	1	1						
9	2	22190-220002	WASHER, SEAL 22	1	1						
10	1	26106-080252	BOLT, M8X 25 PLATED	2	2						
11	1	26106-080452	BOLT, M8X 45 PLATED	24	24						
11-1	1	26106-080452	BOLT, M8X 45 PLATED	20	20						K
(A=FROM 1ST) (B=FROM 1ST)											
12	1	26106-080162	BOLT, M8X 16 PLATED	4	4						
13	1	129400-01730	SPACER, OIL SUMP	1	1						
14	1	129100-01580	PIN, M8X16	2	2						
15	1	129100-01640	CASE ASSY, OIL SEAL	1	1						
16	2	129150-01650	CASE, OIL SEAL	1	1						
17	2	129795-01780	SEAL, OIL	1	1						
18	1	129486-01670	BOLT, M8X30	6	6						
19	1	26106-080352	BOLT, M8X 35 PLATED	3	3						
20	1	26106-080502	BOLT, M8X 50 PLATED	4	4						W
(A=FROM 1ST) (B=FROM 1ST)											

Fig.4. CYLINDER HEAD & BONNET

Y00B5973

Fig.4 シリンダヘッド&ボンネット  
CYLINDER HEAD & BONNET



(A)=4TNE88-B1  
(B)=4TNE88-EB1  
(C)=

(D)=  
(E)=  
(F)=

No.	Lev.	Parts No.	Description	Q'ty						I	R
				(A)	(B)	(C)	(D)	(E)	(F)		
1	1	129407-11700	HEAD ASSY, CYLINDER	1	1						
4	3	120130-11860	GUIDE, VALVE	4	4						1
6	3	129150-11810	GUIDE, VALVE	4	4						1
8	3	27241-400000	PLUG, 40	2	2						
9	3	26216-060202	STUD, M6X 20	8	8						
10	2	129100-11100	VALVE, INTAKE	4	4						
11	2	129100-11110	VALVE, EXHAUST	4	4						
12	2	129795-11120	SPRING, VALVE	8	8						
13	2	129795-11180	RETAINER, SPRING	8	8						
14	2	27310-080001	COTTER, 8	8	8						
15	2	121400-11340	SEAL, VALVE STEM	4	4						A
16	2	124460-11340	SEAL, VALVE STEM	4	4						A
17	2	119625-11871	PROTECTOR, NOZZLE	4	4						A
17-1	2	119625-11870	PROTECTOR, NOZZLE	4	4						N A
(A=E/# 32452)											
18	2	119625-11880	SEAT, NOZZLE	4	4						A
19	2	119625-11900	RETAINER, NOZZLE	4	4						
20	2	129150-11370	CAP, VALVE	8	8						
21	1	26366-060002	NUT, M6	8	8						
22	1	22351-060012	PIN, SPRING 6.0X12	2	2						
23	1	129500-11240	SHAFT ASSY, ROCKER	1	1						
24	2	129550-11290	SHAFT, ROCKER ARM	1	1						
26	3	27241-100000	PLUG, 10	2	2						
27	2	129155-11260	SUPPORT, ROCKER ARM	2	2						
28	2	129155-11270	SUPPORT, ROCKER ARM	3	3						
29	2	129150-11280	SPRING	4	4						
30	2	129100-11650	ARM, ROCKER	8	8						
32	3	129150-11750	NUT, M8	8	8						
33	3	129150-11230	SCREW, VALVE ADJUST	8	8						
34	2	26226-080182	STUD, M8X 18	3	3						
35	2	26756-080002	NUT, LOCK M8	3	3						
36	1	26106-080252	BOLT, M8X 25 PLATED	3	3						
37	1	26106-080502	BOLT, M8X 50 PLATED	7	7						
38	1	124736-07900	LIFTER	2	2						
39	1	26106-080142	BOLT, M8X 14 PLATED	4	4						
40	1	129400-11350	BONNET ASSY, HEAD	1	1						
42	2	129150-03070	BAFFLE, BREATHER	1	1						
43	2	129150-03080	PLATE, BAFFLE	1	1						
44	2	24341-000500	O-RING, 1AS50.0	1	1						A
45	2	26106-080162	BOLT, M8X 16 PLATED	2	2						
46	2	129550-11310	GASKET, BONNET	1	1						A
47	2	129150-03020	COVER, BREATHER	1	1						
48	2	24311-000320	O-RING, 1AP32.0	1	1						A
49	2	124160-01751	COVER, FILLER	1	1						
50	1	124160-11360	KNOB	3	3						
51	1	24311-000120	O-RING, 1AP12.0	3	3						A
52	1	171350-03090	PIPE, BREATHER 900	1	1						

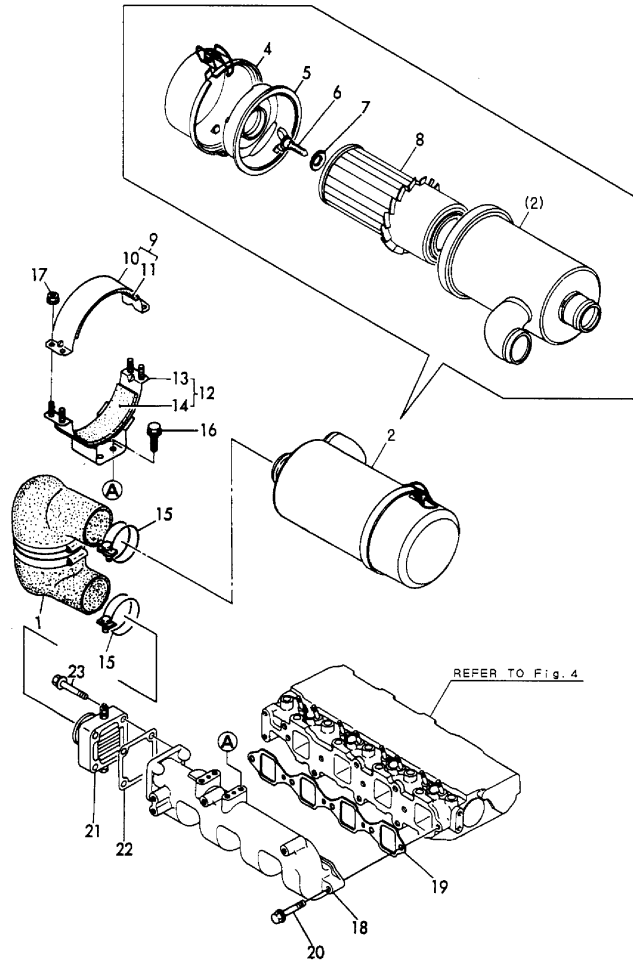
Remarks

(1)REPAIR PART  
(A)THESE PART ARE ALSO SOLD BY  
FIG 17.REF NO.1  
(GASKET SET.P/# 729430-92620).

Fig.5. SUC. MANIFOLD & AIR CLEANER

Y00B5973

Fig.5 吸気マニホールド&エアクリーナ  
SUC.MANIFOLD & AIR CLEANER



(A)=4TNE88-B1  
(B)=4TNE88-EB1  
(C)=

(D)=  
(E)=  
(F)=

No.	Lev.	Parts No.	Description	Q'ty						I	R
				(A)	(B)	(C)	(D)	(E)	(F)		
1	1	119812-12200	SILENCER	1	1						
2	1	129432-12520	CLEANER ASSY, AIR	1	1						1
4	2	121120-12531	PAN, DUST	1	1						
5	2	121120-12541	RETAINER, ELEMENT	1	1						
6	2	121120-12561	BOLT	1	1						
7	2	121120-12571	WASHER, SEAL	1	1						
8	2	121120-12901	ELEMENT	1	1						
8-1	2	121120-18901	ELEMENT	1	1						R
		(A=E-XXX)	(B=E-XXX)								
8A	1	172125-03950	LABEL, AIR CLEANER	1	1						2
9	1	121400-12540	BAND ASSY, CLEANER	1	1						
10	2	121400-12560	BAND, AIR CLEANER	1	1						
11	2	121400-12570	SEAT, RUBBER B	1	1						
12	1	171351-12580	SUPPORT ASSY,CLEANER	1	1						
13	2	171351-12560	SUPPORT, AIR CLEANER	1	1						
14	2	171351-12570	SEAT, RUBBER	1	1						
15	1	23000-060000	CLAMP, 60	2	2						
16	1	26106-080142	BOLT, M8X 14 PLATED	4	4						
17	1	26366-060002	NUT, M6	4	4						
18	1	129488-12100	MANIFOLD, AIR INTAKE	1	1						A
19	1	129550-12111	GASKET, MANIFOLD	1	1						A
20	1	26106-080352	BOLT, M8X 35 PLATED	5	5						
21	1	129120-77501	HEATER	1	1						
22	1	129150-77511	GASKET	1	1						A
23	1	26106-080352	BOLT, M8X 35 PLATED	4	4						

Remarks

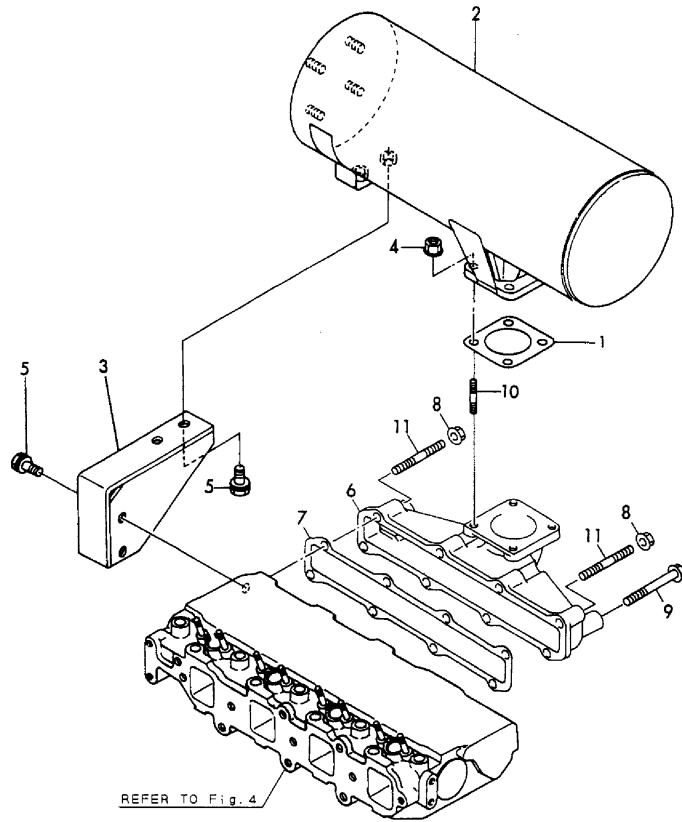
(A)THESE PART ARE ALSO SOLD BY  
FIG 17.REF NO.1  
(GASKET SET.P/# 729430-92620).  
(1)PLEASE USE THIS PART WITH FOLLOW-  
ING LABELS AT THE SAME TIME.  
REF. NO. 8A.  
(2)LABELS ARE NOT ILLUSTRATED.



# Fig.6. EXH. MANIFOLD & SILENCER

Y0085973

**Fig. 6** 排気マニホールド&サイレンサ  
EXH. MANIFOLD & SILENCER



(A)=4TNE88-B1  
(B)=4TNE88-EB1  
(C)=

(D)=  
(E)=  
(F)=

No.	Lev.	Parts No.	Description	Q'ty						I	R
				(A)	(B)	(C)	(D)	(E)	(F)		
1	1	129400-13201	GASKET, SILENCER	1	1						A
2	1	129430-13500	SILENCER	1	1						
3	1	171350-13650	STAY, SILENCER	1							
3-1	1	171350-13651 (A=E/#30762)	STAY, SILENCER	1	1						N
4	1	194990-22050	NUT, M8	4							
4-1	1	26366-080002 (A=E/#34653)	NUT, M8	4	4						R
5	1	26014-080202	BOLT, M8X 20	4	4						
6	1	129407-13100	MANIFOLD, EXHAUST	1	1						
7	1	129407-13110	GASKET	1	1						A
8	1	194990-22050	NUT, M8	2							
8-1	1	26366-080002 (A=E/#34653)	NUT, M8	2	2						R
9	1	26106-080402	BOLT, M8X 40 PLATED	6	6						
10	1	26216-080222	STUD, M8X 22	4							
10-1	1	119131-18320 (A=E/#31172)	STUD, M8X22	4	4						N
11	1	26216-080402	STUD, M8X 40	2	2						

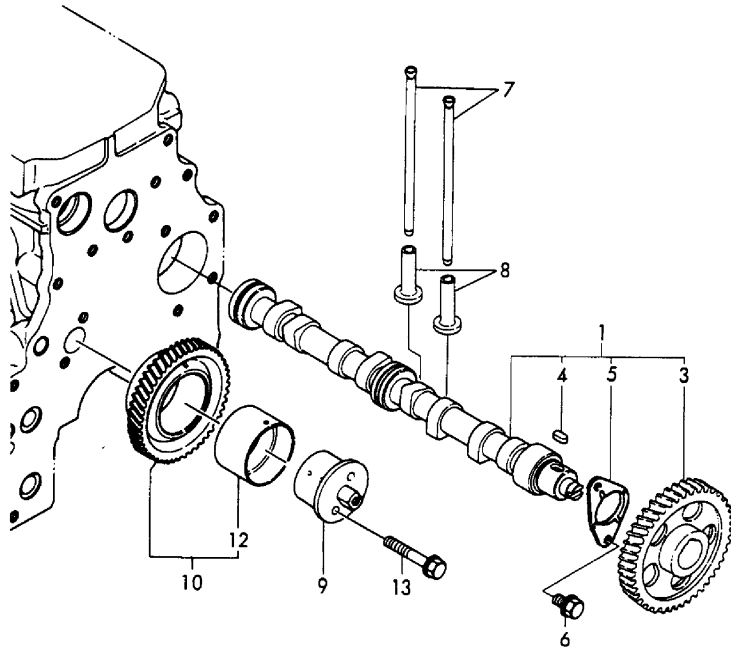
**Remarks**

(A) THESE PART ARE ALSO SOLD BY  
FIG 17. REF NO.1  
(GASKET SET.P/# 729430-92620).

Fig.7. CAMSHAFT & DRIVING GEAR

Y00B5973

Fig. 7 カムシャフト&駆動ギヤ  
CAMSHAFT & DRIVING GEAR



(A)=4TNE88-B1  
(B)=4TNE88-EB1  
(C)=

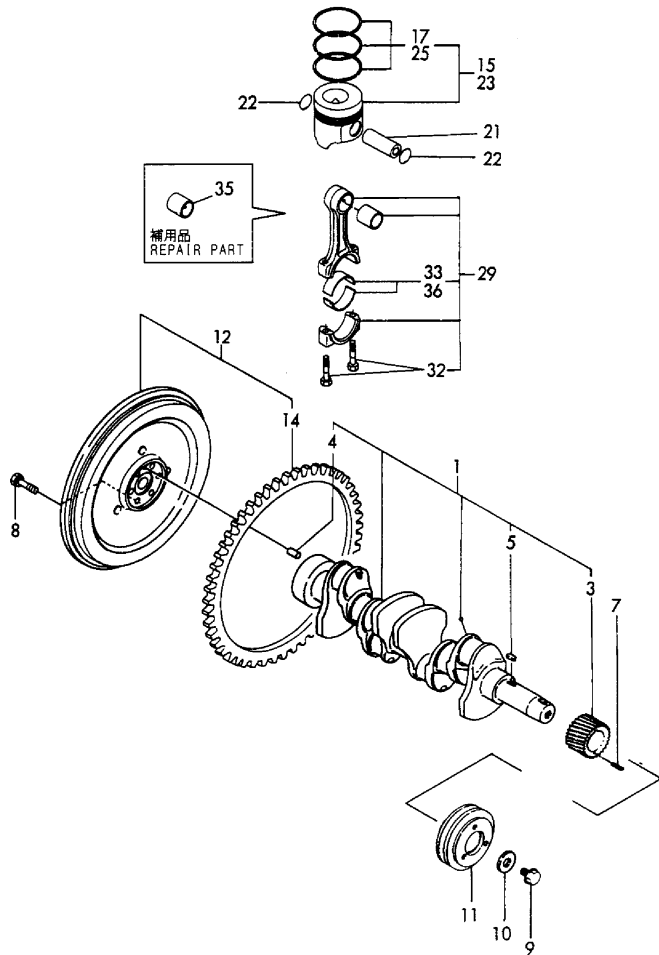
(D)=  
(E)=  
(F)=

No.	Lev.	Parts No.	Description	Q'ty						I	R
				(A)	(B)	(C)	(D)	(E)	(F)		
1	1	729402-14580	CAMSHAFT ASSY	1	1						
3	2	129150-14101	GEAR, CAMSHAFT	1	1						
4	2	22512-070140	KEY, 7X 14	1	1						
5	2	129150-02450	BEARING, THRUST	1	1						
6	1	26106-080162	BOLT, M8X 16 PLATED	2	2						
7	1	129150-14400	ROD, PUSH L=178	8	8						
8	1	129150-14200	TAPPET	8	8						
9	1	129100-25061	SHAFT, IDLE	1	1						
10	1	129150-25101	GEAR ASSY, IDLE	1	1						
12	2	129150-25061	BUSH, IDLE GEAR	1	1						
13	1	26106-080452	BOLT, M8X 45 PLATED	2	2						

# Fig.8. CRANKSHAFT & PISTON

Y00B5973

Fig.8 クランクシャフト&ピストン  
CRANKSHAFT & PISTON



(A)=4TNE88-B1  
(B)=4TNE88-EB1  
(C)=

(D)=  
(E)=  
(F)=

No.	Lev.	Parts No.	Description	Q'ty						I	R
				(A)	(B)	(C)	(D)	(E)	(F)		
1	1	129407-21000	CRANKSHAFT ASSY	1	1						
3	2	129150-21200	GEAR, CRANKSHAFT	1	1						
4	2	129100-01580	PIN, M8X16	1	1						
5	2	22512-070140	KEY, 7X 14	1	1						
7	1	22351-040010	PIN, SPRING 4.0X10	1	1						
8	1	121111-21501	BOLT, FLYWHEEL	6	6						
9	1	121850-21680	BOLT	1	1						
10	1	129795-21661	WASHER	1	1						
11	1	171301-21650	V-PULLEY	1	1						
12	1	129403-21590	FLYWHEEL ASSY	1	1						
14	2	124550-21600	GEAR, RING	1	1						
15	1	129001-22081	PISTON ASSY	4	4						
17	2	129001-22500	RING SET, PISTON	4	4						
21	1	129202-22300	PIN, PISTON D26 L70	4	4						
22	1	22252-000260	RING, 26	8	8						
23	1	129001-22901	PISTON ASSY, 0.25 OS	4	4						1
25	2	129001-22950	RING SET, 0.25 OS	4	4						1
29	1	729402-23100	ROD ASSY, CONNECTING	4	4						
32	2	121550-23200	BOLT, CONNECTING ROD	8	8						
33	2	129150-23600	BEARING, CRANK PIN	4	4						
35	1	129100-23910	BEARING, PISTON PIN	4	4						2
36	1	129150-23610	BEARING, 0.25 US	4	4						3

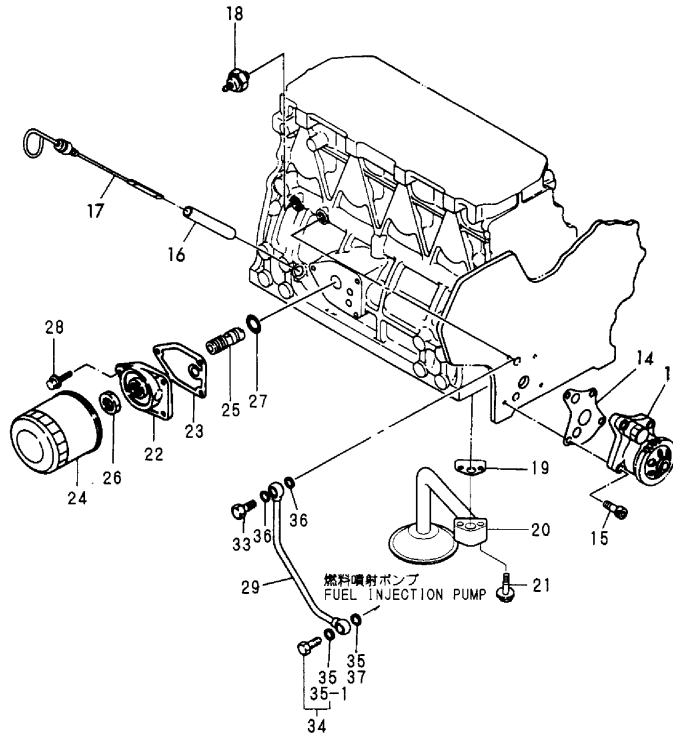
Remarks

- (1)OVER SIZE(O.S.=0.25)PART.
- (2)REPAIR PARTS
- (3)UNDER SIZE(U.S.=0.25)PART.

Fig.9. LUB. OIL SYSTEM

Y0085973

Fig.9 潤滑油システム  
LUB.OIL SYSTEM



(A)=4TNE88-B1  
(B)=4TNE88-EB1  
(C)=

(D)=  
(E)=  
(F)=

No.	Lev.	Parts No.	Description	Q'ty						I	R
				(A)	(B)	(C)	(D)	(E)	(F)		
1	1	129407-32000	PUMP ASSY, OIL	1	1						
14	1	129150-32020	GASKET, PUMP	1	1						A
15	1	26450-060252	BOLT, M6X 25	4	4						
16	1	121520-34810	GUIDE, DIPSTICK	1	1						
17	1	129430-34800	DIPSTICK, OIL	1	1						
18	1	124160-39450	SWITCH, 0.5KG	1	1						
18-1	1	114250-39450	SWITCH, 0.5KG	1	1						N
		(A=E/#45624) (B=E/#47710)									
19	1	129150-35041	GASKET	1	1						A
20	1	129436-35091	PIPE ASSY, OIL INLET	1	1						
21	1	26106-080352	BOLT, M8X 35 PLATED	2	2						
22	1	129150-35101	BRACKET, STRAINER	1	1						
23	1	129150-35111	GASKET	1	1						A
24	1	129150-35151	FILTER, D80XL80	1	1						
25	1	129001-35300	BOLT, FILTER	1	1						
26	1	129150-35350	NUT	1	1						
27	1	24311-000160	O-RING, 1AP16.0	1	1						
28	1	26106-080202	BOLT, M8X 20 PLATED	3	3						
29	1	129550-39450	PIPE ASSY, OIL	1	1						
33	1	124160-39140	BOLT, PIPE JOINT M10	1	1						
34	1	124550-59830	BOLT ASSY, JOINT M8	1	1						W
		(A=E/# 38932)									
35	2	22190-080002	WASHER, SEAL 6	2							
35-1	2	22190-080002	WASHER, SEAL 6	1	1						K
		(A=E/# 38932)									
36	1	23414-100000	GASKET, 10X1.0	2	2						
36-1	1	22190-100002	WASHER, SEAL 10	2	2						N
		(A=E/# 45625) (B=E/# 47710)									
37	1	22190-080002	WASHER, SEAL 6	1	1						W
		(A=E/# 38932)									

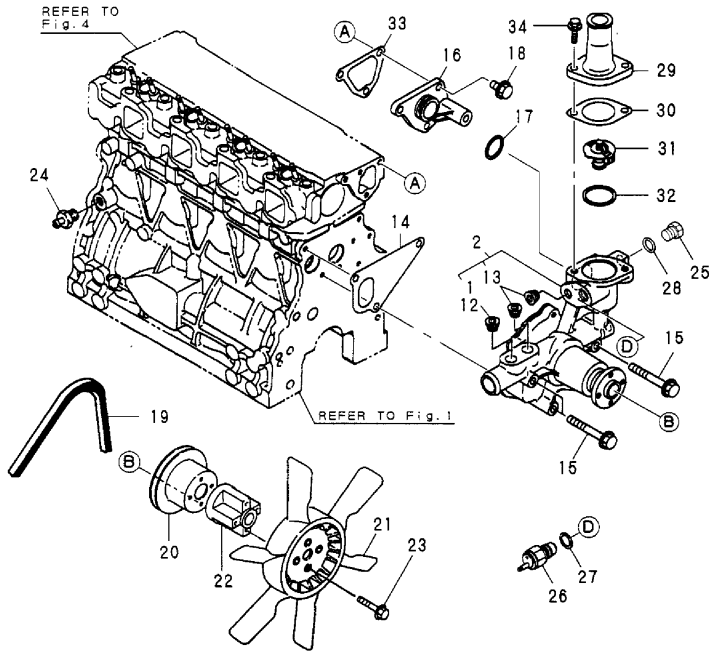
Remarks

(A)THESE PART ARE ALSO SOLD BY  
FIG 17.REF NO.1  
(GASKET SET.P/# 729430-92620).

Fig.10. COOLING WATER SYSTEM

Y0085973

Fig. 10 冷却水システム  
COOLING WATER SYSTEM



(A)=4TNE88-B1  
(B)=4TNE88-EB1  
(C)=

(D)=  
(E)=  
(F)=

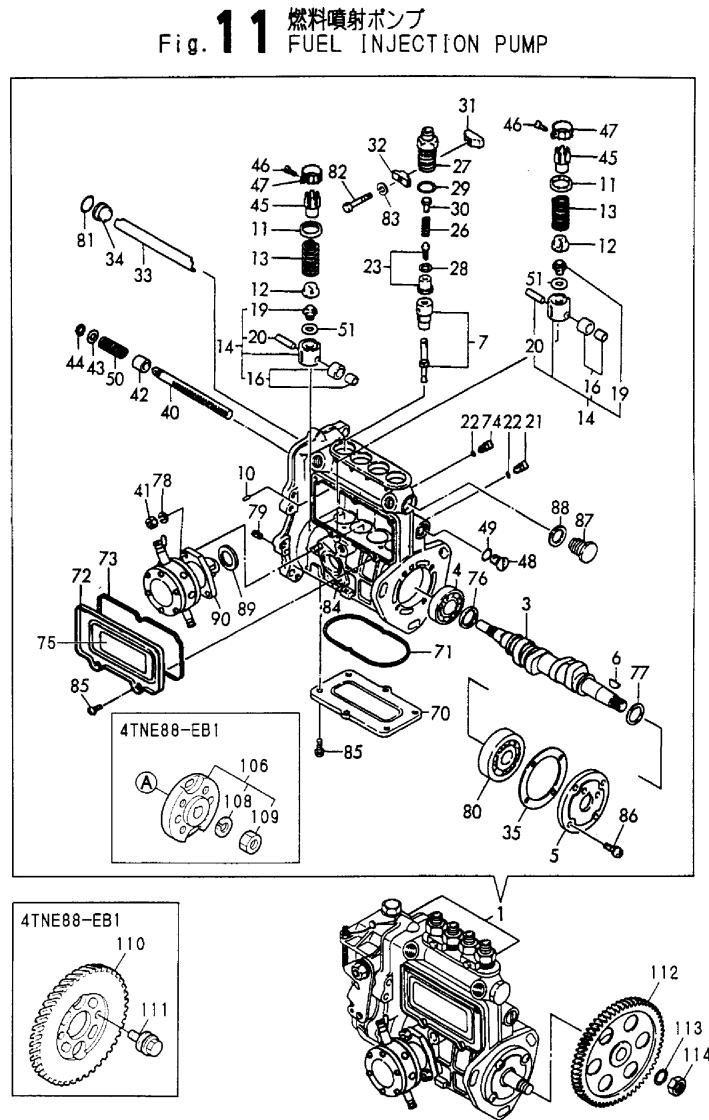
No.	Lev.	Parts No.	Description	Q'ty						I	R
				(A)	(B)	(C)	(D)	(E)	(F)		
1	1	121850-11860 (A=FROM 1ST)	PLUG, PT1/4	1							Z
2	1	129001-42002	PUMP ASSY, WATER	1							
2-1	1	129001-42003 (A=E/# 38932)	PUMP ASSY, WATER	1	1						N
12	2	23871-020000	PLUG, R02	1							
12-1	2	23876-020000 (A=E/# 38932)	PLUG, R02	1	1						N
13	2	23871-030000	PLUG, R03	2							
13-1	2	23876-030000 (A=E/# 38932)	PLUG, R03	2	2						N
14	1	129100-42020	GASKET, WATER PUMP	1	1						A
14A-1	1	129486-42021 (A=E/# 44930)	GASKET, WATER PUMP	1							N A
14B-1	1	129407-42020 (B=E/# 45993)	GASKET, WATER PUMP		1						R A
15	1	26106-080602	BOLT, M8X 60 PLATED	3	3						
16	1	129001-42040	JOINT	1	1						
17	1	24321-000300	O-RING, 1AG30.0	1							
17-1	1	129486-42140 (A=E/# 38932)	O-RING, G30	1	1						N
18	1	26106-080162	BOLT, M8X 16 PLATED	3	3						
19	1	25132-003700	V-BELT, A37	1	1						
20	1	129556-42350	V-PULLEY, 96	1	1						
21	1	129432-44740	FAN, COOLING D370XEF	1	1						
22	1	119256-44760	SPACER, FAN	1	1						
23	1	26106-060602	BOLT, M6X 60 PLATED	4	4						
24	1	121550-49111	JOINT, PT1/4	1	1						
25	1	121450-42450	PLUG, M16	1	1						
26	1	121250-44901	SWITCH, 110	1	1						
27	1	124465-44950	GASKET, 16	1	1						A
28	1	124465-44950	GASKET, 16	1	1						A
29	1	129350-49560	COVER, THERMOSTAT	1	1						
30	1	129795-49551	GASKET	1	1						A
31	1	129155-49800	THERMOSTAT, 71	1	1						
32	1	129150-49811	GASKET, THERMOSTAT	1	1						A
33	1	129100-49840	GASKET	1	1						A
33A-1	1	124395-49840 (A=E/# 45625)	GASKET	1							N A
33B-1	1	129407-49840 (B=E/# 45993)	GASKET		1						R A
34	1	26106-080202	BOLT, M8X 20 PLATED	2	2						

Remarks

(A)THESE PART ARE ALSO SOLD BY  
FIG 17.REF NO.1  
(GASKET SET.P/# 729430-92620).

# Fig.11. FUEL INJECTION PUMP

Y00B5973



Remarks  
(1)GOVERNOR ASSY(FIG NO.14)IS INCORPORATED IN THIS FUEL INJECTION PUMP ASSY(REF NO.1).

(A)=4TNE88-B1  
(B)=4TNE88-EB1  
(C)=

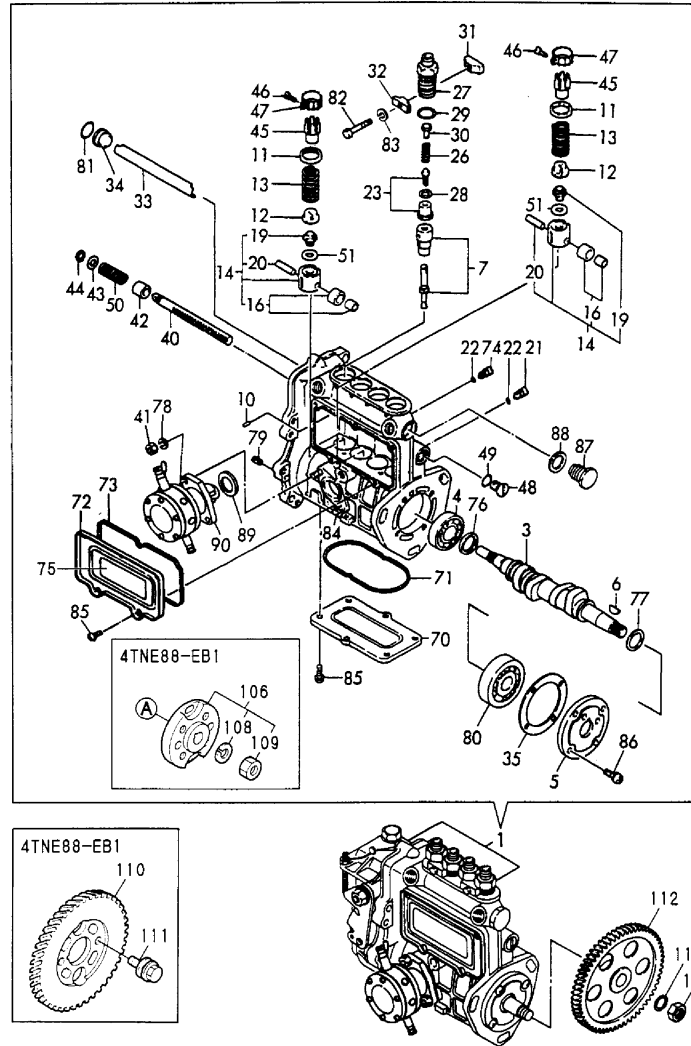
(D)=  
(E)=  
(F)=

No.	Lev.	Parts No.	Description	Q'ty						I	R
				(A)	(B)	(C)	(D)	(E)	(F)		
1	1	729430-51380	PUMP ASSY, INJECTION	1							1
1A	1	729430-51460	PUMP ASSY, INJECTION		1						1
3	2	129470-51040	CAMSHAFT	1	1						
4	2	129155-51050	BEARING, 17BM001D	1	1						
5	2	129155-51060	SUPPORT, CAMSHAFT	1							
5A	2	129208-51060	SUPPORT		1						
6	2	122710-51090	KEY	1	1						
7	2	129506-51100	PLUNGER ASSY	4	4						
10	2	129155-51140	PIN	4	4						
11	2	174307-51170	RETAINER, SPRING A	4	4						
12	2	129155-51180	RETAINER, SPRING	4	4						
13	2	124950-51190	SPRING, PLUNGER	4	4						
14	2	129155-51200	TAPPET ASSY	4	4						
16	3	711100-51540	ROLLER ASSY	4	4						
19	3	129155-51250	BOLT, ADJUSTING	4	4						
20	3	174100-54120	PIN	4	4						
21	2	129155-51270	STOPPER, TAPPET	4	4						
22	2	129155-51280	O-RING, S6	4	4						
23	2	129505-51300	VALVE ASSY, DELIVERY	4	4						
26	2	129155-51320	SPRING, DELIVERY	4	4						
27	2	129155-51340	RETAINER	4	4						
28	2	124550-51350	GASKET, DELIVERY	4	4						
29	2	124550-51370	O-RING	4	4						
30	2	129155-51370	STOPPER, VALVE	4	4						
31	2	129155-51380	STOPPER	2	2						
32	2	129155-51390	STOPPER	2	2						
33	2	129555-51400	DEFLECTOR	1	1						
34	2	129155-51410	BOLT	1	1						
35	2	129155-51450	SHIM SET, ADJUSTING	1	1						
40	2	129555-51500	RACK, CONTROL	1	1						
41	2	26716-060002	NUT, M6	2	2						
42	2	129155-51521	BUSH, RACK	1	1						
43	2	129155-51530	SPACER	1	1						
44	2	129155-51540	CIRCLIP	1	1						
45	2	129155-51550	PINION, CONTROL	4	4						
46	2	122117-51560	SCREW	4	4						
47	2	174307-51560	PINION	4	4						
48	2	129155-51570	PLUG, M12	1	1						
49	2	129155-51580	O-RING	1	1						
50	2	129155-51591	SPRING, RACK	1	1						
51	2	129155-51600	SHIM SET, ADJUSTING	4	4						
70	2	129555-51700	COVER	1	1						
70-1	2	129555-51701	COVER	1	1						N
				(A=E/# 45625) (B=E/# 48847)							
71	2	129555-51710	GASKET	1	1						
72	2	129555-51750	COVER	1	1						
72-1	2	129555-51751	COVER	1	1						N
				(A=E/# 45625) (B=E/# 48847)							
73	2	129555-51760	GASKET	1	1						
74	2	129155-51790	STOOPER, RACK	1	1						
75	2	129156-51910	LABEL, CAUTION	1	1						

Fig.11. FUEL INJECTION PUMP

Y00B5973

Fig. 11 燃料噴射ポンプ  
FUEL INJECTION PUMP



(A)=4TNE88-B1  
(B)=4TNE88-EB1  
(C)=

(D)=  
(E)=  
(F)=

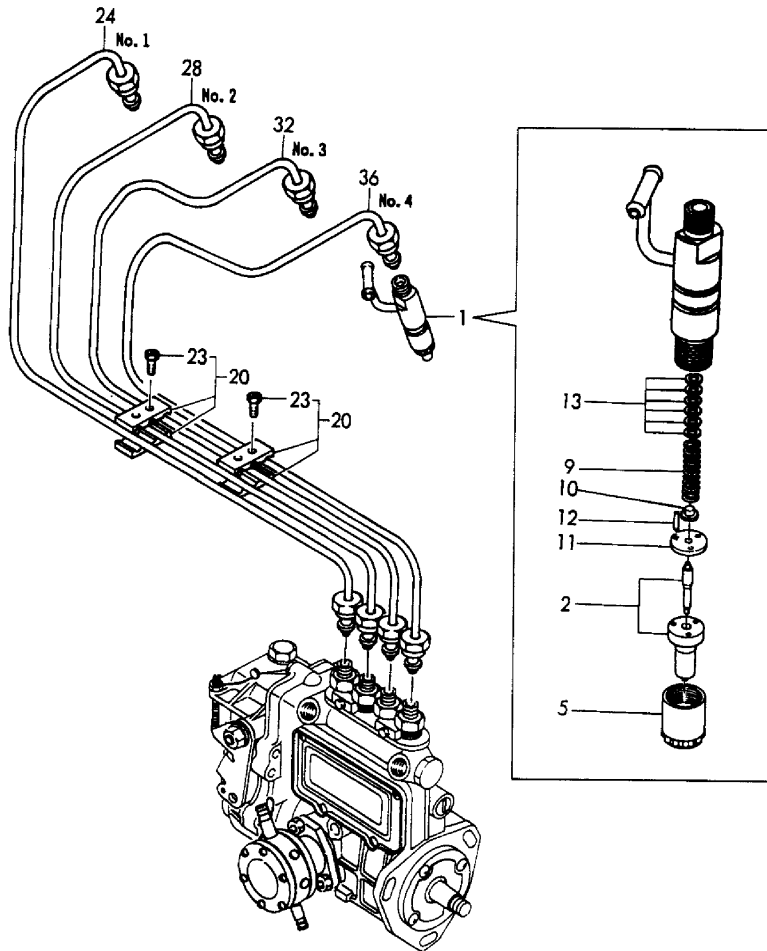
No.	Lev.	Parts No.	Description	Qty						I	R
				(A)	(B)	(C)	(D)	(E)	(F)		
76	2	129155-51930	SPACER, T=3.25	1	1						
77	2	129155-51940	SPACER, T=1.5	1	1						
78	2	22217-060000	WASHER, SPRING 6	2	2						
79	2	22351-050010	PIN, SPRING 5.0X10	2	2						
80	2	24101-063034	BEARING, BALL 6303	1	1						
81	2	24341-000160	O-RING, 1AS16.0	1	1						
82	2	26116-050302	BOLT, M5X 30 PLATED	2	2						
83	2	22217-050000	WASHER, SPRING 5	2	2						
84	2	129155-51020	STUD	2	2						
85	2	26022-050102	SCREW, M5X10	11	11						
85-1	2	26022-050122	SCREW, M5X12	11	11						N
(A=E/# 45625) (B=E/# 48847)											
86	2	26022-060162	SCREW, M6X16	4	4						
87	2	129155-51420	PLUG, M16	1	1						
88	2	22190-160002	WASHER, SEAL 16	1	1						
89	2	129155-52050	GASKET	1	1						
90	2	129100-52100	PUMP ASSY, FUEL FEED	1	1						
106	2	129208-54500	FLANGE ASSY		1						
108	3	22217-120000	WASHER, SPRING 12		1						
109	3	26716-120002	NUT, M12		1						
110	1	129150-25931	GEAR, PUMP		1						
111	1	129150-25301	BOLT		4						
112	1	129150-25900	GEAR, PUMP		1						
113	1	22217-120000	WASHER, SPRING 12		1						
114	1	26716-120002	NUT, M12		1						

Remarks  
(1)GOVERNOR ASSY(FIG NO.14)IS INCORPORATED IN THIS FUEL INJECTION PUMP ASSY(REF NO.1).

Fig.12. FUEL INJECTION PIPE

Y00B5973

Fig. 12 燃料噴射パイプ FUEL INJECTION PIPE



(A)=4TNE88-B1  
(B)=4TNE88-EB1  
(C)=

(D)=  
(E)=  
(F)=

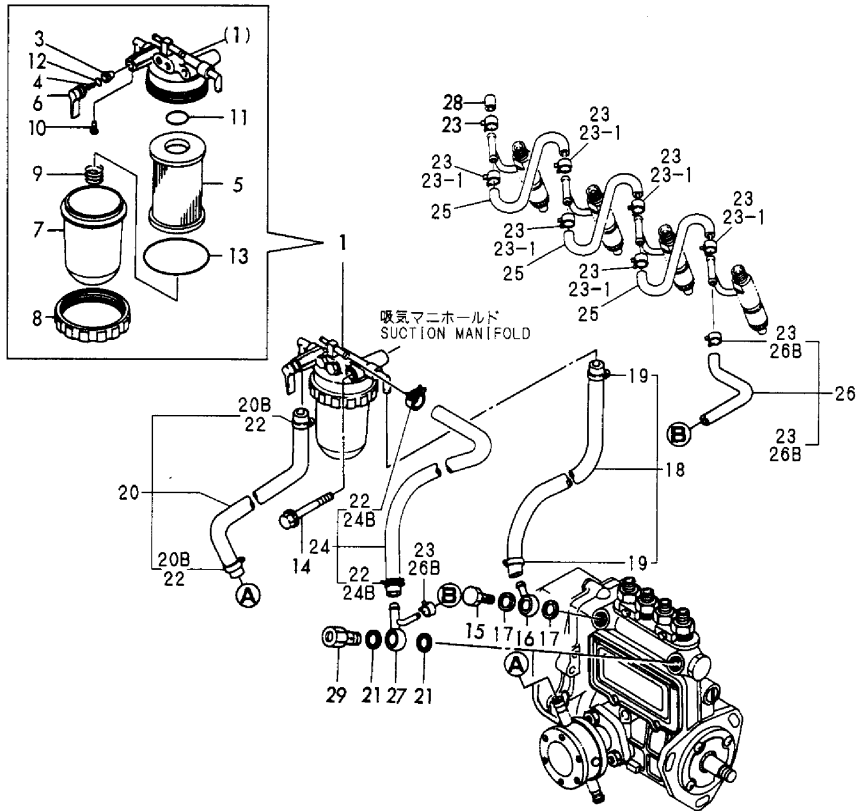
No.	Lev.	Parts No.	Description	Q'ty						I	R
				(A)	(B)	(C)	(D)	(E)	(F)		
1	1	729102-53100	VALVE ASSY,INJECTION	4	4						
2	2	129102-53000	VALVE ASSY,INJECTION	4	4						
5	2	114250-53080	NUT, NOZZLE D16.95	4	4						
9	2	114250-53120	SPRING, NOZZLE	4	4						
10	2	114250-53130	SEAT, SPRING	4	4						
11	2	114250-53140	PLATE	4	4						
12	2	114250-53210	PIN	8	8						
13	2	114250-53400	SHIM SET	4	4						
20	1	129150-59120	RETAINER, PIPE	2	2						
23	2	129150-59131	BOLT, M4X14	4	4						
24	1	129420-59910	PIPE ASSY, INJECTION	1	1						
28	1	129420-59920	PIPE ASSY, INJECTION	1	1						
32	1	129420-59930	PIPE ASSY, INJECTION	1	1						
36	1	129420-59940	PIPE ASSY, INJECTION	1	1						



Fig.13. FUEL PIPE

Y0085973

Fig. 13 燃料パイプ  
FUEL PIPE



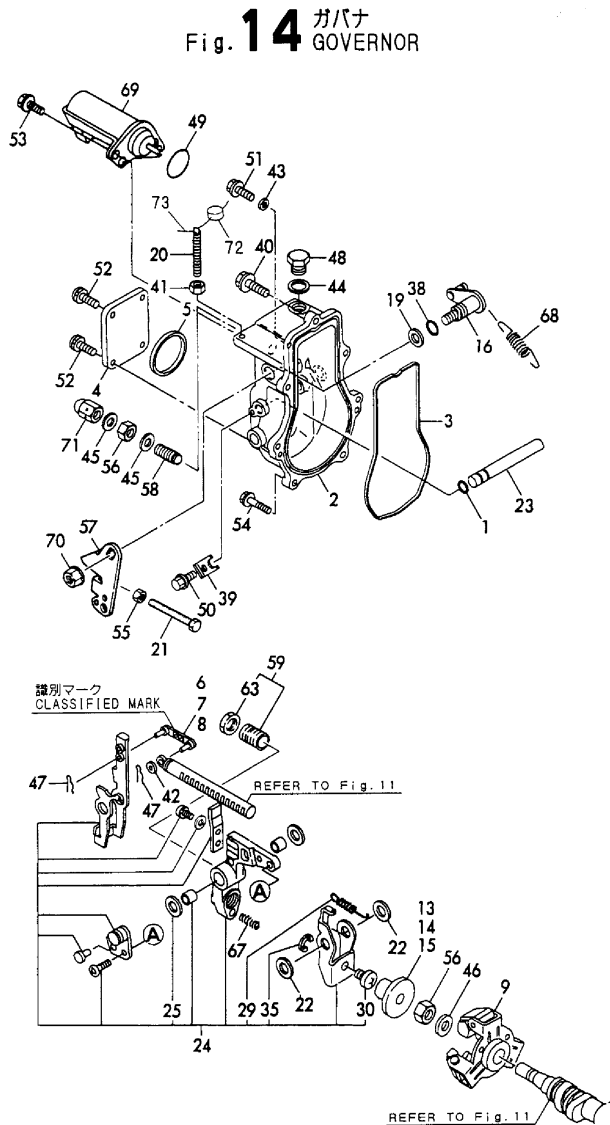
(A)=4TNE88-B1  
(B)=4TNE88-EB1  
(C)=

(D)=  
(E)=  
(F)=

No.	Lev.	Parts No.	Description	Q'ty						I	R
				(A)	(B)	(C)	(D)	(E)	(F)		
1	1	129052-55620	FILTER ASSY, FUEL	1	1						
3	2	104200-55321	VALVE, TAPER	1	1						
4	2	104200-55330	SPRING, VALVE	1	1						
5	2	129100-55650	ELEMENT	1	1						
6	2	129100-55670	LEVER	1	1						
7	2	129100-55680	CUP, STRAINER	1	1						
8	2	129100-55690	RING, RETAINING	1	1						
9	2	129100-55700	SPRING	1	1						
10	2	104200-55750	SCREW, M4	1	1						
11	2	24311-000160	O-RING, 1AP16.0	1	1						
12	2	24311-240100	O-RING, 1AP10A	1	1						
13	2	24321-000650	O-RING, 1AG65.0	1	1						
14	1	26014-080702	BOLT, M8X 70	1	1						
15	1	103854-39140	BOLT, PIPE JOINT	1	1						
16	1	101304-59020	JOINT, PIPE 12	1	1						
17	1	22190-120002	WASHER, SEAL 12	2	2						
18	1	129210-59040	PIPE ASSY, FUEL	1	1						W
(A=E/#36108)											
19	2	124766-59050	CLIP, HOSE 12	2	2						
20	1	129210-59150	PIPE ASSY, FUEL	1	1						W
(A=E/#36108)											
20B	2	124766-59050	CLIP, HOSE 12	2	2						W
(A=E/#36108)											
21	1	23414-120000	GASKET, 12X1.0	2							
21-1	1	22190-120002	WASHER, SEAL 12	2	2						N
(A=E/# 38932)											
22	1	124766-59050	CLIP, HOSE 12	4							Z
(A=E/# 36108)											
23	1	124066-59100	CLIP, HOSE 8	9	9						
23-1	1	124066-59100	CLIP, HOSE 8	7	7						K
(A=E/# 45625) (B=E/# 50196)											
24	1	129210-59150	PIPE ASSY, FUEL	1	1						W
(A=E/# 36108)											
24B	2	124766-59050	CLIP, HOSE 12	2	2						W
(A=E/# 36108)											
25	1	121250-59550	PIPE, FUEL D8X120	3	3						
26	1	119840-59500	PIPE ASSY, RETURN	1	1						W
(A=E/# 45625) (B=E/# 50196)											
26B	2	124066-59100	CLIP, HOSE 8	2	2						W
(A=E/# 45625) (B=E/# 50196)											
27	1	119840-59570	JOINT	1	1						
28	1	129150-59580	CAP	1	1						
29	1	129100-59951	VALVE ASSY, CHECK	1	1						

Fig.14. GOVERNOR

Y00B5973



(A)=4TNE88-B1  
(B)=4TNE88-EB1  
(C)=

(D)=  
(E)=  
(F)=

No.	Lev.	Parts No.	Description	Q'ty						I	R
				(A)	(B)	(C)	(D)	(E)	(F)		
1	2	129155-51280	O-RING, S6	1	1						
2	2	129052-61010	CASE, GOVERNOR	1	1						
3	2	129052-61050	GASKET	1	1						
4	2	129052-61060	COVER, GOVERNOR CASE	1	1						
5	2	129052-61070	GASKET	1	1						
6	2	129155-61120	LINK, L=30 MARK 0	1	1						1
7	2	129155-61130	LINK, L=31 MARK 1	1	1						1
8	2	129155-61140	LINK, L=30.5 MARK 05	1	1						1
9	2	129155-61201	WEIGHT ASSY,GOVERNOR	1	1						
9A-1	2	129155-61202	WEIGHT ASSY,GOVERNOR	1							R
		(A=E/# 45625)									
9B-1	2	129486-61201	WEIGHT ASSY,GOVERNOR		1						N
		(B=E/# 48847)									
13	2	129155-61341	SLEEVE	1	1						2
14	2	129155-61350	SLEEVE, L=24.9	1	1						2
15	2	129155-61360	SLEEVE, L=25.2	1	1						2
16	2	129100-61400	SHAFT ASSY	1	1						
19	2	129155-61430	SPACER	1	1						
20	2	129155-61450	BOLT, LIMITER	1	1						
21	2	129155-61460	BOLT, IDLE	1	1						
22	2	129155-61480	SPACER ASSY	2	2						
23	2	129052-61390	SHAFT	1	1						
24	2	129052-61500	LEVER ASSY, GOVERNOR	1	1						
24-1	2	119908-61500	LEVER ASSY, GOVERNOR		1						S
		(B=E/# 45993)									
25	3	174307-51700	SHIM SET	2	2						
29	3	129052-61540	SPRING, SET	1	1						
30	3	129155-61540	SHIFTER	1	1						
30-1	3	119600-61540	SHIFTER		1						S
		(B=E/# 45993)									
35	3	22272-000040	RING, E- 4	1	1						
38	2	129155-61830	O-RING, S10	1	1						
39	2	119660-61901	RETAINER, SHAFT	1	1						
40	2	129155-61950	BOLT	1	1						
41	2	124550-66370	NUT, M6	1	1						
42	2	22117-040000	WASHER, 4	1	1						
43	2	22190-060002	WASHER, SEAL 6	1							
43-1	2	22190-060003	SEAL WASER 6	1	1						R
		(A=E/#36108)									
44	2	22190-100002	WASHER, SEAL 10	1	1						
45	2	22190-120002	WASHER, SEAL 12	2	2						
46	2	22287-120000	WASHER, 12	1	1						
47	2	22372-040000	PIN, SNAP 4	2	2						
48	2	23887-100002	PLUG, 10	1	1						
49	2	24341-000280	O-RING, 1AS28.0	1	1						
50	2	26106-060102	BOLT, M6X 10 PLATED	1	1						
51	2	26106-060102	BOLT, M6X 10 PLATED	1	1						
52	2	26106-060102	BOLT, M6X 10 PLATED	4	4						
53	2	26106-060142	BOLT, M6X 14 PLATED	2	2						
54	2	26106-060202	BOLT, M6X 20 PLATED	6	6						
55	2	26756-060002	NUT, LOCK M6	1	1						

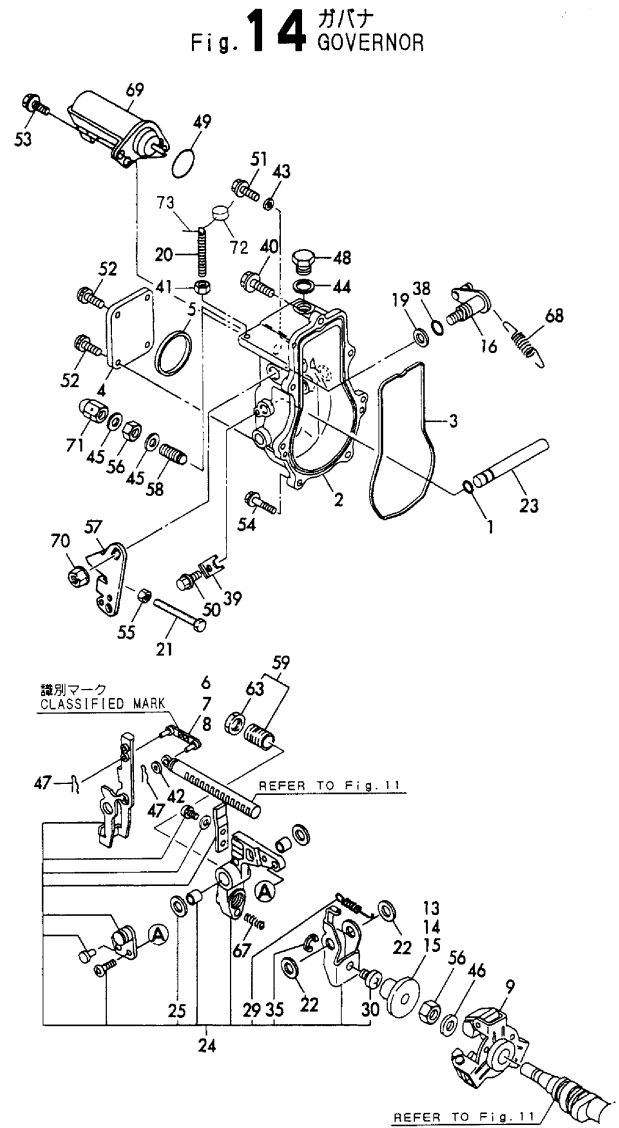
Remarks

(1) SELECTIVE PARTS : CERTAIN THE CLASSIFICATION MARK, THEN PLACE YOUR ORDER. (ILLUSTRATION)

(2) SELECTIVE PART.

# Fig.14. GOVERNOR

Y00B5973



(A)=4TNE88-B1  
(B)=4TNE88-EB1  
(C)=

(D)=  
(E)=  
(F)=

No.	Lev.	Parts No.	Description	Qty						I	R
				(A)	(B)	(C)	(D)	(E)	(F)		
56	2	26776-120002	NUT, LOCK M12	2	2						
57	1	129100-61440	LEVER, CONTROL	1	1						
58	1	129155-61470	BOLT, CONTROL	1	1						
58-1	1	120323-61470 (B=E/# 45993)	BOLT, CONTROL		1						N
59	1	129132-61550	ANGLEICH ASSY	1	1						
63	2	129155-61590	NUT, LOCK	1	1						
67	1	129100-61650	SPRING, CONTROLLER	1	1						
68	1	129489-61700	SPRING, GOVERNOR	1	1						
69	1	119233-77951	SOLENOID	1	1						
70	1	26366-080002	NUT, M8	1	1						
71	1	26687-120002	NUT, CAP M12	1							
71A	1	129100-61930	NUT, CAP		1						
72	1	135210-61090	LEAD		1						
73	1	22451-060000	WIRE, 0.6		1						

**Remarks**

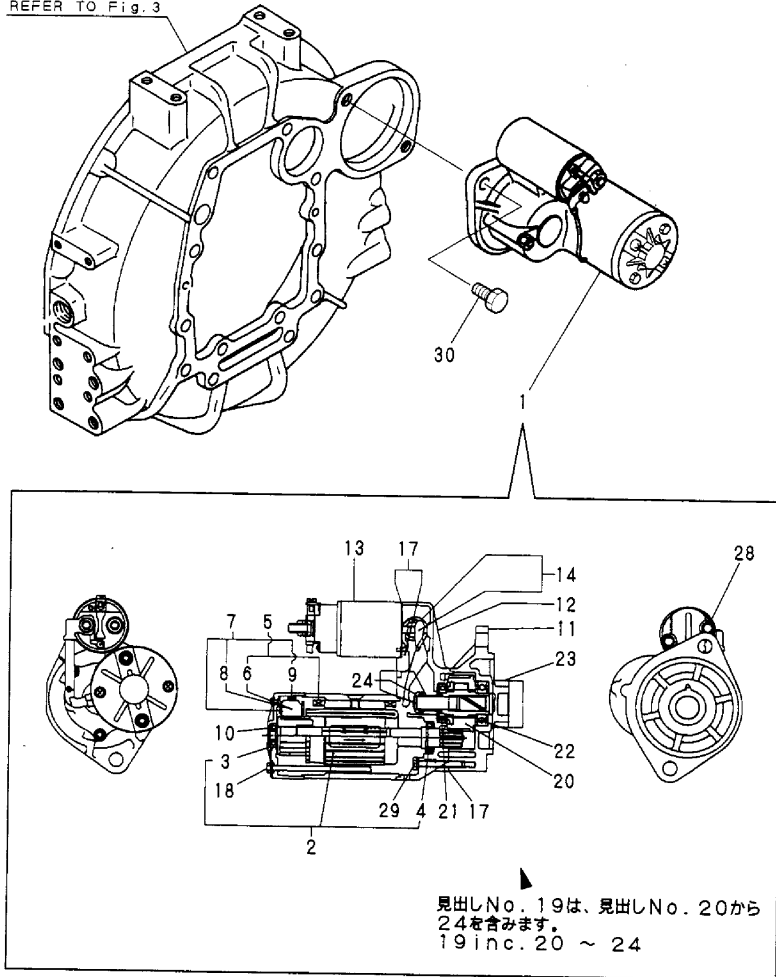
- (1) SELECTIVE PARTS : CERTAIN THE CLASSIFICATION MARK, THEN PLACE YOUR ORDER. (ILLUSTRATION)
- (2) SELECTIVE PART.

Fig.15. STARTING MOTOR

Y00B5973

Fig.15 スタートリングモータ  
STARTING MOTOR

REFER TO Fig.3



(A)=4TNE88-B1  
(B)=4TNE88-EB1  
(C)=

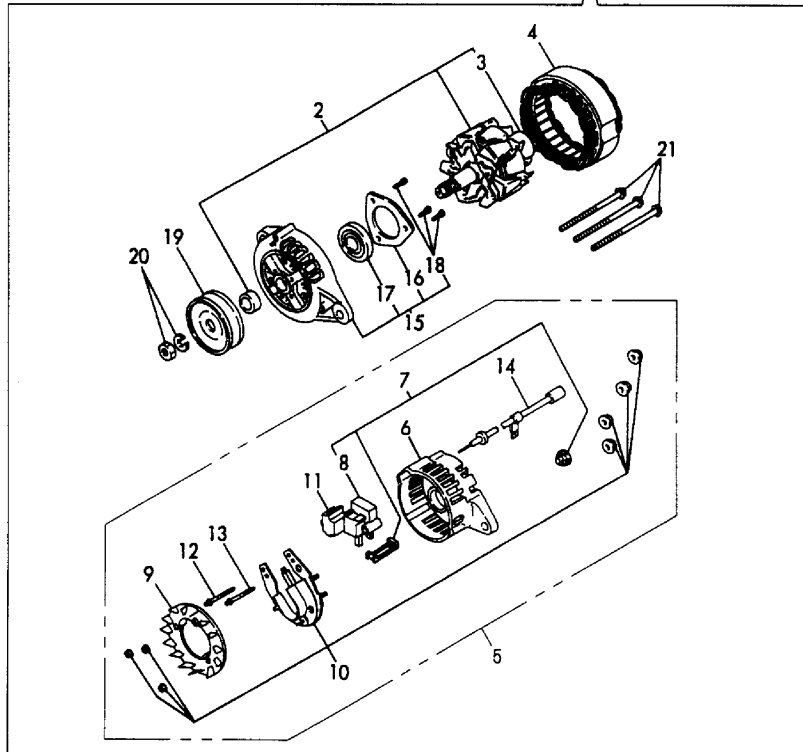
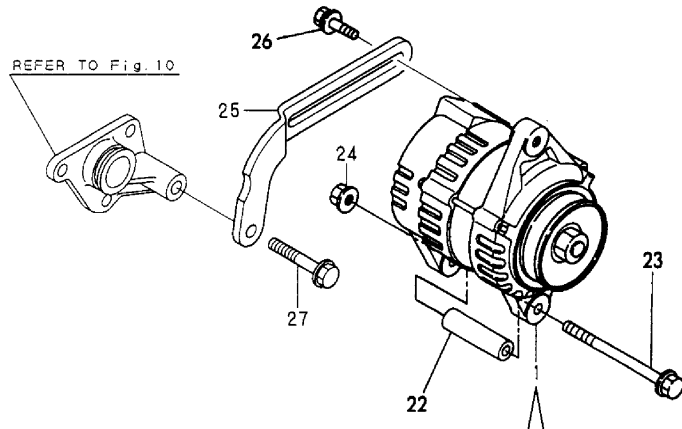
(D)=  
(E)=  
(F)=

No.	Lev.	Parts No.	Description	Q'ty						I	R
				(A)	(B)	(C)	(D)	(E)	(F)		
1	1	129400-77012	STARTER	1	1						
2	2	129486-77400	ARMATURE	1	1						
3	3	171008-77410	BEARING	1	1						
4	3	171008-77420	BEARING	1	1						
5	2	129400-77441	COIL ASSY, FIELD	1	1						
6	3	129486-77460	BRUSH	2	2						
7	2	129486-77470	HOLDER ASSY, BRUSH	1	1						
8	3	129486-77460	BRUSH	2	2						
9	3	129486-77490	SPRING	4	4						
10	2	129900-77460	COVER	1	1						
11	2	171008-77510	CASE, GEAR	1	1						
12	2	129400-77520	HOUSING	1	1						
13	2	129400-77531	SWITCH ASSY	1	1						
14	2	171008-77540	LEVER SET	1	1						
17	2	129400-77571	COVER ASSY, DUST	1	1						
18	2	129900-77640	BOLT, THROUGH	2	2						
19	2	171008-77650	PINION ASSY	1	1						
20	3	171008-77720	CLUTCH ASSY	1	1						
21	4	171008-77730	BEARING, BALL	1	1						
22	4	171008-77740	BEARING	1	1						
23	3	171008-77660	SHAFT	1	1						
24	3	171008-77670	STOPPER SET	1	1						
28	2	26106-060322	BOLT, M6X 32 PLATED	2	2						
29	2	26106-060402	BOLT, M6X 40 PLATED	3	3						
30	1	26116-120252	BOLT, M12X 25 PLATED	2	2						

# Fig.16. GENERATOR

Y0085973

Fig. 16 ジェネレータ GENERATOR



(A)=4TNE88-B1  
(B)=4TNE88-EB1  
(C)=

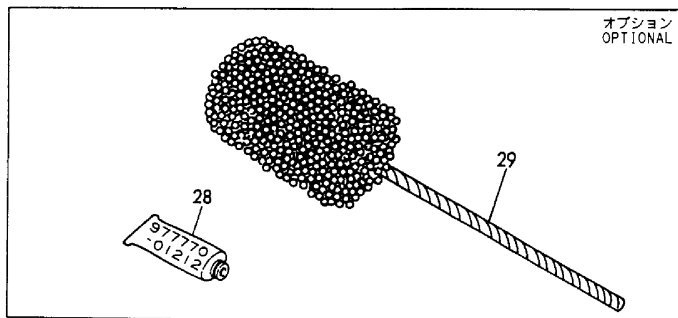
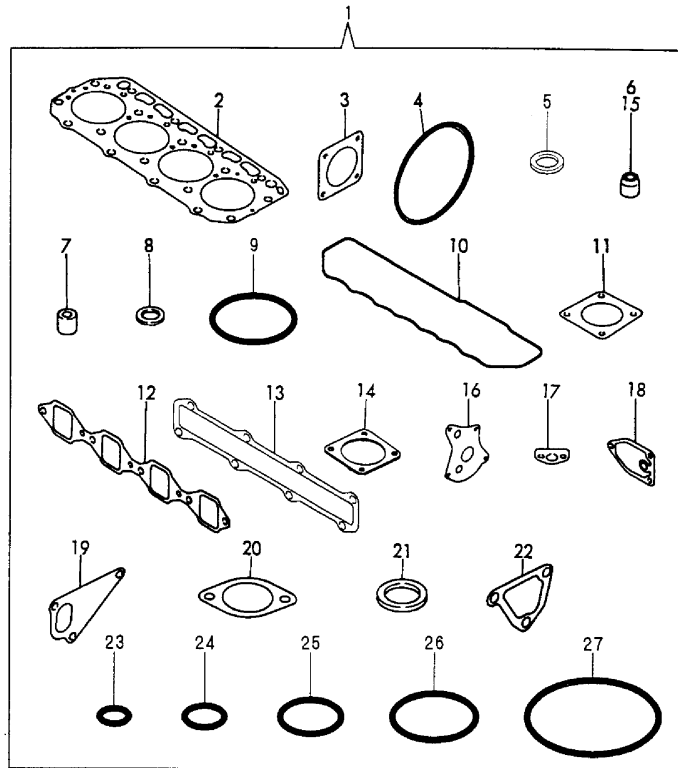
(D)=  
(E)=  
(F)=

No.	Lev.	Parts No.	Description	Q'ty						I	R
				(A)	(B)	(C)	(D)	(E)	(F)		
1	1	119836-77200	GENERATOR	1	1						
2	2	119836-77700	ROTOR ASSY	1	1						
3	3	119836-77850	BALL BEARING	1	1						
4	2	119836-77710	STATOR ASSY	1	1						
5	2	119836-77721	COVER ASSY, REAR	1	1						
6	3	119836-77730	COVER, REAR	1	1						
7	3	119836-77741	BRUSH ASSY,REGULATOR	1	1						
8	4	119836-77750	BRUSH ASSY	1	1						
9	3	119836-77760	GUIDE, FAN SIDE	1	1						
10	3	119836-77770	DIODE ASSY	1	1						
11	3	119836-77780	CONDENSER	1	1						
12	3	119836-77871	BOLT (1)	1	1						
13	3	119836-77880	BOLT (2)	1	1						
14	3	119836-77890	WIRE ASSY, LEAD	1	1						
15	2	119836-77790	COVER ASSY, FRONT	1	1						
16	3	119836-77800	RETAINER, BEARING	1	1						
17	3	119836-77840	BALL BEARING	1	1						
18	3	119836-77860	SCREW KID	1	1						
19	2	119836-77810	PULLEY	1	1						
20	2	119836-77820	NUT ASSY, PULLEY	1	1						
21	2	119836-77830	BOLT, THROUGH	1	1						
22	1	119820-77340	PIECE, DISTANCE	1	1						
23	1	129136-77250	BOLT M 8X105	1							
23-1	1	129136-77251	BOLT, M8X110	1	1						N
(A=E/#32452)											
24	1	26366-080002	NUT, M8	1							
24-1	1	129612-77260	NUT, ALTERNATOR	1	1						N
(A=E/#38932)											
25	1	129100-77320	ADJUSTER	1	1						
26	1	26014-080252	BOLT, M8X 25	1							
26-1	1	119810-77340	BOLT, ADJUSTER	1	1						N
(A=E/#32452)											
27	1	26106-080502	BOLT, M8X 50 PLATED	1	1						

Fig.17. GASKET SET(OPTIONAL) & TOOL

Y0085973

Fig. 17 パッキンセット (オプション) & 工具  
GASKET SET (OPTIONAL) & TOOL



(A)=4TNE88-B1  
(B)=4TNE88-EB1  
(C)=

(D)=  
(E)=  
(F)=

No.	Lev.	Parts No.	Description	Qty						I	R	
				(A)	(B)	(C)	(D)	(E)	(F)			
1	1	729430-92620	GASKET SET	1	1						1	
1-1	1	729430-92620 (B=E/# 45993)	GASKET SET		1						N	1
2	2	129407-01340	GASKET, HEAD	1	1							
3	2	124240-01883	GASKET	1	1							
4	2	121850-51960	O-RING	1	1							
5	2	124465-44950	GASKET, 16	2	2							
6	2	124460-11340	SEAL, VALVE STEM	4	4							
7	2	119625-11871	PROTECTOR, NOZZLE	4								
7-1	2	119625-11870 (A=E/#32452)	PROTECTOR, NOZZLE	4	4							N
8	2	119625-11880	SEAT, NOZZLE	4	4							
9	2	24311-000320	O-RING, 1AP32.0	2	2							
10	2	129550-11310	GASKET, BONNET	1	1							
11	2	129150-77511	GASKET	1	1							
12	2	129550-12111	GASKET, MANIFOLD	1	1							
13	2	129407-13110	GASKET	1	1							
14	2	129400-13201	GASKET, SILENCER	1	1							
15	2	121400-11340	SEAL, VALVE STEM	4	4							
16	2	129150-32020	GASKET, PUMP	1	1							
17	2	129150-35041	GASKET	1	1							
18	2	129150-35111	GASKET	1	1							
19	2	129100-42020	GASKET, WATER PUMP	1	1							
19A-1	2	129486-42021	GASKET, WATER PUMP	1								N
19B-1	2	129407-42020 (A=E/# 44930) (B=E/# 45993)	GASKET, WATER PUMP		1							R
20	2	129795-49551	GASKET	1	1							
21	2	129150-49811	GASKET, THERMOSTAT	1	1							
22	2	129100-49840	GASKET	1	1							
22A-1	2	124395-49840	GASKET	1								N
22B-1	2	129407-49840 (A=E/# 45625) (B=E/# 45993)	GASKET		1							R
23	2	24311-000120	O-RING, 1AP12.0	3	3							
24	2	24311-000160	O-RING, 1AP16.0	1	1							
25	2	24341-000240	O-RING, 1AS24.0	1	1							
26	2	24311-000320	O-RING, 1AP32.0	1	1							
27	2	24341-000500	O-RING, 1AS50.0	1	1							
28	1	977770-01212	GASKET, LIQUID	1	1							1
29	1	129400-92430	HONE	1	1							1

Remarks  
(1)OPTIONAL

## Parts No. Index

Parts No.	Fig. No.	Ref. No.
101304-59020	13	16
103854-39140	13	15
104200-55321	13	3
104200-55330	13	4
104200-55750	13	10
114250-39450	9	18 -1
114250-53080	12	5
114250-53120	12	9
114250-53130	12	10
114250-53140	12	11
114250-53210	12	12
114250-53400	12	13
119131-18320	6	10 -1
119233-77951	14	69
119256-44760	10	22
119600-61540	14	30 -1
119620-01750	3	3
119625-11870	4	17 -1
	17	7 -1
119625-11871	4	17
	17	7
119625-11880	4	18
	17	8
119625-11900	4	19
119640-01640	3	8
119660-61901	14	39
119810-77340	16	26 -1
119812-12200	5	1
119820-77340	16	22
119836-77200	16	1
119836-77700	16	2
119836-77710	16	4
119836-77721	16	5
119836-77730	16	6
119836-77741	16	7
119836-77750	16	8
119836-77760	16	9
119836-77770	16	10
119836-77780	16	11
119836-77790	16	15
119836-77800	16	16
119836-77810	16	19
119836-77820	16	20
119836-77830	16	21
119836-77840	16	17
119836-77850	16	3
119836-77860	16	18
119836-77871	16	12
119836-77880	16	13
119836-77890	16	14

Parts No.	Fig. No.	Ref. No.
119840-59500	13	26
119840-59570	13	27
119908-61500	14	24 -1
120130-11860	4	4
120323-61470	14	58 -1
121023-01550	2	24
121111-21501	8	8
121120-12531	5	4
121120-12541	5	5
121120-12561	5	6
121120-12571	5	7
121120-12901	5	8
121120-18901	5	8 -1
121250-44901	10	26
121250-59550	13	25
121400-11340	4	15
	17	15
121400-12540	5	9
121400-12560	5	10
121400-12570	5	11
121450-01560	2	5
121450-42450	10	25
121520-34810	9	16
121550-23200	8	32
121550-49111	10	24
121850-11860	10	1
121850-21680	8	9
121850-51960	2	11
	17	4
122117-51560	11	46
122710-51090	11	6
124066-59100	13	23
		23 -1
		26 B
124160-01751	2	6
	4	49
124160-01910	1	4
		5
124160-11360	4	50
124160-39140	9	33
124160-39450	9	18
124240-01871	2	7
124240-01883	2	8
	17	3
124395-49840	10	33 A-1
	17	22 A-1
124460-11340	4	16
	17	6
124465-44950	10	27
		28

Parts No.	Fig. No.	Ref. No.
124465-44950	17	5
124550-21600	8	14
124550-51350	11	28
124550-51370	11	29
124550-59830	9	34
124550-66370	14	41
124736-07900	4	38
124766-59050	13	19
		20 B
		22
		24 B
124950-51190	11	13
129001-02800	1	16
129001-22081	8	15
129001-22500	8	17
129001-22901	8	23
129001-22950	8	25
129001-35300	9	25
129001-42002	10	2
129001-42003	10	2 -1
129001-42040	10	16
129001-91840	2	22 -1
129001-91841	2	22 -2
129052-55620	13	1
129052-61010	14	2
129052-61050	14	3
129052-61060	14	4
129052-61070	14	5
129052-61390	14	23
129052-61500	14	24
129052-61540	14	29
129100-01580	3	1
		14
	8	4
129100-01640	3	15
129100-11100	4	10
129100-11110	4	11
129100-11650	4	30
129100-23910	8	35
129100-25061	7	9
129100-42020	10	14
	17	19
129100-49840	10	33
	17	22
129100-52100	11	90
129100-55650	13	5
129100-55670	13	6
129100-55680	13	7
129100-55690	13	8
129100-55700	13	9

Parts No.	Fig. No.	Ref. No.
129100-59951	13	29
129100-61400	14	16
129100-61440	14	57
129100-61650	14	67
129100-61930	14	71 A
129100-77320	16	25
129102-53000	12	2
129120-77501	5	21
129132-61550	14	59
129136-77250	16	23
129136-77251	16	23 -1
129150-01200	1	22
129150-01650	3	16
129150-02020	1	12
129150-02450	7	5
129150-02870	1	24
129150-02930	1	19
129150-02940	1	27
129150-03020	4	47
129150-03070	4	42
129150-03080	4	43
129150-03100	2	10
129150-11230	4	33
129150-11280	4	29
129150-11370	4	20
129150-11750	4	32
129150-11810	4	6
129150-14101	7	3
129150-14200	7	8
129150-14400	7	7
129150-21200	8	3
129150-23600	8	33
129150-23610	8	36
129150-25061	7	12
129150-25101	7	10
129150-25301	11	111
129150-25900	11	112
129150-25931	11	110
129150-32020	9	14
	17	16
129150-35041	9	19
	17	17
129150-35101	9	22
129150-35111	9	23
	17	18
129150-35151	9	24
129150-35350	9	26
129150-49811	10	32
	17	21
129150-59120	12	20

## Parts No. Index

Parts No.	Fig. No.	Ref. No.
129150-59131	12	23
129150-59580	13	28
129150-77511	5	22
	17	11
129155-11260	4	27
129155-11270	4	28
129155-49800	10	31
129155-51020	11	84
129155-51050	11	4
129155-51060	11	5
129155-51140	11	10
129155-51180	11	12
129155-51200	11	14
129155-51250	11	19
129155-51270	11	21
129155-51280	11	22
	14	1
129155-51320	11	26
129155-51340	11	27
129155-51370	11	30
129155-51380	11	31
129155-51390	11	32
129155-51410	11	34
129155-51420	11	87
129155-51450	11	35
129155-51521	11	42
129155-51530	11	43
129155-51540	11	44
129155-51550	11	45
129155-51570	11	48
129155-51580	11	49
129155-51591	11	50
129155-51600	11	51
129155-51790	11	74
129155-51930	11	76
129155-51940	11	77
129155-52050	11	89
129155-61120	14	6
129155-61130	14	7
129155-61140	14	8
129155-61201	14	9
129155-61202	14	9 A-1
129155-61341	14	13
129155-61350	14	14
129155-61360	14	15
129155-61430	14	19
129155-61450	14	20
129155-61460	14	21
129155-61470	14	58
129155-61480	14	22

Parts No.	Fig. No.	Ref. No.
129155-61540	14	30
129155-61590	14	63
129155-61830	14	38
129155-61950	14	40
129156-51910	11	75
129202-22300	8	21
129208-51060	11	5 A
129208-54500	11	106
129210-59040	13	18
129210-59150	13	20
		24
129350-49560	10	29
129400-01520	2	4
129400-01730	3	13
129400-11350	4	40
129400-13201	6	1
	17	14
129400-77012	15	1
129400-77441	15	5
129400-77520	15	12
129400-77531	15	13
129400-77571	15	17
129400-92430	17	29
129403-21590	8	12
129407-01340	1	23
	17	2
129407-11700	4	1
129407-13100	6	6
129407-13110	6	7
	17	13
129407-21000	8	1
129407-32000	9	1
129407-42020	10	14 B-1
	17	19 B-1
129407-49840	10	33 B-1
	17	22 B-1
129420-59910	12	24
129420-59920	12	28
129420-59930	12	32
129420-59940	12	36
129430-13500	6	2
129430-34800	9	17
129432-12520	5	2
129432-44740	10	21
129436-01780	3	6
129436-35091	9	20
129470-51040	11	3
129486-01670	3	18
129486-42021	10	14 A-1
	17	19 A-1

Parts No.	Fig. No.	Ref. No.
129486-42140	10	17 -1
129486-61201	14	9 B-1
129486-77400	15	2
129486-77460	15	6
		8
129486-77470	15	7
129486-77490	15	9
129488-12100	5	18
129489-61700	14	68
129500-11240	4	23
129505-51300	11	23
129506-51100	11	7
129550-11290	4	24
129550-11310	4	46
	17	10
129550-12111	5	19
	17	12
129550-39450	9	29
129555-51400	11	33
129555-51500	11	40
129555-51700	11	70
129555-51701	11	70 -1
129555-51710	11	71
129555-51750	11	72
129555-51751	11	72 -1
129555-51760	11	73
129556-42350	10	20
129612-77260	16	24 -1
129795-01780	3	17
129795-01800	2	3
129795-01950	2	9
129795-02411	1	13
129795-11120	4	12
129795-11180	4	13
129795-21661	8	10
129795-49551	10	30
	17	20
129900-77460	15	10
129900-77640	15	18
135210-61090	14	72
171008-77410	15	3
171008-77420	15	4
171008-77510	15	11
171008-77540	15	14
171008-77650	15	19
171008-77660	15	23
171008-77670	15	24
171008-77720	15	20
171008-77730	15	21
171008-77740	15	22

Parts No.	Fig. No.	Ref. No.
171031-11741	2	27
171051-01921	1	6
171301-21650	8	11
171350-03090	4	52
171350-13650	6	3
171350-13651	6	3 -1
171351-12560	5	13
171351-12570	5	14
171351-12580	5	12
171440-01600	3	2
172125-03950	5	8 A
174100-54120	11	20
174307-51170	11	11
174307-51560	11	47
174307-51700	14	25
194990-22050	6	4
		8
22117-040000	14	42
22190-060002	14	43
22190-060003	14	43 -1
22190-080002	2	12
		13
	9	35
		35 -1
		37
22190-100002	9	36 -1
	14	44
22190-120002	13	17
		21 -1
	14	45
22190-160002	11	88
22190-220002	3	9
22217-050000	11	83
22217-060000	11	78
22217-120000	11	108
		113
22252-000260	8	22
22272-000040	14	35
22287-120000	14	46
22351-040010	8	7
22351-050010	11	79
22351-060012	4	22
22372-040000	14	47
22451-060000	14	73
22512-070140	7	4
	8	5
23000-060000	5	15
23414-100000	9	36
23414-120000	13	21
23871-010000	1	7



## Parts No. Index

Parts No.	Fig. No.	Ref. No.
23871-010000	1	11
23871-020000	10	12
23871-030000	10	13
23876-010000	1	7 -1
23876-020000	10	12 -1
23876-030000	1	11 -1
	10	13 -1
23887-100002	14	48
24101-063034	11	80
24311-000120	4	51
	17	23
24311-000160	2	14
	9	27
	13	11
	17	24
24311-000320	2	15
		28
	4	48
	17	9
		26
24311-240100	13	12
24321-000300	10	17
24321-000650	13	13
24341-000160	11	81
24341-000240	2	25
	17	25
24341-000280	14	49
24341-000500	4	44
	17	27
25132-003700	10	19
26014-080202	6	5
26014-080252	16	26
26014-080702	13	14
26022-050102	11	85
26022-050122	11	85 -1
26022-060162	11	86
26106-060102	14	50
		51
		52
26106-060122	2	26
26106-060142	14	53
26106-060162	2	26 -1
26106-060202	14	54
26106-060322	15	28
26106-060402	15	29
26106-060602	10	23
26106-080122	2	16
26106-080142	4	39
	5	16
26106-080162	2	17

Parts No.	Fig. No.	Ref. No.
26106-080162	2	18
	3	12
	4	45
	7	6
	10	18
26106-080202	2	19
	9	28
	10	34
26106-080252	3	10
	4	36
26106-080352	3	19
	5	20
		23
	9	21
26106-080402	6	9
26106-080452	2	20
	3	11
		11 -1
	7	13
26106-080502	3	20
	4	37
	16	27
26106-080552	2	21
26106-080602	10	15
26106-080852	2	22
26116-050302	11	82
26116-120252	15	30
26206-100252	3	4
26206-100302	3	5
26216-060202	4	9
26216-080222	6	10
26216-080402	6	11
26226-080182	4	34
26366-060002	4	21
	5	17
26366-080002	2	23
	6	4 -1
		8 -1
	14	70
	16	24
26450-060252	9	15
26687-120002	14	71
26716-060002	11	41
26716-120002	11	109
		114
26756-060002	14	55
26756-080002	4	35
26776-120002	14	56
27231-500000	1	8
27241-100000	4	26

Parts No.	Fig. No.	Ref. No.
27241-120000	1	9
27241-300000	1	10
27241-400000	4	8
27310-080001	4	14
711100-51540	11	16
719810-01500	2	1
729102-53100	12	1
729402-14580	7	1
729402-23100	8	29
729407-01560	1	1
729430-51380	11	1
729430-51460	11	1 A
729430-92620	17	1
		1 -1
977770-01212	17	28

Parts No.	Fig. No.	Ref. No.
-----------	----------	----------