

0CB10-M59002EN

## Directions for the Parts Catalog.

1. This Parts Catalog shows both standard and optional parts.
2. Parts may change without prior notice.
3. The following is an example of the Parts Catalog format.

REF.	LEV.	PARTS NO.	DESCRIPTION	Q'TY						I	R
				(A)	(B)	(C)	(D)	(E)	(F)		
1	1	729595-51390	FUEL INJECTION PUMP	1	1	1	1	1			1
1-1	1	729595-51391	FUEL INJECTION PUMP	1	1	1	1	1		N	1
		(A=E00185) (B=E00200)									
3	2	26022-060162	SCREW M 6X 16	9	9	9	9	9			
3-1	2	26022-060162	SCREW M 6X 16	4	4	4	4	4		K	
		(A=E00156) (B=E00156) (C=E00156) (D=E00156) (E=E00156)									
4	2	129470-51040	CAMSHAFT	1	1	1	1	1			
5	2	122710-51050	BEARING, ROLLER	2	2	2	2	2			
6	2	129470-51060	RETAINER	1	1	1	1	1			

Remarks
(1) BOOST COMPEMSATOR TYPE. OPTIONAL PART, TO E00155,(4JH-DT, 4JH-DTZ

### ① Ref. No.

The Ref. No. listed may not be in accordance with the illustration Ref. No.

(Ex.) Illustration No.

List Ref No.

1

1

(Before change)

1-1

(After change)

For interchangeable symbols N, R and K, illustrations for new parts may be abbreviated.

### ② Lev. (Level)

Level indication

The numbers below indicate the level of relativity towards the main part.

1 ----- Main parts (Assembly parts)

2 ----- Sub component included in " 1 ".

3 ----- Sub component included in " 2 ".

Note) Parts that are not for sale are partially illustrated but not listed.

### ③ Interchangeability Symbol

When a part change takes place, one of the following interchangeability symbols is indicated beside the part.

Symbol	Interchangeability	Contents note
N	Old $\begin{matrix} \leftarrow \text{Yes} \\ \text{No} \rightarrow \end{matrix}$ New	New Part is interchangeable for Old Part but Old Part is not interchangeable for New Part.
Q	Old $\begin{matrix} \leftarrow \text{No} \\ \text{Yes} \rightarrow \end{matrix}$ New	New Part is not interchangeable for Old Part but Old Part is interchangeable for New Part.
R	Old $\begin{matrix} \leftarrow \text{Yes} \\ \text{Yes} \rightarrow \end{matrix}$ New	New/ Old Parts are both interchangeable.
S	Old $\begin{matrix} \leftarrow \text{No} \\ \text{No} \rightarrow \end{matrix}$ New	New/ Old Parts are both not interchangeable.
W		Part newly added.
Z		Part discontinued.
F		Not interchangeable by a single part but interchangeable together with related parts.
K		Changes only for used parts quantities.

### ④ Effective Machine No.

When a part changes, the effective Machine No. will be indicated in the (A)-(F) column.

Product Symbol	Product No.	Product Symbol	Product No.
C	Clutch No. Compressor No.	F	Machine No. (Agricultural Equip.)
D	Drive No.	M	Machine No.
E	Engine No.		

Note 1) A date may follow the symbol. (Ex.) 1996.01

Note 2) "XXXXX" and "ZZZZZ" are for parts that could not be predicted or for engine models that could not be identified.

Note 3) (A=E00185) is the E (Engine Serial Number) for the column (A) model (in this case 4JH-DT) after the parts design change.

### ⑤ Remarks

Figures or alphabets (symbols) are entered in the remarks column.

The comments (remarks) on parts that are indicated at the bottom of the illustration are the same symbols as those stated above.

# Contents

OCB10-M59002

Fig. No. Fig. Name

3TNE88-(E)B1

1. CYLINDER BLOCK
2. GEAR HOUSING
3. FLYWHEEL HOUSING & OIL SUMP
4. CYLINDER HEAD & BONNET
5. SUCTION MANIFOLD & AIR CLEANER
6. EXHAUST MANIFOLD & SILENCER
7. CAMSHAFT & DRIVE GEAR
8. CRANKSHAFT & PISTON
9. LUB. OIL SYSTEM
10. COOLING WATER SYSTEM
11. FUEL INJECTION PUMP
12. GOVERNOR
13. FUEL INJECTION PIPE
14. FUEL PIPE
15. STARTING MOTOR
16. GENERATOR
17. GASKET SET(OPTIONAL) & TOOL

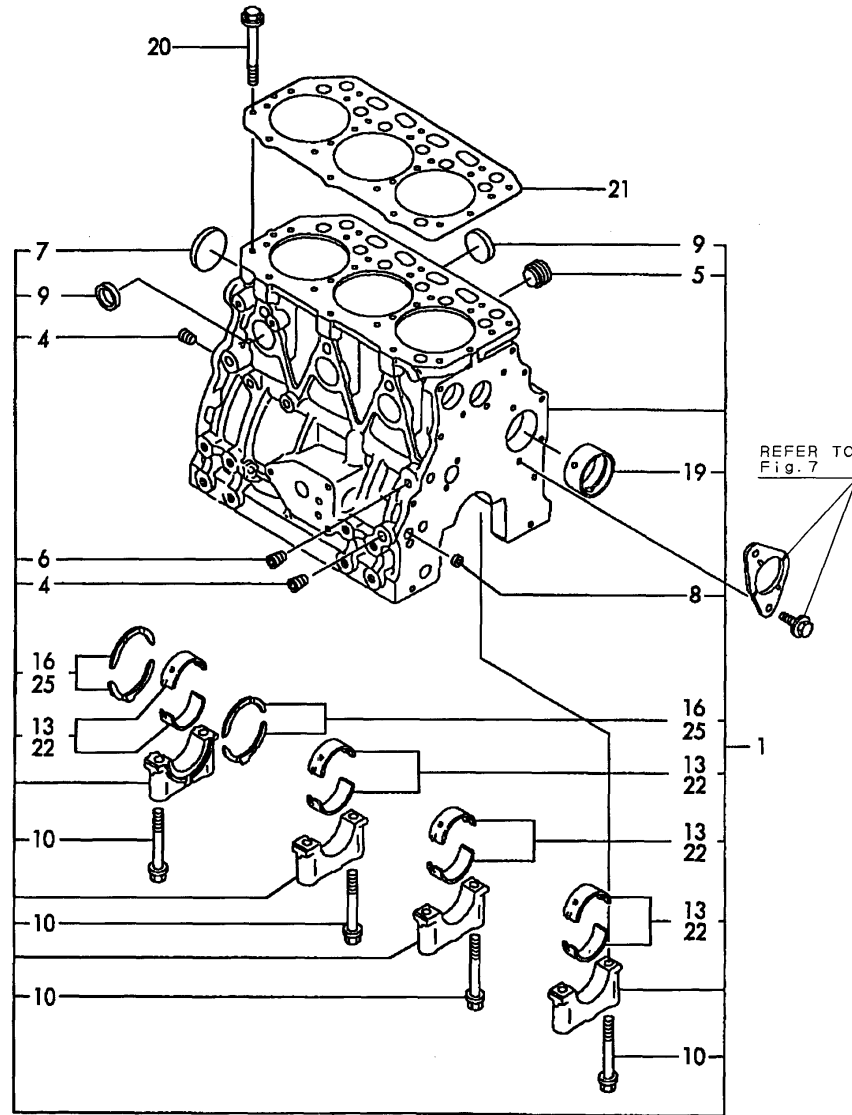
Fig. No. Fig. Name

Fig.1. CYLINDER BLOCK

(A)=3TNE88-B1  
(B)=3TNE88-EB1  
(C)=

(D)=  
(E)=  
(F)=

Fig. 1 シリンダブロック  
CYLINDER BLOCK



No.	Lev.	Parts No.	Description	Q'ty						I	R
				(A)	(B)	(C)	(D)	(E)	(F)		
1	1	729001-01560	BLOCK ASSY, CYLINDER	1	1						
4	2	124160-01910	PLUG, PT1/4	3	3						
5	2	171051-01921	PLUG, NPTF1	1	1						
6	2	23871-010000	PLUG, R01	1							
6-1	2	23876-010000	PLUG, R01	1	1						N
(A=E/# 21695)											
7	2	27231-500000	PLUG 50	1	1						
8	2	27241-120000	PLUG, 12	2	2						
9	2	27241-300000	PLUG 30	6	6						
10	2	129150-02020	BOLT, METAL CAP	8	8						
13	2	129001-02800	BEARING, MAIN	4	4						
16	2	129150-02930	BEARING, THRUST	2	2						
19	2	129795-02411	BUSH, CAMSHAFT	1	1						
20	1	129150-01200	BOLT, HEAD	14	14						
21	1	129001-01340	GASKET, HEAD	1	1						A
22	1	129150-02870	BEARING, 0.25 US	4							1
25	1	129150-02940	BEARING, THRUST 0.25	2	2						2

Remarks

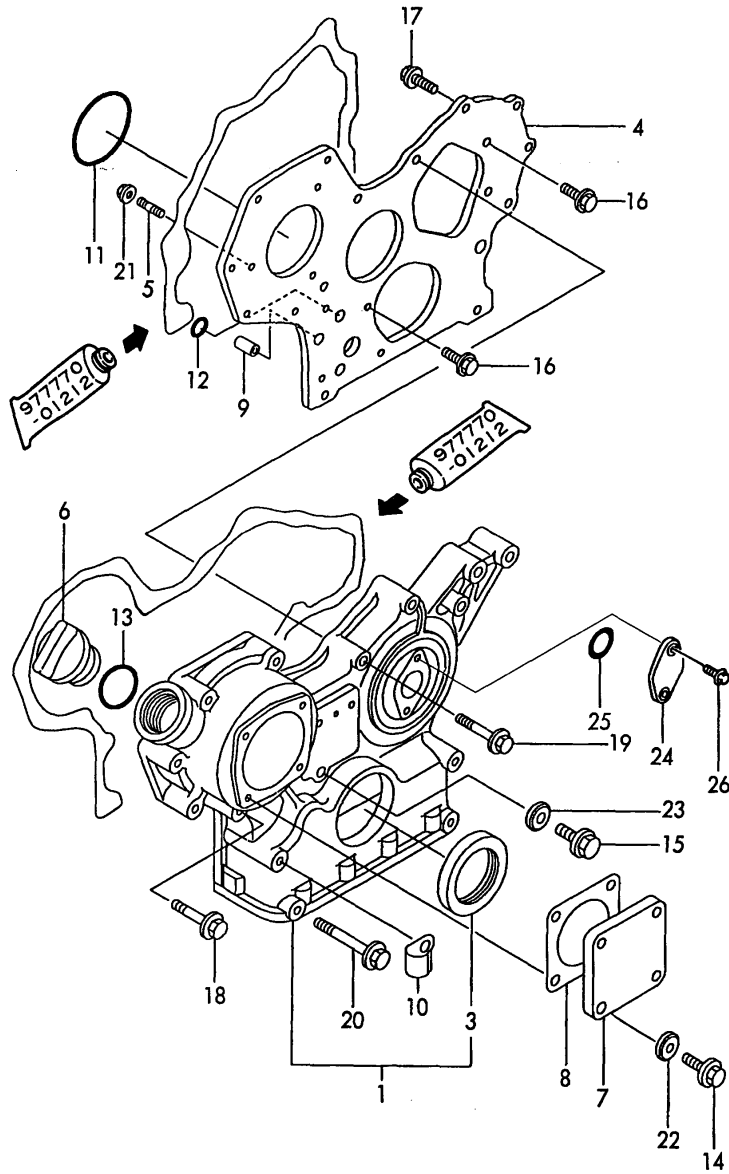
- (1) UNDER-SIZE(U.S=0.25)PART.
- (2) OVER-SIZE(O.S=0.25)PART.
- (A) THESE PART ARE ALSO SOLD BY FIG 17.REF NO.1 (GASKET SET.P/# 729030-92610).

Fig.2. GEAR HOUSING

(A)=3TNE88-B1  
(B)=3TNE88-EB1  
(C)=

(D)=  
(E)=  
(F)=

Fig.2 ギヤケース  
GEAR HOUSING



No.	Lev.	Parts No.	Description	Q'ty						I	R
				(A)	(B)	(C)	(D)	(E)	(F)		
1	1	719810-01500	CASE ASSY, GEAR	1	1						
3	2	129795-01800	SEAL, OIL	1	1						
4	1	129400-01520	FLANGE, GEAR CASE	1	1						
5	1	121450-01560	STUD, M8X22	3	3						
6	1	124160-01751	COVER, FILLER	1	1						
7	1	124240-01871	COVER	1	1						
8	1	124240-01883	GASKET	1	1						A
9	1	129795-01950	PIPE, KNOCK L=18	2	2						
10	1	129150-03100	RETAINER, PIPE	1	1						
11	1	121850-51960	O-RING	1	1						A
12	1	24311-000160	O-RING, 1AP16.0	2	2						
13	1	24311-000320	O-RING, 1AP32.0	1	1						A
14	1	26106-080122	BOLT, M8X 12 PLATED	4	4						
15	1	26106-080162	BOLT, M8X 16 PLATED	1	1						
16	1	26106-080162	BOLT, M8X 16 PLATED	3	3						
17	1	26106-080202	BOLT, M8X 20 PLATED	2	2						
18	1	26106-080452	BOLT, M8X 45 PLATED	6	6						
19	1	26106-080552	BOLT, M8X 55 PLATED	3	3						
20	1	26106-080852	BOLT, M8X 85 PLATED	4							
20-1	1	129001-91840	BOLT, M8X85	4	4						N
(A=E/#06523)											
21	1	26366-080002	NUT, M8	3	3						
22	1	22190-080002	WASHER, SEAL 6	4	4						
23	1	22190-080002	WASHER, SEAL 6	1	1						
24	1	121023-01550	COVER	1	1						W
(A=EXXX)											
25	1	24341-000240	O-RING, 1AS24.0	1	1						W
(A=EXXX)											
26	1	26106-060162	BOLT, M6X 16 PLATED	2	2						W
(A=EXXX)											

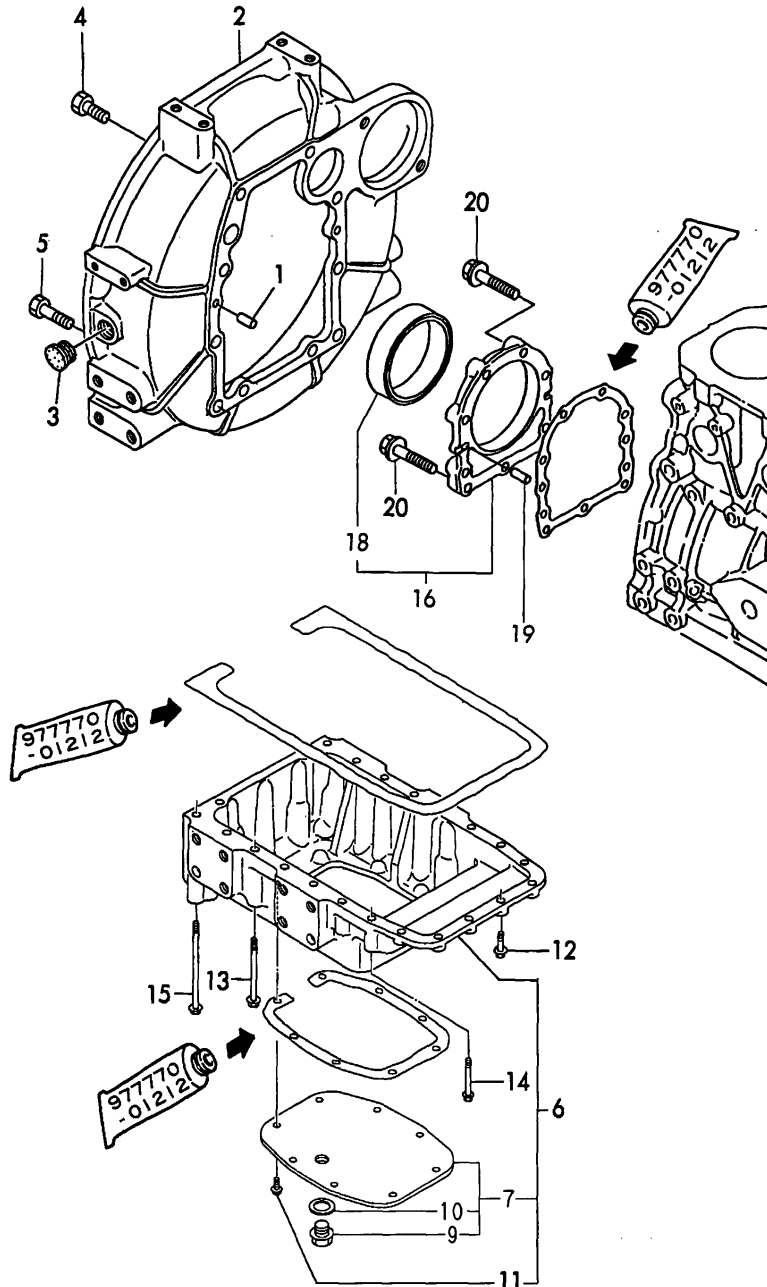
Remarks  
(A) THESE PART ARE ALSO SOLD BY  
FIG 17.REF NO.1  
(GASKET SET.P/# 729030-92610).

Fig.3. FLYWHEEL HOUSING & OIL SUMP

(A)=3TNE88-B1  
(B)=3TNE88-EB1  
(C)=

(D)=  
(E)=  
(F)=

Fig.3 フライホイールハウジング&オイルパン  
FLYWHEEL HOUSING & LUB.OIL SUMP



No.	Lev.	Parts No.	Description	Q'ty						I	R
				(A)	(B)	(C)	(D)	(E)	(F)		
1	1	129100-01580	PIN, M8X16	2	2						
2	1	171301-01600	HOUSING, FLYWHEEL	1							
2-1	1	129612-01600	HOUSING, FLYWHEEL	1	1						N
(A=FROM 1ST)											
3	1	119620-01750	CAP	1	1						
4	1	26206-100252	BOLT, M10X 25 PLATED	6	6						
5	1	26206-100302	BOLT, M10X 30 PLATED	4	4						
6	1	129129-01550	SUMP ASSY, OIL	1	1						
7	2	129129-01540	COVER ASSY, OIL SUMP	1	1						W
(A=E/# 21695)											
9	3	105425-01690	PLUG, 16	1	1						
10	2	22190-160002	WASHER, SEAL 16	1	1						
11	2	26106-080122	BOLT, M8X 12 PLATED	8	8						
12	1	26106-080252	BOLT, M8X 25 PLATED	6	6						
13	1	26106-080852	BOLT, M8X 85 PLATED	8							
13-1	1	129001-91840	BOLT, M8X85	8	8						N
(A=E/#06523)											
14	1	26106-080502	BOLT, M8X 50 PLATED	4	4						
15	1	26106-081202	BOLT, M8X120 PLATED	4							
15-1	1	129001-91910	BOLT, M8X120	4	4						N
(A=E/#06523)											
16	1	129100-01640	CASE ASSY, OIL SEAL	1	1						
18	2	129795-01780	SEAL, OIL	1	1						
19	1	129100-01580	PIN, M8X16	2	2						
20	1	129486-01670	BOLT, M8X30	9	9						

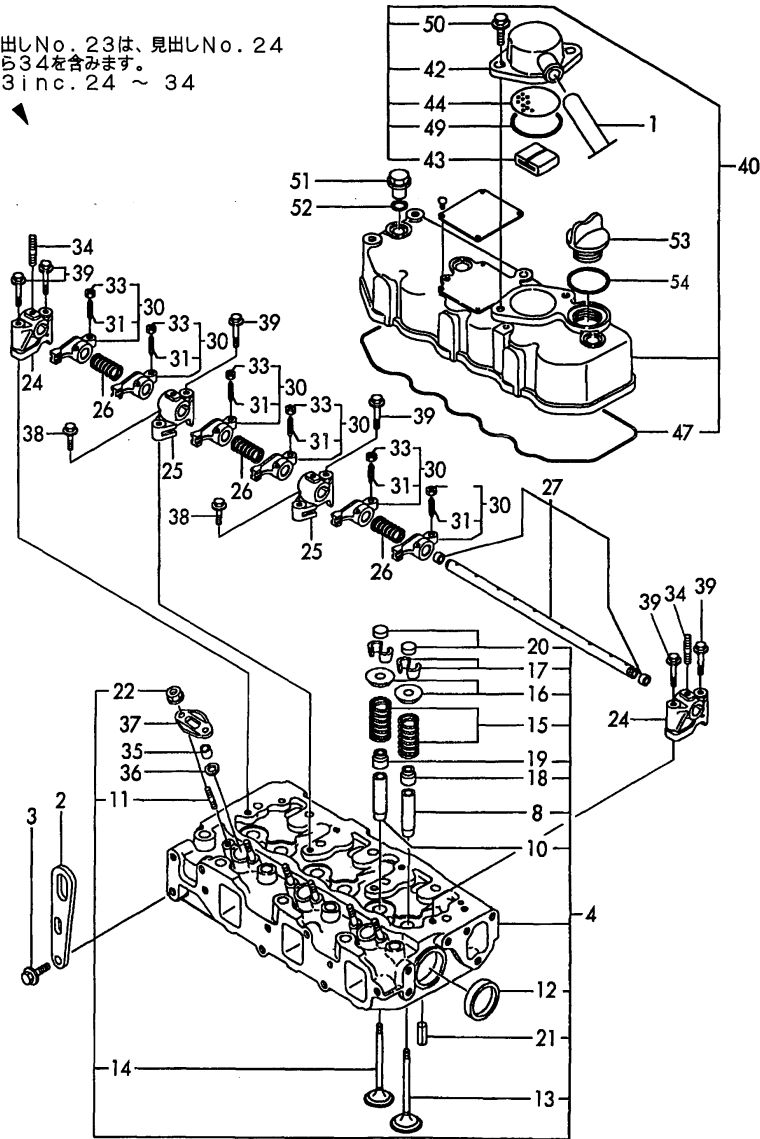
Fig.4. CYLINDER HEAD & BONNET

(A)=3TNE88-B1  
(B)=3TNE88-EB1  
(C)=

(D)=  
(E)=  
(F)=

Fig.4 シリンダヘッド&ボンネット  
CYLINDER HEAD & BONNET

見出しNo. 23は、見出しNo. 24  
から34を含みます。  
23 inc. 24 ~ 34



No.	Lev.	Parts No.	Description	Q'ty						I	R
				(A)	(B)	(C)	(D)	(E)	(F)		
1	1	119856-03090	PIPE , BREATHER	1	1						
2	1	124736-07900	LIFTER	2	2						
3	1	26106-080142	BOLT, M8X 14 PLATED	4	4						
4	1	729001-11700	HEAD ASSY, CYLINDER	1	1						
8	2	120130-11860	GUIDE, VALVE	3	3						1
10	2	129150-11810	GUIDE, VALVE	3	3						1
11	2	26216-060202	STUD, M6X 20	6	6						
12	2	27241-400000	PLUG, 40	2	2						
13	2	129100-11100	VALVE, INTAKE	3	3						
14	2	129100-11110	VALVE, EXHAUST	3	3						
15	2	129795-11120	SPRING, VALVE	6	6						
16	2	129795-11180	RETAINER, SPRING	6	6						
17	2	27310-080001	COTTER, 8	6	6						
18	2	121400-11340	SEAL, VALVE STEM	3	3						
19	2	124460-11340	SEAL, VALVE STEM	3	3						
20	2	129150-11370	CAP, VALVE	6	6						
21	2	22351-060012	PIN, SPRING 6.0X12	2	2						
22	2	26366-060002	NUT, M6	6	6						
23	1	129100-11240	SHAFT ASSY, ROCKER	1	1						
24	2	129155-11260	SUPPORT, ROCKER ARM	2	2						
25	2	129155-11270	SUPPORT, ROCKER ARM	2	2						
26	2	129150-11280	SPRING	3	3						
27	2	129150-11290	SHAFT, ROCKER ARM	1	1						
30	2	129100-11650	ARM, ROCKER	6	6						
31	3	129150-11230	SCREW, VALVE ADJUST	6	6						
33	3	129150-11750	NUT, M8	6	6						
34	2	26226-080182	STUD, M8X 18	3	3						
35	1	119625-11871	PROTECTOR, NOZZLE	3							
35-1	1	119625-11870	PROTECTOR, NOZZLE	3	3						N
(A=E/#06523)											
36	1	119625-11880	SEAT, NOZZLE	3	3						
37	1	119625-11900	RETAINER, NOZZLE	3	3						
38	1	26106-080252	BOLT, M8X 25 PLATED	2	2						
39	1	26106-080502	BOLT, M8X 50 PLATED	6	6						
40	1	129100-11350	BONNET ASSY, HEAD	1	1						
42	2	129150-03020	COVER, BREATHER	1	1						
43	2	129150-03070	BAFFLE, BREATHER	1	1						
44	2	129150-03080	PLATE, BAFFLE	1	1						
47	2	129150-11310	GASKET, BONNET	1	1						A
49	2	24341-000500	O-RING, 1AS50.0	1	1						A
50	2	26106-080162	BOLT, M8X 16 PLATED	2	2						
51	1	124160-11360	KNOB	3	3						
52	1	24311-000120	O-RING, 1AP12.0	3	3						A
53	1	124160-01751	COVER, FILLER	1	1						
54	1	24311-000320	O-RING, 1AP32.0	1	1						

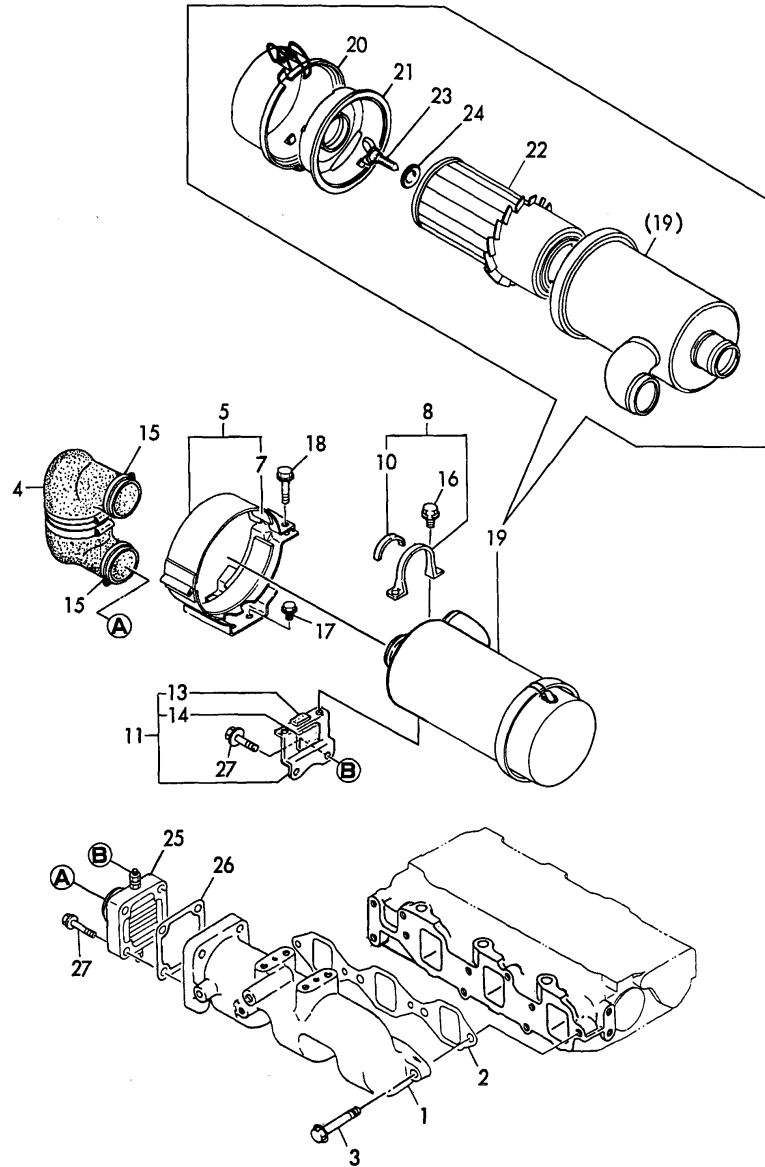
Remarks  
(1) REPAIR PART.  
(A) THESE PART ARE ALSO SOLD BY  
FIG 17.REF NO.1  
(GASKET SET.P/# 729030-92610).

Fig.5. SUCTION MANIFOLD & AIR CLEANER

(A)=3TNE88-B1  
(B)=3TNE88-EB1  
(C)=

(D)=  
(E)=  
(F)=

Fig.5 吸気マニホールド&エアクリーナ  
SUC.MANIFOLD & AIR CLEANER



No.	Lev.	Parts No.	Description	Q'ty						I	R
				(A)	(B)	(C)	(D)	(E)	(F)		
1	1	129122-12100	MANIFOLD, AIR INTAKE	1	1						
2	1	129150-12111	GASKET, MANIFOLD	1	1						A
3	1	26106-080252	BOLT, M8X 25 PLATED	4	4						
4	1	119812-12200	SILENCER	1	1						
5	1	129132-12581	SUPPORT ASSY,CLEANER	1	1						
7	2	129132-12570	SEAT, RUBBER	2	2						
8	1	129132-12800	BAND, AIR CLEANER	1	1						
10	2	129132-12860	SEAT, RUBBER	1	1						
11	1	129132-12810	SUPPORT, AIR CLEANER	1	1						
13	2	129132-12890	SEAT, RUBBER	1	1						
14	2	129132-12900	DAMPER	1	1						
15	1	23000-060000	CLAMP, 60	2	2						
16	1	26106-060142	BOLT, M6X 14 PLATED	2	2						
17	1	26106-080142	BOLT, M8X 14 PLATED	4	4						
18	1	26106-080252	BOLT, M8X 25 PLATED	2	2						
19	1	129030-12500	CLEANER ASSY, AIR	1	1						
20	2	121120-12531	PAN, DUST	1	1						
21	2	121120-12541	RETAINER, ELEMENT	1	1						
22	2	129150-12510	ELEMENT	1	1						
23	2	121120-12561	BOLT	1	1						
24	2	121120-12571	WASHER, SEAL	1	1						
25	1	129120-77501	HEATER	1	1						
26	1	129150-77511	GASKET	1	1						A
27	1	26106-080352	BOLT, M8X 35 PLATED	4	4						

Remarks  
(A) THESE PART ARE ALSO SOLD BY  
FIG 17.REF NO.1  
(GASKET SET.P/# 729030-92610).

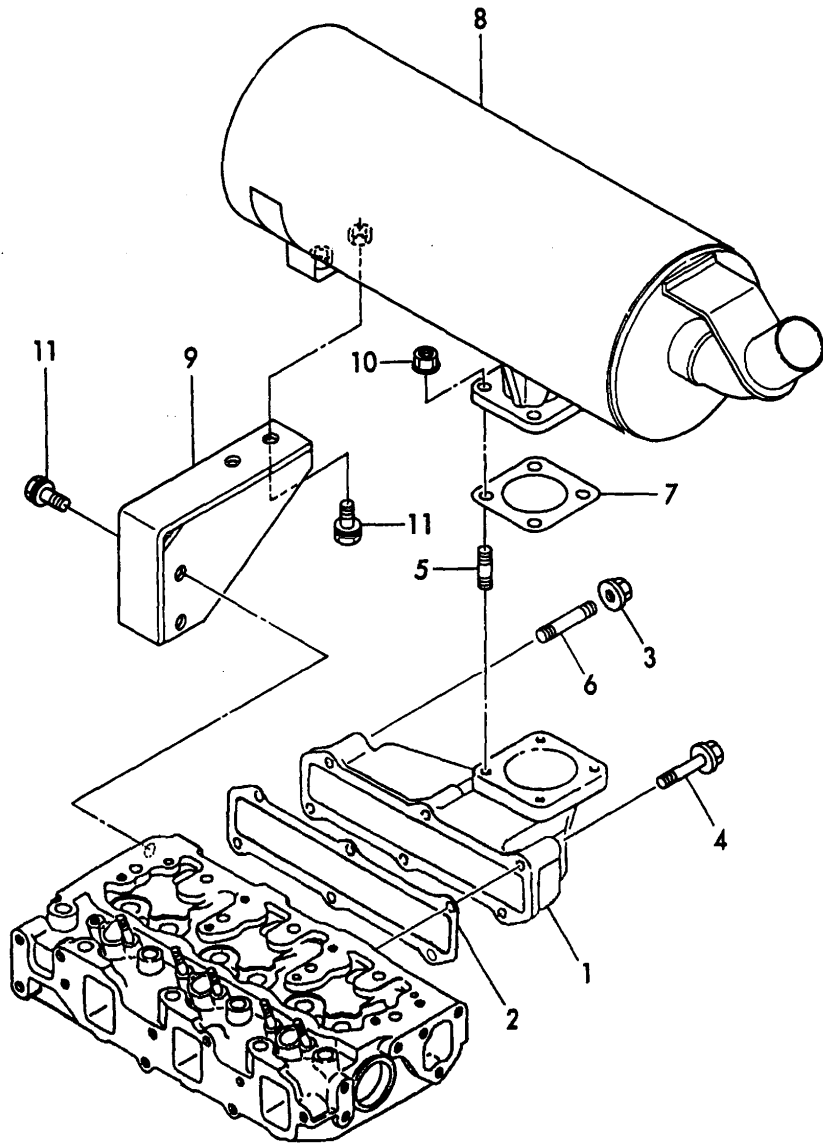


Fig.6. EXHAUST MANIFOLD & SILENCER

(A)=3TNE88-B1  
(B)=3TNE88-EB1  
(C)=

(D)=  
(E)=  
(F)=

Fig.6 排気マニホールド&サイレンサ  
EXH.MANIFOLD & SILENCER



No.	Lev.	Parts No.	Description	Q'ty						I	R
				(A)	(B)	(C)	(D)	(E)	(F)		
1	1	129001-13100	MANIFOLD, EXHAUST	1	1						
2	1	129001-13110	GASKET	1	1						A
3	1	194990-22050	NUT, M8	2							
3-1	1	26366-080002 (A=E/#17638)	NUT, M8	2	2						R
4	1	26106-080402	BOLT, M8X 40 PLATED	4	4						
5	1	26216-080222	STUD, M8X 22	4							
5-1	1	119131-18320 (A=E/#06523)	STUD, M8X22	4	4						N
6	1	26216-080402	STUD, M8X 40	2	2						
7	1	124701-11911	GASKET, SILENCER	1	1						A
8	1	129030-13500	SILENCER	1	1						
9	1	171350-13650	STAY, SILENCER	1							
9-1	1	171350-13651 (A=E/#06523)	STAY, SILENCER	1	1						N
10	1	194990-22050	NUT, M8	4							
10-1	1	26366-080002 (A=E/#17638)	NUT, M8	4	4						R
11	1	26014-080202	BOLT, M8X 20	4	4						

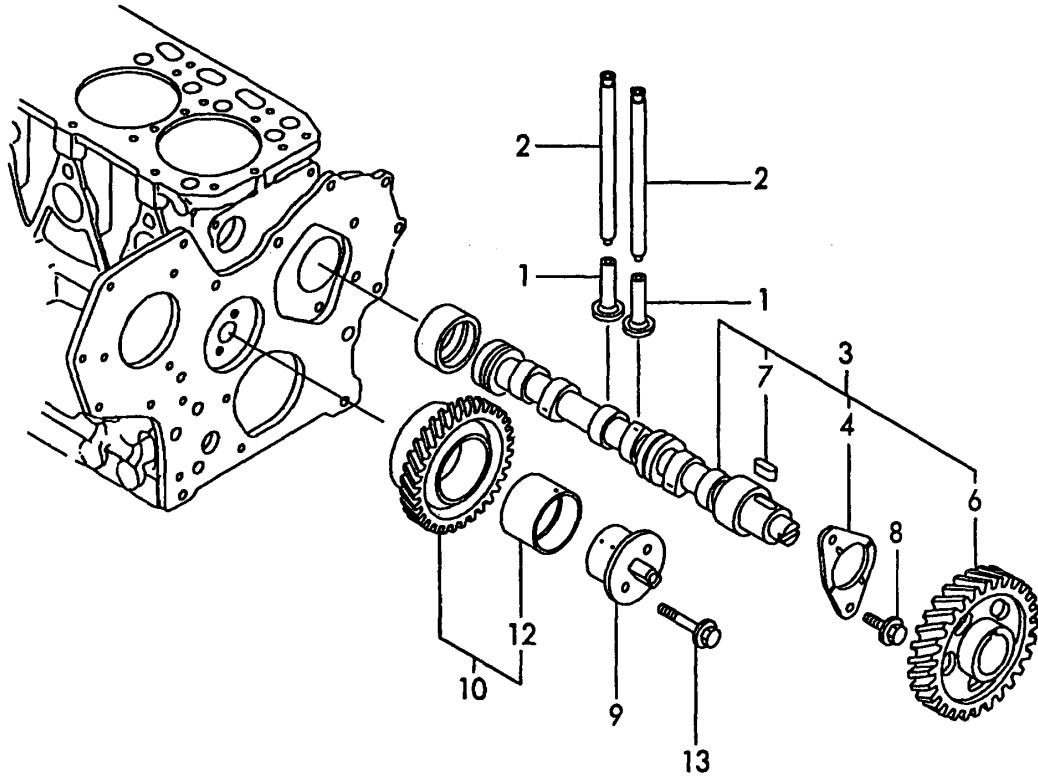
Remarks  
(A) THESE PART ARE ALSO SOLD BY  
FIG 17.REF NO.1  
(GASKET SET.P/# 729030-92610).

Fig.7. CAMSHAFT & DRIVE GEAR

(A)=3TNE88-B1  
(B)=3TNE88-EB1  
(C)=

(D)=  
(E)=  
(F)=

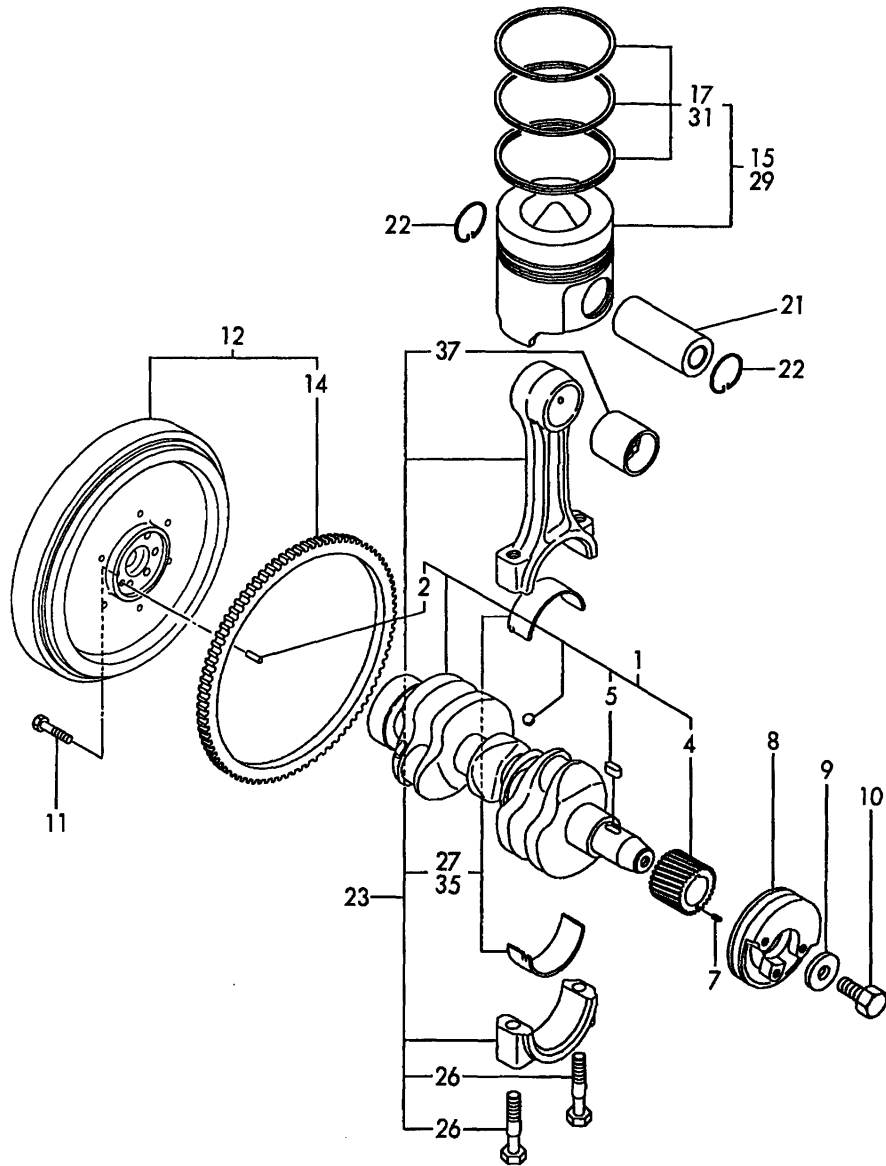
Fig. 7 カムシャフト & 駆動ギヤ  
CAMSHAFT & DRIVING GEAR



No.	Lev.	Parts No.	Description	Q'ty						I	R
				(A)	(B)	(C)	(D)	(E)	(F)		
1	1	129150-14200	TAPPET	6	6						
2	1	129150-14400	ROD, PUSH L=178	6	6						
3	1	129129-14580	CAMSHAFT ASSY	1	1						
4	2	129150-02450	BEARING, THRUST	1	1						
6	2	129150-14101	GEAR, CAMSHAFT	1	1						
7	2	22512-070140	KEY, 7X 14	1	1						
8	1	26106-080142	BOLT, M8X 14 PLATED	2	2						
9	1	129100-25061	SHAFT, IDLE	1	1						
10	1	129150-25101	GEAR ASSY, IDLE	1	1						
12	2	129150-25061	BUSH, IDLE GEAR	1	1						
13	1	26106-080452	BOLT, M8X 45 PLATED	2	2						

Fig.8. CRANKSHAFT & PISTON

Fig.8 クランクシャフト&ピストン  
CRANKSHAFT & PISTON



(A)=3TNE88-B1  
(B)=3TNE88-EB1  
(C)=

(D)=  
(E)=  
(F)=

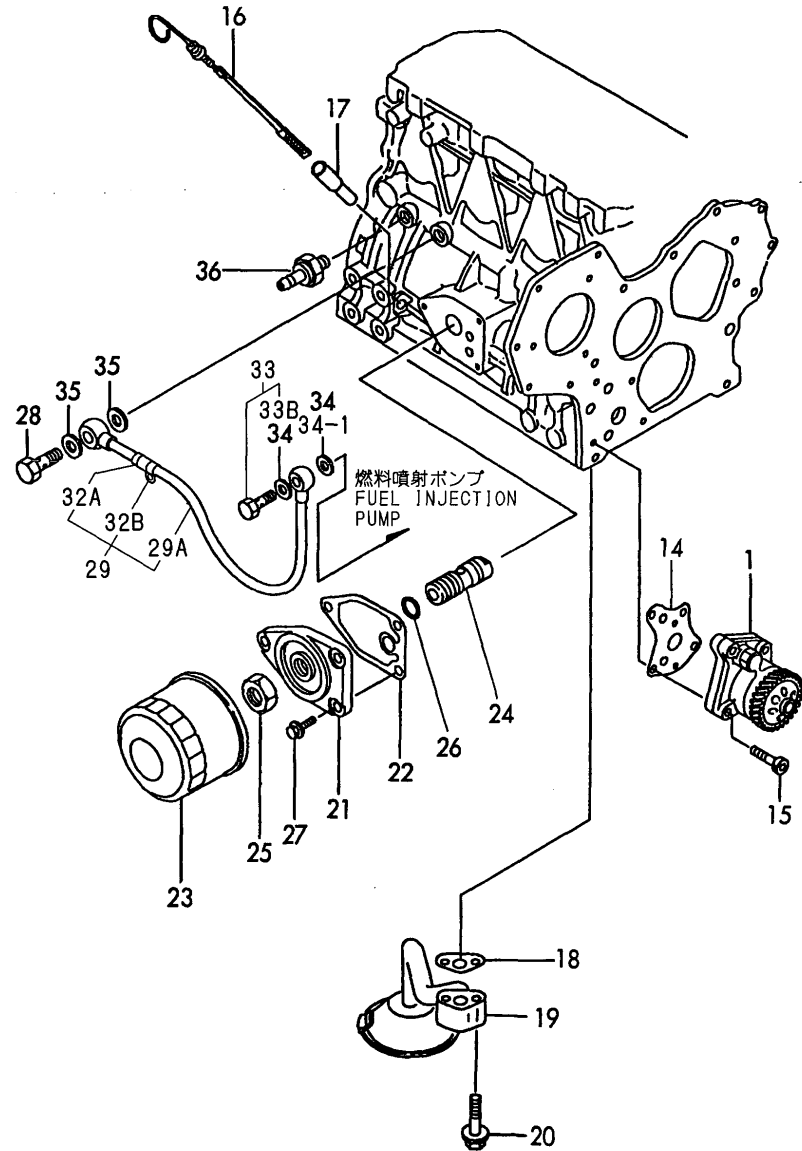
No.	Lev.	Parts No.	Description	Q'ty						I	R
				(A)	(B)	(C)	(D)	(E)	(F)		
1	1	129001-21000	CRANKSHAFT ASSY	1	1						
2	2	129100-01580	PIN, M8X16	1	1						
4	2	129150-21200	GEAR, CRANKSHAFT	1	1						
5	2	22512-070140	KEY, 7X 14	1	1						
7	1	22351-040010	PIN, SPRING 4.0X10	1	1						
8	1	171340-21650	V-PULLEY	1	1						
9	1	129795-21661	WASHER	1	1						
10	1	121850-21680	BOLT	1	1						
11	1	121111-21501	BOLT, FLYWHEEL	6	6						
12	1	129128-21590	FLYWHEEL ASSY	1	1						
14	2	119865-21600	GEAR, RING	1	1						
15	1	129001-22081	PISTON ASSY	3	3						
17	2	129001-22500	RING SET, PISTON	3	3						
21	1	129202-22300	PIN, PISTON D26 L70	3	3						
22	1	22252-000260	RING, 26	6	6						
23	1	729402-23100	ROD ASSY, CONNECTING	3	3						
26	2	121550-23200	BOLT, CONNECTING ROD	6	6						
27	2	129150-23600	BEARING, CRANK PIN	3	3						
29	1	129001-22900	PISTON ASSY, 0.25 OS	3							1
29-1	1	129001-22901 (A=FROM 1ST)	PISTON ASSY, 0.25 OS	3	3						N 1
31	2	129001-22950	RING SET, 0.25 OS	3	3						1
35	1	129150-23610	BEARING, 0.25 US	3	3						2
37	1	129100-23910	BEARING, PISTON PIN	3	3						3

Remarks

- (1) OVER-SIZE(O.S=0.25)PART.
- (2) UNDER-SIZE(U.S=0.25)PART.
- (3) REPAIR PART.

Fig.9. LUB. OIL SYSTEM

Fig.9 潤滑油システム  
LUB.OIL SYSTEM



(A)=3TNE88-B1  
(B)=3TNE88-EB1  
(C)=

(D)=  
(E)=  
(F)=

No.	Lev.	Parts No.	Description	Q'ty						I	R
				(A)	(B)	(C)	(D)	(E)	(F)		
1	1	129001-32001	PUMP ASSY, OIL	1	1						
14	1	129150-32020	GASKET, PUMP	1	1						A
15	1	26450-060252	BOLT, M6X 25	4	4						
16	1	129132-34800	DIPSTICK, OIL	1	1						
17	1	121520-34810	GUIDE, DIPSTICK	1	1						
18	1	129150-35041	GASKET	1	1						A
19	1	129150-35091	PIPE ASSY, OIL INLET	1	1						
20	1	26106-080352	BOLT, M8X 35 PLATED	2	2						
21	1	129150-35101	BRACKET, STRAINER	1	1						
22	1	129150-35111	GASKET	1	1						A
23	1	129150-35151	FILTER, D80XL80	1	1						
24	1	129001-35300	BOLT, FILTER	1	1						
25	1	129150-35350	NUT	1	1						
26	1	24311-000160	O-RING, 1AP16.0	1	1						
27	1	26106-080202	BOLT, M8X 20 PLATED	3	3						
28	1	124160-39140	BOLT, PIPE JOINT M10	1	1						
29	1	129211-39450	PIPE ASSY, FUEL	1	1						W
(A=E/#06523)											
29A	2	129150-39450	PIPE ASSY, OIL	1	1						
32A	2	123658-39320	HOSE, RUBBER	1	1						W
(A=E/#06523)											
32B	2	23297-080081	CLAMP, A8X 8	1	1						W
(A=E/#06523)											
33	1	124550-59830	BOLT ASSY, JOINT M8	1	1						W
(A=E/#21694)											
33B	2	22190-080003	WASHER, SEAL 8	1	1						W
(A=E/#21694)											
34	1	23414-080000	GASKET, 8X1.0	2							
34-1	1	22190-080003	WASHER, SEAL 8	1	1						N
(A=E/#21694)											
35	1	23414-100000	GASKET, 10X1.0	2	2						
36	1	124160-39450	SWITCH, 0.5KG	1	1						

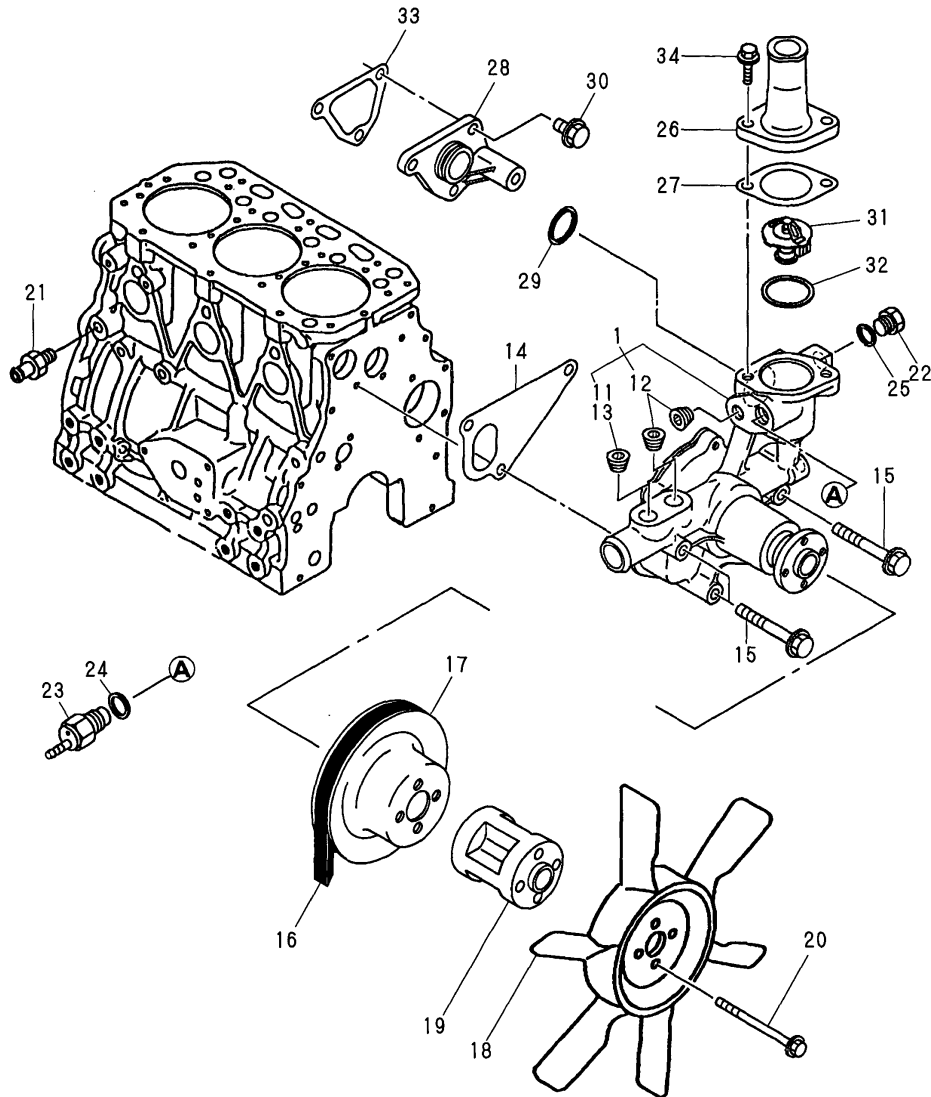
Remarks  
(A) THESE PART ARE ALSO SOLD BY  
FIG 17.REF NO.1  
(GASKET SET.P/# 729030-92610).

Fig.10. COOLING WATER SYSTEM

(A)=3TNE88-B1  
(B)=3TNE88-EB1  
(C)=

(D)=  
(E)=  
(F)=

Fig. 10 冷却水システム  
COOLING WATER SYSTEM



No.	Lev.	Parts No.	Description	Q'ty						I	R
				(A)	(B)	(C)	(D)	(E)	(F)		
1	1	129001-42002	PUMP ASSY, WATER	1							
1-1	1	129001-42003	PUMP ASSY, WATER	1	1						N
(A=E/# 21695)											
11	2	23871-020000	PLUG, R02	1							
11-1	2	23876-020000	PLUG, R02	1	1						N
(A=E/# 21695)											
12	2	23871-030000	PLUG, R03	2							
12-1	2	23876-030000	PLUG, R03	2	2						N
(A=E/# 21695)											
13	1	121850-11860	PLUG, PT1/4	1							Z
(A=E/XXX)											
14	1	129100-42020	GASKET, WATER PUMP	1	1						A
15	1	26106-080602	BOLT, M8X 60 PLATED	3	3						
16	1	25132-003800	V-BELT, A38	1	1						
16A	1	25132-003700	V-BELT, A37	1	1						1
17	1	129403-42380	V-PULLEY, D=110	1	1						
17A	1	129155-42350	V-PULLEY	1	1						1
18	1	171340-44740	FAN, COOLING D335XNF	1	1						
19	1	129030-44760	SPACER, FAN L38.5	1	1						
20	1	26106-060502	BOLT, M6X 50 PLATED	4	4						
21	1	121550-49111	JOINT, PT1/4	1	1						
22	1	121450-42450	PLUG, M16	1	1						
23	1	121250-44901	SWITCH, 110	1	1						
24	1	124465-44950	GASKET, 16	1	1						A
25	1	124465-44950	GASKET, 16	1	1						A
26	1	129350-49560	COVER, THERMOSTAT	1	1						
27	1	129795-49551	GASKET	1	1						A
28	1	129001-42040	JOINT	1	1						
29	1	24321-000300	O-RING, 1AG30.0	1							
29-1	1	129486-42140	O-RING, G30	1	1						N
(A=E/# 21695)											
30	1	26106-080162	BOLT, M8X 16 PLATED	3	3						
31	1	129155-49800	THERMOSTAT, 71	1	1						
32	1	129150-49811	GASKET, THERMOSTAT	1	1						A
33	1	129100-49840	GASKET	1	1						A
34	1	26106-080202	BOLT, M8X 20 PLATED	2	2						

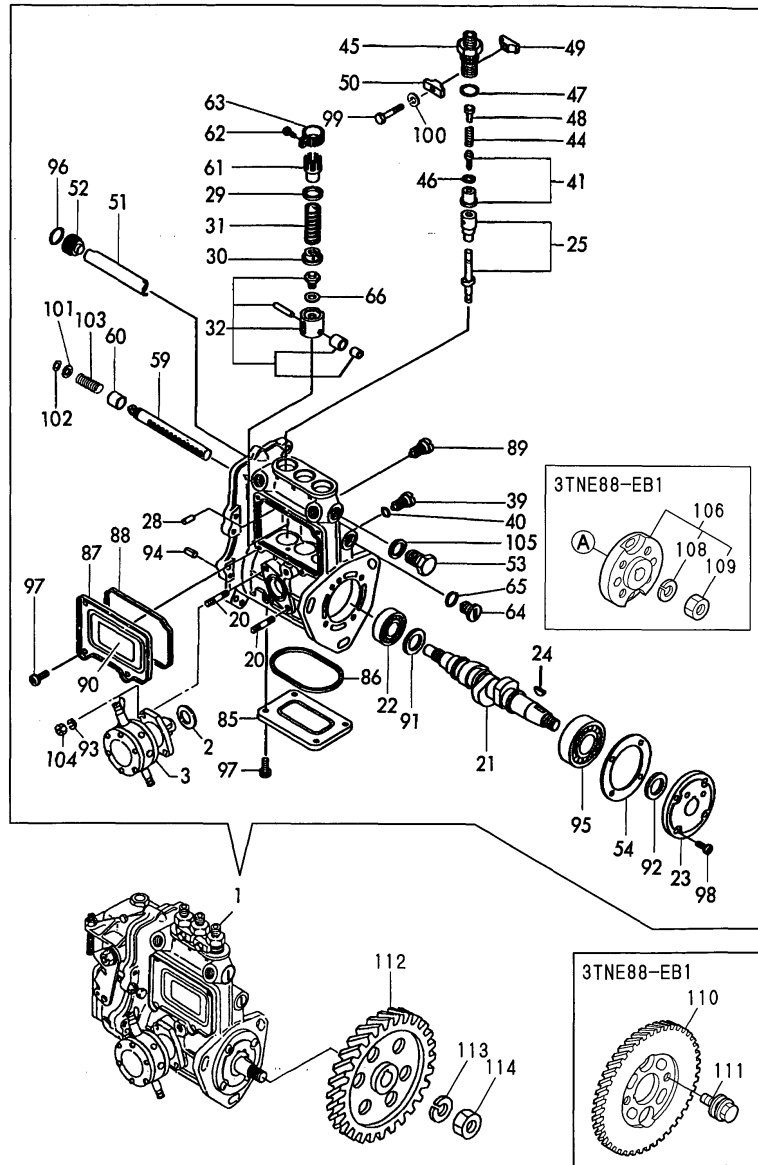
Remarks  
(A) THESE PART ARE ALSO SOLD BY  
FIG 17.REF NO.1  
(GASKET SET.P/# 729030-92610).  
(1) PARTS USED FOR 3TNE88-B1P(ENGINE  
MOUNTED FOR B37-2B EXPORTED TO  
PANAMA).

Fig.11. FUEL INJECTION PUMP

(A)=3TNE88-B1  
(B)=3TNE88-EB1  
(C)=

(D)=  
(E)=  
(F)=

Fig. 11 燃料噴射ポンプ  
FUEL INJECTION PUMP



No.	Lev.	Parts No.	Description	Qty						I	R
				(A)	(B)	(C)	(D)	(E)	(F)		
1	1	729030-51380	PUMP ASSY, INJECTION	1							1
1A	1	729030-51450	PUMP ASSY, INJECTION		1						1
2	2	129155-52050	GASKET	1	1						
3	2	129100-52100	PUMP ASSY, FUEL FEED	1	1						
20	2	129155-51020	STUD	2	2						
21	2	119810-51040	CAMSHAFT	1	1						
22	2	129155-51050	BEARING, 17BM001D	1	1						
23	2	129155-51060	SUPPORT, CAMSHAFT	1							
23A	2	129208-51060	SUPPORT		1						
24	2	122710-51090	KEY	1	1						
25	2	129506-51100	PLUNGER ASSY	3	3						
28	2	129155-51140	PIN	3	3						
29	2	174307-51170	RETAINER, SPRING A	3	3						
30	2	129155-51180	RETAINER, SPRING	3	3						
31	2	124950-51190	SPRING, PLUNGER	3	3						
32	2	129155-51200	TAPPET ASSY	3	3						
39	2	129155-51270	STOPPER, TAPPET	3	3						
40	2	129155-51280	O-RING, S6	3	3						
41	2	129505-51300	VALVE ASSY, DELIVERY	3	3						
44	2	129155-51320	SPRING, DELIVERY	3	3						
45	2	129155-51340	RETAINER	3	3						
46	2	124550-51350	GASKET, DELIVERY	3	3						
47	2	124550-51370	O-RING	3	3						
48	2	129155-51370	STOPPER, VALVE	3	3						
49	2	129155-51380	STOPPER	2	2						
50	2	129155-51390	STOPPER	2	2						
51	2	129155-51400	DEFLECTOR	1	1						
52	2	129155-51410	BOLT	1	1						
53	2	129155-51420	PLUG, M16	1	1						
54	2	129155-51450	SHIM SET, ADJUSTING	1	1						
59	2	129155-51500	RACK, CONTROL	1	1						
60	2	129155-51521	BUSH, RACK	1	1						
61	2	129155-51550	PINION, CONTROL	3	3						
62	2	122117-51560	SCREW	3	3						
63	2	174307-51560	PINION	3	3						
64	2	129155-51570	PLUG, M12	1	1						
65	2	129155-51580	O-RING	1	1						
66	2	129155-51600	SHIM SET, ADJUSTING	3	3						
85	2	129155-51700	COVER	1	1						
86	2	129155-51710	GASKET	1	1						
87	2	129155-51750	COVER	1	1						
88	2	129155-51760	GASKET	1	1						
89	2	129155-51790	STOPPER, RACK	1	1						
90	2	129156-51910	LABEL, CAUTION	1	1						
91	2	129155-51930	SPACER, T=3.25	1	1						
92	2	129155-51940	SPACER, T=1.5	1	1						
93	2	22217-060000	WASHER, SPRING 6	2	2						
94	2	22351-050010	PIN, SPRING 5.0X10	2	2						
95	2	24101-063034	BEARING, BALL 6303	1	1						
96	2	24341-000160	O-RING, 1AS16.0	1	1						
97	2	26022-050102	SCREW, M5X10	8	8						

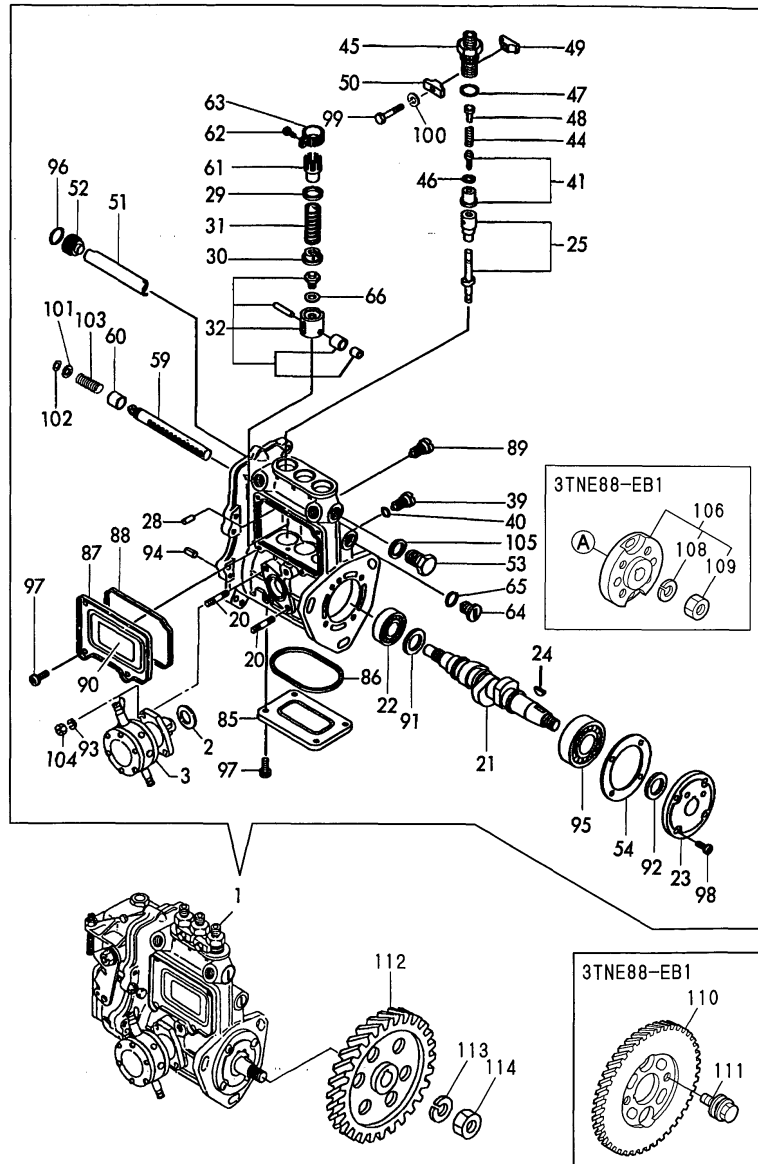
Remarks  
(1) GOVERNOR ASSY(FIG.NO.12) IS  
INCORPORATED IN THIS FOP CMP  
(REF.NO.1).

Fig.11. FUEL INJECTION PUMP

(A)=3TNE88-B1  
(B)=3TNE88-EB1  
(C)=

(D)=  
(E)=  
(F)=

Fig. 11 燃料噴射ポンプ  
FUEL INJECTION PUMP



No.	Lev.	Parts No.	Description	Q'ty						I	R
				(A)	(B)	(C)	(D)	(E)	(F)		
98	2	26022-060162	SCREW, M6X16	4	4						
99	2	26116-050302	BOLT, M5X 30 PLATED	2	2						
100	2	22217-050000	WASHER, SPRING 5	2	2						
101	2	129155-51530	SPACER	1	1						
102	2	129155-51540	CIRCLIP	1	1						
103	2	129155-51591	SPRING, RACK	1	1						
104	2	26716-060002	NUT, M6	2	2						
105	2	22190-160002	WASHER, SEAL 16	1	1						
106	2	129208-54500	FLANGE ASSY		1						
108	3	22217-120000	WASHER, SPRING 12		1						
109	3	26716-120002	NUT, M12		1						
110	1	129150-25931	GEAR, PUMP		1						
111	1	129150-25301	BOLT		4						
112	1	129150-25900	GEAR, PUMP		1						
113	1	22217-120000	WASHER, SPRING 12		1						
114	1	26716-120002	NUT, M12		1						

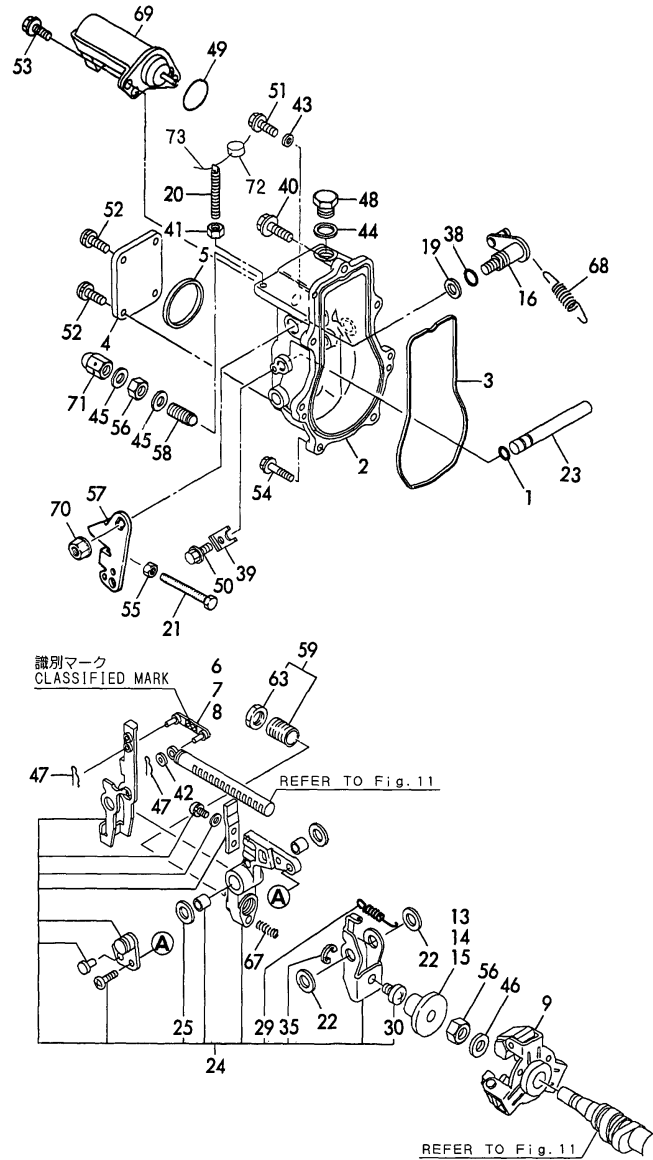
Remarks  
(1) GOVERNOR ASSY(FIG.NO.12) IS  
INCORPORATED IN THIS FOP CMP  
(REF.NO.1).

Fig.12. GOVERNOR

(A)=3TNE88-B1  
(B)=3TNE88-EB1  
(C)=

(D)=  
(E)=  
(F)=

Fig. 12 ガバナ GOVERNOR



No.	Lev.	Parts No.	Description	Qty						I	R
				(A)	(B)	(C)	(D)	(E)	(F)		
1	2	129155-51280	O-RING, S6	1	1						
2	2	129052-61010	CASE, GOVERNOR	1	1						
3	2	129052-61050	GASKET	1	1						
4	2	129052-61060	COVER, GOVERNOR CASE	1	1						
5	2	129052-61070	GASKET	1	1						
6	2	129155-61120	LINK, L=30 MARK 0	1	1						1
7	2	129155-61130	LINK, L=31 MARK 1	1	1						1
8	2	129155-61140	LINK, L=30.5 MARK 05	1	1						1
9	2	129155-61201	WEIGHT ASSY, GOVERNOR	1	1						
13	2	129155-61341	SLEEVE	1	1						2
14	2	129155-61350	SLEEVE, L=24.9	1	1						2
15	2	129155-61360	SLEEVE, L=25.2	1	1						2
16	2	129100-61400	SHAFT ASSY	1	1						
19	2	129155-61430	SPACER	1	1						
20	2	129155-61450	BOLT, LIMITER	1	1						
21	2	129155-61460	BOLT, IDLE	1	1						
22	2	129155-61480	SPACER ASSY	2	2						
23	2	129052-61390	SHAFT	1	1						
24	2	129052-61500	LEVER ASSY, GOVERNOR	1	1						
25	3	174307-51700	SHIM SET	2	2						
29	3	129052-61540	SPRING, SET	1	1						
30	3	129155-61540	SHIFTER	1	1						
35	3	22272-000040	RING, E- 4	1	1						
38	2	129155-61830	O-RING, S10	1	1						
39	2	119660-61901	RETAINER, SHAFT	1	1						
40	2	129155-61950	BOLT	1	1						
41	2	124550-66370	NUT, M6	1	1						
42	2	22117-040000	WASHER, 4	1	1						
43	2	22190-060002	WASHER, SEAL 6	1							
43-1	2	22190-060003	SEAL WASER 6	1	1						R
(A=E/# 21695)											
44	2	22190-100002	WASHER, SEAL 10	1	1						
45	2	22190-120002	WASHER, SEAL 12	2	2						
46	2	22287-120000	WASHER, 12	1	1						
47	2	22372-040000	PIN, SNAP 4	2	2						
48	2	23887-100002	PLUG, 10	1	1						
49	2	24341-000280	O-RING, 1AS28.0	1	1						
50	2	26106-060102	BOLT, M6X 10 PLATED	1	1						
51	2	26106-060102	BOLT, M6X 10 PLATED	1	1						
52	2	26106-060102	BOLT, M6X 10 PLATED	4	4						
53	2	26106-060142	BOLT, M6X 14 PLATED	2	2						
54	2	26106-060202	BOLT, M6X 20 PLATED	6	6						
55	2	26756-060002	NUT, LOCK M6	1	1						
56	2	26776-120002	NUT, LOCK M12	2	2						
57	1	129100-61440	LEVER, CONTROL	1	1						
58	1	129155-61470	BOLT, CONTROL	1	1						
59	1	129132-61550	ANGLEICH ASSY	1	1						
63	2	129155-61590	NUT, LOCK	1	1						
67	1	129100-61650	SPRING, CONTROLLER	1	1						
68	1	129489-61700	SPRING, GOVERNOR	1	1						
69	1	119233-77951	SOLENOID	1	1						

Remarks

- (1) SELECTIVE PARTS : CERTAIN THE CLASSIFICATION MARK, THEN PLACE YOUR ORDER. (ILLUSTRATION)
- (2) SELECTIVE PART.

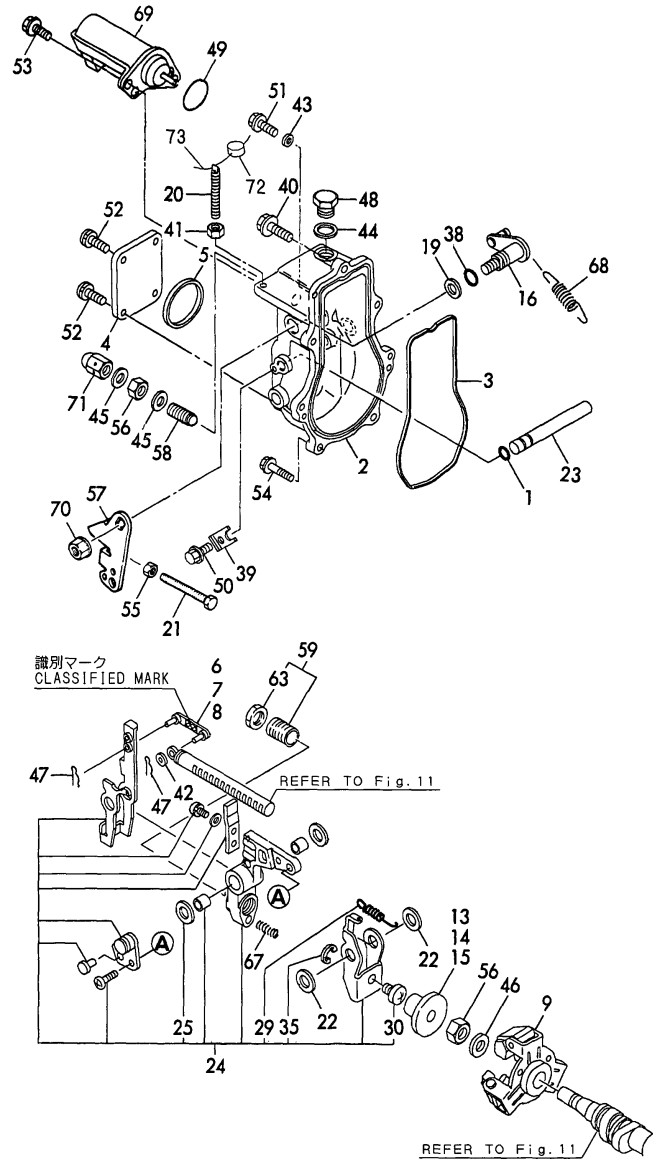


Fig.12. GOVERNOR

(A)=3TNE88-B1  
(B)=3TNE88-EB1  
(C)=

(D)=  
(E)=  
(F)=

Fig. 12 ガバナ GOVERNOR



No.	Lev.	Parts No.	Description	Q'ty						I	R
				(A)	(B)	(C)	(D)	(E)	(F)		
70	1	26366-080002	NUT, M8	1	1						
71	1	26687-120002	NUT, CAP M12	1							
71A	1	129100-61930	NUT, CAP		1						
72	1	135210-61090	LEAD		1						
73	1	22451-060000	WIRE, 0.6		1						

Remarks

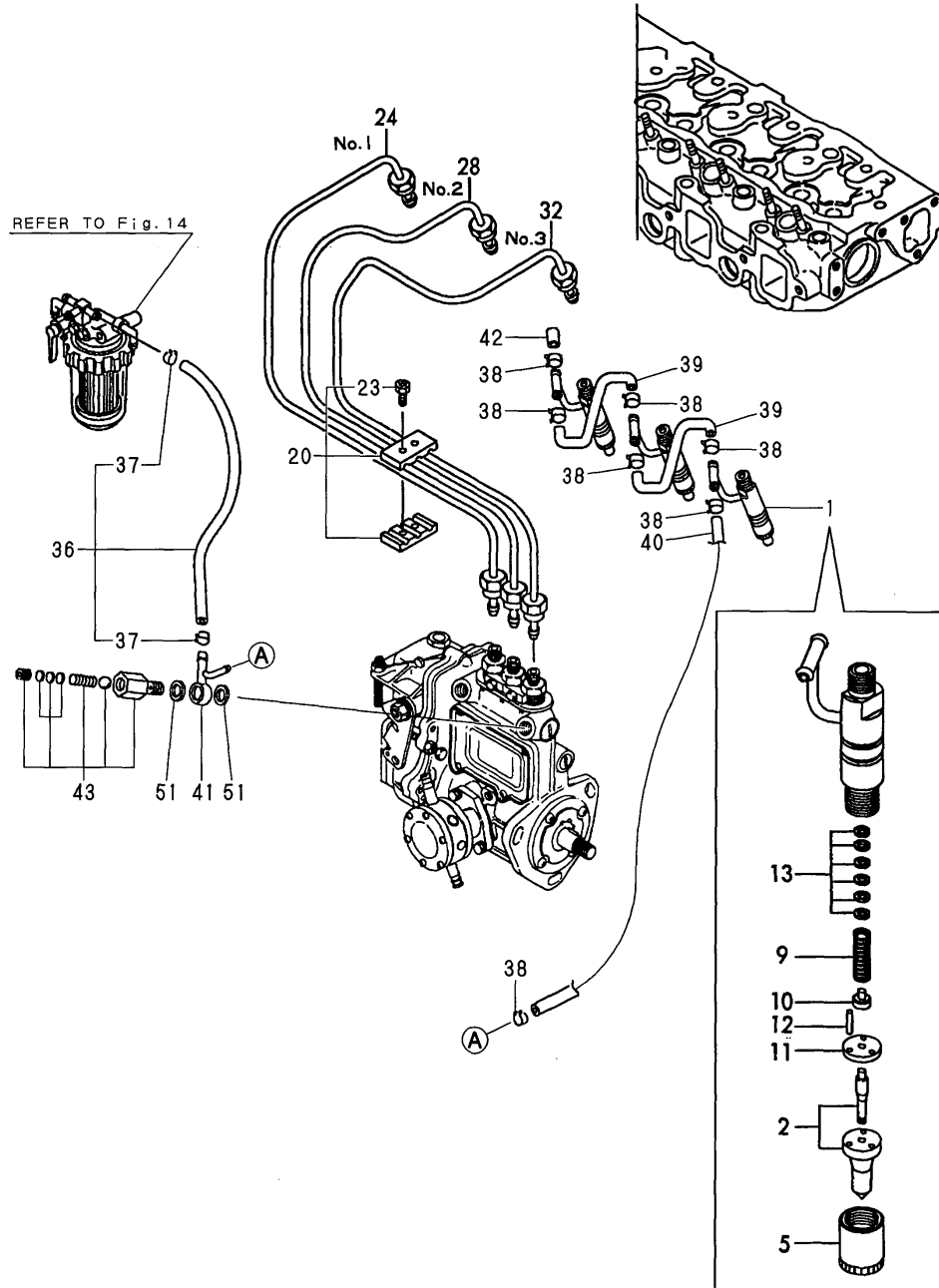
- (1) SELECTIVE PARTS : CERTAIN THE CLASSIFICATION MARK, THEN PLACE YOUR ORDER. (ILLUSTRATION)
- (2) SELECTIVE PART.

Fig.13. FUEL INJECTION PIPE

(A)=3TNE88-B1  
(B)=3TNE88-EB1  
(C)=

(D)=  
(E)=  
(F)=

Fig. 13 燃料噴射パイプ  
FUEL INJECTION PIPE



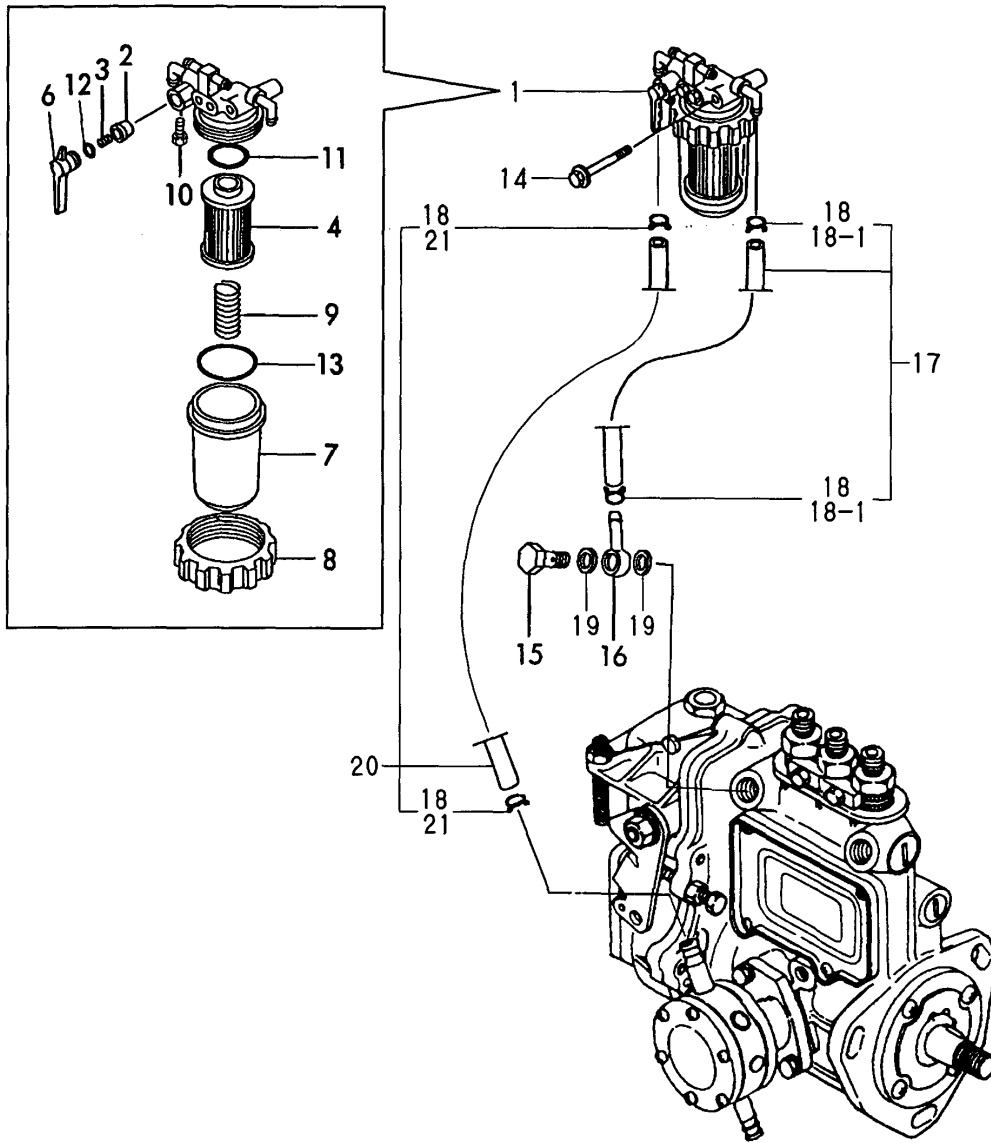
No.	Lev.	Parts No.	Description	Q'ty						I	R
				(A)	(B)	(C)	(D)	(E)	(F)		
1	1	729102-53100	VALVE ASSY,INJECTION	1	1						
2	2	129102-53000	VALVE ASSY,INJECTION	3	3						
5	2	114250-53080	NUT, NOZZLE D16.95	3	3						
9	2	114250-53120	SPRING, NOZZLE	3	3						
10	2	114250-53130	SEAT, SPRING	3	3						
11	2	114250-53140	PLATE	3	3						
12	2	114250-53210	PIN	6	6						
13	2	114250-53400	SHIM SET	3	3						
20	1	129150-59120	RETAINER, PIPE	1	1						
23	2	129150-59131	BOLT, M4X14	2	2						
24	1	129211-59910	PIPE ASSY, INJECTION	1	1						
28	1	129211-59920	PIPE ASSY, INJECTION	1	1						
32	1	129211-59930	PIPE ASSY, INJECTION	1	1						
36	1	129210-59130	PIPE ASSY, FUEL	1	1						W
(A=E/#17866)											
37	2	124766-59050	CLIP, HOSE 12	2	2						
38	1	124066-59100	CLIP, HOSE 8	7	7						
39	1	121250-59550	PIPE, FUEL D8X120	2	2						
40	1	119840-59560	PIPE, FUEL RETURN	1	1						
41	1	119840-59570	JOINT	1	1						
42	1	129150-59580	CAP	1	1						
43	1	129100-59951	VALVE ASSY, CHECK	1	1						
51	1	23414-120000	GASKET, 12X1.0	2							
51-1	1	22190-120002	WASHER, SEAL 12	2	2						N
(A=E/# 21695)											

Fig.14. FUEL PIPE

(A)=3TNE88-B1  
(B)=3TNE88-EB1  
(C)=

(D)=  
(E)=  
(F)=

Fig. 14 燃料パイプ  
FUEL PIPE

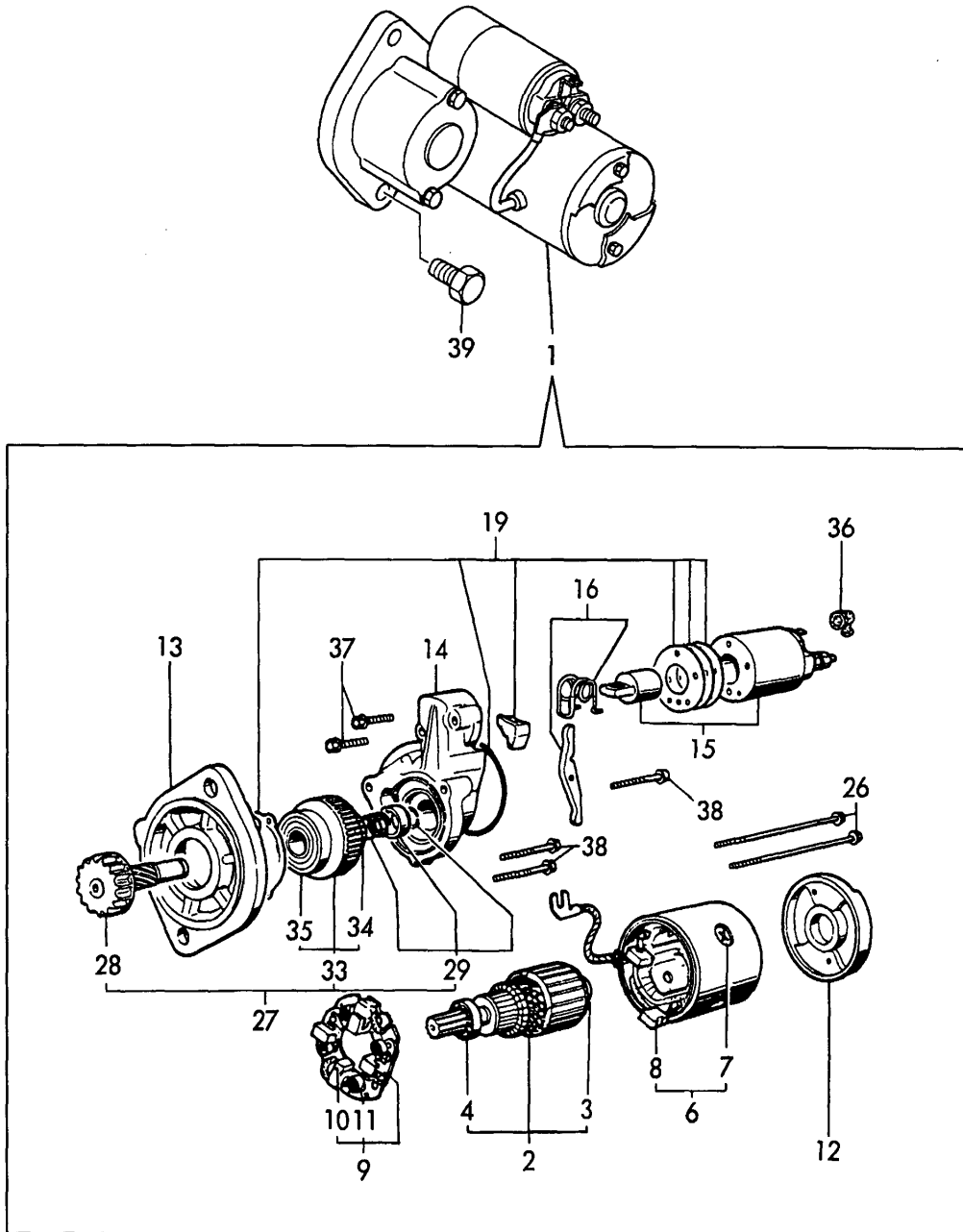


No.	Lev.	Parts No.	Description	Q'ty						I	R
				(A)	(B)	(C)	(D)	(E)	(F)		
1	1	129052-55620	FILTER ASSY, FUEL	1	1						
2	2	104200-55321	VALVE, TAPER	1	1						
3	2	104200-55330	SPRING, VALVE	1	1						
4	2	129100-55650	ELEMENT	1	1						
6	2	129100-55670	LEVER	1	1						
7	2	129100-55680	CUP, STRAINER	1	1						
8	2	129100-55690	RING, RETAINING	1	1						
9	2	129100-55700	SPRING	1	1						
10	2	104200-55750	SCREW, M4	1	1						
11	2	24311-000160	O-RING, 1AP16.0	1	1						
12	2	24311-240100	O-RING, 1AP10A	1	1						
13	2	24321-000650	O-RING, 1AG65.0	1	1						A
14	1	26014-080702	BOLT, M8X 70	1	1						
15	1	103854-39140	BOLT, PIPE JOINT	1	1						
16	1	101304-59020	JOINT, PIPE 12	1	1						
17	1	129210-59040	PIPE ASSY, FUEL	1	1						W
		(A=E/#17866)									
18	2	124766-59050	CLIP, HOSE 12	4							
18-1	2	124766-59050	CLIP, HOSE 12	2	2						K
		(A=E/#17866)									
19	1	22190-120002	WASHER, SEAL 12	2	2						
20	1	129210-59150	PIPE ASSY, FUEL	1	1						W
		(A=E/#17866)									
21	2	124766-59050	CLIP, HOSE 12	2	2						W
		(A=E/#17866)									

Remarks  
(A) THESE PART ARE ALSO SOLD BY  
FIG 17.REF NO.1  
(GASKET SET.P/# 729030-92610).

Fig.15. STARTING MOTOR

Fig. 15 スターティングモータ  
STARTING MOTOR



(A)=3TNE88-B1  
(B)=3TNE88-EB1  
(C)=

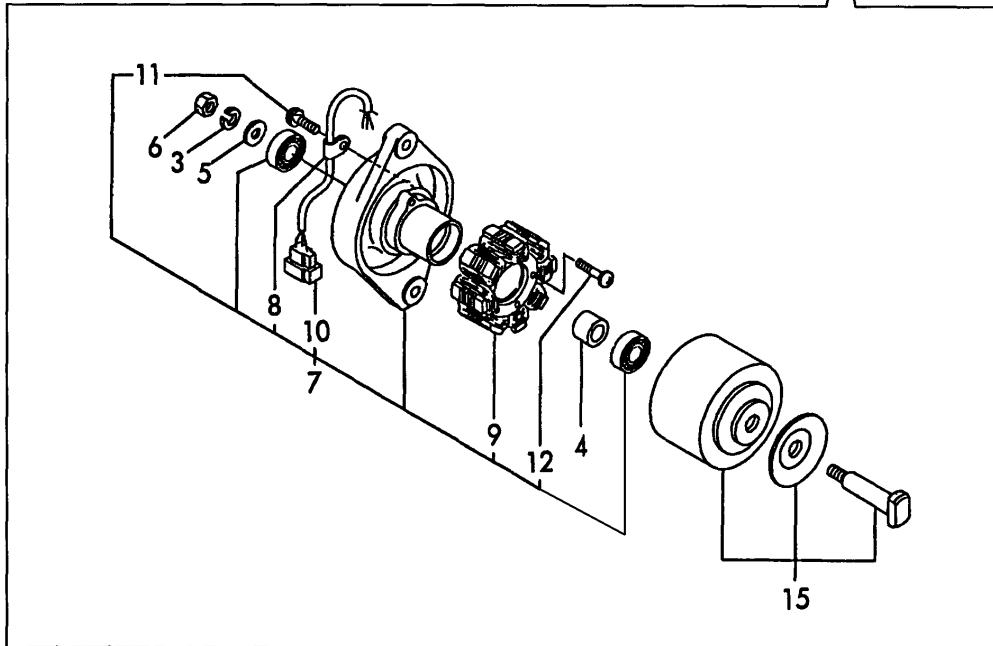
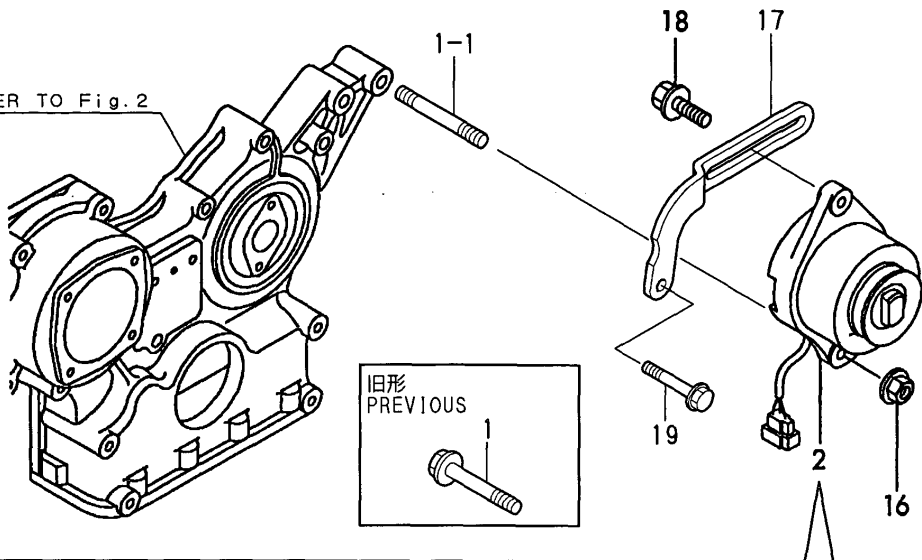
(D)=  
(E)=  
(F)=

No.	Lev.	Parts No.	Description	Q'ty						I	R
				(A)	(B)	(C)	(D)	(E)	(F)		
1	1	171008-77010	STARTER, S114-483	1	1						
2	2	171008-77400	ARMATURE ASSY	1	1						
3	3	171008-77410	BEARING	1	1						
4	3	171008-77420	BEARING	1	1						
6	2	171008-77440	COIL ASSY, FIELD	1	1						
7	3	171008-77450	SCREW	4	4						
8	3	171008-77460	BRUSH (+)	2	2						
9	2	171008-77470	HOLDER ASSY, BRUSH	1	1						
10	3	171008-77480	BRUSH (-)	2	2						
11	3	171008-77490	SPRING, BRUSH	4	4						
12	2	171008-77500	COVER, REAR	1	1						
13	2	171008-77510	CASE, GEAR	1	1						
14	2	171008-77520	HOUSING, CENTER	1	1						
15	2	171008-77530	SWITCH, MAGNETIC	1							
15-1	2	171008-77531	MAGNETIC SWITCH ASSY	1	1						R
(A=E/#06523)											
16	2	171008-77540	LEVER SET	1	1						
19	2	171008-77571	COVER KIT, DUST	1	1						
26	2	171008-77640	BOLT, THROUGH	2	2						
27	2	171008-77650	PINION ASSY	1	1						
28	3	171008-77660	SHAFT	1	1						
29	3	171008-77670	STOPPER SET	1	1						
33	3	171008-77720	CLUTCH ASSY	1	1						
34	4	171008-77730	BEARING, BALL	1	1						
35	4	171008-77740	BEARING	1	1						
36	2	171008-77750	COVER	1	1						
37	2	26106-060322	BOLT, M6X 32 PLATED	2	2						
38	2	26106-060402	BOLT, M6X 40 PLATED	3	3						
39	1	26116-120252	BOLT, M12X 25 PLATED	2	2						

Fig.16. GENERATOR

Fig. 16 ジェネレータ GENERATOR

REFER TO Fig. 2



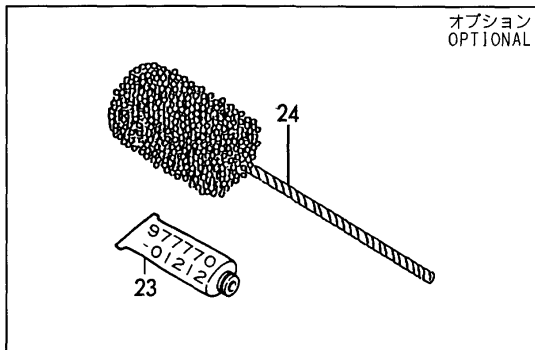
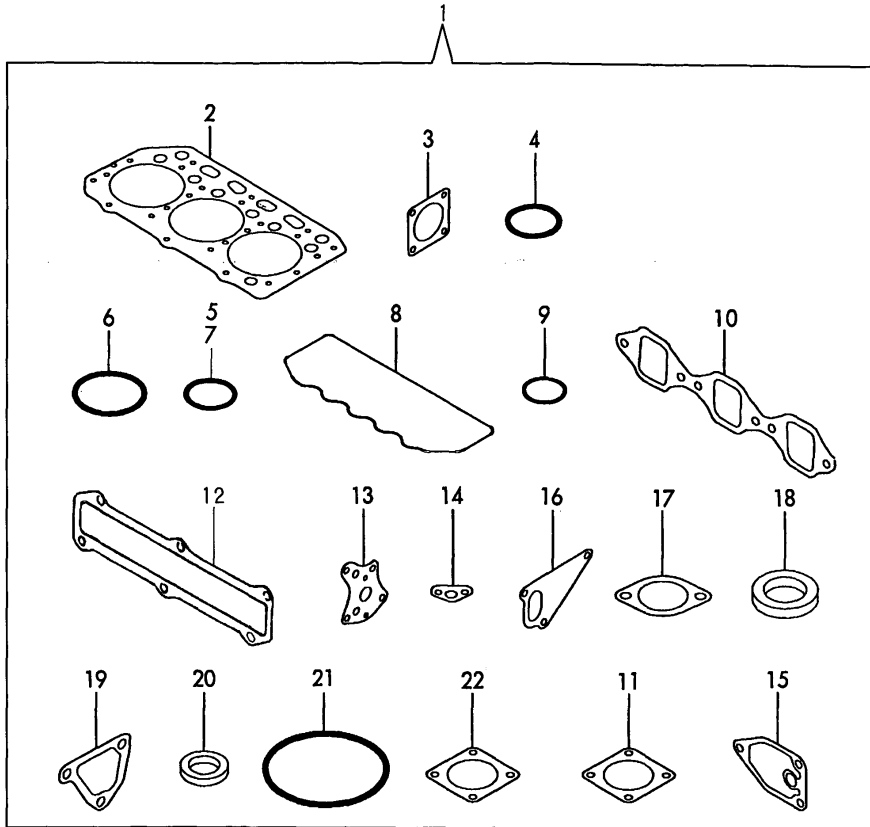
(A)=3TNE88-B1  
(B)=3TNE88-EB1  
(C)=

(D)=  
(E)=  
(F)=

No.	Lev.	Parts No.	Description	Qty						I	R
				(A)	(B)	(C)	(D)	(E)	(F)		
1	1	26106-100652	BOLT, M10X 65 PLATED	1							
1-1	1	129795-01900	BOLT, STUD M10X33	1	1						N
(A=E/#06380)											
2	1	129150-77202	GENERATOR	1	1						
2-1	1	129150-77203	DINAMO ASSY	1	1						N
(A=EXXXXX) (B=EXXXXX)											
3	2	XM219230000	WASHER, SPRING	1	1						
4	2	XM329830000	COLLAR	1	1						
5	2	XM860250000	WASHER, 10	1	1						
6	2	XM863720000	NUT	1	1						
7	2	129150-77210	PLATE ASSY	1	1						
8	3	XM069000000	CLAMP	1	1						
9	3	XM081780000	STATOR	1	1						
10	3	XM178780000	COUPLER	1	1						
11	3	XYSPS400800	SCREW	1	1						
12	3	XYSPS402400	SCREW	2	2						
15	2	129150-77230	FLYWHEEL ASSY	1	1						
15-1	2	129150-77280	FLYWHEEL ASSY	1	1						N
(A=EXXXXX) (B=EXXXXX)											
16	1	26366-100002	NUT, M10	1	1						
17	1	129100-77320	ADJUSTER	1	1						
18	1	26014-080252	BOLT, M8X 25	1							
18-1	1	119810-77340	BOLT, ADJUST L=30	1	1						N
(A=E/#06523)											
19	1	26106-080502	BOLT, M8X 50 PLATED	1	1						

Fig.17. GASKET SET(OPTIONAL) & TOOL

Fig. 17 バッキンセット (オプション) & 工具  
GASKET SET (OPTIONAL) & TOOL



(A)=3TNE88-B1  
(B)=3TNE88-EB1  
(C)=

(D)=  
(E)=  
(F)=

No.	Lev.	Parts No.	Description	Q'ty						I	R
				(A)	(B)	(C)	(D)	(E)	(F)		
1	1	729030-92610	GASKET SET	1	1						1
2	2	129001-01340	GASKET, HEAD	1	1						
3	2	124240-01883	GASKET	1	1						
4	2	121850-51960	O-RING	1	1						
5	2	24311-000320	O-RING, 1AP32.0	1	1						
6	2	24341-000500	O-RING, 1AS50.0	1	1						
7	2	24311-000320	O-RING, 1AP32.0	1	1						
8	2	129150-11310	GASKET, BONNET	1	1						
9	2	24311-000120	O-RING, 1AP12.0	3	3						
10	2	129150-12111	GASKET, MANIFOLD	1	1						
11	2	124701-11911	GASKET, SILENCER	1	1						
12	2	129001-13110	GASKET	1	1						
13	2	129150-32020	GASKET, PUMP	1	1						
14	2	129150-35041	GASKET	1	1						
15	2	129150-35111	GASKET	1	1						
16	2	129100-42020	GASKET, WATER PUMP	1	1						
17	2	129795-49551	GASKET	1	1						
18	2	129150-49811	GASKET, THERMOSTAT	1	1						
19	2	129100-49840	GASKET	1	1						
20	2	124465-44950	GASKET, 16	2	2						
21	2	24321-000650	O-RING, 1AG65.0	1	1						
22	2	129150-77511	GASKET	1	1						
23	1	977770-01212	GASKET, LIQUID	1	1						1
24	1	129400-92420	HONE	1	1						1

Remarks  
(1) OPTIONAL PART.

## Parts No. Index

Parts No.	Fig. No.	Ref. No.
101304-59020	14	16
103854-39140	14	15
104200-55321	14	2
104200-55330	14	3
104200-55750	14	10
105425-01690	3	9
114250-53080	13	5
114250-53120	13	9
114250-53130	13	10
114250-53140	13	11
114250-53210	13	12
114250-53400	13	13
119131-18320	6	5 -1
119233-77951	12	69
119620-01750	3	3
119625-11870	4	35 -1
119625-11871	4	35
119625-11880	4	36
119625-11900	4	37
119660-61901	12	39
119810-51040	11	21
119810-77340	16	18 -1
119812-12200	5	4
119840-59560	13	40
119840-59570	13	41
119856-03090	4	1
119865-21600	8	14
120130-11860	4	8
121023-01550	2	24
121111-21501	8	11
121120-12531	5	20
121120-12541	5	21
121120-12561	5	23
121120-12571	5	24
121250-44901	10	23
121250-59550	13	39
121400-11340	4	18
121450-01560	2	5
121450-42450	10	22
121520-34810	9	17
121550-23200	8	26
121550-49111	10	21
121850-11860	10	13
121850-21680	8	10
121850-51960	2	11
	17	4
122117-51560	11	62
122710-51090	11	24
123658-39320	9	32 A
124066-59100	13	38

Parts No.	Fig. No.	Ref. No.
124160-01751	2	6
	4	53
124160-01910	1	4
124160-11360	4	51
124160-39140	9	28
124160-39450	9	36
124240-01871	2	7
124240-01883	2	8
	17	3
124460-11340	4	19
124465-44950	10	24
		25
	17	20
124550-51350	11	46
124550-51370	11	47
124550-59830	9	33
124550-66370	12	41
124701-11911	6	7
	17	11
124736-07900	4	2
124766-59050	13	37
	14	18
		18 -1
		21
124950-51190	11	31
129001-01340	1	21
	17	2
129001-02800	1	13
129001-13100	6	1
129001-13110	6	2
	17	12
129001-21000	8	1
129001-22081	8	15
129001-22500	8	17
129001-22900	8	29
129001-22901	8	29 -1
129001-22950	8	31
129001-32001	9	1
129001-35300	9	24
129001-42002	10	1
129001-42003	10	1 -1
129001-42040	10	28
129001-91840	2	20 -1
	3	13 -1
	3	15 -1
129001-91910	3	15 -1
129030-12500	5	19
129030-13500	6	8
129030-44760	10	19
129052-55620	14	1
129052-61010	12	2

Parts No.	Fig. No.	Ref. No.
129052-61050	12	3
129052-61060	12	4
129052-61070	12	5
129052-61390	12	23
129052-61500	12	24
129052-61540	12	29
129100-01580	3	1
		19
	8	2
129100-01640	3	16
129100-11100	4	13
129100-11110	4	14
129100-11240	4	23
129100-11350	4	40
129100-11650	4	30
129100-23910	8	37
129100-25061	7	9
129100-42020	10	14
	17	16
129100-49840	10	33
	17	19
129100-52100	11	3
129100-55650	14	4
129100-55670	14	6
129100-55680	14	7
129100-55690	14	8
129100-55700	14	9
129100-59951	13	43
129100-61400	12	16
129100-61440	12	57
129100-61650	12	67
129100-61930	12	71 A
129100-77320	16	17
129102-53000	13	2
129120-77501	5	25
129122-12100	5	1
129128-21590	8	12
129129-01540	3	7
129129-01550	3	6
129129-14580	7	3
129132-12570	5	7
129132-12581	5	5
129132-12800	5	8
129132-12810	5	11
129132-12860	5	10
129132-12890	5	13
129132-12900	5	14
129132-34800	9	16
129132-61550	12	59
129150-01200	1	20

Parts No.	Fig. No.	Ref. No.
129150-02020	1	10
129150-02450	7	4
129150-02870	1	22
129150-02930	1	16
129150-02940	1	25
129150-03020	4	42
129150-03070	4	43
129150-03080	4	44
129150-03100	2	10
129150-11230	4	31
129150-11280	4	26
129150-11290	4	27
129150-11310	4	47
	17	8
129150-11370	4	20
129150-11750	4	33
129150-11810	4	10
129150-12111	5	2
	17	10
129150-12510	5	22
129150-14101	7	6
129150-14200	7	1
129150-14400	7	2
129150-21200	8	4
129150-23600	8	27
129150-23610	8	35
129150-25061	7	12
129150-25101	7	10
129150-25301	11	111
129150-25900	11	112
129150-25931	11	110
129150-32020	9	14
	17	13
129150-35041	9	18
	17	14
129150-35091	9	19
129150-35101	9	21
129150-35111	9	22
	17	15
129150-35151	9	23
129150-35350	9	25
129150-39450	9	29 A
129150-49811	10	32
	17	18
129150-59120	13	20
129150-59131	13	23
129150-59580	13	42
129150-77202	16	2
129150-77203	16	2 -1
129150-77210	16	7

## Parts No. Index

Parts No.	Fig. No.	Ref. No.
129150-77230	16	15
129150-77280	16	15 -1
129150-77511	5	26
	17	22
129155-11260	4	24
129155-11270	4	25
129155-42350	10	17 A
129155-49800	10	31
129155-51020	11	20
129155-51050	11	22
129155-51060	11	23
129155-51140	11	28
129155-51180	11	30
129155-51200	11	32
129155-51270	11	39
129155-51280	11	40
	12	1
129155-51320	11	44
129155-51340	11	45
129155-51370	11	48
129155-51380	11	49
129155-51390	11	50
129155-51400	11	51
129155-51410	11	52
129155-51420	11	53
129155-51450	11	54
129155-51500	11	59
129155-51521	11	60
129155-51530	11	101
129155-51540	11	102
129155-51550	11	61
129155-51570	11	64
129155-51580	11	65
129155-51591	11	103
129155-51600	11	66
129155-51700	11	85
129155-51710	11	86
129155-51750	11	87
129155-51760	11	88
129155-51790	11	89
129155-51930	11	91
129155-51940	11	92
129155-52050	11	2
129155-61120	12	6
129155-61130	12	7
129155-61140	12	8
129155-61201	12	9
129155-61341	12	13
129155-61350	12	14
129155-61360	12	15

Parts No.	Fig. No.	Ref. No.
129155-61430	12	19
129155-61450	12	20
129155-61460	12	21
129155-61470	12	58
129155-61480	12	22
129155-61540	12	30
129155-61590	12	63
129155-61830	12	38
129155-61950	12	40
129156-51910	11	90
129202-22300	8	21
129208-51060	11	23 A
129208-54500	11	106
129210-59040	14	17
129210-59130	13	36
129210-59150	14	20
129211-39450	9	29
129211-59910	13	24
129211-59920	13	28
129211-59930	13	32
129350-49560	10	26
129400-01520	2	4
129400-92420	17	24
129403-42380	10	17
129486-01670	3	20
129486-42140	10	29 -1
129489-61700	12	68
129505-51300	11	41
129506-51100	11	25
129612-01600	3	2 -1
129795-01780	3	18
129795-01800	2	3
129795-01900	16	1 -1
129795-01950	2	9
129795-02411	1	19
129795-11120	4	15
129795-11180	4	16
129795-21661	8	9
129795-49551	10	27
	17	17
135210-61090	12	72
171008-77010	15	1
171008-77400	15	2
171008-77410	15	3
171008-77420	15	4
171008-77440	15	6
171008-77450	15	7
171008-77460	15	8
171008-77470	15	9
171008-77480	15	10

Parts No.	Fig. No.	Ref. No.
171008-77490	15	11
171008-77500	15	12
171008-77510	15	13
171008-77520	15	14
171008-77530	15	15
171008-77531	15	15 -1
171008-77540	15	16
171008-77571	15	19
171008-77640	15	26
171008-77650	15	27
171008-77660	15	28
171008-77670	15	29
171008-77720	15	33
171008-77730	15	34
171008-77740	15	35
171008-77750	15	36
171051-01921	1	5
171301-01600	3	2
171340-21650	8	8
171340-44740	10	18
171350-13650	6	9
171350-13651	6	9 -1
174307-51170	11	29
174307-51560	11	63
174307-51700	12	25
194990-22050	6	3
		10
22117-040000	12	42
22190-060002	12	43
22190-060003	12	43 -1
22190-080002	2	22
		23
22190-080003	9	33 B
		34 -1
22190-100002	12	44
22190-120002	12	45
	13	51 -1
	14	19
22190-160002	3	10
	11	105
22217-050000	11	100
22217-060000	11	93
22217-120000	11	108
		113
22252-000260	8	22
22272-000040	12	35
22287-120000	12	46
22351-040010	8	7
22351-050010	11	94
22351-060012	4	21

Parts No.	Fig. No.	Ref. No.
22372-040000	12	47
22451-060000	12	73
22512-070140	7	7
	8	5
23000-060000	5	15
23297-080081	9	32 B
23414-080000	9	34
23414-100000	9	35
23414-120000	13	51
23871-010000	1	6
23871-020000	10	11
23871-030000	10	12
23876-010000	1	6 -1
23876-020000	10	11 -1
23876-030000	10	12 -1
23887-100002	12	48
24101-063034	11	95
24311-000120	4	52
	17	9
24311-000160	2	12
	9	26
	14	11
24311-000320	2	13
	4	54
	17	5
		7
24311-240100	14	12
24321-000300	10	29
24321-000650	14	13
	17	21
24341-000160	11	96
24341-000240	2	25
24341-000280	12	49
24341-000500	4	49
	17	6
25132-003700	10	16 A
25132-003800	10	16
26014-080202	6	11
26014-080252	16	18
26014-080702	14	14
26022-050102	11	97
26022-060162	11	98
26106-060102	12	50
		51
		52
26106-060142	5	16
	12	53
26106-060162	2	26
26106-060202	12	54
26106-060322	15	37



## Parts No. Index

Parts No.	Fig. No.	Ref. No.
26106-060402	15	38
26106-060502	10	20
26106-080122	2	14
	3	11
26106-080142	4	3
	5	17
	7	8
26106-080162	2	15
		16
	4	50
	10	30
26106-080202	2	17
	9	27
	10	34
26106-080252	3	12
	4	38
	5	3
		18
26106-080352	5	27
	9	20
26106-080402	6	4
26106-080452	2	18
	7	13
26106-080502	3	14
	4	39
	16	19
26106-080552	2	19
26106-080602	10	15
26106-080852	2	20
	3	13
26106-081202	3	15
26106-100652	16	1
26116-050302	11	99
26116-120252	15	39
26206-100252	3	4
26206-100302	3	5
26216-060202	4	11
26216-080222	6	5
26216-080402	6	6
26226-080182	4	34
26366-060002	4	22
26366-080002	2	21
	6	3 -1
		10 -1
	12	70
26366-100002	16	16
26450-060252	9	15
26687-120002	12	71
26716-060002	11	104
26716-120002	11	109

Parts No.	Fig. No.	Ref. No.
26716-120002	11	114
26756-060002	12	55
26776-120002	12	56
27231-500000	1	7
27241-120000	1	8
27241-300000	1	9
27241-400000	4	12
27310-080001	4	17
719810-01500	2	1
729001-01560	1	1
729001-11700	4	4
729030-51380	11	1
729030-51450	11	1 A
729030-92610	17	1
729102-53100	13	1
729402-23100	8	23
977770-01212	17	23
XM069000000	16	8
XM081780000	16	9
XM178780000	16	10
XM219230000	16	3
XM329830000	16	4
XM860250000	16	5
XM863720000	16	6
XYSPS400800	16	11
XYSPS402400	16	12

Parts No.	Fig. No.	Ref. No.
-----------	----------	----------

Parts No.	Fig. No.	Ref. No.
-----------	----------	----------