

0CB10-M58801EN

## Directions for the Parts Catalog.

1. This Parts Catalog shows both standard and optional parts.
2. Parts may change without prior notice.
3. The following is an example of the Parts Catalog format.

REF.	LEV.	PARTS NO.	DESCRIPTION	Q'TY						I	R
				(A)	(B)	(C)	(D)	(E)	(F)		
1	1	729595-51390	FUEL INJECTION PUMP	1	1	1	1	1			1
1-1	1	729595-51391	FUEL INJECTION PUMP	1	1	1	1	1		N	1
		(A=E00185) (B=E00200)									
3	2	26022-060162	SCREW M 6X 16	9	9	9	9	9			
3-1	2	26022-060162	SCREW M 6X 16	4	4	4	4	4		K	
		(A=E00156) (B=E00156) (C=E00156) (D=E00156) (E=E00156)									
4	2	129470-51040	CAMSHAFT	1	1	1	1	1			
5	2	122710-51050	BEARING, ROLLER	2	2	2	2	2			
6	2	129470-51060	RETAINER	1	1	1	1	1			

Remarks
(1) BOOST COMPEMSATOR TYPE. OPTIONAL PART, TO E00155,(4JH-DT, 4JH-DTZ

### ① Ref. No.

The Ref. No. listed may not be in accordance with the illustration Ref. No.

(Ex.) Illustration No.

List Ref No.

1

1

(Before change)

1-1

(After change)

For interchangeable symbols N, R and K, illustrations for new parts may be abbreviated.

### ② Lev. (Level)

Level indication

The numbers below indicate the level of relativity towards the main part.

1 ----- Main parts (Assembly parts)

2 ----- Sub component included in " 1 ".

3 ----- Sub component included in " 2 ".

Note) Parts that are not for sale are partially illustrated but not listed.

### ③ Interchangeability Symbol

When a part change takes place, one of the following interchangeability symbols is indicated beside the part.

Symbol	Interchangeability	Contents note
N	Old $\begin{matrix} \leftarrow \text{Yes} \\ \text{No} \rightarrow \end{matrix}$ New	New Part is interchangeable for Old Part but Old Part is not interchangeable for New Part.
Q	Old $\begin{matrix} \leftarrow \text{No} \\ \text{Yes} \rightarrow \end{matrix}$ New	New Part is not interchangeable for Old Part but Old Part is interchangeable for New Part.
R	Old $\begin{matrix} \leftarrow \text{Yes} \\ \text{Yes} \rightarrow \end{matrix}$ New	New/ Old Parts are both interchangeable.
S	Old $\begin{matrix} \leftarrow \text{No} \\ \text{No} \rightarrow \end{matrix}$ New	New/ Old Parts are both not interchangeable.
W		Part newly added.
Z		Part discontinued.
F		Not interchangeable by a single part but interchangeable together with related parts.
K		Changes only for used parts quantities.

### ④ Effective Machine No.

When a part changes, the effective Machine No. will be indicated in the (A)-(F) column.

Product Symbol	Product No.	Product Symbol	Product No.
C	Clutch No. Compressor No.	F	Machine No. (Agricultural Equip.)
D	Drive No.	M	Machine No.
E	Engine No.		

Note 1) A date may follow the symbol. (Ex.) 1996.01

Note 2) " XXXXX " and " ZZZZZ " are for parts that could not be predicted or for engine models that could not be identified.

Note 3) (A=E00185) is the E (Engine Serial Number) for the column (A) model (in this case 4JH-DT) after the parts design change.

### ⑤ Remarks

Figures or alphabets (symbols) are entered in the remarks column.

The comments (remarks) on parts that are indicated at the bottom of the illustration are the same symbols as those stated above.

# Contents

0CB10-M58801

Fig. No. Fig. Name

3TNA72L-UBA/UBB

1. CYLINDER BLOCK
2. GEAR HOUSING
3. FLYWHEEL HOUSING & OIL SUMP
4. CYLINDER HEAD & BONNET
5. SUC.MANIFOLD & AIR CLEANER
6. EXH.MANIFOLD & SILENCER
7. CAMSHAFT & DRIVING GEAR
8. CRANKSHAFT & PISTON
9. LUB. OIL SYSTEM
10. COOLING WATER SYSTEM
11. FUEL INJECTION DEVICE
12. FUEL PIPE
13. GOVERNOR
14. STARTING MOTOR
15. GENERATOR
16. GASKET SET(OPTIONAL) & TOOL

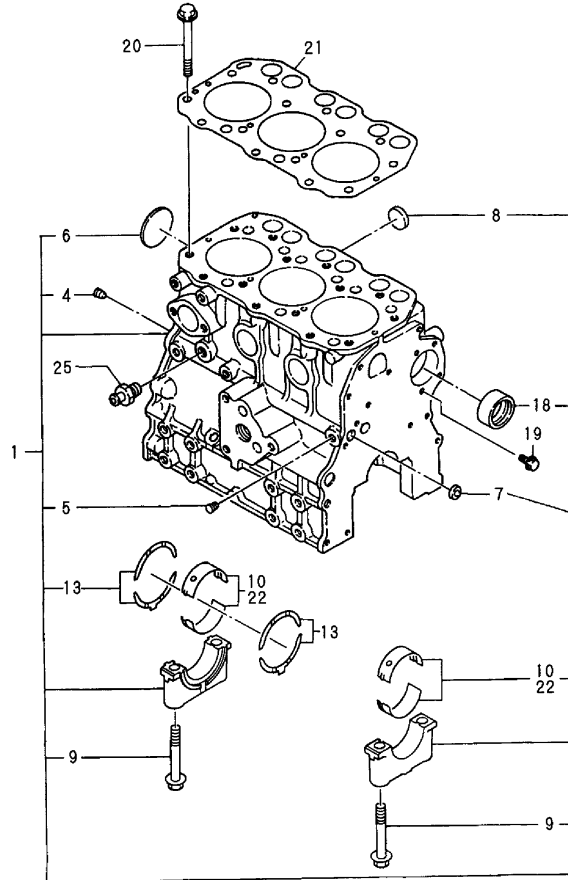
Fig. No. Fig. Name

Fig.1. CYLINDER BLOCK

(A)=3TNA72L-UBA  
(B)=3TNA72L-UBB  
(C)=

(D)=  
(E)=  
(F)=

Fig.1 シリンダブロック  
CYLINDER BLOCK



No.	Lev.	Parts No.	Description	Q'ty						I	R
				(A)	(B)	(C)	(D)	(E)	(F)		
1	1	719610-01560	BLOCK ASSY, CYLINDER	1	1						
4	3	119600-01050	PLUG, PT1/4	1	1						
5	3	23871-010000	PLUG, R01	1	1						
6	3	27231-450000	PLUG 45	1	1						
7	3	27241-120000	PLUG, 12	1	1						
8	3	27241-300000	PLUG 30	6	6						
9	2	119620-02020	BOLT, METAL CAP	8	8						
10	2	719620-02800	BEARING, MAIN	4	4						
10-1	2	119620-02800	BEARING, MAIN	4	4						N
		(A=FROM 1ST)	(B=FROM 1ST)								
13	2	719620-02930	BEARING, THRUST	2	2						
18	2	119620-02410	BUSH, CAMSHAFT	1	1						
18-1	2	119624-02410	BUSH	1	1						R
		(A=E/# C8483)	(B=E/# D3532)								
19	1	26106-060122	BOLT, M6X 12 PLATED	2	2						
20	1	119620-01200	BOLT, HEAD	14	14						
21	1	119620-01343	GASKET, HEAD	1	1						A
22	1	719620-02870	BEARING, 0.25 US	4	4						1
22-1	1	119620-02870	BEARING, 0.25 US	4	4						N 1
		(A=FROM 1ST)	(B=FROM 1ST)								
25	1	121550-49111	JOINT, PT1/4	1	1						

Remarks

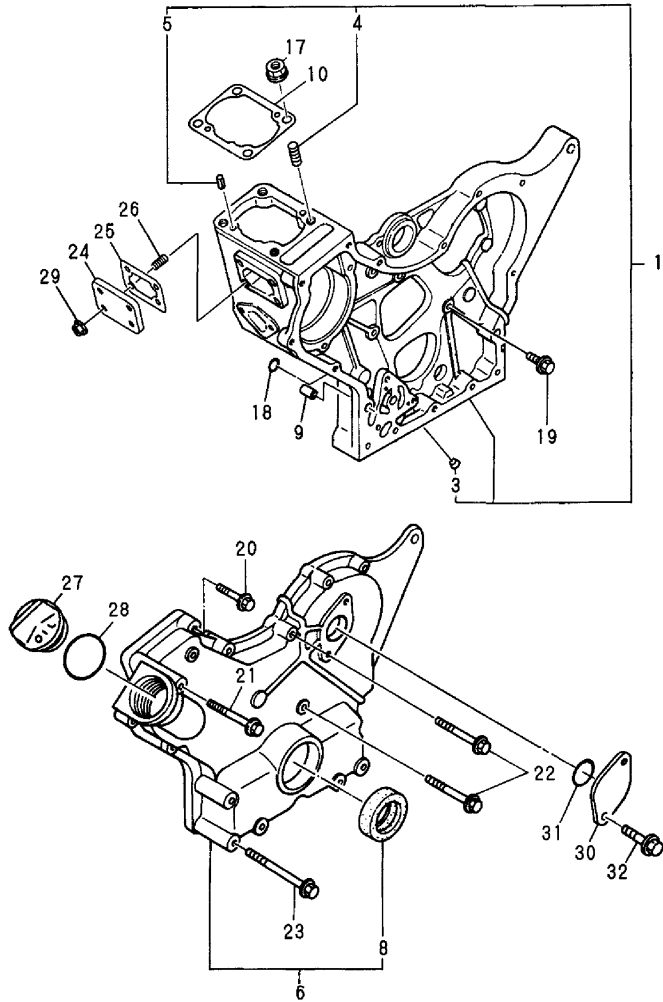
(1)UNDER-SIZE PART.  
(A)THIS PART IS ALSO SOLD BY GASKET SET(FIG 16.REF NO.2 P/# 719640 -92602).

Fig.2. GEAR HOUSING

(A)=3TNA72L-UBA  
(B)=3TNA72L-UBB  
(C)=

(D)=  
(E)=  
(F)=

Fig. 2 ギヤケース  
GEAR HOUSING



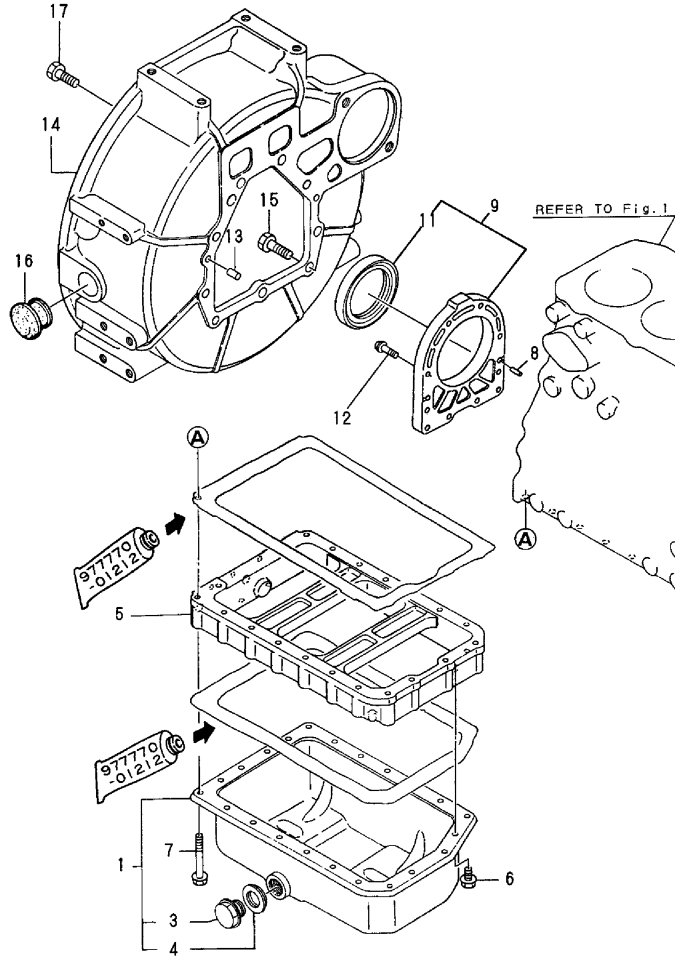
No.	Lev.	Parts No.	Description	Q'ty						I	R
				(A)	(B)	(C)	(D)	(E)	(F)		
1	1	119610-01490	CASE ASSY, GEAR	1	1						
3	2	119660-01510	PLUG, 10X14	1	1						
4	2	121450-01560	STUD, M8X22	4	4						
5	2	22351-040010	PIN, SPRING 4.0X10	2	2						
6	1	119610-01590	COVER ASSY, GEAR CASE	1	1						
8	2	119620-01800	SEAL, OIL	1	1						
9	1	119660-01911	PIPE, KNOCK	4	4						
10	1	119623-01950	SHIM SET, ADJUSTING	1	1						
17	1	194990-22050	NUT, M8	4	4						
18	1	24311-000120	O-RING, 1AP12.0	2	2						
19	1	26106-060162	BOLT, M6X 16 PLATED	7	7						
20	1	26106-060302	BOLT, M6X 30 PLATED	8	8						
21	1	26106-060602	BOLT, M6X 60 PLATED	1	1						
22	1	26106-060602	BOLT, M6X 60 PLATED	3	3						
23	1	26106-060802	BOLT, M6X 80 PLATED	6	6						
24	1	119660-01551	COVER	1	1						
25	1	119660-01562	GASKET	1	1						
26	1	119660-01570	STUD, M6X12	4	4						
27	1	124160-01751	COVER, FILLER	1	1						
28	1	24311-000320	O-RING, 1AP32.0	1	1						
29	1	26366-060002	NUT, M6	4	4						
30	1	121023-01550	COVER	1	1						
31	1	24341-000240	O-RING, 1AS24.0	1	1						
32	1	26106-060182	BOLT, M6X 18 PLATED	2	2						
32-1	1	26106-060162	BOLT, M6X 16 PLATED	2	2						R
		(A=EXXX) (B=EXXX)									

Fig.3. FLYWHEEL HOUSING & OIL SUMP

(A)=3TNA72L-UBA  
(B)=3TNA72L-UBB  
(C)=

(D)=  
(E)=  
(F)=

Fig.3 フライホイールハウジング&オイルパン  
FLYWHEEL HOUSING & LUB.OIL SUMP



No.	Lev.	Parts No.	Description	Q'ty						I	R
				(A)	(B)	(C)	(D)	(E)	(F)		
1	1	719631-01540	SUMP ASSY, OIL	1	1						
3	2	119640-01640	PLUG, DRAIN M22	1	1						
4	2	22190-220002	WASHER, SEAL 22	1	1						A
5	1	119600-01722	SPACER, OIL SUMP	1	1						
6	1	26106-060122	BOLT, M6X 12 PLATED	3	3						
7	1	26106-060452	BOLT, M6X 45 PLATED	20	20						
8	1	119620-01620	PIN, M6X10	2	2						
9	1	119660-01640	CASE ASSY, OIL SEAL	1	1						
11	2	124085-02220	SEAL, OIL	1	1						
12	1	26106-060222	BOLT, M6X 22 PLATED	10	10						
13	1	129100-01580	PIN, M8X16	2	2						
14	1	119600-01600	HOUSING, FLYWHEEL	1	1						
15	1	121120-01620	BOLT, M10X28	3	3						
16	1	119620-01750	CAP	1	1						
17	1	26206-100252	BOLT, M10X 25 PLATED	6	6						

Remarks

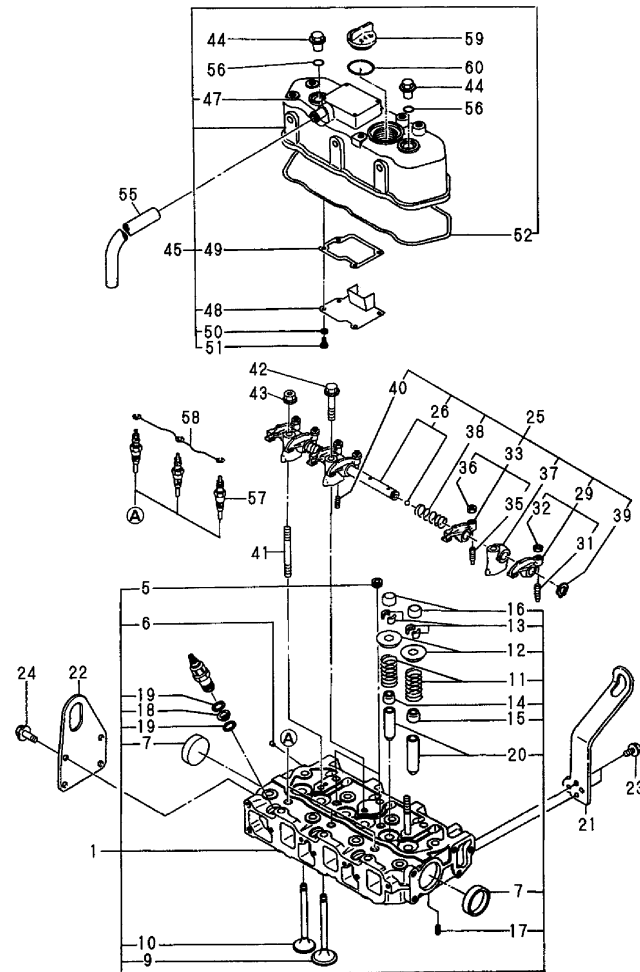
(A) THIS PART IS ALSO SOLD BY GASKET SET (FIG 16. REF NO.2 P/# 719640 -92602).

Fig.4. CYLINDER HEAD & BONNET

(A)=3TNA72L-UBA  
(B)=3TNA72L-UBB  
(C)=

(D)=  
(E)=  
(F)=

Fig.4 シリンダヘッド&ボンネット  
CYLINDER HEAD & BONNET



No.	Lev.	Parts No.	Description	Q'ty						I	R
				(A)	(B)	(C)	(D)	(E)	(F)		
1	1	119629-11700	HEAD ASSY, CYLINDER	1	1						
5	3	23871-020000	PLUG, R02	2	2						
6	3	27221-050080	PLUG, 5X 8	1	1						
7	3	27241-400000	PLUG, 40	2	2						
9	2	119620-11100	VALVE, INTAKE	3	3						
10	2	119620-11110	VALVE, EXHAUST	3	3						
11	2	119620-11120	SPRING, VALVE	6	6						
12	2	119620-11180	RETAINER, SPRING	6	6						
13	2	27310-070001	COTTER, 7	6	6						N
		(A=E/XXXXX) (B=E/XXXXX)									
14	2	124950-11340	SEAL, VALVE STEM	3	3						
15	2	124160-11340	SEAL, VALVE STEM	3	3						
16	2	104211-11370	CAP, VALVE	6	6						
17	2	22351-060012	PIN, SPRING 6.0X12	2	2						
18	2	119600-11450	PROTECTOR, NOZZLE	3	3						
19	2	119600-11460	GASKET, NOZZLE	6	6						
20	1	119620-11801	GUIDE, VALVE	6	6						1
21	1	129403-07900	LIFTER	1	1						
22	1	119632-07900	LIFTER	1	1						
23	1	26106-080142	BOLT, M8X 14 PLATED	2	2						
24	1	26106-060122	BOLT, M6X 12 PLATED	4	4						
25	1	119620-11200	SUPPORT ASSY, ARM	1	1						
26	2	119620-11240	SHAFT ASSY, ROCKER	1	1						
29	2	719620-11650	ARM ASSY, ROCKER	3	3						
31	3	105010-11230	SCREW, VALVE ADJUST	3	3						
32	3	26756-060002	NUT, LOCK M6	3	3						
32-1	3	26856-060002	NUT, M6	3	3						N
		(A=E/# C8483) (B=E/# D3532)									
33	2	719620-11660	ARM ASSY, ROCKER	3	3						
35	3	105010-11230	SCREW, VALVE ADJUST	3	3						
36	3	26756-060002	NUT, LOCK M6	3	3						
36-1	3	26856-060002	NUT, M6	3	3						N
		(A=E/# C8483) (B=E/# D3532)									
37	2	119620-11260	SUPPORT, ROCKER ARM	3	3						
38	2	119620-11280	SPRING	2	2						
39	2	22242-000120	RING, 12	2	2						
40	2	26979-050162	SCREW, M5X16	1	1						
41	1	119620-11350	STUD	2	2						
42	1	26106-080452	BOLT, M8X 45 PLATED	1	1						
43	1	26366-080002	NUT, M8	2	2						
44	1	124160-11360	KNOB	2	2						
45	1	119620-11330	BONNET ASSY, HEAD	1	1						
47	2	119620-11390	JOINT	1	1						
47-1	2	118400-03060	JOINT, BREATHER	1	1						R
		(A=E/# C8483) (B=E/#D6066)									
48	2	119620-03020	PLATE, SHELTER	1	1						
49	2	119620-03031	GASKET	1	1						
50	2	22217-050000	WASHER, SPRING 5	4	4						Z
		(A=E/# C8483) (B=E/#D3151)									
51	2	26557-050102	SCREW, M5X10	4	4						
51-1	2	22857-500100	SCREW, 5X10	4	4						R

Remarks

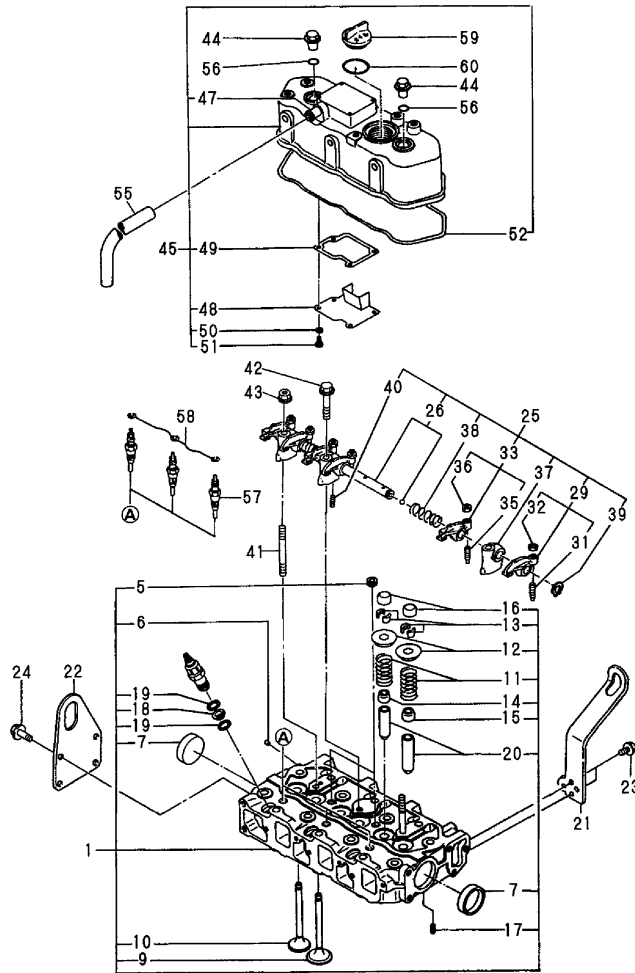
(1)REPAIR PART.  
(A)THIS PART IS ALSO SOLD BY GASKET SET(FIG 16.REF NO.2 P/# 719640 -92602).

Fig.4. CYLINDER HEAD & BONNET

(A)=3TNA72L-UBA  
(B)=3TNA72L-UBB  
(C)=

(D)=  
(E)=  
(F)=

Fig.4 シリンダヘッド&ボンネット  
CYLINDER HEAD & BONNET



No.	Lev.	Parts No.	Description	Q'ty						I	R
				(A)	(B)	(C)	(D)	(E)	(F)		
		(A=E/# C8483)	(B=E/#D3151)								
52	2	119620-11310	GASKET, BONNET	1	1						A
55	1	23065-120700	PIPE, 12X 700	1	1						
56	1	24311-000120	O-RING, 1AP12.0	2	2						A
57	1	129155-77801	PLUG, GLOW	3	3						
58	1	119620-77820	CONNECTOR, GLOW PLUG	1	1						
59	1	124160-01751	COVER, FILLER	1	1						
60	1	24311-000320	O-RING, 1AP32.0	1	1						

Remarks

(1)REPAIR PART.  
(A)THIS PART IS ALSO SOLD BY GASKET SET(FIG 16.REF NO.2 P/# 719640 -92602).

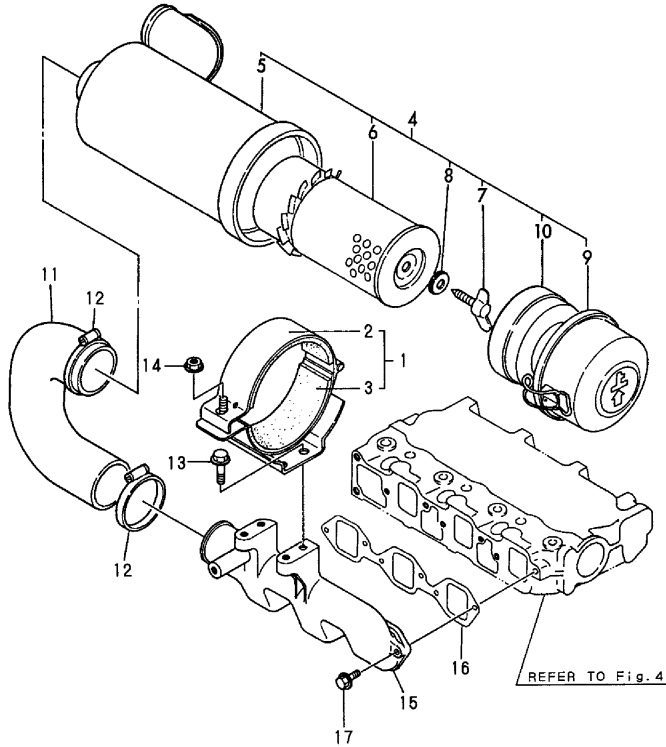


Fig.5. SUC.MANIFOLD & AIR CLEANER

(A)=3TNA72L-UBA  
(B)=3TNA72L-UBB  
(C)=

(D)=  
(E)=  
(F)=

Fig.5 吸気マニホールド&エアクリーナ  
SUC.MANIFOLD & AIR CLEANER



No.	Lev.	Parts No.	Description	Q'ty						I	R
				(A)	(B)	(C)	(D)	(E)	(F)		
1	1	119632-12590	SUPPORT ASSY,CLEANER	1	1						
2	2	119632-12560	SUPPORT	1	1						
3	2	119640-12580	SEAT, RUBBER	2	2						
4	1	119631-12600	CLEANER ASSY, AIR	1	1						
5	2	121465-12650	CASE ASSY	1	1						
6	2	121465-12510	ELEMENT	1	1						
7	2	124064-12680	BOLT	1	1						
8	2	124064-12690	WASHER	1	1						
9	2	121465-12660	PAN, DUST	1	1						
10	2	121465-12700	RETAINER, ELEMENT	1	1						
11	1	119631-12650	PIPE, AIR INTAKE	1	1						
12	1	23000-060000	CLAMP, 60	2	2						
13	1	26014-080202	BOLT, M8X 20	4	4						
14	1	26366-080002	NUT, M8	1	1						
15	1	119645-12100	MANIFOLD, AIR INTAKE	1	1						
16	1	119620-12111	GASKET, MANIFOLD	1	1						A
17	1	26106-060202	BOLT, M6X 20 PLATED	6	6						

Remarks

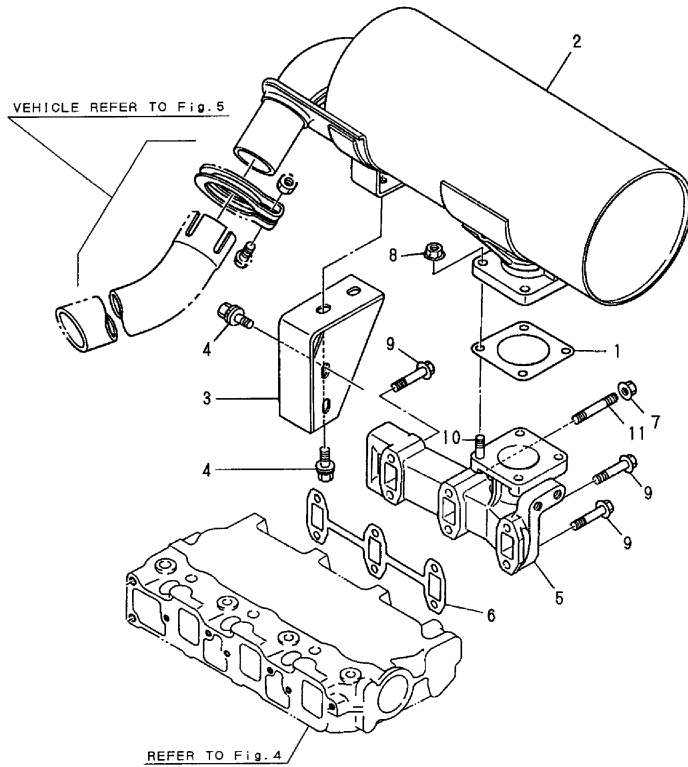
(A) THIS PART IS ALSO SOLD BY GASKET SET (FIG 16. REF NO.2 P/# 719640 -92602).

Fig.6. EXH.MANIFOLD & SILENCER

(A)=3TNA72L-UBA  
(B)=3TNA72L-UBB  
(C)=

(D)=  
(E)=  
(F)=

Fig.6 排気マニホールド&サイレンサ  
EXH. MANIFOLD & SILENCER



No.	Lev.	Parts No.	Description	Q'ty						I	R
				(A)	(B)	(C)	(D)	(E)	(F)		
1	1	124701-11911	GASKET, SILENCER	1	1						A
2	1	119631-13500	SILENCER	1	1						
3	1	119631-13650	STAY, SILENCER	1	1						
4	1	26014-080202	BOLT, M8X 20	4	4						
5	1	119631-13101	MANIFOLD, EXHAUST	1	1						
6	1	119620-13110	GASKET	1	1						A
7	1	194990-22050	NUT, M8	2	2						
7-1	1	26366-080002	NUT, M8	2	2						R
		(A=E/# C8483) (B=E/# D6064)									
8	1	194990-22050	NUT, M8	4	4						
8-1	1	26366-080002	NUT, M8	4	4						R
		(A=E/# C8483) (B=E/# D6064)									
9	1	26106-080402	BOLT, M8X 40 PLATED	4	4						
10	1	26216-080222	STUD, M8X 22	4	4						
10-1	1	119131-18320	STUD, M8X22	4	4						N
		(A=E/# C8483) (B=E/# D3151)									
11	1	26216-080552	STUD, M8X 55	2	2						

Remarks

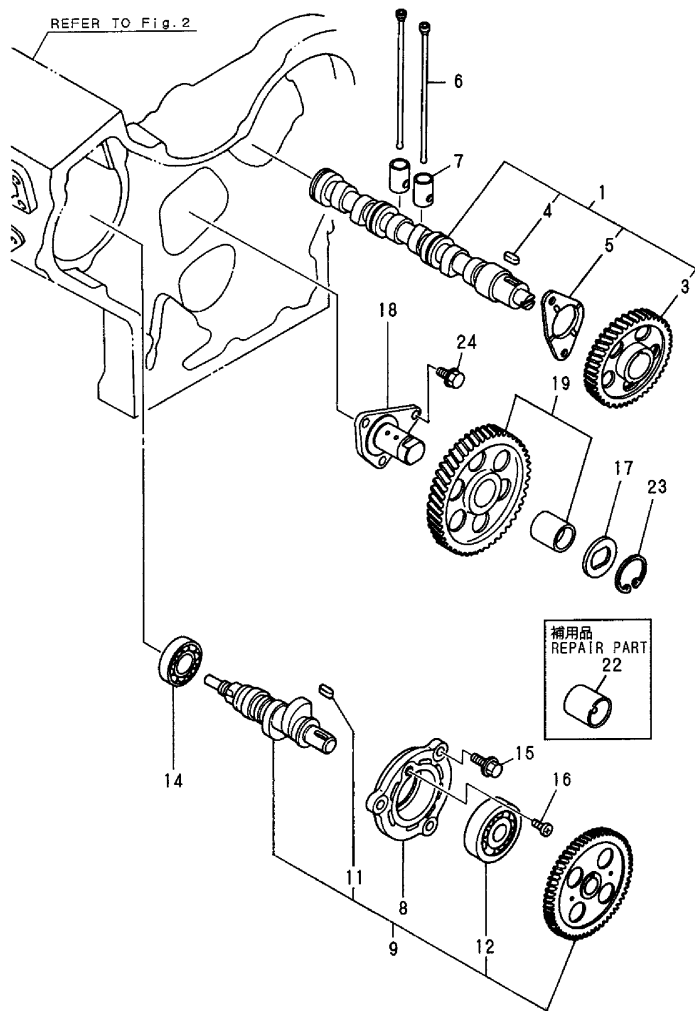
(A) THIS PART IS ALSO SOLD BY GASKET SET (FIG 16. REF NO.2 P/# 719640 -92602).

Fig.7. CAMSHAFT & DRIVING GEAR

(A)=3TNA72L-UBA  
(B)=3TNA72L-UBB  
(C)=

(D)=  
(E)=  
(F)=

Fig.7 カムシャフト & 駆動ギヤ  
CAMSHAFT & DRIVING GEAR



No.	Lev.	Parts No.	Description	Qty						I	R
				(A)	(B)	(C)	(D)	(E)	(F)		
1	1	119629-14580	CAMSHAFT ASSY	1	1						
3	2	119620-14100	GEAR, CAMSHAFT	1	1						
4	2	22512-040120	KEY, 4X 12	1	1						
5	2	119620-02450	BEARING, THRUST	1	1						
6	1	119620-14401	ROD, PUSH	6	6						
7	1	119620-14200	TAPPET	6	6						
8	1	119660-01821	BEARING, FUEL CAM	1	1						
9	1	719660-14590	CAMSHAFT	1	1						
11	2	22512-040120	KEY, 4X 12	1	1						
12	1	24102-063034	BEARING, BALL 6303U	1	1						
14	1	24101-062034	BEARING, BALL 6203	1	1						
15	1	26106-060162	BOLT, M6X 16 PLATED	3	3						
16	1	26587-080102	SCREW, M8X10	1	1						
17	1	119660-25022	RETAINER	1	1						
18	1	119660-25052	SHAFT, IDLE	1	1						
19	1	119620-25102	GEAR ASSY, IDLE	1	1						
22	1	119620-25912	BUSH	1	1						1
23	1	22242-000200	RING, 20	1	1						
24	1	26106-060122	BOLT, M6X 12 PLATED	3	3						

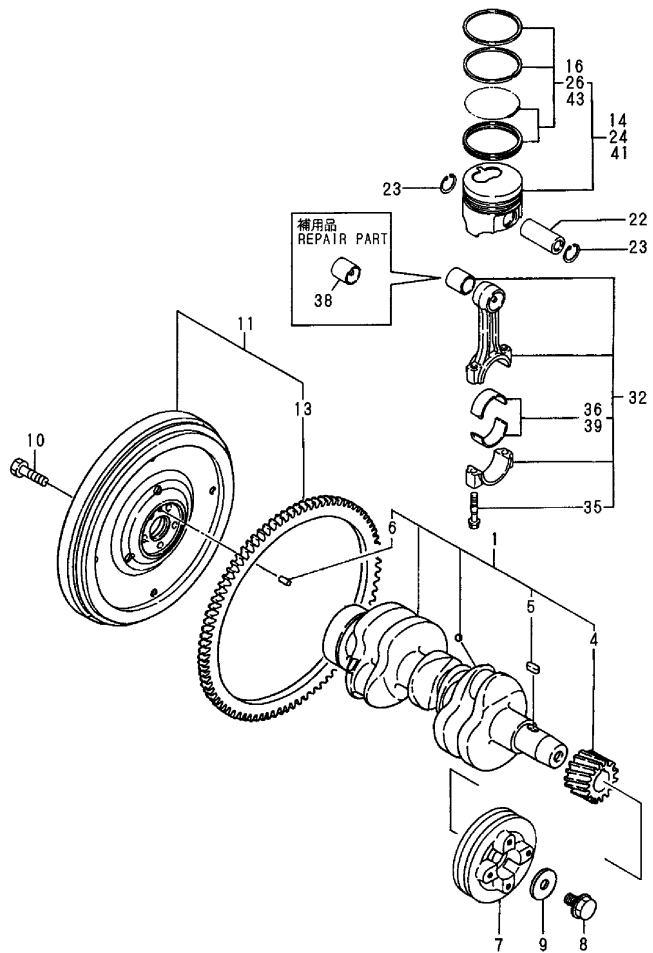
Remarks  
(1)REPAIR PART.

Fig.8. CRANKSHAFT & PISTON

(A)=3TNA72L-UBA  
(B)=3TNA72L-UBB  
(C)=

(D)=  
(E)=  
(F)=

Fig.8 クランクシャフト & ピストン  
CRANKSHAFT & PISTON



No.	Lev.	Parts No.	Description	Q'ty						I	R
				(A)	(B)	(C)	(D)	(E)	(F)		
1	1	719660-21700	CRANKSHAFT ASSY	1	1						
4	2	119644-21200	GEAR, CRANKSHAFT	1	1						
5	2	22512-040120	KEY, 4X 12	1	1						
6	2	129100-01580	PIN, M8X16	1	1						
7	1	119660-21651	V-PULLEY	1	1						
8	1	119621-21680	BOLT, FLANGE 12X1.25	1	1						
9	1	119620-21941	WASHER	1	1						
10	1	121111-21501	BOLT, FLYWHEEL	5	5						
11	1	119631-21590	FLYWHEEL ASSY	1	1						
13	2	119865-21600	GEAR, RING	1	1						
14	1	119620-22090	PISTON ASSY	3	3						
16	2	719620-22500	RING SET, PISTON	3	3						
22	1	119620-22300	PIN, PISTON	3	3						
23	1	22252-000210	RING, 21	6	6						
24	1	119620-22900	PISTON ASSY, 0.25 OS	3	3						1
26	2	119620-22950	RING SET, 0.25 OS	3	3						1
32	1	719620-23100	ROD ASSY, CONNECTING	3	3						
35	2	105225-23200	BOLT, CONNECTING ROD	6	6						
36	2	719620-23600	BEARING, CRANK PIN	3	3						
38	1	119620-23910	BEARING, PISTON PIN	3	3						2
39	1	719620-23610	BEARING ASSY, 0.25	3	3						3
41	1	119620-22920	PISTON ASSY, 0.50 OS	3	3						4
43	2	119620-22970	RING SET, 0.50 OS	3	3						4

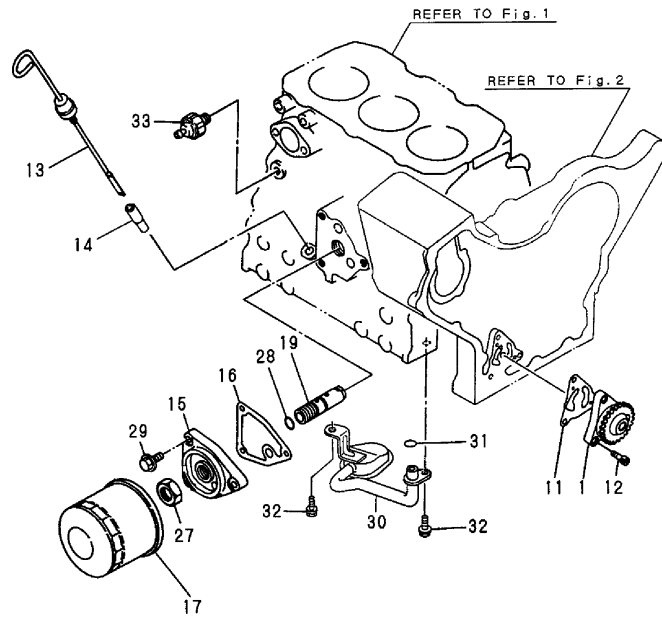
Remarks  
 (1)OVER-SIZE PART.  
 (2)REPAIR PART.  
 (3)UNDER-SIZE PART.  
 (4)OVER-SIZE PART.

Fig.9. LUB. OIL SYSTEM

(A)=3TNA72L-UBA  
(B)=3TNA72L-UBB  
(C)=

(D)=  
(E)=  
(F)=

Fig.9 潤滑油システム  
LUB.OIL SYSTEM



No.	Lev.	Parts No.	Description	Q'ty						I	R
				(A)	(B)	(C)	(D)	(E)	(F)		
1	1	119660-32001	PUMP ASSY, OIL	1	1						
11	1	119660-32020	GASKET, PUMP	1	1						
12	1	26450-060202	BOLT, M6X 20	3	3						
13	1	119631-34800	DIPSTICK, OIL	1	1						
14	1	121520-34810	GUIDE, DIPSTICK	1	1						
15	1	119660-35102	BRACKET, FILTER	1	1						
16	1	119660-35113	GASKET	1	1						
17	1	119305-35170	FILTER ASSY, D68XL65	1	1						
19	1	119660-35300	VALVE ASSY, CONTROL	1	1						
27	1	129150-35350	NUT	1	1						
28	1	24311-000160	O-RING, 1AP16.0	1	1						
29	1	26106-080202	BOLT, M8X 20 PLATED	3	3						
30	1	119600-35081	PIPE ASSY, OIL INLET	1	1						
30-1	1	119623-35080	PIPE ASSY, OIL INLET	1	1						N
				(A=FROM 1ST)		(B=FROM 1ST)					
31	1	119209-35030	O-RING, P11	1	1						
32	1	26106-060102	BOLT, M6X 10 PLATED	2	2						
33	1	124160-39450	SWITCH, HYDRAULIC	1	1						

Remarks

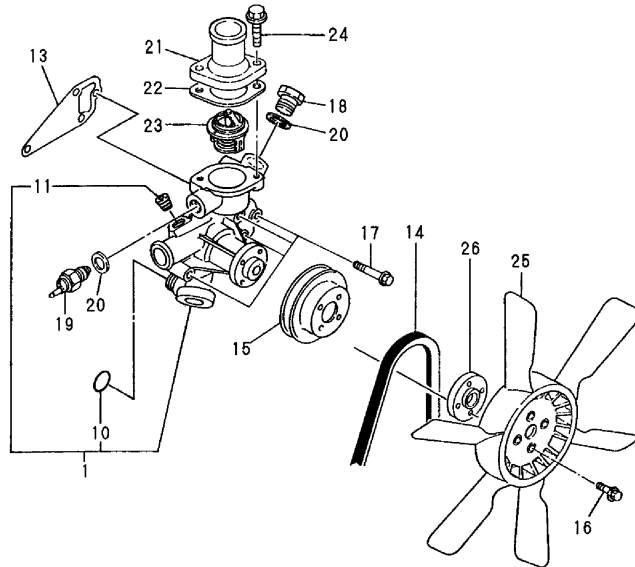
(1)O-ring is integrated type.  
(integrated to the LO.filter)

Fig.10. COOLING WATER SYSTEM

(A)=3TNA72L-UBA  
(B)=3TNA72L-UBB  
(C)=

(D)=  
(E)=  
(F)=

Fig. 10 冷却水システム  
COOLING WATER SYSTEM



No.	Lev.	Parts No.	Description	Q'ty						I	R
				(A)	(B)	(C)	(D)	(E)	(F)		
1	1	119660-42005	PUMP ASSY, WATER	1	1						
10	2	119620-42320	O-RING	1	1						
11	2	23871-030000	PLUG, R03	1	1						
13	1	119620-42020	GASKET, WATER PUMP	1	1						A
14	1	119640-42290	V-BELT, FM36.5	1	1						
15	1	119656-42350	V-PULLEY	1	1						
16	1	26014-060252	BOLT, M6X 25	4	4						
17	1	26106-080452	BOLT, M8X 45 PLATED	4	4						
18	1	121450-42450	PLUG, M16	1	1						
19	1	121250-44901	SWITCH, 110	1	1						
20	1	124465-44950	GASKET, 16	2	2						
21	1	129350-49530	COVER, THERMOSTAT	1	1						
22	1	129350-49541	GASKET	1	1						
23	1	129350-49800	THERMOSTAT, 71	1	1						
24	1	26106-080202	BOLT, M8X 20 PLATED	2	2						
25	1	119620-44741	FAN, COOLING D310	1	1						
26	1	124574-44761	SPACER, FAN	1	1						

Remarks

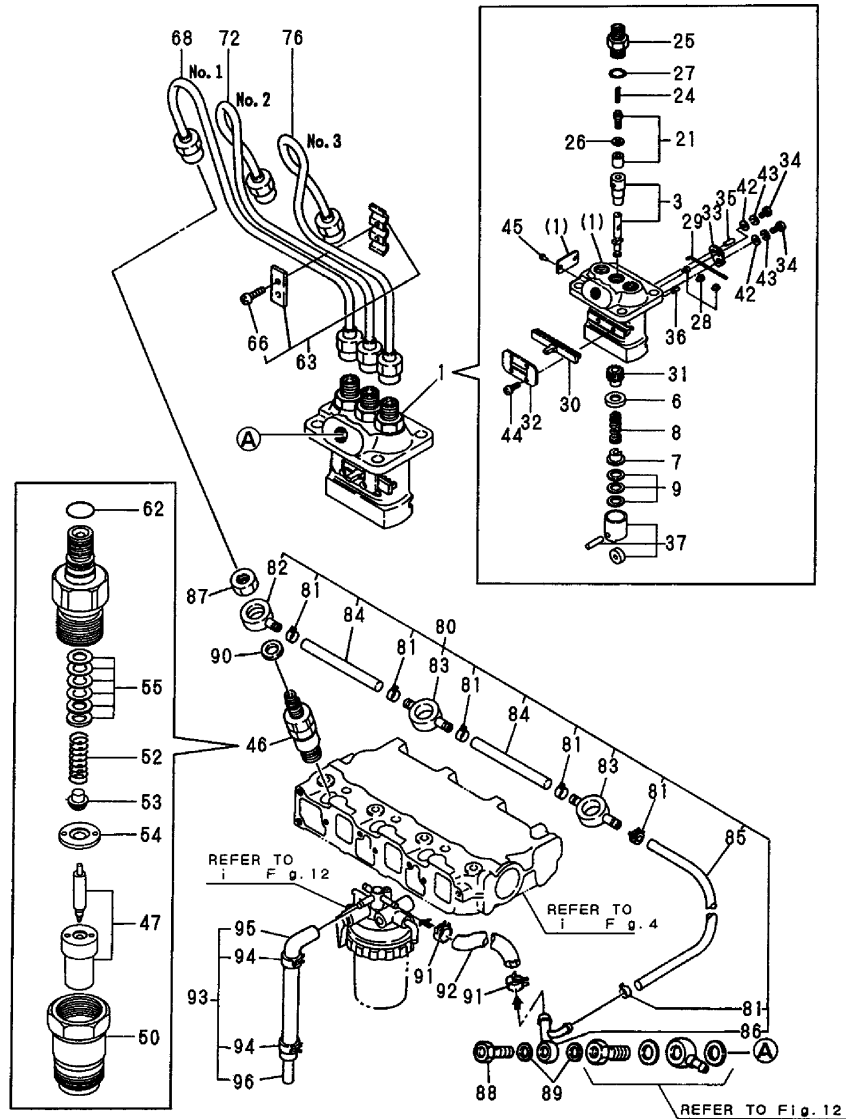
(A) THIS PART IS ALSO SOLD BY GASKET SET (FIG 16. REF NO.2 P/# 719640 -92602).

Fig.11. FUEL INJECTION DEVICE

(A)=3TNA72L-UBA  
(B)=3TNA72L-UBB  
(C)=

(D)=  
(E)=  
(F)=

Fig.11 燃料噴射装置  
FUEL INJECTION DEVICE



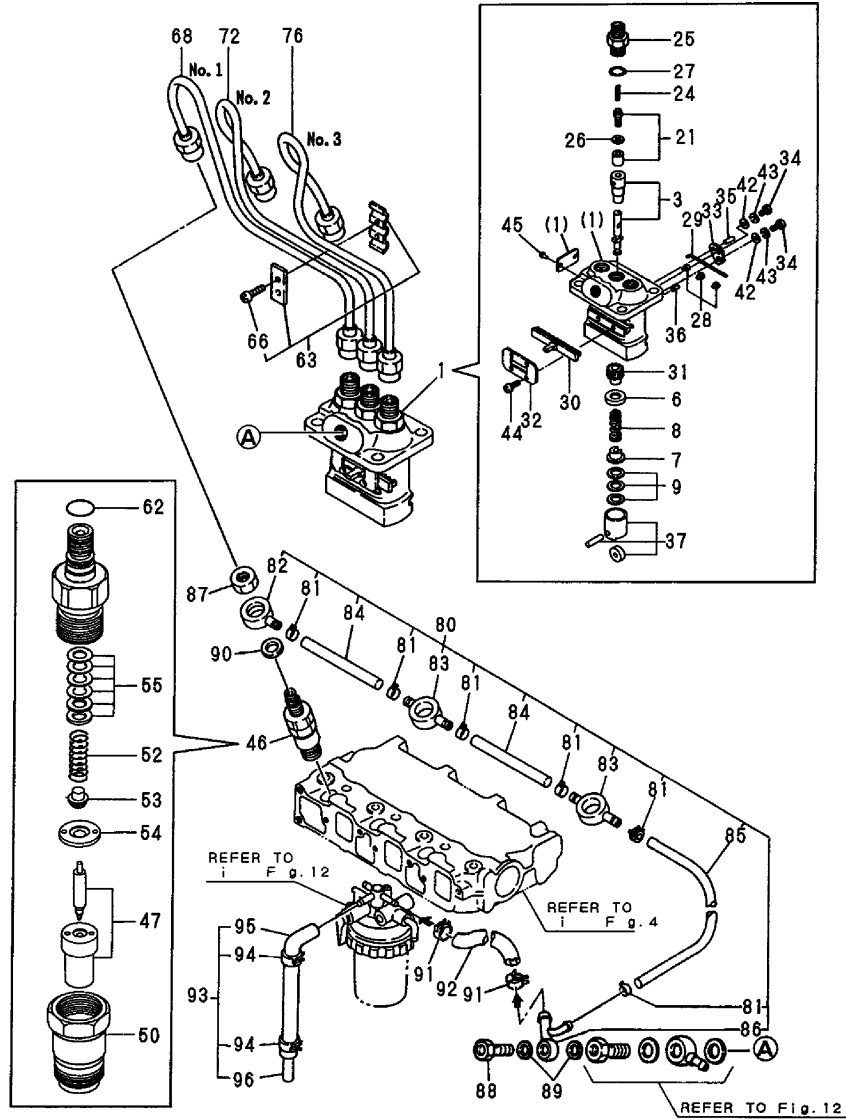
No.	Lev.	Parts No.	Description	Q'ty						I	R
				(A)	(B)	(C)	(D)	(E)	(F)		
1	1	719621-51100	PUMP ASSY, INJECTION	1	1						
3	2	119620-51101	PLUNGER ASSY	3	3						
6	2	119620-51170	RETAINER, SPRING A	3	3						
7	2	119620-51180	RETAINER, SPRING B	3	3						
8	2	119620-51190	SPRING, PLUNGER	3	3						
9	2	119620-51250	SHIM SET	3	3						
21	2	119620-51300	VALVE ASSY, DELIVERY	3	3						
24	2	105546-51330	SPRING, DELIVERY	3	3						
25	2	119620-51340	HOLDER, DELIVERY	3	3						
26	2	119620-51350	GASKET	3	3						
27	2	119620-51370	O-RING	3	3						
28	2	119620-51450	PIECE	3	3						
29	2	119620-51461	PIN	1	1						
30	2	119660-51500	RACK, CONTROL	1	1						
31	2	119620-51510	PINION	3	3						
32	2	119660-51530	RETAINER, RACK	1	1						
33	2	119620-51650	PLATE	2	2						
34	2	119620-51660	SCREW	2	2						
35	2	119620-51670	PIN	2	2						
36	2	119620-51680	PIN	1	1						
37	2	119620-51700	TAPPET ASSY	3	3						
42	2	22137-040000	WASHER, 4	2	2						
43	2	22217-040000	WASHER, SPRING 4	2	2						
44	2	26022-040082	SCREW, M4X 8	4	4						
45	2	26587-040102	SCREW, M4X10	2	2						
46	1	719620-53100	VALVE ASSY,INJECTION	3	3						
47	2	119620-53000	VALVE ASSY,INJECTION	3	3						
50	2	119620-53080	NUT, NOZZLE	3	3						
52	2	119620-53120	SPRING, NOZZLE	3	3						
53	2	114250-53130	SEAT, SPRING	3	3						
54	2	119620-53140	SPACER, VALVE STOP	3	3						
55	2	114250-53400	SHIM SET	3	3						
62	2	129155-61830	O-RING, S10	3	3						
63	1	129150-59120	RETAINER, PIPE	1	1						
66	2	129150-59131	BOLT, M4X14	2	2						
68	1	119620-59811	PIPE ASSY, INJECTION	1	1						
72	1	119620-59821	PIPE ASSY, INJECTION	1	1						
76	1	119620-59831	PIPE ASSY, INJECTION	1	1						
80	1	119642-59540	PIPE ASSY, RETURN	1	1						
81	2	124066-59100	CLIP, HOSE 8	6	6						
82	2	119260-59520	JOINT	1	1						
83	2	119260-59530	JOINT	2	2						
84	2	105025-59550	PIPE, FUEL RETURN	2	2						
85	2	119642-59550	PIPE, FUEL RETURN	1	1						
86	2	119642-59570	JOINT, OVER FLOW	1	1						
87	1	119620-59700	NUT, NOZZLE	3	3						
88	1	124550-59820	BOLT, PIPE JOINT M8	1	1						
89	1	23414-080012	GASKET, 8X1.0	2	2						
90	1	23414-140000	GASKET, 14X1.0	3	3						
91	1	124766-59050	CLIP, HOSE 12	2	2						
92	1	121250-59080	PIPE, FUEL D12X180	1	1						

Fig.11. FUEL INJECTION DEVICE

(A)=3TNA72L-UBA  
(B)=3TNA72L-UBB  
(C)=

(D)=  
(E)=  
(F)=

Fig.11 燃料噴射装置  
FUEL INJECTION DEVICE



No.	Lev.	Parts No.	Description	Q'ty						I	R
				(A)	(B)	(C)	(D)	(E)	(F)		
93	1	119840-59601	BEND	1	1						
94	2	124766-59050	CLIP, HOSE 12	2	2						
95	2	119840-59611	BEND	1	1						
96	2	119840-59621	JOINT	1	1						

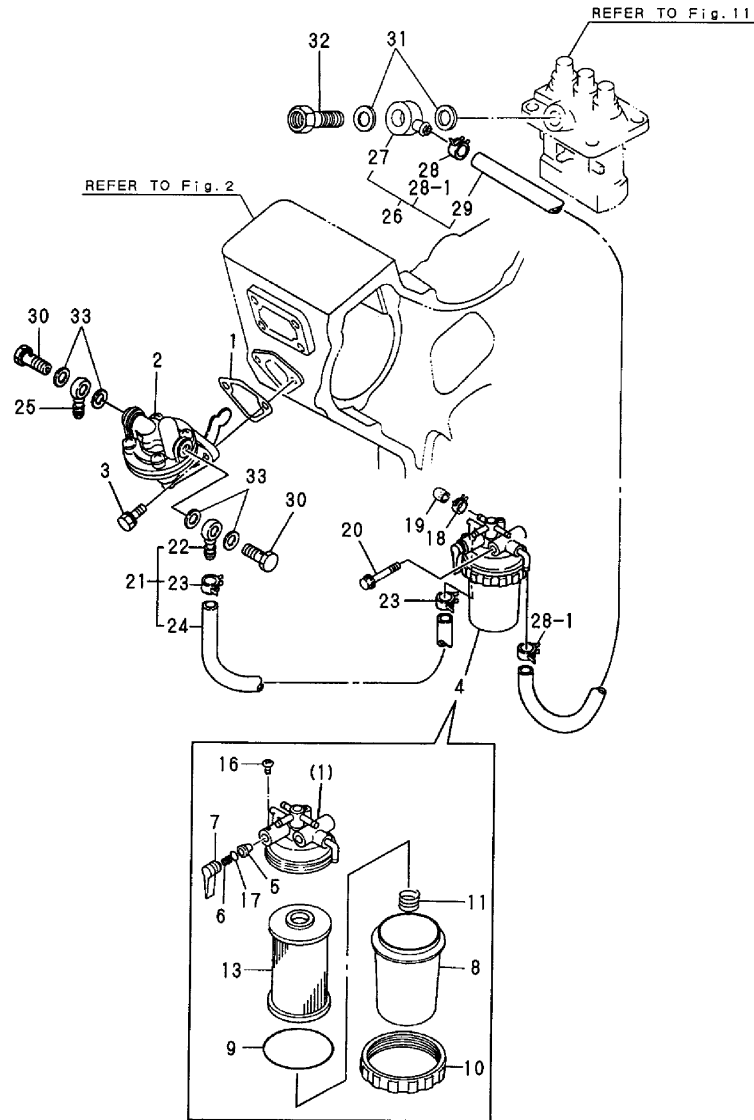


Fig.12. FUEL PIPE

(A)=3TNA72L-UBA  
(B)=3TNA72L-UBB  
(C)=

(D)=  
(E)=  
(F)=

Fig. 12 燃料パイプ  
FUEL PIPE

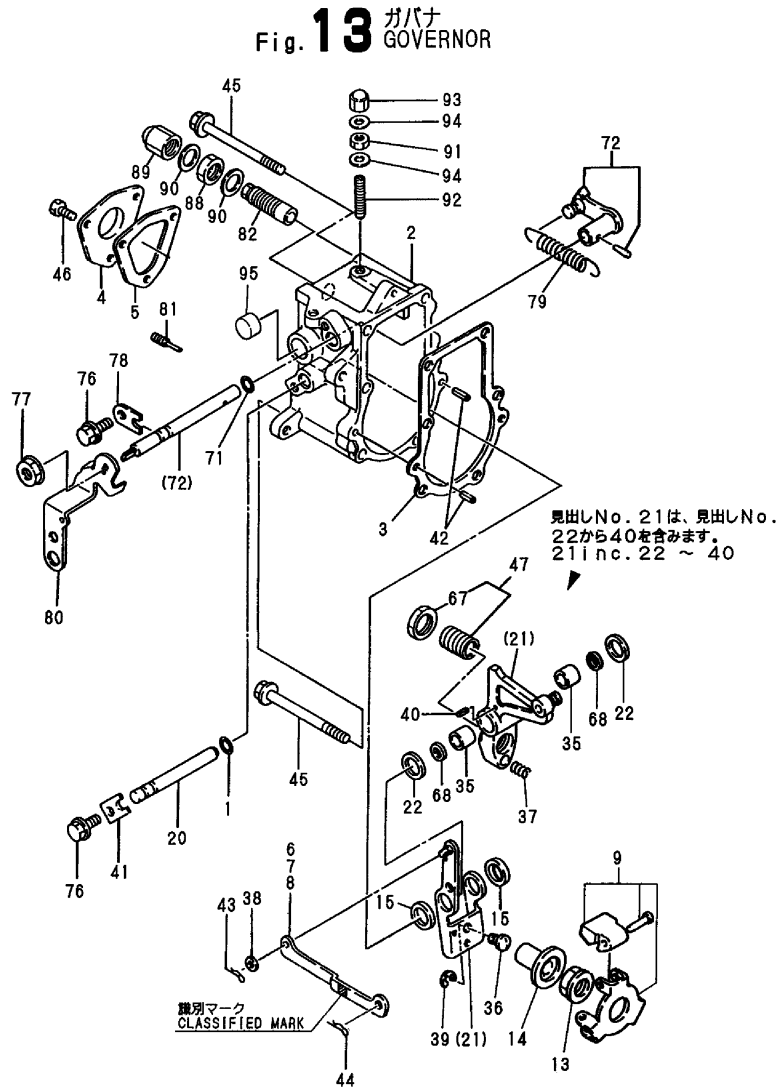


No.	Lev.	Parts No.	Description	Q'ty						I	R
				(A)	(B)	(C)	(D)	(E)	(F)		
1	1	121520-01851	GASKET	1	1						
2	1	119600-52021	PUMP ASSY, FUEL FEED	1	1						
3	1	26014-060202	BOLT, M6X 20	2	2						
4	1	119632-55620	FILTER ASSY, FUEL	1	1						
5	2	104200-55321	VALVE, TAPER	1	1						
6	2	104200-55330	SPRING, VALVE	1	1						
7	2	119810-55340	LEVER	1	1						
8	2	121254-55510	COVER	1	1						
9	2	102103-55520	O-RING	1	1						
10	2	110250-55610	RING, RETAINING	1	1						
11	2	121250-55620	SPRING	1	1						
13	2	124550-55700	FILTER, FUEL L=90	1	1						
16	2	104200-55750	SCREW, M4	1	1						
17	2	24311-240100	O-RING, 1AP10A	1	1						
18	1	124066-59100	CLIP, HOSE 8	1	1						
19	1	129150-59580	CAP	1	1						
20	1	26014-080702	BOLT, M8X 70	1	1						
21	1	119260-59020	PIPE ASSY, D12XL400	1	1						
22	2	104264-59030	JOINT, PIPE 8	1	1						
23	2	124766-59050	CLIP, HOSE 12	2	2						
24	2	121236-59080	PIPE, FUEL D12X400	1	1						
25	1	104264-59030	JOINT, PIPE 8	1	1						
26	1	124767-59031	PIPE ASSY, FUEL	1	1						
26-1	1	119260-59031	PIPE, FUEL	1	1						N
		(A=E/# C8483)	(B=E/# D6064)								
27	2	101304-59020	JOINT, PIPE 12	1	1						
28	2	124766-59050	CLIP, HOSE 12	1	1						
28-1	2	124766-59050	CLIP, HOSE 12	2	2						K
		(A=E/# C8483)	(B=E/# D6064)								
29	2	124767-59080	PIPE, FUEL	1	1						
30	1	105582-59150	BOLT, PIPE JOINT	2	2						
31	1	104200-59170	GASKET, 12	2	2						
32	1	119650-59200	BOLT, PIPE JOINT M12	1	1						
33	1	22190-080002	WASHER, SEAL 6	4	4						

Fig.13. GOVERNOR

(A)=3TNA72L-UBA  
(B)=3TNA72L-UBB  
(C)=

(D)=  
(E)=  
(F)=



No.	Lev.	Parts No.	Description	Q'ty						I	R
				(A)	(B)	(C)	(D)	(E)	(F)		
1	1	129155-51280	O-RING, S6	1	1						
2	1	119660-61013	CASE, GOVERNOR	1	1						
3	1	119660-61052	GASKET	1	1						
4	1	119660-61060	COVER, GOVERNOR CASE	1	1						
5	1	119660-61071	GASKET	1	1						
6	1	119660-61121	LINK, NO MARK	1	1						1
7	1	119660-61140	LINK, MARK :2	1	1						1
8	1	119660-61150	LINK, MARK :3	1	1						1
9	1	119600-61200	WEIGHT ASSY, GOVERNOR	1	1						
13	1	119660-61300	NUT	1	1						
14	1	119660-61341	SLEEVE	1	1						
15	1	129155-61480	SPACER ASSY	2	2						
20	1	119660-61491	SHAFT	1	1						
21	1	119656-61500	LEVER ASSY, GOVERNOR	1	1						
22	2	174307-51700	SHIM SET	2	2						
35	2	121450-61520	BEARING, NEEDLE 8	2	2						
36	2	119600-61541	SHIFTER	1	1						
37	2	119660-61651	SPRING, STARTING	1	1						
38	2	22117-040000	WASHER, 4	1	1						
39	2	22272-000040	RING, E- 4	1	1						
40	2	22351-030014	PIN, SPRING 3.0X14	1	1						
41	1	119660-61901	RETAINER, SHAFT	1	1						
42	1	22351-040010	PIN, SPRING 4.0X10	2	2						
43	1	22360-040000	PIN, SNAP 4	1	1						
44	1	22360-060000	PIN, SNAP 6	1	1						
45	1	26106-060702	BOLT, M6X 70 PLATED	6	6						
46	1	26116-050102	BOLT, M5X 10 PLATED	3	3						
47	1	119610-66700	ANGLEICH ASSY	1	1						
67	2	129155-61590	NUT, LOCK	1	1						
68	1	119660-61460	SHIM SET	1	1						
71	1	24341-000070	O-RING, 1AS7.0	1	1						
72	1	119621-66091	SHAFT ASSY	1	1						
76	1	26106-060102	BOLT, M6X 10 PLATED	2	2						
77	1	194990-22050	NUT, M8	1	1						
78	1	119600-61900	RETAINER, SHAFT	1	1						
79	1	119600-66020	SPRING, REGULATOR	1	1						
80	1	119640-66051	HANDLE, REGULATOR	1	1						
81	1	124250-03640	SCREW	1	1						
82	1	119600-66530	LIMITER ASSY, FUEL	1	1						
88	1	26776-120002	NUT, LOCK M12	1	1						
89	1	129100-61930	NUT, CAP	1	1						
90	1	22190-120002	WASHER, SEAL 12	2	2						
91	1	124550-66370	NUT, M6	1	1						
92	1	121575-66830	SCREW	1	1						
93	1	119600-66840	NUT, CAP	1	1						
94	1	22190-060003	SEAL WASER 6	2	2						
95	1	119640-61400	PLUG	1	1						

Remarks

(1)SELECTIVE PART. ; CERTAIN THE SIZE (L) OR PAINT THE PLACE YOUR ORDER. (REFER TO ILLUSTRATION).

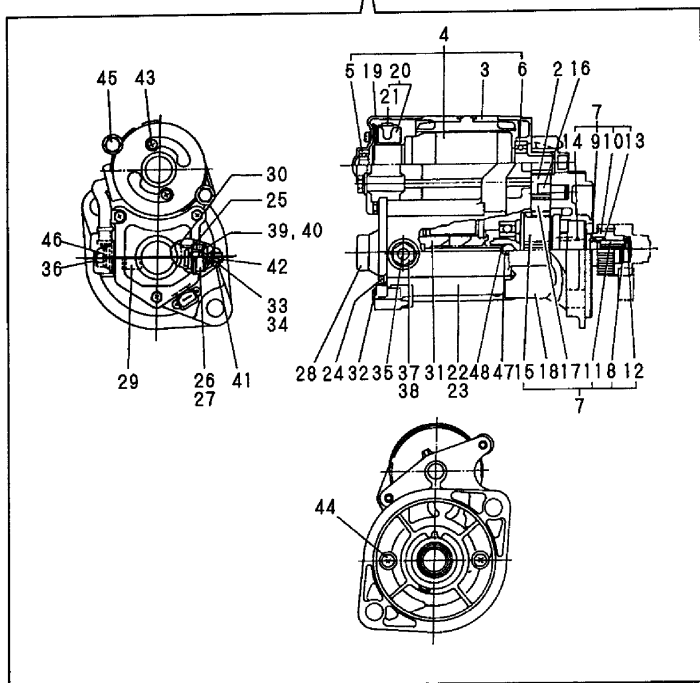
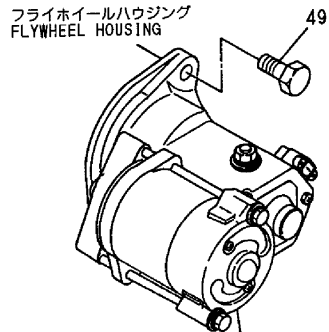
Fig.14. STARTING MOTOR

(A)=3TNA72L-UBA  
(B)=3TNA72L-UBB  
(C)=

(D)=  
(E)=  
(F)=

Fig. 14 スターティングモータ  
STARTING MOTOR

フライホイールハウジング  
FLYWHEEL HOUSING



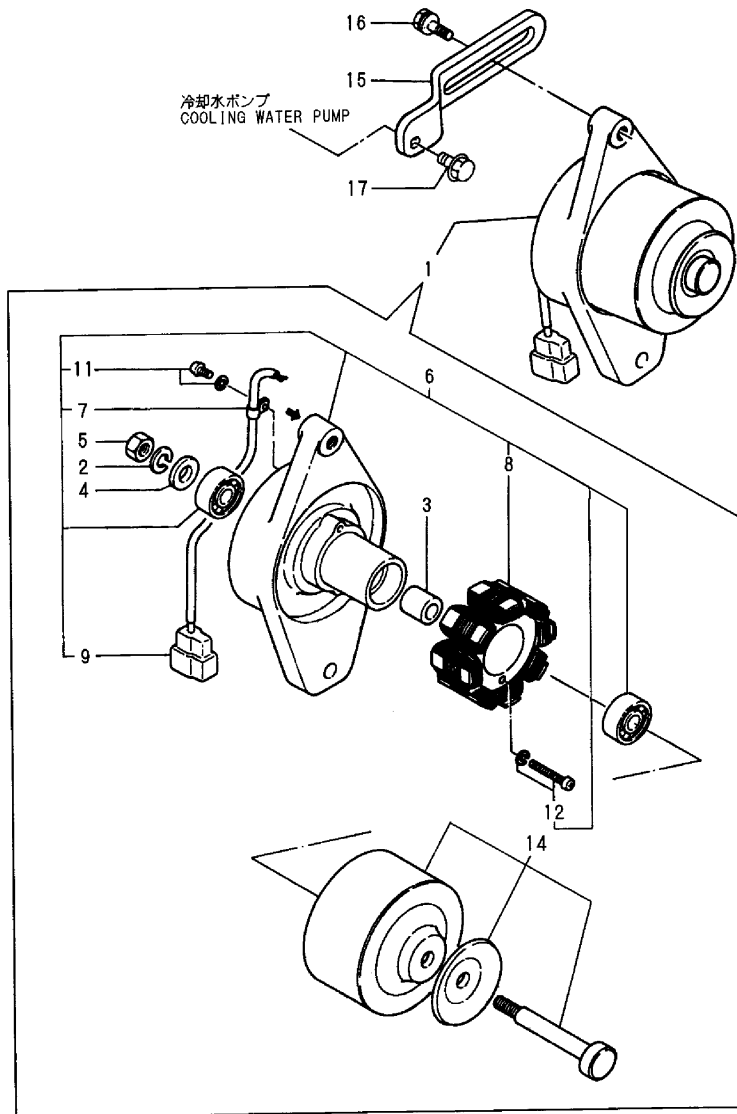
No.	Lev.	Parts No.	Description	Q'ty						I	R
				(A)	(B)	(C)	(D)	(E)	(F)		
1	1	119620-77011	STARTER	1	1						
2	2	X0280630011	RETAINER	1	1						
3	2	X0281003751	YOKE ASSY	1	1						
4	2	X0282001531	ARMATURE ASSY	1	1						
5	3	X9491001360	BEARING	1	1						
6	3	X9491001860	BEARING, BALL	1	1						
7	2	X0283005050	CLUTCH, STARTER	1	1						
8	3	X0280210230	NUT	1	1						
9	3	X0283270140	RETAINER	1	1						
10	3	X0283715030	PINION, STARTER	1	1						
11	3	X0283810040	SHAFT	1	1						
12	3	X9490721080	RING	1	1						
13	3	X9491703371	SPRING, COIL	1	1						
14	3	X9491704260	SPRING	1	1						
15	3	121120-77930	CASE ASSY, STARTER	1	1						
16	2	X0283060061	ROLLER	5	5						
17	2	X0283711420	PINION	1	1						
18	2	X0284004910	HOUSING	1	1						
19	2	X0285040631	FRAME ASSY	1	1						
20	2	X0285100460	HOLDER ASSY, BRUSH	1	1						
21	3	X9491730461	SPRING	4	4						
22	2	X0534006460	SWITCH	1	1						
23	3	X0534040320	GASKET	1	1						
24	3	X0534490120	BUSH	1	1						
25	3	X0534490120	BUSH	1	1						
26	3	X0534490230	BUSH	1	1						
27	3	X0534490230	BUSH	1	1						
28	3	X0535050620	COVER	1	1						
29	3	X0535130241	PLATE	1	1						
30	3	X0535130320	PLATE	1	1						
31	3	X0536600401	PLUNGER	1	1						
32	3	X9151005141	BOLT	3	3						
33	3	X9490170900	WASHER	1	1						
34	3	X9490170900	WASHER	1	1						
35	3	X9490441303	BOLT	1	1						
36	3	X9490441312	BOLT	1	1						
37	3	X9490502820	NUT	1	1						
38	3	X9490502820	NUT	1	1						
39	3	X9491402100	O-RING	1	1						
40	3	X9491402100	O-RING	1	1						
41	2	X9019008651	NUT	1	1						
42	2	X9025808001	WASHER	1	1						
43	2	X9490071810	SCREW	2	2						
44	2	X9490071970	SCREW	2	2						
45	2	X9490423330	BOLT	2	2						
46	2	X9490561370	NUT	1	1						
47	2	X9491200240	BALL	1	1						
48	2	X9491703380	SPRING	1	1						
49	1	26116-120252	BOLT, M12X 25 PLATED	2	2						

Fig.15. GENERATOR

(A)=3TNA72L-UBA  
(B)=3TNA72L-UBB  
(C)=

(D)=  
(E)=  
(F)=

Fig. 15 ジェネレータ  
GENERATOR



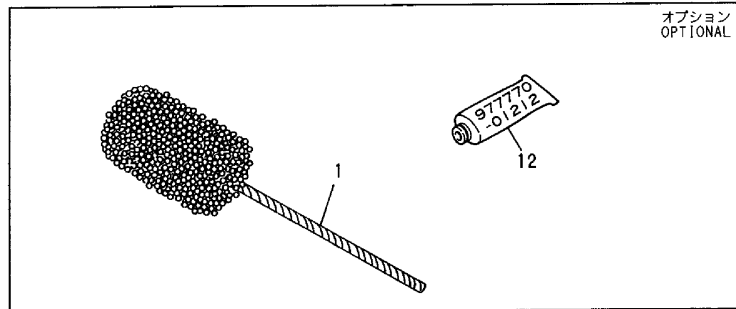
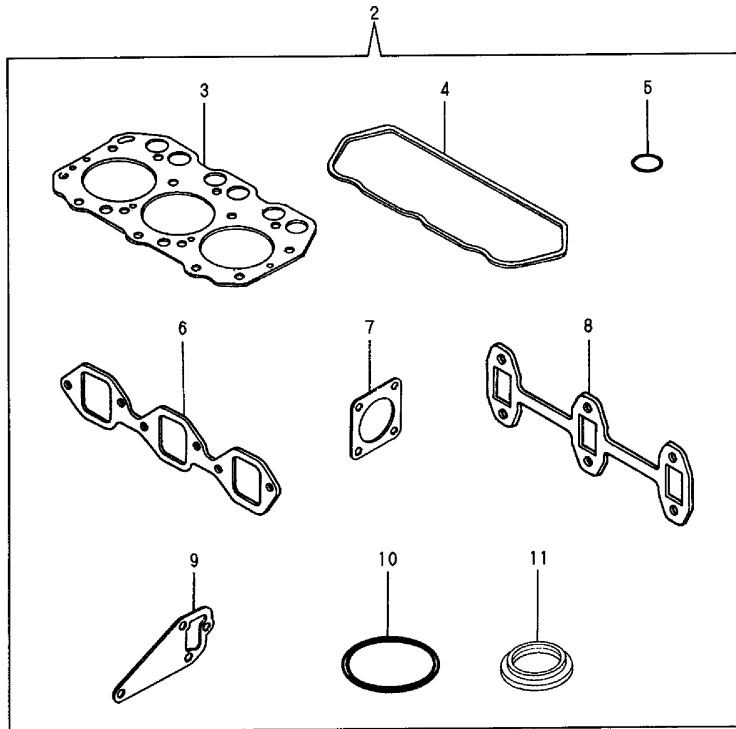
No.	Lev.	Parts No.	Description	Q'ty						I	R
				(A)	(B)	(C)	(D)	(E)	(F)		
1	1	129150-77202	GENERATOR	1	1						
2	2	XM219230000	WASHER, SPRING	1	1						
3	2	XM329830000	COLLAR	1	1						
4	2	XM860250000	WASHER, 10	1	1						
5	2	XM863720000	NUT	1	1						
6	2	129150-77210	PLATE ASSY	1	1						
7	3	XM069000000	CLAMP	1	1						
8	3	XM081780000	STATOR	1	1						
9	3	XM178780000	COUPLER	1	1						
11	3	XYSPS400800	SCREW	1	1						
12	3	XYSPS402400	SCREW	2	2						
14	2	129150-77230	FLYWHEEL ASSY	1	1						
15	1	119660-77330	ADJUSTER	1	1						
16	1	26014-080252	BOLT, M8X 25	1	1						
17	1	26106-080162	BOLT, M8X 16 PLATED	1	1						

Fig.16. GASKET SET(OPTIONAL) & TOOL

(A)=3TNA72L-UBA  
(B)=3TNA72L-UBB  
(C)=

(D)=  
(E)=  
(F)=

Fig. 16 パッキンセット (オプション) & 工具  
GASKET SET (OPTIONAL) & TOOL



No.	Lev.	Parts No.	Description	Q'ty						I	R
				(A)	(B)	(C)	(D)	(E)	(F)		
1	1	129400-92410	HONE	1	1						1
2	1	719640-92602	GASKET SET	1	1						1
3	2	119620-01342	GASKET, HEAD	1	1						
4	2	119620-11310	GASKET, BONNET	1	1						
5	2	24311-000120	O-RING, 1AP12.0	2	2						
6	2	119620-12111	GASKET, MANIFOLD	1	1						
7	2	124701-11911	GASKET, SILENCER	1	1						
8	2	119620-13110	GASKET	1	1						
9	2	119620-42020	GASKET, WATER PUMP	1	1						
10	2	24311-000320	O-RING, 1AP32.0	1	1						
11	2	22190-220002	WASHER, SEAL 22	1	1						
12	1	977770-01212	GASKET, LIQUID	1	1						1

Remarks  
(1)OPTIONAL PART.

## Parts No. Index

Parts No.	Fig. No.	Ref. No.
101304-59020	12	27
102103-55520	12	9
104200-55321	12	5
104200-55330	12	6
104200-55750	12	16
104200-59170	12	31
104211-11370	4	16
104264-59030	12	22
		25
105010-11230	4	31
		35
105025-59550	11	84
105225-23200	8	35
105546-51330	11	24
105582-59150	12	30
110250-55610	12	10
114250-53130	11	53
114250-53400	11	55
118400-03060	4	47 -1
119131-18320	6	10 -1
119209-35030	9	31
119260-59020	12	21
119260-59031	12	26 -1
119260-59520	11	82
119260-59530	11	83
119305-35170	9	17
119600-01050	1	4
119600-01600	3	14
119600-01722	3	5
119600-11450	4	18
119600-11460	4	19
119600-35081	9	30
119600-52021	12	2
119600-61200	13	9
119600-61541	13	36
119600-61900	13	78
119600-66020	13	79
119600-66530	13	82
119600-66840	13	93
119610-01490	2	1
119610-01590	2	6
119610-66700	13	47
119620-01200	1	20
119620-01342	16	3
119620-01343	1	21
119620-01620	3	8
119620-01750	3	16
119620-01800	2	8
119620-02020	1	9
119620-02410	1	18

Parts No.	Fig. No.	Ref. No.
119620-02450	7	5
119620-02800	1	10 -1
119620-02870	1	22 -1
119620-03020	4	48
119620-03031	4	49
119620-11100	4	9
119620-11110	4	10
119620-11120	4	11
119620-11180	4	12
119620-11200	4	25
119620-11240	4	26
119620-11260	4	37
119620-11280	4	38
119620-11310	4	52
	16	4
119620-11330	4	45
119620-11350	4	41
119620-11390	4	47
119620-11801	4	20
119620-12111	5	16
	16	6
119620-13110	6	6
	16	8
119620-14100	7	3
119620-14200	7	7
119620-14401	7	6
119620-21941	8	9
119620-22090	8	14
119620-22300	8	22
119620-22900	8	24
119620-22920	8	41
119620-22950	8	26
119620-22970	8	43
119620-23910	8	38
119620-25102	7	19
119620-25912	7	22
119620-42020	10	13
	16	9
119620-42320	10	10
119620-44741	10	25
119620-51101	11	3
119620-51170	11	6
119620-51180	11	7
119620-51190	11	8
119620-51250	11	9
119620-51300	11	21
119620-51340	11	25
119620-51350	11	26
119620-51370	11	27
119620-51450	11	28

Parts No.	Fig. No.	Ref. No.
119620-51461	11	29
119620-51510	11	31
119620-51650	11	33
119620-51660	11	34
119620-51670	11	35
119620-51680	11	36
119620-51700	11	37
119620-53000	11	47
119620-53080	11	50
119620-53120	11	52
119620-53140	11	54
119620-59700	11	87
119620-59811	11	68
119620-59821	11	72
119620-59831	11	76
119620-77011	14	1
119620-77820	4	58
119621-21680	8	8
119621-66091	13	72
119623-01950	2	10
119623-35080	9	30 -1
119624-02410	1	18 -1
119629-11700	4	1
119629-14580	7	1
119631-12600	5	4
119631-12650	5	11
119631-13101	6	5
119631-13500	6	2
119631-13650	6	3
119631-21590	8	11
119631-34800	9	13
119632-07900	4	22
119632-12560	5	2
119632-12590	5	1
119632-55620	12	4
119640-01640	3	3
119640-12580	5	3
119640-42290	10	14
119640-61400	13	95
119640-66051	13	80
119642-59540	11	80
119642-59550	11	85
119642-59570	11	86
119644-21200	8	4
119645-12100	5	15
119650-59200	12	32
119656-42350	10	15
119656-61500	13	21
119660-01510	2	3
119660-01551	2	24

Parts No.	Fig. No.	Ref. No.
119660-01562	2	25
119660-01570	2	26
119660-01640	3	9
119660-01821	7	8
119660-01911	2	9
119660-21651	8	7
119660-25022	7	17
119660-25052	7	18
119660-32001	9	1
119660-32020	9	11
119660-35102	9	15
119660-35113	9	16
119660-35300	9	19
119660-42005	10	1
119660-51500	11	30
119660-51530	11	32
119660-61013	13	2
119660-61052	13	3
119660-61060	13	4
119660-61071	13	5
119660-61121	13	6
119660-61140	13	7
119660-61150	13	8
119660-61300	13	13
119660-61341	13	14
119660-61460	13	68
119660-61491	13	20
119660-61651	13	37
119660-61901	13	41
119660-77330	15	15
119810-55340	12	7
119840-59601	11	93
119840-59611	11	95
119840-59621	11	96
119865-21600	8	13
121023-01550	2	30
121111-21501	8	10
121120-01620	3	15
121120-77930	14	15
121236-59080	12	24
121250-44901	10	19
121250-55620	12	11
121250-59080	11	92
121254-55510	12	8
121450-01560	2	4
121450-42450	10	18
121450-61520	13	35
121465-12510	5	6
121465-12650	5	5
121465-12660	5	9

## Parts No. Index

Parts No.	Fig. No.	Ref. No.
121465-12700	5	10
121520-01851	12	1
121520-34810	9	14
121550-49111	1	25
121575-66830	13	92
124064-12680	5	7
124064-12690	5	8
124066-59100	11	81
	12	18
124085-02220	3	11
124160-01751	2	27
	4	59
124160-11340	4	15
124160-11360	4	44
124160-39450	9	33
124250-03640	13	81
124465-44950	10	20
124550-55700	12	13
124550-59820	11	88
124550-66370	13	91
124574-44761	10	26
124701-11911	6	1
	16	7
124766-59050	11	91
		94
	12	23
		28
		28 -1
124767-59031	12	26
124767-59080	12	29
124950-11340	4	14
129100-01580	3	13
	8	6
129100-61930	13	89
129150-35350	9	27
129150-59120	11	63
129150-59131	11	66
129150-59580	12	19
129150-77202	15	1
129150-77210	15	6
129150-77230	15	14
129155-51280	13	1
129155-61480	13	15
129155-61590	13	67
129155-61830	11	62
129155-77801	4	57
129350-49530	10	21
129350-49541	10	22
129350-49800	10	23
129400-92410	16	1

Parts No.	Fig. No.	Ref. No.
129403-07900	4	21
174307-51700	13	22
194990-22050	2	17
	6	7
		8
	13	77
22117-040000	13	38
22137-040000	11	42
22190-060003	13	94
22190-080002	12	33
22190-120002	13	90
22190-220002	3	4
	16	11
22217-040000	11	43
22217-050000	4	50
22242-000120	4	39
22242-000200	7	23
22252-000210	8	23
22272-000040	13	39
22351-030014	13	40
22351-040010	2	5
	13	42
22351-060012	4	17
22360-040000	13	43
22360-060000	13	44
22512-040120	7	4
		11
	8	5
22857-500100	4	51 -1
23000-060000	5	12
23065-120700	4	55
23414-080012	11	89
23414-140000	11	90
23871-010000	1	5
23871-020000	4	5
23871-030000	10	11
24101-062034	7	14
24102-063034	7	12
24311-000120	2	18
	4	56
	16	5
24311-000160	9	28
24311-000320	2	28
	4	60
	16	10
24311-240100	12	17
24341-000070	13	71
24341-000240	2	31
26014-060202	12	3
26014-060252	10	16

Parts No.	Fig. No.	Ref. No.
26014-080202	5	13
	6	4
26014-080252	15	16
26014-080702	12	20
26022-040082	11	44
26106-060102	9	32
	13	76
26106-060122	1	19
	3	6
	4	24
	7	24
26106-060162	2	19
		32 -1
	7	15
26106-060182	2	32
26106-060202	5	17
26106-060222	3	12
26106-060302	2	20
26106-060452	3	7
26106-060602	2	21
		22
26106-060702	13	45
26106-060802	2	23
26106-080142	4	23
26106-080162	15	17
26106-080202	9	29
	10	24
26106-080402	6	9
26106-080452	4	42
	10	17
26116-050102	13	46
26116-120252	14	49
26206-100252	3	17
26216-080222	6	10
26216-080552	6	11
26366-060002	2	29
26366-080002	4	43
	5	14
	6	7 -1
		8 -1
26450-060202	9	12
26557-050102	4	51
26587-040102	11	45
26587-080102	7	16
26756-060002	4	32
		36
26776-120002	13	88
26856-060002	4	32 -1
		36 -1
26979-050162	4	40

Parts No.	Fig. No.	Ref. No.
27221-050080	4	6
27231-450000	1	6
27241-120000	1	7
27241-300000	1	8
27241-400000	4	7
27310-070001	4	13
719610-01560	1	1
719620-02800	1	10
719620-02870	1	22
719620-02930	1	13
719620-11650	4	29
719620-11660	4	33
719620-22500	8	16
719620-23100	8	32
719620-23600	8	36
719620-23610	8	39
719620-53100	11	46
719621-51100	11	1
719631-01540	3	1
719640-92602	16	2
719660-14590	7	9
719660-21700	8	1
977770-01212	16	12
X0280210230	14	8
X0280630011	14	2
X0281003751	14	3
X0282001531	14	4
X0283005050	14	7
X0283060061	14	16
X0283270140	14	9
X0283711420	14	17
X0283715030	14	10
X0283810040	14	11
X0284004910	14	18
X0285040631	14	19
X0285100460	14	20
X0534006460	14	22
X0534040320	14	23
X0534490120	14	24
		25
X0534490230	14	26
		27
X0535050620	14	28
X0535130241	14	29
X0535130320	14	30
X0536600401	14	31
X9019008651	14	41
X9025808001	14	42
X9151005141	14	32
X9490071810	14	43

# Parts No. Index

Parts No.	Fig. No.	Ref. No.
X9490071970	14	44
X9490170900	14	33
		34
X9490423330	14	45
X9490441303	14	35
X9490441312	14	36
X9490502820	14	37
		38
X9490561370	14	46
X9490721080	14	12
X9491001360	14	5
X9491001860	14	6
X9491200240	14	47
X9491402100	14	39
		40
X9491703371	14	13
X9491703380	14	48
X9491704260	14	14
X9491730461	14	21
XM069000000	15	7
XM081780000	15	8
XM178780000	15	9
XM219230000	15	2
XM329830000	15	3
XM860250000	15	4
XM863720000	15	5
XYSPS400800	15	11
XYSPS402400	15	12

Parts No.	Fig. No.	Ref. No.
-----------	----------	----------

Parts No.	Fig. No.	Ref. No.
-----------	----------	----------

Parts No.	Fig. No.	Ref. No.
-----------	----------	----------