

0CB10-M58701EN

Directions for the Parts Catalog.

1. This Parts Catalog shows both standard and optional parts.
2. Parts may change without prior notice.
3. The following is an example of the Parts Catalog format.

REF.	LEV.	PARTS NO.	DESCRIPTION	Q'TY						I	R
				(A)	(B)	(C)	(D)	(E)	(F)		
1	1	729595-51390	FUEL INJECTION PUMP	1	1	1	1	1			1
1-1	1	729595-51391	FUEL INJECTION PUMP	1	1	1	1	1		N	1
		(A=E00185) (B=E00200)									
3	2	26022-060162	SCREW M 6X 16	9	9	9	9	9			
3-1	2	26022-060162	SCREW M 6X 16	4	4	4	4	4		K	
		(A=E00156) (B=E00156) (C=E00156) (D=E00156) (E=E00156)									
4	2	129470-51040	CAMSHAFT	1	1	1	1	1			
5	2	122710-51050	BEARING, ROLLER	2	2	2	2	2			
6	2	129470-51060	RETAINER	1	1	1	1	1			

Remarks
(1) BOOST COMPEMSATOR TYPE. OPTIONAL PART, TO E00155,(4JH-DT, 4JH-DTZ

① Ref. No.

The Ref. No. listed may not be in accordance with the illustration Ref. No.

(Ex.) Illustration No.

List Ref No.

1

1

(Before change)

1-1

(After change)

For interchangeable symbols N, R and K, illustrations for new parts may be abbreviated.

② Lev. (Level)

Level indication

The numbers below indicate the level of relativity towards the main part.

1 ----- Main parts (Assembly parts)

2 ----- Sub component included in " 1 ".

3 ----- Sub component included in " 2 ".

Note) Parts that are not for sale are partially illustrated but not listed.

③ Interchangeability Symbol

When a part change takes place, one of the following interchangeability symbols is indicated beside the part.

Symbol	Interchangeability	Contents note
N	Old $\begin{matrix} \leftarrow \text{Yes} \\ \text{No} \rightarrow \end{matrix}$ New	New Part is interchangeable for Old Part but Old Part is not interchangeable for New Part.
Q	Old $\begin{matrix} \leftarrow \text{No} \\ \text{Yes} \rightarrow \end{matrix}$ New	New Part is not interchangeable for Old Part but Old Part is interchangeable for New Part.
R	Old $\begin{matrix} \leftarrow \text{Yes} \\ \text{Yes} \rightarrow \end{matrix}$ New	New/ Old Parts are both interchangeable.
S	Old $\begin{matrix} \leftarrow \text{No} \\ \text{No} \rightarrow \end{matrix}$ New	New/ Old Parts are both not interchangeable.
W		Part newly added.
Z		Part discontinued.
F		Not interchangeable by a single part but interchangeable together with related parts.
K		Changes only for used parts quantities.

④ Effective Machine No.

When a part changes, the effective Machine No. will be indicated in the (A)-(F) column.

Product Symbol	Product No.	Product Symbol	Product No.
C	Clutch No. Compressor No.	F	Machine No. (Agricultural Equip.)
D	Drive No.	M	Machine No.
E	Engine No.		

Note 1) A date may follow the symbol. (Ex.) 1996.01

Note 2) "XXXXX" and "ZZZZZ" are for parts that could not be predicted or for engine models that could not be identified.

Note 3) (A=E00185) is the E (Engine Serial Number) for the column (A) model (in this case 4JH-DT) after the parts design change.

⑤ Remarks

Figures or alphabets (symbols) are entered in the remarks column.

The comments (remarks) on parts that are indicated at the bottom of the illustration are the same symbols as those stated above.

Contents

OCB10-M58701

Fig. No. Fig. Name

Fig. No. Fig. Name

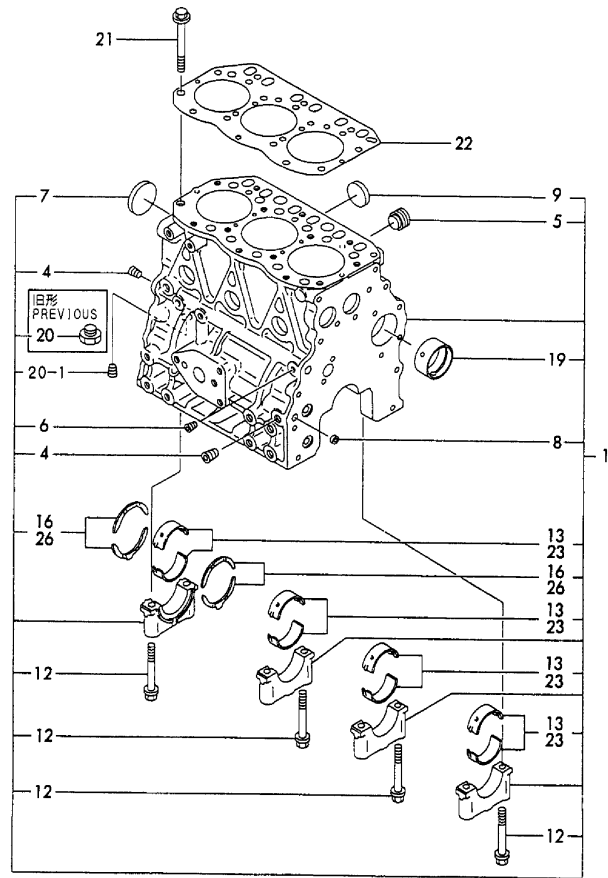
ENGINE 3TNE78A-B1

1. CYLINDER BLOCK
2. GEAR HOUSING
3. FLYWHEEL HOUSING&LUB.OIL SUMP
4. CYLINDER HEAD & BONNET
5. SUCTION MANIFOLD & AIR CLEANER
6. EXHAUST MANIFOLD & SILENCER
7. CAMSHAFT & DRIVING GEAR
8. CRANKSHAFT & PISTON
9. LUB.OIL SYSTEM
10. COOLING WATER SYSTEM
11. FUEL INJECTION PUMP
12. GOVERNOR
13. FUEL INJECTION PIPE
14. FUEL OIL PIPE
15. STARTING MOTOR
16. GENERATOR
17. GASKET SET & TOOLS

Fig.1. CYLINDER BLOCK

(A)=3TNE78A-B1
(B)=
(C)=

(D)=
(E)=
(F)=



No.	Lev.	Parts No.	Description	Q'ty						I	R
				(A)	(B)	(C)	(D)	(E)	(F)		
1	1	719822-01560	BLOCK ASSY, CYLINDER	1							
4	2	124160-01910	PLUG, PT1/4	2							
5	2	171051-01921	PLUG, NPTF1	1							
6	2	23871-010000	PLUG, R01	1							
7	2	27231-500000	PLUG 50	1							
8	2	27241-120000	PLUG, 12	2							
9	2	27241-300000	PLUG 30	6							
12	2	119620-02020	BOLT, METAL CAP	8							
13	2	119810-02800	BEARING, MAIN	4							
16	2	119810-02930	BEARING, THRUST	1							
19	2	129795-02411	BUSH, CAMSHAFT	1							
20	2	23887-120002	PLUG, 12	1							
20-1	2	124160-01910	PLUG, PT1/4	1							S
(A=E/#14543)											
21	1	119810-01200	BOLT, HEAD	14							
22	1	119818-01330	GASKET, HEAD	1							A
23	1	119810-02870	BEARING, 0.25 US	4							1
26	1	119810-02940	BEARING, THRUST 0.25	2							2

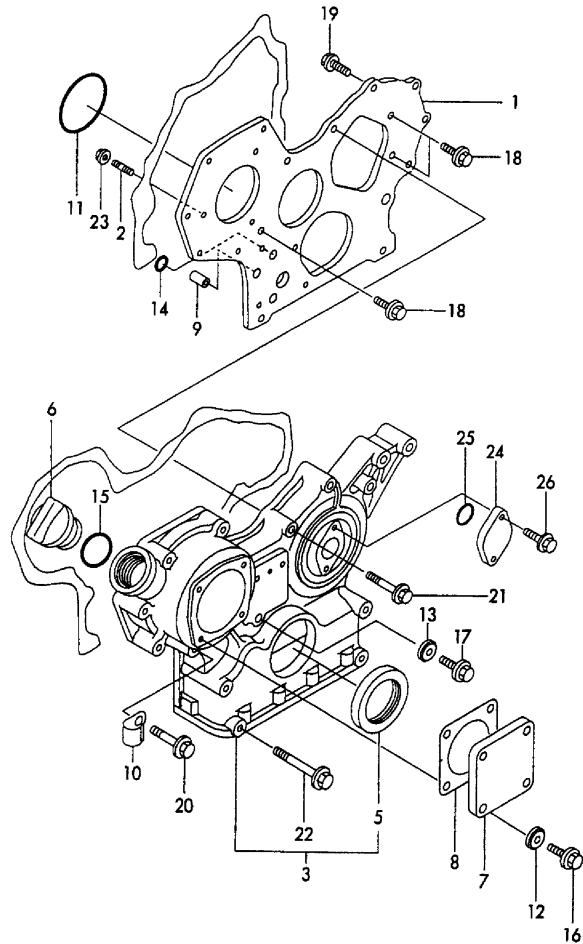
Remarks

- (1) UNDER-SIZE(U.S=0.25)PART.
- (2) OVER-SIZE(O.S=0.25)PART.
- (A) THESE PART ARE ALSO SOLD BY FIG 17.REF NO.1 (GASKET SET.P/# 719910-92610).

Fig.2. GEAR HOUSING

(A)=3TNE78A-B1
(B)=
(C)=

(D)=
(E)=
(F)=



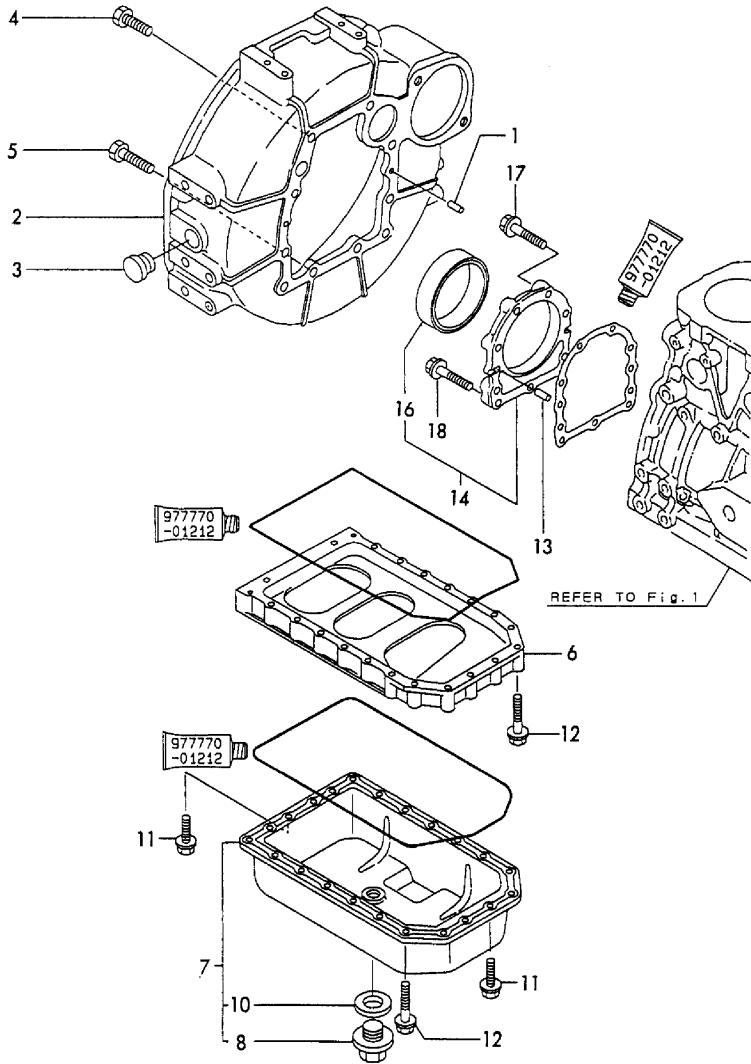
No.	Lev.	Parts No.	Description	Q'ty						I	R
				(A)	(B)	(C)	(D)	(E)	(F)		
1	1	129400-01520	FLANGE, GEAR CASE	1							
2	1	121450-01560	STUD, M8X22	3							
3	1	719810-01500	CASE ASSY, GEAR	1							
5	2	129795-01800	SEAL, OIL	1							
6	1	124160-01751	COVER, FILLER	1							
7	1	124240-01871	COVER	1							
8	1	124240-01883	GASKET	1							A
9	1	129795-01950	PIPE, KNOCK L=18	2							
10	1	129150-03100	RETAINER, PIPE	1							
11	1	121850-51960	O-RING	1							A
12	1	22190-080002	WASHER, SEAL 6	4							
13	1	22190-080002	WASHER, SEAL 6	1							
14	1	24311-000160	O-RING, 1AP16.0	2							A
15	1	24311-000320	O-RING, 1AP32.0	1							A
16	1	26106-080122	BOLT, M8X 12 PLATED	4							
17	1	26106-080162	BOLT, M8X 16 PLATED	1							
18	1	26106-080162	BOLT, M8X 16 PLATED	3							
19	1	26106-080202	BOLT, M8X 20 PLATED	2							
20	1	26106-080452	BOLT, M8X 45 PLATED	6							
21	1	26106-080552	BOLT, M8X 55 PLATED	3							
22	1	26106-080852	BOLT, M8X 85 PLATED	4							
22-1	1	129001-91840	BOLT, M8X85	4							N
(A=E/#18361)											
23	1	26366-080002	NUT, M8	3							
24	1	121023-01550	COVER	1							
25	1	24341-000240	O-RING, 1AS24.0	1							A
26	1	26106-060122	BOLT, M6X 12 PLATED	2							
26-1	1	26106-060162	BOLT, M6X 16 PLATED	2							N
(A=E/XXX)											

Remarks
(A) THESE PART ARE ALSO SOLD BY
FIG 17.REF NO.1
(GASKET SET.P/# 719910-92610).

Fig.3. FLYWHEEL HOUSING&LUB.OIL SUMP

(A)=3TNE78A-B1
(B)=
(C)=

(D)=
(E)=
(F)=

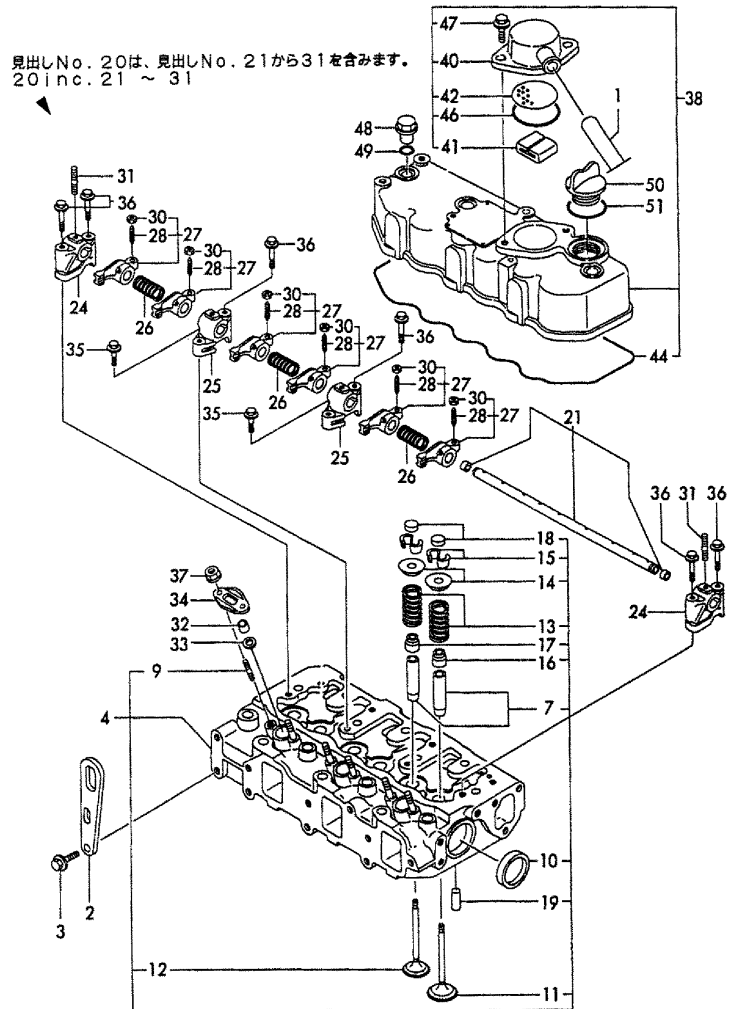


No.	Lev.	Parts No.	Description	Q'ty						I	R
				(A)	(B)	(C)	(D)	(E)	(F)		
1	1	129100-01580	PIN, M8X16	2							
2	1	171301-01600	HOUSING, FLYWHEEL	1							
2-1	1	129612-01600	HOUSING, FLYWHEEL	1							N
(A=FROM 1ST)											
3	1	119620-01750	CAP	1							
4	1	26206-100252	BOLT, M10X 25 PLATED	6							
5	1	26206-100302	BOLT, M10X 30 PLATED	4							
6	1	119810-01730	SPACER, OIL SUMP	1							
7	1	119810-01790	SUMP ASSY, OIL	1							
8	2	119640-01640	PLUG, DRAIN M22	1							
10	2	22190-220002	WASHER, SEAL 22	1							
11	1	26106-080162	BOLT, M8X 16 PLATED	6							
12	1	26106-080452	BOLT, M8X 45 PLATED	22							
13	1	129100-01580	PIN, M8X16	2							
14	1	719810-01650	CASE ASSY, OIL SEAL	1							
16	2	119810-01780	SEAL, 769310	1							
17	1	129486-01670	BOLT, M8X30	6							
18	1	26106-080352	BOLT, M8X 35 PLATED	3							

Fig.4. CYLINDER HEAD & BONNET

(A)=3TNE78A-B1
(B)=
(C)=

(D)=
(E)=
(F)=



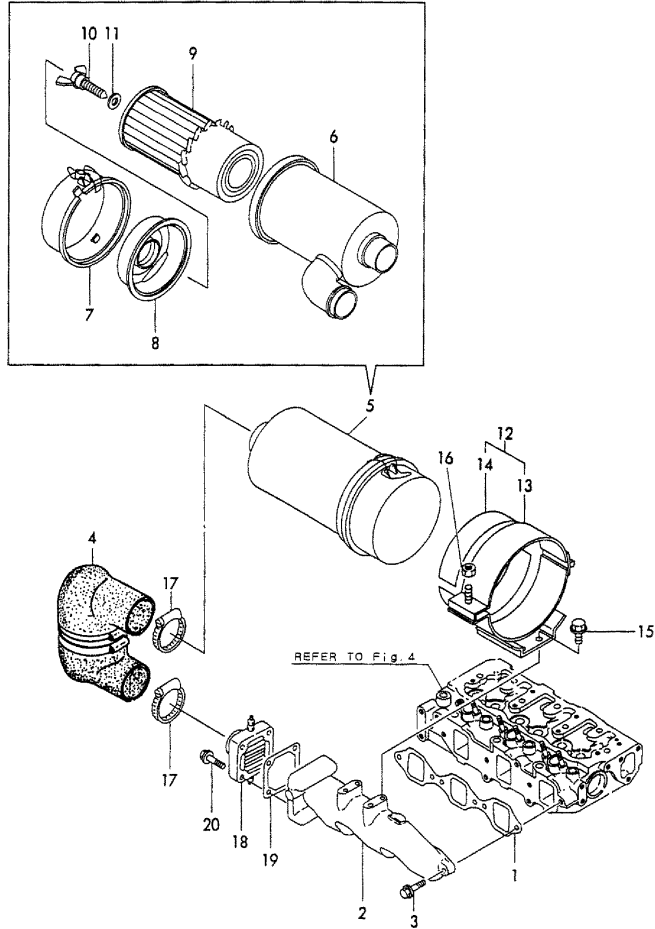
No.	Lev.	Parts No.	Description	Q'ty						I	R
				(A)	(B)	(C)	(D)	(E)	(F)		
1	1	119856-03090	PIPE , BREATHER	1							
2	1	124736-07900	LIFTER	1							
3	1	26106-080142	BOLT, M8X 14 PLATED	2							
4	1	119812-11700	HEAD ASSY, CYLINDER	1							
7	2	124060-11800	GUIDE, VALVE	6							1
9	2	26216-060302	STUD, M6X 30	6							
10	2	27241-400000	PLUG, 40	2							
11	2	119810-11100	VALVE, INTAKE	3							
12	2	119810-11110	VALVE, EXHAUST	3							
13	2	119810-11120	SPRING, VALVE	6							
14	2	104211-11180	RETAINER, SPRING	6							
15	2	27310-070001	COTTER, 7	6							N
(A=EXXXXX)											
16	2	124160-11340	SEAL, VALVE STEM	3							A
17	2	124950-11340	SEAL, VALVE STEM	3							A
18	2	104211-11370	CAP, VALVE	6							
19	2	22351-060012	PIN, SPRING 6.0X12	2							
20	1	119865-11210	SUPPORT ASSY	1							
21	2	119810-11240	SHAFT ASSY, ROCKER	1							
24	2	129155-11260	SUPPORT, ROCKER ARM	2							
25	2	129155-11270	SUPPORT, ROCKER ARM	2							
26	2	129150-11280	SPRING	3							
27	2	719810-11660	ARM ASSY, ROCKER	6							
28	3	129150-11230	SCREW, VALVE ADJUST	6							
30	3	129150-11750	NUT, M8	6							
31	2	26226-080182	STUD, M8X 18	3							
32	1	119625-11871	PROTECTOR, NOZZLE	3							A
32-1	1	119625-11870	PROTECTOR, NOZZLE	3							N A
(A=E/#14543)											
33	1	119625-11880	SEAT, NOZZLE	3							A
34	1	119625-11900	RETAINER, NOZZLE	3							
35	1	26106-080252	BOLT, M8X 25 PLATED	2							
36	1	26106-080502	BOLT, M8X 50 PLATED	6							
37	1	26366-060002	NUT, M6	6							
38	1	719810-11520	BONNET ASSY, HEAD	1							
40	2	129150-03020	COVER, BREATHER	1							
41	2	129150-03070	BAFFLE, BREATHER	1							
42	2	129150-03080	PLATE, BAFFLE	1							
44	2	119865-11310	GASKET, BONNET	1							A
46	2	24341-000500	O-RING, 1AS50.0	1							A
47	2	26106-080162	BOLT, M8X 16 PLATED	2							
48	1	124160-11360	KNOB	3							
49	1	24311-000120	O-RING, 1AP12.0	3							A
50	1	124160-01751	COVER, FILLER	1							
51	1	24311-000320	O-RING, 1AP32.0	1							

Remarks
(1)REPAIR PART.
(A)THESE PART ARE ALSO SOLD BY
FIG 17.REF NO.1
(GASKET SET.P/# 719910-92610).

Fig.5. SUCTION MANIFOLD & AIR CLEANER

(A)=3TNE78A-B1
(B)=
(C)=

(D)=
(E)=
(F)=



No.	Lev.	Parts No.	Description	Q'ty						I	R
				(A)	(B)	(C)	(D)	(E)	(F)		
1	1	119810-12111	GASKET, MANIFOLD	1							A
2	1	171301-12701	MANIFOLD, AIR INTAKE	1							
3	1	26106-080252	BOLT, M8X 25 PLATED	4							
4	1	119831-12200	SILENCER	1							
5	1	119831-12520	CLEANER ASSY, AIR	1							1
6	2	119831-12650	CASE ASSY	1							
7	2	121465-12660	PAN, DUST	1							
8	2	121465-12541	RETAINER, ELEMENT	1							M
8-1	2	121465-12700	RETAINER, ELEMENT	1							
9	2	121465-12900	ELEMENT	1							M
9-1	2	121465-12510	ELEMENT	1							
10	2	124064-12561	BOLT	1							M
10-1	2	124064-12680	BOLT	1							
11	2	124064-12690	WASHER	1							
11A	1	172125-03950	LABEL, AIR CLEANER	1							2
12	1	119632-12590	SUPPORT ASSY,CLEANER	1							
13	2	119632-12560	SUPPORT	1							
14	2	119640-12580	SEAT, RUBBER	2							
15	1	26014-080202	BOLT, M8X 20	4							
16	1	26366-080002	NUT, M8	1							
17	1	23000-060000	CLAMP, 60	2							
18	1	129120-77501	HEATER	1							
19	1	129150-77511	GASKET	1							A
20	1	26106-080352	BOLT, M8X 35 PLATED	4							

Remarks

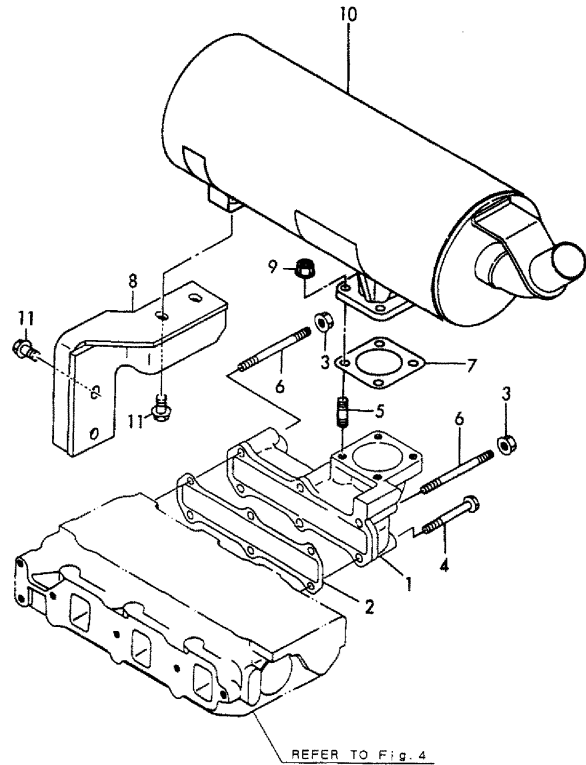
(A) THESE PART ARE ALSO SOLD BY
FIG 17.REF NO.1
(GASKET SET.P/# 719910-92610).

(M) MISPRINT.
(1) PLEASE USE THIS PART WITH FOLLOW-
ING LABELS AT THE SAME TIME.
REF. NO. 11A.
(2) LABELS ARE NOT ILLUSTRATED.

Fig.6. EXHAUST MANIFOLD & SILENCER

(A)=3TNE78A-B1
(B)=
(C)=

(D)=
(E)=
(F)=



No.	Lev.	Parts No.	Description	Q'ty						I	R
				(A)	(B)	(C)	(D)	(E)	(F)		
1	1	119813-13100	MANIFOLD, EXHAUST	1							
2	1	119813-13110	GASKET	1							A
3	1	194990-22050	NUT, M8	2							
3-1	1	26366-080002 (A=E/#18869)	NUT, M8	2							R
4	1	26106-080602	BOLT, M8X 60 PLATED	4							
5	1	26216-080222	STUD, M8X 22	4							
5-1	1	119131-18320 (A=E/#14282)	STUD, M8X22	4							N
6	1	26216-080602	STUD, M8X 60	2							
7	1	124701-11911	GASKET, SILENCER	1							A
8	1	119836-13650	STAY, SILENCER	1							
9	1	194990-22050	NUT, M8	4							
9-1	1	26366-080002 (A=E/#18869)	NUT, M8	4							R
10	1	119831-13520	SILENCER	1							
11	1	26014-080202	BOLT, M8X 20	4							

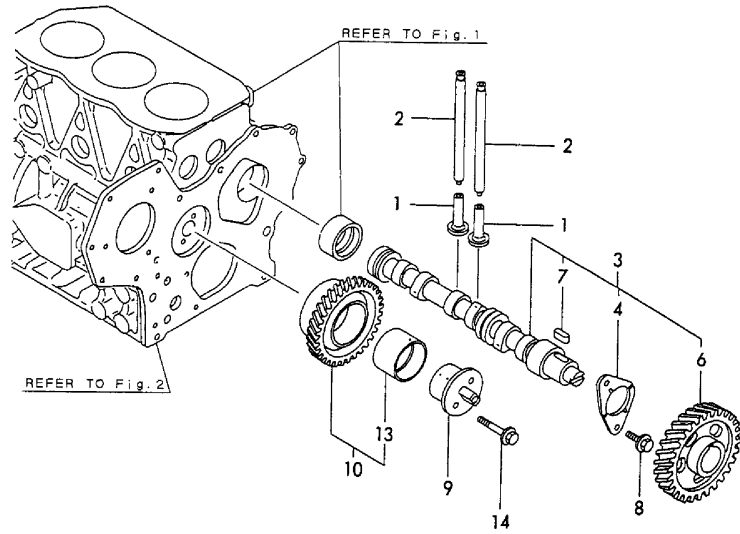
Remarks

(A) THESE PART ARE ALSO SOLD BY
FIG 17.REF NO.1
(GASKET SET.P/# 719910-92610).

Fig.7. CAMSHAFT & DRIVING GEAR

(A)=3TNE78A-B1
(B)=
(C)=

(D)=
(E)=
(F)=



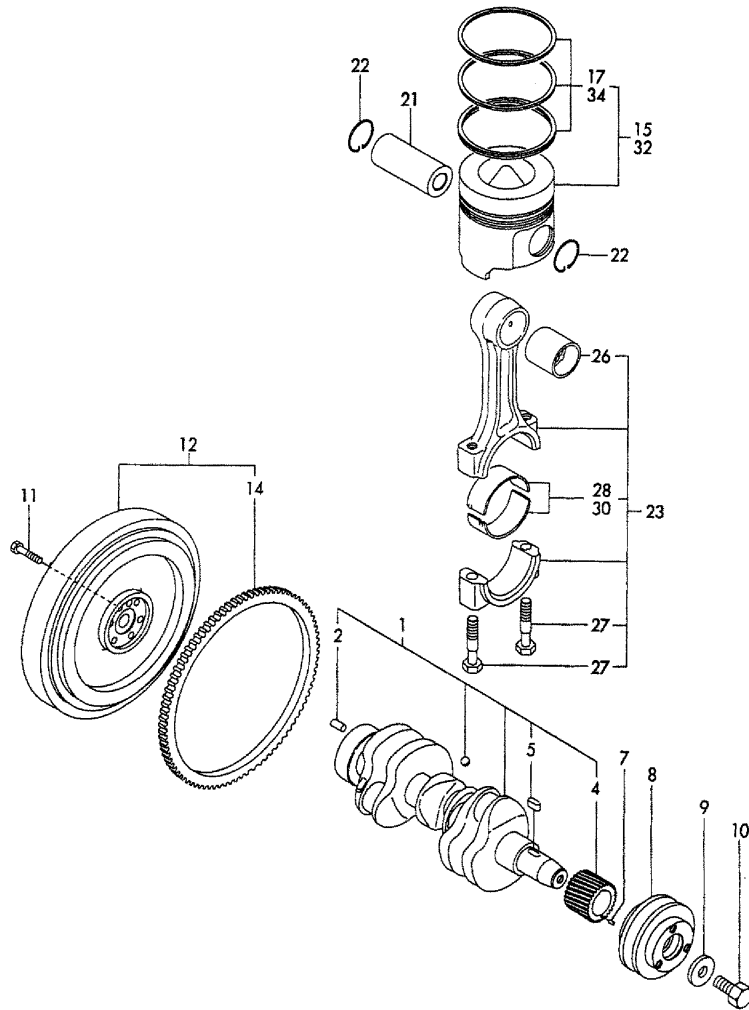
No.	Lev.	Parts No.	Description	Q'ty						I	R
				(A)	(B)	(C)	(D)	(E)	(F)		
1	1	129150-14200	TAPPET	6							
2	1	119810-14400	ROD, PUSH	6							
3	1	119810-14580	CAMSHAFT ASSY	1							
4	2	129150-02450	BEARING, THRUST	1							
6	2	129150-14101	GEAR, CAMSHAFT	1							
7	2	22512-070140	KEY, 7X 14	1							
8	1	26106-080142	BOLT, M8X 14 PLATED	2							
9	1	129100-25061	SHAFT, IDLE	1							
10	1	129150-25101	GEAR ASSY, IDLE	1							
13	2	129150-25920	BUSH, IDLE GEAR	1							1
14	1	26106-080452	BOLT, M8X 45 PLATED	2							

Remarks
(1) REPAIR PART.

Fig.8. CRANKSHAFT & PISTON

(A)=3TNE78A-B1
(B)=
(C)=

(D)=
(E)=
(F)=



No.	Lev.	Parts No.	Description	Q'ty						I	R
				(A)	(B)	(C)	(D)	(E)	(F)		
1	1	119813-21000	CRANKSHAFT ASSY	1							
2	2	129100-01580	PIN, M8X16	1							
4	2	129150-21200	GEAR, CRANKSHAFT	1							
5	2	22512-070140	KEY, 7X 14	1							
7	1	22351-040010	PIN, SPRING 4.0X10	1							
8	1	171301-21650	V-PULLEY	1							
9	1	129795-21661	WASHER	1							
10	1	121850-21680	BOLT	1							
11	1	121111-21501	BOLT, FLYWHEEL	6							
12	1	171325-21590	FLYWHEEL ASSY	1							
14	2	119865-21600	GEAR, RING	1							
15	1	119818-22080	PISTON ASSY	3							
17	2	119818-22500	RING SET, PISTON	3							
21	1	119813-22300	PIN, PISTON	3							
22	1	129792-22400	CIRCLIP, 23	6							
23	1	719810-23100	ROD ASSY, CONNECTING	3							
26	2	119810-23910	BEARING, PISTON PIN	3							1
27	2	119810-23200	BOLT, CONNECTING ROD	6							
28	2	119810-23600	BEARING, CRANK PIN	3							
30	1	119810-23610	BEARING, 0.25 US	3							2
32	1	119818-22900	PISTON ASSY, 0.25 OS	3							3
34	2	119818-22950	RING SET, 0.25 OS	3							3

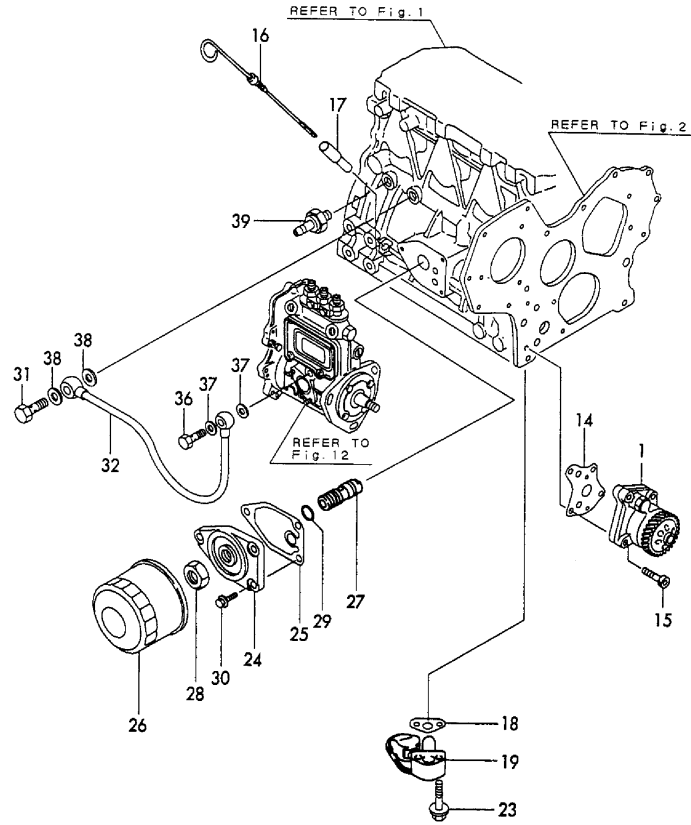
Remarks

- (1) REPAIR PART.
- (2) UNDER-SIZE(U.S=0.25)PART.
- (3) OVER-SIZE(O.S=0.25)PART.

Fig.9. LUB.OIL SYSTEM

(A)=3TNE78A-B1
(B)=
(C)=

(D)=
(E)=
(F)=

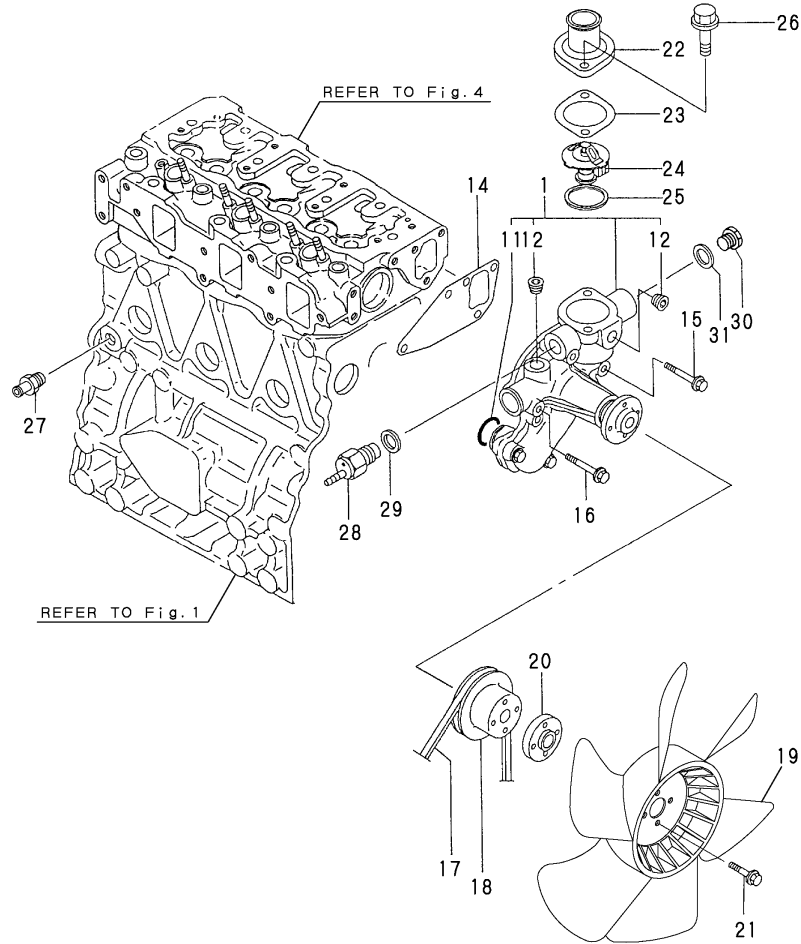


No.	Lev.	Parts No.	Description	Q'ty						I	R
				(A)	(B)	(C)	(D)	(E)	(F)		
1	1	129001-32001	PUMP ASSY, OIL	1							
14	1	129150-32020	GASKET, PUMP	1							A
15	1	26450-060252	BOLT, M6X 25	4							
16	1	119812-34800	DIPSTICK, OIL	1							
17	1	121520-34810	GUIDE, DIPSTICK	1							
18	1	129150-35041	GASKET	1							A
19	1	119810-35401	PIPE ASSY, OIL INLET	1							
23	1	26106-080352	BOLT, M8X 35 PLATED	2							
24	1	129150-35101	BRACKET, STRAINER	1							
25	1	129150-35111	GASKET	1							A
26	1	129150-35151	FILTER, D80XL80	1							
27	1	129001-35300	BOLT, FILTER	1							
28	1	129150-35350	NUT	1							
29	1	24311-000160	O-RING, 1AP16.0	1							A
30	1	26106-080202	BOLT, M8X 20 PLATED	3							
31	1	124160-39140	BOLT, PIPE JOINT M10	1							
32	1	119810-39200	PIPE ASSY, OIL	1							
36	1	124550-59820	BOLT, PIPE JOINT M8	1							
37	1	22190-080002	WASHER, SEAL 6	2							
38	1	23414-100000	GASKET, 10X1.0	2							A
39	1	124160-39450	SWITCH, 0.5KG	1							

Remarks

(A) THESE PART ARE ALSO SOLD BY
FIG 17.REF NO.1
(GASKET SET.P/# 719910-92610).

Fig.10. COOLING WATER SYSTEM

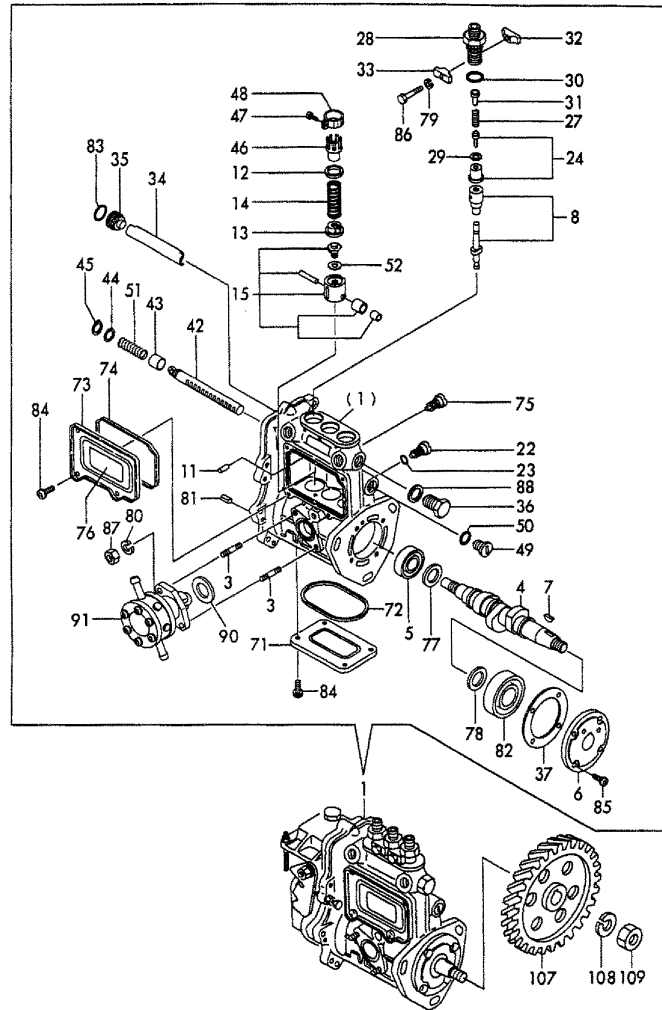


(A)=3TNE78A-B1
(B)=
(C)=

(D)=
(E)=
(F)=

No.	Lev.	Parts No.	Description	Q'ty						I	R
				(A)	(B)	(C)	(D)	(E)	(F)		
1	1	119810-42001	PUMP ASSY, WATER	1							
11	2	129150-42320	O-RING	1							
12	2	23871-030000	PLUG, R03	2							
14	1	129150-42020	GASKET, WATER PUMP	1							
15	1	26106-080352	BOLT, M8X 35 PLATED	1							
16	1	26106-080552	BOLT, M8X 55 PLATED	3							
17	1	25132-003800	V-BELT, A38	1							
17-1	1	129211-42290	V-BELT, A38.5	1							N
(A=EXXX)											
18	1	129120-42350	V-PULLEY, 130	1							
19	1	119831-44740	FAN, COOLING D322XUC	1							
20	1	124574-44761	SPACER, FAN	1							
21	1	26014-060252	BOLT, M6X 25	4							
22	1	129350-49530	COVER, THERMOSTAT	1							
23	1	129795-49551	GASKET	1							
24	1	129155-49800	THERMOSTAT, 71	1							
25	1	129150-49811	GASKET, THERMOSTAT	1							
26	1	26106-080202	BOLT, M8X 20 PLATED	2							
26-1	1	26106-080222	BOLT, M8X 22 PLATED	2							N
(A=EXXX)											
27	1	121550-49111	JOINT, PT1/4	1							
28	1	121250-44901	SWITCH, 110	1							
29	1	124465-44950	GASKET, 16	1							
30	1	121450-42450	PLUG, M16	1							
31	1	124465-44950	GASKET, 16	1							

Fig.11. FUEL INJECTION PUMP



(A)=3TNE78A-B1

(B)=

(C)=

(D)=

(E)=

(F)=

No.	Lev.	Parts No.	Description	Q'ty						I	R
				(A)	(B)	(C)	(D)	(E)	(F)		
1	1	719910-51370	PUMP ASSY, INJECTION	1							1
3	2	129155-51020	STUD	2							
4	2	119810-51040	CAMSHAFT	1							
5	2	129155-51050	BEARING, 17BM001D	1							
6	2	129155-51060	SUPPORT, CAMSHAFT	1							
7	2	122710-51090	KEY	1							
8	2	129108-51100	PLUNGER ASSY	3							
11	2	129155-51140	PIN	3							
12	2	174307-51170	RETAINER, SPRING A	3							
13	2	129155-51180	RETAINER, SPRING	3							
14	2	124950-51190	SPRING, PLUNGER	3							
15	2	129155-51200	TAPPET ASSY	3							
22	2	129155-51270	STOPPER, TAPPET	3							
23	2	129155-51280	O-RING, S6	3							
24	2	129505-51300	VALVE ASSY, DELIVERY	3							
27	2	129155-51320	SPRING, DELIVERY	3							
28	2	129155-51340	RETAINER	3							
29	2	124550-51350	GASKET, DELIVERY	3							
30	2	124550-51370	O-RING	3							
31	2	129155-51370	STOPPER, VALVE	3							
32	2	129155-51380	STOPPER	2							
33	2	129155-51390	STOPPER	2							
34	2	129155-51400	DEFLECTOR	1							
35	2	129155-51410	BOLT	1							
36	2	129155-51420	PLUG, M16	1							
37	2	129155-51450	SHIM SET, ADJUSTING	1							
42	2	129155-51500	RACK, CONTROL	1							
43	2	129155-51521	BUSH, RACK	1							
44	2	129155-51530	SPACER	1							
45	2	129155-51540	CIRCLIP	1							
46	2	129155-51550	PINION, CONTROL	3							
47	2	122117-51560	SCREW	3							
48	2	174307-51560	PINION	3							
49	2	129155-51570	PLUG, M12	1							
50	2	129155-51580	O-RING	1							
51	2	129155-51591	SPRING, RACK	1							
52	2	129155-51600	SHIM SET, ADJUSTING	3							
71	2	129155-51700	COVER	1							
72	2	129155-51710	GASKET	1							
73	2	129155-51750	COVER	1							
74	2	129155-51760	GASKET	1							
75	2	129155-51790	STOOPER, RACK	1							
76	2	129156-51910	LABEL, CAUTION	1							
77	2	129155-51930	SPACER, T=3.25	1							
78	2	129155-51940	SPACER, T=1.5	1							
79	2	22217-050000	WASHER, SPRING 5	2							
80	2	22217-060000	WASHER, SPRING 6	2							
81	2	22351-050010	PIN, SPRING 5.0X10	2							
82	2	24101-063034	BEARING, BALL 6303	1							
83	2	24341-000160	O-RING, 1AS16.0	1							
84	2	26022-050102	SCREW, M5X10	8							

Remarks

(1) GOVERNOR ASSY(FIG.12) IS INCORPORATED IN THIS FOP.CMP (REF.NO.1).

(A) THESE PART ARE ALSO SOLD BY FIG 17.REF NO.1

(GASKET SET.P/# 719910-92610).

N:Old $\xrightarrow{\text{Yes}}$ New, Q:Old $\xrightarrow{\text{No}}$ New, R:Old $\xrightarrow{\text{Yes}}$ New, S:Old $\xrightarrow{\text{No}}$ New, W:Add, Z:Discontinued, F:Interchangeable by set, K:Q'ty Change

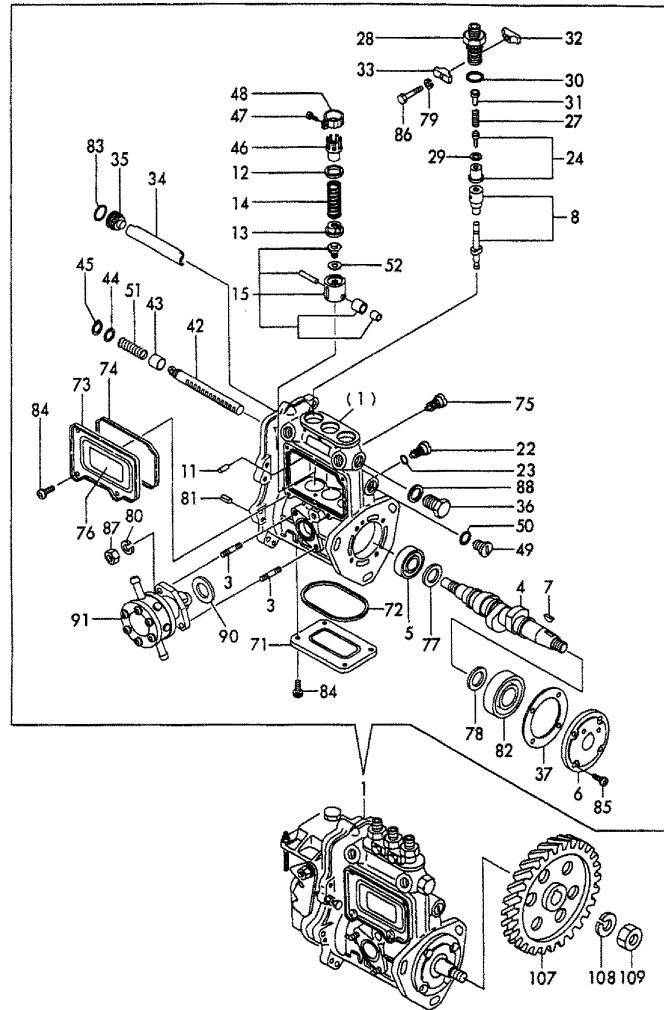
++ CONTINUE ++

Copyright (C) YANMAR CO., LTD. All Rights Reserved.

Fig.11. FUEL INJECTION PUMP

(A)=3TNE78A-B1
(B)=
(C)=

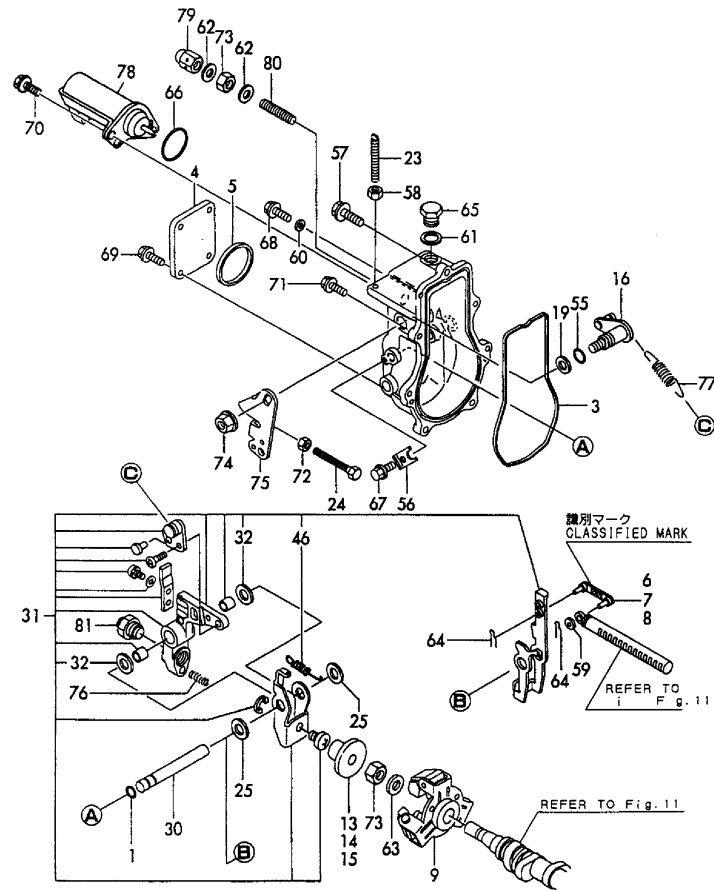
(D)=
(E)=
(F)=



No.	Lev.	Parts No.	Description	Q'ty						I	R
				(A)	(B)	(C)	(D)	(E)	(F)		
85	2	26022-060162	SCREW, M6X16	4							
86	2	26116-050302	BOLT, M5X 30 PLATED	2							
87	2	26716-060002	NUT, M6	2							
88	2	22190-160002	WASHER, SEAL 16	1							
90	2	129155-52050	GASKET	1							A
91	2	129100-52100	PUMP ASSY, FUEL FEED	1							
107	1	129150-25900	GEAR, PUMP	1							
108	1	22217-120000	WASHER, SPRING 12	1							
109	1	26716-120002	NUT, M12	1							

Remarks
(1) GOVERNOR ASSY(FIG.12) IS INCORPORATED IN THIS FOP.CMP (REF.NO.1).
(A) THESE PART ARE ALSO SOLD BY FIG 17.REF NO.1 (GASKET SET.P/# 719910-92610).

Fig.12. GOVERNOR



(A)=3TNE78A-B1

(B)=

(C)=

(D)=

(E)=

(F)=

No.	Lev.	Parts No.	Description	Qty						I	R
				(A)	(B)	(C)	(D)	(E)	(F)		
1	2	129155-51280	O-RING, S6	1							
3	2	129052-61050	GASKET	1							
4	2	129052-61060	COVER, GOVERNOR CASE	1							
5	2	129052-61070	GASKET	1							
6	2	129155-61120	LINK, L=30 MARK 0	1							1
7	2	129155-61130	LINK, L=31 MARK 1	1							1
8	2	129155-61140	LINK, L=30.5 MARK 05	1							1
9	2	129155-61201	WEIGHT ASSY, GOVERNOR	1							
13	2	129155-61341	SLEEVE	1							2
14	2	129155-61350	SLEEVE, L=24.9	1							2
15	2	129155-61360	SLEEVE, L=25.2	1							2
16	2	129100-61400	SHAFT ASSY	1							
19	2	129155-61430	SPACER	1							
23	2	129155-61450	BOLT, LIMITER	1							
24	2	129155-61460	BOLT, IDLE	1							
25	2	129155-61480	SPACER ASSY	2							
30	2	129052-61390	SHAFT	1							
31	2	129052-61500	LEVER ASSY, GOVERNOR	1							
32	3	174307-51700	SHIM SET	2							
46	3	129052-61540	SPRING, SET	1							
55	2	129155-61830	O-RING, S10	1							
56	2	119660-61901	RETAINER, SHAFT	1							
57	2	129155-61950	BOLT	1							
58	2	124550-66370	NUT, M6	1							
59	2	22117-040000	WASHER, 4	1							
60	2	22190-060002	WASHER, SEAL 6	1							
60-1	2	22190-060003	SEAL WASER 6	1							R
(A=E/#18962)											
61	2	22190-100002	WASHER, SEAL 10	1							
62	2	22190-120002	WASHER, SEAL 12	2							
63	2	22287-120000	WASHER, 12	1							
64	2	22372-040000	PIN, SNAP 4	2							
65	2	23887-100002	PLUG, 10	1							
66	2	24341-000280	O-RING, 1AS28.0	1							
67	2	26106-060102	BOLT, M6X 10 PLATED	1							
68	2	26106-060102	BOLT, M6X 10 PLATED	1							
69	2	26106-060102	BOLT, M6X 10 PLATED	4							
70	2	26106-060142	BOLT, M6X 14 PLATED	2							
71	2	26106-060202	BOLT, M6X 20 PLATED	6							
72	2	26756-060002	NUT, LOCK M6	1							
73	2	26776-120002	NUT, LOCK M12	2							
74	2	26366-080002	NUT, M8	1							
75	2	129100-61440	LEVER, CONTROL	1							
76	2	129100-61650	SPRING, CONTROLLER	1							
77	2	129489-61700	SPRING, GOVERNOR	1							
78	2	119233-77951	SOLENOID	1							
79	2	26687-120002	NUT, CAP M12	1							
80	2	129155-61470	BOLT, CONTROL	1							
81	2	129132-61550	ANGLEICH ASSY	1							

Remarks

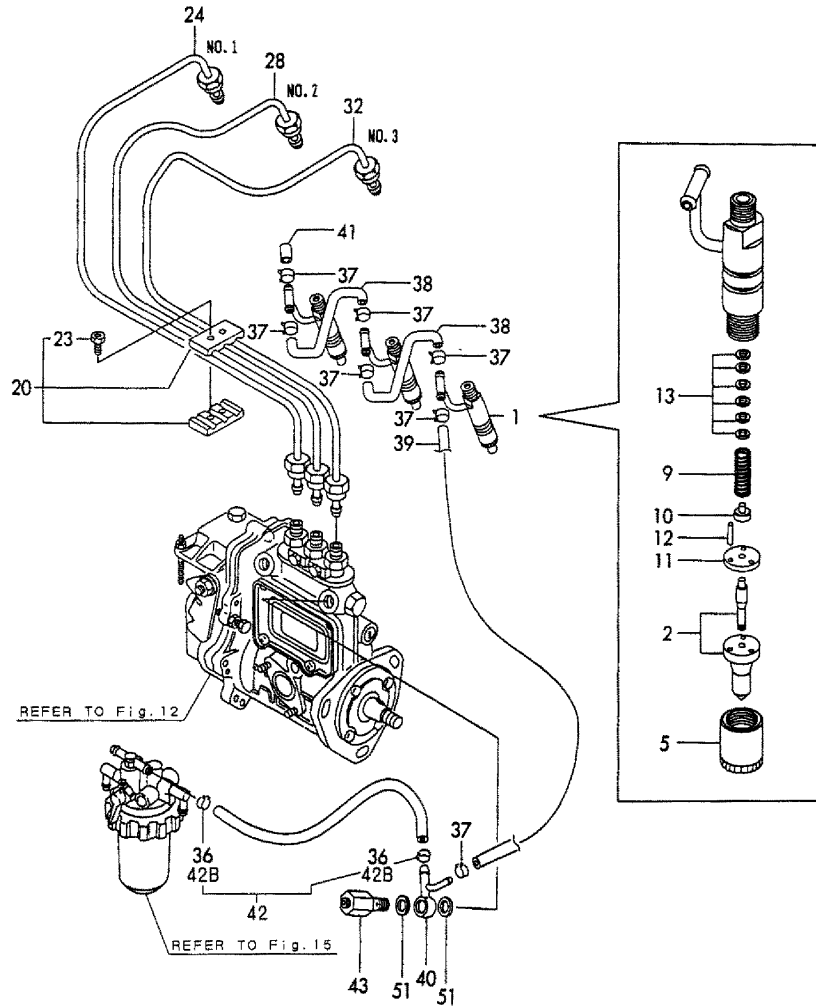
(1) SELECTIVE PARTS: CERTAIN THE CLASSIFICATION MARK, THEN PLACE YOUR ORDER.(REFER TO ILLUSTRATION)

(2) SELECTIVE PARTS.

Fig.13. FUEL INJECTION PIPE

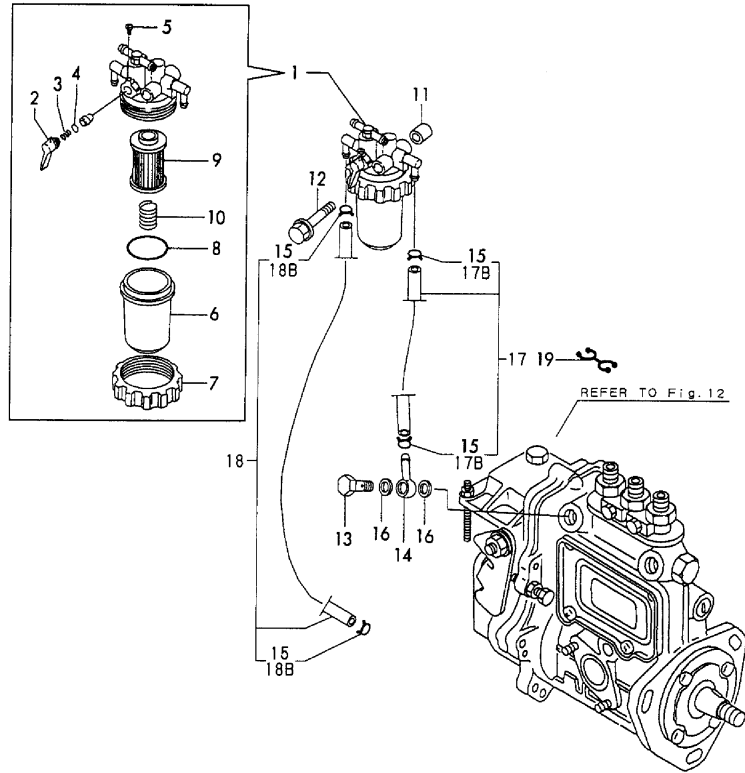
(A)=3TNE78A-B1
(B)=
(C)=

(D)=
(E)=
(F)=



No.	Lev.	Parts No.	Description	Q'ty						I	R
				(A)	(B)	(C)	(D)	(E)	(F)		
1	1	719810-53100	VALVE ASSY,INJECTION	3							
2	2	119810-53000	VALVE ASSY,INJECTION	3							
5	2	114250-53080	NUT, NOZZLE D16.95	3							
9	2	114250-53120	SPRING, NOZZLE	3							
10	2	114250-53130	SEAT, SPRING	3							
11	2	114250-53140	PLATE	3							
12	2	114250-53210	PIN	6							
13	2	114250-53400	SHIM SET	3							
20	1	129150-59120	RETAINER, PIPE	1							
23	2	129150-59131	BOLT, M4X14	2							
24	1	119810-59810	PIPE ASSY, INJECTION	1							
28	1	119810-59820	PIPE ASSY, INJECTION	1							
32	1	119810-59830	PIPE ASSY, INJECTION	1							
36	1	124766-59050	CLIP, HOSE 12	2							Z
(A=E/#18962)											
37	1	124066-59100	CLIP, HOSE 8	7							
38	1	121250-59550	PIPE, FUEL D8X120	2							
39	1	119840-59560	PIPE, FUEL RETURN	1							
40	1	119840-59570	JOINT	1							
41	1	129150-59580	CAP	1							
42	1	129210-59130	PIPE ASSY, FUEL	1							W
(A=E/#18962)											
42B	2	124766-59050	CLIP, HOSE 12	2							W
(A=E/#18962)											
43	1	129100-59951	VALVE ASSY, CHECK	1							
51	1	23414-120000	GASKET, 12X1.0	2							

Fig.14. FUEL OIL PIPE



(A)=3TNE78A-B1
(B)=
(C)=

(D)=
(E)=
(F)=

No.	Lev.	Parts No.	Description	Qty						I	R
				(A)	(B)	(C)	(D)	(E)	(F)		
1	1	119833-55620	FILTER ASSY, FUEL	1							
2	2	119810-55340	LEVER	1							
3	2	104200-55330	SPRING, VALVE	1							
4	2	24311-240100	O-RING, 1AP10A	1							
5	2	104200-55750	SCREW, M4	1							
6	2	121254-55510	COVER	1							
7	2	110250-55610	RING, RETAINING	1							
8	2	102103-55520	O-RING	1							
9	2	119810-55650	ELEMENT	1							
10	2	121250-55620	SPRING	1							
11	1	129411-55690	SPACER	1							
12	1	26014-080852	BOLT, M8X 85	1							
13	1	103854-39140	BOLT, PIPE JOINT	1							
14	1	101304-59020	JOINT, PIPE 12	1							
15	1	124766-59050	CLIP, HOSE 12	4							Z
		(A=E/#18962)									
16	1	22190-120002	WASHER, SEAL 12	2							A
17	1	129210-59030	PIPE ASSY, FUEL	1							W
		(A=E/#18962)									
17B	2	124766-59050	CLIP, HOSE 12	2							W
		(A=E/#18962)									
18	1	129210-59130	PIPE ASSY, FUEL	1							W
		(A=E/#18962)									
18B	2	124766-59050	CLIP, HOSE 12	2							W
		(A=E/#18962)									
19	1	119831-59100	LOCK	1							Z
		(A=EXXX)									

Remarks

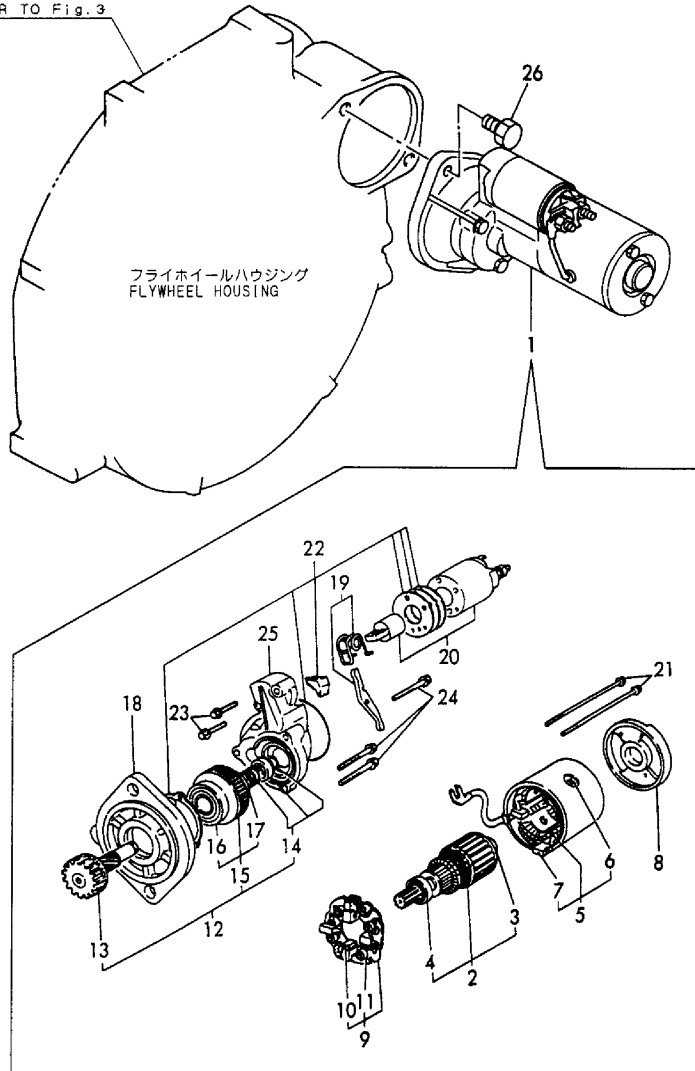
(A) THESE PART ARE ALSO SOLD BY
FIG 17.REF NO.1
(GASKET SET.P/# 719910-92610).

Fig.15. STARTING MOTOR

(A)=3TNE78A-B1
(B)=
(C)=

(D)=
(E)=
(F)=

REFER TO Fig. 3

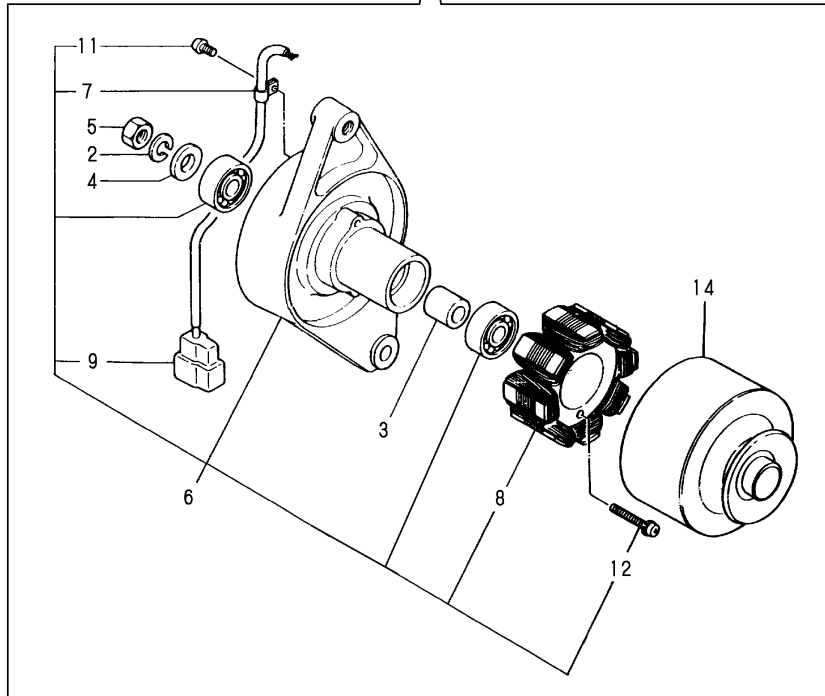
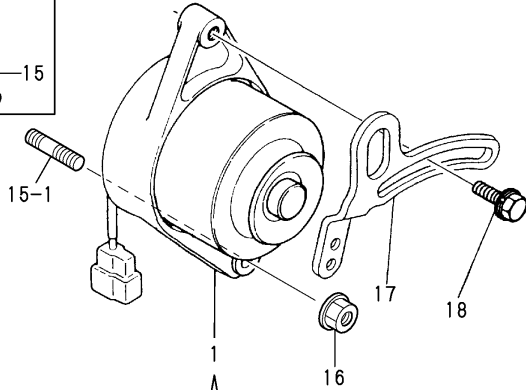
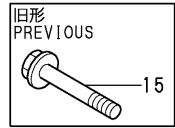


No.	Lev.	Parts No.	Description	Q'ty						I	R
				(A)	(B)	(C)	(D)	(E)	(F)		
1	1	124976-77011	STARTER, S114-349A	1							
2	2	X211451007	ARMATURE ASSY	1							
3	3	171008-77410	BEARING	1							
4	3	171008-77420	BEARING	1							
5	2	X211472106	COIL ASSY, FIELD	1							
6	3	171008-77450	SCREW	4							
7	3	171008-77460	BRUSH (+)	2							
8	2	171008-77500	COVER, REAR	1							
9	2	171008-77470	HOLDER ASSY, BRUSH	1							
10	3	171008-77480	BRUSH (-)	2							
11	3	171008-77490	SPRING, BRUSH	4							
12	2	X211415505	CLUTCH ASSY	1							
13	3	171008-77660	SHAFT	1							
14	3	171008-77670	STOPPER SET	1							
15	3	X211425505	CLUTCH ASSY	1							
16	4	171008-77730	BEARING, BALL	1							
17	4	171008-77740	BEARING	1							
18	2	171008-77510	CASE, GEAR	1							
19	2	X21146012	LEVER, SHIFT	1							
20	2	171008-55730	SWITCH ASSY	1							
21	2	124195-77770	BOLT, THROUGH	2							
22	2	171008-77571	COVER KIT, DUST	1							
23	2	26106-060322	BOLT, M6X 32 PLATED	2							
24	2	26106-060402	BOLT, M6X 40 PLATED	3							
25	2	X211414501	HOUSING, CENTER	1							
26	1	26116-120252	BOLT, M12X 25 PLATED	2							

Fig.16. GENERATOR

(A)=3TNE78A-B1
(B)=
(C)=

(D)=
(E)=
(F)=

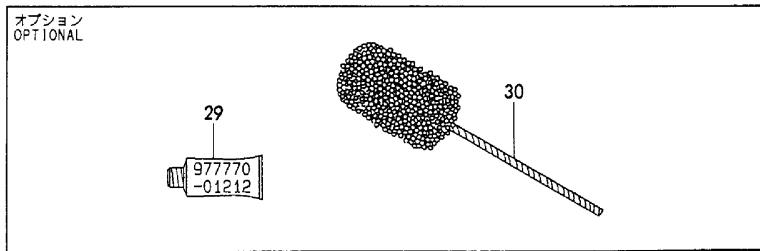
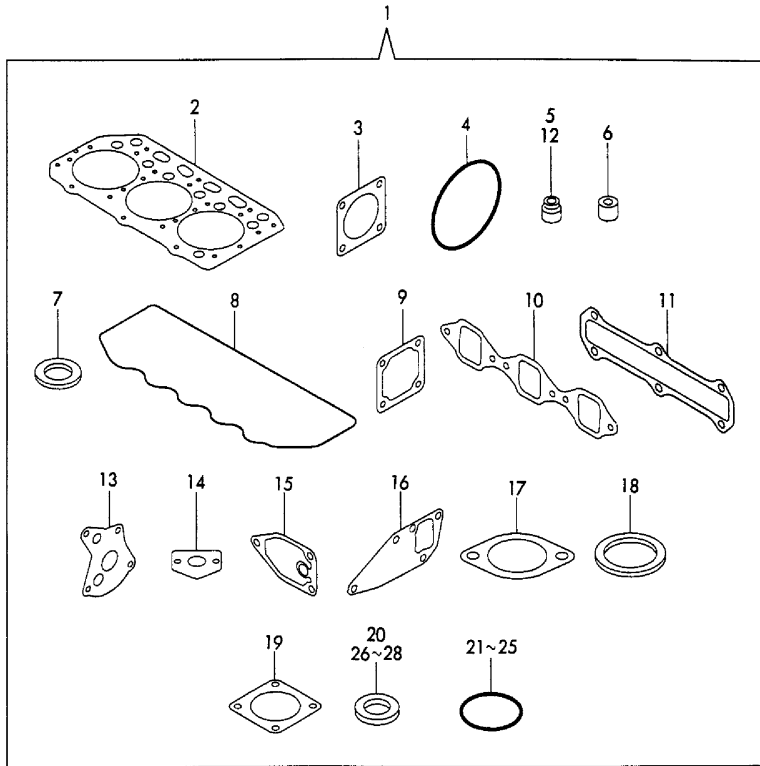


No.	Lev.	Parts No.	Description	Q'ty						I	R
				(A)	(B)	(C)	(D)	(E)	(F)		
1	1	129150-77202	GENERATOR	1							
1-1	1	129150-77203	DINAMO ASSY	1							N
(A=E/#43376)											
2	2	129188-77200	WASHER, SPRING	1							
3	2	129118-77230	COLLAR	1							
4	2	129118-77240	WASHER, 10	1							
5	2	129118-77250	NUT	1							
6	2	129150-77210	PLATE ASSY	1							
7	3	129118-77220	CLAMP	1							
8	3	129150-77260	STATOR ASSY	1							
9	3	XM178780000	COUPLER	1							
11	3	129118-77260	SCREW	1							
12	3	129150-77270	SCREW	2							
14	2	129150-77230	FLYWHEEL ASSY	1							
14-1	2	129150-77280	FLYWHEEL ASSY	1							N
(A=E/#43376)											
15	1	26106-100652	BOLT, M10X 65 PLATED	1							
15-1	1	129795-01900	BOLT, STUD M10X33	1							S
(A=E/#13592)											
16	1	26366-100002	NUT, M10	1							
17	1	119867-77331	ADJUSTER	1							
18	1	26014-080252	BOLT, M8X 25	1							
18-1	1	119810-77340	BOLT, ADJUST L=30	1							N
(A=E/#14543)											

Fig.17. GASKET SET & TOOLS

(A)=3TNE78A-B1
(B)=
(C)=

(D)=
(E)=
(F)=



No.	Lev.	Parts No.	Description	Q'ty						I	R
				(A)	(B)	(C)	(D)	(E)	(F)		
1	1	719910-92610	GASKET SET	1							1
2	2	119818-01330	GASKET, HEAD	1							
3	2	124240-01883	GASKET	1							
4	2	121850-51960	O-RING	1							
5	2	124160-11340	SEAL, VALVE STEM	3							
6	2	119625-11871	PROTECTOR, NOZZLE	3							
6-1	2	119625-11870	PROTECTOR, NOZZLE	3							N
7	2	119625-11880	SEAT, NOZZLE	3							
		(A=E/#13592)									
8	2	119865-11310	GASKET, BONNET	1							
9	2	129150-77511	GASKET	1							
10	2	119810-12111	GASKET, MANIFOLD	1							
11	2	119813-13110	GASKET	1							
12	2	124950-11340	SEAL, VALVE STEM	3							
13	2	129150-32020	GASKET, PUMP	1							
14	2	129150-35041	GASKET	1							
15	2	129150-35111	GASKET	1							
16	2	129150-42020	GASKET, WATER PUMP	1							
17	2	129795-49551	GASKET	1							
18	2	129150-49811	GASKET, THERMOSTAT	1							
19	2	124701-11911	GASKET, SILENCER	1							
20	2	129155-52050	GASKET	1							
21	2	24311-000120	O-RING, 1AP12.0	3							
22	2	24311-000160	O-RING, 1AP16.0	3							
23	2	24311-000320	O-RING, 1AP32.0	2							
24	2	24341-000500	O-RING, 1AS50.0	1							
25	2	24341-000240	O-RING, 1AS24.0	1							
26	2	23414-100000	GASKET, 10X1.0	2							
27	2	124465-44950	GASKET, 16	2							
28	2	22190-120002	WASHER, SEAL 12	2							
29	1	977770-01212	GASKET, LIQUID	1							1
30	1	129400-92420	HONE	1							1

Remarks
(1) OPTIONAL PART.

Parts No. Index

Parts No.	Fig. No.	Ref. No.
101304-59020	14	14
102103-55520	14	8
103854-39140	14	13
104200-55330	14	3
104200-55750	14	5
104211-11180	4	14
104211-11370	4	18
110250-55610	14	7
114250-53080	13	5
114250-53120	13	9
114250-53130	13	10
114250-53140	13	11
114250-53210	13	12
114250-53400	13	13
119131-18320	6	5 -1
119233-77951	12	78
119620-01750	3	3
119620-02020	1	12
119625-11870	4	32 -1
	17	6 -1
119625-11871	4	32
	17	6
119625-11880	4	33
	17	7
119625-11900	4	34
119632-12560	5	13
119632-12590	5	12
119640-01640	3	8
119640-12580	5	14
119660-61901	12	56
119810-01200	1	21
119810-01730	3	6
119810-01780	3	16
119810-01790	3	7
119810-02800	1	13
119810-02870	1	23
119810-02930	1	16
119810-02940	1	26
119810-11100	4	11
119810-11110	4	12
119810-11120	4	13
119810-11240	4	21
119810-12111	5	1
	17	10
119810-14400	7	2
119810-14580	7	3
119810-23200	8	27
119810-23600	8	28
119810-23610	8	30
119810-23910	8	26

Parts No.	Fig. No.	Ref. No.
119810-35401	9	19
119810-39200	9	32
119810-42001	10	1
119810-51040	11	4
119810-53000	13	2
119810-55340	14	2
119810-55650	14	9
119810-59810	13	24
119810-59820	13	28
119810-59830	13	32
119810-77340	16	18 -1
119812-11700	4	4
119812-34800	9	16
119813-13100	6	1
119813-13110	6	2
	17	11
119813-21000	8	1
119813-22300	8	21
119818-01330	1	22
	17	2
119818-22080	8	15
119818-22500	8	17
119818-22900	8	32
119818-22950	8	34
119831-12200	5	4
119831-12520	5	5
119831-12650	5	6
119831-13520	6	10
119831-44740	10	19
119831-59100	14	19
119833-55620	14	1
119836-13650	6	8
119840-59560	13	39
119840-59570	13	40
119856-03090	4	1
119865-11210	4	20
119865-11310	4	44
	17	8
119865-21600	8	14
119867-77331	16	17
121023-01550	2	24
121111-21501	8	11
121250-44901	10	28
121250-55620	14	10
121250-59550	13	38
121254-55510	14	6
121450-01560	2	2
121450-42450	10	30
121465-12510	5	9 -1
121465-12541	5	8

Parts No.	Fig. No.	Ref. No.
121465-12660	5	7
121465-12700	5	8 -1
121465-12900	5	9
121520-34810	9	17
121550-49111	10	27
121850-21680	8	10
121850-51960	2	11
	17	4
122117-51560	11	47
122710-51090	11	7
124060-11800	4	7
124064-12561	5	10
124064-12680	5	10 -1
124064-12690	5	11
124066-59100	13	37
124160-01751	2	6
	4	50
124160-01910	1	4
		20 -1
124160-11340	4	16
	17	5
124160-11360	4	48
124160-39140	9	31
124160-39450	9	39
124195-77770	15	21
124240-01871	2	7
124240-01883	2	8
	17	3
124465-44950	10	29
		31
	17	27
124550-51350	11	29
124550-51370	11	30
124550-59820	9	36
124550-66370	12	58
124574-44761	10	20
124701-11911	6	7
	17	19
124736-07900	4	2
124766-59050	13	36
		42 B
	14	15
		17 B
		18 B
124950-11340	4	17
	17	12
124950-51190	11	14
124976-77011	15	1
129001-32001	9	1
129001-35300	9	27

Parts No.	Fig. No.	Ref. No.
129001-91840	2	22 -1
129052-61050	12	3
129052-61060	12	4
129052-61070	12	5
129052-61390	12	30
129052-61500	12	31
129052-61540	12	46
129100-01580	3	1
		13
	8	2
129100-25061	7	9
129100-52100	11	91
129100-59951	13	43
129100-61400	12	16
129100-61440	12	75
129100-61650	12	76
129108-51100	11	8
129118-77220	16	7
129118-77230	16	3
129118-77240	16	4
129118-77250	16	5
129118-77260	16	11
129120-42350	10	18
129120-77501	5	18
129132-61550	12	81
129150-02450	7	4
129150-03020	4	40
129150-03070	4	41
129150-03080	4	42
129150-03100	2	10
129150-11230	4	28
129150-11280	4	26
129150-11750	4	30
129150-14101	7	6
129150-14200	7	1
129150-21200	8	4
129150-25101	7	10
129150-25900	11	107
129150-25920	7	13
129150-32020	9	14
	17	13
129150-35041	9	18
	17	14
129150-35101	9	24
129150-35111	9	25
	17	15
129150-35151	9	26
129150-35350	9	28
129150-42020	10	14
	17	16

Parts No. Index

Parts No.	Fig. No.	Ref. No.
129150-42320	10	11
129150-49811	10	25
	17	18
129150-59120	13	20
129150-59131	13	23
129150-59580	13	41
129150-77202	16	1
129150-77203	16	1 -1
129150-77210	16	6
129150-77230	16	14
129150-77260	16	8
129150-77270	16	12
129150-77280	16	14 -1
129150-77511	5	19
	17	9
129155-11260	4	24
129155-11270	4	25
129155-49800	10	24
129155-51020	11	3
129155-51050	11	5
129155-51060	11	6
129155-51140	11	11
129155-51180	11	13
129155-51200	11	15
129155-51270	11	22
129155-51280	11	23
	12	1
129155-51320	11	27
129155-51340	11	28
129155-51370	11	31
129155-51380	11	32
129155-51390	11	33
129155-51400	11	34
129155-51410	11	35
129155-51420	11	36
129155-51450	11	37
129155-51500	11	42
129155-51521	11	43
129155-51530	11	44
129155-51540	11	45
129155-51550	11	46
129155-51570	11	49
129155-51580	11	50
129155-51591	11	51
129155-51600	11	52
129155-51700	11	71
129155-51710	11	72
129155-51750	11	73
129155-51760	11	74
129155-51790	11	75

Parts No.	Fig. No.	Ref. No.
129155-51930	11	77
129155-51940	11	78
129155-52050	11	90
	17	20
129155-61120	12	6
129155-61130	12	7
129155-61140	12	8
129155-61201	12	9
129155-61341	12	13
129155-61350	12	14
129155-61360	12	15
129155-61430	12	19
129155-61450	12	23
129155-61460	12	24
129155-61470	12	80
129155-61480	12	25
129155-61830	12	55
129155-61950	12	57
129156-51910	11	76
129188-77200	16	2
129210-59030	14	17
129210-59130	13	42
	14	18
129211-42290	10	17 -1
129350-49530	10	22
129400-01520	2	1
129400-92420	17	30
129411-55690	14	11
129486-01670	3	17
129489-61700	12	77
129505-51300	11	24
129612-01600	3	2 -1
129792-22400	8	22
129795-01800	2	5
129795-01900	16	15 -1
129795-01950	2	9
129795-02411	1	19
129795-21661	8	9
129795-49551	10	23
	17	17
171008-55730	15	20
171008-77410	15	3
171008-77420	15	4
171008-77450	15	6
171008-77460	15	7
171008-77470	15	9
171008-77480	15	10
171008-77490	15	11
171008-77500	15	8
171008-77510	15	18

Parts No.	Fig. No.	Ref. No.
171008-77571	15	22
171008-77660	15	13
171008-77670	15	14
171008-77730	15	16
171008-77740	15	17
171051-01921	1	5
171301-01600	3	2
171301-12701	5	2
171301-21650	8	8
171325-21590	8	12
172125-03950	5	11 A
174307-51170	11	12
174307-51560	11	48
174307-51700	12	32
194990-22050	6	3
		9
22117-040000	12	59
22190-060002	12	60
22190-060003	12	60 -1
22190-080002	2	12
		13
	9	37
22190-100002	12	61
22190-120002	12	62
	14	16
	17	28
22190-160002	11	88
22190-220002	3	10
22217-050000	11	79
22217-060000	11	80
22217-120000	11	108
22287-120000	12	63
22351-040010	8	7
22351-050010	11	81
22351-060012	4	19
22372-040000	12	64
22512-070140	7	7
	8	5
23000-060000	5	17
23414-100000	9	38
	17	26
23414-120000	13	51
23871-010000	1	6
23871-030000	10	12
23887-100002	12	65
23887-120002	1	20
24101-063034	11	82
24311-000120	4	49
	17	21
24311-000160	2	14

Parts No.	Fig. No.	Ref. No.
24311-000160	9	29
	17	22
24311-000320	2	15
	4	51
	17	23
24311-240100	14	4
24341-000160	11	83
24341-000240	2	25
	17	25
24341-000280	12	66
24341-000500	4	46
	17	24
25132-003800	10	17
26014-060252	10	21
26014-080202	5	15
	6	11
26014-080252	16	18
26014-080852	14	12
26022-050102	11	84
26022-060162	11	85
26106-060102	12	67
		68
		69
26106-060122	2	26
26106-060142	12	70
26106-060162	2	26 -1
26106-060202	12	71
26106-060322	15	23
26106-060402	15	24
26106-080122	2	16
26106-080142	4	3
	7	8
26106-080162	2	17
		18
	3	11
	4	47
26106-080202	2	19
	9	30
	10	26
26106-080222	10	26 -1
26106-080252	4	35
	5	3
26106-080352	3	18
	5	20
	9	23
	10	15
26106-080452	2	20
	3	12
	7	14
26106-080502	4	36

Parts No. Index

Parts No.	Fig. No.	Ref. No.
26106-080552	2	21
	10	16
26106-080602	6	4
26106-080852	2	22
26106-100652	16	15
26116-050302	11	86
26116-120252	15	26
26206-100252	3	4
26206-100302	3	5
26216-060302	4	9
26216-080222	6	5
26216-080602	6	6
26226-080182	4	31
26366-060002	4	37
26366-080002	2	23
	5	16
	6	3 -1
		9 -1
	12	74
26366-100002	16	16
26450-060252	9	15
26687-120002	12	79
26716-060002	11	87
26716-120002	11	109
26756-060002	12	72
26776-120002	12	73
27231-500000	1	7
27241-120000	1	8
27241-300000	1	9
27241-400000	4	10
27310-070001	4	15
719810-01500	2	3
719810-01650	3	14
719810-11520	4	38
719810-11660	4	27
719810-23100	8	23
719810-53100	13	1
719822-01560	1	1
719910-51370	11	1
719910-92610	17	1
977770-01212	17	29
X211414501	15	25
X211415505	15	12
X211425505	15	15
X211451007	15	2
X21146012	15	19
X211472106	15	5
XM178780000	16	9

Parts No.	Fig. No.	Ref. No.
-----------	----------	----------

Parts No.	Fig. No.	Ref. No.
-----------	----------	----------

Parts No.	Fig. No.	Ref. No.
-----------	----------	----------