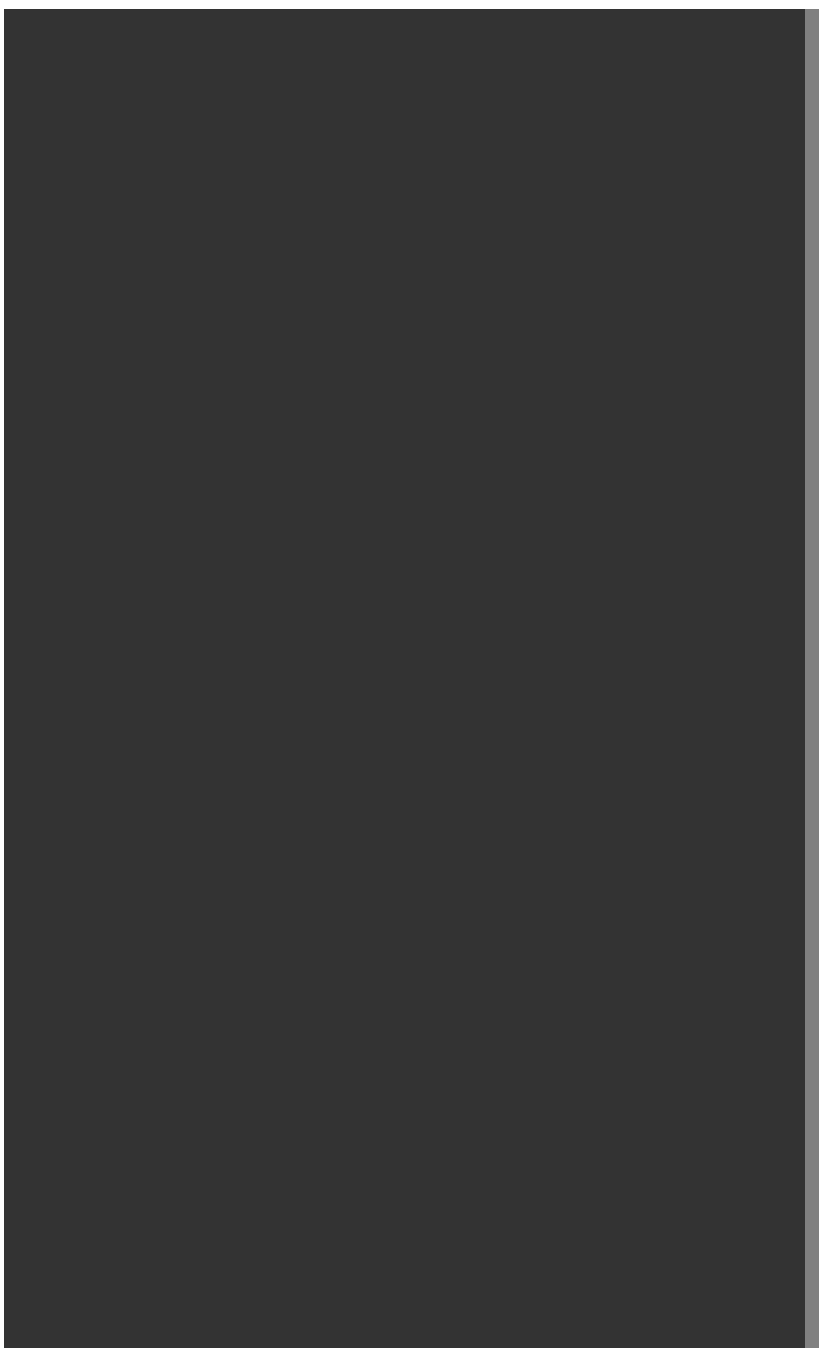


0CB10-M55100EN



## Directions for the Parts Catalog.

1. This Parts Catalog shows both standard and optional parts.
2. Parts may change without prior notice.
3. The following is an example of the Parts Catalog format.

REF.	LEV.	PARTS NO.	DESCRIPTION	Q'TY						I	R
				(A)	(B)	(C)	(D)	(E)	(F)		
1	1	729595-51390	FUEL INJECTION PUMP	1	1	1	1	1			1
1-1	1	729595-51391	FUEL INJECTION PUMP	1	1	1	1	1		N	1
		(A=E00185) (B=E00200)									
3	2	26022-060162	SCREW M 6X 16	9	9	9	9	9			
3-1	2	26022-060162	SCREW M 6X 16	4	4	4	4	4		K	
		(A=E00156) (B=E00156) (C=E00156) (D=E00156) (E=E00156)									
4	2	129470-51040	CAMSHAFT	1	1	1	1	1			
5	2	122710-51050	BEARING, ROLLER	2	2	2	2	2			
6	2	129470-51060	RETAINER	1	1	1	1	1			

Remarks
(1) BOOST COMPEMSATOR TYPE. OPTIONAL PART, TO E00155,(4JH-DT, 4JH-DTZ

### ① Ref. No.

The Ref. No. listed may not be in accordance with the illustration Ref. No.

(Ex.) Illustration No.

List Ref No.

1

1

(Before change)

1-1

(After change)

For interchangeable symbols N, R and K, illustrations for new parts may be abbreviated.

### ② Lev. (Level)

Level indication

The numbers below indicate the level of relativity towards the main part.

1 ----- Main parts (Assembly parts)

2 ----- Sub component included in " 1 ".

3 ----- Sub component included in " 2 ".

Note) Parts that are not for sale are partially illustrated but not listed.

### ③ Interchangeability Symbol

When a part change takes place, one of the following interchangeability symbols is indicated beside the part.

Symbol	Interchangeability	Contents note
N	Old $\begin{matrix} \leftarrow \text{Yes} \\ \text{No} \rightarrow \end{matrix}$ New	New Part is interchangeable for Old Part but Old Part is not interchangeable for New Part.
Q	Old $\begin{matrix} \leftarrow \text{No} \\ \text{Yes} \rightarrow \end{matrix}$ New	New Part is not interchangeable for Old Part but Old Part is interchangeable for New Part.
R	Old $\begin{matrix} \leftarrow \text{Yes} \\ \text{Yes} \rightarrow \end{matrix}$ New	New/ Old Parts are both interchangeable.
S	Old $\begin{matrix} \leftarrow \text{No} \\ \text{No} \rightarrow \end{matrix}$ New	New/ Old Parts are both not interchangeable.
W		Part newly added.
Z		Part discontinued.
F		Not interchangeable by a single part but interchangeable together with related parts.
K		Changes only for used parts quantities.

### ④ Effective Machine No.

When a part changes, the effective Machine No. will be indicated in the (A)-(F) column.

Product Symbol	Product No.	Product Symbol	Product No.
C	Clutch No. Compressor No.	F	Machine No. (Agricultural Equip.)
D	Drive No.	M	Machine No.
E	Engine No.		

Note 1) A date may follow the symbol. (Ex.) 1996.01

Note 2) "XXXXX" and "ZZZZZ" are for parts that could not be predicted or for engine models that could not be identified.

Note 3) (A=E00185) is the E (Engine Serial Number) for the column (A) model (in this case 4JH-DT) after the parts design change.

### ⑤ Remarks

Figures or alphabets (symbols) are entered in the remarks column.

The comments (remarks) on parts that are indicated at the bottom of the illustration are the same symbols as those stated above.

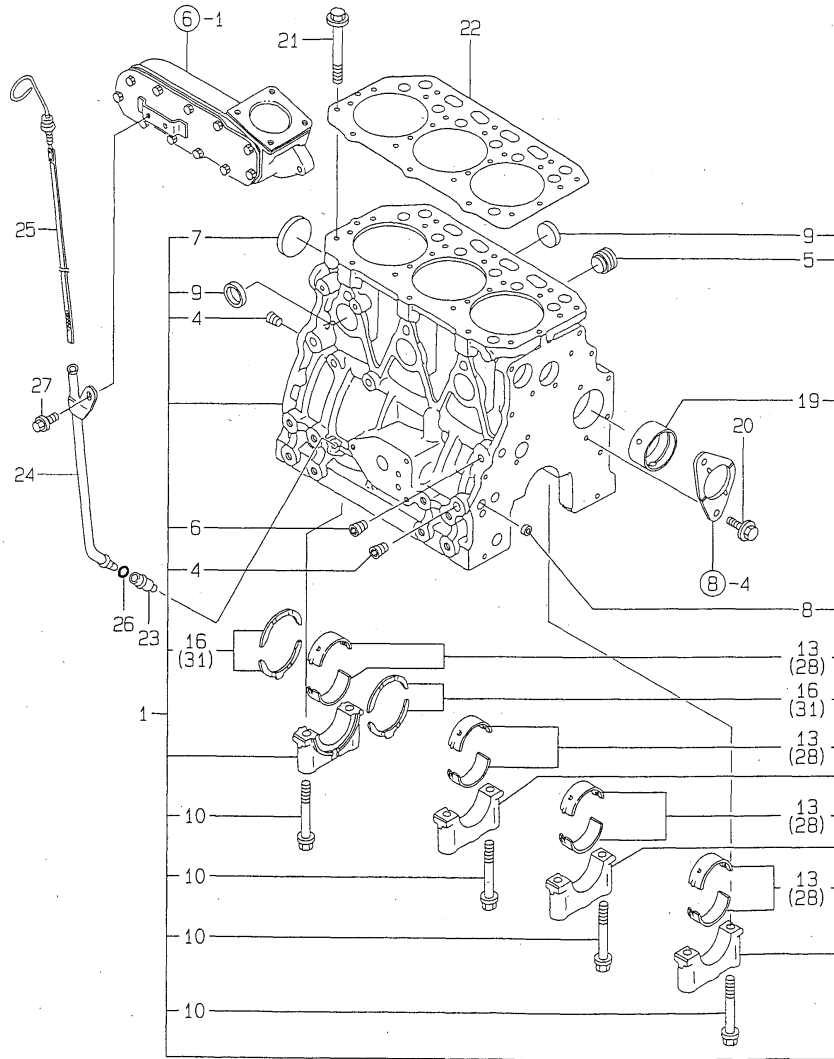
# Contents

OCB10-M55100

Fig. No.	Fig. Name	Fig. No.	Fig. Name
3TN84-REY		25.	BONNET
1.	CYLINDER BLOCK	26.	SUCTION MANIFOLD & AIR CLEANER
2.	GEAR HOUSING	27.	EXHAUST MANIFOLD & SILENCER
3.	MOUNTING FLANGE & OIL SUMP	28.	CAMSHAFT & DRIVING GEAR
4.	BONNET	29.	CRANKSHAFT & PISTON
5.	CYLINDER HEAD	30.	BALANCER
6.	SUCTION MANIFOLD & AIR CLEANER	31.	LUB.OIL SYSTEM
7.	EXHAUST MANIFOLD & SILENCER	32.	HYDRAULIC PUMP
8.	CAMSHAFT & DRIVING GEAR	33.	COOLING WATER PUMP
9.	CRANKSHAFT & PISTON	34.	RADIATOR
10.	LUB.OIL SYSTEM	35.	FUEL INJECTION PUMP
11.	COOLING WATER PUMP	36.	FUEL INJECTION PUMP
12.	RADIATOR	37.	GOVERNOR
13.	FUEL INJECTION PUMP	38.	FUEL INJECTION VALVE
14.	GOVERNOR	39.	FUEL LINE
15.	FUEL INJECTION VALVE	40.	ENGINE STOP DEVICE
16.	FUEL LINE	41.	STARTING MOTOR
17.	ENGINE STOP DEVICE	42.	GENERATOR
18.	STARTING MOTOR	43.	GASKET SET
19.	GENERATOR		
20.	GASKET SET		
21.	CYLINDER BLOCK		
22.	GEAR HOUSING		
23.	MOUNTING FLANGE & OIL SUMP		
24.	CYLINDER HEAD		

Fig.1. CYLINDER BLOCK

1. CYLINDER BLOCK



(A)=  
(B)=3TN84-REY  
(C)=

(D)=  
(E)=  
(F)=

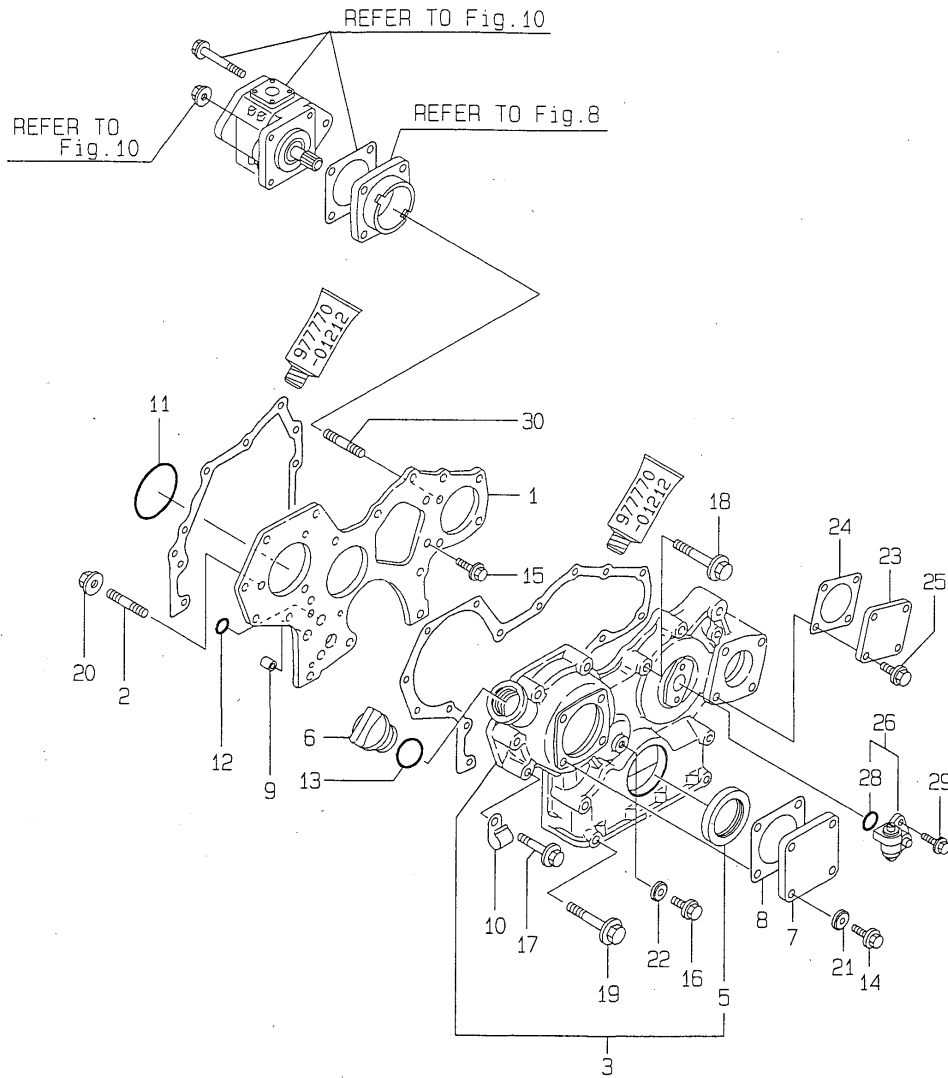
No.	Lev.	Parts No.	Description	Q'ty						I	R
				(A)	(B)	(C)	(D)	(E)	(F)		
1	1	729157-01560	BLOCK ASSY, CYLINDER		1						
4	2	124160-01910	PLUG, PT1/4		3						
5	2	171051-01921	PLUG, NPTF1		1						
6	2	23871-010000	PLUG, R01		1						
7	2	27231-500000	PLUG 50		1						
8	2	27241-120000	PLUG, 12		2						
9	2	27241-300000	PLUG 30		6						
10	2	129150-02020	BOLT, METAL CAP		8						
13	2	129150-02800	BEARING, MAIN		4						
16	2	129150-02930	BEARING, THRUST		2						
19	2	129795-02411	BUSH, CAMSHAFT		1						
20	1	26106-080162	BOLT, M8X 16 PLATED		2						
21	1	129150-01200	BOLT, HEAD		14						
22	1	129157-01333	GASKET, HEAD		1						G
23	1	119260-34810	GUIDE, DIPSTICK		1						
24	1	129129-34810	GUIDE, DIPSTICK		1						
25	1	129129-34820	DIPSTICK, OIL		1						
26	1	24311-240100	O-RING, 1AP10A		1						
27	1	26106-080122	BOLT, M8X 12 PLATED		1						
28	1	129150-02870	BEARING, 0.25 US		4						1
31	1	129150-02940	BEARING, THRUST 0.25		2						2

Remarks

- (1) UNDER-SIZE (U.S=0.25) PART.
- (2) OVER-SIZE (O.S=0.25) PART.
- (G) THESE PARTS ARE SOLD BY FIG.20, REF.NO.1.

# Fig.2. GEAR HOUSING

## 2. GEAR HOUSING



(A)=  
(B)=3TN84-REY  
(C)=

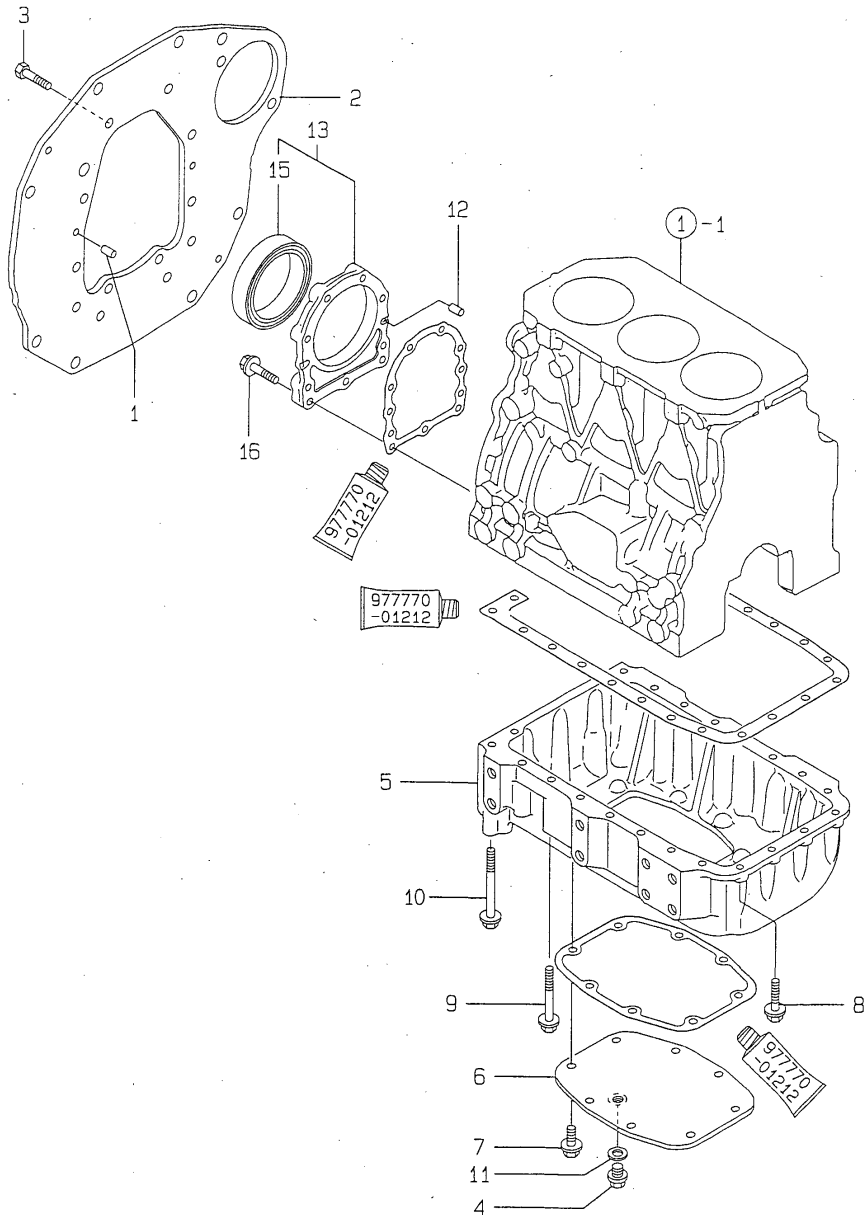
(D)=  
(E)=  
(F)=

No.	Lev.	Parts No.	Description	Q'ty						I	R
				(A)	(B)	(C)	(D)	(E)	(F)		
1	1	129100-01520	FLANGE, GEAR CASE		1						
2	1	121450-01560	STUD, M8X22		3						
3	1	129100-01590	CASE ASSY, GEAR		1						
5	2	129795-01800	SEAL, OIL		1						
6	1	124160-01751	COVER, FILLER		1						
7	1	124240-01871	COVER		1						
8	1	124240-01883	GASKET		1						G
9	1	129795-01950	PIPE, KNOCK L=18		2						
10	1	129150-03100	RETAINER, PIPE		1						
11	1	121850-51960	O-RING		1						G
12	1	24311-000160	O-RING, 1AP16.0		2						G
13	1	24311-000320	O-RING, 1AP32.0		1						G
14	1	26106-080122	BOLT, M8X 12 PLATED		4						
15	1	26106-080162	BOLT, M8X 16 PLATED		3						
16	1	26106-080162	BOLT, M8X 16 PLATED		1						
17	1	26106-080452	BOLT, M8X 45 PLATED		6						
18	1	26106-080552	BOLT, M8X 55 PLATED		3						
19	1	26106-080852	BOLT, M8X 85 PLATED		4						
20	1	26366-080002	NUT, M8		3						
21	1	22190-080002	WASHER, SEAL 6		4						
22	1	22190-080002	WASHER, SEAL 6		1						
23	1	124240-01871	COVER		1						
24	1	124240-01883	GASKET		1						G
25	1	26106-080122	BOLT, M8X 12 PLATED		4						
26	1	129150-91400	GEAR		1						
28	2	24341-000240	O-RING, 1AS24.0		1						G
29	1	26106-060162	BOLT, M6X 16 PLATED		2						
30	1	129150-01580	STUD, M8X30		1						

Remarks  
(G)THESE PARTS ARE SOLD BY FIG.20,  
REF.NO.1.

Fig.3. MOUNTING FLANGE & OIL SUMP

3.MOUNTING FLANGE & OIL SUMP



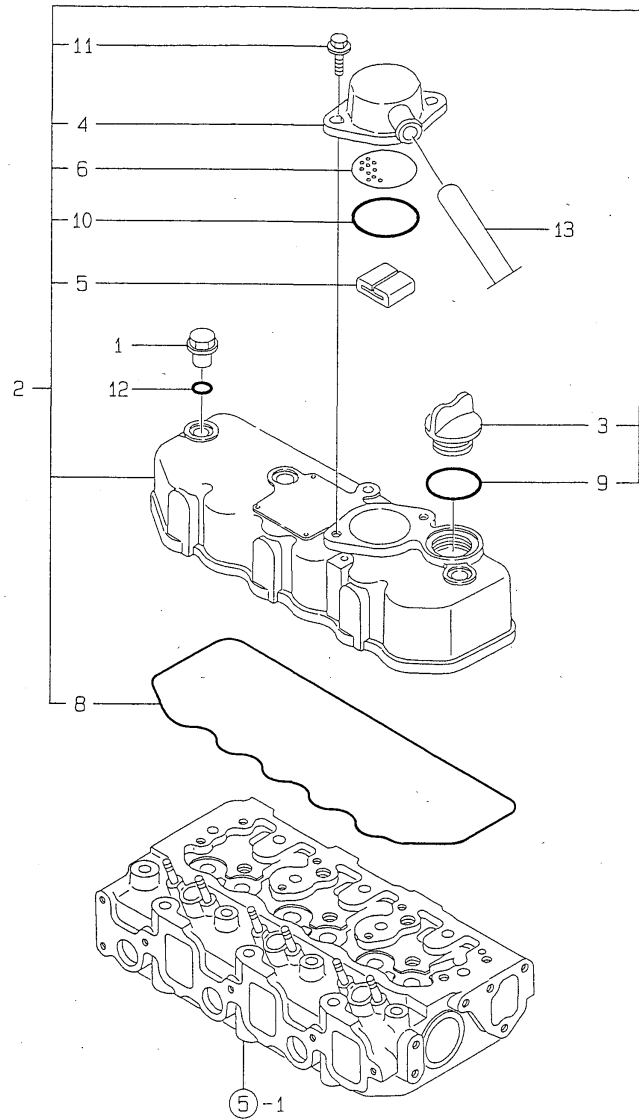
(A)=  
(B)=3TN84-REY  
(C)=

(D)=  
(E)=  
(F)=

No.	Lev.	Parts No.	Description	Q'ty						I	R
				(A)	(B)	(C)	(D)	(E)	(F)		
1	1	129100-01580	PIN, M8X16		2						
2	1	129126-01600	FLANGE, MOUNTING		1						
3	1	26206-100202	BOLT, M10X 20 PLATED		8						
4	1	105425-01690	PLUG, 16		1						
5	1	129126-01700	SUMP, OIL		1						
6	1	129150-01721	COVER, OIL SUMP		1						
7	1	26106-080122	BOLT, M8X 12 PLATED		8						
8	1	26106-080252	BOLT, M8X 25 PLATED		4						
9	1	26106-080852	BOLT, M8X 85 PLATED		14						
10	1	26106-081202	BOLT, M8X120 PLATED		4						
11	1	22190-160002	WASHER, SEAL 16		1						
12	1	129100-01580	PIN, M8X16		2						
13	1	729402-01650	CASE ASSY, OIL SEAL		1						
15	2	129120-01780	SEAL, OIL		1						
16	1	26106-080302	BOLT, M8X 30 PLATED		9						

Fig.4. BONNET

4. BONNET



(A)=  
(B)=3TN84-REY  
(C)=

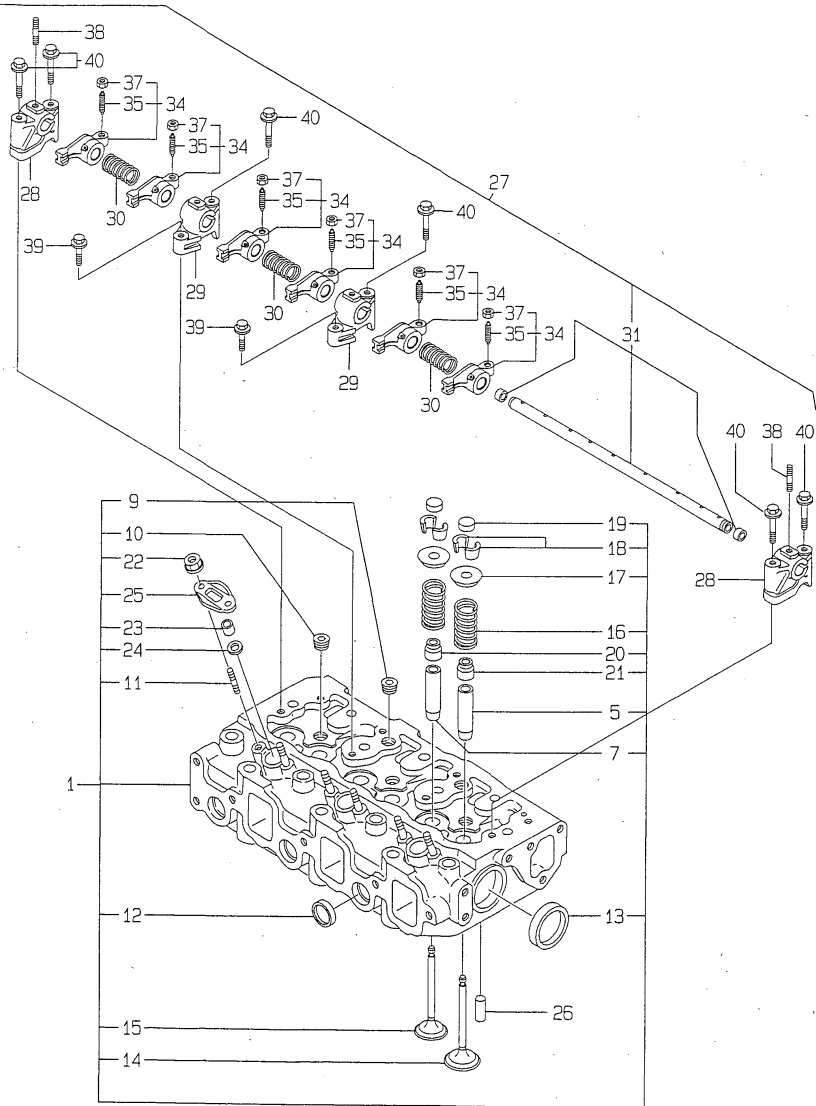
(D)=  
(E)=  
(F)=

No.	Lev.	Parts No.	Description	Q'ty						I	R
				(A)	(B)	(C)	(D)	(E)	(F)		
1	1	124160-11360	KNOB		3						
2	1	729132-11520	BONNET ASSY, HEAD		1						
3	2	124160-01751	COVER, FILLER		1						
4	2	129150-03020	COVER, BREATHER		1						
5	2	129150-03070	BAFFLE, BREATHER		1						
6	2	129150-03080	PLATE, BAFFLE		1						
8	2	129150-11310	GASKET, BONNET		1						G
9	2	24311-000320	O-RING, 1AP32.0		1						G
10	2	24341-000500	O-RING, 1AS50.0		1						G
11	2	26106-080162	BOLT, M8X 16 PLATED		2						
12	1	24311-000120	O-RING, 1AP12.0		3						G
13	1	129150-03090	HOSE, ID16X2T		1						

Remarks  
(G)THESE PARTS ARE SOLD BY FIG.20,  
REF.NO.1.

Fig.5. CYLINDER HEAD

5. CYLINDER HEAD



(A)=  
(B)=3TN84-REY  
(C)=

(D)=  
(E)=  
(F)=

No.	Lev.	Parts No.	Description	Q'ty						I	R
				(A)	(B)	(C)	(D)	(E)	(F)		
1	1	129129-11700	HEAD ASSY, CYLINDER	1							
5	2	120130-11860	GUIDE, VALVE	3							1
7	2	129150-11810	GUIDE, VALVE	3							1
9	2	121850-11860	PLUG, PT1/4	2							
10	2	23871-030000	PLUG, R03	3							
11	2	26216-060202	STUD, M6X 20	6							
12	2	27241-220000	PLUG, 22	3							
13	2	27241-400000	PLUG, 40	2							
14	2	129100-11100	VALVE, INTAKE	3							
15	2	129100-11110	VALVE, EXHAUST	3							
16	2	129795-11120	SPRING, VALVE	6							
17	2	129795-11180	RETAINER, SPRING	6							
18	2	27310-080001	COTTER, 8	6							
19	2	129150-11370	CAP, VALVE	6							
20	2	121400-11340	SEAL, VALVE STEM	3							G
21	2	124460-11340	SEAL, VALVE STEM	3							G
22	2	26366-060002	NUT, M6	6							
23	2	119625-11871	PROTECTOR, NOZZLE	3							G
24	2	119625-11880	SEAT, NOZZLE	3							G
25	2	119625-11900	RETAINER, NOZZLE	3							
26	1	22351-060012	PIN, SPRING 6.0X12	2							
27	1	129155-11241	SHAFT ASSY, ROCKER	1							
28	2	129155-11260	SUPPORT, ROCKER ARM	2							
29	2	129155-11270	SUPPORT, ROCKER ARM	2							
30	2	129150-11280	SPRING	3							
31	2	129150-11290	SHAFT, ROCKER ARM	1							
34	2	729402-11650	ARM ASSY, ROCKER	6							
35	3	129150-11230	SCREW, VALVE ADJUST	6							
37	3	129150-11750	NUT, M8	6							
38	2	26226-080182	STUD, M8X 18	3							
39	1	26106-080252	BOLT, M8X 25 PLATED	2							
40	1	26106-080502	BOLT, M8X 50 PLATED	6							

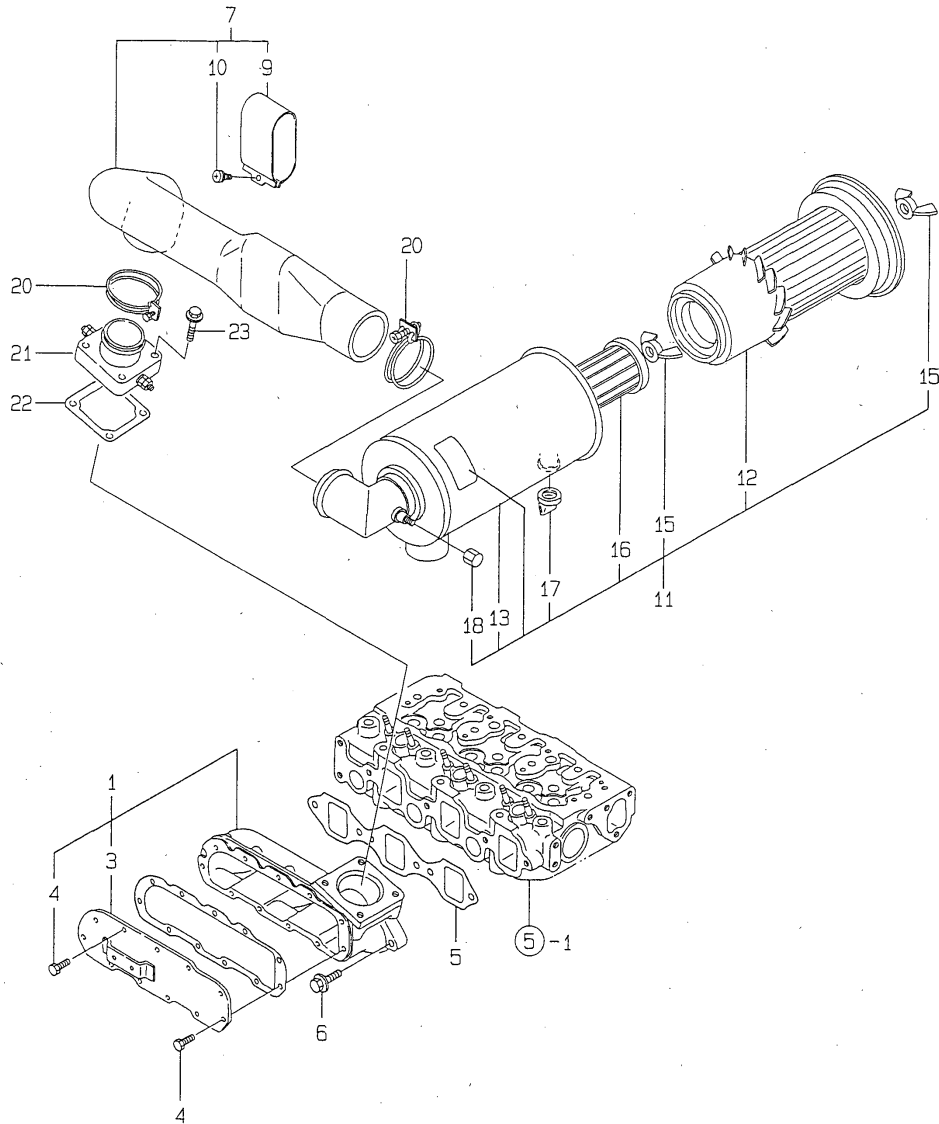
Remarks

- (1)REPAIR PART.
- (G)THESE PARTS ARE SOLD BY FIG.20.
- REF.NO.1.



Fig.6. SUCTION MANIFOLD & AIR CLEANER

6. SUCTION MANIFOLD & AIR CLEANER



(A)=  
(B)=3TN84-REY  
(C)=

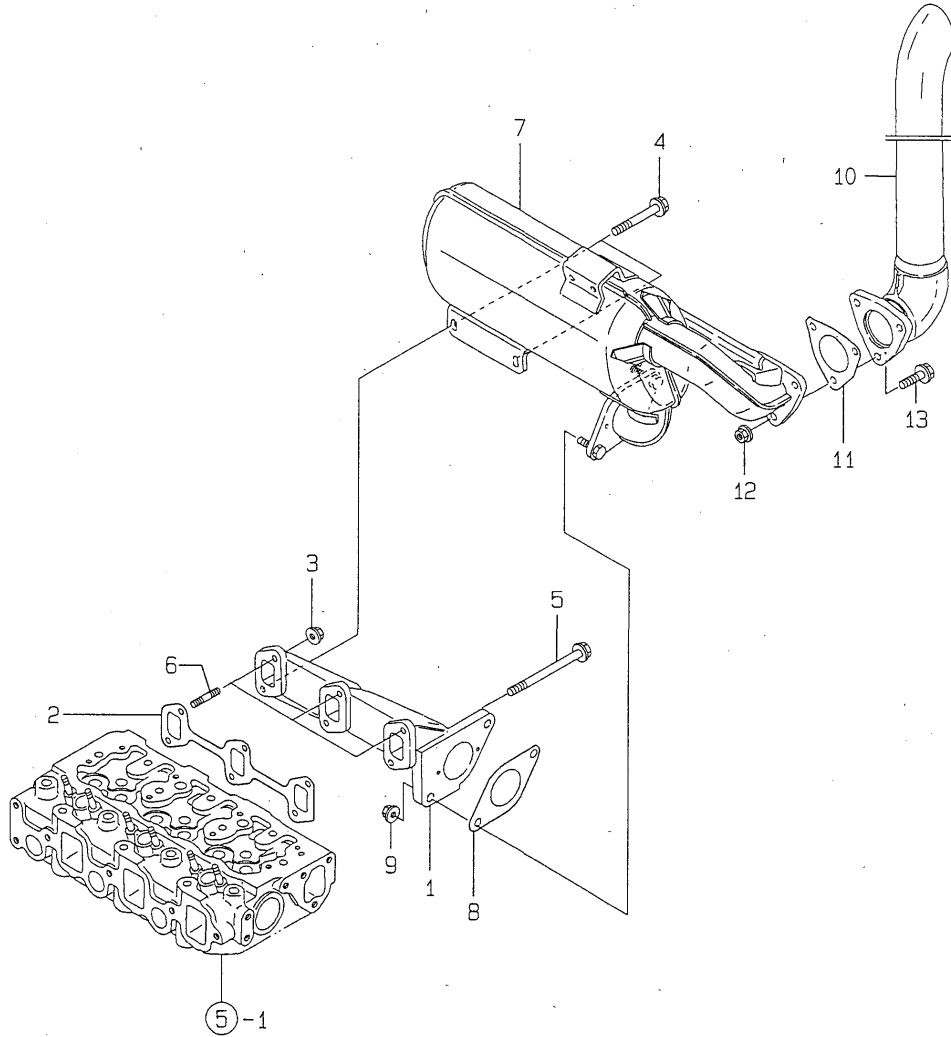
(D)=  
(E)=  
(F)=

No.	Lev.	Parts No.	Description	Q'ty						I	R
				(A)	(B)	(C)	(D)	(E)	(F)		
1	1	129107-12090	MANIFOLD ASSY,INTAKE		1						
3	2	129107-12121	PLATE		1						
4	2	26476-060142	SCREW, TAPPING M6X14		12						
5	1	129150-12111	GASKET, MANIFOLD		1						G
6	1	26106-080252	BOLT, M8X 25 PLATED		4						
7	1	129126-12290	PIPE, AIR INTAKE		1						
9	2	129126-12260	PROTECTOR		1						
10	2	26022-030082	SCREW M 3X 8		1						
11	1	129126-12500	CLEANER ASSY, AIR		1						
12	2	129129-12510	ELEMENT		1						
13	2	129126-12520	BODY, AIR CLEANER		1						
15	2	121420-12561	NUT, WING		2						
16	2	121422-12570	ELEMENT		1						
17	2	121422-12580	VALVE, UNLOADER		1						
18	2	121820-12590	NIPPLE		1						
20	1	23000-060000	CLAMP, 60		2						
21	1	129120-77501	HEATER		1						
22	1	129150-77511	GASKET		1						G
23	1	26106-080352	BOLT, M8X 35 PLATED		4						

Remarks  
(G)THESE PARTS ARE SOLD BY FIG.20,  
REF.NO.1.

Fig.7. EXHAUST MANIFOLD & SILENCER

7.EXHAUST MANIFOLD & SILENCER



(A)=  
(B)=3TN84-REY  
(C)=

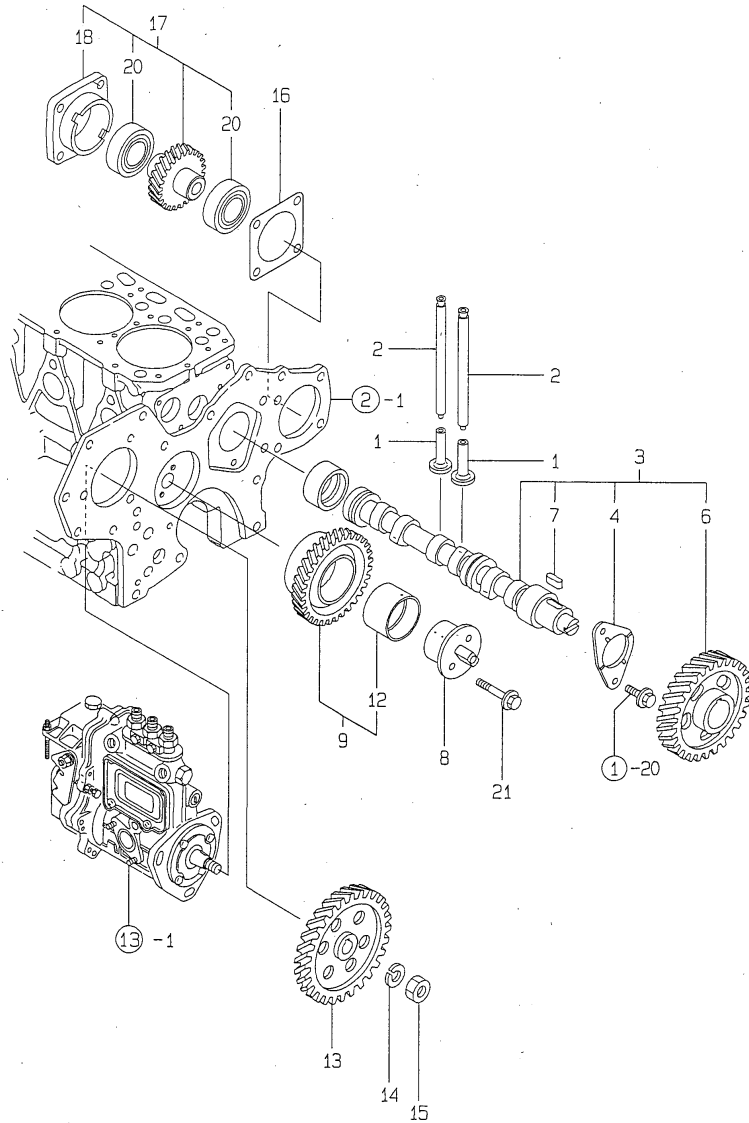
(D)=  
(E)=  
(F)=

No.	Lev.	Parts No.	Description	Q'ty						I	R
				(A)	(B)	(C)	(D)	(E)	(F)		
1	1	129107-13100	MANIFOLD, EXHAUST		1						
2	1	129150-13110	GASKET		1						G
3	1	194990-22050	NUT, M8		3						
4	1	26106-080652	BOLT, M8X 65 PLATED		2						
5	1	26106-081152	BOLT, M8X115 PLATED		1						
6	1	26216-080202	STUD, M8X 20		3						
7	1	129126-13500	SILENCER		1						
8	1	129107-13540	GASKET, SILENCER		1						G
9	1	194990-22050	NUT, M8		2						
10	1	129126-13571	PIPE, EXHAUST		1						
11	1	119629-13580	GASKET		1						G
12	1	194990-22050	NUT, M8		3						
13	1	26106-080252	BOLT, M8X 25 PLATED		3						

Remarks  
(G)THESE PARTS ARE SOLD BY FIG.20,  
REF.NO.1.

Fig.8. CAMSHAFT & DRIVING GEAR

8. CAMSHAFT & DRIVING GEAR



(A)=  
(B)=3TN84-REY  
(C)=

(D)=  
(E)=  
(F)=

No.	Lev.	Parts No.	Description	Q'ty						I	R
				(A)	(B)	(C)	(D)	(E)	(F)		
1	1	129150-14200	TAPPET		6						
2	1	129150-14400	ROD, PUSH L=178		6						
3	1	129129-14580	CAMSHAFT ASSY		1						
4	2	129150-02450	BEARING, THRUST		1						
6	2	129150-14101	GEAR, CAMSHAFT		1						
7	2	22512-070140	KEY, 7X 14		1						
8	1	129100-25061	SHAFT, IDLE		1						
9	1	129150-25101	GEAR ASSY, IDLE		1						
12	2	129150-25920	BUSH, IDLE GEAR		1						1
13	1	129150-25900	GEAR, PUMP		1						
14	1	22217-120000	WASHER, SPRING 12		1						
15	1	26716-120002	NUT, M12		1						
16	1	129150-01881	GASKET		1						G
17	1	129150-26000	DRIVE ASSY, PUMP		1						
18	2	129150-26050	BRACKET, PUMP		1						
20	2	24105-060064	BEARING, BALL 6006Z		2						
21	1	26106-080452	BOLT, M8X 45 PLATED		2						

Remarks

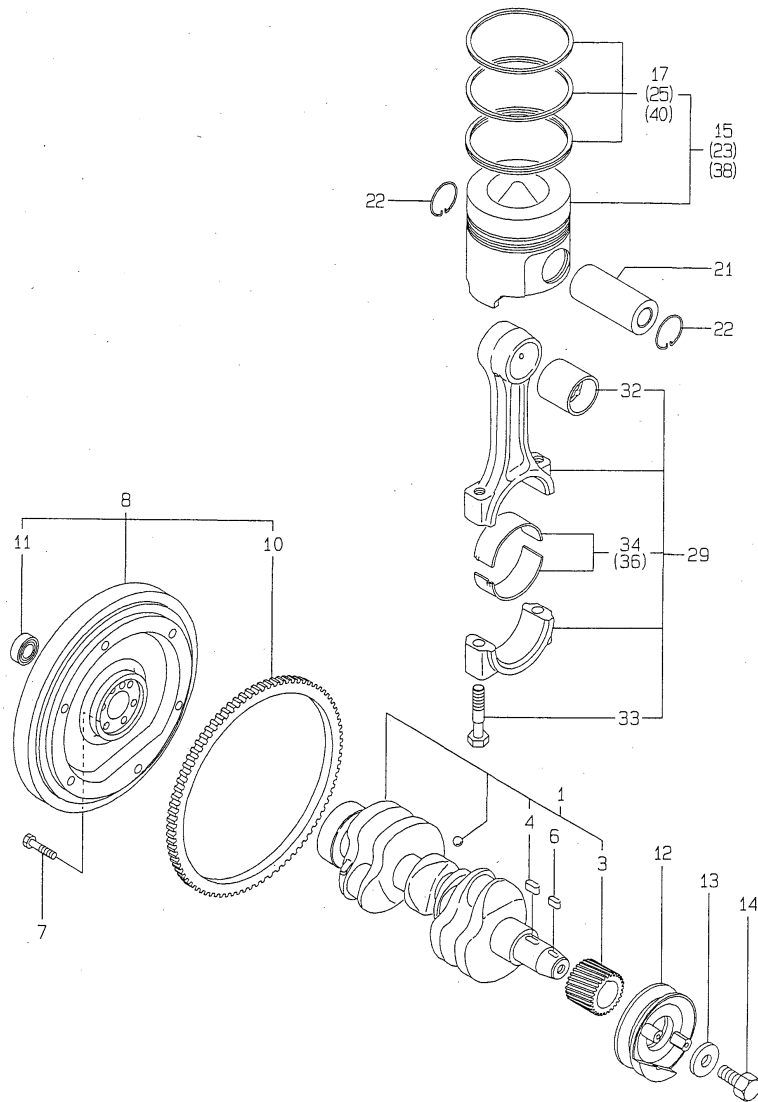
(1) REPAIR PART.  
(G) THESE PARTS ARE SOLD BY FIG.20,  
REF.NO.1.

# Fig.9. CRANKSHAFT & PISTON

(A)=  
(B)=3TN84-REY  
(C)=

(D)=  
(E)=  
(F)=

## 9. CRANKSHAFT & PISTON



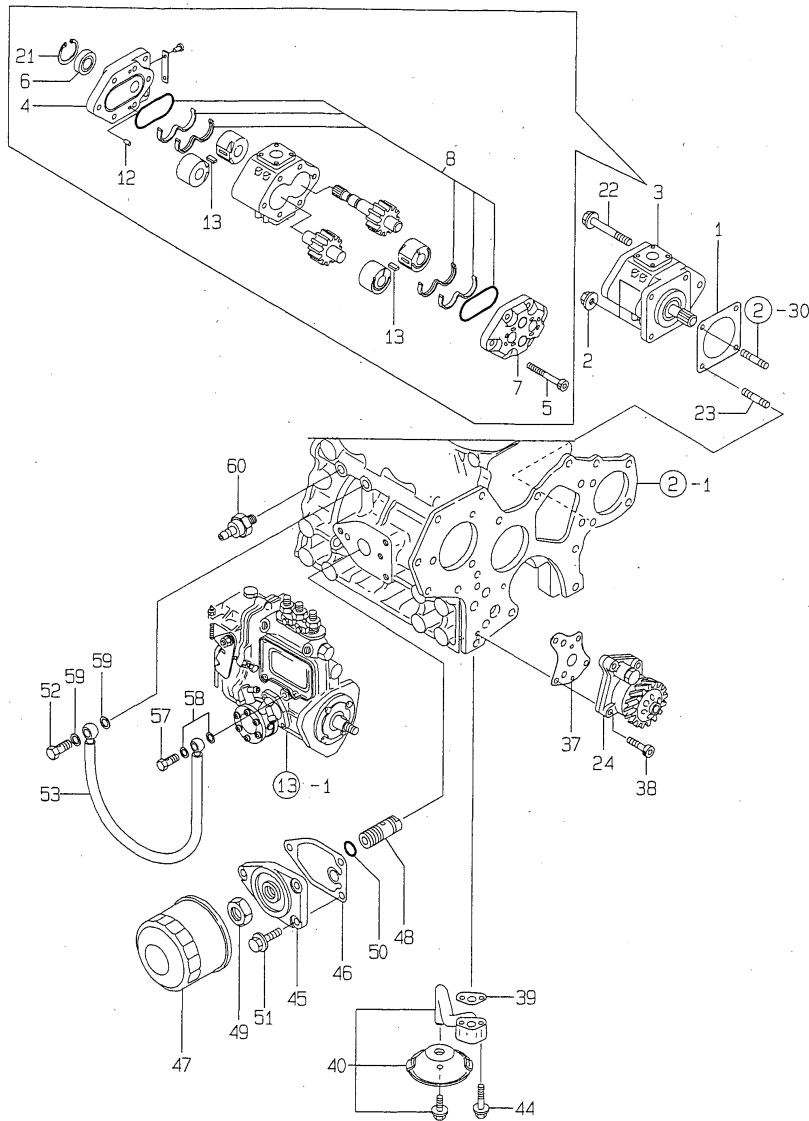
No.	Lev.	Parts No.	Description	Q'ty						I	R
				(A)	(B)	(C)	(D)	(E)	(F)		
1	1	129170-21000	CRANKSHAFT ASSY		1						
3	2	129150-21200	GEAR, CRANKSHAFT		1						
4	2	22512-070140	KEY, 7X 14		1						
6	1	22512-070160	KEY, 7X 16		1						
7	1	121111-21501	BOLT, FLYWHEEL		6						
8	1	129126-21590	FLYWHEEL ASSY		1						
10	2	124550-21600	GEAR, RING		1						
11	2	121820-21690	BEARING, 6203DDUC4		1						
12	1	129150-21651	V-PULLEY		1						
13	1	129795-21661	WASHER		1						
14	1	121850-21680	BOLT		1						
15	1	129105-22080	PISTON ASSY		3						
17	2	129105-22500	RING SET, PISTON		3						
21	1	129150-22300	PIN, PISTON D26 L66		3						
22	1	121100-22400	CIRCLIP		6						
23	1	729105-22900	PISTON ASSY, 0.25 OS		3						1
25	2	729157-22951	RING SET, 0.25 OS		3						1
29	1	729402-23100	ROD ASSY, CONNECTING		3						
32	2	129100-23910	BEARING, PISTON PIN		3						2
33	2	121550-23200	BOLT, CONNECTING ROD		6						
34	2	129150-23600	BEARING, CRANK PIN		3						
36	1	129150-23610	BEARING, 0.25 US		3						3
38	1	129105-22920	PISTON ASSY, 0.50 OS		3						4
40	2	129105-22970	RING SET, 0.50 OS		3						4

Remarks

- (1) OVER-SIZE (O.S.=0.25) PART.
- (2) REPAIR PART.
- (3) UNDER-SIZE (U.S.=0.25) PART.
- (4) OVER-SIZE (O.S.=0.50) PART.

# Fig.10. LUB.OIL SYSTEM

## 10.LUB.OIL SYSTEM



(A)=  
(B)=3TN84-REY  
(C)=

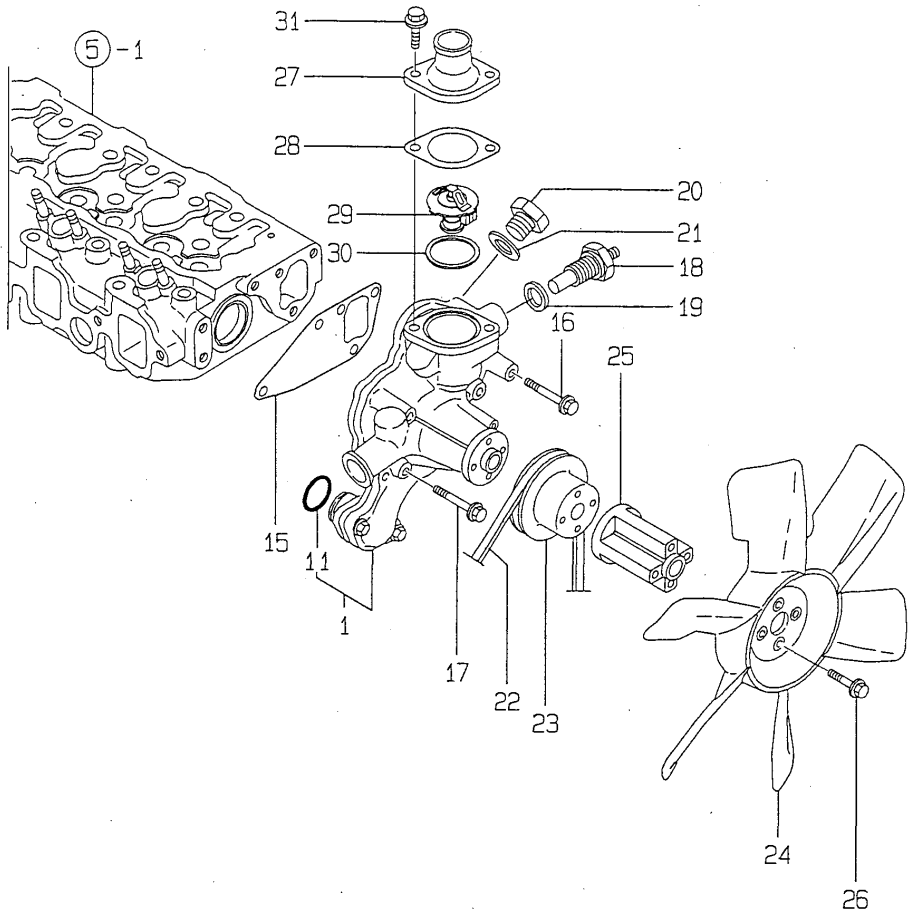
(D)=  
(E)=  
(F)=

No.	Lev.	Parts No.	Description	Qty						I	R
				(A)	(B)	(C)	(D)	(E)	(F)		
1	1	124240-01883	GASKET		1						G
2	1	194990-22050	NUT, M8		2						
3	1	198240-41110	PUMP, HY/ZFD100/13L		1						
4	2	194278-41151	FLANGE		1						
5	2	198240-41150	BOLT, M8X83.5		4						
6	2	194278-41160	SEAL, OIL TC173008		1						
7	2	194278-41190	COVER		1						
8	2	794275-41200	SEAL KIT		1						
12	2	194065-41210	PIN, PARALLEL 6X12		2						
13	2	194278-41210	KEY		2						
21	2	22252-000300	RING, 30		1						
22	1	26106-081202	BOLT, M8X120 PLATED		2						
23	1	26216-080402	STUD, M8X 40		1						
24	1	129001-32001	PUMP ASSY, OIL		1						
37	1	129150-32020	GASKET, PUMP		1						G
38	1	26450-060252	BOLT, M6X 25		4						
39	1	129150-35041	GASKET		1						G
40	1	129129-35090	PIPE ASSY, OIL INLET		1						
44	1	26106-080352	BOLT, M8X 35 PLATED		2						
45	1	129150-35101	BRACKET, STRAINER		1						
46	1	129150-35111	GASKET		1						G
47	1	129150-35151	FILTER, D80XL80		1						
48	1	129001-35300	BOLT, FILTER		1						
49	1	129150-35350	NUT		1						
50	1	24311-000160	O-RING, 1AP16.0		1						
51	1	26106-080202	BOLT, M8X 20 PLATED		3						
52	1	124160-39140	BOLT, PIPE JOINT M10		1						
53	1	129150-39450	PIPE ASSY, OIL		1						
57	1	124550-59820	BOLT, PIPE JOINT M8		1						
58	1	23414-080000	GASKET, 8X1.0		2						
59	1	23414-100000	GASKET, 10X1.0		2						
60	1	124160-39450	SWITCH, 0.5KG		1						

Remarks  
(G)THESE PARTS ARE SOLD BY FIG.20,  
REF.NO.1.

Fig.11. COOLING WATER PUMP

11.COOLING WATER PUMP



(A)=  
(B)=3TN84-REY  
(C)=

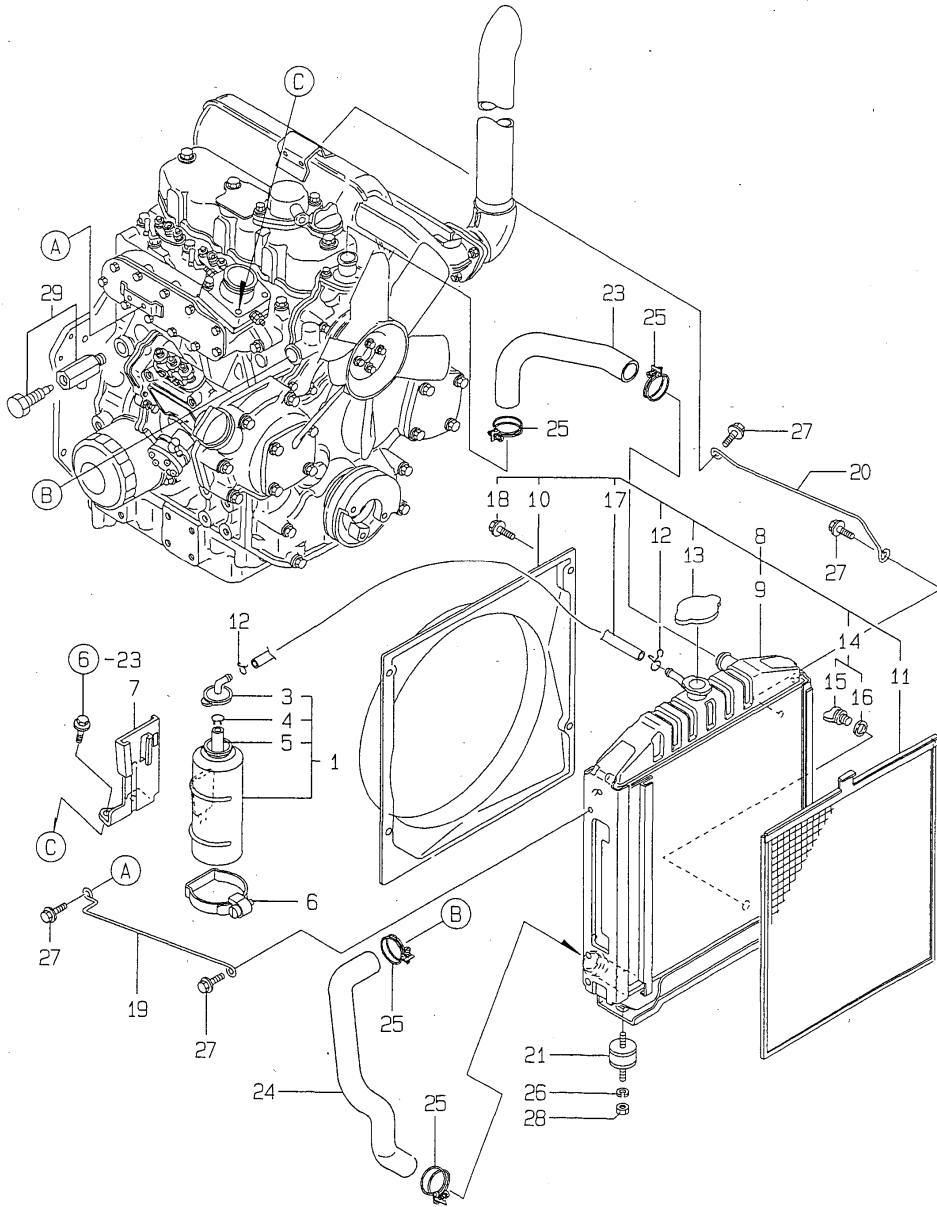
(D)=  
(E)=  
(F)=

No.	Lev.	Parts No.	Description	Q'ty						I	R
				(A)	(B)	(C)	(D)	(E)	(F)		
1	1	129107-42002	PUMP ASSY, WATER		1						
11	2	129150-42320	O-RING		1						
15	1	129150-42020	GASKET, WATER PUMP		1						G
16	1	26106-080552	BOLT, M8X 55 PLATED		3						
17	1	26106-080602	BOLT, M8X 60 PLATED		1						
18	1	124250-49351	SENSOR		1						
19	1	129150-49360	GASKET		1						G
20	1	121450-42450	PLUG, M16		1						
21	1	124465-44950	GASKET, 16		1						G
22	1	124722-42290	V-BELT, A40		1						
23	1	129403-42380	V-PULLEY, D=110		1						
24	1	129354-44740	FAN, COOLING		1						
25	1	129126-44760	SPACER, FAN		1						
26	1	26106-060902	BOLT, M6X 90 PLATED		4						
27	1	129350-49530	COVER, THERMOSTAT		1						
28	1	129795-49551	GASKET		1						G
29	1	129155-49800	THERMOSTAT, 71		1						
30	1	129150-49811	GASKET, THERMOSTAT		1						G
31	1	26106-080202	BOLT, M8X 20 PLATED		2						

Remarks  
(G)THESE PARTS ARE SOLD BY FIG.20,  
REF.NO.1.

Fig.12. RADIATOR

12. RADIATOR



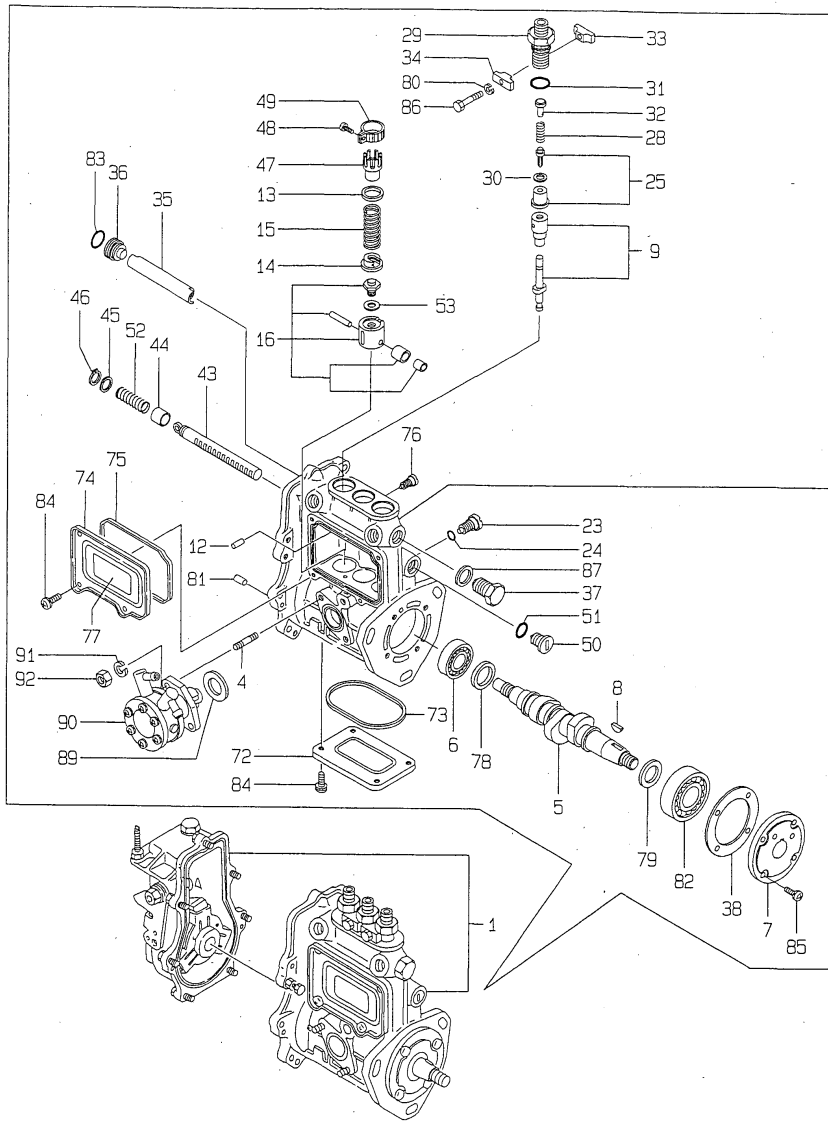
(A)=  
(B)=3TN84-REY  
(C)=

(D)=  
(E)=  
(F)=

No.	Lev.	Parts No.	Description	Q'ty						I	R
				(A)	(B)	(C)	(D)	(E)	(F)		
1	1	121252-44510	TANK ASSY, SUB		1						
3	2	121450-44530	CAP		1						
4	2	124450-44560	RETAINER		1						
5	2	23061-070230	PIPE, 7X 230		1						
6	1	121750-44550	BAND, TANK		1						
7	1	129126-44610	BRACKET, SUB TANK		1						
8	1	129126-44500	RADIATOR ASSY		1						
9	2	129126-44550	BODY, RADIATOR		1						
10	2	129126-44560	SHROUD		1						
11	2	129126-44570	PROTECTOR		1						
12	2	121250-44590	CLAMP		2						
13	2	129129-44590	CAP, RADIATOR		1						
14	2	129150-49080	COCK, DRAIN		1						
15	3	119629-49070	COCK, DRAIN		1						
16	3	119629-49080	GASKET		1						
17	2	121250-49160	PIPE, WATER DRAIN		1						
18	2	26014-060122	BOLT, M6X 12		4						
19	1	129126-44650	RETAINER, RADIATOR		1						
20	1	129126-44660	RETAINER, RADIATOR		1						
21	1	129550-44660	ABSORBER		2						
23	1	129126-49010	HOSE, WATER		1						
24	1	129126-49020	HOSE, WATER		1						
25	1	121267-49500	BAND, 38		4						
26	1	22212-100000	SPRING WASHER 10		2						
27	1	26106-080162	BOLT, M8X 16 PLATED		4						
28	1	26716-100002	NUT, M10		2						
29	1	119620-49290	COCK ASSY, 1/4		1						

Fig.13. FUEL INJECTION PUMP

13.FUEL INJECTION PUMP



(A)=  
(B)=3TN84-REY  
(C)=

(D)=  
(E)=  
(F)=

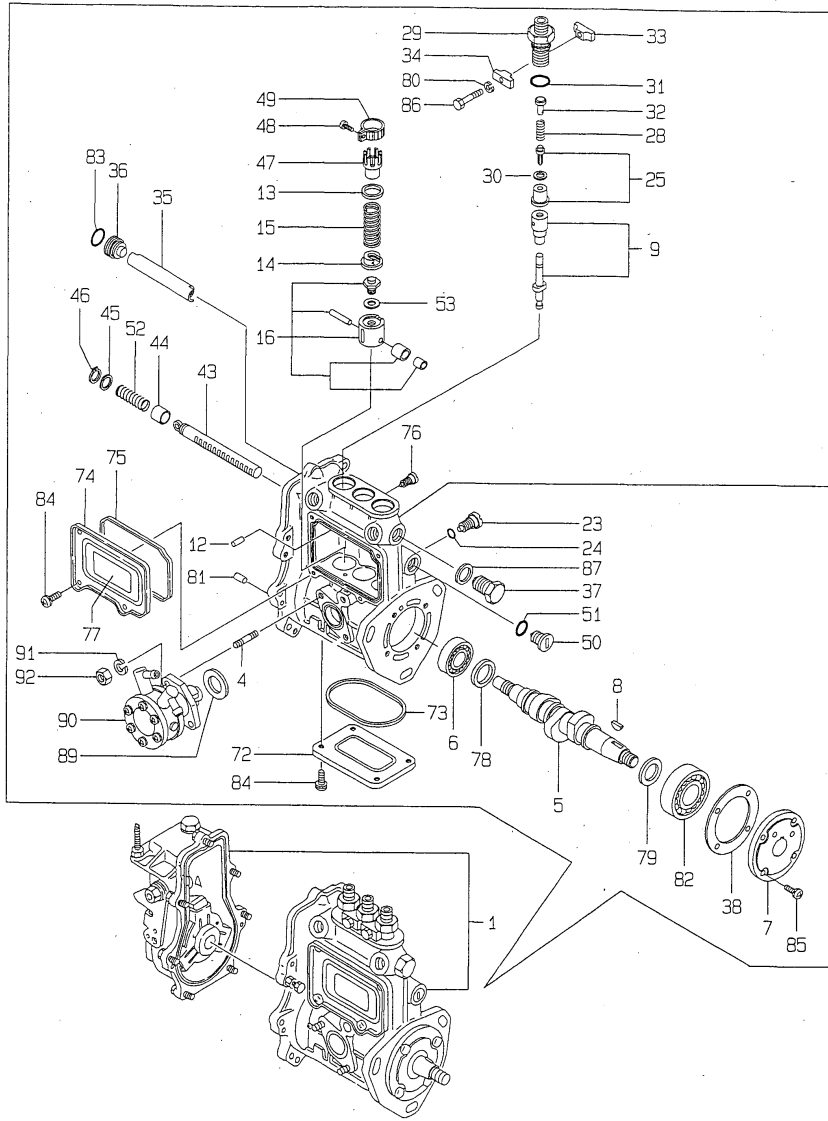
No.	Lev.	Parts No.	Description	Q'ty						I	R
				(A)	(B)	(C)	(D)	(E)	(F)		
1	1	729126-51360	PUMP ASSY, INJECTION		1						1
4	2	129155-51020	STUD		2						
5	2	119810-51040	CAMSHAFT		1						
6	2	129155-51050	BEARING, 17BM001D		1						
7	2	129155-51060	SUPPORT, CAMSHAFT		1						
8	2	122710-51090	KEY		1						
9	2	129400-51100	PLUNGER ASSY		3						
12	2	129155-51140	PIN		3						
13	2	174307-51170	RETAINER, SPRING A		3						
14	2	129155-51180	RETAINER, SPRING		3						
15	2	124950-51190	SPRING, PLUNGER		3						
16	2	129155-51200	TAPPET ASSY		3						
23	2	129155-51270	STOPPER, TAPPET		3						
24	2	129155-51280	O-RING, S6		3						
25	2	128170-51300	VALVE ASSY, DELIVERY		3						
28	2	129155-51320	SPRING, DELIVERY		3						
29	2	129155-51340	RETAINER		3						
30	2	124550-51350	GASKET, DELIVERY		3						
31	2	124550-51370	O-RING		3						
32	2	129155-51370	STOPPER, VALVE		3						
33	2	129155-51380	STOPPER		2						
34	2	129155-51390	STOPPER		2						
35	2	129155-51400	DEFLECTOR		1						
36	2	129155-51410	BOLT		1						
37	2	129155-51420	PLUG, M16		1						
38	2	129155-51450	SHIM SET, ADJUSTING		1						
43	2	129155-51500	RACK, CONTROL		1						
44	2	129155-51521	BUSH, RACK		1						
45	2	129155-51530	SPACER		1						
46	2	129155-51540	CIRCLIP		1						
47	2	129155-51550	PINION, CONTROL		3						
48	2	122117-51560	SCREW		3						
49	2	174307-51560	PINION		3						
50	2	129155-51570	PLUG, M12		1						
51	2	129155-51580	O-RING		1						
52	2	129155-51591	SPRING, RACK		1						
53	2	129155-51600	SHIM SET, ADJUSTING		3						
72	2	129155-51700	COVER		1						
73	2	129155-51710	GASKET		1						
74	2	129155-51750	COVER		1						
75	2	129155-51760	GASKET		1						
76	2	129155-51790	STOOPER, RACK		1						
77	2	129156-51910	LABEL, CAUTION		1						
78	2	129155-51930	SPACER, T=3.25		1						
79	2	129155-51940	SPACER, T=1.5		1						
80	2	22217-050000	WASHER, SPRING 5		2						
81	2	22351-050010	PIN, SPRING 5.0X10		2						
82	2	24101-063034	BEARING, BALL 6303		1						
83	2	24341-000160	O-RING, 1AS16.0		1						
84	2	26022-050102	SCREW, M5X10		8						
85	2	26022-060162	SCREW, M6X16		4						

Remarks  
(1)GOVERNOR ASSY(FIG.NO.14)IS  
INCORPORATED IN THIS FUEL  
INJECTION PUMP ASSY(REF.NO.1)



Fig.13. FUEL INJECTION PUMP

13.FUEL INJECTION PUMP



(A)=  
(B)=3TN84-REY  
(C)=

(D)=  
(E)=  
(F)=

No.	Lev.	Parts No.	Description	Q'ty						I	R
				(A)	(B)	(C)	(D)	(E)	(F)		
86	2	26116-050302	BOLT, M5X 30 PLATED		2						
87	2	22190-160002	WASHER, SEAL 16		1						
89	2	129155-52050	GASKET		1						
90	2	171353-52100	PUMP ASSY, FUEL FEED		1						
91	2	22217-060000	WASHER, SPRING 6		2						
92	2	26716-060002	NUT, M6		2						

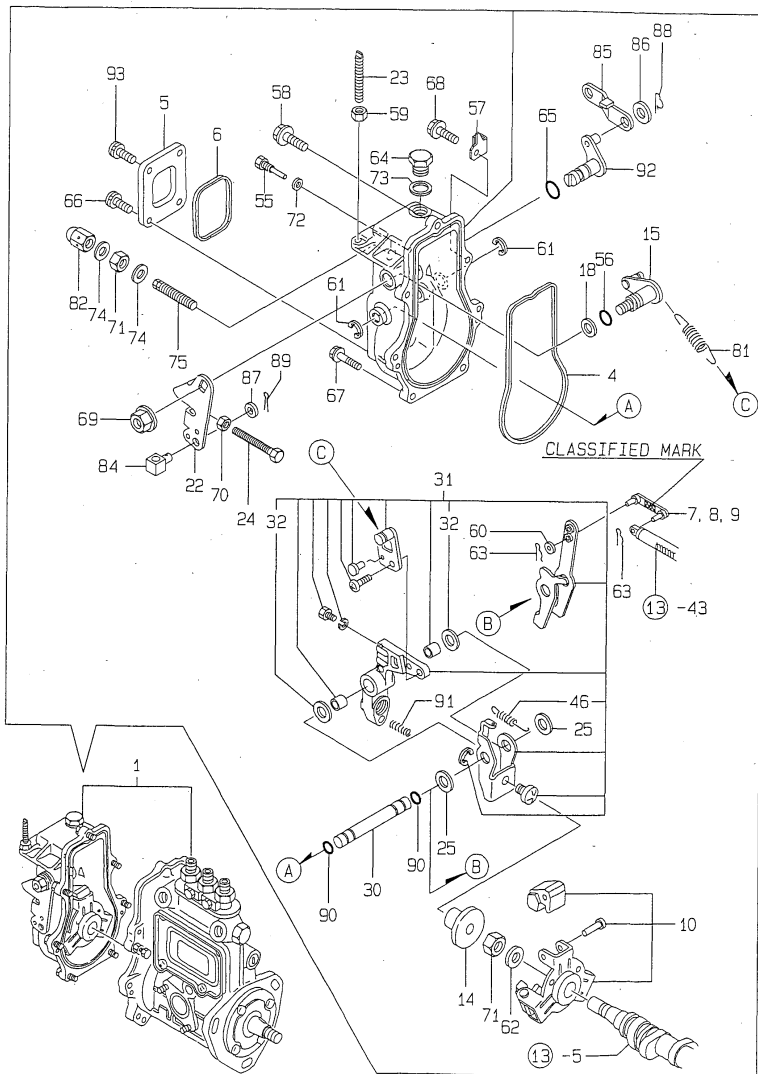
Remarks  
(1)GOVERNOR ASSY(FIG.NO.14)IS  
INCORPORATED IN THIS FUEL  
INJECTION PUMP ASSY(REF.NO.1)

Fig.14. GOVERNOR

(A)=  
(B)=3TN84-REY  
(C)=

(D)=  
(E)=  
(F)=

14. GOVERNOR



No.	Lev.	Parts No.	Description	Q'ty						I	R
				(A)	(B)	(C)	(D)	(E)	(F)		
1	1	729126-51360	PUMP ASSY, INJECTION	1							1
4	2	129155-61050	GASKET	1							
5	2	129155-61060	COVER, GOVERNOR CASE	1							
6	2	129155-61070	GASKET	1							
7	2	129155-61120	LINK, L=30 MARK 0	1							2
8	2	129155-61130	LINK, L=31 MARK 1	1							2
9	2	129155-61140	LINK, L=30.5 MARK 05	1							2
10	2	129155-61201	WEIGHT ASSY, GOVERNOR	1							
14	2	129155-61341	SLEEVE	1							
15	2	129100-61400	SHAFT ASSY	1							
18	2	129155-61430	SPACER	1							
22	2	129100-61440	LEVER, CONTROL	1							
23	2	129155-61450	BOLT, LIMITER	1							
24	2	129155-61460	BOLT, IDLE	1							
25	2	129155-61480	SPACER ASSY	2							
30	2	129155-61490	SHAFT	1							
31	2	119843-61500	LEVER ASSY, GOVERNOR	1							
32	3	174307-51700	SHIM SET	2							
46	3	119843-61540	SPRING, SET	1							
55	2	129155-61810	PIN	1							
56	2	129155-61830	O-RING, S10	1							
57	2	129116-61890	SUPPORT	1							
58	2	129155-61950	BOLT	1							
59	2	124550-66370	NUT, M6	1							
60	2	22117-040000	WASHER, 4	1							
61	2	22272-000060	RING, E- 6	2							
62	2	22287-120000	WASHER, 12	1							
63	2	22372-040000	PIN, SNAP 4	2							
64	2	23887-100002	PLUG, 10	1							
65	2	24311-240100	O-RING, 1AP10A	1							
66	2	26022-050102	SCREW, M5X10	2							
67	2	26106-060202	BOLT, M6X 20 PLATED	5							
68	2	26106-060252	BOLT, M6X 25 PLATED	1							
69	2	26366-080002	NUT, M8	1							
70	2	26756-060002	NUT, LOCK M6	1							
71	2	26776-120002	NUT, LOCK M12	2							
72	2	22190-060002	WASHER, SEAL 6	1							
73	2	22190-100002	WASHER, SEAL 10	1							
74	2	22190-120002	WASHER, SEAL 12	2							
75	2	129129-61450	LIMITER ASSY, FUEL	1							
81	2	171353-61710	SPRING, GOVERNOR	1							
82	2	26687-120002	NUT, CAP M12	1							
84	2	194150-01370	ADJUSTER	1							
85	2	129129-66860	LINK, SOLENOID	1							
86	2	22117-080000	WASHER, 8	1							
87	2	22137-080000	WASHER, 8	1							
88	2	22372-080000	PIN, SNAP 8	1							
89	2	22417-160180	PIN, COTTER 1.6X18	1							
90	2	129155-51280	O-RING, S6	2							
91	2	129100-61650	SPRING, CONTROLLER	1							
92	2	129129-61801	LEVER ASSY, STOP	1							

Remarks

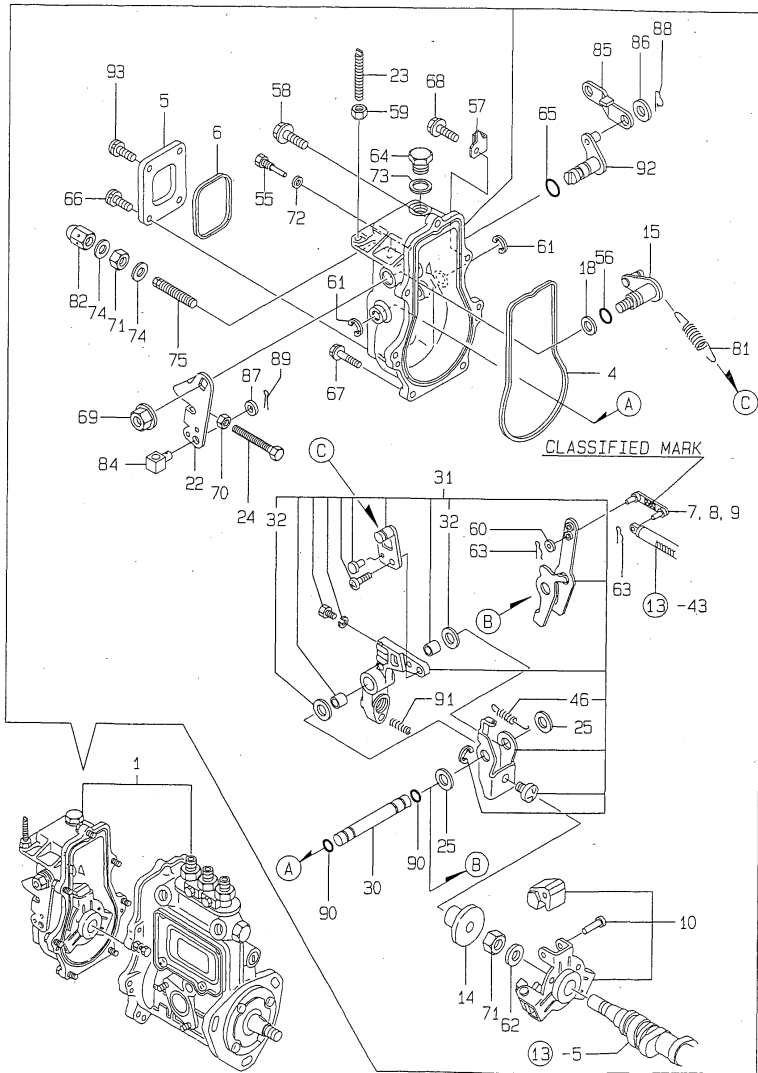
- (1) FUEL INJECTION PUMP ASSY(FIF.NO.13)  
IS INCORPORATED IN THIS FUEL  
INJECTION PUMP ASSY(REF.NO.1)
- (2) SELECTIVE PARTS: CERTAIN THE  
CLASSIFICATION MARK, THEN PLACE  
YOUR ORDER(REFER TO ILLUSTRATION).

Fig.14. GOVERNOR

(A)=  
(B)=3TN84-REY  
(C)=

(D)=  
(E)=  
(F)=

14. GOVERNOR



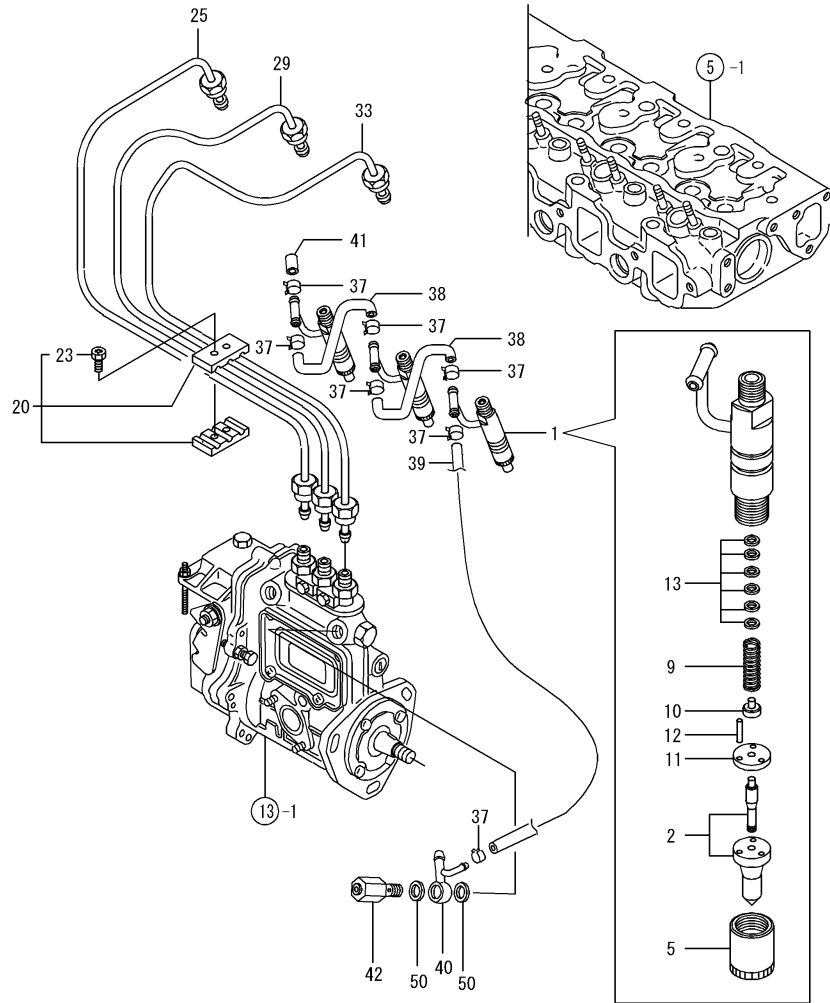
No.	Lev.	Parts No.	Description	Q'ty						I	R
				(A)	(B)	(C)	(D)	(E)	(F)		
93	2	26023-050102	SCREW, M5X10			2					

Remarks  
 (1) FUEL INJECTION PUMP ASSY (FIF. NO. 13)  
 IS INCORPORATED IN THIS FUEL  
 INJECTION PUMP ASSY (REF. NO. 1)  
 (2) SELECTIVE PARTS: CERTAIN THE  
 CLASSIFICATION MARK, THEN PLACE  
 YOUR ORDER (REFER TO ILLUSTRATION).

Fig.15. FUEL INJECTION VALVE

(A)=  
(B)=3TN84-REY  
(C)=

(D)=  
(E)=  
(F)=

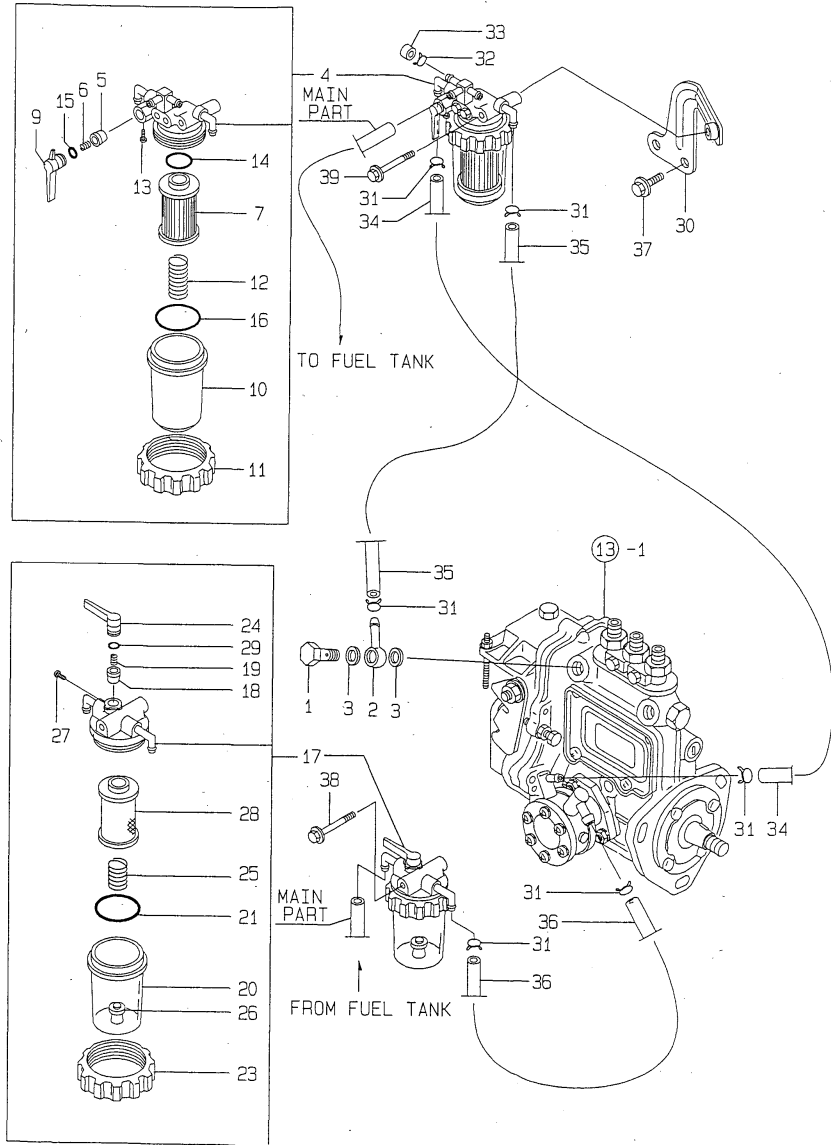


No.	Lev.	Parts No.	Description	Q'ty						I	R	
				(A)	(B)	(C)	(D)	(E)	(F)			
1	1	729503-53100	VALVE ASSY,INJECTION		3							
2	2	129503-53000	VALVE ASSY,INJECTION		3							
5	2	114250-53080	NUT, NOZZLE D16.95		3							
9	2	114250-53120	SPRING, NOZZLE		3							
10	2	114250-53130	SEAT, SPRING		3							
11	2	114250-53140	PLATE		3							
12	2	114250-53210	PIN		6							
13	2	114250-53400	SHIM SET		3							
20	1	129150-59120	RETAINER, PIPE		1							
23	2	129150-59131	BOLT, M4X14		2							
25	1	129107-59810	PIPE ASSY, INJECTION		1							
29	1	129107-59820	PIPE ASSY, INJECTION		1							
33	1	129107-59830	PIPE ASSY, INJECTION		1							
37	1	124066-59100	CLIP, HOSE 8		7							
38	1	121250-59550	PIPE, FUEL D8X120		2							
39	1	119840-59560	PIPE, FUEL RETURN		1							
40	1	119840-59570	JOINT		1							
41	1	129150-59580	CAP		1							
42	1	129100-59951	VALVE ASSY, CHECK		1							
50	1	23414-120000	GASKET, 12X1.0		2							G

Remarks  
(G)THESE PARTS ARE SOLD BY FIG.20,  
REF.NO.1.

Fig.16. FUEL LINE

16.FUEL LINE



(A)=  
(B)=3TN84-REY  
(C)=

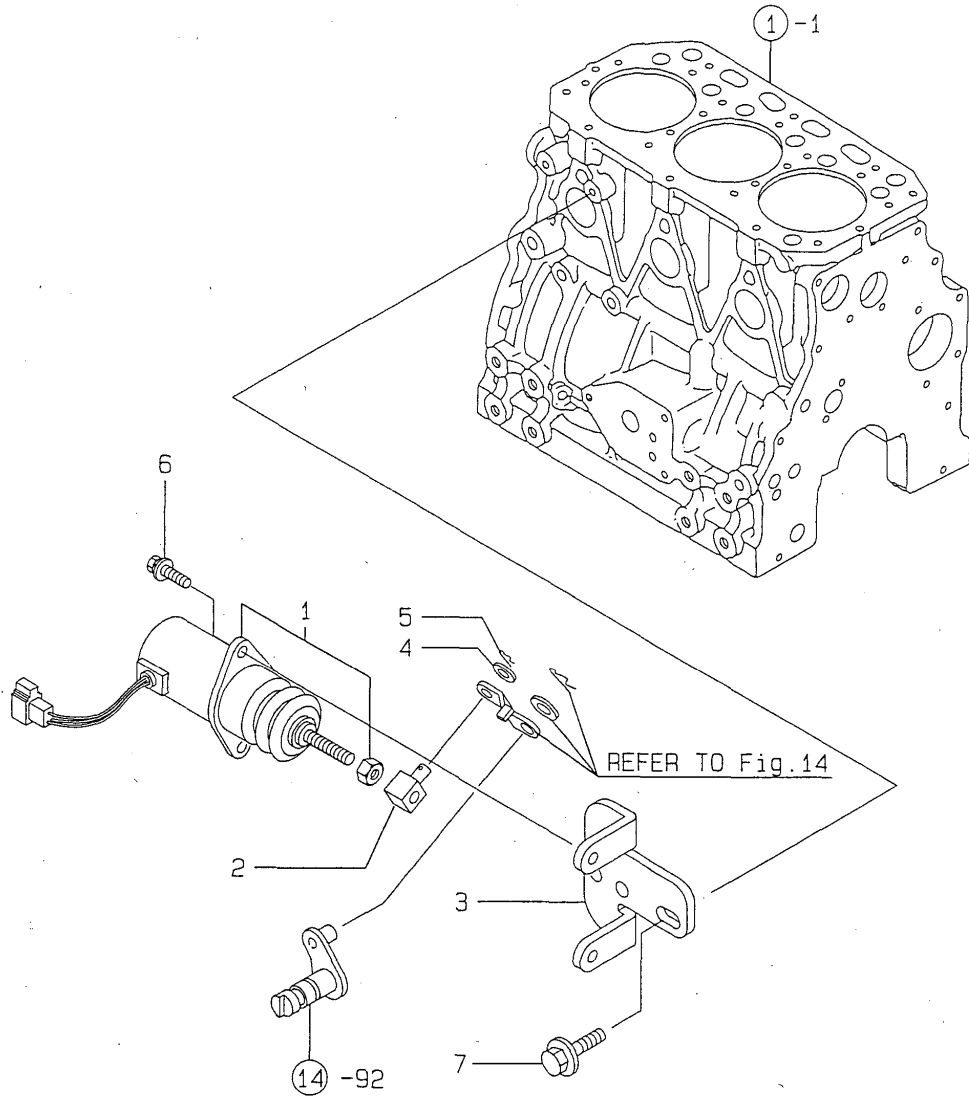
(D)=  
(E)=  
(F)=

No.	Lev.	Parts No.	Description	Qty						I	R
				(A)	(B)	(C)	(D)	(E)	(F)		
1	1	103854-39140	BOLT, PIPE JOINT		1						
2	1	101304-59020	JOINT, PIPE 12		1						
3	1	104200-59170	GASKET, 12		2						G
4	1	129100-55621	FILTER ASSY, FUEL		1						
5	2	104200-55321	VALVE, TAPER		1						
6	2	104200-55330	SPRING, VALVE		1						
7	2	129100-55650	ELEMENT		1						
9	2	129100-55670	LEVER		1						
10	2	129100-55680	CUP, STRAINER		1						
11	2	129100-55690	RING, RETAINING		1						
12	2	129100-55700	SPRING		1						
13	2	104200-55750	SCREW, M4		1						
14	2	24311-000160	O-RING, 1AP16.0		1						
15	2	24311-240100	O-RING, 1AP10A		1						
16	2	24321-000650	O-RING, 1AG65.0		1						
17	1	129450-55702	SEPARATOR, WATER		1						
18	2	104200-55321	VALVE, TAPER		1						
19	2	104200-55330	SPRING, VALVE		1						
20	2	124064-55510	COVER		1						
21	2	102103-55520	O-RING		1						
23	2	110250-55610	RING, RETAINING		1						
24	2	129100-55670	LEVER		1						
25	2	121257-55720	SPRING		1						
26	2	121257-55731	FLOAT		1						
27	2	104200-55750	SCREW, M4		1						
28	2	171081-55910	SCREEN		1						
29	2	24311-240100	O-RING, 1AP10A		1						
30	1	129126-55710	BRACKET, FILTER		1						
31	1	124766-59050	CLIP, HOSE 12		6						
32	1	124066-59100	CLIP, HOSE 8		1						
33	1	129150-59580	CAP		1						
34	1	23980-730335	HOSE, 7.3X 335		1						
35	1	23980-730450	HOSE, 7.3X 450		1						
36	1	23980-730500	HOSE, 7.3X 500		1						
37	1	26106-080142	BOLT, M8X 14 PLATED		2						
38	1	26106-080602	BOLT, M8X 60 PLATED		1						
39	1	26106-080752	BOLT, M8X 75 PLATED		1						

Remarks  
(G)THESE PARTS ARE SOLD BY FIG.20,  
REF.NO.1.

Fig.17. ENGINE STOP DEVICE

17.ENGINE STOP DEVICE



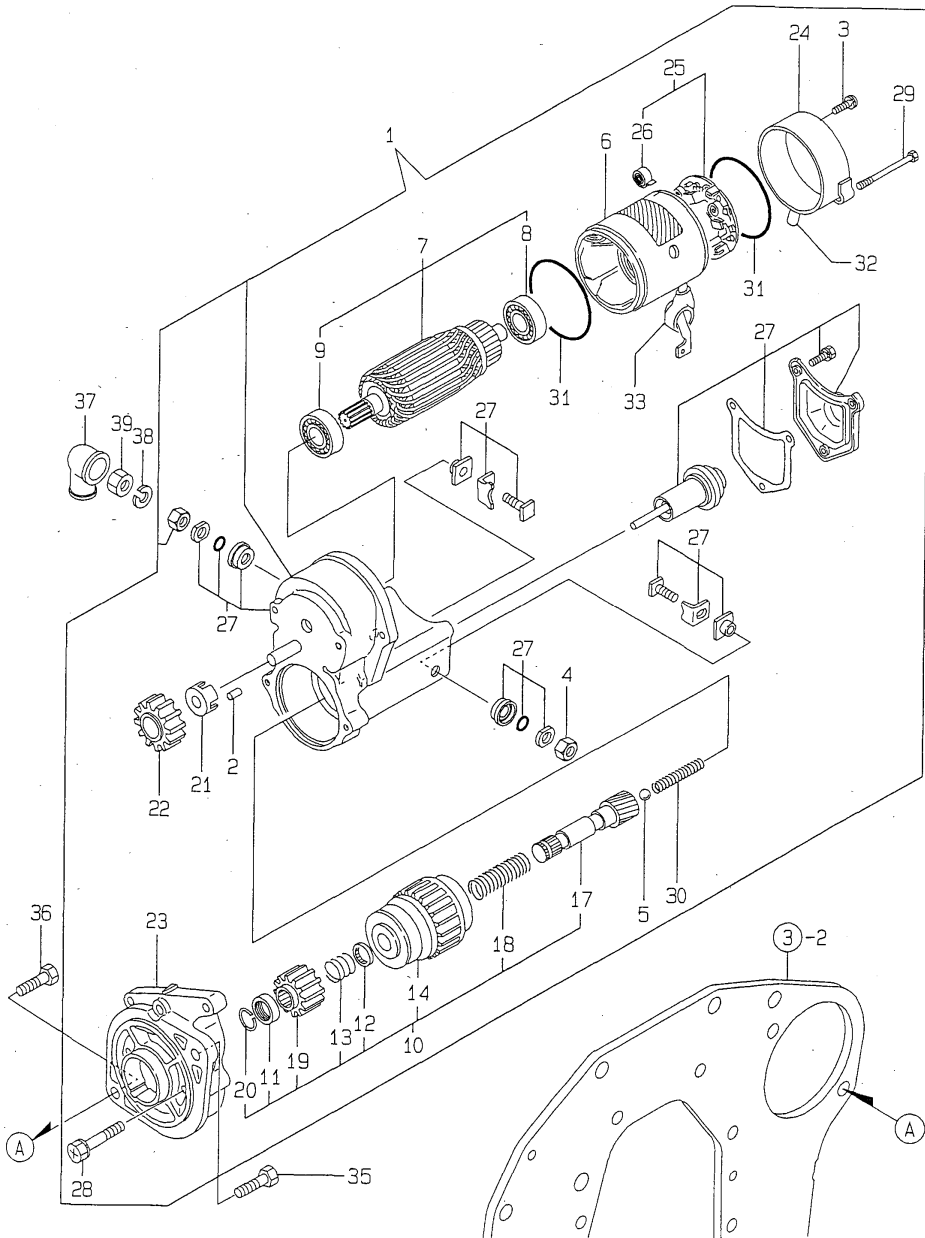
(A)=  
(B)=3TN84-REY  
(C)=

(D)=  
(E)=  
(F)=

No.	Lev.	Parts No.	Description	Q'ty						I	R
				(A)	(B)	(C)	(D)	(E)	(F)		
1	1	119629-66800	SOLENOID		1						
2	1	119620-66820	JOINT		1						
3	1	119820-66870	BRACKET, SOLENOID		1						
4	1	22117-060000	WASHER, 6		1						
5	1	22360-060000	PIN, SNAP 6		1						
6	1	26106-060102	BOLT, M6X 10 PLATED		2						
7	1	26106-080162	BOLT, M8X 16 PLATED		2						

Fig.18. STARTING MOTOR

18. STARTING MOTOR



(A)=  
(B)=3TN84-REY  
(C)=

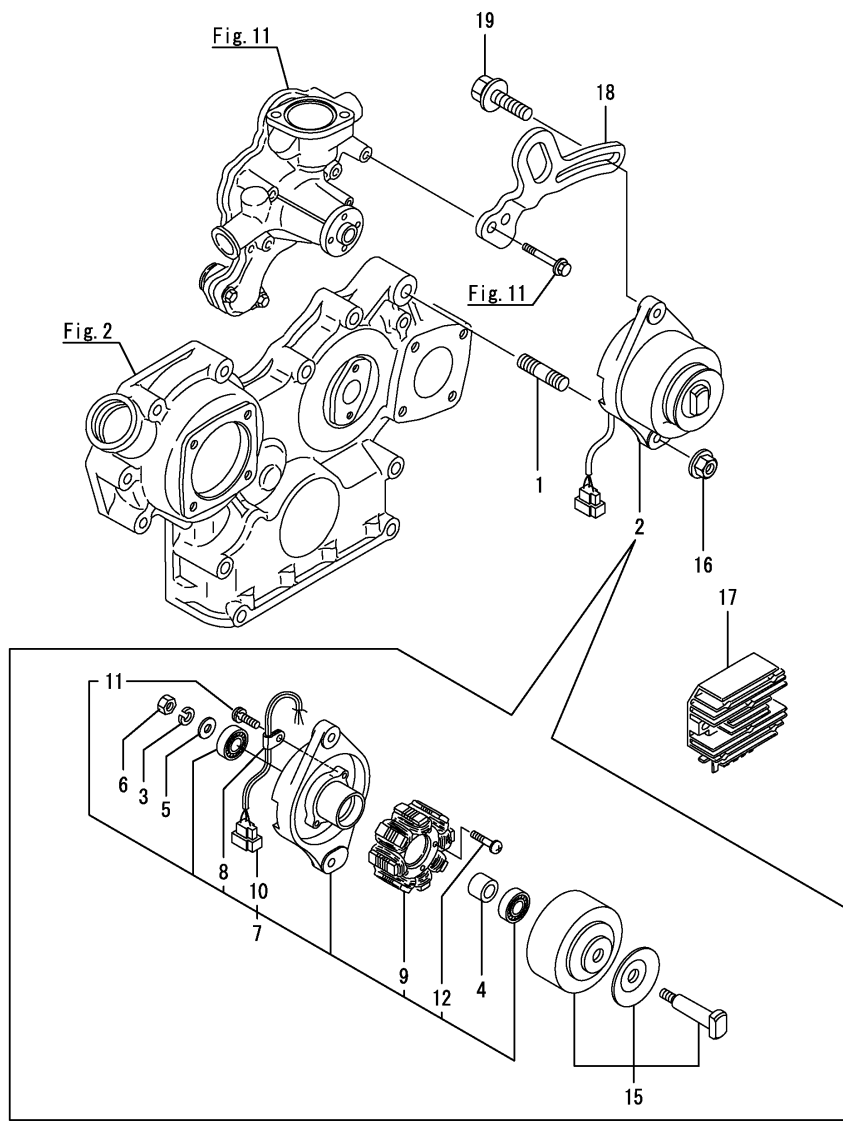
(D)=  
(E)=  
(F)=

No.	Lev.	Parts No.	Description	Q'ty						I	R
				(A)	(B)	(C)	(D)	(E)	(F)		
1	1	129129-77010	STARTER ASSY		1						
2	2	X0283060061	ROLLER		5						
3	2	X0289030010	SCREW		2						
4	2	X9490561370	NUT		1						
5	2	X9491200240	BALL		1						
6	2	129129-77210	YOKE ASSY		1						
7	2	129129-77220	ARMATURE ASSY		1						
8	3	129129-77230	BEARING		1						
9	3	129129-77240	BEARING		1						
10	2	129129-77250	STARTER		1						
11	3	X0280210230	NUT		1						
12	3	X0283270140	RETAINER		1						
13	3	X9491703371	SPRING, COIL		1						
14	3	129129-77390	CLUTCH ASSY		1						
17	3	129129-77400	SHAFT		1						
18	3	129129-77410	SPRING, COIL		1						
19	3	129129-77420	PINION, STARTER		1						
20	3	129129-77430	RING		1						
21	2	129129-77260	RETAINER		1						
22	2	129129-77270	PINION		1						
23	2	129129-77280	HOUSING		1						
24	2	129129-77290	FRAME		1						
25	2	129129-77300	HOLDER ASSY		1						
26	3	X9491730461	SPRING		4						
27	2	129129-77310	SWITCH ASSY		1						
28	2	129129-77320	BOLT		2						
29	2	129129-77330	BOLT		2						
30	2	129129-77340	SPRING		1						
31	2	129129-77350	O-RING		2						
32	2	129129-77361	BUSH		1						
33	2	129129-77380	CAP		1						
35	1	129155-77060	BOLT		1						
36	1	26116-120202	BOLT, M12X 20 PLATED		1						
37	1	124550-77030	COVER, TERMINAL		1						
38	1	22217-080000	WASHER, SPRING 8		1						
39	1	26756-080002	NUT, LOCK M8		1						

Fig.19. GENERATOR

(A)=  
(B)=3TN84-REY  
(C)=

(D)=  
(E)=  
(F)=

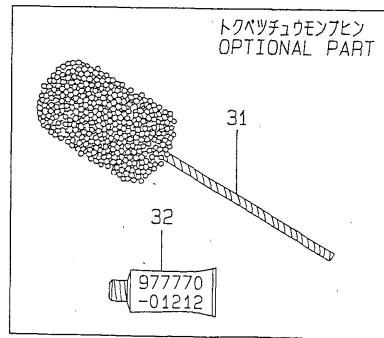
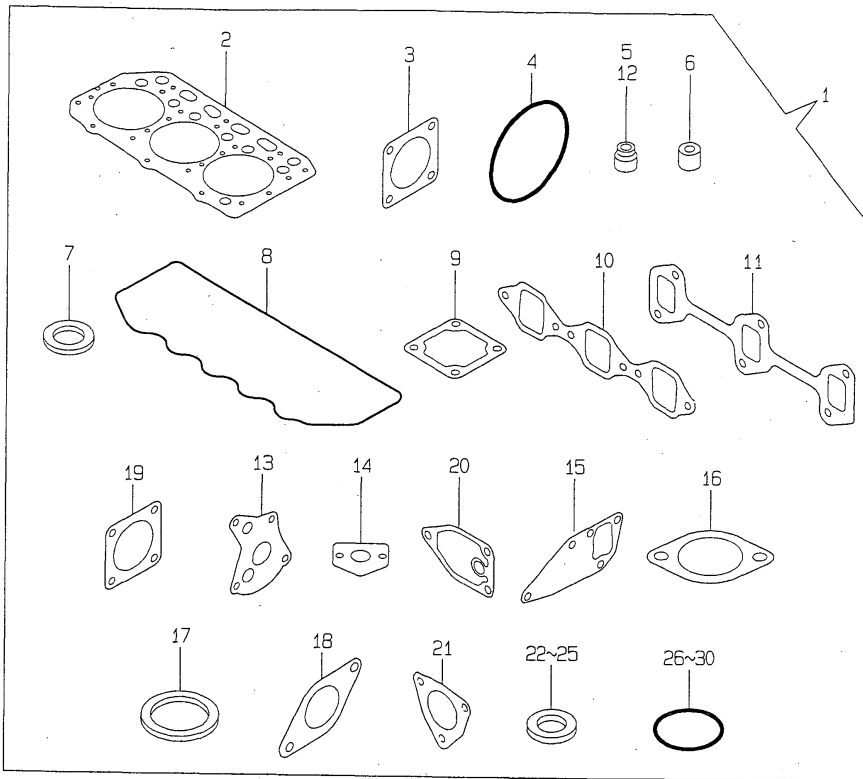


No.	Lev.	Parts No.	Description	Q'ty						I	R
				(A)	(B)	(C)	(D)	(E)	(F)		
1	1	121450-01570	BOLT, STUD		1						
2	1	129150-77202	GENERATOR		1						
3	2	XM219230000	WASHER, SPRING		1						
4	2	XM329830000	COLLAR		1						
5	2	XM860250000	WASHER, 10		1						
6	2	XM863720000	NUT		1						
7	2	129150-77210	PLATE ASSY		1						
8	3	XM069000000	CLAMP		1						
9	3	XM081780000	STATOR		1						
10	3	XM178780000	COUPLER		1						
11	3	XYSPS400800	SCREW		1						
12	3	XYSPS402400	SCREW		2						
15	2	129150-77230	FLYWHEEL ASSY		1						
16	1	26366-100002	NUT, M10		1						
17	1	129150-77710	LIMITER, CURRENT 20A		1						
18	1	129466-77331	ADJUSTER		1						
19	1	26014-080252	BOLT, M8X 25		1						



Fig.20. GASKET SET

20. GASKET SET



(A)=  
(B)=3TN84-REY  
(C)=

(D)=  
(E)=  
(F)=

No.	Lev.	Parts No.	Description	Q'ty						I	R
				(A)	(B)	(C)	(D)	(E)	(F)		
1	1	729126-92600	GASKET SET		1						1
2	2	129157-01333	GASKET, HEAD		1						
3	2	124240-01883	GASKET		3						
4	2	121850-51960	O-RING		1						
5	2	124460-11340	SEAL, VALVE STEM		3						
6	2	119625-11870	PROTECTOR, NOZZLE		3						
7	2	119625-11880	SEAT, NOZZLE		3						
8	2	129150-11310	GASKET, BONNET		1						
9	2	129150-77511	GASKET		1						
10	2	129150-12111	GASKET, MANIFOLD		1						
11	2	129150-13110	GASKET		1						
12	2	121400-11340	SEAL, VALVE STEM		3						
13	2	129150-32020	GASKET, PUMP		1						
14	2	129150-35041	GASKET		1						
15	2	129150-42020	GASKET, WATER PUMP		1						
16	2	129795-49551	GASKET		1						
17	2	129150-49811	GASKET, THERMOSTAT		1						
18	2	129107-13540	GASKET, SILENCER		1						
19	2	129150-01881	GASKET		1						
20	2	129150-35111	GASKET		1						
21	2	119629-13580	GASKET		1						
22	2	124465-44950	GASKET, 16		1						
23	2	129150-49360	GASKET		1						
24	2	104200-59170	GASKET, 12		2						
25	2	23414-120000	GASKET, 12X1.0		2						
26	2	24311-000120	O-RING, 1AP12.0		3						
27	2	24311-000160	O-RING, 1AP16.0		3						
28	2	24311-000320	O-RING, 1AP32.0		2						
29	2	24341-000240	O-RING, 1AS24.0		1						
30	2	24341-000500	O-RING, 1AS50.0		1						
31	1	129400-92420	HONE		1						1
32	1	977770-01212	GASKET, LIQUID		1						1

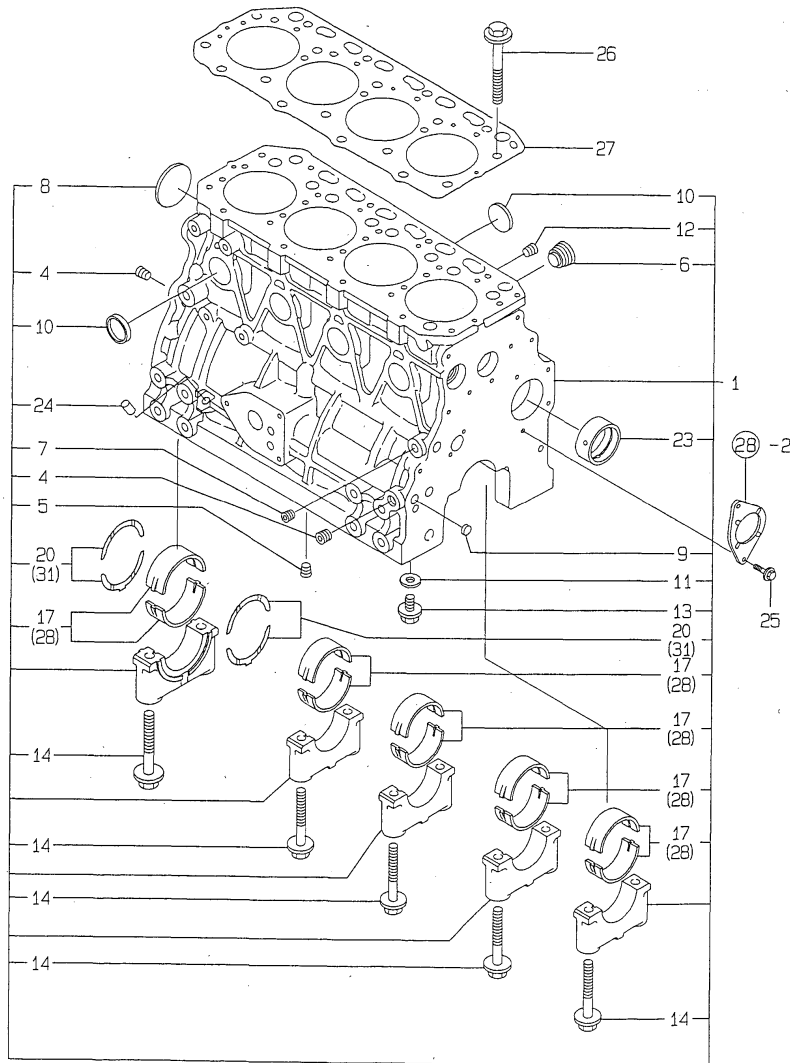
Remarks  
(1) OPTIONAL PART.

Fig.21. CYLINDER BLOCK

21. CYLINDER BLOCK

(A)=  
(B)=  
(C)=

(D)=4TN82-REY  
(E)=  
(F)=4TN84-REY



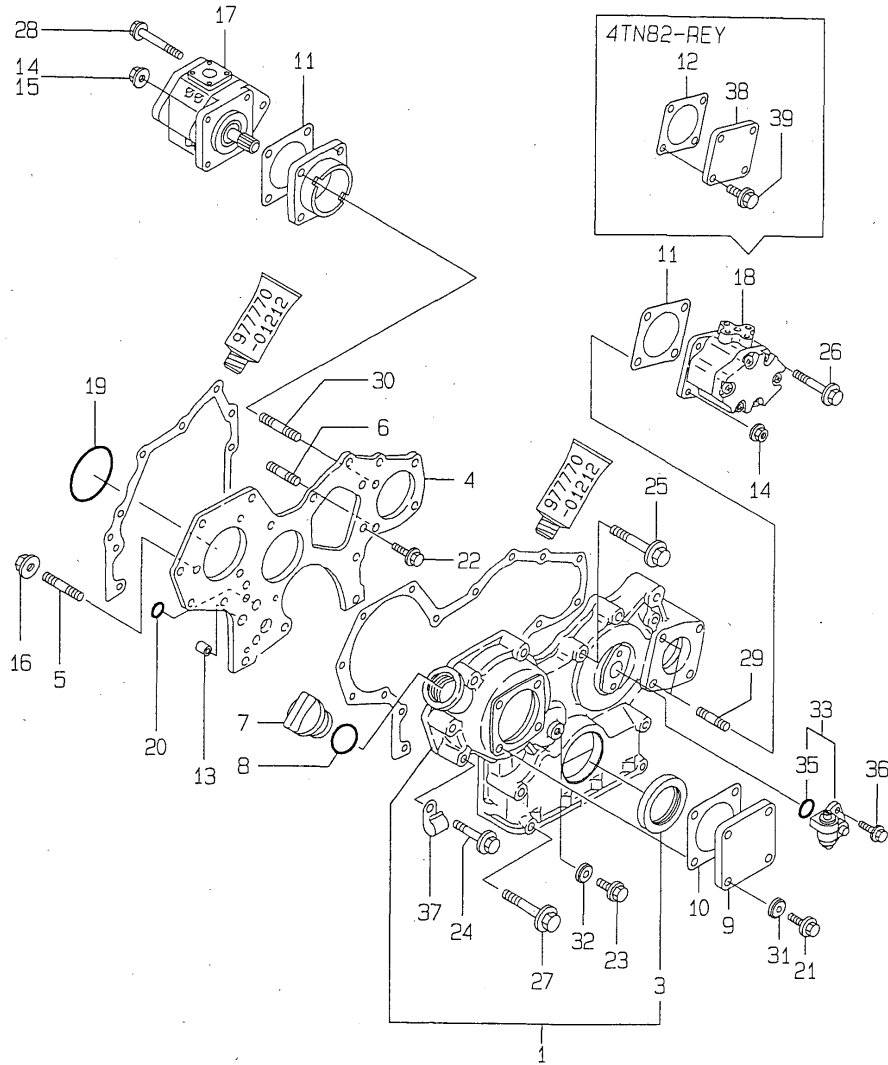
No.	Lev.	Parts No.	Description	Q'ty						I	R	
				(A)	(B)	(C)	(D)	(E)	(F)			
1A	1	729405-01560	BLOCK ASSY, CYLINDER								1	
1B	1	729450-01560	BLOCK ASSY, CYLINDER				1					
4	2	124160-01910	PLUG, PT1/4				2				2	
5	2	124160-01910	PLUG, PT1/4								1	
6	2	171051-01921	PLUG, NPTF1				1				1	
7	2	23871-010000	PLUG, R01				1				1	
8	2	27231-500000	PLUG 50				1				1	
9	2	27241-120000	PLUG, 12				2				2	
10	2	27241-300000	PLUG 30				8				8	
11	2	23414-080000	GASKET, 8X1.0				4				4	
12	2	23871-030000	PLUG, R03				1				1	
13	2	26106-080122	BOLT, M8X 12 PLATED				4				4	
14	2	129150-02020	BOLT, METAL CAP				10				10	
17	2	129150-02800	BEARING, MAIN				5				5	
20	2	129150-02930	BEARING, THRUST				2				2	
23	2	129795-02411	BUSH, CAMSHAFT				1				1	
24	2	27225-100140	PLUG, 10X14				1				1	
25	1	26106-080162	BOLT, M8X 16 PLATED				2				2	
26	1	129150-01200	BOLT, HEAD				18				18	
27A	1	129405-01331	GASKET, HEAD								1	G
27B	1	129573-01351	GASKET, HEAD				1					G
28	1	129150-02870	BEARING, 0.25 US				5				5	1
31	1	129150-02940	BEARING, THRUST 0.25				2				2	2

Remarks

- (1) UNDER-SIZE(U.S=0.25)PART.
- (2) OVER-SIZE(O.S=0.25)PART.
- (G) THESE PARTS ARE SOLD BY FIG.43, REF.NO.1,2.

Fig.22. GEAR HOUSING

22. GEAR HOUSING



(A)=  
(B)=  
(C)=

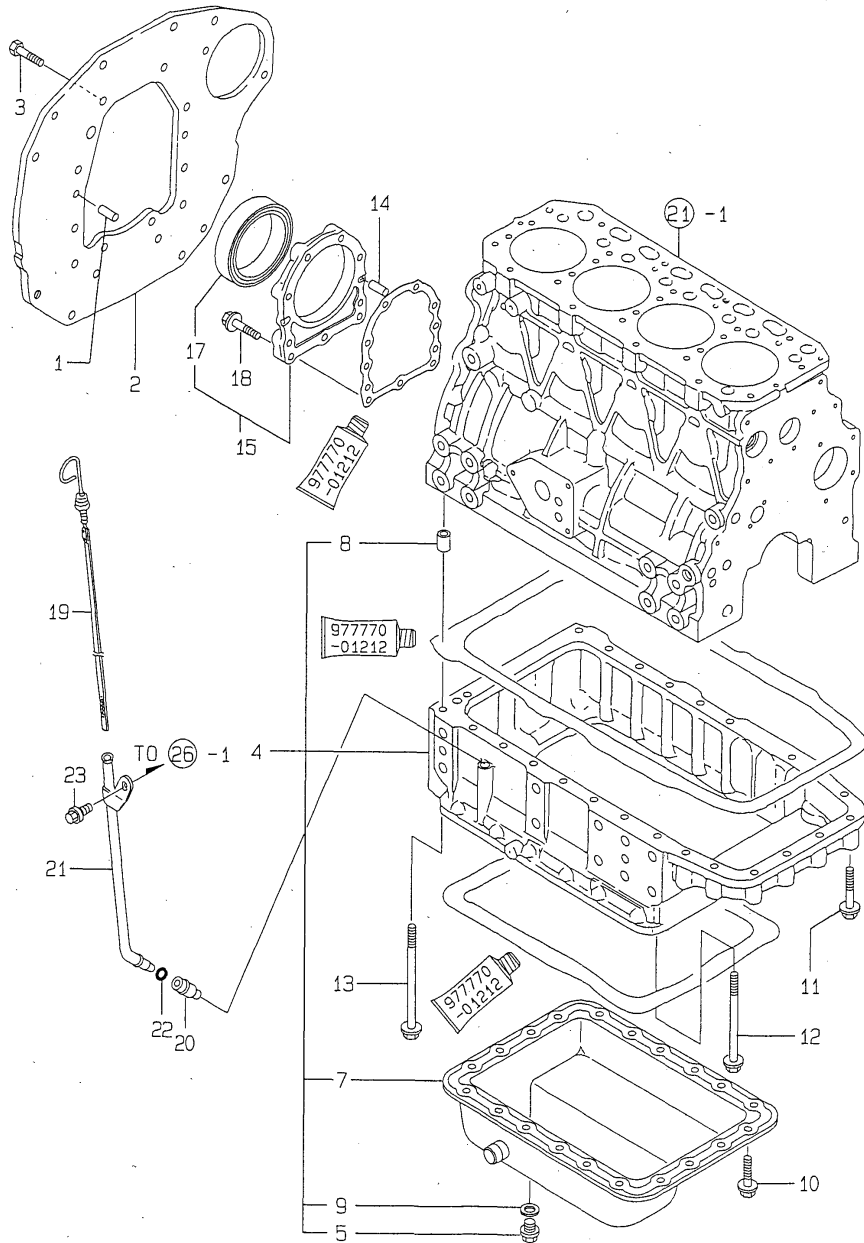
(D)=4TN82-REY  
(E)=  
(F)=4TN84-REY

No.	Lev.	Parts No.	Description	Q'ty						I	R	
				(A)	(B)	(C)	(D)	(E)	(F)			
1	1	129100-01590	CASE ASSY, GEAR				1				1	
3	2	129795-01800	SEAL, OIL				1				1	
4	1	129100-01520	FLANGE, GEAR CASE				1				1	
5	1	121450-01560	STUD, M8X22				3				3	
6	1	129150-01580	STUD, M8X30				1				1	
7	1	124160-01751	COVER, FILLER				1				1	
8	1	24311-000320	O-RING, 1AP32.0				1				1	G
9	1	124240-01871	COVER				1				1	
10	1	124240-01883	GASKET				1				1	G
11	1	124240-01883	GASKET				1				2	G
12	1	124240-01883	GASKET				1				1	G
13	1	129795-01950	PIPE, KNOCK L=18				2				2	
14	1	194990-22050	NUT, M8								4	
15	1	194990-22050	NUT, M8				2					
16	1	26366-080002	NUT, M8				3				3	
17	1	198240-41110	PUMP, HY/ZFD100/13L				1				1	
18	1	178070-44000	PUMP ASSY, HYDRAULIC								1	
19	1	121850-51960	O-RING				1				1	G
20	1	24311-000160	O-RING, 1AP16.0				2				2	G
21	1	26106-080122	BOLT, M8X 12 PLATED				4				4	
22	1	26106-080162	BOLT, M8X 16 PLATED				3				3	
23	1	26106-080162	BOLT, M8X 16 PLATED				1				1	
24	1	26106-080452	BOLT, M8X 45 PLATED				6				6	
25	1	26106-080552	BOLT, M8X 55 PLATED				3				3	
26	1	26106-080802	BOLT, M8X 80 PLATED								2	
27	1	26106-080852	BOLT, M8X 85 PLATED				4				4	
28	1	26106-081202	BOLT, M8X120 PLATED				2				2	
29	1	26216-080202	STUD, M8X 20								2	
30	1	26216-080402	STUD, M8X 40				1				1	
31	1	22190-080002	WASHER, SEAL 6				4				4	
32	1	22190-080002	WASHER, SEAL 6				1				1	
33	1	129150-91400	GEAR				1				1	
35	2	24341-000240	O-RING, 1AS24.0				1				1	G
36	1	26106-060162	BOLT, M6X 16 PLATED				2				2	
37	1	129150-03100	RETAINER, PIPE				1				1	
38	1	124240-01871	COVER				1				1	
39	1	26106-080122	BOLT, M8X 12 PLATED				4				4	

Remarks  
(G) THESE PARTS ARE SOLD BY FIG.43,  
REF.NO.1,2.

Fig.23. MOUNTING FLANGE & OIL SUMP

23.MOUNTING FLANGE & OIL SUMP



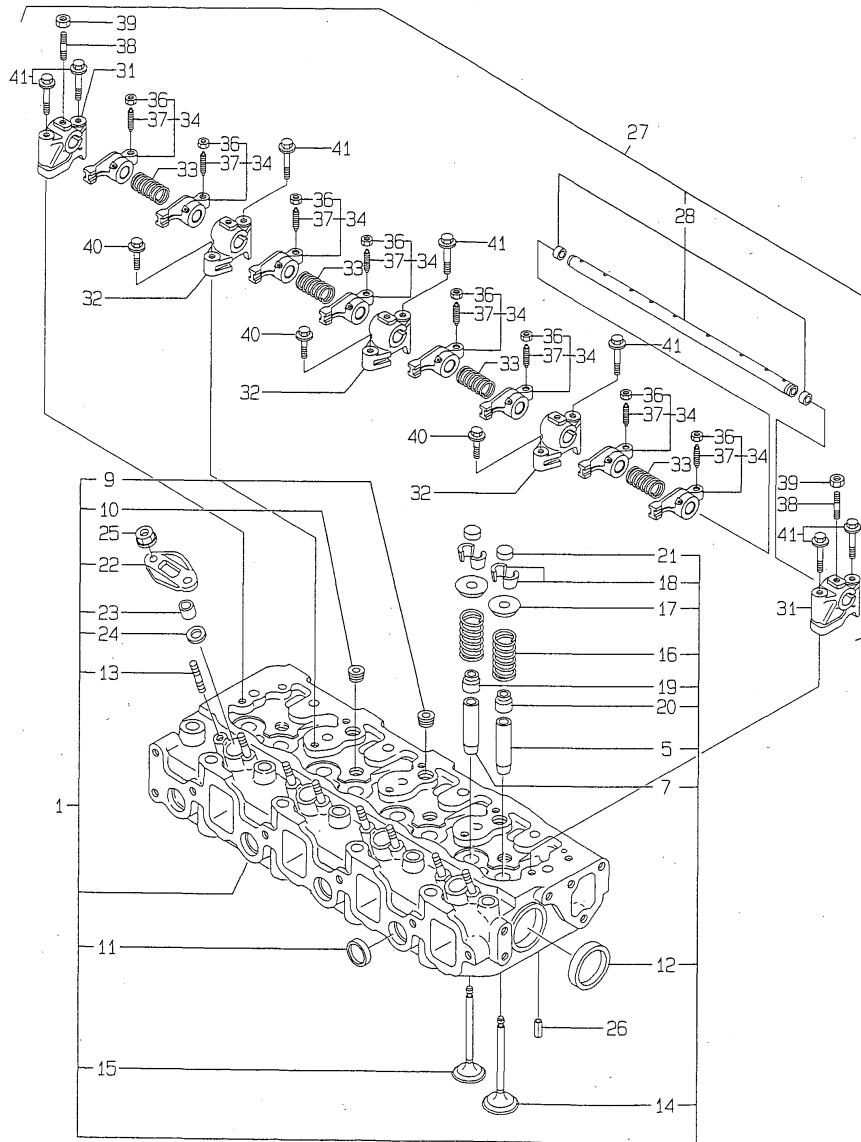
(A)=  
(B)=  
(C)=

(D)=4TN82-REY  
(E)=  
(F)=4TN84-REY

No.	Lev.	Parts No.	Description	Q'ty						I	R
				(A)	(B)	(C)	(D)	(E)	(F)		
1	1	129100-01580	PIN, M8X16				2			2	
2	1	129126-01600	FLANGE, MOUNTING				1			1	
3	1	26206-100202	BOLT, M10X 20 PLATED				8			8	
4	1	729429-01540	SUMP ASSY, OIL				1			1	
5	2	105425-01690	PLUG, 16				1			1	
7	2	129429-01720	COVER, OIL SUMP				1			1	
8	2	129555-01750	PIPE, KNOCK 14X18				1			1	
9	2	22190-160002	WASHER, SEAL 16				1			1	
10	1	26106-080122	BOLT, M8X 12 PLATED				20			20	
11	1	26106-080502	BOLT, M8X 50 PLATED				8			8	
12	1	26106-081002	BOLT, M8X100 PLATED				14			14	
13	1	26106-081202	BOLT, M8X120 PLATED				4			4	
14	1	129100-01580	PIN, M8X16				2			2	
15	1	729402-01650	CASE ASSY, OIL SEAL				1			1	
17	2	129120-01780	SEAL, OIL				1			1	
18	1	26106-080302	BOLT, M8X 30 PLATED				9			9	
19	1	129128-34800	DIPSTICK, OIL				1			1	
20	1	119260-34810	GUIDE, DIPSTICK				1			1	
21	1	129429-34810	GUIDE, DIPSTICK				1			1	
22	1	24311-240100	O-RING, 1AP10A				1			1	
23	1	26106-080122	BOLT, M8X 12 PLATED				1			1	

Fig.24. CYLINDER HEAD

24. CYLINDER HEAD



(A)=  
(B)=  
(C)=

(D)=4TN82-REY  
(E)=  
(F)=4TN84-REY

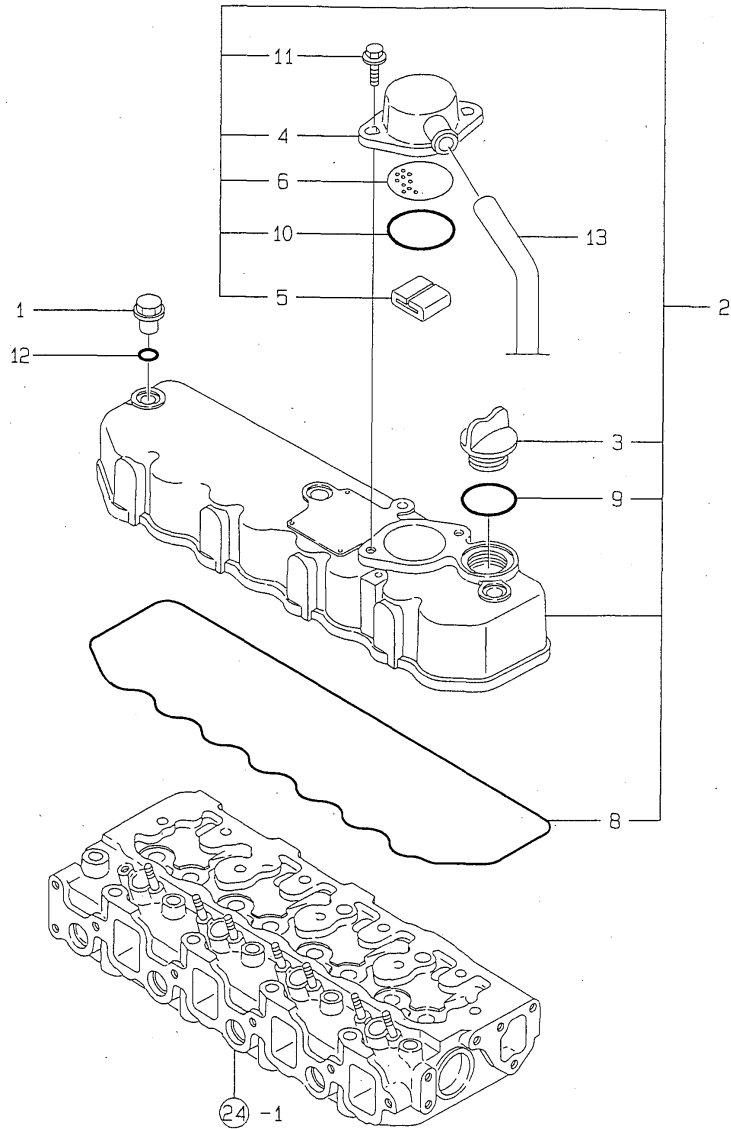
No.	Lev.	Parts No.	Description	Q'ty						I	R	
				(A)	(B)	(C)	(D)	(E)	(F)			
1	1	129429-11700	HEAD ASSY, CYLINDER				1				1	
5	2	120130-11860	GUIDE, VALVE				4				4	1
7	2	129150-11810	GUIDE, VALVE				4				4	1
9	2	121850-11860	PLUG, PT1/4				3				3	
10	2	23871-030000	PLUG, R03				4				4	
11	2	27241-220000	PLUG, 22				4				4	
12	2	27241-400000	PLUG, 40				2				2	
13	2	26216-060202	STUD, M6X 20				8				8	
14	2	129100-11100	VALVE, INTAKE				4				4	
15	2	129100-11110	VALVE, EXHAUST				4				4	
16	2	129795-11120	SPRING, VALVE				8				8	
17	2	129795-11180	RETAINER, SPRING				8				8	
18	2	27310-080001	COTTER, 8				8				8	
19	2	121400-11340	SEAL, VALVE STEM				4				4	G
20	2	124460-11340	SEAL, VALVE STEM				4				4	G
21	2	129150-11370	CAP, VALVE				8				8	
22	2	119625-11900	RETAINER, NOZZLE				4				4	
23	2	119625-11871	PROTECTOR, NOZZLE				4				4	G
24	2	119625-11880	SEAT, NOZZLE				4				4	G
25	1	26366-060002	NUT, M6				8				8	
26	1	22351-060012	PIN, SPRING 6.0X12				2				2	
27	1	129555-11241	SHAFT ASSY, ROCKER				1				1	
28	2	129550-11290	SHAFT, ROCKER ARM				1				1	
31	2	129155-11260	SUPPORT, ROCKER ARM				2				2	
32	2	129155-11270	SUPPORT, ROCKER ARM				3				3	
33	2	129150-11280	SPRING				4				4	
34	2	729402-11650	ARM ASSY, ROCKER				8				8	
36	3	129150-11750	NUT, M8				8				8	
37	3	129150-11230	SCREW, VALVE ADJUST				8				8	
38	2	26226-080182	STUD, M8X 18				3				3	
39	2	26756-080002	NUT, LOCK M8				3				3	
40	1	26106-080252	BOLT, M8X 25 PLATED				3				3	
41	1	26106-080502	BOLT, M8X 50 PLATED				7				7	

Remarks

(1) REPAIR PART.  
(G) THESE PARTS ARE SOLD BY FIG.43.  
REF.NO.1,2.

Fig.25. BONNET

25. BONNET



(A)=  
(B)=  
(C)=

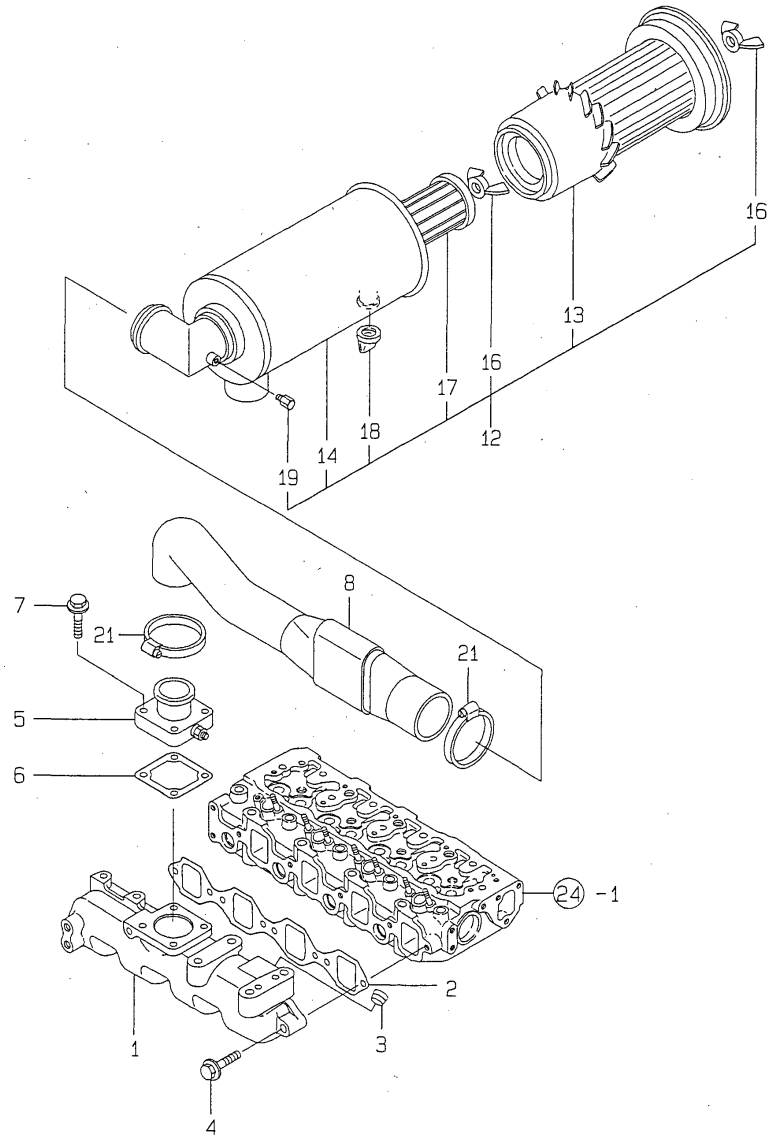
(D)=4TN82-REY  
(E)=  
(F)=4TN84-REY

No.	Lev.	Parts No.	Description	Q'ty						I	R	
				(A)	(B)	(C)	(D)	(E)	(F)			
1	1	124160-11360	KNOB				3					
2	1	729428-11530	BONNET ASSY, HEAD				1					
3	2	124160-01751	COVER, FILLER				1					
4	2	129150-03020	COVER, BREATHER				1					
5	2	129150-03070	BAFFLE, BREATHER				1					
6	2	129150-03080	PLATE, BAFFLE				1					
8	2	129550-11310	GASKET, BONNET				1			1		G
9	2	24311-000320	O-RING, 1AP32.0				1			1		G
10	2	24341-000500	O-RING, 1AS50.0				1			1		G
11	2	26106-080162	BOLT, M8X 16 PLATED				2			2		
12	1	24311-000120	O-RING, 1AP12.0				3			3		G
13	1	129150-03090	HOSE, ID16X2T				1			1		

Remarks  
(G) THESE PARTS ARE SOLD BY FIG.43,  
REF.NO.1,2.

Fig.26. SUCTION MANIFOLD & AIR CLEANER

26.SUCTION MANIFOLD & AIR CLEANER



(A)=  
(B)=  
(C)=

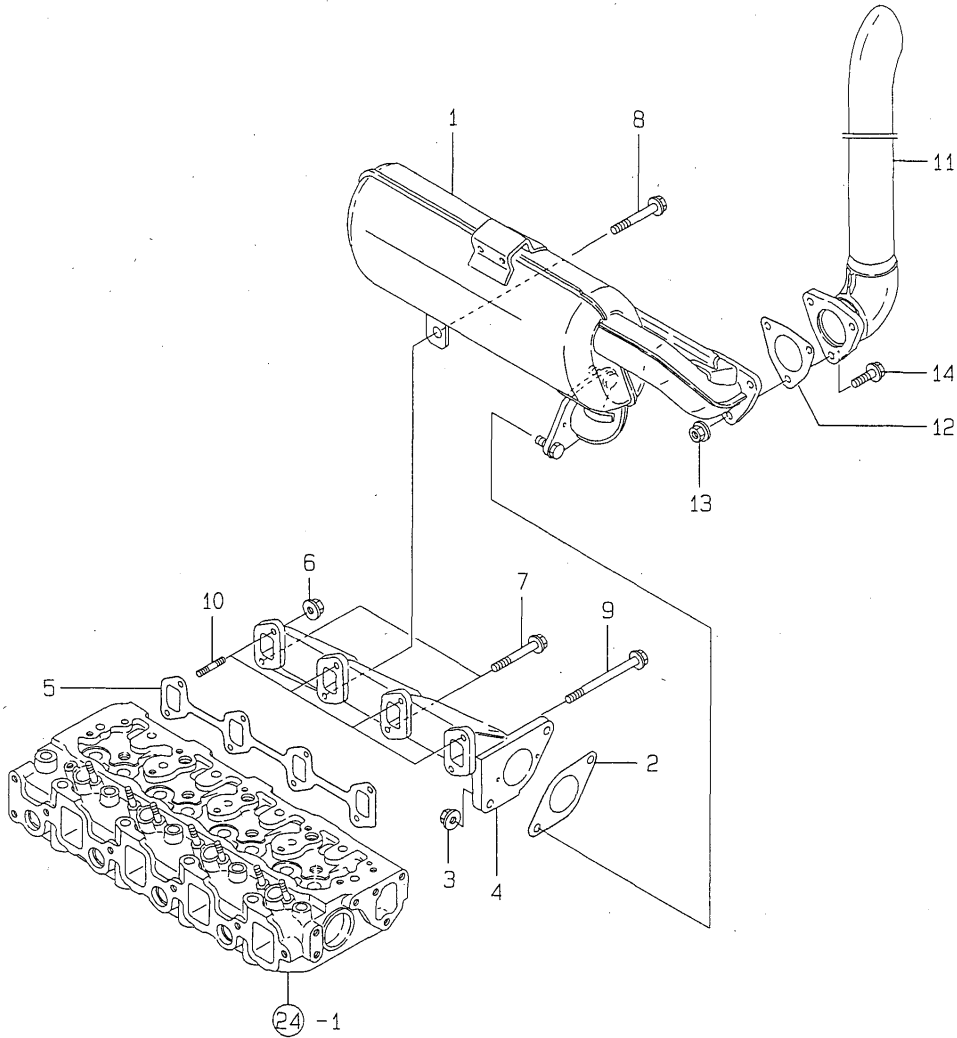
(D)=4TN82-REY  
(E)=  
(F)=4TN84-REY

No.	Lev.	Parts No.	Description	Q'ty						I	R	
				(A)	(B)	(C)	(D)	(E)	(F)			
1	1	129400-12100	MANIFOLD, AIR INTAKE				1					
2	1	129550-12111	GASKET, MANIFOLD				1					G
3	1	23871-030000	PLUG, R03				1					
4	1	26106-080352	BOLT, M8X 35 PLATED				5					
5	1	129120-77501	HEATER				1					
6	1	129150-77511	GASKET				1					G
7	1	26106-080352	BOLT, M8X 35 PLATED				4					
8	1	129429-12290	PIPE, AIR INTAKE				1					
12	1	129126-12500	CLEANER ASSY, AIR				1					
13	2	129129-12510	ELEMENT				1					
14	2	129126-12520	BODY, AIR CLEANER				1					
16	2	121420-12561	NUT, WING				2					
17	2	121422-12570	ELEMENT				1					
18	2	121422-12580	VALVE, UNLOADER				1					
19	2	121820-12590	NIPPLE				1					
21	1	23000-060000	CLAMP, 60				2					

Remarks  
(G) THESE PARTS ARE SOLD BY FIG.43,  
REF.NO.1,2.

Fig.27. EXHAUST MANIFOLD & SILENCER

27.EXHAUST MANIFOLD & SILENCER



(A)=  
(B)=  
(C)=

(D)=4TN82-REY  
(E)=  
(F)=4TN84-REY

No.	Lev.	Parts No.	Description	Q'ty						I	R	
				(A)	(B)	(C)	(D)	(E)	(F)			
1	1	129429-13501	SILENCER				1					
2	1	129107-13540	GASKET, SILENCER				1					G
3	1	194990-22050	NUT, M8				2					
4	1	129505-13100	MANIFOLD, EXHAUST				1					
5	1	129550-13110	GASKET				1					G
6	1	194990-22050	NUT, M8				4					
7	1	26106-080602	BOLT, M8X 60 PLATED				2					
8	1	26106-080652	BOLT, M8X 65 PLATED				1					
9	1	26106-081152	BOLT, M8X115 PLATED				1					
10	1	26216-080202	STUD, M8X 20				4					
11	1	129126-13571	PIPE, EXHAUST				1					
12	1	119629-13580	GASKET				1					G
13	1	194990-22050	NUT, M8				3					
14	1	26106-080252	BOLT, M8X 25 PLATED				3					

Remarks  
(G) THESE PARTS ARE SOLD BY FIG.43,  
REF.NO.1,2.

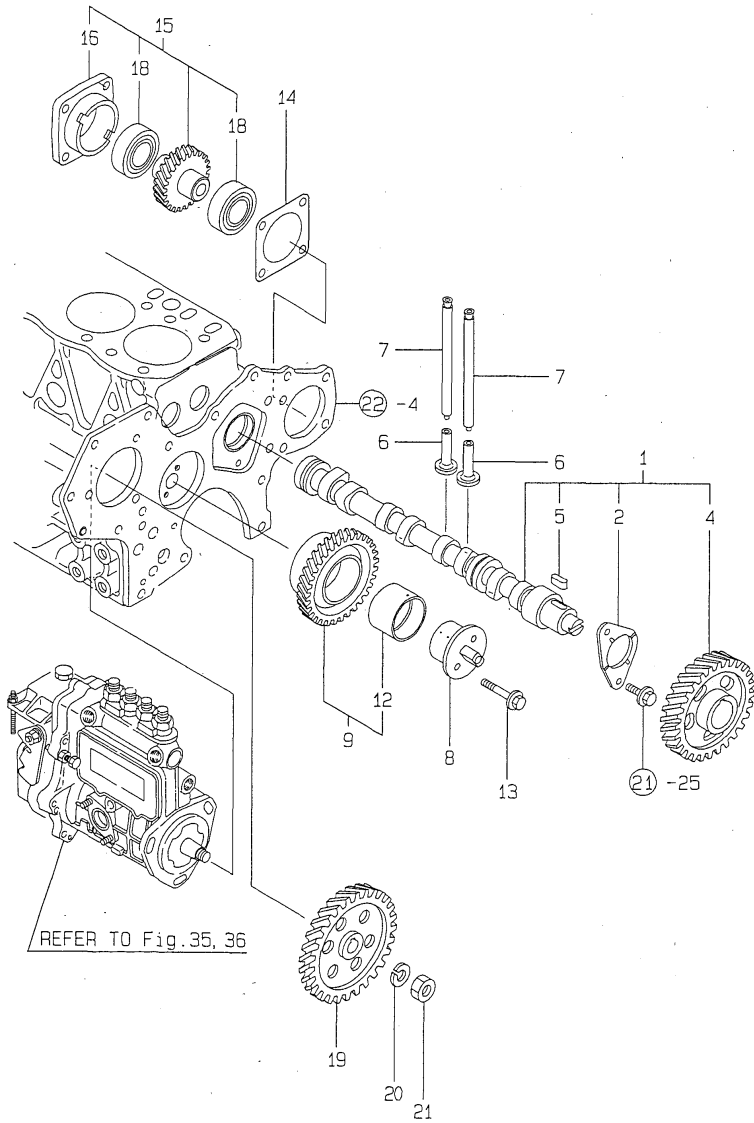


Fig.28. CAMSHAFT & DRIVING GEAR

(A)=  
(B)=  
(C)=

(D)=4TN82-REY  
(E)=  
(F)=4TN84-REY

28. CAMSHAFT & DRIVING GEAR



No.	Lev.	Parts No.	Description	Q'ty						I	R	
				(A)	(B)	(C)	(D)	(E)	(F)			
1	1	729402-14580	CAMSHAFT ASSY				1				1	
2	2	129150-02450	BEARING, THRUST				1				1	
4	2	129150-14101	GEAR, CAMSHAFT				1				1	
5	2	22512-070140	KEY, 7X 14				1				1	
6	1	129150-14200	TAPPET				8				8	
7	1	129150-14400	ROD, PUSH L=178				8				8	
8	1	129100-25061	SHAFT, IDLE				1				1	
9	1	129150-25101	GEAR ASSY, IDLE				1				1	
12	2	129150-25920	BUSH, IDLE GEAR				1				1	1
13	1	26106-080452	BOLT, M8X 45 PLATED				2				2	
14	1	129150-01881	GASKET				1				1	G
15	1	129150-26000	DRIVE ASSY, PUMP				1				1	
16	2	129150-26050	BRACKET, PUMP				1				1	
18	2	24105-060064	BEARING, BALL 6006Z				2				2	
19	1	129150-25900	GEAR, PUMP				1				1	
20	1	22217-120000	WASHER, SPRING 12				1				1	
21	1	26716-120002	NUT, M12				1				1	

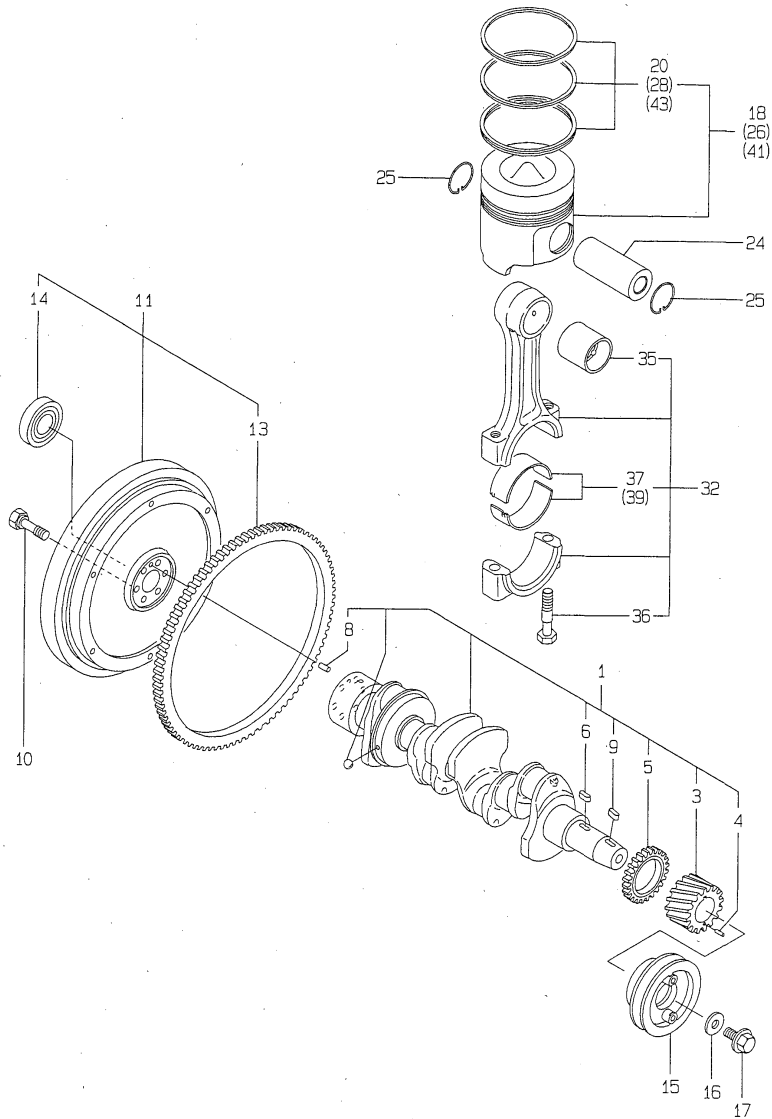
Remarks  
(1)REPAIR PART.  
(G)THESE PARTS ARE SOLD BY FIG.43,  
REF.NO.1,2.

# Fig.29. CRANKSHAFT & PISTON

(A)=  
(B)=  
(C)=

(D)=4TN82-REY  
(E)=  
(F)=4TN84-REY

## 29. CRANKSHAFT & PISTON



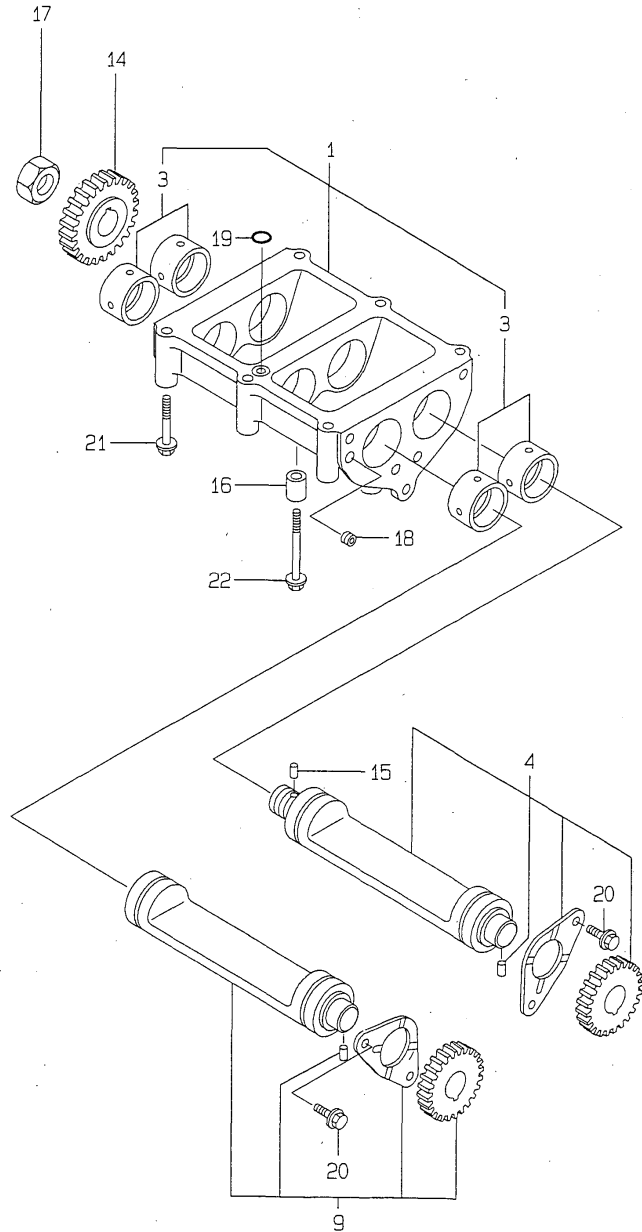
No.	Lev.	Parts No.	Description	Q'ty						I	R
				(A)	(B)	(C)	(D)	(E)	(F)		
1	1	729450-21700	CRANKSHAFT ASSY				1			1	
3	2	129150-21200	GEAR, CRANKSHAFT				1			1	
4	2	121850-21290	PIN				1			1	
5	2	129400-28120	GEAR, BALANCER				1			1	
6	2	22512-070140	KEY, 7X 14				1			1	
8	2	129100-01580	PIN, M8X16				1			1	
9	2	22512-070160	KEY, 7X 16				1			1	
10	1	121111-21501	BOLT, FLYWHEEL				6			6	
11	1	129429-21590	FLYWHEEL ASSY				1			1	
13	2	124550-21600	GEAR, RING				1			1	
14	2	121820-21690	BEARING, 6203DDUC4				1			1	
15	1	129450-21650	V-PULLEY				1			1	
16	1	129795-21661	WASHER				1			1	
17	1	121850-21680	BOLT				1			1	
18A	1	129105-22080	PISTON ASSY								4
18B	1	129402-22080	PISTON ASSY				4				
20A	2	129105-22500	RING SET, PISTON								4
20B	2	729402-22500	RING SET, PISTON				4				
24	1	129150-22300	PIN, PISTON D26 L66				4			4	
25	1	121100-22400	CIRCLIP				8			8	
26A	1	729105-22900	PISTON ASSY, 0.25 OS								4
26B	1	729402-22900	PISTON ASSY, 0.25 OS				4				1
28A	2	729157-22951	RING SET, 0.25 OS								4
28B	2	729156-22950	RING SET, 0.25 OS				4				1
32	1	729402-23100	ROD ASSY, CONNECTING				4			4	
35	2	129100-23910	BEARING, PISTON PIN				4			4	2
36	2	121550-23200	BOLT, CONNECTING ROD				8			8	
37	2	129150-23600	BEARING, CRANK PIN				4			4	
39	1	129150-23610	BEARING, 0.25 US				4			4	3
41A	1	129105-22920	PISTON ASSY, 0.50 OS								4
41B	1	129402-22920	PISTON ASSY, 0.50 OS				4				4
43A	2	129105-22970	RING SET, 0.50 OS								4
43B	2	129402-22970	RING SET, 0.50 OS				4				4

Remarks

- (1)OVER-SIZE(O.S=0.25)PART.
- (2)REPAIR PART.
- (3)UNDER-SIZE(U.S=0.25)PART.
- (4)OVER-SIZE(O.S=0.50)PART.

Fig.30. BALANCER

30. BALANCER



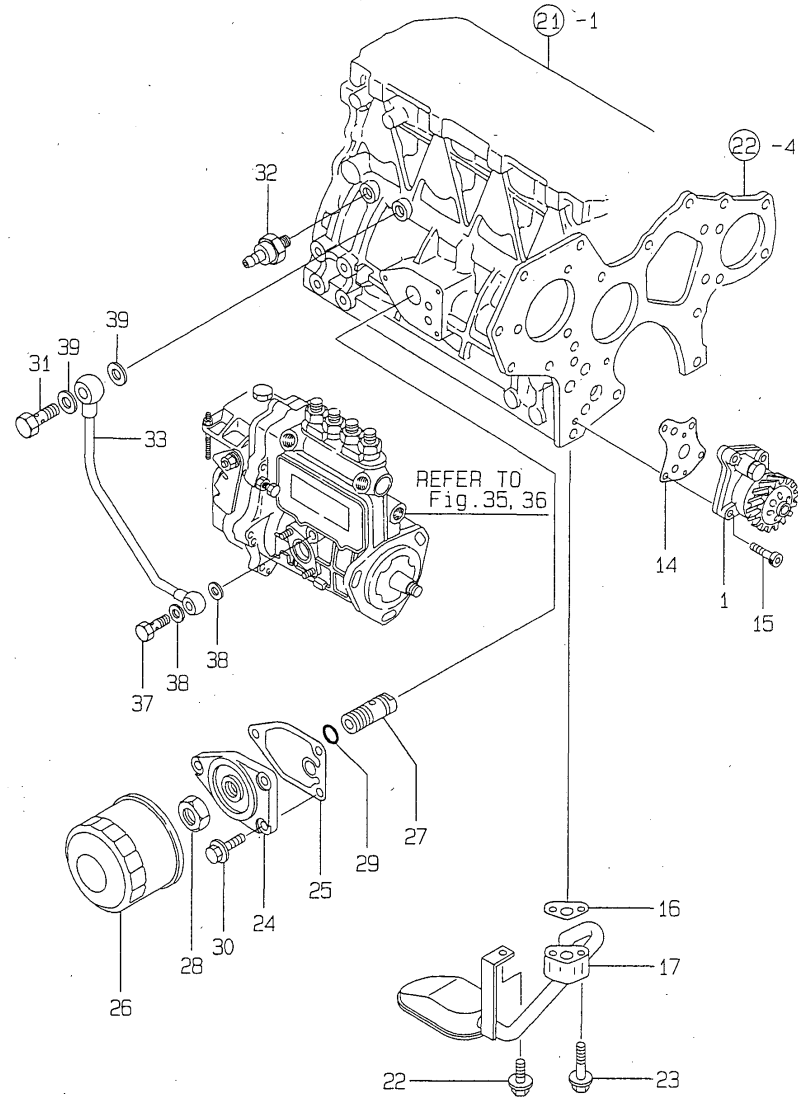
(A)=  
(B)=  
(C)=

(D)=4TN82-REY  
(E)=  
(F)=4TN84-REY

No.	Lev.	Parts No.	Description	Q'ty						I	R
				(A)	(B)	(C)	(D)	(E)	(F)		
1	1	129490-28010	CASE ASSY, BALANCER				1			1	
3	2	129400-28240	BUSH				4			4	
4	1	729490-28510	SHAFT ASSY, BALANCER				1			1	
9	1	729490-28520	SHAFT ASSY, BALANCER				1			1	
14	1	129400-28150	GEAR, BALANCER				1			1	
15	1	121850-21290	PIN				1			1	
16	1	129795-01960	PIPE, KNOCK				2			2	
17	1	128170-14150	NUT				1			1	
18	1	123385-82200	PLUG, 1/16				1			1	
19	1	24311-000140	O-RING, 1AP14.0				1			1	
20	1	26106-080162	BOLT, M8X 16 PLATED				4			4	
21	1	26106-080602	BOLT, M8X 60 PLATED				4			4	
22	1	26106-080802	BOLT, M8X 80 PLATED				2			2	

Fig.31. LUB.OIL SYSTEM

31.LUB.OIL SYSTEM



(A)=  
(B)=  
(C)=

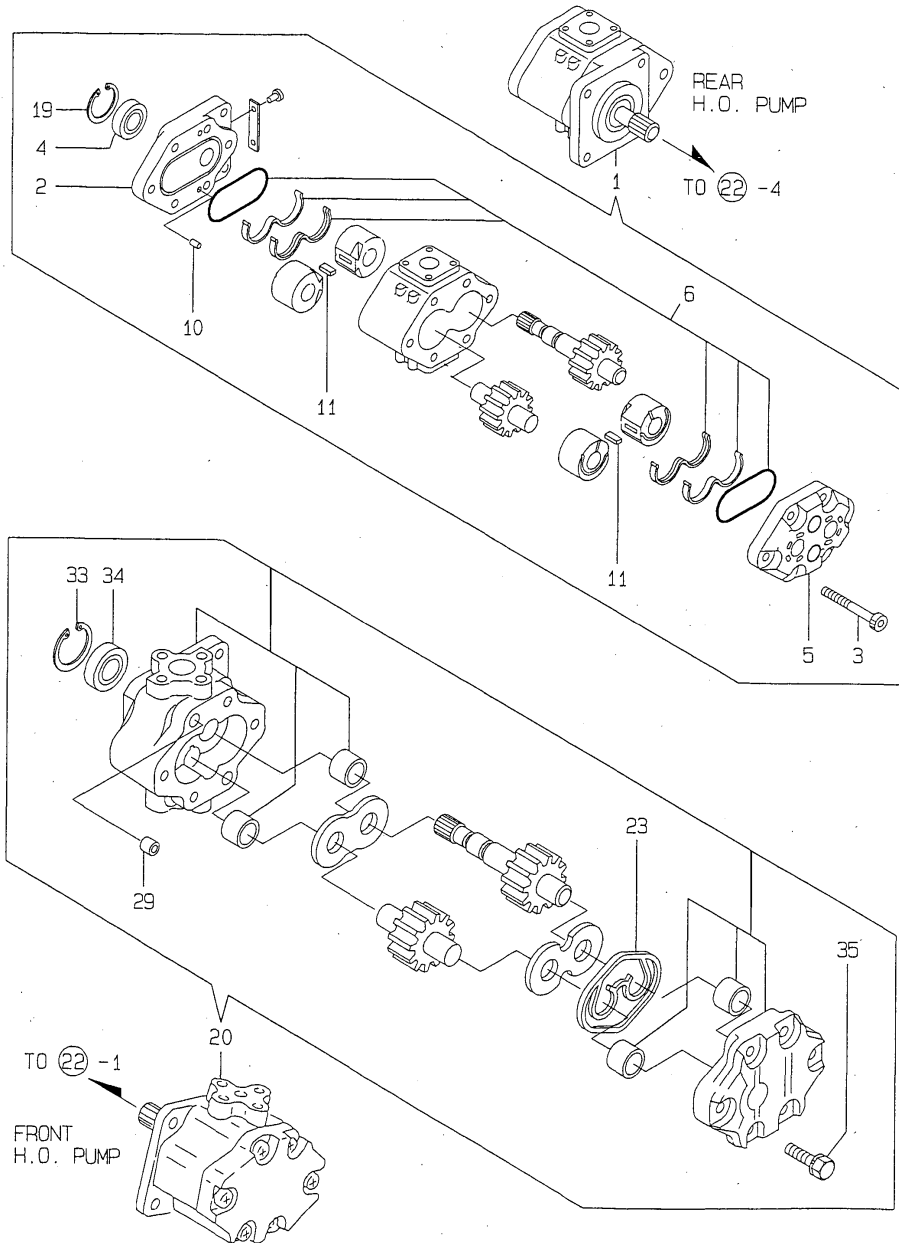
(D)=4TN82-REY  
(E)=  
(F)=4TN84-REY

No.	Lev.	Parts No.	Description	Q'ty						I	R
				(A)	(B)	(C)	(D)	(E)	(F)		
1	1	129407-32000	PUMP ASSY, OIL				1			1	
14	1	129150-32020	GASKET, PUMP				1			1	G
15	1	26450-060252	BOLT, M6X 25				4			4	
16	1	129150-35041	GASKET				1			1	G
17	1	129550-35090	PIPE ASSY, OIL INLET				1			1	
22	1	26014-080162	BOLT, M8X 16				1			1	
23	1	26106-080352	BOLT, M8X 35 PLATED				2			2	
24	1	129150-35101	BRACKET, STRAINER				1			1	
25	1	129150-35111	GASKET				1			1	G
26	1	129150-35151	FILTER, D80XL80				1			1	
27	1	129001-35300	BOLT, FILTER				1			1	
28	1	129150-35350	NUT				1			1	
29	1	24311-000160	O-RING, 1AP16.0				1			1	G
30	1	26106-080202	BOLT, M8X 20 PLATED				3			3	
31	1	124160-39140	BOLT, PIPE JOINT M10				1			1	
32	1	124160-39450	SWITCH, 0.5KG				1			1	
33	1	129550-39450	PIPE ASSY, OIL				1			1	
37	1	124550-59820	BOLT, PIPE JOINT M8				1			1	
38	1	23414-080000	GASKET, 8X1.0				2			2	
39	1	23414-100000	GASKET, 10X1.0				2			2	

Remarks  
(G) THESE PARTS ARE SOLD BY FIG.43,  
REF.NO.1,2.

Fig.32. HYDRAULIC PUMP

32.HYDRAULIC PUMP



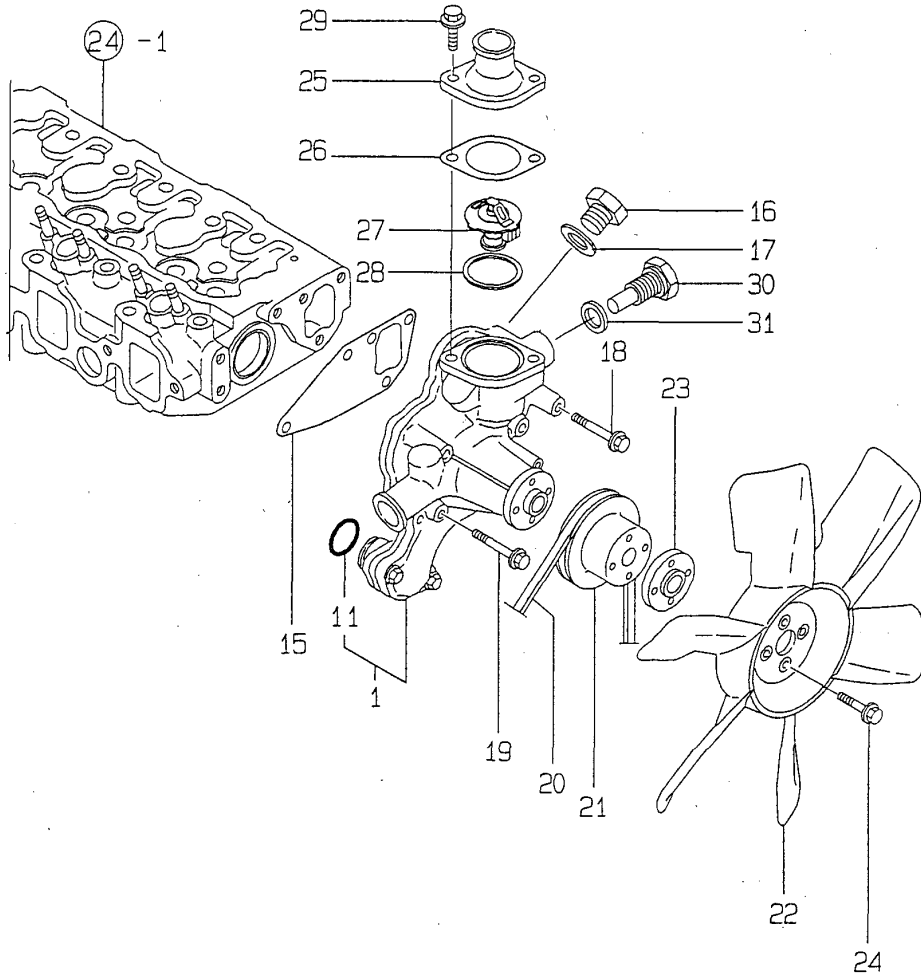
(A)=  
(B)=  
(C)=

(D)=4TN82-REY  
(E)=  
(F)=4TN84-REY

No.	Lev.	Parts No.	Description	Q'ty						I	R
				(A)	(B)	(C)	(D)	(E)	(F)		
1	1	198240-41110	PUMP, HY/ZFD100/13L				1			1	
2	2	194278-41151	FLANGE				1			1	
3	2	198240-41150	BOLT, M8X83.5				4			4	
4	2	194278-41160	SEAL, OIL TC173008				1			1	
5	2	194278-41190	COVER				1			1	
6	2	794275-41200	SEAL KIT				1			1	
10	2	194065-41210	PIN, PARALLEL 6X12				2			2	
11	2	194278-41210	KEY				2			2	
19	2	22252-000300	RING, 30				1			1	
20	1	178070-44000	PUMP ASSY, HYDRAULIC								1
23	2	178070-10400	RING								1
29	2	194521-41570	PIN, 11X7								2
33	2	22252-000320	RING, 32								1
34	2	24421-153207	SEAL, OIL TC153207								1
35	2	26016-080352	BOLT, M8X 35								4

Fig.33. COOLING WATER PUMP

33.COOLING WATER PUMP



(A)=  
(B)=  
(C)=

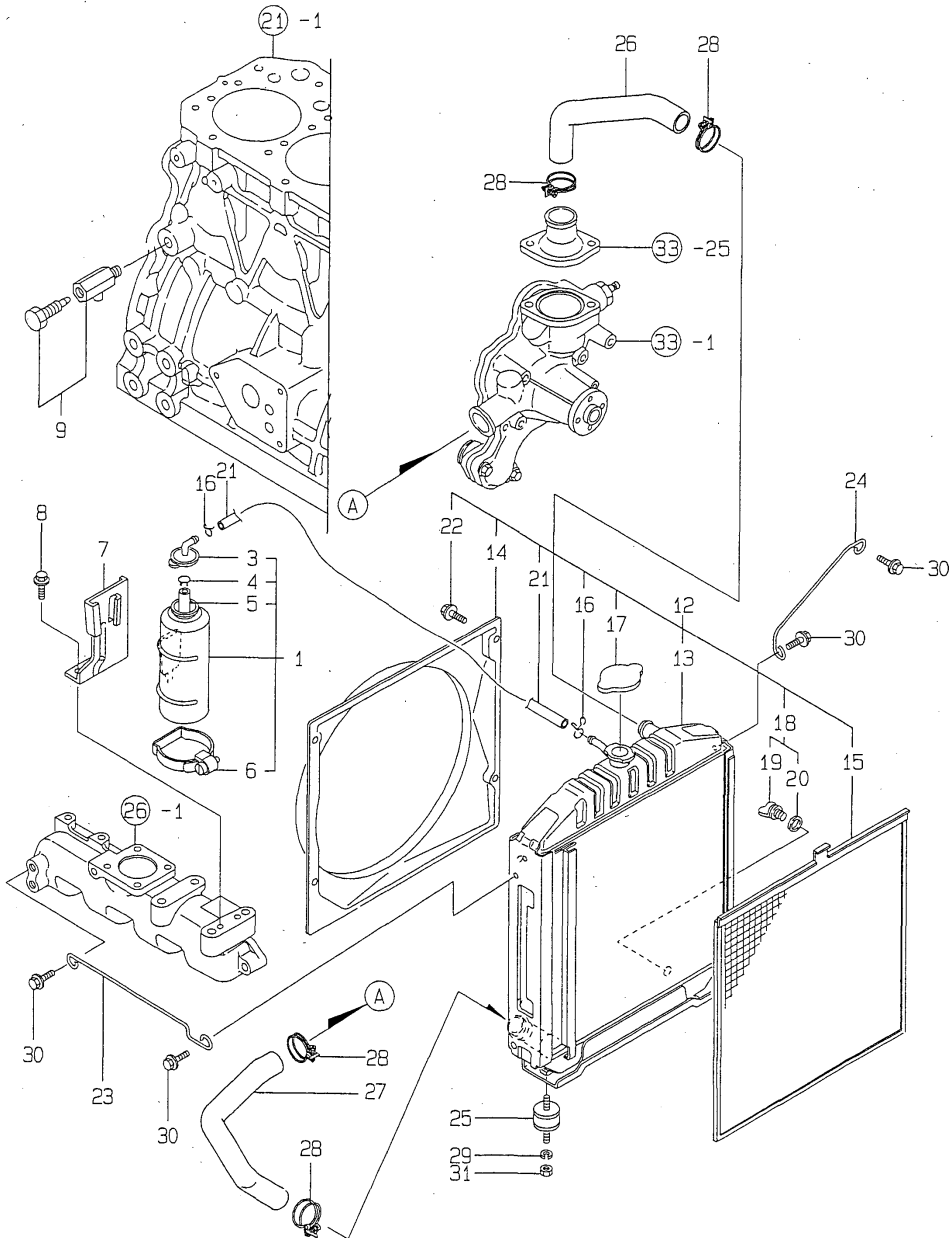
(D)=4TN82-REY  
(E)=  
(F)=4TN84-REY

No.	Lev.	Parts No.	Description	Q'ty						I	R	
				(A)	(B)	(C)	(D)	(E)	(F)			
1	1	129107-42002	PUMP ASSY, WATER				1					
11	2	129150-42320	O-RING				1					
15	1	129150-42020	GASKET, WATER PUMP				1					G
16	1	121450-42450	PLUG, M16				1					
17	1	124465-44950	GASKET, 16				1					G
18	1	26106-080552	BOLT, M8X 55 PLATED				3					
19	1	26106-080602	BOLT, M8X 60 PLATED				1					
20	1	124722-42290	V-BELT, A40				1					
21	1	129403-42380	V-PULLEY, D=110				1					
22	1	129120-44741	FAN, COOLING 360				1					
23	1	124574-44761	SPACER, FAN				1					
24	1	26014-060252	BOLT, M6X 25				4					
25	1	129350-49530	COVER, THERMOSTAT				1					
26	1	129795-49551	GASKET				1					G
27	1	129155-49800	THERMOSTAT, 71				1					
28	1	129150-49811	GASKET, THERMOSTAT				1					G
29	1	26106-080202	BOLT, M8X 20 PLATED				2					
30	1	124250-49351	SENSOR				1					
31	1	129150-49360	GASKET				1					G

Remarks  
(G) THESE PARTS ARE SOLD BY FIG.43,  
REF.NO.1,2.

Fig.34. RADIATOR

34. RADIATOR



(A)=  
(B)=  
(C)=

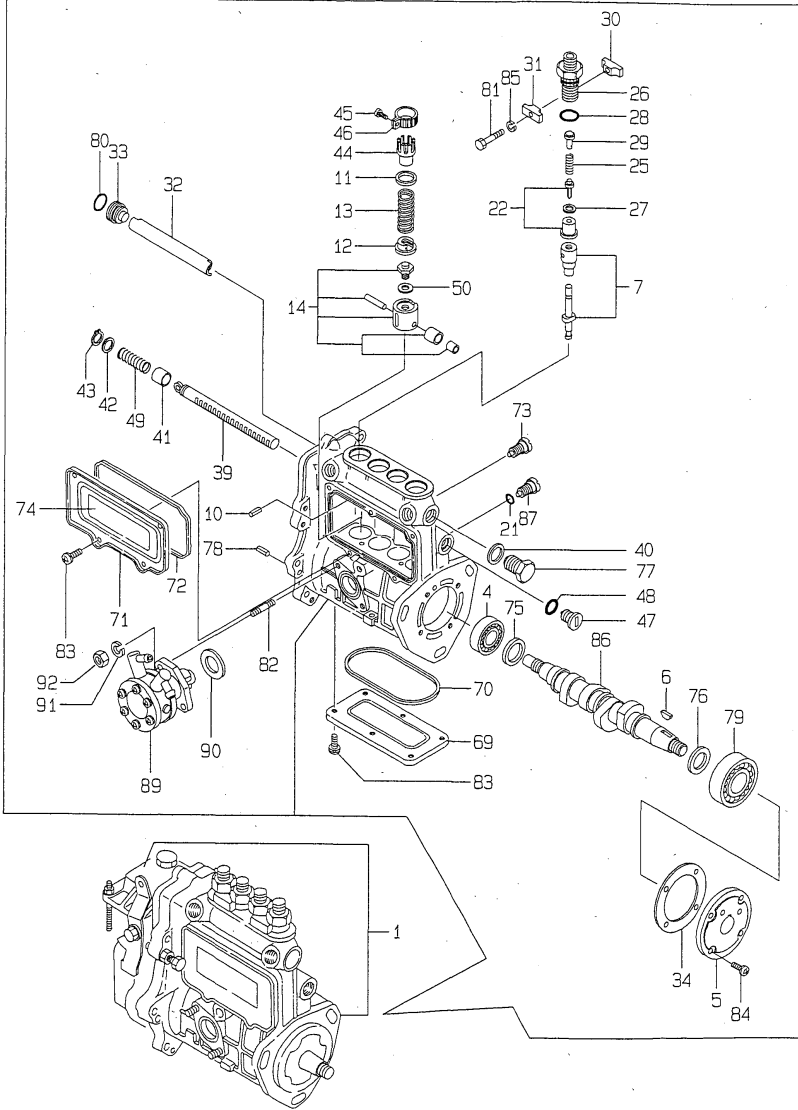
(D)=4TN82-REY  
(E)=  
(F)=4TN84-REY

No.	Lev.	Parts No.	Description	Q'ty						I	R
				(A)	(B)	(C)	(D)	(E)	(F)		
1	1	121252-44510	TANK ASSY, SUB				1			1	
3	2	121450-44530	CAP				1			1	
4	2	124450-44560	RETAINER				1			1	
5	2	23061-070230	PIPE, 7X 230				1			1	
6	1	121750-44550	BAND, TANK				1			1	
7	1	129429-44610	BRACKET, SUB TANK				1			1	
8	1	26106-080122	BOLT, M8X 12 PLATED				2			2	
9	1	119620-49290	COCK ASSY, 1/4				1			1	
12	1	129429-44500	RADIATOR ASSY				1			1	
13	2	129429-44550	BODY, RADIATOR				1			1	
14	2	129429-44560	SHROUD				1			1	
15	2	129126-44570	PROTECTOR				1			1	
16	2	121250-44590	CLAMP				2			2	
17	2	129129-44590	CAP, RADIATOR				1			1	
18	2	129150-49080	COCK, DRAIN				1			1	
19	3	119629-49070	COCK, DRAIN				1			1	
20	3	119629-49080	GASKET				1			1	
21	2	124722-49160	PIPE, DRAIN 7/12X250				1			1	
22	2	26014-060122	BOLT, M6X 12				4			4	
23	1	129429-44650	RETAINER, RADIATOR				1			1	
24	1	129126-44660	RETAINER, RADIATOR				1			1	
25	1	129550-44660	ABSORBER				2			2	
26	1	129429-49010	PIPE, WATER				1			1	
27	1	129429-49020	HOSE, WATER				1			1	
28	1	121267-49500	BAND, 38				4			4	
29	1	22212-100000	SPRING WASHER 10				2			2	
30	1	26106-080162	BOLT, M8X 16 PLATED				4			4	
31	1	26716-100002	NUT, M10				2			2	

Fig.35. FUEL INJECTION PUMP

35.FUEL INJECTION PUMP

4TN84



(A)=  
(B)=  
(C)=

(D)=4TN82-REY  
(E)=  
(F)=4TN84-REY

No.	Lev.	Parts No.	Description	Q'ty						I	R
				(A)	(B)	(C)	(D)	(E)	(F)		
1	1	729425-51360	PUMP ASSY, INJECTION							1	1
4	2	129155-51050	BEARING, 17BM001D							1	
5	2	129155-51060	SUPPORT, CAMSHAFT							1	
6	2	122710-51090	KEY							1	
7	2	129400-51100	PLUNGER ASSY							4	
10	2	129155-51140	PIN							4	
11	2	174307-51170	RETAINER, SPRING A							4	
12	2	129155-51180	RETAINER, SPRING							4	
13	2	124950-51190	SPRING, PLUNGER							4	
14	2	129155-51200	TAPPET ASSY							4	
21	2	129155-51280	O-RING, S6							4	
22	2	129505-51300	VALVE ASSY, DELIVERY							4	
25	2	129155-51320	SPRING, DELIVERY							4	
26	2	129155-51340	RETAINER							4	
27	2	124550-51350	GASKET, DELIVERY							4	
28	2	124550-51370	O-RING							4	
29	2	129155-51370	STOPPER, VALVE							4	
30	2	129155-51380	STOPPER							2	
31	2	129155-51390	STOPPER							2	
32	2	129555-51400	DEFLECTOR							1	
33	2	129155-51410	BOLT							1	
34	2	129155-51450	SHIM SET, ADJUSTING							1	
39	2	129555-51500	RACK, CONTROL							1	
40	2	22190-160002	WASHER, SEAL 16							1	
41	2	129155-51521	BUSH, RACK							1	
42	2	129155-51530	SPACER							1	
43	2	129155-51540	CIRCLIP							1	
44	2	129155-51550	PINION, CONTROL							4	
45	2	122117-51560	SCREW							4	
46	2	174307-51560	PINION							4	
47	2	129155-51570	PLUG, M12							1	
48	2	129155-51580	O-RING							1	
49	2	129155-51591	SPRING, RACK							1	
50	2	129155-51600	SHIM SET, ADJUSTING							4	
69	2	129555-51700	COVER							1	
70	2	129555-51710	GASKET							1	
71	2	129555-51750	COVER							1	
72	2	129555-51760	GASKET							1	
73	2	129155-51790	STOOPER, RACK							1	
74	2	129156-51910	LABEL, CAUTION							1	
75	2	129155-51930	SPACER, T=3.25							1	
76	2	129155-51940	SPACER, T=1.5							1	
77	2	129155-51420	PLUG, M16							1	
78	2	22351-050010	PIN, SPRING 5.0X10							2	
79	2	24101-063034	BEARING, BALL 6303							1	
80	2	24341-000160	O-RING, 1AS16.0							1	
81	2	26116-050302	BOLT, M5X 30 PLATED							2	
82	2	129155-51020	STUD							2	
83	2	26022-050102	SCREW, M5X10							11	
84	2	26022-060162	SCREW, M6X16							4	
85	2	22217-050000	WASHER, SPRING 5							2	

Remarks

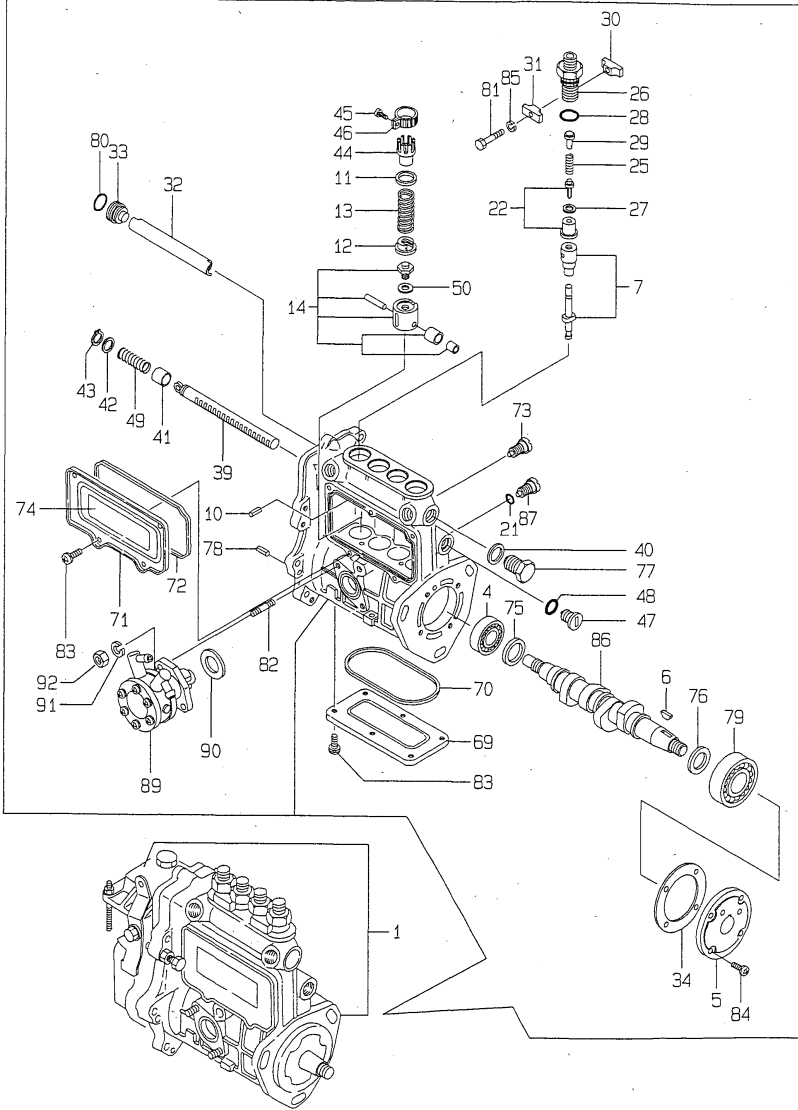
(1) GOVERNOR ASSY(FIG.NO.37)IS INCORPORATED IN THIS FUEL INJECTION PUMP ASSY(REF.NO.1)



# Fig.35. FUEL INJECTION PUMP

## 35.FUEL INJECTION PUMP

4TN84



(A)=  
(B)=  
(C)=

(D)=4TN82-REY  
(E)=  
(F)=4TN84-REY

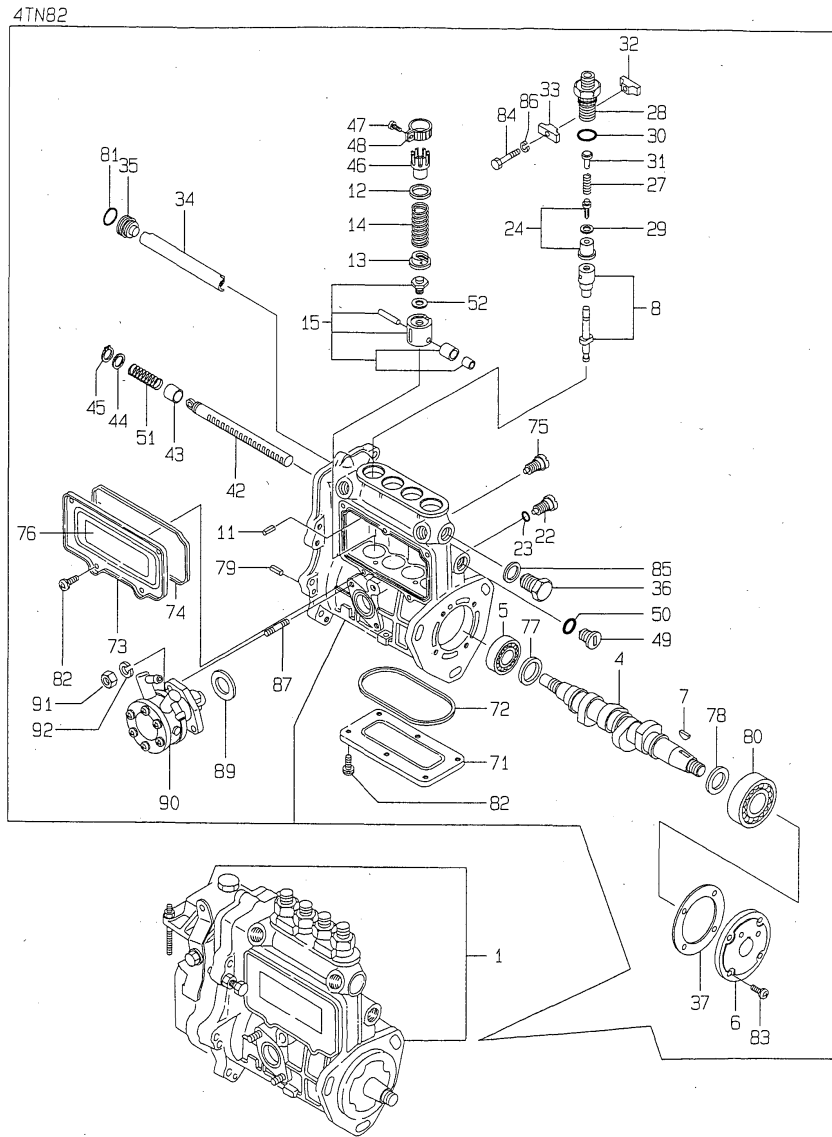
No.	Lev.	Parts No.	Description	Q'ty						I	R
				(A)	(B)	(C)	(D)	(E)	(F)		
86	2	129506-51040	CAMSHAFT								1
87	2	129155-51270	STOPPER, TAPPET								4
89	2	171353-52100	PUMP ASSY, FUEL FEED								1
90	2	129155-52050	GASKET								1
91	2	22217-060000	WASHER, SPRING 6								2
92	2	26716-060002	NUT, M6								2

Remarks

(1) GOVERNOR ASSY(FIG.NO.37)IS INCORPORATED IN THIS FUEL INJECTION PUMP ASSY(REF.NO.1)

Fig.36. FUEL INJECTION PUMP

36.FUEL INJECTION PUMP



(A)=  
(B)=  
(C)=

(D)=4TN82-REY  
(E)=  
(F)=4TN84-REY

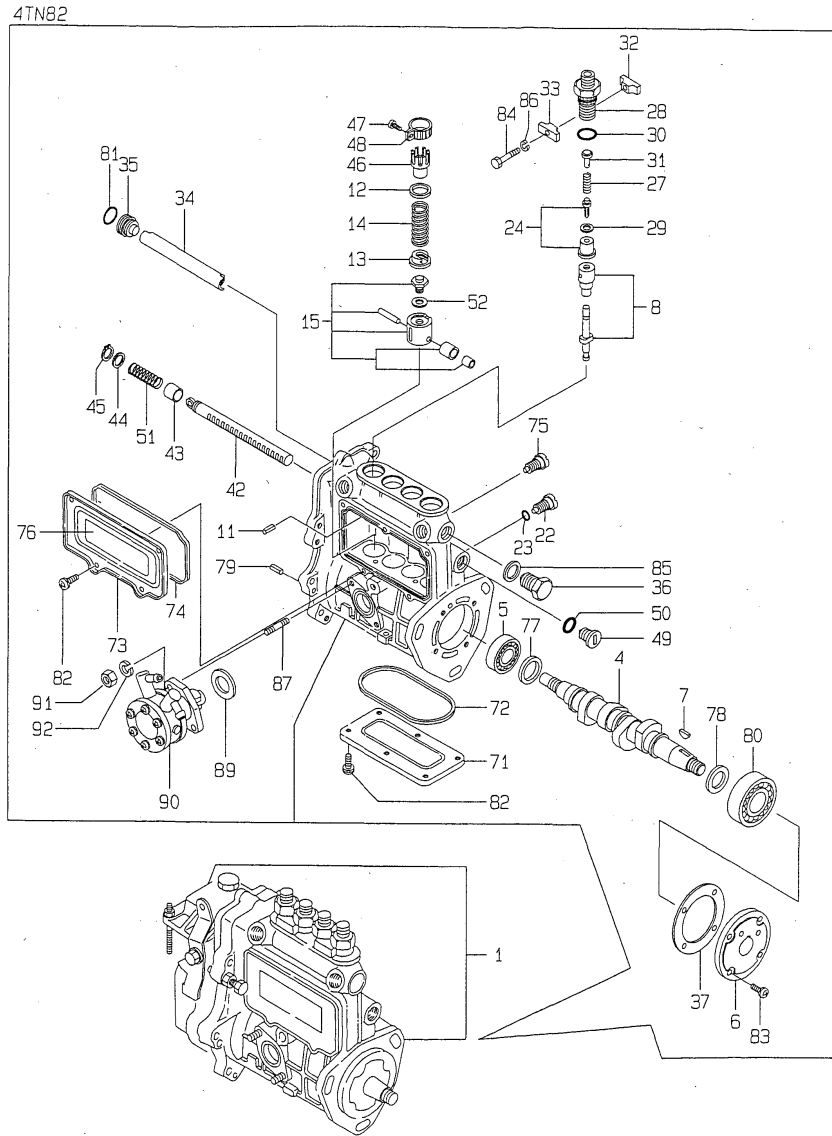
No.	Lev.	Parts No.	Description	Q'ty						I	R
				(A)	(B)	(C)	(D)	(E)	(F)		
1	1	729429-51360	PUMP ASSY, INJECTION				1				1
4	2	129470-51040	CAMSHAFT				1				
5	2	129155-51050	BEARING, 17BM001D				1				
6	2	129155-51060	SUPPORT, CAMSHAFT				1				
7	2	122710-51090	KEY				1				
8	2	129400-51100	PLUNGER ASSY				4				
11	2	129155-51140	PIN				4				
12	2	174307-51170	RETAINER, SPRING A				4				
13	2	129155-51180	RETAINER, SPRING				4				
14	2	124950-51190	SPRING, PLUNGER				4				
15	2	129155-51200	TAPPET ASSY				4				
22	2	129155-51270	STOPPER, TAPPET				4				
23	2	129155-51280	O-RING, S6				4				
24	2	129505-51300	VALVE ASSY, DELIVERY				4				
27	2	129155-51320	SPRING, DELIVERY				4				
28	2	129155-51340	RETAINER				4				
29	2	124550-51350	GASKET, DELIVERY				4				
30	2	124550-51370	O-RING				4				
31	2	129155-51370	STOPPER, VALVE				4				
32	2	129155-51380	STOPPER				2				
33	2	129155-51390	STOPPER				2				
34	2	129555-51400	DEFLECTOR				1				
35	2	129155-51410	BOLT				1				
36	2	129155-51420	PLUG, M16				1				
37	2	129155-51450	SHIM SET, ADJUSTING				1				
42	2	129555-51500	RACK, CONTROL				1				
43	2	129155-51521	BUSH, RACK				1				
44	2	129155-51530	SPACER				1				
45	2	129155-51540	CIRCLIP				1				
46	2	129155-51550	PINION, CONTROL				4				
47	2	122117-51560	SCREW				4				
48	2	174307-51560	PINION				4				
49	2	129155-51570	PLUG, M12				1				
50	2	129155-51580	O-RING				1				
51	2	129155-51591	SPRING, RACK				1				
52	2	129155-51600	SHIM SET, ADJUSTING				4				
71	2	129555-51700	COVER				1				
72	2	129555-51710	GASKET				1				
73	2	129555-51750	COVER				1				
74	2	129555-51760	GASKET				1				
75	2	129155-51790	STOOPER, RACK				1				
76	2	129156-51910	LABEL, CAUTION				1				
77	2	129155-51930	SPACER, T=3.25				1				
78	2	129155-51940	SPACER, T=1.5				1				
79	2	22351-050010	PIN, SPRING 5.0X10				2				
80	2	24101-063034	BEARING, BALL 6303				1				
81	2	24341-000160	O-RING, 1AS16.0				1				
82	2	26022-050102	SCREW, M5X10				11				
83	2	26022-060162	SCREW, M6X16				4				
84	2	26116-050302	BOLT, M5X 30 PLATED				2				
85	2	22190-160002	WASHER, SEAL 16				1				

Remarks

(1) GOVERNOR ASSY(FIG.NO.37)IS  
INCORPORATED IN THIS FUEL  
INJECTION PUMP ASSY(REF.NO.1)

Fig.36. FUEL INJECTION PUMP

36.FUEL INJECTION PUMP



(A)=  
(B)=  
(C)=

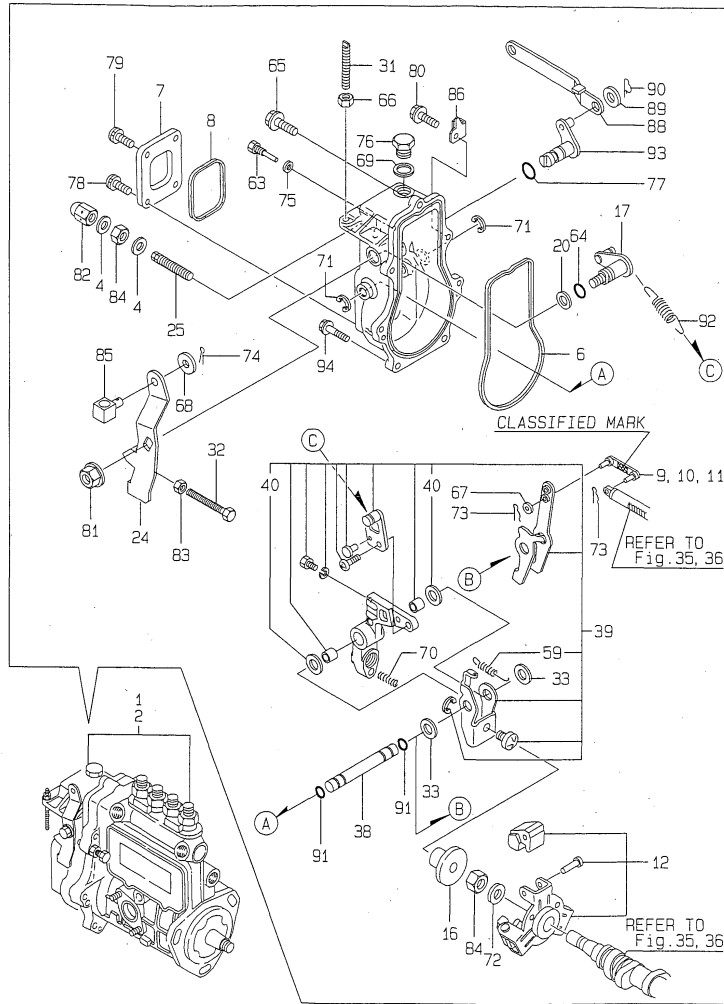
(D)=4TN82-REY  
(E)=  
(F)=4TN84-REY

No.	Lev.	Parts No.	Description	Q'ty						I	R
				(A)	(B)	(C)	(D)	(E)	(F)		
86	2	22217-050000	WASHER, SPRING 5				2				
87	2	129155-51020	STUD				2				
89	2	129155-52050	GASKET				1				
90	2	171353-52100	PUMP ASSY, FUEL FEED				1				
91	2	26716-060002	NUT, M6				2				
92	2	22217-060000	WASHER, SPRING 6				2				

Remarks  
(1) GOVERNOR ASSY(FIG.NO.37)IS  
INCORPORATED IN THIS FUEL  
INJECTION PUMP ASSY(REF.NO.1)

Fig.37. GOVERNOR

37. GOVERNOR



Remarks

- (1) SELECTIVE PARTS: CERTAIN THE CLASSIFICATION MARK, THEN PLACE YOUR ORDER (REFER TO ILLUSTRATION).
- (2) FUEL INJECTION PUMP ASSY (FIG. NO. 35) IS INCORPORATED IN THIS FUEL INJECTION PUMP ASSY (REF. NO. 1)
- (3) FUEL INJECTION PUMP ASSY (FIG. NO. 36) IS INCORPORATED IN THIS FUEL INJECTION PUMP ASSY (REF. NO. 2)

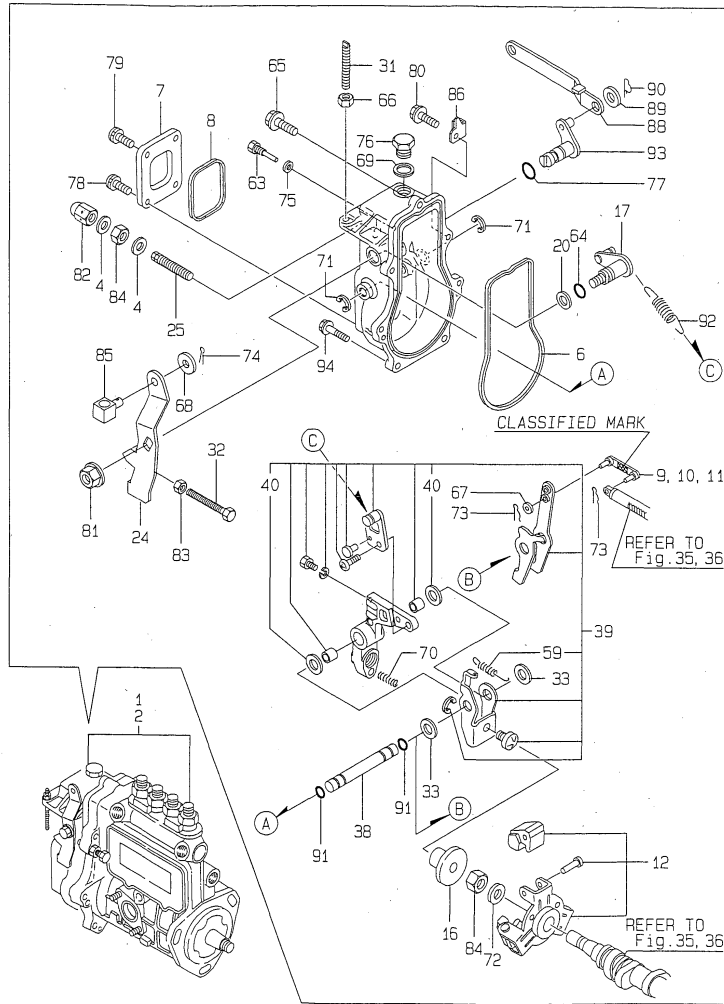
(A)=  
(B)=  
(C)=

(D)=4TN82-REY  
(E)=  
(F)=4TN84-REY

No.	Lev.	Parts No.	Description	Q'ty						I	R
				(A)	(B)	(C)	(D)	(E)	(F)		
1	1	729425-51360	PUMP ASSY, INJECTION							1	2
2	1	729429-51360	PUMP ASSY, INJECTION				1				3
4	2	22190-120002	WASHER, SEAL 12				2			2	
6	2	129155-61050	GASKET				1			1	
7	2	129155-61060	COVER, GOVERNOR CASE				1			1	
8	2	129155-61070	GASKET				1			1	
9	2	129155-61120	LINK, L=30 MARK 0				1			1	1
10	2	129155-61130	LINK, L=31 MARK 1				1			1	1
11	2	129155-61140	LINK, L=30.5 MARK 05				1			1	1
12	2	129155-61201	WEIGHT ASSY, GOVERNOR				1			1	
16	2	129155-61341	SLEEVE				1			1	
17	2	129100-61400	SHAFT ASSY				1			1	
20	2	129155-61430	SPACER				1			1	
24	2	129505-61440	LEVER, CONTROL				1			1	
25	2	129129-61450	LIMITER ASSY, FUEL				1			1	
31	2	129155-61450	BOLT, LIMITER				1			1	
32	2	129155-61460	BOLT, IDLE				1			1	
33	2	129155-61480	SPACER ASSY				2			2	
38	2	129155-61490	SHAFT				1			1	
39	2	119843-61500	LEVER ASSY, GOVERNOR				1			1	
40	3	174307-51700	SHIM SET				2			2	
59	3	119843-61540	SPRING, SET				1			1	
63	2	129155-61810	PIN				1			1	
64	2	129155-61830	O-RING, S10				1			1	
65	2	129155-61950	BOLT				1			1	
66	2	124550-66370	NUT, M6				1			1	
67	2	22117-040000	WASHER, 4				1			1	
68	2	22137-080000	WASHER, 8				1			1	
69	2	22190-100002	WASHER, SEAL 10				1			1	
70	2	129100-61650	SPRING, CONTROLLER				1			1	
71	2	22272-000060	RING, E-6				2			2	
72	2	22287-120000	WASHER, 12				1			1	
73	2	22372-040000	PIN, SNAP 4				2			2	
74	2	22417-160180	PIN, COTTER 1.6X18				1			1	
75	2	22190-060002	WASHER, SEAL 6				1			1	
76	2	23887-100002	PLUG, 10				1			1	
77	2	24311-240100	O-RING, 1AP10A				1			1	
78	2	26022-050102	SCREW, M5X10				2			2	
79	2	26023-050102	SCREW, M5X10				2			2	
80	2	26106-060252	BOLT, M6X 25 PLATED				1			1	
81	2	26366-080002	NUT, M8				1			1	
82	2	26687-120002	NUT, CAP M12				1			1	
83	2	26756-060002	NUT, LOCK M6				1			1	
84	2	26776-120002	NUT, LOCK M12				2			2	
85	2	194150-01370	ADJUSTER				1			1	
86	2	129116-61890	SUPPORT				1			1	
88	2	129429-66860	LINK				1			1	
89	2	22117-080000	WASHER, 8				1			1	
90	2	22372-080000	PIN, SNAP 8				1			1	
91	2	129155-51280	O-RING, S6				2			2	
92	2	171353-61710	SPRING, GOVERNOR				1			1	

Fig.37. GOVERNOR

37. GOVERNOR



(A)=  
(B)=  
(C)=

(D)=4TN82-REY  
(E)=  
(F)=4TN84-REY

No.	Lev.	Parts No.	Description	Q'ty						I	R
				(A)	(B)	(C)	(D)	(E)	(F)		
93	2	129129-61801	LEVER ASSY, STOP				1			1	
94	2	26106-060202	BOLT, M6X 20 PLATED				5			5	

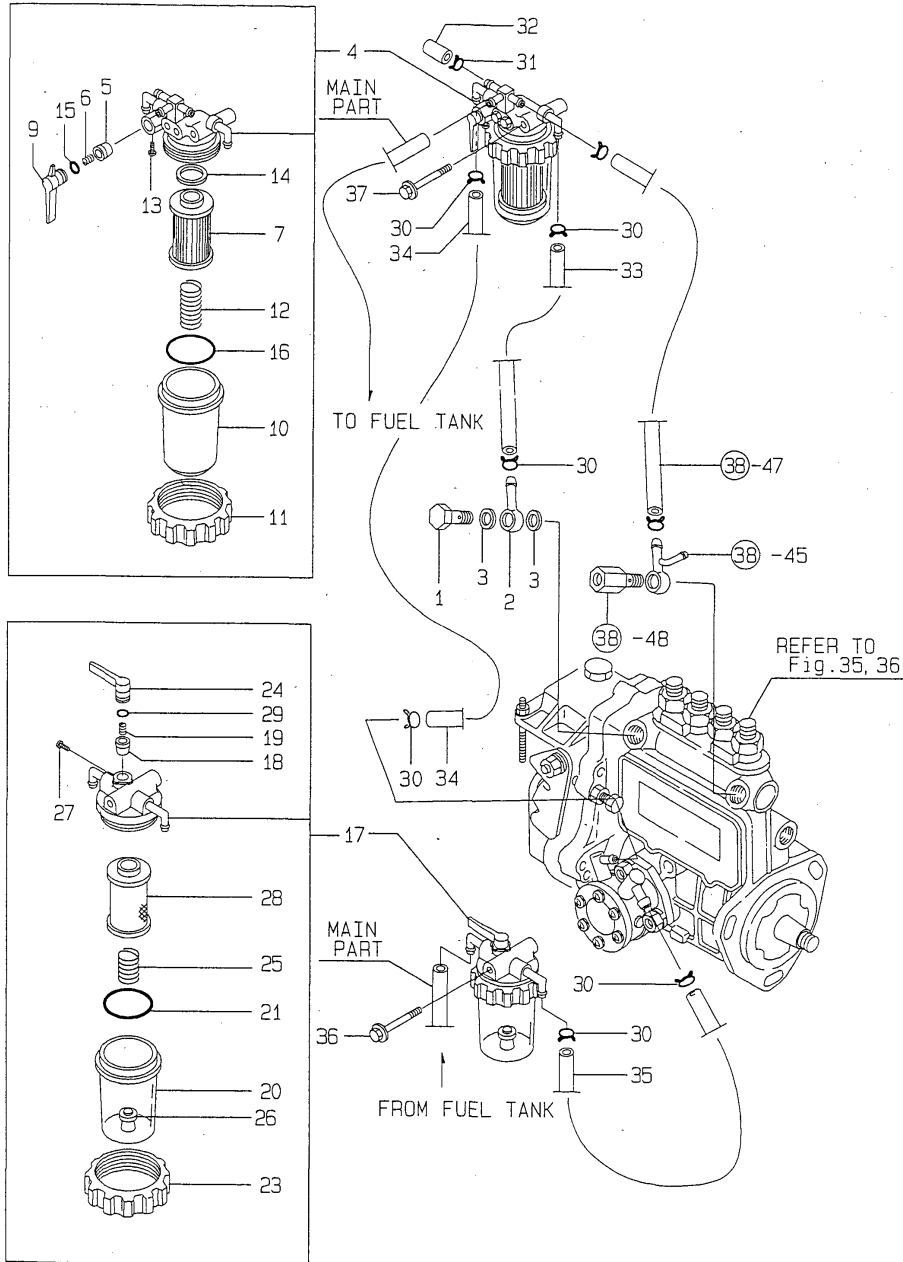
Remarks

- (1) SELECTIVE PARTS:CERTAIN THE CLASSIFICATION MARK, THEN PLACE YOUR ORDER(REFER TO ILLUSTRATION).
- (2) FUEL INJECTION PUMP ASSY(FIG.NO. 35)IS INCORPORATED IN THIS FUEL INJECTION PUMP ASSY(REF.NO.1)
- (3) FUEL INJECTION PUMP ASSY(FIG.NO. 36)IS INCORPORATED IN THIS FUEL INJECTION PUMP ASSY(REF.NO.2)



Fig.39. FUEL LINE

39.FUEL LINE



(A)=  
(B)=  
(C)=

(D)=4TN82-REY  
(E)=  
(F)=4TN84-REY

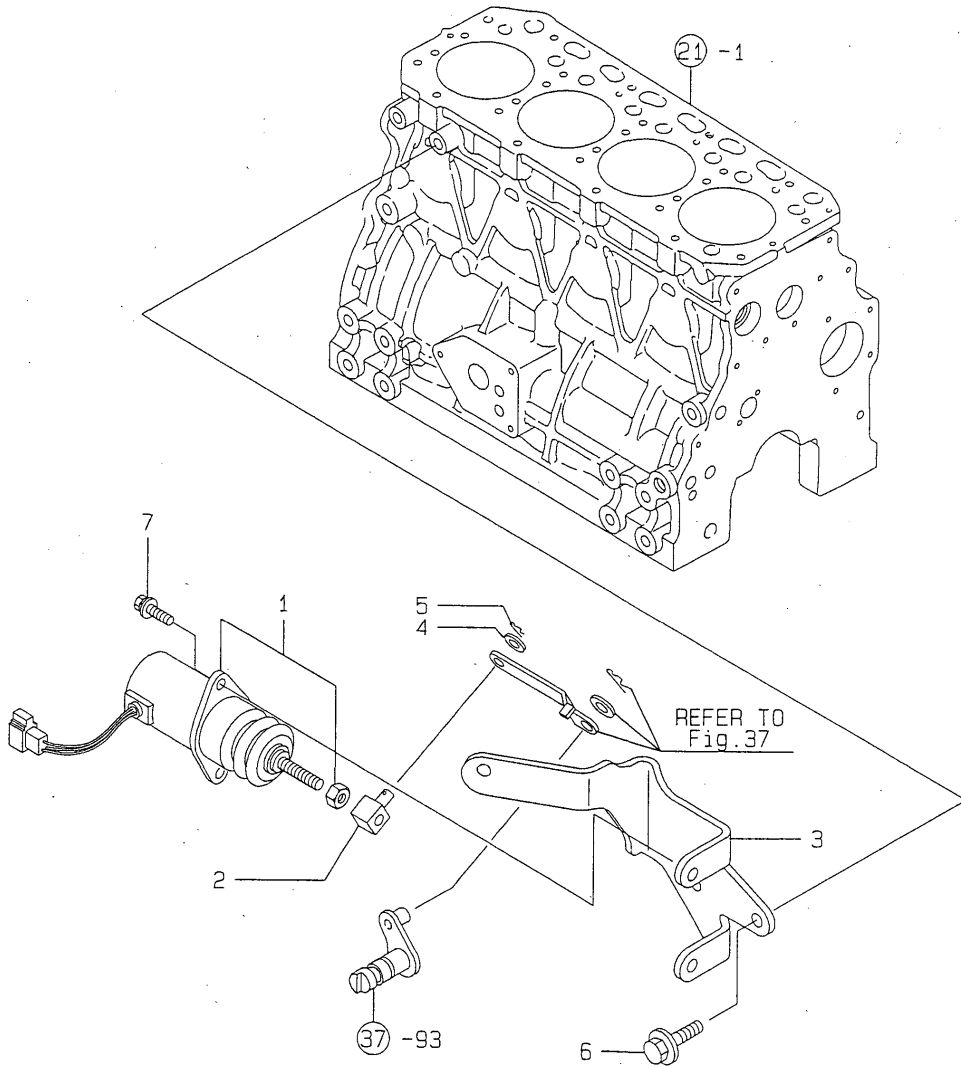
No.	Lev.	Parts No.	Description	Qty						I	R
				(A)	(B)	(C)	(D)	(E)	(F)		
1	1	103854-39140	BOLT, PIPE JOINT				1			1	
2	1	101304-59020	JOINT, PIPE 12				1			1	
3	1	104200-59170	GASKET, 12				2			2	
4	1	129100-55621	FILTER ASSY, FUEL				1			1	
5	2	104200-55321	VALVE, TAPER				1			1	
6	2	104200-55330	SPRING, VALVE				1			1	
7	2	129100-55650	ELEMENT				1			1	
9	2	129100-55670	LEVER				1			1	
10	2	129100-55680	CUP, STRAINER				1			1	
11	2	129100-55690	RING, RETAINING				1			1	
12	2	129100-55700	SPRING				1			1	
13	2	104200-55750	SCREW, M4				1			1	
14	2	24311-000160	O-RING, 1AP16.0				1			1	
15	2	24311-240100	O-RING, 1AP10A				1			1	
16	2	24321-000650	O-RING, 1AG65.0				1			1	
17	1	129450-55702	SEPARATOR, WATER				1			1	
18	2	104200-55321	VALVE, TAPER				1			1	
19	2	104200-55330	SPRING, VALVE				1			1	
20	2	124064-55510	COVER				1			1	
21	2	102103-55520	O-RING				1			1	
23	2	110250-55610	RING, RETAINING				1			1	
24	2	129100-55670	LEVER				1			1	
25	2	121257-55720	SPRING				1			1	
26	2	121257-55731	FLOAT				1			1	
27	2	104200-55750	SCREW, M4				1			1	
28	2	171081-55910	SCREEN				1			1	
29	2	24311-240100	O-RING, 1AP10A				1			1	
30	1	124766-59050	CLIP, HOSE 12				6			6	
31	1	124066-59100	CLIP, HOSE 8				1			1	
32	1	129150-59580	CAP				1			1	
33	1	23980-730240	HOSE, 7.3X 240				1			1	
34	1	23980-730450	HOSE, 7.3X 450				1			1	
35	1	23980-730600	HOSE, 7.3X 600				1			1	
36	1	26106-080602	BOLT, M8X 60 PLATED				1			1	
37	1	26106-080652	BOLT, M8X 65 PLATED				1			1	

Fig.40. ENGINE STOP DEVICE

40.ENGINE STOP DEVICE

(A)=  
(B)=  
(C)=

(D)=4TN82-REY  
(E)=  
(F)=4TN84-REY

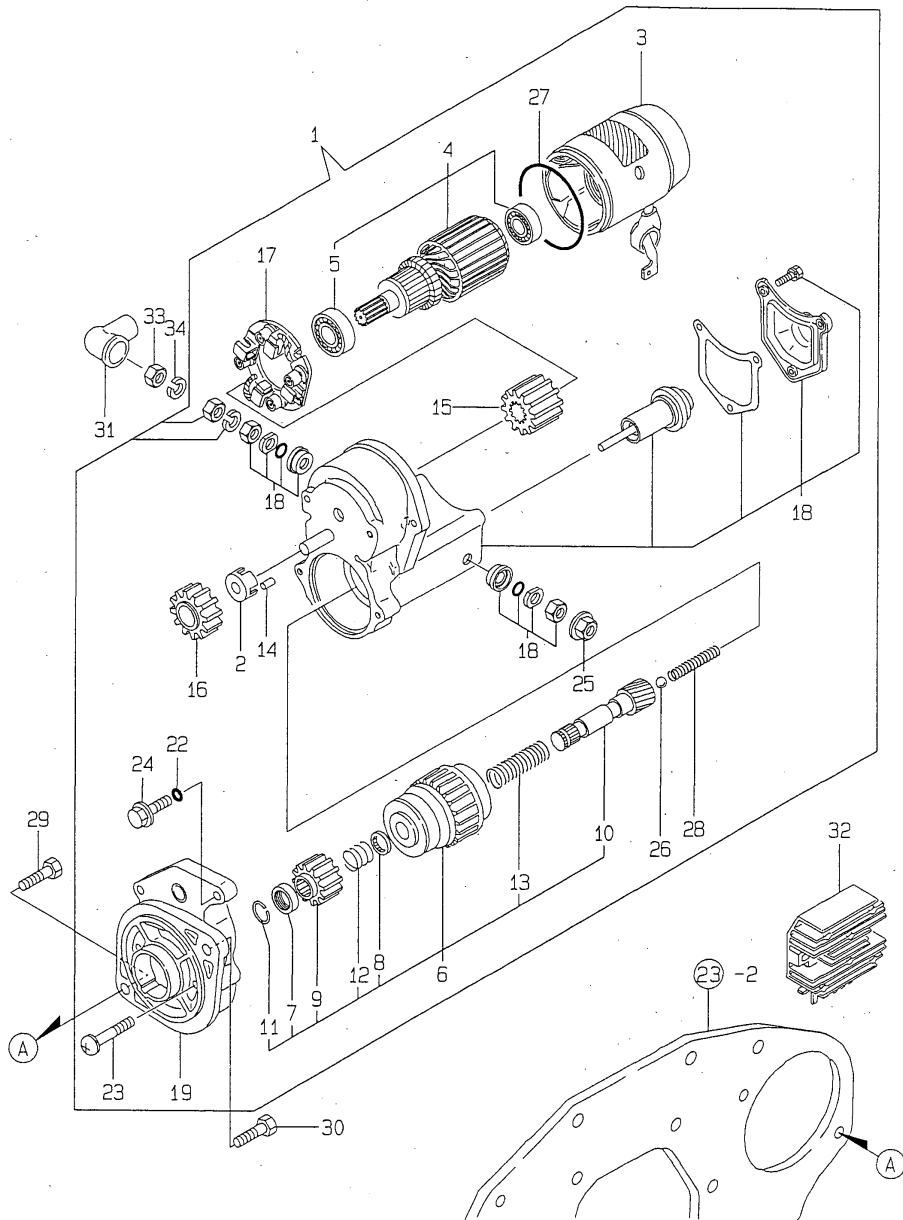


No.	Lev.	Parts No.	Description	Q'ty						I	R
				(A)	(B)	(C)	(D)	(E)	(F)		
1	1	119629-66800	SOLENOID				1				1
2	1	119620-66820	JOINT				1				1
3	1	129429-66870	BRACKET, SOLENOID				1				1
4	1	22117-060000	WASHER, 6				1				1
5	1	22360-060000	PIN, SNAP 6				1				1
6	1	26106-060102	BOLT, M6X 10 PLATED				2				2
7	1	26106-080142	BOLT, M8X 14 PLATED				2				2



Fig.41. STARTING MOTOR

41. STARTING MOTOR



(A)=  
(B)=  
(C)=

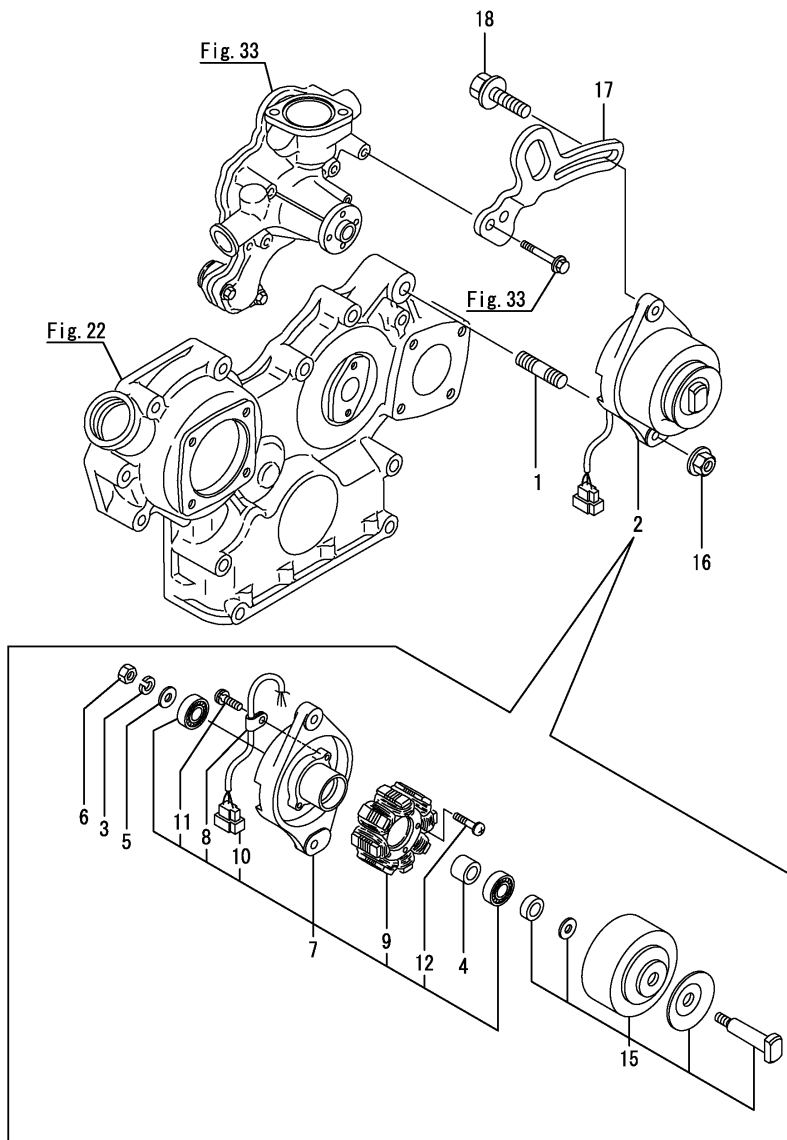
(D)=4TN82-REY  
(E)=  
(F)=4TN84-REY

No.	Lev.	Parts No.	Description	Q'ty						I	R
				(A)	(B)	(C)	(D)	(E)	(F)		
1	1	129429-77010	STARTER ASSY				1			1	
2	2	X0280630011	RETAINER				1			1	
3	2	X0281003760	YORK				1			1	
4	2	X0282002140	ARMATURE				1			1	
5	3	X9491002160	BEARING				1			1	
6	2	X0283002081	CLUTCH ASSY				1			1	
7	3	X0280210230	NUT				1			1	
8	3	X0283270140	RETAINER				1			1	
9	3	X0283711770	PINION				1			1	
10	3	X0283810040	SHAFT				1			1	
11	3	X9490721080	RING				1			1	
12	3	X9491703371	SPRING, COIL				1			1	
13	3	X9491704260	SPRING				1			1	
14	2	X0283060061	ROLLER				5			5	
15	2	X0283711410	PINION				1			1	
16	2	X0283711420	PINION				1			1	
17	2	X0285100640	HOLDER				1			1	
18	2	X0534009490	SWITCH ASSY,MAGNET				1			1	
19	2	X1284017300	HOUSING				1			1	
22	2	X9080110060	O-RING				2			2	
23	2	X9490064720	SCREW				2			2	
24	2	X9490422860	THROUGH BOLT				2			2	
25	2	X9490561370	NUT				1			1	
26	2	X9491200240	BALL				1			1	
27	2	X9491403680	O-RING				1			1	
28	2	X9491703380	SPRING				1			1	
29	1	129155-77060	BOLT				1			1	
30	1	26116-120202	BOLT, M12X 20 PLATED				1			1	
31	1	124550-77030	COVER, TERMINAL				1			1	
32	1	129150-77710	LIMITER, CURRENT 20A				1			1	
33	1	26756-080002	NUT, LOCK M8				1			1	
34	1	22217-080000	WASHER, SPRING 8				1			1	

Fig.42. GENERATOR

(A)=  
(B)=  
(C)=

(D)=4TN82-REY  
(E)=  
(F)=4TN84-REY



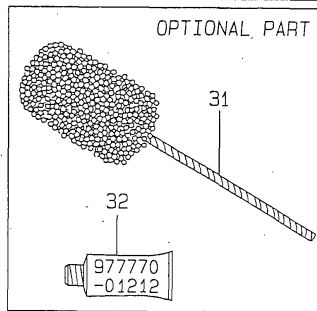
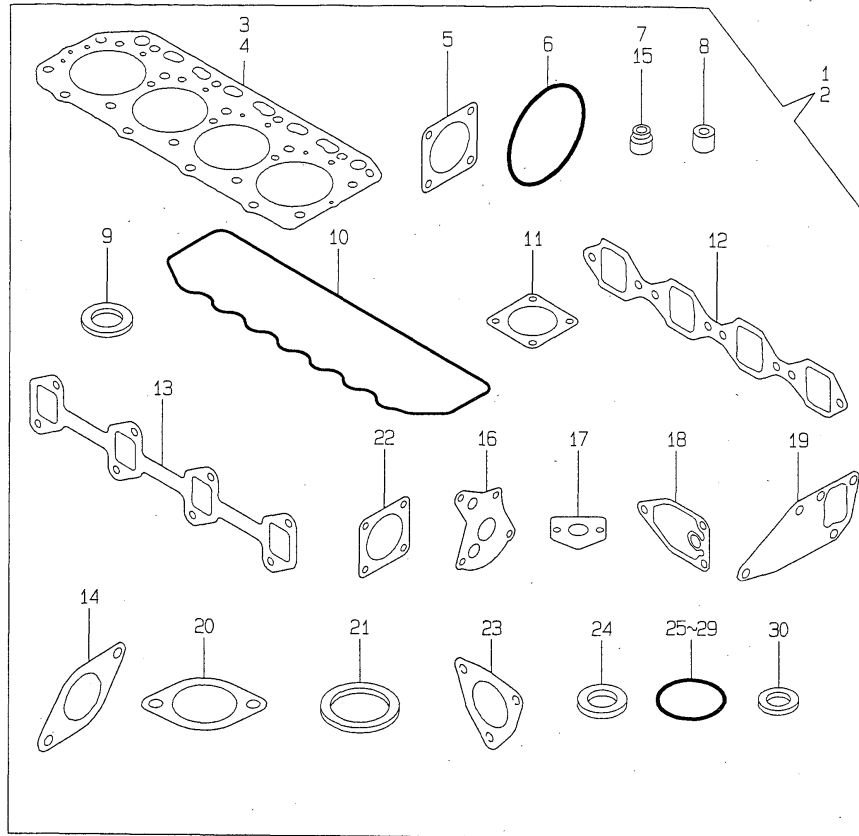
No.	Lev.	Parts No.	Description	Q'ty						I	R
				(A)	(B)	(C)	(D)	(E)	(F)		
1	1	121450-01570	BOLT, STUD				1				1
2	1	129150-77202	GENERATOR				1				1
3	2	XM219230000	WASHER, SPRING				1				1
4	2	XM329830000	COLLAR				1				1
5	2	XM860250000	WASHER, 10				1				1
6	2	XM863720000	NUT				1				1
7	2	129150-77210	PLATE ASSY				1				1
8	3	XM069000000	CLAMP				1				1
9	3	XM081780000	STATOR				1				1
10	3	XM178780000	COUPLER				1				1
11	3	XYSPS400800	SCREW				1				1
12	3	XYSPS402400	SCREW				2				2
15	2	129150-77230	FLYWHEEL ASSY				1				1
16	1	26366-100002	NUT, M10				1				1
17	1	129466-77331	ADJUSTER				1				1
18	1	26014-080252	BOLT, M8X 25				1				1

Fig.43. GASKET SET

(A)=  
(B)=  
(C)=

(D)=4TN82-REY  
(E)=  
(F)=4TN84-REY

43. GASKET SET



No.	Lev.	Parts No.	Description	Q'ty						I	R	
				(A)	(B)	(C)	(D)	(E)	(F)			
1	1	729429-92600	GASKET SET				1				1	
2	1	729425-92600	GASKET SET							1		1
3	2	129537-01351	GASKET, HEAD				1					
4	2	129405-01331	GASKET, HEAD							1		
5	2	124240-01883	GASKET				3			3		
6	2	121850-51960	O-RING				1			1		
7	2	124460-11340	SEAL, VALVE STEM				4			4		
8	2	119625-11871	PROTECTOR, NOZZLE				4			4		
9	2	119625-11880	SEAT, NOZZLE				4			4		
10	2	129550-11310	GASKET, BONNET				1			1		
11	2	129150-77511	GASKET				1			1		
12	2	129550-12111	GASKET, MANIFOLD				1			1		
13	2	129550-13110	GASKET				1			1		
14	2	129107-13540	GASKET, SILENCER				1			1		
15	2	121400-11340	SEAL, VALVE STEM				4			4		
16	2	129150-32020	GASKET, PUMP				1			1		
17	2	129150-35041	GASKET				1			1		
18	2	129150-35111	GASKET				1			1		
19	2	129150-42020	GASKET, WATER PUMP				1			1		
20	2	129795-49551	GASKET				1			1		
21	2	129150-49811	GASKET, THERMOSTAT				1			1		
22	2	129150-01881	GASKET				1			1		
23	2	119629-13580	GASKET				1			1		
24	2	124465-44950	GASKET, 16				1			1		
25	2	24311-000120	O-RING, 1AP12.0				3			3		
26	2	24311-000160	O-RING, 1AP16.0				3			3		
27	2	24311-000320	O-RING, 1AP32.0				2			2		
28	2	24341-000240	O-RING, 1AS24.0				1			1		
29	2	24341-000500	O-RING, 1AS50.0				1			1		
30	2	129150-49360	GASKET				1			1		
31	1	129400-92420	HONE				1			1		1
32	1	977770-01212	GASKET, LIQUID				1			1		1

Remarks  
(1) OPTIONAL PART.

## Parts No. Index

Parts No.	Fig. No.	Ref. No.
101304-59020	16	2
	39	2
102103-55520	16	21
	39	21
103854-39140	16	1
	39	1
104200-55321	16	5
		18
	39	5
104200-55330	16	6
		19
	39	6
104200-55750	16	13
		27
	39	13
104200-59170	16	3
	20	24
	39	3
105425-01690	3	4
	23	5
110250-55610	16	23
	39	23
114250-53080	15	5
	38	5
114250-53120	15	9
	38	9
114250-53130	15	10
	38	10
114250-53140	15	11
	38	11
114250-53210	15	12
	38	12
114250-53400	15	13
	38	13
119260-34810	1	23
	23	20
119620-49290	12	29
	34	9
119620-66820	17	2
	40	2
119625-11870	20	6
119625-11871	5	23
	24	23
119625-11880	43	8
	5	24
	20	7
	24	24

Parts No.	Fig. No.	Ref. No.
119625-11880	43	9
119625-11900	5	25
	24	22
119629-13580	7	11
	20	21
	27	12
	43	23
119629-49070	12	15
	34	19
119629-49080	12	16
	34	20
119629-66800	17	1
	40	1
119810-51040	13	5
119820-66870	17	3
119840-59560	15	39
	38	44
119840-59570	15	40
	38	45
119843-61500	14	31
	37	39
119843-61540	14	46
	37	59
120130-11860	5	5
	24	5
121100-22400	9	22
	29	25
121111-21501	9	7
	29	10
121250-44590	12	12
	34	16
	12	17
121250-49160	12	17
	15	38
121250-59550	15	38
	38	43
121252-44510	12	1
	34	1
121257-55720	16	25
	39	25
121257-55731	16	26
	39	26
121267-49500	12	25
	34	28
121400-11340	5	20
	20	12
121420-12561	24	19
	43	15
	6	15
121422-12570	26	16
	6	16
	26	17

Parts No.	Fig. No.	Ref. No.
121422-12580	6	17
	26	18
121450-01560	2	2
	22	5
	19	1
121450-01570	42	1
	11	20
121450-42450	33	16
	12	3
121450-44530	34	3
	9	33
121550-23200	29	36
	12	6
121750-44550	34	6
	6	18
121820-12590	26	19
	9	11
121820-21690	29	14
	5	9
121850-11860	24	9
	29	4
121850-21290	30	15
	9	14
121850-21680	29	17
	2	11
121850-51960	20	4
	22	19
	43	6
122117-51560	13	48
	35	45
	36	47
122710-51090	13	8
	35	6
123385-82200	36	7
	30	18
124064-55510	16	20
	39	20
124066-59100	15	37
	16	32
	38	42
124160-01751	39	31
	2	6
	4	3
124160-01910	22	7
	25	3
	1	4
124160-11360	21	4
		5
	4	1
	25	1

Parts No.	Fig. No.	Ref. No.
124160-39140	10	52
	31	31
124160-39450	10	60
	31	32
124240-01871	2	7
		23
124240-01883	22	9
		38
	2	8
124250-49351		24
	10	1
	20	3
124450-44560	22	10
		11
124460-11340		12
	43	5
124465-44950	11	18
	33	30
124550-21600	12	4
	34	4
124550-51350	5	21
	20	5
124550-51370	24	20
	43	7
124550-51370	11	21
	20	22
124550-51370	33	17
	43	24
124550-51370	9	10
	29	13
124550-51370	13	30
	35	27
124550-51370	36	29
	13	31
124550-51370	35	28
	36	30
124550-59820	10	57
	31	37
124550-66370	14	59
	37	66
124550-77030	18	37
	41	31
124574-44761	33	23
124722-42290	11	22
	33	20
124722-49160	34	21
124766-59050	16	31
	38	41
124950-51190	39	30
	13	15

## Parts No. Index

Parts No.	Fig. No.	Ref. No.
124950-51190	35	13
	36	14
128170-14150	30	17
128170-51300	13	25
129001-32001	10	24
129001-35300	10	48
	31	27
129100-01520	2	1
	22	4
129100-01580	3	1
		12
	23	1
		14
	29	8
129100-01590	2	3
	22	1
129100-11100	5	14
	24	14
129100-11110	5	15
	24	15
129100-23910	9	32
	29	35
129100-25061	8	8
	28	8
129100-55621	16	4
	39	4
129100-55650	16	7
	39	7
129100-55670	16	9
		24
	39	9
		24
129100-55680	16	10
	39	10
129100-55690	16	11
	39	11
129100-55700	16	12
	39	12
129100-59951	15	42
	38	48
129100-61400	14	15
	37	17
129100-61440	14	22
129100-61650	14	91
	37	70
129102-53000	38	2 A
129105-22080	9	15
	29	18 A
129105-22500	9	17
	29	20 A

Parts No.	Fig. No.	Ref. No.
129105-22920	9	38
	29	41 A
129105-22970	9	40
	29	43 A
129107-12090	6	1
129107-12121	6	3
129107-13100	7	1
129107-13540	7	8
	20	18
	27	2
	43	14
129107-42002	11	1
	33	1
129107-59810	15	25
129107-59820	15	29
129107-59830	15	33
129116-61890	14	57
	37	86
129120-01780	3	15
	23	17
129120-44741	33	22
129120-77501	6	21
	26	5
129126-01600	3	2
	23	2
129126-01700	3	5
129126-12260	6	9
129126-12290	6	7
129126-12500	6	11
	26	12
129126-12520	6	13
	26	14
129126-13500	7	7
129126-13571	7	10
	27	11
129126-21590	9	8
129126-44500	12	8
129126-44550	12	9
129126-44560	12	10
129126-44570	12	11
	34	15
129126-44610	12	7
129126-44650	12	19
129126-44660	12	20
	34	24
	11	25
129126-44760	11	25
129126-49010	12	23
129126-49020	12	24
129126-55710	16	30
129128-34800	23	19

Parts No.	Fig. No.	Ref. No.
129129-11700	5	1
129129-12510	6	12
	26	13
129129-14580	8	3
129129-34810	1	24
129129-34820	1	25
129129-35090	10	40
129129-44590	12	13
	34	17
129129-61450	14	75
	37	25
129129-61801	14	92
	37	93
129129-66860	14	85
129129-77010	18	1
129129-77210	18	6
129129-77220	18	7
129129-77230	18	8
129129-77240	18	9
129129-77250	18	10
129129-77260	18	21
129129-77270	18	22
129129-77280	18	23
129129-77290	18	24
129129-77300	18	25
129129-77310	18	27
129129-77320	18	28
129129-77330	18	29
129129-77340	18	30
129129-77350	18	31
129129-77361	18	32
129129-77380	18	33
129129-77390	18	14
129129-77400	18	17
129129-77410	18	18
129129-77420	18	19
129129-77430	18	20
129150-01200	1	21
	21	26
129150-01580	2	30
	22	6
129150-01721	3	6
129150-01881	8	16
	20	19
	28	14
	43	22
129150-02020	1	10
	21	14
129150-02450	8	4
	28	2

Parts No.	Fig. No.	Ref. No.
129150-02800	1	13
	21	17
129150-02870	1	28
	21	28
129150-02930	1	16
	21	20
129150-02940	1	31
	21	31
129150-03020	4	4
	25	4
129150-03070	4	5
	25	5
129150-03080	4	6
	25	6
129150-03090	4	13
	25	13
129150-03100	2	10
	22	37
129150-11230	5	35
	24	37
129150-11280	5	30
	24	33
129150-11290	5	31
129150-11310	4	8
	20	8
129150-11370	5	19
	24	21
129150-11750	5	37
	24	36
129150-11810	5	7
	24	7
129150-12111	6	5
	20	10
129150-13110	7	2
	20	11
129150-14101	8	6
	28	4
129150-14200	8	1
	28	6
129150-14400	8	2
	28	7
129150-21200	9	3
	29	3
129150-21651	9	12
129150-22300	9	21
	29	24
129150-23600	9	34
	29	37
129150-23610	9	36
	29	39

## Parts No. Index

Parts No.	Fig. No.	Ref. No.
129150-25101	8	9
	28	9
129150-25900	8	13
	28	19
129150-25920	8	12
	28	12
129150-26000	8	17
	28	15
129150-26050	8	18
	28	16
129150-32020	10	37
	20	13
	31	14
	43	16
129150-35041	10	39
	20	14
	31	16
	43	17
129150-35101	10	45
	31	24
129150-35111	10	46
	20	20
	31	25
	43	18
129150-35151	10	47
	31	26
129150-35350	10	49
	31	28
129150-39450	10	53
129150-42020	11	15
	20	15
	33	15
	43	19
129150-42320	11	11
	33	11
129150-49080	12	14
	34	18
129150-49360	11	19
	20	23
	33	31
	43	30
129150-49811	11	30
	20	17
	33	28
	43	21
129150-59120	15	20
	38	20
129150-59131	15	23
	38	23
129150-59580	15	41

Parts No.	Fig. No.	Ref. No.
129150-59580	16	33
	38	46
	39	32
129150-77202	19	2
	42	2
129150-77210	19	7
	42	7
129150-77230	19	15
	42	15
129150-77511	6	22
	20	9
	26	6
	43	11
129150-77710	19	17
	41	32
129150-91400	2	26
	22	33
129155-11241	5	27
129155-11260	5	28
	24	31
129155-11270	5	29
	24	32
129155-49800	11	29
	33	27
129155-51020	13	4
	35	82
	36	87
129155-51050	13	6
	35	4
	36	5
129155-51060	13	7
	35	5
	36	6
129155-51140	13	12
	35	10
	36	11
129155-51180	13	14
	35	12
	36	13
129155-51200	13	16
	35	14
	36	15
129155-51270	13	23
	35	87
	36	22
129155-51280	13	24
	14	90
	35	21
	36	23
	37	91

Parts No.	Fig. No.	Ref. No.
129155-51320	13	28
	35	25
	36	27
129155-51340	13	29
	35	26
	36	28
129155-51370	13	32
	35	29
	36	31
129155-51380	13	33
	35	30
	36	32
129155-51390	13	34
	35	31
	36	33
129155-51400	13	35
129155-51410	13	36
	35	33
	36	35
129155-51420	13	37
	35	77
	36	36
129155-51450	13	38
	35	34
	36	37
129155-51500	13	43
129155-51521	13	44
	35	41
	36	43
129155-51530	13	45
	35	42
	36	44
129155-51540	13	46
	35	43
	36	45
129155-51550	13	47
	35	44
	36	46
129155-51570	13	50
	35	47
	36	49
129155-51580	13	51
	35	48
	36	50
129155-51591	13	52
	35	49
	36	51
129155-51600	13	53
	35	50
	36	52

Parts No.	Fig. No.	Ref. No.
129155-51700	13	72
129155-51710	13	73
129155-51750	13	74
129155-51760	13	75
129155-51790	13	76
	35	73
	36	75
129155-51930	13	78
	35	75
	36	77
129155-51940	13	79
	35	76
	36	78
129155-52050	13	89
	35	90
	36	89
129155-61050	14	4
	37	6
129155-61060	14	5
	37	7
129155-61070	14	6
	37	8
129155-61120	14	7
	37	9
129155-61130	14	8
	37	10
129155-61140	14	9
	37	11
129155-61201	14	10
	37	12
129155-61341	14	14
	37	16
129155-61430	14	18
	37	20
129155-61450	14	23
	37	31
129155-61460	14	24
	37	32
129155-61480	14	25
	37	33
129155-61490	14	30
	37	38
129155-61810	14	55
	37	63
129155-61830	14	56
	37	64
129155-61950	14	58
	37	65
129155-77060	18	35
	41	29

## Parts No. Index

Parts No.	Fig. No.	Ref. No.
129156-51910	13	77
	35	74
	36	76
129157-01333	1	22
	20	2
129170-21000	9	1
129255-59580	38	47
129350-49530	11	27
	33	25
129354-44740	11	24
129400-12100	26	1
129400-28120	29	5
129400-28150	30	14
129400-28240	30	3
129400-51100	13	9
	35	7
	36	8
129400-59910	38	25
129400-59920	38	29
129400-59930	38	33
129400-59940	38	37
129400-92420	20	31
	43	31
129402-22080	29	18 B
129402-22920	29	41 B
129402-22970	29	43 B
129403-42380	11	23
	33	21
129405-01331	21	27 A
	43	4
129407-32000	31	1
129429-01720	23	7
129429-11700	24	1
129429-12290	26	8
129429-13501	27	1
129429-21590	29	11
129429-34810	23	21
129429-44500	34	12
129429-44550	34	13
129429-44560	34	14
129429-44610	34	7
129429-44650	34	23
129429-49010	34	26
129429-49020	34	27
129429-66860	37	88
129429-66870	40	3
129429-77010	41	1
129450-21650	29	15
129450-55702	16	17
	39	17

Parts No.	Fig. No.	Ref. No.
129466-77331	19	18
	42	17
129470-51040	36	4
129490-28010	30	1
129503-53000	15	2
	38	2 B
129505-13100	27	4
129505-51300	35	22
	36	24
129505-61440	37	24
129506-51040	35	86
129537-01351	43	3
129550-11290	24	28
129550-11310	25	8
	43	10
129550-12111	26	2
	43	12
129550-13110	27	5
	43	13
129550-35090	31	17
129550-39450	31	33
129550-44660	12	21
	34	25
129555-01750	23	8
129555-11241	24	27
129555-51400	35	32
	36	34
129555-51500	35	39
	36	42
129555-51700	35	69
	36	71
129555-51710	35	70
	36	72
129555-51750	35	71
	36	73
129555-51760	35	72
	36	74
129573-01351	21	27 B
129795-01800	2	5
	22	3
129795-01950	2	9
	22	13
129795-01960	30	16
129795-02411	1	19
	21	23
129795-11120	5	16
	24	16
129795-11180	5	17
	24	17
129795-21661	9	13

Parts No.	Fig. No.	Ref. No.
129795-21661	29	16
129795-49551	11	28
	20	16
	33	26
	43	20
171051-01921	1	5
	21	6
171081-55910	16	28
	39	28
171353-52100	13	90
	35	89
	36	90
171353-61710	14	81
	37	92
174307-51170	13	13
	35	11
	36	12
174307-51560	13	49
	35	46
	36	48
174307-51700	14	32
	37	40
178070-10400	32	23
178070-44000	22	18
	32	20
194065-41210	10	12
	32	10
194150-01370	14	84
	37	85
194278-41151	10	4
	32	2
194278-41160	10	6
	32	4
194278-41190	10	7
	32	5
194278-41210	10	13
	32	11
194521-41570	32	29
194990-22050	7	3
		9
		12
	10	2
	22	14
		15
	27	3
		6
		13
198240-41110	10	3
	22	17
	32	1

Parts No.	Fig. No.	Ref. No.
198240-41150	10	5
	32	3
22117-040000	14	60
	37	67
22117-060000	17	4
	40	4
22117-080000	14	86
	37	89
22137-080000	14	87
	37	68
22190-060002	14	72
	37	75
22190-080002	2	21
		22
	22	31
		32
22190-100002	14	73
	37	69
22190-120002	14	74
	37	4
22190-160002	3	11
	13	87
	23	9
	35	40
	36	85
22212-100000	12	26
	34	29
22217-050000	13	80
	35	85
	36	86
22217-060000	13	91
	35	91
	36	92
22217-080000	18	38
	41	34
22217-120000	8	14
	28	20
22252-000300	10	21
	32	19
22252-000320	32	33
22272-000060	14	61
	37	71
22287-120000	14	62
	37	72
22351-050010	13	81
	35	78
	36	79
22351-060012	5	26
	24	26
22360-060000	17	5

## Parts No. Index

Parts No.	Fig. No.	Ref. No.
22360-060000	40	5
22372-040000	14	63
	37	73
22372-080000	14	88
	37	90
22417-160180	14	89
	37	74
22512-070140	8	7
	9	4
	28	5
	29	6
22512-070160	9	6
	29	9
23000-060000	6	20
	26	21
23061-070230	12	5
	34	5
23414-080000	10	58
	21	11
	31	38
23414-100000	10	59
	31	39
23414-120000	15	50
	20	25
	38	56
23871-010000	1	6
	21	7
23871-030000	5	10
	21	12
	24	10
	26	3
23887-100002	14	64
	37	76
23980-730240	39	33
23980-730335	16	34
23980-730450	16	35
	39	34
23980-730500	16	36
23980-730600	39	35
24101-063034	13	82
	35	79
	36	80
24105-060064	8	20
	28	18
24311-000120	4	12
	20	26
	25	12
	43	25
24311-000140	30	19
24311-000160	2	12

Parts No.	Fig. No.	Ref. No.
24311-000160	10	50
	16	14
	20	27
	22	20
	31	29
	39	14
	43	26
24311-000320	2	13
	4	9
	20	28
	22	8
	25	9
	43	27
24311-240100	1	26
	14	65
	16	15
		29
	23	22
	37	77
	39	15
		29
24321-000650	16	16
	39	16
24341-000160	13	83
	35	80
	36	81
24341-000240	2	28
	20	29
	22	35
	43	28
24341-000500	4	10
	20	30
	25	10
	43	29
24421-153207	32	34
26014-060122	12	18
	34	22
26014-060252	33	24
26014-080162	31	22
26014-080252	19	19
	42	18
26016-080352	32	35
26022-030082	6	10
26022-050102	13	84
	14	66
	35	83
	36	82
	37	78
26022-060162	13	85
	35	84

Parts No.	Fig. No.	Ref. No.
26022-060162	36	83
26023-050102	14	93
	37	79
26106-060102	17	6
	40	6
26106-060162	2	29
	22	36
26106-060202	14	67
	37	94
26106-060252	14	68
	37	80
26106-060902	11	26
26106-080122	1	27
	2	14
		25
	3	7
	21	13
	22	21
		39
	23	10
		23
	34	8
26106-080142	16	37
	40	7
26106-080162	1	20
	2	15
		16
	4	11
	12	27
	17	7
	21	25
	22	22
		23
	25	11
	30	20
	34	30
26106-080202	10	51
	11	31
	31	30
	33	29
26106-080252	3	8
	5	39
	6	6
	7	13
	24	40
	27	14
26106-080302	3	16
	23	18
26106-080352	6	23
	10	44

Parts No.	Fig. No.	Ref. No.
26106-080352	26	4
		7
	31	23
26106-080452	2	17
	8	21
	22	24
	28	13
26106-080502	5	40
	23	11
	24	41
26106-080552	2	18
	11	16
	22	25
	33	18
26106-080602	11	17
	16	38
	27	7
	30	21
	33	19
	39	36
26106-080652	7	4
	27	8
	39	37
26106-080752	16	39
26106-080802	22	26
	30	22
26106-080852	2	19
	3	9
	22	27
26106-081002	23	12
26106-081152	7	5
	27	9
26106-081202	3	10
	10	22
	22	28
	23	13
26116-050302	13	86
	35	81
	36	84
26116-120202	18	36
	41	30
26206-100202	3	3
	23	3
26216-060202	5	11
	24	13
26216-080202	7	6
	22	29
	27	10
26216-080402	10	23
	22	30



## Parts No. Index

Parts No.	Fig. No.	Ref. No.
26226-080182	5	38
	24	38
26366-060002	5	22
	24	25
26366-080002	2	20
	14	69
	22	16
	37	81
26366-100002	19	16
	42	16
26450-060252	10	38
	31	15
26476-060142	6	4
26687-120002	14	82
	37	82
26716-060002	13	92
	35	92
	36	91
26716-100002	12	28
	34	31
26716-120002	8	15
	28	21
26756-060002	14	70
	37	83
26756-080002	18	39
	24	39
	41	33
26776-120002	14	71
	37	84
27225-100140	21	24
27231-500000	1	7
	21	8
27241-120000	1	8
	21	9
27241-220000	5	12
	24	11
27241-300000	1	9
	21	10
27241-400000	5	13
	24	12
27310-080001	5	18
	24	18
729102-53100	38	1 A
729105-22900	9	23
	29	26 A
729126-51360	13	1
	14	1
729126-92600	20	1
729132-11520	4	2
729156-22950	29	28 B

Parts No.	Fig. No.	Ref. No.
729157-01560	1	1
729157-22951	9	25
	29	28 A
729402-01650	3	13
	23	15
729402-11650	5	34
	24	34
	28	1
729402-14580	28	1
729402-22500	29	20 B
729402-22900	29	26 B
729402-23100	9	29
	29	32
729405-01560	21	1 A
729425-51360	35	1
	37	1
729425-92600	43	2
729428-11530	25	2
729429-01540	23	4
729429-51360	36	1
	37	2
729429-92600	43	1
729450-01560	21	1 B
729450-21700	29	1
729490-28510	30	4
729490-28520	30	9
729503-53100	15	1
	38	1 B
794275-41200	10	8
	32	6
977770-01212	20	32
	43	32
X0280210230	18	11
	41	7
X0280630011	41	2
X0281003760	41	3
X0282002140	41	4
X0283002081	41	6
X0283060061	18	2
	41	14
X0283270140	18	12
	41	8
X0283711410	41	15
X0283711420	41	16
X0283711770	41	9
X0283810040	41	10
X0285100640	41	17
X0289030010	18	3
X0534009490	41	18
X1284017300	41	19
X9080110060	41	22

Parts No.	Fig. No.	Ref. No.
X9490064720	41	23
X9490422860	41	24
X9490561370	18	4
	41	25
X9490721080	41	11
X9491002160	41	5
X9491200240	18	5
	41	26
X9491403680	41	27
X9491703371	18	13
	41	12
X9491703380	41	28
X9491704260	41	13
X9491730461	18	26
XM0690000000	19	8
	42	8
XM0817800000	19	9
	42	9
XM1787800000	19	10
	42	10
XM2192300000	19	3
	42	3
XM3298300000	19	4
	42	4
XM8602500000	19	5
	42	5
XM8637200000	19	6
	42	6
XYSPS400800	19	11
	42	11
XYSPS402400	19	12
	42	12

Parts No.	Fig. No.	Ref. No.
-----------	----------	----------