

0CB10-M54102EN

Contents

0CB10-M54102

Fig. No. Fig. Name

3TNE84-3CY

1. CYLINDER BLOCK
2. GEAR HOUSING
3. FLYWHEEL HOUSING & OIL SUMP
4. CYLINDER HEAD & BONNET
5. SUC. MANIFOLD & AIR CLEANER
6. EXH. MANIFOLD & SILENCER
7. CAMSHAFT & DRIVING GEAR
8. CRANKSHAFT & PISTON
9. LUB.OIL SYSTEM
10. COOLING WATER SYSTEM
11. FUEL INJECTION PUMP
12. GOVERNOR
13. FUEL INJECTION PIPE
14. FUEL PIPE
15. STARTING MOTOR
16. GENERATOR
17. GASKET SET(OPTIONAL) & TOOL

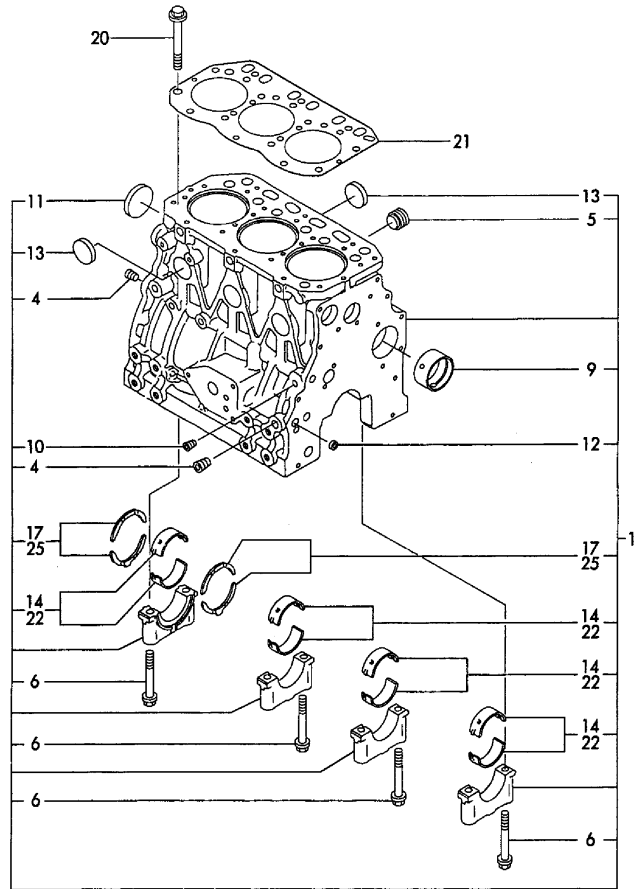
Fig. No. Fig. Name

Fig.1. CYLINDER BLOCK

(A)=3TNE84-3CY
(B)=
(C)=

(D)=
(E)=
(F)=

Fig. 1 シリンダブロック
CYLINDER BLOCK



No.	Lev.	Parts No.	Description	Q'ty						I	R
				(A)	(B)	(C)	(D)	(E)	(F)		
1	1	729002-01560	BLOCK ASSY, CYLINDER	1							
4	2	124160-01910	PLUG, PT1/4	3							
5	2	171051-01921	PLUG, NPTF1	1							
6	2	129150-02020	BOLT, METAL CAP	8							
9	2	129795-02411	BUSH, CAMSHAFT	1							
10	2	23871-010000	PLUG, R01	1							
11	2	27231-500000	PLUG 50	1							
12	2	27241-120000	PLUG, 12	2							
13	2	27241-300000	PLUG 30	6							
14	2	129001-02800	BEARING, MAIN	4							
17	2	129150-02930	BEARING, THRUST	2							
20	1	129150-01200	BOLT, HEAD	14							
21	1	129002-01331	GASKET, HEAD	1							A
22	1	129150-02870	BEARING, 0.25 US	4							1
25	1	129150-02940	BEARING, THRUST 0.25	2							2

Remarks

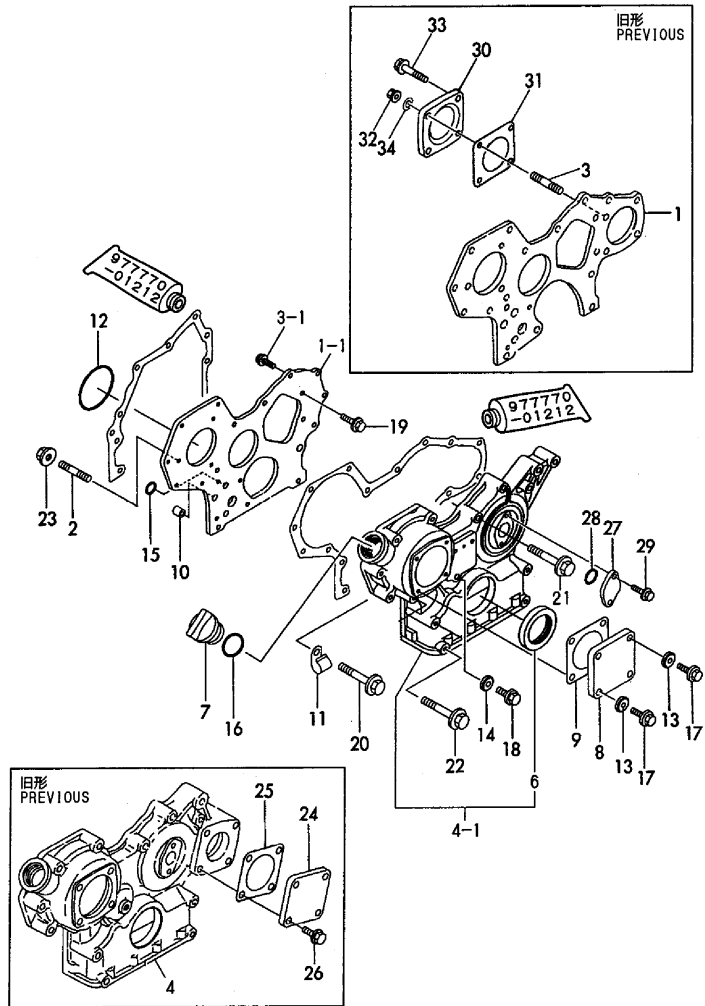
- (1) UNDER-SIZE(U.S=0.25)PART.
- (2) OVER-SIZE(O.S=0.25)PART.
- (A) THESE PART ARE ALSO SOLD BY FIG 17.REF NO.1 (GASKET SET.P/# 729002-92610).

Fig.2. GEAR HOUSING

(A)=3TNE84-3CY
(B)=
(C)=

(D)=
(E)=
(F)=

Fig.2 ギヤケース
GEAR HOUSING



No.	Lev.	Parts No.	Description	Q'ty						I	R
				(A)	(B)	(C)	(D)	(E)	(F)		
1	1	129100-01520	FLANGE, GEAR CASE	1							
1-1	1	129400-01520	FLANGE, GEAR CASE	1							S
(A=E/# 37100)											
2	1	121450-01560	STUD, M8X22	3							
3	1	129150-01580	STUD, M8X30	1							
3-1	1	26106-080202	BOLT, M8X 20 PLATED	2							S
(A=E/# 37100)											
4	1	129100-01590	CASE ASSY, GEAR	1							
4-1	1	719810-01500	CASE ASSY, GEAR	1							S
(A=E/# 37100)											
6	2	129795-01800	SEAL, OIL	1							
7	1	124160-01751	COVER, FILLER	1							
8	1	124240-01871	COVER	1							
9	1	124240-01883	GASKET	1							A
10	1	129795-01950	PIPE, KNOCK L=18	2							
11	1	129150-03100	RETAINER, PIPE	1							
12	1	121850-51960	O-RING	1							A
13	1	22190-080002	WASHER, SEAL 6	4							A
14	1	22190-080002	WASHER, SEAL 6	1							A
15	1	24311-000160	O-RING, 1AP16.0	2							A
16	1	24311-000320	O-RING, 1AP32.0	1							A
17	1	26106-080122	BOLT, M8X 12 PLATED	4							
18	1	26106-080162	BOLT, M8X 16 PLATED	1							
19	1	26106-080162	BOLT, M8X 16 PLATED	3							
20	1	26106-080452	BOLT, M8X 45 PLATED	6							
21	1	26106-080552	BOLT, M8X 55 PLATED	3							
22	1	26106-080852	BOLT, M8X 85 PLATED	4							
23	1	26366-080002	NUT, M8	3							
24	1	124240-01871	COVER	1							Z
(A=E/# 37100)											
25	1	124240-01883	GASKET	1							Z
(A=E/# 37100)											
26	1	26106-080122	BOLT, M8X 12 PLATED	4							Z
(A=E/# 37100)											
27	1	121023-01550	COVER	1							
28	1	24341-000240	O-RING, 1AS24.0	1							A
29	1	26106-060122	BOLT, M6X 12 PLATED	2							
30	1	129150-01870	COVER	1							Z
(A=E/# 37100)											
31	1	129150-01881	GASKET	1							Z
(A=E/# 37100)											
32	1	194990-22050	NUT, M8	1							Z
(A=E/# 37100)											
33	1	26106-080182	BOLT, M8X 18 PLATED	3							Z
(A=E/# 37100)											
34	1	22190-080002	WASHER, SEAL 6	1							Z
(A=E/# 37100)											

Remarks
(A) THESE PART ARE ALSO SOLD BY
FIG 17.REF NO.1
(GASKET SET.P/# 729002-92610).

Fig.3. FLYWHEEL HOUSING & OIL SUMP

(A)=3TNE84-3CY

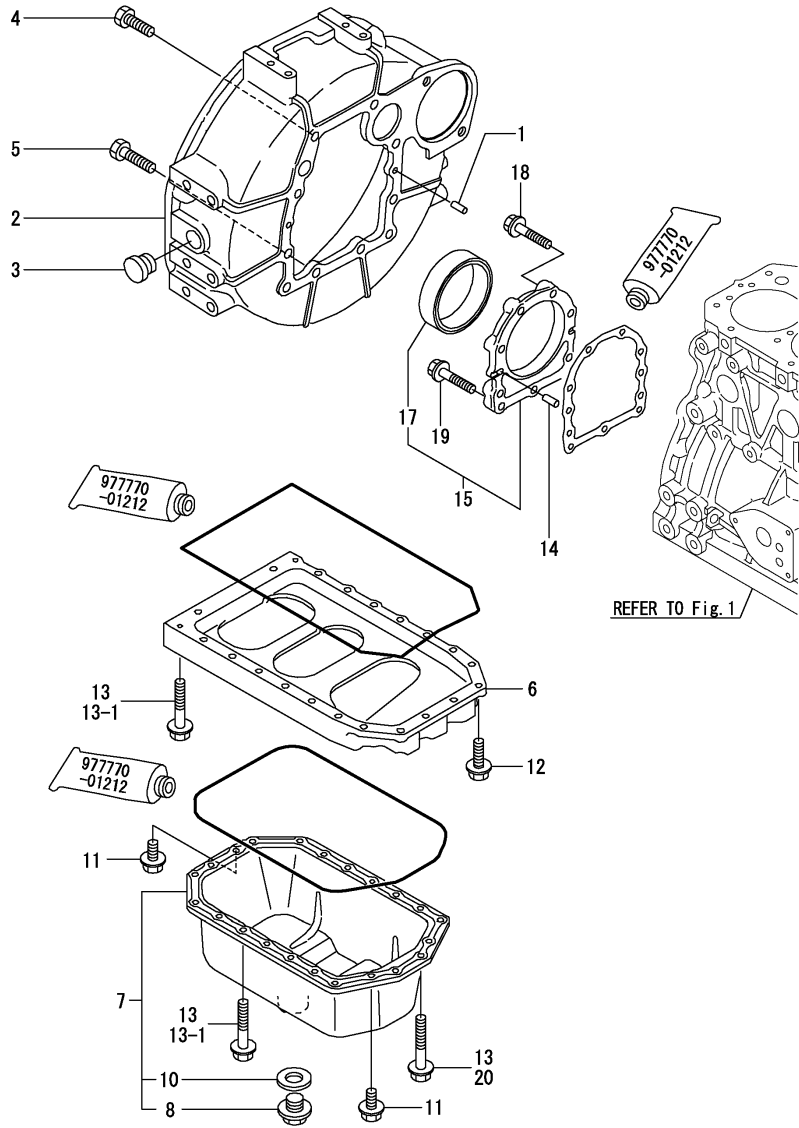
(B)=

(C)=

(D)=

(E)=

(F)=



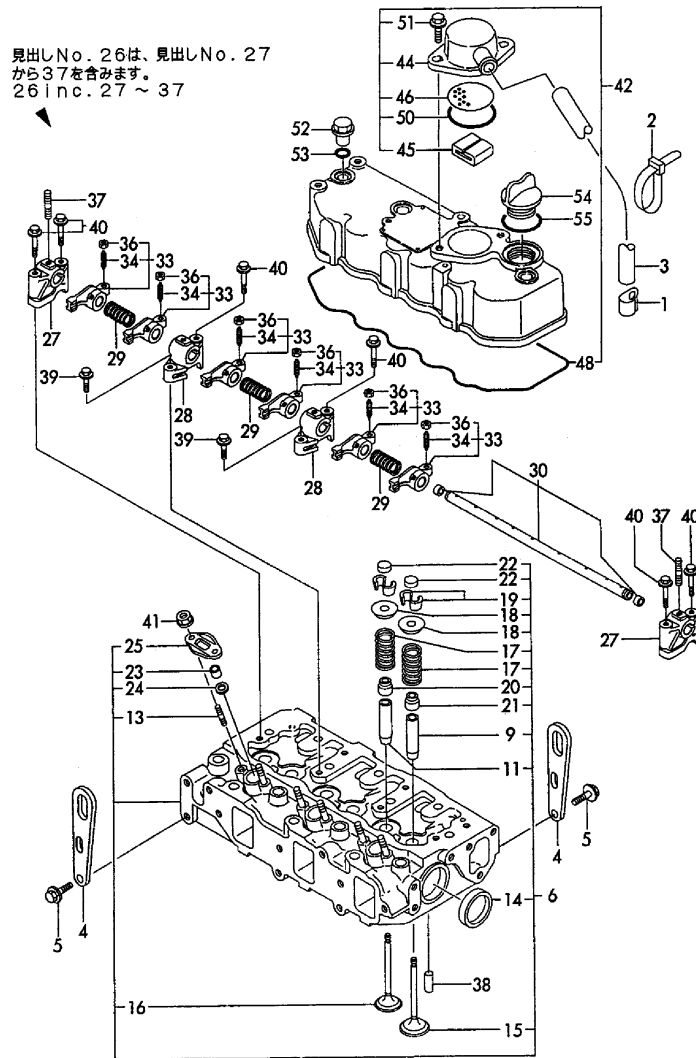
No.	Lev.	Parts No.	Description	Q'ty						I	R
				(A)	(B)	(C)	(D)	(E)	(F)		
1	1	129100-01580	PIN, M8X16	2							
2	1	171301-01600	HOUSING, FLYWHEEL	1							
2-1	1	129612-01600	HOUSING, FLYWHEEL	1							R
(A=E/# 35829)											
3	1	119620-01750	CAP	1							
4	1	26206-100252	BOLT, M10X 25 PLATED	6							
5	1	26206-100302	BOLT, M10X 30 PLATED	4							
6	1	129100-01730	SPACER, OIL SUMP	1							
7	1	129136-01780	SUMP ASSY, OIL	1							
8	2	119640-01640	PLUG, DRAIN M22	1							
10	2	22190-220002	WASHER, SEAL 22	1							
11	1	26106-080162	BOLT, M8X 16 PLATED	4							
12	1	26106-080252	BOLT, M8X 25 PLATED	2							
13	1	26106-080452	BOLT, M8X 45 PLATED	20							
13-1	1	26106-080452	BOLT, M8X 45 PLATED	16							K
(A=FROM 1ST)											
14	1	129100-01580	PIN, M8X16	2							
15	1	129100-01640	CASE ASSY, OIL SEAL	1							
17	2	129795-01780	SEAL, OIL	1							
18	1	26106-080302	BOLT, M8X 30 PLATED	6							
18-1	1	129486-01670	BOLT, M8X30	6							R
(A=E/#14684)											
19	1	26106-080352	BOLT, M8X 35 PLATED	3							
20	1	26106-080502	BOLT, M8X 50 PLATED	4							W
(A=FROM 1ST)											

Fig.4. CYLINDER HEAD & BONNET

(A)=3TNE84-3CY
(B)=
(C)=

(D)=
(E)=
(F)=

Fig.4 シリンダヘッド&ボンネット
CYLINDER HEAD & BONNET



No.	Lev.	Parts No.	Description	Qty						I	R
				(A)	(B)	(C)	(D)	(E)	(F)		
1	1	129150-03100	RETAINER, PIPE	1							
2	1	121750-59890	BAND, 140	1							
3	1	23065-160800	PIPE, 16X 800	1							
4	1	124736-07900	LIFTER	2							
5	1	26106-080142	BOLT, M8X 14 PLATED	4							
6	1	129001-11700	HEAD ASSY, CYLINDER	1							
9	2	120130-11860	GUIDE, VALVE	3							1
11	2	129150-11810	GUIDE, VALVE	3							1
13	2	26216-060202	STUD, M6X 20	6							
14	2	27241-400000	PLUG, 40	2							
15	2	129100-11100	VALVE, INTAKE	3							
16	2	129100-11110	VALVE, EXHAUST	3							
17	2	129795-11120	SPRING, VALVE	6							
18	2	129795-11180	RETAINER, SPRING	6							
19	2	27310-080001	COTTER, 8	6							
20	2	121400-11340	SEAL, VALVE STEM	3							A
21	2	124460-11340	SEAL, VALVE STEM	3							A
22	2	129150-11370	CAP, VALVE	6							
23	2	119625-11871	PROTECTOR, NOZZLE	3							A
23-1	2	119625-11870	PROTECTOR, NOZZLE	3							N A
(A=E/# 37100)											
24	2	119625-11880	SEAT, NOZZLE	3							A
25	2	119625-11900	RETAINER, NOZZLE	3							
26	1	129155-11241	SHAFT ASSY, ROCKER	1							
27	2	129155-11260	SUPPORT, ROCKER ARM	2							
28	2	129155-11270	SUPPORT, ROCKER ARM	2							
29	2	129150-11280	SPRING	3							
30	2	129150-11290	SHAFT, ROCKER ARM	1							
33	2	729402-11650	ARM ASSY, ROCKER	6							
34	3	129150-11230	SCREW, VALVE ADJUST	6							
36	3	129150-11750	NUT, M8	6							
37	2	26226-080182	STUD, M8X 18	3							
38	1	22351-060012	PIN, SPRING 6.0X12	2							
39	1	26106-080252	BOLT, M8X 25 PLATED	2							
40	1	26106-080502	BOLT, M8X 50 PLATED	6							
41	1	26366-060002	NUT, M6	6							
42	1	129100-11350	BONNET ASSY, HEAD	1							
44	2	129150-03020	COVER, BREATHER	1							
45	2	129150-03070	BAFFLE, BREATHER	1							
46	2	129150-03080	PLATE, BAFFLE	1							
48	2	129150-11310	GASKET, BONNET	1							A
50	2	24341-000500	O-RING, 1AS50.0	1							A
51	2	26106-080162	BOLT, M8X 16 PLATED	2							
52	1	124160-11360	KNOB	3							
53	1	24311-000120	O-RING, 1AP12.0	3							A
54	1	124160-01751	COVER, FILLER	1							
55	1	24311-000320	O-RING, 1AP32.0	1							

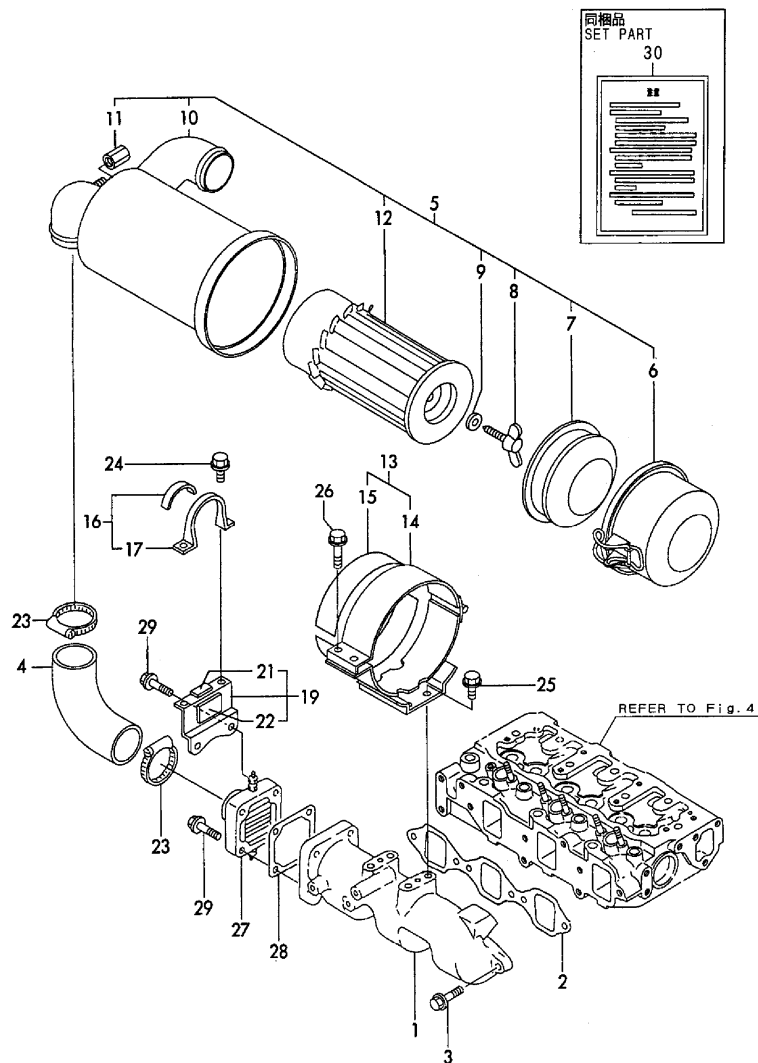
Remarks
(1) REPAIR PART.
(A) THESE PART ARE ALSO SOLD BY
FIG 17.REF NO.1
(GASKET SET.P/# 729002-92610).

Fig.5. SUC. MANIFOLD & AIR CLEANER

(A)=3TNE84-3CY
(B)=
(C)=

(D)=
(E)=
(F)=

Fig.5 吸気マニホールド&エアクリーナ
SUC. MANIFOLD & AIR CLEANER



No.	Lev.	Parts No.	Description	Qty						I	R
				(A)	(B)	(C)	(D)	(E)	(F)		
1	1	129122-12100	MANIFOLD, AIR INTAKE	1							
2	1	129150-12111	GASKET, MANIFOLD	1							A
3	1	26106-080252	BOLT, M8X 25 PLATED	4							
4	1	119840-12210	PIPE, AIR INTAKE	1							
5	1	129136-12510	CLEANER ASSY, AIR	1							
6	2	129136-12530	PAN, DUST	1							
7	2	121120-12541	RETAINER, ELEMENT	1							
8	2	121120-12561	BOLT	1							
9	2	121120-12571	WASHER, SEAL	1							
10	2	129136-12590	CASE ASSY	1							
11	2	119640-12610	CAP	1							
12	2	121120-12901	ELEMENT	1							
13	1	129132-12581	SUPPORT ASSY,CLEANER	1							
14	2	129132-12561	SUPPORT, AIR CLEANER	1							
15	2	129132-12570	SEAT, RUBBER	2							
16	1	129132-12800	BAND, AIR CLEANER	1							
17	2	129132-12850	CLAMP	1							
19	1	129132-12810	SUPPORT, AIR CLEANER	1							
21	2	129132-12890	SEAT, RUBBER	1							
22	2	129132-12900	DAMPER	1							
23	1	23000-060000	CLAMP, 60	2							
24	1	26106-060142	BOLT, M6X 14 PLATED	2							
25	1	26106-080142	BOLT, M8X 14 PLATED	4							
26	1	26106-080252	BOLT, M8X 25 PLATED	2							
27	1	129120-77501	HEATER	1							
28	1	129150-77511	GASKET	1							A
29	1	26106-080352	BOLT, M8X 35 PLATED	4							
30	1	129136-12610	LABEL	1							

Remarks

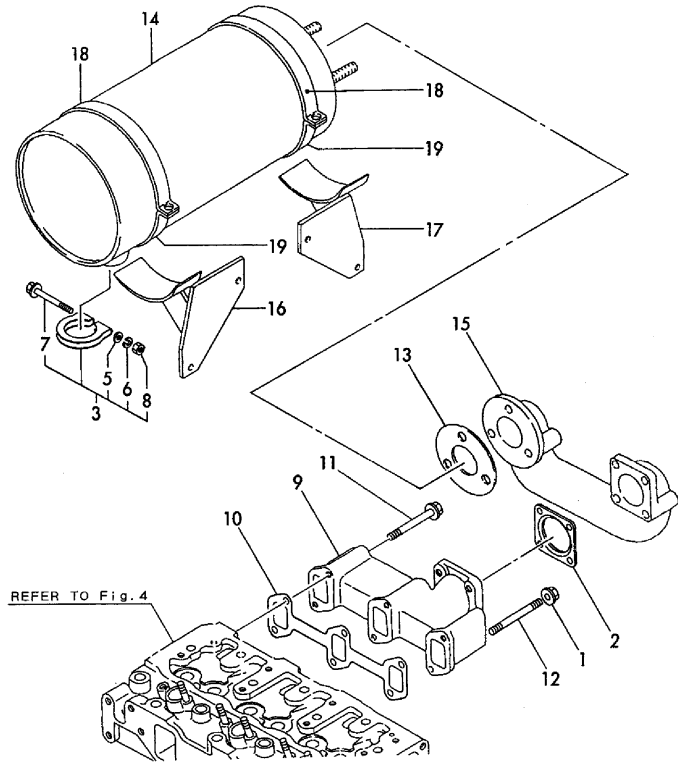
(A) THESE PART ARE ALSO SOLD BY
FIG 17.REF NO.1
(GASKET SET.P/# 729002-92610).

Fig.6. EXH. MANIFOLD & SILENCER

(A)=3TNE84-3CY
(B)=
(C)=

(D)=
(E)=
(F)=

Fig.6 排気マニホールド&サイレンサ
EXH. MANIFOLD & SILENCER



No.	Lev.	Parts No.	Description	Q'ty						I	R
				(A)	(B)	(C)	(D)	(E)	(F)		
1	1	194990-22050	NUT, M8	2							
2	1	124701-11911	GASKET, SILENCER	1							A
3	1	121120-13590	CLAMP	1							
5	2	22137-100000	WASHER, 10	1							
6	2	22217-100000	WASHER, SPRING 10	1							
7	2	26106-100652	BOLT, M10X 65 PLATED	1							
8	2	26706-100002	NUT, M10	1							
9	1	129100-13110	MANIFOLD, EXHAUST	1							
10	1	129150-13110	GASKET	1							A
11	1	26106-080802	BOLT, M8X 80 PLATED	4							
12	1	26216-080802	STUD, M8X 80	2							
13	1	103954-13201	GASKET, SILENCER	1							
14	1	129136-13530	SILENCER	1							
15	1	129130-13560	PIPE	1							
16	1	129130-13650	SUPPORT	1							
17	1	129130-13660	SUPPORT	1							
18	1	129111-13670	BAND, SILENCER	2							
19	1	129111-13680	BAND, SILENCER	2							

Remarks

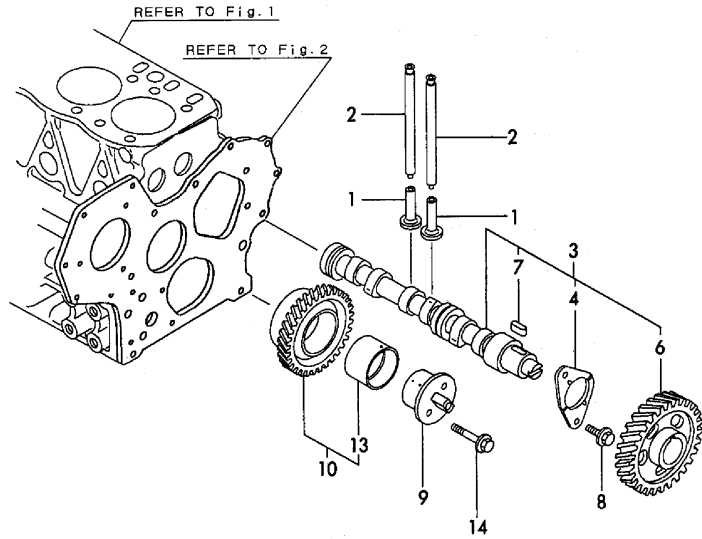
(A) THESE PART ARE ALSO SOLD BY
FIG 17.REF NO.1
(GASKET SET.P/# 729002-92610).

Fig.7. CAMSHAFT & DRIVING GEAR

(A)=3TNE84-3CY
(B)=
(C)=

(D)=
(E)=
(F)=

Fig.7 カムシャフト&駆動ギヤ
CAMSHAFT & DRIVING GEAR



No.	Lev.	Parts No.	Description	Q'ty						I	R
				(A)	(B)	(C)	(D)	(E)	(F)		
1	1	129150-14200	TAPPET	6							
2	1	129150-14400	ROD, PUSH L=178	6							
3	1	129129-14580	CAMSHAFT ASSY	1							
4	2	129150-02450	BEARING, THRUST	1							
6	2	129150-14101	GEAR, CAMSHAFT	1							
7	2	22512-070140	KEY, 7X 14	1							
8	1	26106-080162	BOLT, M8X 16 PLATED	2							
8-1	1	26106-080142	BOLT, M8X 14 PLATED	2							N
(A=E/#14262)											
9	1	129100-25061	SHAFT, IDLE	1							
10	1	129150-25101	GEAR ASSY, IDLE	1							
13	2	129150-25920	BUSH, IDLE GEAR	1							1
14	1	26106-080452	BOLT, M8X 45 PLATED	2							

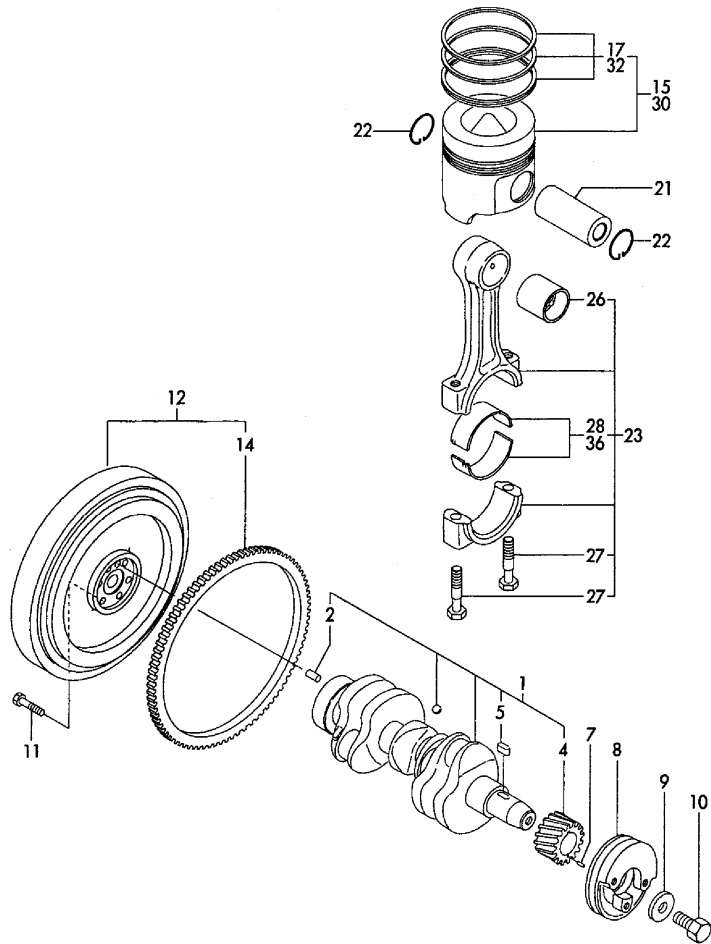
Remarks
(1) REPAIR PART.

Fig.8. CRANKSHAFT & PISTON

(A)=3TNE84-3CY
(B)=
(C)=

(D)=
(E)=
(F)=

Fig.8 クランクシャフト&ピストン
CRANKSHAFT & PISTON



No.	Lev.	Parts No.	Description	Q'ty						I	R
				(A)	(B)	(C)	(D)	(E)	(F)		
1	1	129001-21000	CRANKSHAFT ASSY	1							
2	2	129100-01580	PIN, M8X16	1							
4	2	129150-21200	GEAR, CRANKSHAFT	1							
5	2	22512-070140	KEY, 7X 14	1							
7	1	22351-040010	PIN, SPRING 4.0X10	1							
8	1	171340-21650	V-PULLEY	1							
9	1	129795-21661	WASHER	1							
10	1	121850-21680	BOLT	1							
11	1	121111-21501	BOLT, FLYWHEEL	6							
12	1	129128-21590	FLYWHEEL ASSY	1							
14	2	119865-21600	GEAR, RING	1							
15	1	129002-22081	PISTON ASSY	3							
17	2	129002-22500	RING SET, PISTON	3							
21	1	129202-22300	PIN, PISTON D26 L70	3							
22	1	22252-000260	RING, 26	6							
23	1	729402-23100	ROD ASSY, CONNECTING	3							
26	2	129100-23910	BEARING, PISTON PIN	3							1
27	2	121550-23200	BOLT, CONNECTING ROD	6							
28	2	129150-23600	BEARING, CRANK PIN	3							
30	1	129002-22900	PISTON ASSY, 0.25 OS	3							2
32	2	129002-22950	RING SET, 0.25 OS	3							2
36	1	129150-23610	BEARING, 0.25 US	3							3

Remarks

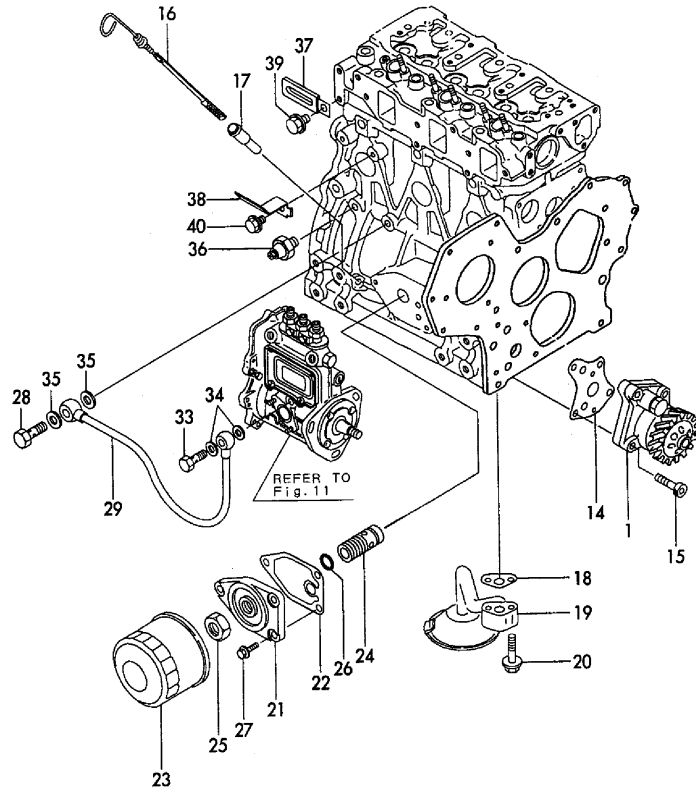
- (1) REPAIR PART.
- (2) OVER-SIZE(O.S=0.25)PART.
- (3) UNDER-SIZE(U.S=0.25)PART.

Fig.9. LUB.OIL SYSTEM

(A)=3TNE84-3CY
(B)=
(C)=

(D)=
(E)=
(F)=

Fig.9 潤滑油システム
LUB.OIL SYSTEM



No.	Lev.	Parts No.	Description	Q'ty						I	R
				(A)	(B)	(C)	(D)	(E)	(F)		
1	1	129001-32001	PUMP ASSY, OIL	1							
14	1	129150-32020	GASKET, PUMP	1							A
15	1	26450-060252	BOLT, M6X 25	4							
16	1	129136-34800	DIPSTICK, OIL	1							
17	1	121520-34810	GUIDE, DIPSTICK	1							
18	1	129150-35041	GASKET	1							A
19	1	129100-35301	PIPE ASSY, OIL INLET	1							
20	1	26106-080352	BOLT, M8X 35 PLATED	2							
21	1	129150-35101	BRACKET, STRAINER	1							
22	1	129150-35111	GASKET	1							A
23	1	129150-35151	FILTER, D80XL80	1							
24	1	129001-35300	BOLT, FILTER	1							
25	1	129150-35350	NUT	1							
26	1	24311-000160	O-RING, 1AP16.0	1							
27	1	26106-080202	BOLT, M8X 20 PLATED	3							
28	1	124160-39140	BOLT, PIPE JOINT M10	1							
29	1	129150-39450	PIPE ASSY, OIL	1							
33	1	124550-59820	BOLT, PIPE JOINT M8	1							
34	1	23414-080000	GASKET, 8X1.0	2							A
35	1	23414-100000	GASKET, 10X1.0	2							A
36	1	121252-39450	SWITCH, 0.5KG	1							
37	1	194440-51620	CLAMP	1							
38	1	129136-66852	SUPPORT	1							
39	1	26106-080122	BOLT, M8X 12 PLATED	1							
40	1	26106-080122	BOLT, M8X 12 PLATED	1							

Remarks

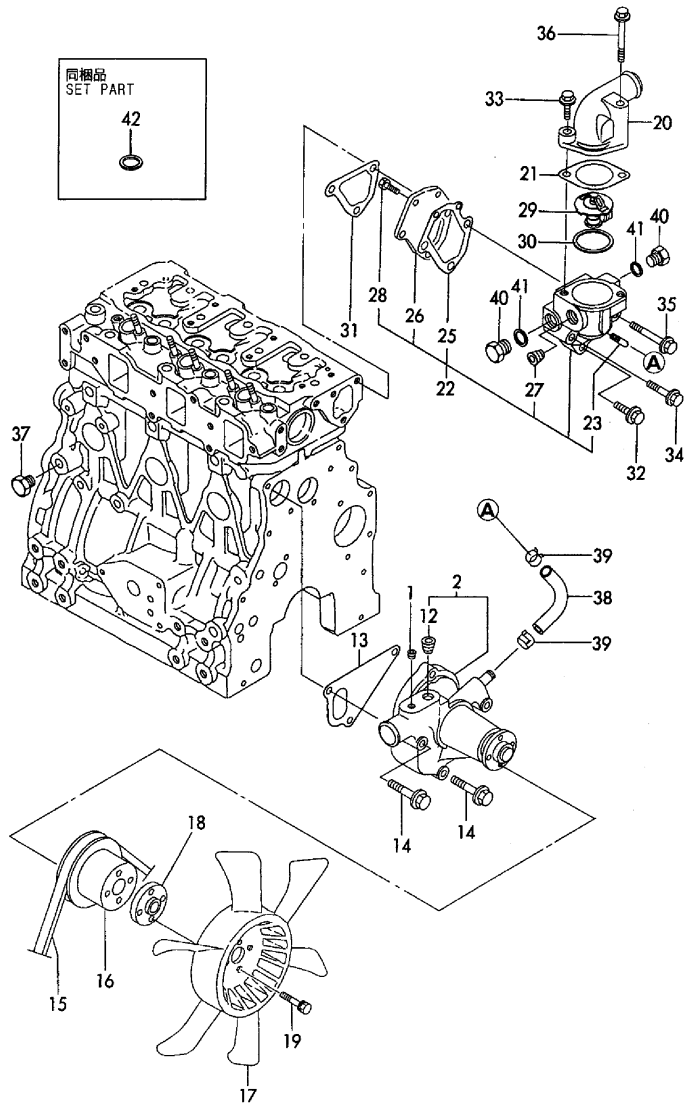
(A) THESE PART ARE ALSO SOLD BY
FIG 17.REF NO.1
(GASKET SET.P/# 729002-92610).

Fig.10. COOLING WATER SYSTEM

(A)=3TNE84-3CY
(B)=
(C)=

(D)=
(E)=
(F)=

Fig. 10 冷却水システム
COOLING WATER SYSTEM



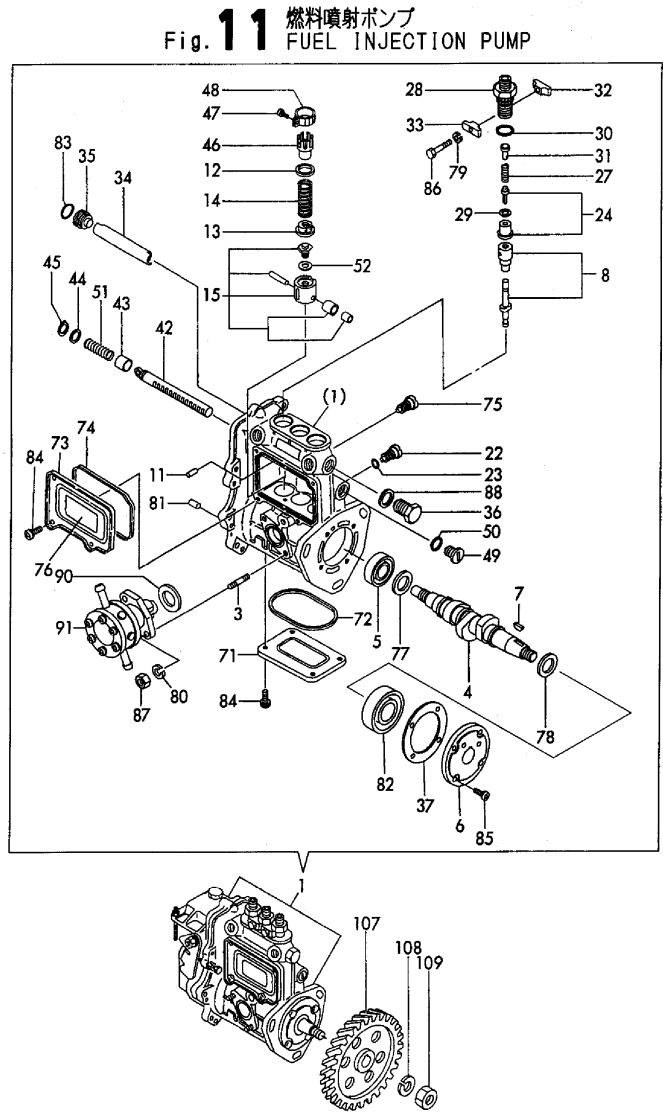
No.	Lev.	Parts No.	Description	Q'ty						I	R
				(A)	(B)	(C)	(D)	(E)	(F)		
1	1	121850-11860	PLUG, PT1/4	1							
2	1	129100-42002	PUMP ASSY, WATER	1							
2-1	1	129100-42003	PUMP ASSY, WATER	1							N
(A=E/#14684)											
12	2	23871-030000	PLUG, R03	1							
13	1	129100-42020	GASKET, WATER PUMP	1							A
14	1	26106-080602	BOLT, M8X 60 PLATED	3							
15	1	25132-003700	V-BELT, A37	1							
15-1	1	25132-003800	V-BELT, A38	1							S
(A=E/# 37100)											
16	1	129120-42350	V-PULLEY, 130	1							
17	1	171440-44740	FAN, COOLING D350XQF	1							
18	1	124574-44761	SPACER, FAN	1							
19	1	26014-060252	BOLT, M6X 25	4							
20	1	124101-49530	COVER, THERMOSTAT	1							
21	1	129795-49551	GASKET	1							A
22	1	129100-49800	CASE ASSY, THERMOSTAT	1							
23	2	124770-11770	JOINT, PIPE PT1/8	1							
25	2	129100-49820	GASKET	1							
26	2	129100-49830	COVER, THERMOSTAT	1							
27	2	23871-030000	PLUG, R03	1							
28	2	26116-060162	BOLT, M6X 16 PLATED	2							
29	1	129155-49800	THERMOSTAT, 71	1							
30	1	129150-49811	GASKET, THERMOSTAT	1							A
31	1	129100-49840	GASKET	1							A
32	1	26106-080252	BOLT, M8X 25 PLATED	1							
33	1	26106-080252	BOLT, M8X 25 PLATED	1							
34	1	26106-080502	BOLT, M8X 50 PLATED	1							
35	1	26106-080602	BOLT, M8X 60 PLATED	1							
36	1	26106-080652	BOLT, M8X 65 PLATED	1							
37	1	171056-49120	PLUG, DRAIN	1							
38	1	129132-49050	PIPE, WATER	1							
39	1	23000-016000	CLAMP, 16	2							
40	1	121450-42450	PLUG, M16	2							
41	1	124465-44950	GASKET, 16	2							A
42	1	129150-49360	GASKET	1							

Remarks
(A) THESE PART ARE ALSO SOLD BY
FIG 17.REF NO.1
(GASKET SET.P/# 729002-92610).

Fig.11. FUEL INJECTION PUMP

(A)=3TNE84-3CY
(B)=
(C)=

(D)=
(E)=
(F)=



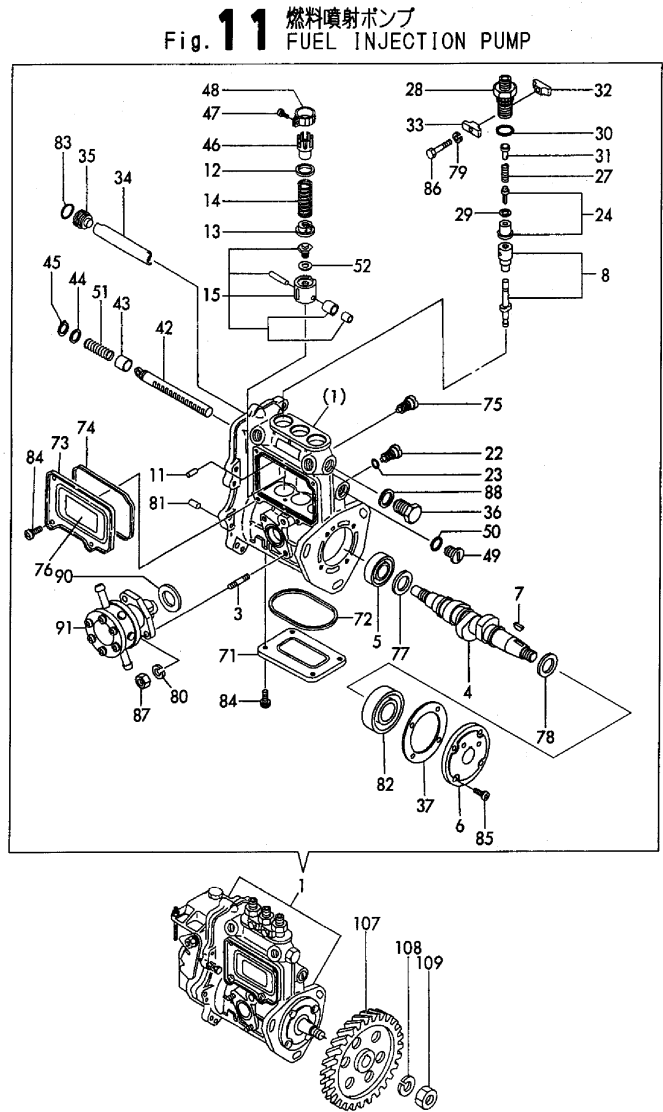
No.	Lev.	Parts No.	Description	Q'ty						I	R
				(A)	(B)	(C)	(D)	(E)	(F)		
1	1	729212-51380	PUMP ASSY, INJECTION	1							1
3	2	129155-51020	STUD	2							
4	2	129211-51040	CAMSHAFT	1							
5	2	129155-51050	BEARING, 17BM001D	1							
6	2	129155-51060	SUPPORT, CAMSHAFT	1							
7	2	122710-51090	KEY	1							
8	2	129506-51100	PLUNGER ASSY	3							
11	2	129155-51140	PIN	3							
12	2	174307-51170	RETAINER, SPRING A	3							
13	2	129155-51180	RETAINER, SPRING	3							
14	2	124950-51190	SPRING, PLUNGER	3							
15	2	129155-51200	TAPPET ASSY	3							
22	2	129155-51270	STOPPER, TAPPET	3							
23	2	129155-51280	O-RING, S6	3							
24	2	129505-51300	VALVE ASSY, DELIVERY	3							
27	2	129155-51320	SPRING, DELIVERY	3							
28	2	129155-51340	RETAINER	3							
29	2	124550-51350	GASKET, DELIVERY	3							
30	2	124550-51370	O-RING	3							
31	2	129155-51370	STOPPER, VALVE	3							
32	2	129155-51380	STOPPER	2							
33	2	129155-51390	STOPPER	2							
34	2	129155-51400	DEFLECTOR	1							
35	2	129155-51410	BOLT	1							
36	2	129155-51420	PLUG, M16	1							
37	2	129155-51450	SHIM SET, ADJUSTING	1							
42	2	129155-51500	RACK, CONTROL	1							
43	2	129155-51521	BUSH, RACK	1							
44	2	129155-51530	SPACER	1							
45	2	129155-51540	CIRCLIP	1							
46	2	129155-51550	PINION, CONTROL	3							
47	2	122117-51560	SCREW	3							
48	2	174307-51560	PINION	3							
49	2	129155-51570	PLUG, M12	1							
50	2	129155-51580	O-RING	1							
51	2	129155-51591	SPRING, RACK	1							
52	2	129155-51600	SHIM SET, ADJUSTING	3							
71	2	129155-51700	COVER	1							
72	2	129155-51710	GASKET	1							
73	2	129155-51750	COVER	1							
74	2	129155-51760	GASKET	1							
75	2	129155-51790	STOOPER, RACK	1							
76	2	129156-51910	LABEL, CAUTION	1							
77	2	129155-51930	SPACER, T=3.25	1							
78	2	129155-51940	SPACER, T=1.5	1							
79	2	22217-050000	WASHER, SPRING 5	2							
80	2	22217-060000	WASHER, SPRING 6	2							
81	2	22351-050010	PIN, SPRING 5.0X10	2							
82	2	24101-063034	BEARING, BALL 6303	1							
83	2	24341-000160	O-RING, 1AS16.0	1							
84	2	26022-050102	SCREW, M5X10	8							

Remarks
(1) GOVERNOR ASSY(FIG.12) IS INCORPORATED IN THIS FOP.CMP (REF.NO.1).
(A) THESE PART ARE ALSO SOLD BY FIG 17.REF NO.1 (GASKET SET.P/# 729002-92610).

Fig.11. FUEL INJECTION PUMP

(A)=3TNE84-3CY
(B)=
(C)=

(D)=
(E)=
(F)=



No.	Lev.	Parts No.	Description	Q'ty						I	R
				(A)	(B)	(C)	(D)	(E)	(F)		
85	2	26022-060162	SCREW, M6X16	4							
86	2	26116-050302	BOLT, M5X 30 PLATED	2							
87	2	26716-060002	NUT, M6	2							
88	2	22190-160002	WASHER, SEAL 16	1							
90	2	129155-52050	GASKET	1							A
91	2	129100-52100	PUMP ASSY, FUEL FEED	1							
107	1	129150-25900	GEAR, PUMP	1							
108	1	22217-120000	WASHER, SPRING 12	1							
109	1	26716-120002	NUT, M12	1							

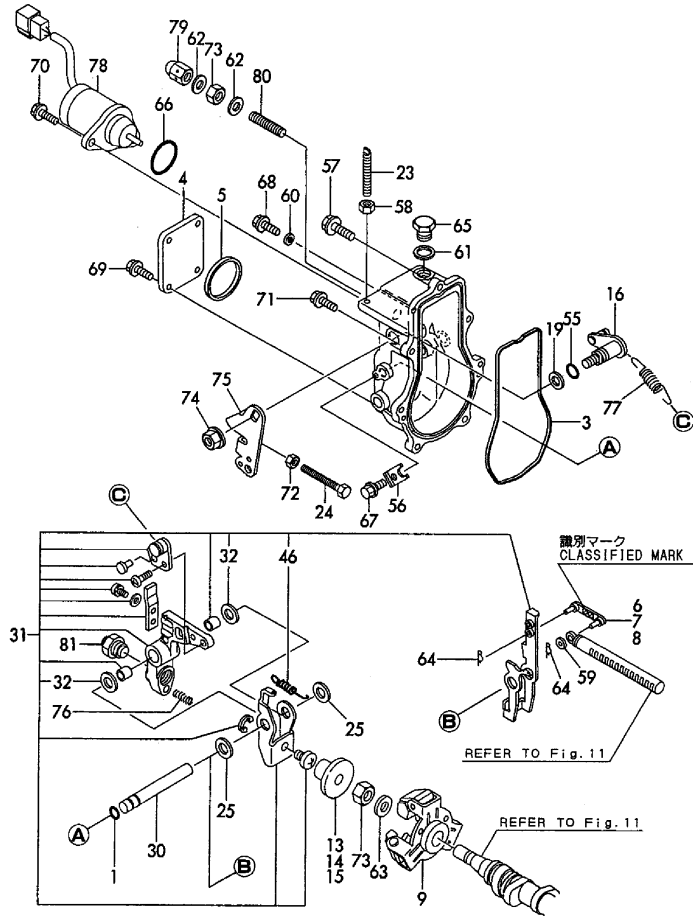
Remarks
 (1) GOVERNOR ASSY(FIG.12) IS INCORPORATED IN THIS FOP.CMP (REF.NO.1).
 (A) THESE PART ARE ALSO SOLD BY FIG 17.REF NO.1 (GASKET SET.P/# 729002-92610).

Fig.12. GOVERNOR

(A)=3TNE84-3CY
(B)=
(C)=

(D)=
(E)=
(F)=

Fig. 12 ガバナ GOVERNOR



No.	Lev.	Parts No.	Description	Q'ty						I	R
				(A)	(B)	(C)	(D)	(E)	(F)		
1	2	129155-51280	O-RING, S6	1							
3	2	129052-61050	GASKET	1							
4	2	129052-61060	COVER, GOVERNOR CASE	1							
5	2	129052-61070	GASKET	1							
6	2	129155-61120	LINK, L=30 MARK 0	1							1
7	2	129155-61130	LINK, L=31 MARK 1	1							1
8	2	129155-61140	LINK, L=30.5 MARK 05	1							1
9	2	129155-61201	WEIGHT ASSY,GOVERNOR	1							
13	2	129155-61341	SLEEVE	1							2
14	2	129155-61350	SLEEVE, L=24.9	1							2
15	2	129155-61360	SLEEVE, L=25.2	1							2
16	2	129100-61400	SHAFT ASSY	1							
19	2	129155-61430	SPACER	1							
23	2	129155-61450	BOLT, LIMITER	1							
24	2	129155-61460	BOLT, IDLE	1							
25	2	129155-61480	SPACER ASSY	2							
30	2	129052-61390	SHAFT	1							
31	2	129052-61500	LEVER ASSY, GOVERNOR	1							
32	3	174307-51700	SHIM SET	2							
46	3	129052-61540	SPRING, SET	1							
55	2	129155-61830	O-RING, S10	1							
56	2	119660-61901	RETAINER, SHAFT	1							
57	2	129155-61950	BOLT	1							
58	2	124550-66370	NUT, M6	1							
59	2	22117-040000	WASHER, 4	1							
60	2	22190-060002	WASHER, SEAL 6	1							
61	2	22190-100002	WASHER, SEAL 10	1							
62	2	22190-120002	WASHER, SEAL 12	2							
63	2	22287-120000	WASHER, 12	1							
64	2	22372-040000	PIN, SNAP 4	2							
65	2	23887-100002	PLUG, 10	1							
66	2	24341-000280	O-RING, 1AS28.0	1							
67	2	26106-060102	BOLT, M6X 10 PLATED	1							
68	2	26106-060102	BOLT, M6X 10 PLATED	1							
69	2	26106-060102	BOLT, M6X 10 PLATED	4							
70	2	26106-060142	BOLT, M6X 14 PLATED	2							
71	2	26106-060202	BOLT, M6X 20 PLATED	6							
72	2	26756-060002	NUT, LOCK M6	1							
73	2	26776-120002	NUT, LOCK M12	2							
74	2	26366-080002	NUT, M8	1							
75	2	129100-61440	LEVER, CONTROL	1							
76	2	129100-61650	SPRING, CONTROLLER	1							
77	2	171353-61710	SPRING, GOVERNOR	1							
78	2	119233-77930	SOLENOID, STOP	1							
78-1	2	119233-77931	SOLENOID, STOP	1							N
(A)=E/#15625)											
79	2	26687-120002	NUT, CAP M12	1							
80	2	129155-61470	BOLT, CONTROL	1							
81	2	171353-61550	ANGLEICH ASSY	1							

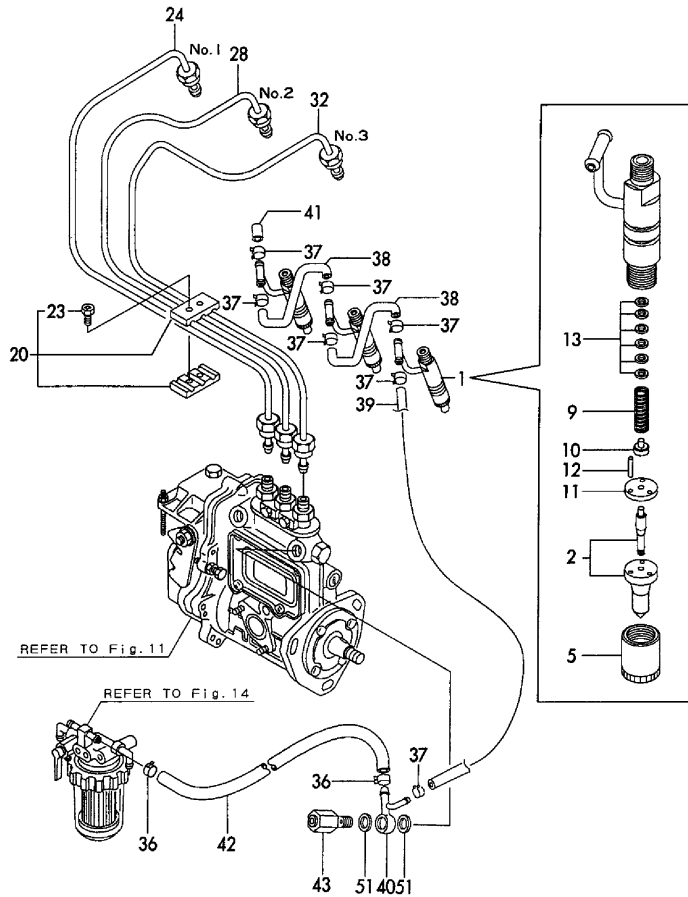
Remarks
(1) SELECTIVE PARTS: CERTAIN THE CLASSIFICATION MARK, THEN PLACE YOUR ORDER.(REFER TO ILLUSTRATION).
(2) SELECTIVE PARTS.

Fig.13. FUEL INJECTION PIPE

(A)=3TNE84-3CY
(B)=
(C)=

(D)=
(E)=
(F)=

Fig. 13 燃料噴射パイプ
FUEL INJECTION PIPE



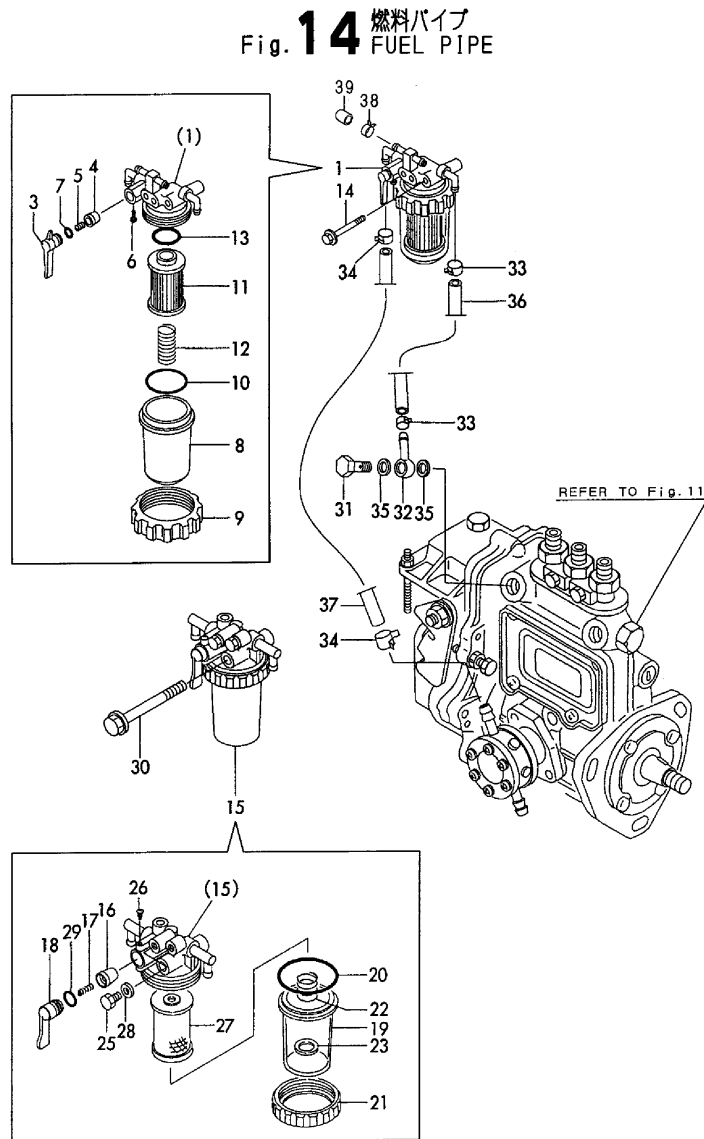
No.	Lev.	Parts No.	Description	Qty						I	R
				(A)	(B)	(C)	(D)	(E)	(F)		
1	1	729503-53100	VALVE ASSY,INJECTION	3							
2	2	129503-53000	VALVE ASSY,INJECTION	3							
5	2	114250-53080	NUT, NOZZLE D16.95	3							
9	2	114250-53120	SPRING, NOZZLE	3							
10	2	114250-53130	SEAT, SPRING	3							
11	2	114250-53140	PLATE	3							
12	2	114250-53210	PIN	6							
13	2	114250-53400	SHIM SET	3							
20	1	129150-59120	RETAINER, PIPE	1							
23	2	129150-59131	BOLT, M4X14	2							
24	1	129100-59912	PIPE ASSY, INJECTION	1							
28	1	129100-59922	PIPE ASSY, INJECTION	1							
32	1	129100-59932	PIPE ASSY, INJECTION	1							
36	1	124766-59050	CLIP, HOSE 12	2							
37	1	124066-59100	CLIP, HOSE 8	7							
38	1	121250-59550	PIPE, FUEL D8X120	2							
39	1	119840-59560	PIPE, FUEL RETURN	1							
40	1	119840-59570	JOINT	1							
41	1	129150-59580	CAP	1							
42	1	129255-59580	PIPE, FUEL	1							
42-1	1	105025-59750	PIPE, FUEL	1							R
(A=E/# 32121)											
43	1	129100-59951	VALVE ASSY, CHECK	1							
51	1	23414-120000	GASKET, 12X1.0	2							A

Remarks
(A) THESE PART ARE ALSO SOLD BY
FIG 17.REF NO.1
(GASKET SET.P/# 729002-92610).

Fig.14. FUEL PIPE

(A)=3TNE84-3CY
(B)=
(C)=

(D)=
(E)=
(F)=



No.	Lev.	Parts No.	Description	Q'ty						I	R
				(A)	(B)	(C)	(D)	(E)	(F)		
1	1	129100-55621	FILTER ASSY, FUEL	1							
3	2	129100-55670	LEVER	1							
4	2	104200-55321	VALVE, TAPER	1							
5	2	104200-55330	SPRING, VALVE	1							
6	2	104200-55750	SCREW, M4	1							
7	2	24311-240100	O-RING, 1AP10A	1							
8	2	129100-55680	CUP, STRAINER	1							
9	2	129100-55690	RING, RETAINING	1							
10	2	24321-000650	O-RING, 1AG65.0	1							
11	2	129100-55650	ELEMENT	1							
12	2	129100-55700	SPRING	1							
13	2	24311-000160	O-RING, 1AP16.0	1							
14	1	26014-080702	BOLT, M8X 70	1							
15	1	129335-55700	SEPARATOR ASSY,WATER	1							
16	2	104200-55321	VALVE, TAPER	1							
17	2	104200-55330	SPRING, VALVE	1							
18	2	104200-55341	HANDLE	1							
19	2	124064-55510	COVER	1							
20	2	102103-55520	O-RING	1							
21	2	110250-55610	RING, RETAINING	1							
22	2	121257-55720	SPRING	1							
23	2	121257-55731	FLOAT	1							
25	2	101720-55750	PLUG, 6	2							
26	2	104200-55750	SCREW, M4	1							
27	2	171081-55910	SCREEN	1							
28	2	23418-060000	GASKET, 6X1.0	2							
29	2	24311-240100	O-RING, 1AP10A	1							
30	1	26014-080702	BOLT, M8X 70	1							
31	1	103854-39140	BOLT, PIPE JOINT	1							
32	1	101304-59020	JOINT, PIPE 12	1							
33	1	124766-59050	CLIP, HOSE 12	2							
34	1	124766-59050	CLIP, HOSE 12	2							
35	1	104200-59170	GASKET, 12	2							
35-1	1	22190-120002	WASHER, SEAL 12	2							N A
		(A=E/#12090)									
36	1	129150-59511	PIPE, FUEL	1							
37	1	129255-59580	PIPE, FUEL	1							
37-1	1	105025-59750	PIPE, FUEL	1							R
		(A=E/# 32121)									
38	1	124066-59100	CLIP, HOSE 8	1							W
		(A=E/XXX)									
39	1	129150-59580	CAP	1							W
		(A=E/XXX)									

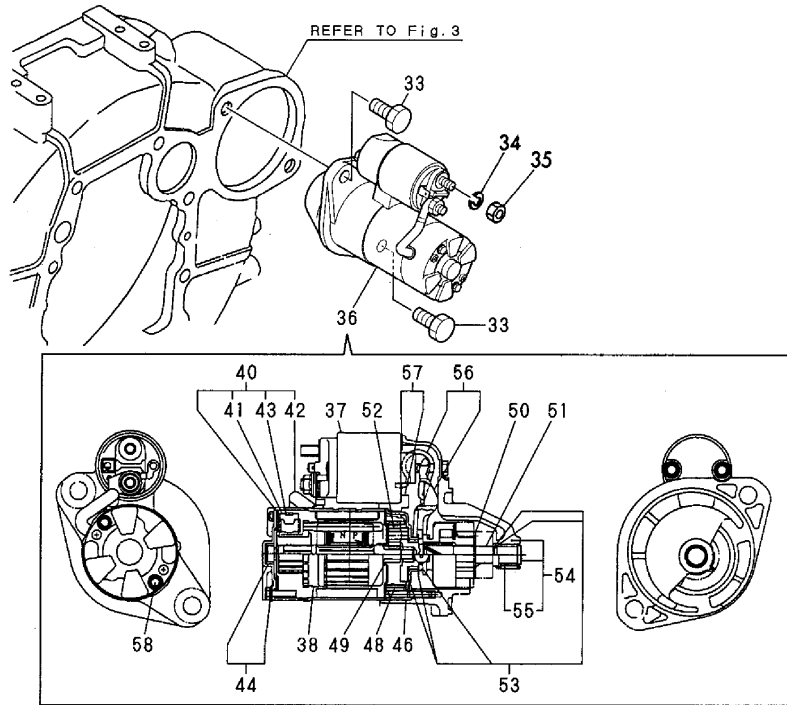
Remarks
(A) THESE PART ARE ALSO SOLD BY
FIG 17.REF NO.1
(GASKET SET.P/# 729002-92610).

Fig.15. STARTING MOTOR

(A)=3TNE84-3CY
(B)=
(C)=

(D)=
(E)=
(F)=

Fig. 15 スターティングモータ
STARTING MOTOR



No.	Lev.	Parts No.	Description	Qty						I	R
				(A)	(B)	(C)	(D)	(E)	(F)		
1	1	171008-77010	STARTER, S114-483	1							Z
		(A=E/#37100)									
2	2	171008-77400	ARMATURE ASSY	1							
3	3	171008-77410	BEARING	1							
3-1	3	X2130350900	BEARING, BALL	1							N
		(A=E/#16523)									
4	3	171008-77420	BEARING	1							
4-1	3	X2114255110	BEARING, BALL	1							N
		(A=E/#16523)									
6	2	171008-77440	COIL ASSY, FIELD	1							
7	3	171008-77450	SCREW	4							
8	3	171008-77460	BRUSH (+)	2							
9	2	171008-77470	HOLDER ASSY, BRUSH	1							
10	3	171008-77480	BRUSH (-)	2							
11	3	171008-77490	SPRING, BRUSH	4							
12	2	171008-77500	COVER, REAR	1							
13	2	171008-77510	CASE, GEAR	1							
14	2	171008-77520	HOUSING, CENTER	1							
15	2	171008-77530	SWITCH, MAGNETIC	1							
15-1	2	X2114T71010	SWITCH ASSY	1							N
		(A=E/#16523)									
16	2	171008-77540	LEVER SET	1							
19	2	171008-77571	COVER KIT, DUST	1							
20	2	171008-77640	BOLT, THROUGH	2							
21	2	171008-77650	PINION ASSY	1							
22	3	171008-77660	SHAFT	1							
23	3	171008-77670	STOPPER SET	1							
27	3	171008-77720	CLUTCH ASSY	1							
27-1	3	X211495550	CLUTCH ASSY	1							N
		(A=E/#16523)									
28	4	171008-77730	BEARING, BALL	1							
28-1	4	X2114955020	BEARING, BALL	1							N
		(A=E/#16523)									
29	4	171008-77740	BEARING	1							
29-1	4	X2240410100	BEARING, BALL	1							N
		(A=E/#16523)									
30	2	171008-77750	COVER	1							
31	2	26106-060322	BOLT, M6X 32 PLATED	2							
32	2	26106-060402	BOLT, M6X 40 PLATED	3							
33	1	26116-120252	BOLT, M12X 25 PLATED	2							
34	1	22217-080000	WASHER, SPRING 8	1							
35	1	26756-080002	NUT, LOCK M8	1							
36	1	129608-77010	STARTER, S114-817A	1							W
		(A=E/# 37100)									
37	2	124298-77020	SWITCH, MAGNETIC	1							
38	2	129698-77100	ARMATURE ASSY	1							
40	2	129698-77120	HOLDER ASSY, BRUSH	1							
41	3	129698-77130	BRUSH	2							
42	3	129698-77140	BRUSH SET	1							
43	3	129698-77150	SPRING, BRUSH	4							
44	2	129698-77160	COVER ASSY	1							

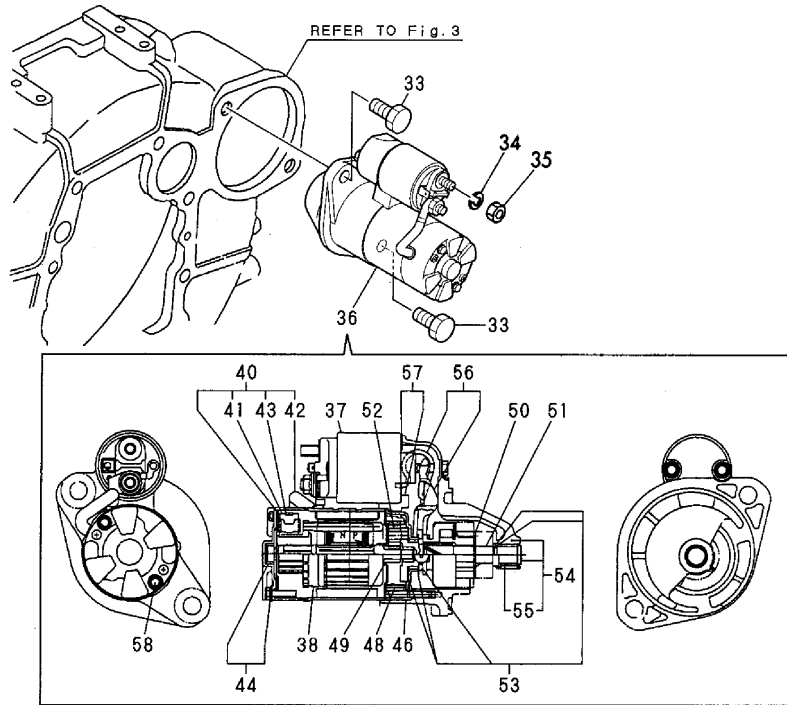
旧形
PREVIOUS

Fig.15. STARTING MOTOR

(A)=3TNE84-3CY
(B)=
(C)=

(D)=
(E)=
(F)=

Fig. 15 スターティングモータ
STARTING MOTOR



No.	Lev.	Parts No.	Description	Qty						I	R
				(A)	(B)	(C)	(D)	(E)	(F)		
46	2	129698-77180	BRACKET	1							
48	2	129698-77200	GEAR, INTERNAL	1							
49	2	129698-77210	BRACKET	1							
50	2	129698-77220	PINION ASSY	1							
51	2	129698-77230	SHAFT	1							
52	2	129698-77240	GEAR	3							
53	2	129698-77250	WASHER SET	1							
54	2	129698-77260	CASE ASSY	1							
55	3	X2114535200	METAL, STARTER	1							
56	2	129698-77270	LEVER SET, SHIFT	1							
57	2	129698-77280	COVER KIT	1							
58	2	124195-77770	BOLT, THROUGH	2							

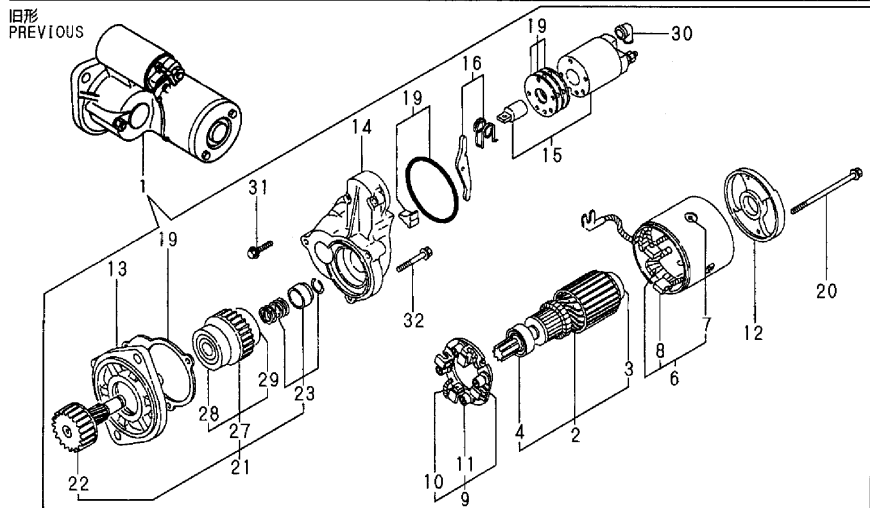
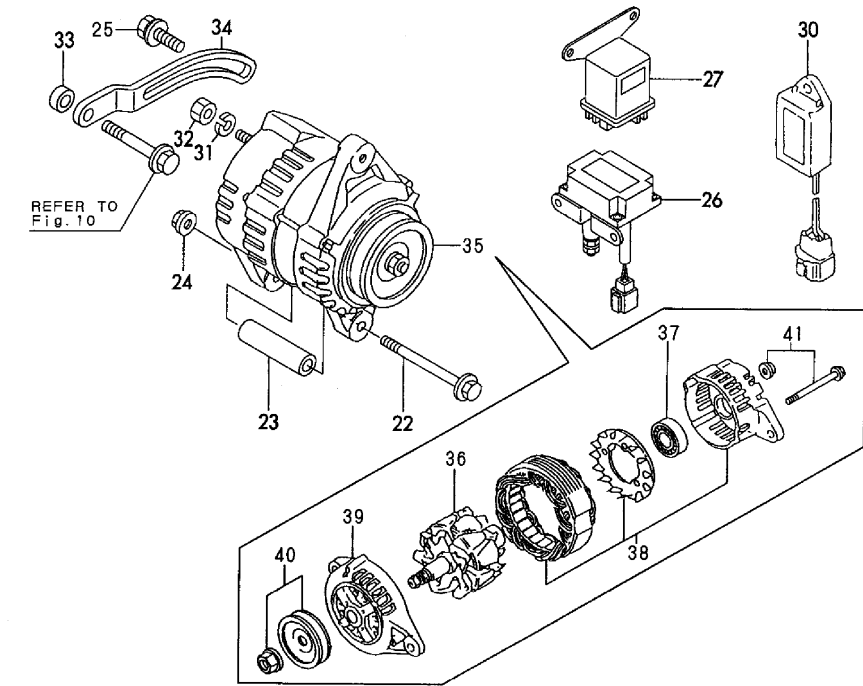


Fig.16. GENERATOR

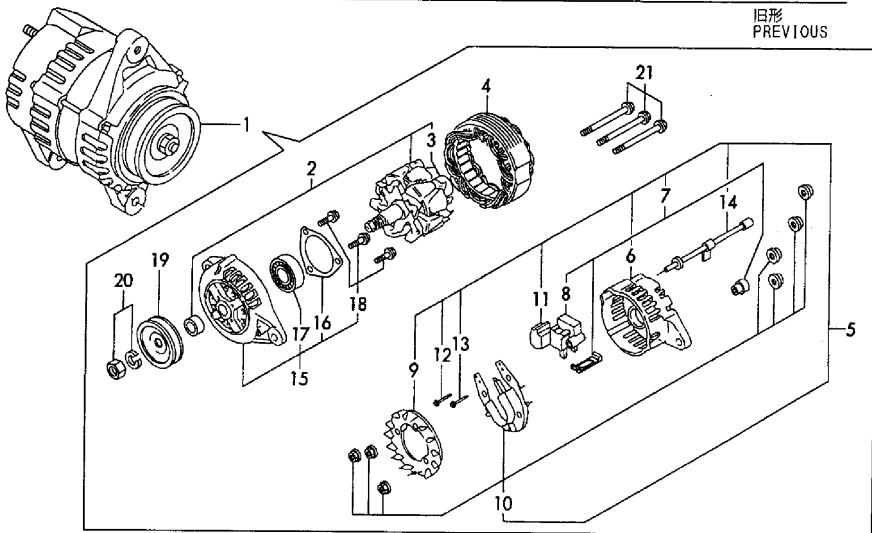
(A)=3TNE84-3CY
(B)=
(C)=

(D)=
(E)=
(F)=

Fig. 16 ジェネレータ
GENERATOR



旧形
PREVIOUS



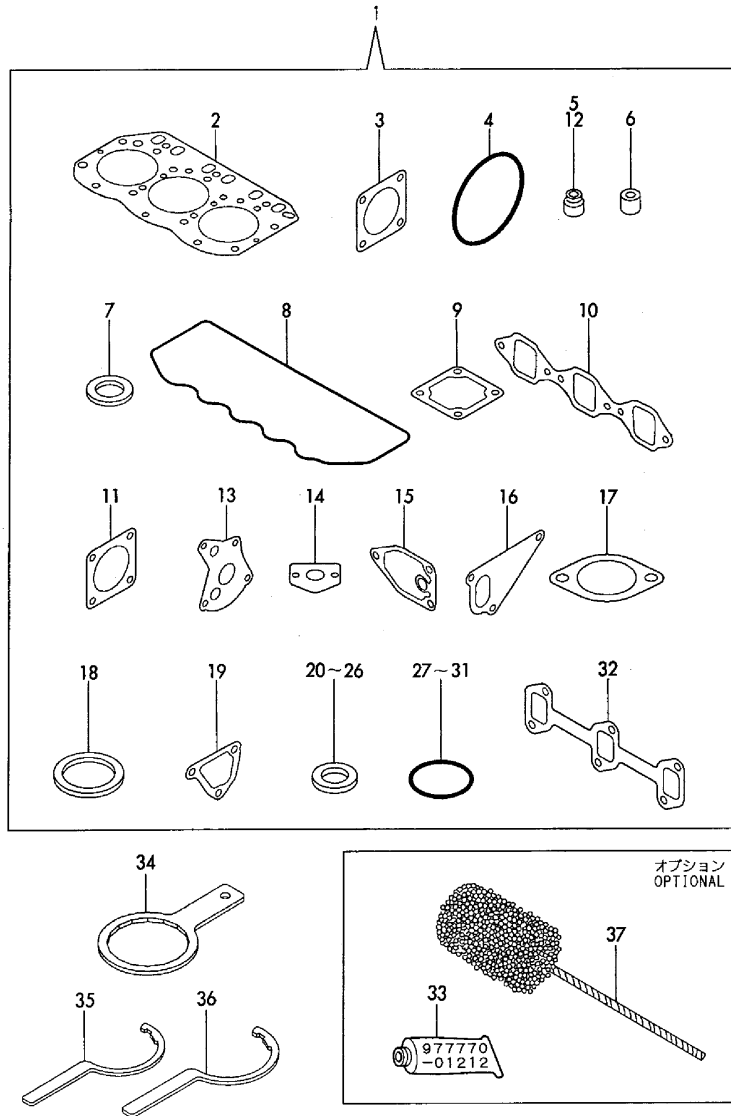
No.	Lev.	Parts No.	Description	Q'ty						I	R
				(A)	(B)	(C)	(D)	(E)	(F)		
1	1	119836-77200	GENERATOR	1							Z
(A=E/# 37100)											
2	2	119836-77700	ROTOR ASSY	1							
3	3	119836-77850	BALL BEARING	1							
4	2	119836-77710	STATOR ASSY	1							
5	2	119836-77721	COVER ASSY, REAR	1							
6	3	119836-77730	COVER, REAR	1							
7	3	119836-77741	BRUSH ASSY,REGULATOR	1							
8	4	119836-77750	BRUSH ASSY	1							
9	3	119836-77760	GUIDE, FAN SIDE	1							
10	3	119836-77770	DIODE ASSY	1							
11	3	119836-77780	CONDENSER	1							
12	3	119836-77871	BOLT (1)	1							
13	3	119836-77880	BOLT (2)	1							
14	3	119836-77890	WIRE ASSY, LEAD	1							
15	2	119836-77790	COVER ASSY, FRONT	1							
16	3	119836-77800	RETAINER, BEARING	1							
17	3	119836-77840	BALL BEARING	1							
18	3	119836-77860	SCREW KID	1							
19	2	119836-77810	PULLEY	1							
20	2	119836-77820	NUT ASSY, PULLEY	1							
21	2	119836-77830	BOLT, THROUGH	1							
22	1	129136-77250	BOLT M 8X105	1							
22-1	1	129136-77251	BOLT, M8X110	1							N
(A=E/# 37100)											
23	1	119820-77340	PIECE, DISTANCE	1							
24	1	26366-080002	NUT, M8	1							
25	1	26014-080352	BOLT, M8X 35	1							
26	1	129136-77100	RELAY, SAFETY	1							
27	1	119650-77910	RELAY ASSY, GLOW	1							
30	1	119632-77920	TIMER	1							
31	1	22117-050000	WASHER, 5	1							
32	1	26716-050002	NUT, M5	1							
33	1	106500-44810	SPACER	1							
34	1	129136-77350	ADJUSTER	1							
35	1	129612-77230	GENERATOR	1							W
(A=E/# 37100)											
36	2	129612-77700	ROTOR ASSY	1							
37	2	129612-77710	BEARING, BALL	1							
38	2	129612-77720	COVER ASSY	1							
39	2	129612-77730	BRACKET ASSY, FILTER	1							
40	2	129612-77740	PULLEY	1							
41	2	129612-77750	SCREW KIT	1							

Fig.17. GASKET SET(OPTIONAL) & TOOL

(A)=3TNE84-3CY
(B)=
(C)=

(D)=
(E)=
(F)=

Fig. 17 バックインセット (オプション) & 工具
GASKET SET (OPTIONAL) & TOOL



No.	Lev.	Parts No.	Description	Q'ty						I	R
				(A)	(B)	(C)	(D)	(E)	(F)		
1	1	729002-92610	GASKET SET	1							1
2	2	129002-01331	GASKET, HEAD	1							
3	2	124240-01883	GASKET	1							
4	2	121850-51960	O-RING	1							
5	2	124460-11340	SEAL, VALVE STEM	3							
6	2	119625-11871	PROTECTOR, NOZZLE	3							
6-1	2	119625-11870	PROTECTOR, NOZZLE	3							N
		(A=E/# 37100)									
7	2	119625-11880	SEAT, NOZZLE	3							
8	2	129150-11310	GASKET, BONNET	1							
9	2	129150-77511	GASKET	1							
10	2	129150-12111	GASKET, MANIFOLD	1							
11	2	124701-11911	GASKET, SILENCER	1							
12	2	121400-11340	SEAL, VALVE STEM	3							
13	2	129150-32020	GASKET, PUMP	1							
14	2	129150-35041	GASKET	1							
15	2	129150-35111	GASKET	1							
16	2	129100-42020	GASKET, WATER PUMP	1							
17	2	129795-49551	GASKET	1							
18	2	129150-49811	GASKET, THERMOSTAT	1							
19	2	129100-49840	GASKET	1							
20	2	104200-59170	GASKET, 12	2							
20-1	2	22190-120002	WASHER, SEAL 12	2							N
		(A=E/#12090)									
21	2	129155-52050	GASKET	1							
22	2	22190-080002	WASHER, SEAL 6	5							
23	2	23414-080000	GASKET, 8X1.0	2							
24	2	23414-100000	GASKET, 10X1.0	2							
25	2	23414-120000	GASKET, 12X1.0	2							
26	2	124465-44950	GASKET, 16	2							
27	2	24311-000120	O-RING, 1AP12.0	3							
28	2	24311-000160	O-RING, 1AP16.0	2							
29	2	24311-000320	O-RING, 1AP32.0	2							
30	2	24341-000240	O-RING, 1AS24.0	1							
31	2	24341-000500	O-RING, 1AS50.0	1							
32	2	129150-13110	GASKET	1							
33	1	977770-01212	GASKET, LIQUID	1							1
34	1	119640-92750	WRENCH, FILTER 80	1							
35	1	171051-92760	WRENCH, STRAINER	1							
36	1	171340-92760	WRENCH, FILTER	1							
37	1	129400-92420	HONE	1							1

Remarks
(1) OPTIONAL PART.

Parts No. Index

Parts No.	Fig. No.	Ref. No.
101304-59020	14	32
101720-55750	14	25
102103-55520	14	20
103854-39140	14	31
103954-13201	6	13
104200-55321	14	4
		16
104200-55330	14	5
		17
104200-55341	14	18
104200-55750	14	6
		26
104200-59170	14	35
	17	20
105025-59750	13	42 -1
	14	37 -1
		33
106500-44810	16	33
110250-55610	14	21
114250-53080	13	5
114250-53120	13	9
114250-53130	13	10
114250-53140	13	11
114250-53210	13	12
114250-53400	13	13
119233-77930	12	78
119233-77931	12	78 -1
119620-01750	3	3
119625-11870	4	23 -1
	17	6 -1
119625-11871	4	23
	17	6
119625-11880	4	24
	17	7
		25
119625-11900	4	25
119632-77920	16	30
119640-01640	3	8
119640-12610	5	11
119640-92750	17	34
119650-77910	16	27
119660-61901	12	56
119820-77340	16	23
119836-77200	16	1
119836-77700	16	2
119836-77710	16	4
119836-77721	16	5
119836-77730	16	6
119836-77741	16	7
119836-77750	16	8
119836-77760	16	9
119836-77770	16	10

Parts No.	Fig. No.	Ref. No.
119836-77780	16	11
119836-77790	16	15
119836-77800	16	16
119836-77810	16	19
119836-77820	16	20
119836-77830	16	21
119836-77840	16	17
119836-77850	16	3
119836-77860	16	18
119836-77871	16	12
119836-77880	16	13
119836-77890	16	14
119840-12210	5	4
119840-59560	13	39
119840-59570	13	40
119865-21600	8	14
120130-11860	4	9
121023-01550	2	27
121111-21501	8	11
121120-12541	5	7
121120-12561	5	8
121120-12571	5	9
121120-12901	5	12
121120-13590	6	3
121250-59550	13	38
121252-39450	9	36
121257-55720	14	22
121257-55731	14	23
121400-11340	4	20
	17	12
121450-01560	2	2
121450-42450	10	40
121520-34810	9	17
121550-23200	8	27
121750-59890	4	2
121850-11860	10	1
121850-21680	8	10
121850-51960	2	12
	17	4
122117-51560	11	47
122710-51090	11	7
124064-55510	14	19
124066-59100	13	37
	14	38
124101-49530	10	20
124160-01751	2	7
	4	54
124160-01910	1	4
124160-11360	4	52
124160-39140	9	28

Parts No.	Fig. No.	Ref. No.
124195-77770	15	58
124240-01871	2	8
		24
124240-01883	2	9
		25
	17	3
124298-77020	15	37
124460-11340	4	21
	17	5
124465-44950	10	41
	17	26
124550-51350	11	29
124550-51370	11	30
124550-59820	9	33
124550-66370	12	58
124574-44761	10	18
124701-11911	6	2
	17	11
124736-07900	4	4
124766-59050	13	36
	14	33
		34
124770-11770	10	23
124950-51190	11	14
129001-02800	1	14
129001-11700	4	6
129001-21000	8	1
129001-32001	9	1
129001-35300	9	24
129002-01331	1	21
	17	2
129002-22081	8	15
129002-22500	8	17
129002-22900	8	30
129002-22950	8	32
129052-61050	12	3
129052-61060	12	4
129052-61070	12	5
129052-61390	12	30
129052-61500	12	31
129052-61540	12	46
129100-01520	2	1
129100-01580	3	1
		14
	8	2
129100-01590	2	4
129100-01640	3	15
129100-01730	3	6
129100-11100	4	15
129100-11110	4	16

Parts No.	Fig. No.	Ref. No.
129100-11350	4	42
129100-13110	6	9
129100-23910	8	26
129100-25061	7	9
129100-35301	9	19
129100-42002	10	2
129100-42003	10	2 -1
129100-42020	10	13
	17	16
129100-49800	10	22
129100-49820	10	25
129100-49830	10	26
129100-49840	10	31
	17	19
129100-52100	11	91
129100-55621	14	1
129100-55650	14	11
129100-55670	14	3
129100-55680	14	8
129100-55690	14	9
129100-55700	14	12
129100-59912	13	24
129100-59922	13	28
129100-59932	13	32
129100-59951	13	43
129100-61400	12	16
129100-61440	12	75
129100-61650	12	76
129111-13670	6	18
129111-13680	6	19
129120-42350	10	16
129120-77501	5	27
129122-12100	5	1
129128-21590	8	12
129129-14580	7	3
129130-13560	6	15
129130-13650	6	16
129130-13660	6	17
129132-12561	5	14
129132-12570	5	15
129132-12581	5	13
129132-12800	5	16
129132-12810	5	19
129132-12850	5	17
129132-12890	5	21
129132-12900	5	22
129132-49050	10	38
129136-01780	3	7
129136-12510	5	5
129136-12530	5	6

Parts No. Index

Parts No.	Fig. No.	Ref. No.
129136-12590	5	10
129136-12610	5	30
129136-13530	6	14
129136-34800	9	16
129136-66852	9	38
129136-77100	16	26
129136-77250	16	22
129136-77251	16	22 -1
129136-77350	16	34
129150-01200	1	20
129150-01580	2	3
129150-01870	2	30
129150-01881	2	31
129150-02020	1	6
129150-02450	7	4
129150-02870	1	22
129150-02930	1	17
129150-02940	1	25
129150-03020	4	44
129150-03070	4	45
129150-03080	4	46
129150-03100	2	11
	4	1
129150-11230	4	34
129150-11280	4	29
129150-11290	4	30
129150-11310	4	48
	17	8
129150-11370	4	22
129150-11750	4	36
129150-11810	4	11
129150-12111	5	2
	17	10
129150-13110	6	10
	17	32
129150-14101	7	6
129150-14200	7	1
129150-14400	7	2
129150-21200	8	4
129150-23600	8	28
129150-23610	8	36
129150-25101	7	10
129150-25900	11	107
129150-25920	7	13
129150-32020	9	14
	17	13
129150-35041	9	18
	17	14
129150-35101	9	21
129150-35111	9	22

Parts No.	Fig. No.	Ref. No.
129150-35111	17	15
129150-35151	9	23
129150-35350	9	25
129150-39450	9	29
129150-49360	10	42
129150-49811	10	30
	17	18
129150-59120	13	20
129150-59131	13	23
129150-59511	14	36
129150-59580	13	41
	14	39
129150-77511	5	28
	17	9
129155-11241	4	26
129155-11260	4	27
129155-11270	4	28
129155-49800	10	29
129155-51020	11	3
129155-51050	11	5
129155-51060	11	6
129155-51140	11	11
129155-51180	11	13
129155-51200	11	15
129155-51270	11	22
129155-51280	11	23
	12	1
129155-51320	11	27
129155-51340	11	28
129155-51370	11	31
129155-51380	11	32
129155-51390	11	33
129155-51400	11	34
129155-51410	11	35
129155-51420	11	36
129155-51450	11	37
129155-51500	11	42
129155-51521	11	43
129155-51530	11	44
129155-51540	11	45
129155-51550	11	46
129155-51570	11	49
129155-51580	11	50
129155-51591	11	51
129155-51600	11	52
129155-51700	11	71
129155-51710	11	72
129155-51750	11	73
129155-51760	11	74
129155-51790	11	75

Parts No.	Fig. No.	Ref. No.
129155-51930	11	77
129155-51940	11	78
129155-52050	11	90
	17	21
129155-61120	12	6
129155-61130	12	7
129155-61140	12	8
129155-61201	12	9
129155-61341	12	13
129155-61350	12	14
129155-61360	12	15
129155-61430	12	19
129155-61450	12	23
129155-61460	12	24
129155-61470	12	80
129155-61480	12	25
129155-61830	12	55
129155-61950	12	57
129156-51910	11	76
129202-22300	8	21
129211-51040	11	4
129255-59580	13	42
	14	37
129335-55700	14	15
129400-01520	2	1 -1
129400-92420	17	37
129486-01670	3	18 -1
129503-53000	13	2
129505-51300	11	24
129506-51100	11	8
129608-77010	15	36
129612-01600	3	2 -1
129612-77230	16	35
129612-77700	16	36
129612-77710	16	37
129612-77720	16	38
129612-77730	16	39
129612-77740	16	40
129612-77750	16	41
129698-77100	15	38
129698-77120	15	40
129698-77130	15	41
129698-77140	15	42
129698-77150	15	43
129698-77160	15	44
129698-77180	15	46
129698-77200	15	48
129698-77210	15	49
129698-77220	15	50
129698-77230	15	51

Parts No.	Fig. No.	Ref. No.
129698-77240	15	52
129698-77250	15	53
129698-77260	15	54
129698-77270	15	56
129698-77280	15	57
129795-01780	3	17
129795-01800	2	6
129795-01950	2	10
129795-02411	1	9
129795-11120	4	17
129795-11180	4	18
129795-21661	8	9
129795-49551	10	21
	17	17
171008-77010	15	1
171008-77400	15	2
171008-77410	15	3
171008-77420	15	4
171008-77440	15	6
171008-77450	15	7
171008-77460	15	8
171008-77470	15	9
171008-77480	15	10
171008-77490	15	11
171008-77500	15	12
171008-77510	15	13
171008-77520	15	14
171008-77530	15	15
171008-77540	15	16
171008-77571	15	19
171008-77640	15	20
171008-77650	15	21
171008-77660	15	22
171008-77670	15	23
171008-77720	15	27
171008-77730	15	28
171008-77740	15	29
171008-77750	15	30
171051-01921	1	5
171051-92760	17	35
171056-49120	10	37
171081-55910	14	27
171301-01600	3	2
171340-21650	8	8
171340-92760	17	36
171353-61550	12	81
171353-61710	12	77
171440-44740	10	17
174307-51170	11	12
174307-51560	11	48

Parts No. Index

Parts No.	Fig. No.	Ref. No.
174307-51700	12	32
194440-51620	9	37
194990-22050	2	32
	6	1
22117-040000	12	59
22117-050000	16	31
22137-100000	6	5
22190-060002	12	60
22190-080002	2	13
		14
		34
	17	22
22190-100002	12	61
22190-120002	12	62
	14	35 -1
	17	20 -1
22190-160002	11	88
22190-220002	3	10
22217-050000	11	79
22217-060000	11	80
22217-080000	15	34
22217-100000	6	6
22217-120000	11	108
22252-000260	8	22
22287-120000	12	63
22351-040010	8	7
22351-050010	11	81
22351-060012	4	38
22372-040000	12	64
22512-070140	7	7
	8	5
23000-016000	10	39
23000-060000	5	23
23065-160800	4	3
23414-080000	9	34
	17	23
23414-100000	9	35
	17	24
23414-120000	13	51
	17	25
23418-060000	14	28
23871-010000	1	10
23871-030000	10	12
		27
23887-100002	12	65
24101-063034	11	82
24311-000120	4	53
	17	27
24311-000160	2	15
	9	26

Parts No.	Fig. No.	Ref. No.
24311-000160	14	13
	17	28
24311-000320	2	16
	4	55
	17	29
24311-240100	14	7
		29
24321-000650	14	10
24341-000160	11	83
24341-000240	2	28
	17	30
24341-000280	12	66
24341-000500	4	50
	17	31
25132-003700	10	15
25132-003800	10	15 -1
26014-060252	10	19
26014-080352	16	25
26014-080702	14	14
		30
26022-050102	11	84
26022-060162	11	85
26106-060102	12	67
		68
		69
26106-060122	2	29
26106-060142	5	24
	12	70
26106-060202	12	71
26106-060322	15	31
26106-060402	15	32
26106-080122	2	17
		26
	9	39
		40
26106-080142	4	5
	5	25
	7	8 -1
26106-080162	2	18
		19
	3	11
	4	51
	7	8
26106-080182	2	33
26106-080202	2	3 -1
	9	27
26106-080252	3	12
	4	39
	5	3
		26

Parts No.	Fig. No.	Ref. No.
26106-080252	10	32
		33
26106-080302	3	18
26106-080352	3	19
	5	29
	9	20
26106-080452	2	20
	3	13
		13 -1
	7	14
26106-080502	3	20
	4	40
	10	34
26106-080552	2	21
26106-080602	10	14
		35
26106-080652	10	36
26106-080802	6	11
26106-080852	2	22
26106-100652	6	7
26116-050302	11	86
26116-060162	10	28
26116-120252	15	33
26206-100252	3	4
26206-100302	3	5
26216-060202	4	13
26216-080802	6	12
26226-080182	4	37
26366-060002	4	41
26366-080002	2	23
	12	74
	16	24
26450-060252	9	15
26687-120002	12	79
26706-100002	6	8
26716-050002	16	32
26716-060002	11	87
26716-120002	11	109
26756-060002	12	72
26756-080002	15	35
26776-120002	12	73
27231-500000	1	11
27241-120000	1	12
27241-300000	1	13
27241-400000	4	14
27310-080001	4	19
719810-01500	2	4 -1
729002-01560	1	1
729002-92610	17	1
729212-51380	11	1

Parts No.	Fig. No.	Ref. No.
729402-11650	4	33
729402-23100	8	23
729503-53100	13	1
977770-01212	17	33
X2114255110	15	4 -1
X2114535200	15	55
X2114955020	15	28 -1
X211495550	15	27 -1
X2114T71010	15	15 -1
X2130350900	15	3 -1
X2240410100	15	29 -1